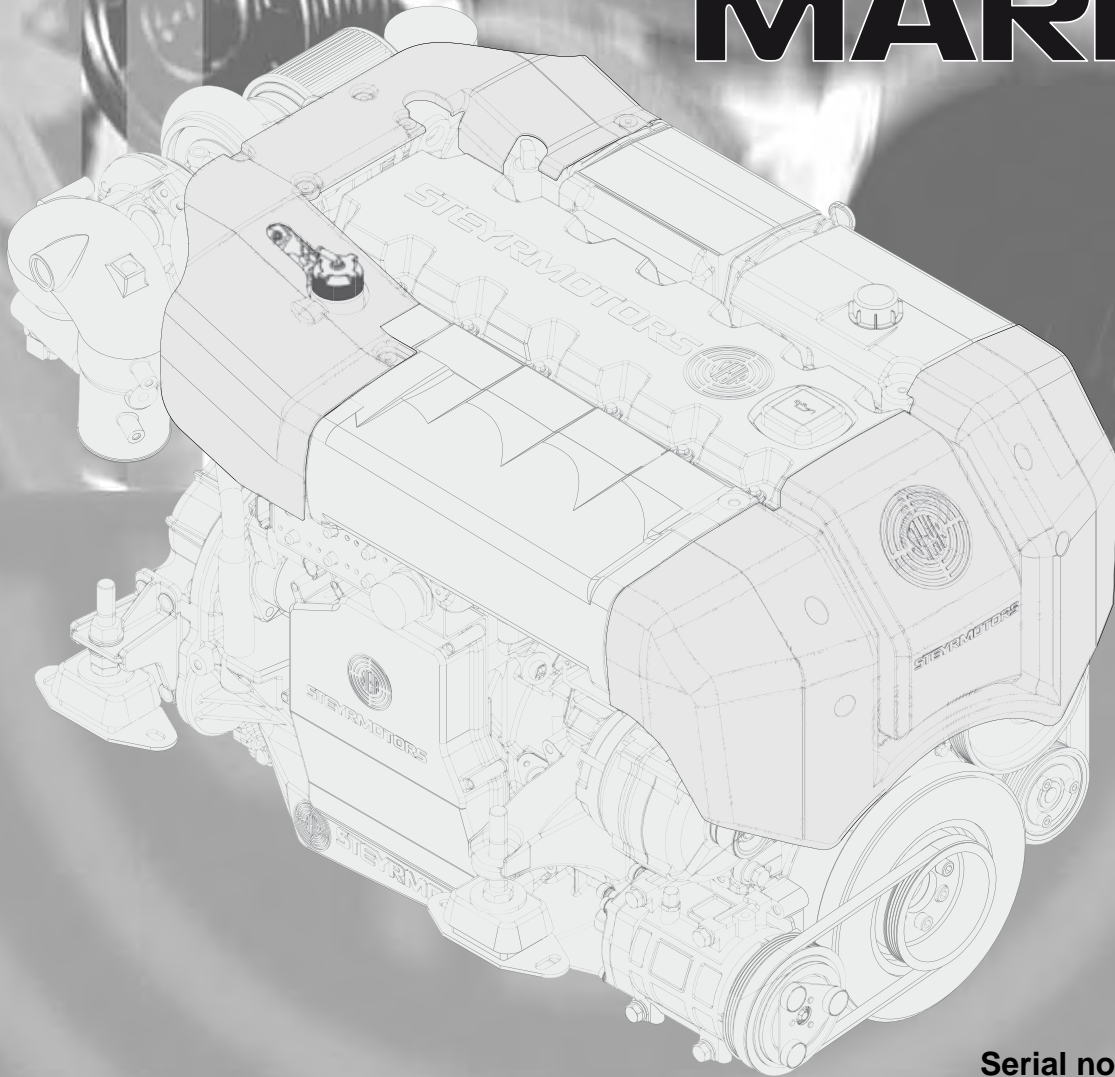


STEYR MARINE ENGINES

SE236 S36
MARINE



Serial no.: 682320001-->

SPARE PARTS CATALOGUE

P/N Z011845-0 4th Edition, November 2024



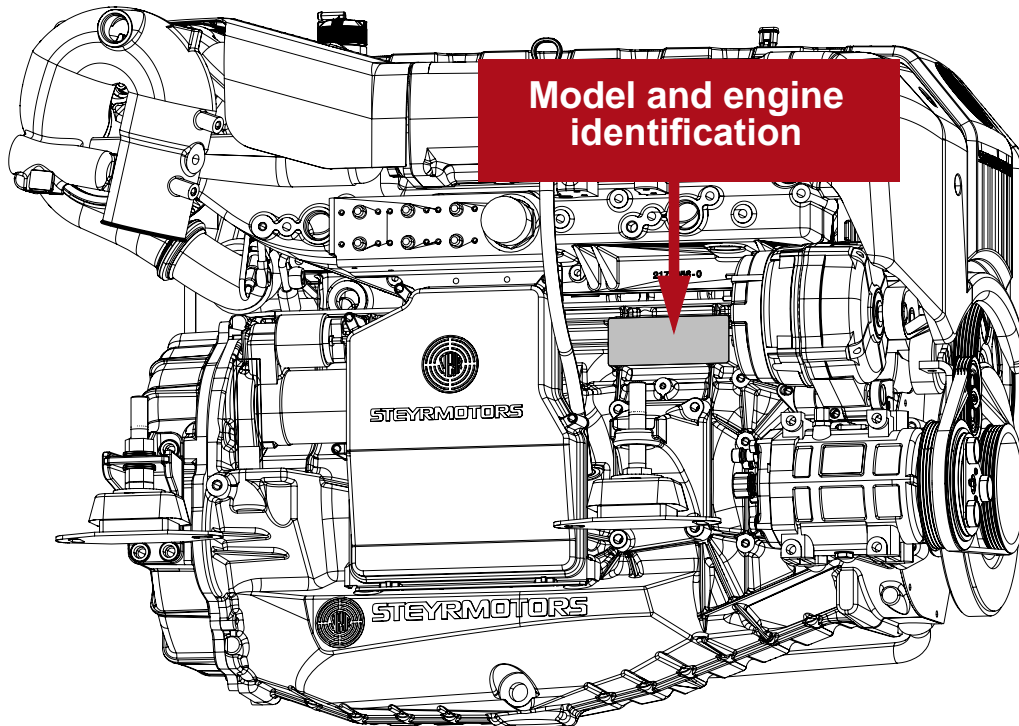
STEYRMOTORS



SE236 S36
MARINE

When ordering spare parts are always indicate model and engine number.
This will speed up delivery and help to avoid mistakes.

The primary model and engine number is located on the engine as illustrated. These numbers are required when requesting warranty and ordering parts.



Substituting automotive or generally supplied parts and hardware will often result in less than desired performance. For this reason, you should insist on the known quality of genuine STEYR Marine matched replacement parts, and should never use parts of unknown quality.

We reserve the right to make changes in design and execution which incorporate advances in technology!



SIGNS AND SYMBOLS

1



TA 0101

CYLINDERBLOCK

SE236 536
MARINE

2

01014084-0

3	4	5	6	8	9	7
Pos.	Part.-No.	Qty	Designation			Step
10	Z002676-0	1	SPARE PART COVER T-BELT →48226146			.2
20	2203711-1	1	COVER T-BELT, UPPER PART 48226147→			.2
30	9000538-0	3	HEX.FLANGE BOLT EN 1665-M6x50 A2-70			.2

- | | |
|--|---|
| <p>1 Table number</p> <p>2 Partlist number for whole table/
functional groups</p> <p>3 Positions number</p> <p>4 Spare part number</p> <p>5 Quantity for one engine respectively
assembly group</p> | <p>6 Designation and description of spare part</p> <p>7 Groupparts are marked with a circle around the
position number. Parts in the list below these,
which had an increased step number by one, will
be included at delivery.</p> <p>8 → 4..... Arrow before engine number:
Spare part UNTIL and LOWER</p> <p>9 4..... → Arrow past engine number:
Spare part FROM and HIGHER</p> |
|--|---|

ACROBAT

... back to "starting point"

... one page back

... one page forward

Pos.	Part.-No.	Qty	Unit	Designation	Step



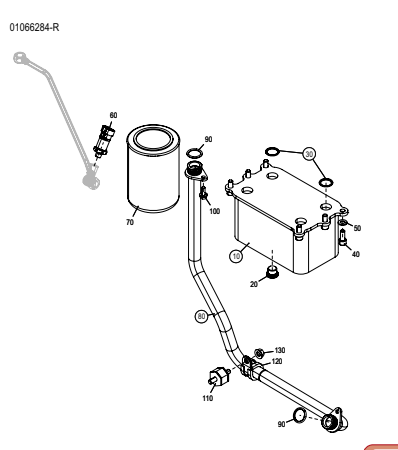

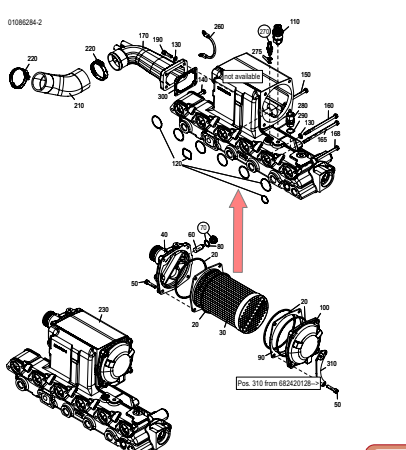

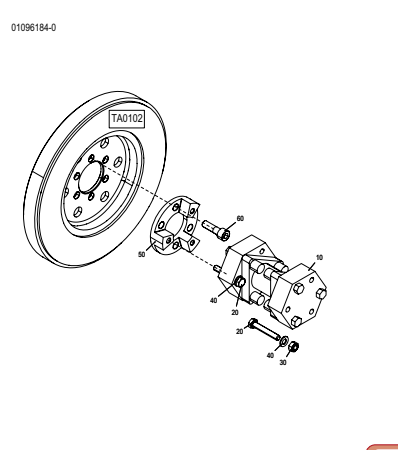

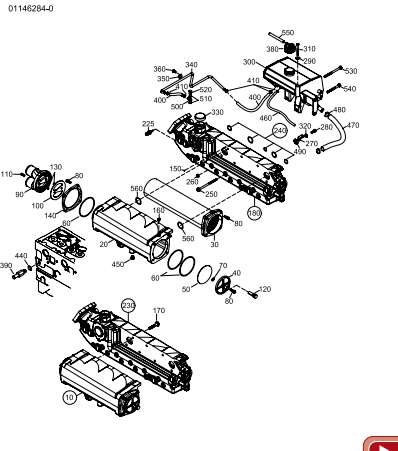

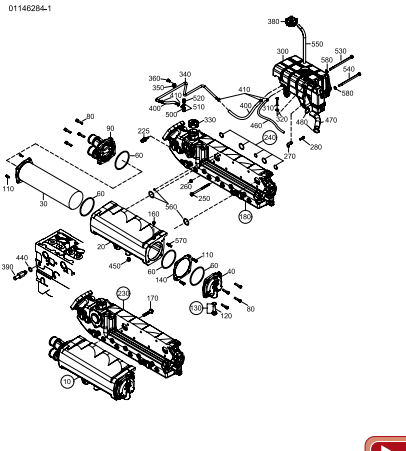

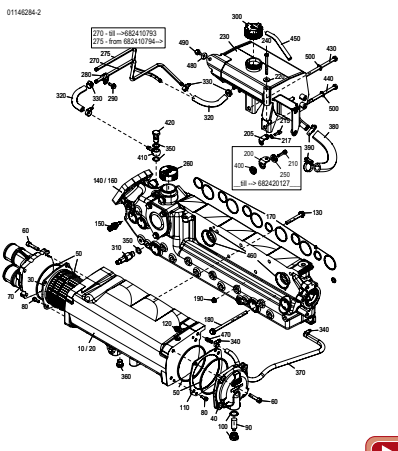

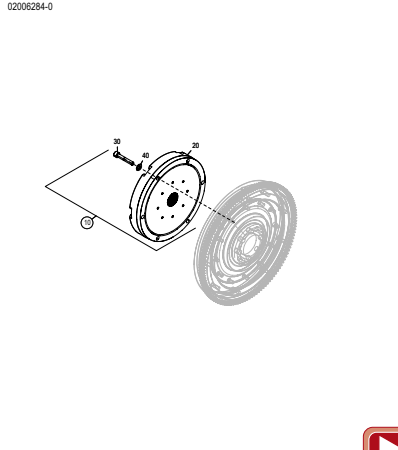

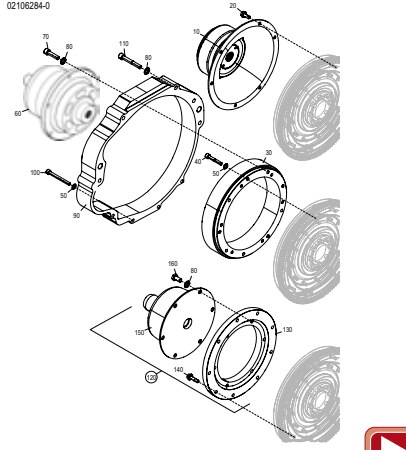

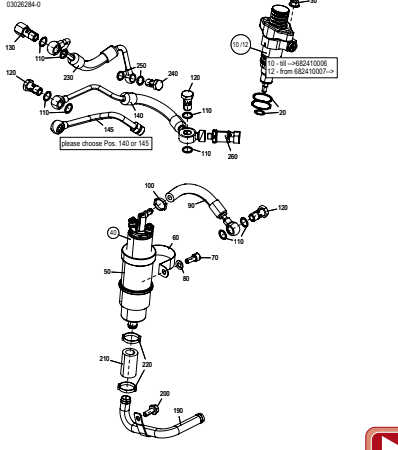



SE236 S36 MARINE

TABLE OF CONTENTS - SPARE PARTS CATALOGUE

<p>Page 10 MOUNT BRACKET, BELT GUARD, GASKET SET</p> <p>ENGINE SEAL KIT</p>	<p>Page 12 CRANKCASE</p>	<p>Page 14 CRANKSHAFT, BEARING, DAMPER</p>
<p>Page 16 FLYWHEEL, FLYWHEELHOUSING</p>	<p>Page 18 PISTON, RINGS AND PIN, CONNECTION ROD</p> <p>Get version from manual</p> <p>15 / 16 - from 6x420720-0</p> <p>10 / 20 - from 6x420720-0</p>	<p>Page 20 CAMSHAFT HOUSING</p> <p>210 - 18 - 682410305 212 - from 682410305-0</p> <p>180 - 18 - 682410305 182 - from 682410305-0</p> <p>250 - 18 - 682410305 252 - from 682410305-0</p>
<p>Page 24 OILPUMP, OILPIPE, OILPAN, OIL DIPSTICK</p>	<p>Page 26 OIL PUMP, SUPPORT RING</p>	<p>Page 28 OIL SEPARATOR, BLOWBY LINES</p>



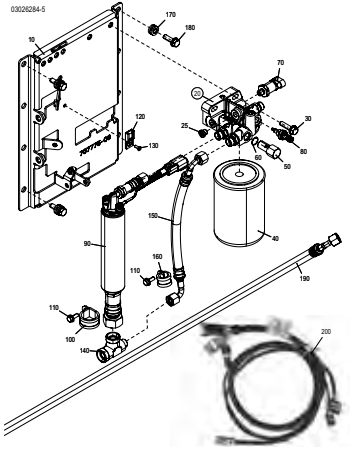

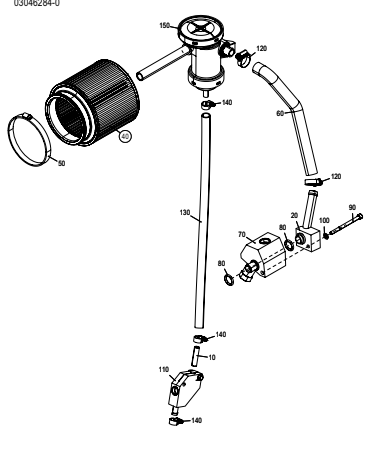

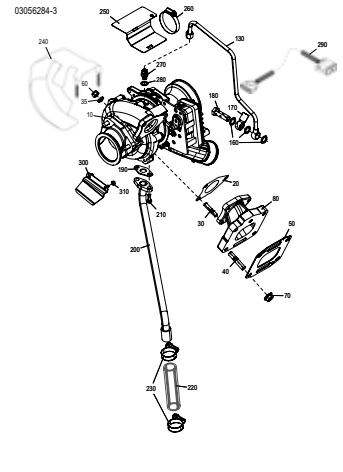

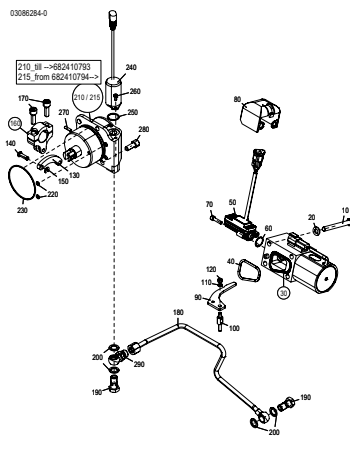

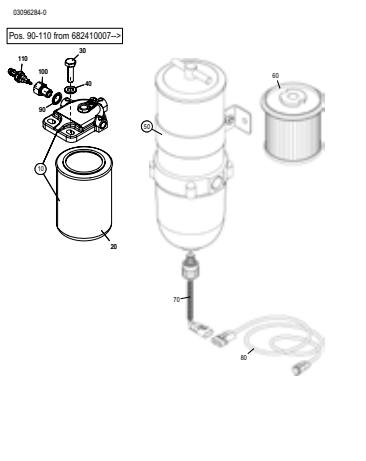

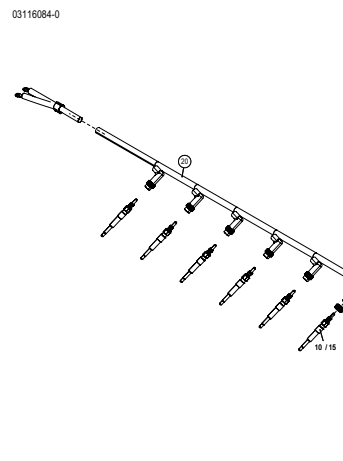

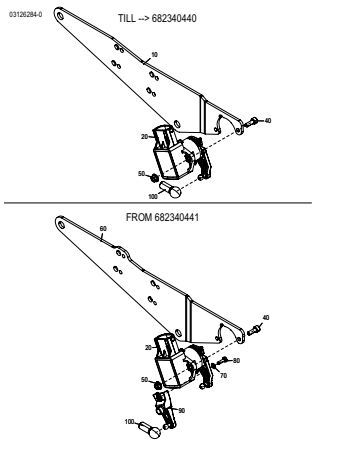

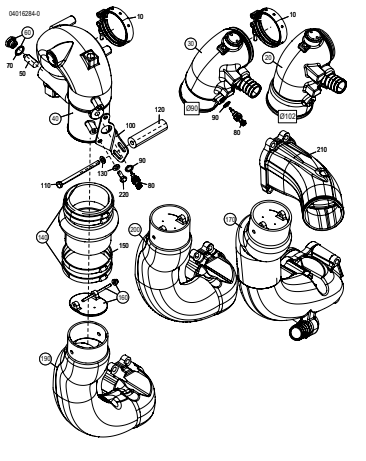

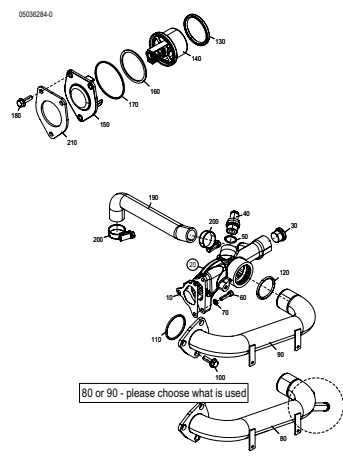

<p>Page 30 OIL COOLER, OILFILTER, OIL LINES</p>  <p>01066284-R</p> 	<p>Page 32 INTERCOOLER</p>  <p>01086284-2</p> 	<p>Page 34 POWER TAKE OFF FRONT</p>  <p>01096184-0</p> 
<p>Page 36 EXHAUST, HEAT EXCHANGER, GASKETS</p>  <p>01146284-0</p> 	<p>Page 40 EXHAUST, HEAT EXCHANGER, GASKETS</p>  <p>01146284-1</p> 	<p>Page 44 EXHAUST, HEAT EXCHANGER, GASKETS</p>  <p>01146284-2</p> 
<p>Page 48 TORSIONAL COUPLING</p>  <p>02006284-0</p> 	<p>Page 50 COUPLER</p>  <p>02106284-0</p> 	<p>Page 52 FUEL PUMP, UNIT INJECTOR, PIPE</p>  <p>03036284-0</p> 



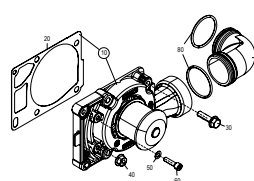

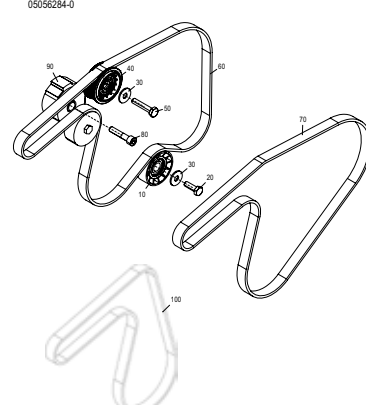

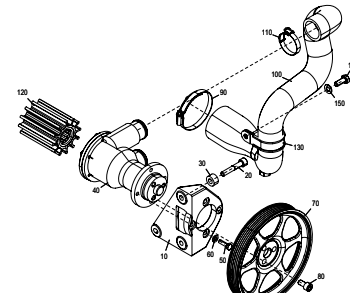

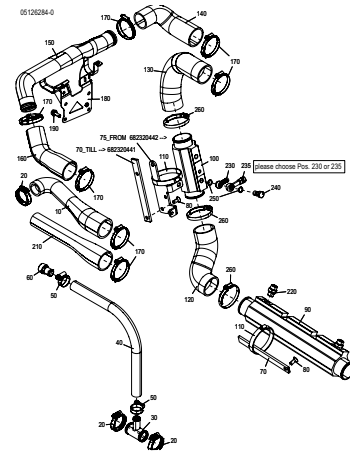

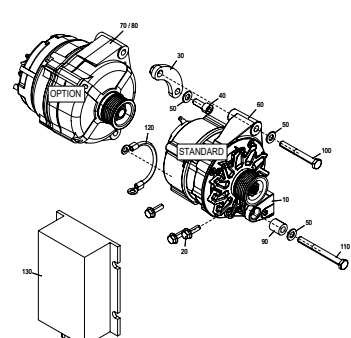

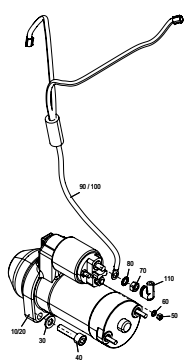

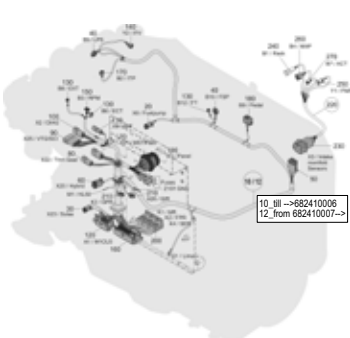

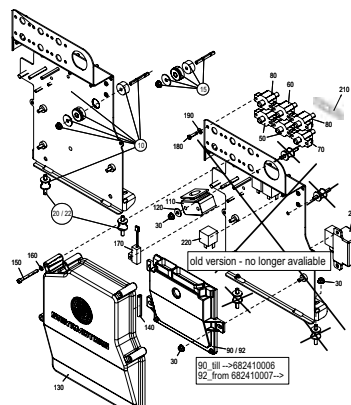

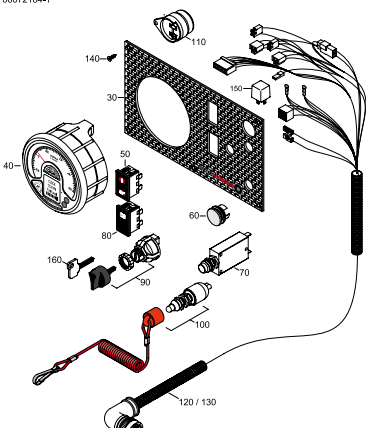



SE236 S36 MARINE

TABLE OF CONTENTS - SPARE PARTS CATALOGUE

<p>Page 54 FUEL SYSTEM EXTERNAL FROM 06/2024</p>  	<p>Page 56 AIRFILTER, INVERSIONVALVE SOLAS</p>  	<p>Page 58 TURBO</p>  
<p>Page 60 CONTR.SOLENOID, INJ. TIMING DEVICE</p>  	<p>Page 62 FUEL FILTER</p>  	<p>Page 64 GLOW PIN</p>  
<p>Page 66 POTENTIOMETER ACCELERATOR</p>  	<p>Page 68 HIGH RISER, EXHAUSTPIPE</p>  	<p>Page 70 WATERPIPE, THERMOSTAT</p>  

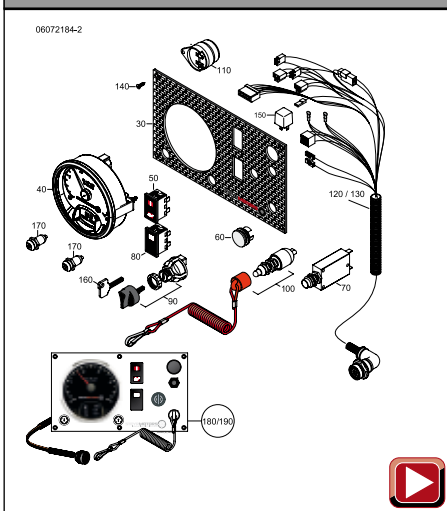


<p>Page 72</p> <p>WATERPUMP</p> <p>05046284-0</p>  	<p>Page 74</p> <p>DRIVE BELTS, PULLEYS, TENSIONER</p> <p>05056284-0</p>  	<p>Page 76</p> <p>RAW WATER PUMP</p> <p>05106284-0</p>  
<p>Page 78</p> <p>RAW WATER PIPES</p> <p>05120284-0</p>  <p>75 FROM 88230442 76 TLL → 88230441 please choose Pos. 230 or 231</p> 	<p>Page 80</p> <p>ALTERNATOR</p> <p>06016284-0</p>  	<p>Page 82</p> <p>STARTER</p> <p>06036284-0</p>  
<p>Page 84</p> <p>ENGINE HARNESS</p> <p>06056284-0</p>  <p>10, III → 682410006 12, from 682410007 →</p> 	<p>Page 86</p> <p>SECURITYSYSTEM, FUSES, ECU, E-BOX</p> <p>06066284-5</p>  <p>old version - no longer available</p> <p>90, III → 682410006 92, from 682410007 →</p> 	<p>Page 88</p> <p>INSTRUMENT PANEL (STAND. 2010-2013/08)</p> <p>06072184-1</p>  

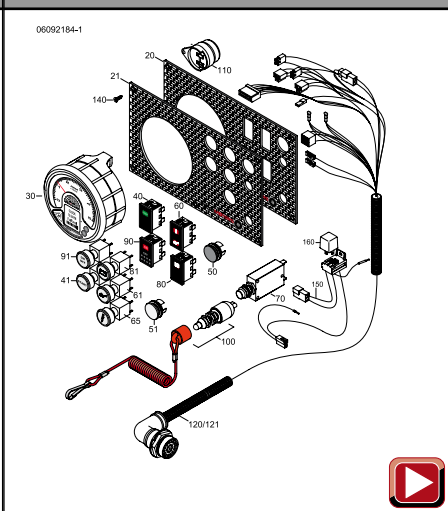




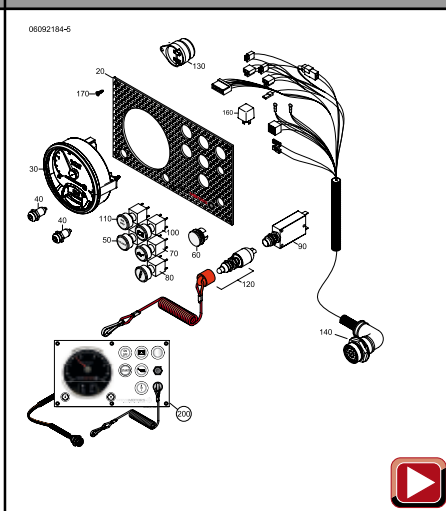
Page 90
INSTRUMENT PANEL (STANDA. FROM 2013/08)



Page 92
INSTRUMENT PANEL SOLAS (2010-2013/08)



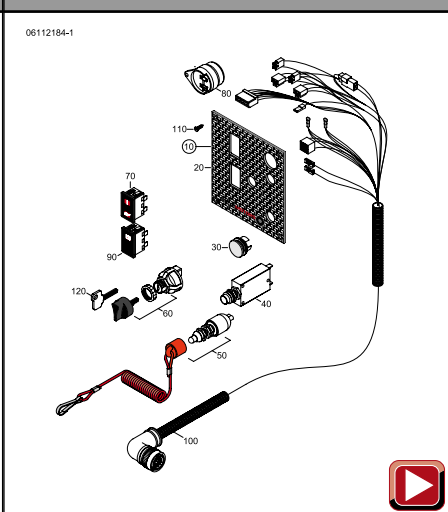
Page 94
INSTRUMENT PANEL SOLAS (FROM 2013/08)



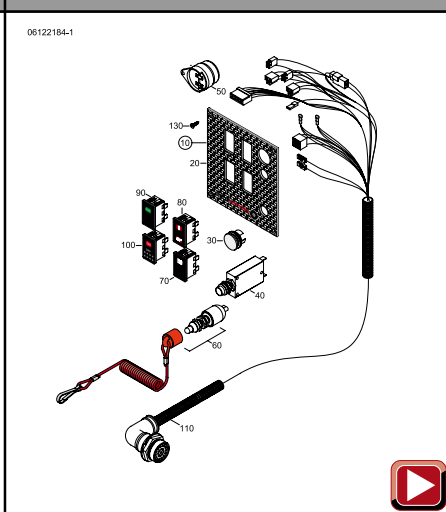
Page 96
SCC-DISPLAY (STEYR CONTROL CENTER)



Page 98
SCC KEY IGNITION PANEL



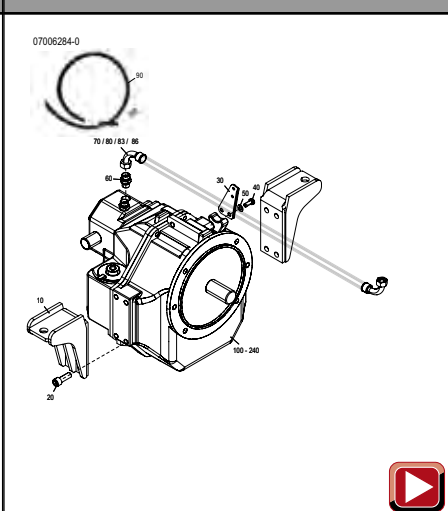
Page 100
SCC PUSH BUTTON IGNITION PANEL



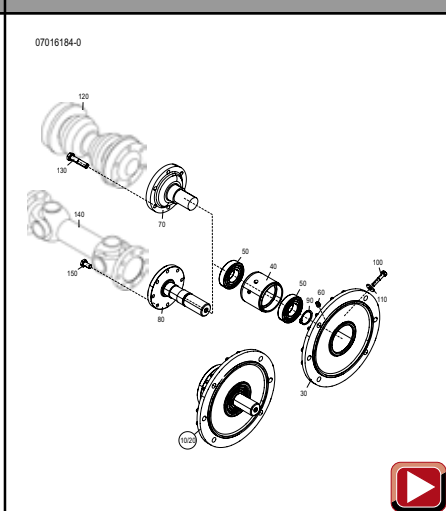
Page 102
EXTENSION CABLE INSTRUMENTS

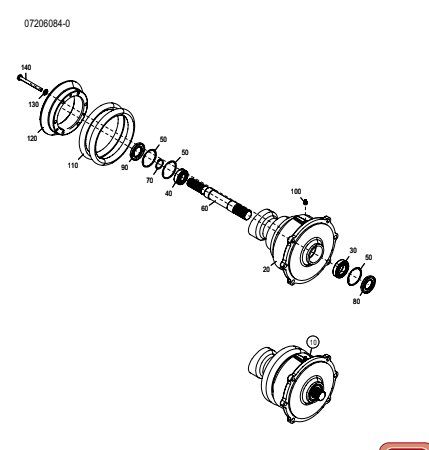

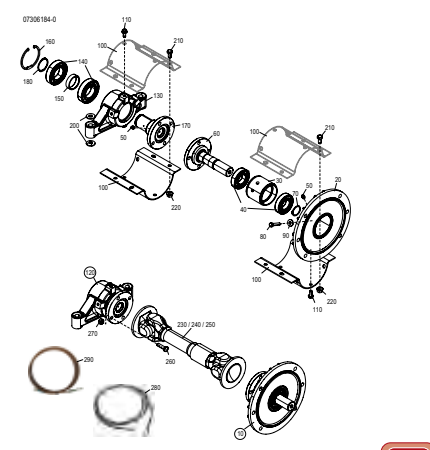

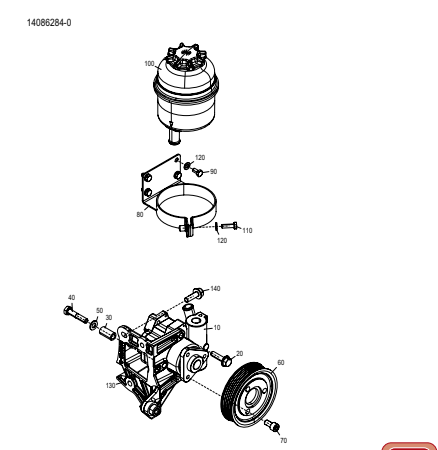

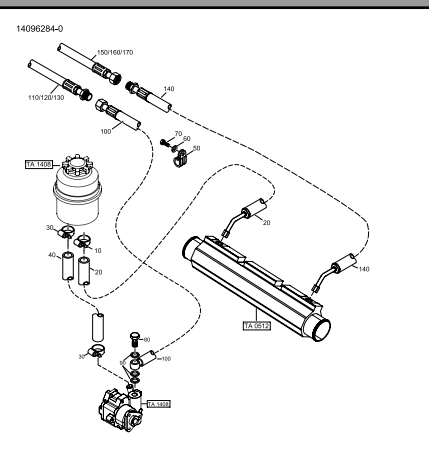



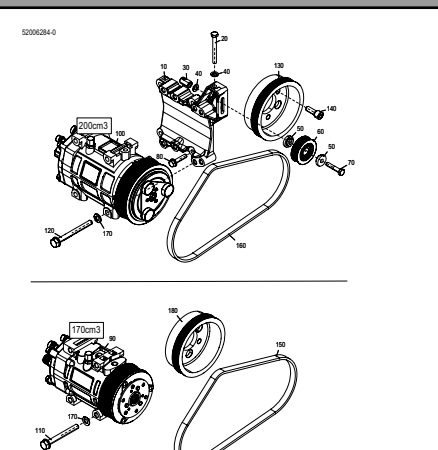

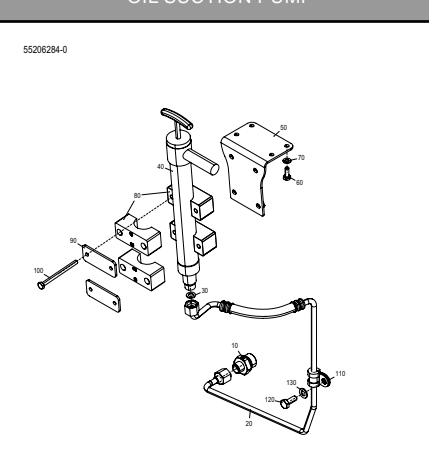

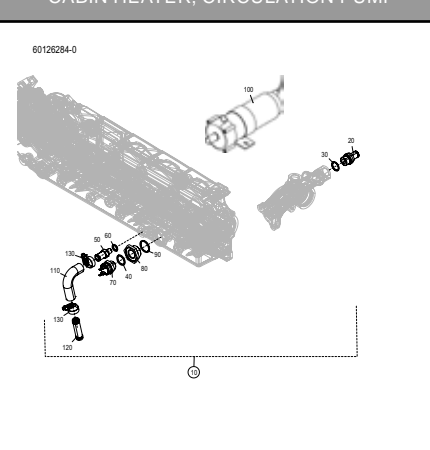





Page 104
TRANSMISSION, BRACKETS, PIPES - ZF63



Page 106
TRANSMISSION SHAFT, PTO SHAFT (ALU)



<p>Page 108 DRIVE ADAPTOR VOLVO STERNDRIVE</p> <p>07206084-0</p>  	<p>Page 110 DRIVE SHAFT EXT. MERCURY STERNDRIVE</p> <p>07206184-0</p>  	<p>Page 112 HYDRAULIC PUMP</p> <p>14086284-0</p>  
<p>Page 114 HYDRAULIC PIPES</p> <p>14096284-0</p>  	<p>Page 116 ENGINE PREHEATING</p> <p>22076284-0</p>  	<p>Page 118 AIR CONDITIONING & DRIVE</p> <p>52096284-0</p>  
<p>Page 120 OIL SUCTION PUMP</p> <p>55206284-0</p>  	<p>Page 122 CABIN HEATER, CIRCULATION PUMP</p> <p>60126284-0</p>  	<p>Page 124 OPERATING MATERIAL</p> <p>90006000-0</p>  



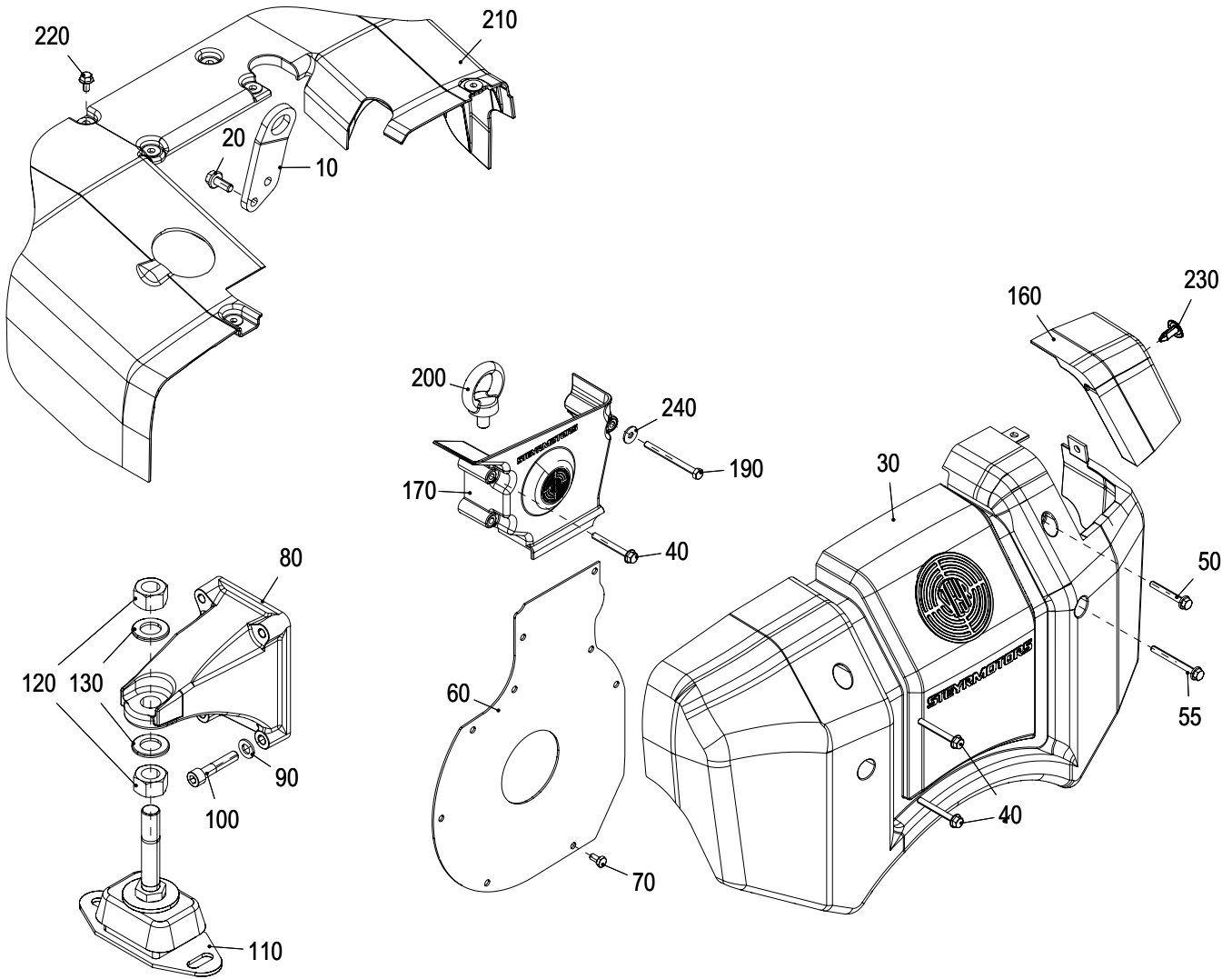


TA 0100

**SE236 S36
MARINE**

MOUNT BRACKET, COVER T-BELT, GASKET SET

01006284-0



140 / 150

ENGINE SEAL KIT



MOUNT BRACKET, COVER T-BELT, GASKET SET

SE236 S36
MARINE

01006284-0

Pos.	Part.-No.	Qty	Designation	Step
10	2201024-0	1	ENGINE LIFT SHACKLE	.1
20	9000271-0	2	BOLT EN1665-M8x25-10.9-FLZNNC-720H-L	.1
30	2180836-0	1	COVER T-BELT	.1
40	9000538-0	4	HEX.FLANGE BOLT EN 1665-M6x50-A2-70	.1
50	9001362-0	1	HEX.BOLT EN 1665-M6x40-8.8-FLZNNC-720H-L	.1
55	9001248-0	1	HEX.FLANGE BOLT EN 1665-M6x60-A2-70	.1
60	2181204-0	1	COVER PLATE, COVER T-BELT	.1
70	3800238-0	9	HEX.HD.SCR. ISO 4017-M6x12-A4-70	.1
80	2177598-9	2	MOUNT BRACKET, FRONT (RAL9006)	.1
90	3930075-0	8	WASHER ISO 7089-10-A4-200HV	.1
100	9000014-1	8	SCR. ISO 4762-M10x50-10.9-FLZNNC-720H-L	.1
110	2203804-5	4	ENGINE MOUNT ASSY 55SH	.1
120	9000442-0	2	HX.NUT ISO8673-M18x1.5-8-A-FLZNNC-720H-L	..2
130	9000441-0	2	LOCKWASHER 19.5x34.5	..2
140	Z026130-0	1	SEAL KIT, W-O FRAME SEAL	.1
150	Z026132-0	1	SEAL KIT, WITH FRAME SEAL	.1
160	2181029-0	1	COVER T-BELT PART 2	.1
170	2181026-0	1	COVER T-BELT, LOWER PART	.1
190	9001104-0	1	HEX. BOLT ISO 4014-M6x70-A2-70	.1
200	9001105-0	1	RING BOLT DIN 580-M12-A2	.1
210	2180838-0	1	COVER REAR	.1
220	9001001-0	6	HEX.FLANGE BOLT EN 1665-M6x16-A4-70	.1
230	9001126-0	1	UNSCREWING SNAP RIVET 8mm	.1
240	900221	1	WASHER ISO 7093-1-6-200HV-A4	.1



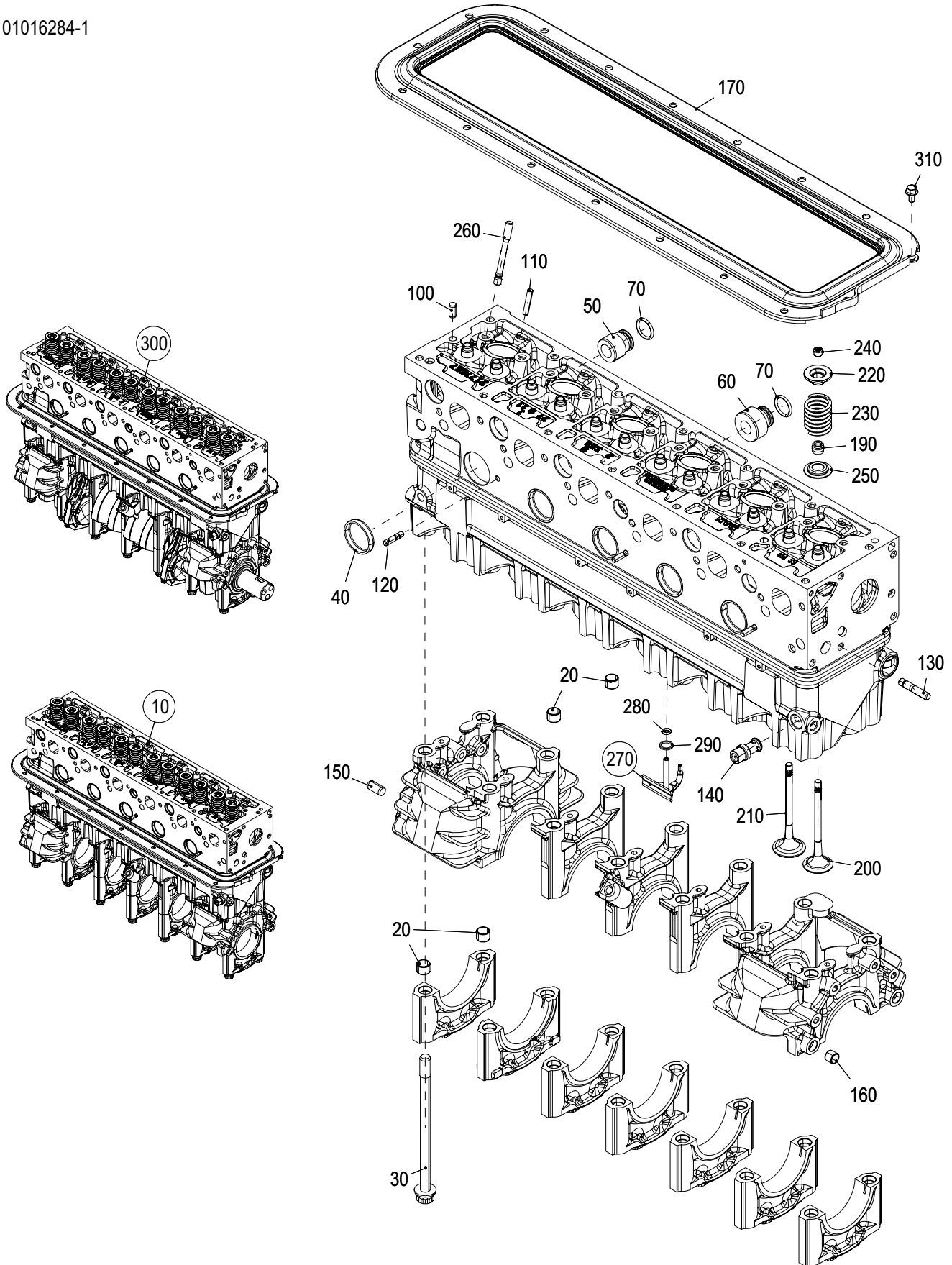


TA 0101

SE236 S36 MARINE

CRANKCASE

01016284-1



CRANKCASE	SE236 S36 MARINE
------------------	-----------------------------

01016284-1

Pos.	Part.-No.	Qty	Designation	Step
10	MZ60284-0	1	CYL. BLOCK ASSY. MARINE (INCL. VALVES)	.1
20	2172799-0	24	FITTING SLEEVE	.2
30	2174329-0	14	BOLT, MAIN BEARING	.2
40	2170309-0	6	CORE HOLE PLUG 40-8	.2
50	2180872-0	2	O-RING SLEEVE	.2
60	2180873-0	3	O-RING SLEEVE	.2
70	9001076-0	5	O-RING 19.2x3	.2
100	3901416-0	2	PARALLEL PIN ISO 2338-8m6x16-ST	.2
110	3901328-0	6	PARALLEL PIN ISO 2338-6m6x30-ST	.2
120	9000327-0	3	STUD DIN 939-M6x20-8.8-FLZNNC-720H-L	.2
130	3812435-0	1	STUD DIN 938-M8x35-8.8-FLZNNC-720H-L	.2
140	2178525-1	1	COOLING OIL VALVE ASSY.	.2
150	3901509-0	2	PARALLEL PIN ISO 2338-10m6x20-ST	.2
160	2170298-0	2	FITTING SLEEVE	.2
170	2205379-0	1	FRAME SEAL	.2
190	2172096-1	12	VALVE STEM SEAL	.2
200	707642	6	EXHAUST VALVE	.2
210	707641	6	INTAKE VALVE	.2
220	2177349-0	12	VALVE-SPRING RETAINER	.2
230	2172362-0	12	VALVE SPRING	.2
240	S21701710	24	VALVE COLLET	.2
250	2177415-0	12	SPRING SUPPORT	.2
260	2174321-1	12	STUD	.1
270	2178478-3	6	SPRAYING NOZZLE ASSY.	.1
280	2179896-0	6	O-RING 5.23x2.62 (GREEN)	.2
290	2179658-0	6	BACK-UP RING	.1
300	501050	1	PARTIAL ENGINE	.1
310	9000287-0	17	BOLT EN1665-M6x12-8.8-FLZNNC-720H-L	.1



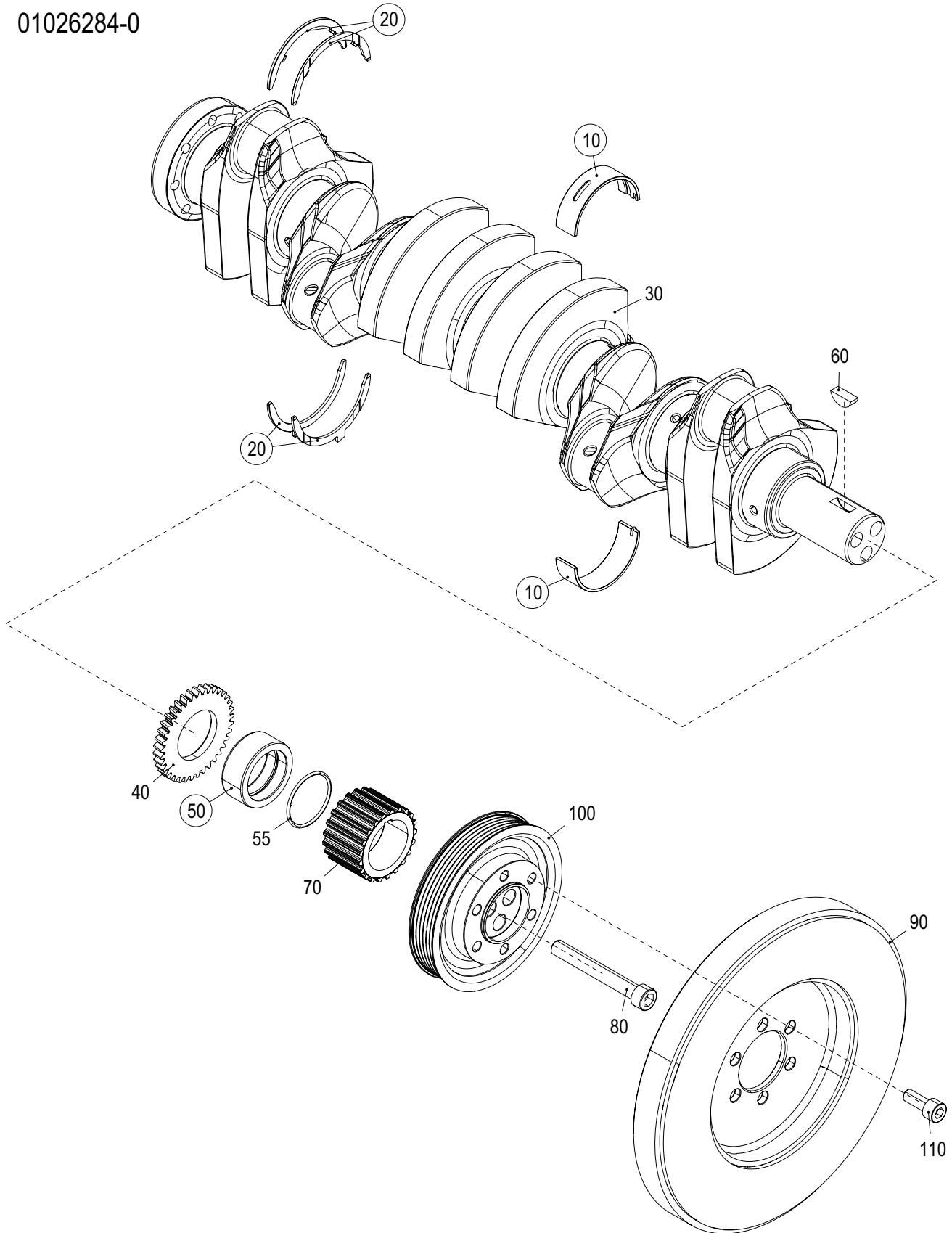


TA 0102

**SE236 S36
MARINE**

CRANKSHAFT, BEARING, DAMPER

01026284-0



CRANKSHAFT, BEARING, DAMPER

SE236 S36
MARINE

01026284-0

Pos.	Part.-No.	Qty	Designation	Step
10	Z002003-0	7	MAIN BEARING KIT, CRANKSHAFT	.1
20	Z002002-0	1	AXIAL BEARING KIT, CRANKSHAFT	.1
30	2172816-0	1	CRANKSHAFT	.1
40	2172584-2	1	GEAR	.1
50	Z021016-0	1	BARREL RING INCL. O-RING	.1
55	2179098-0	1	O-RING 42x2.5	.2
60	3960012-0	1	WOODRUFFKEY DIN 6888-8x9	.1
70	707371	1	SYNCHRONOUS BELT PULLEY	.1
80	9000635-0	3	HEX.SOCK. SCR. ISO 4762-M12x90-12.9-DAC	.1
90	2200664-2	1	VISCO DAMPER	.1
100	2180681-0	1	PULLEY, CRANKSHAFT	.1
110	9000511-0	6	HEX.SOCK. SCR. ISO 4762-M10x25-12.9	.1



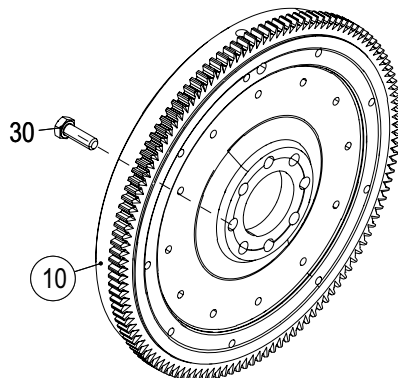
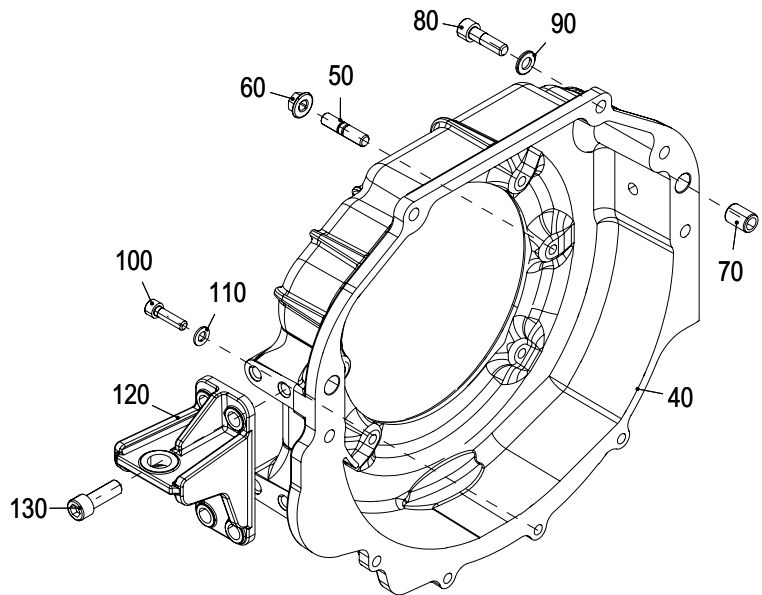
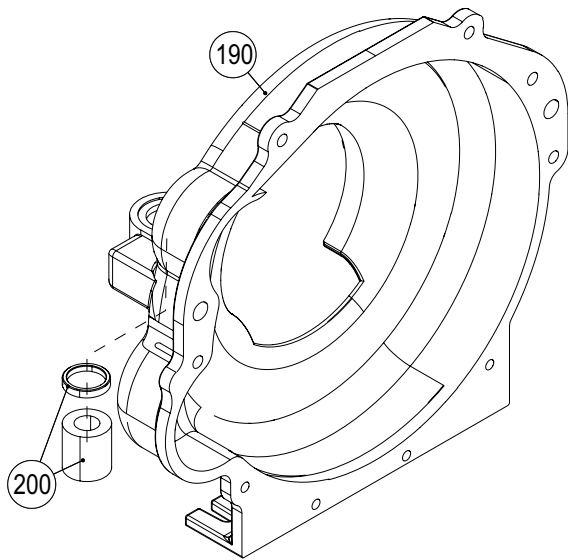
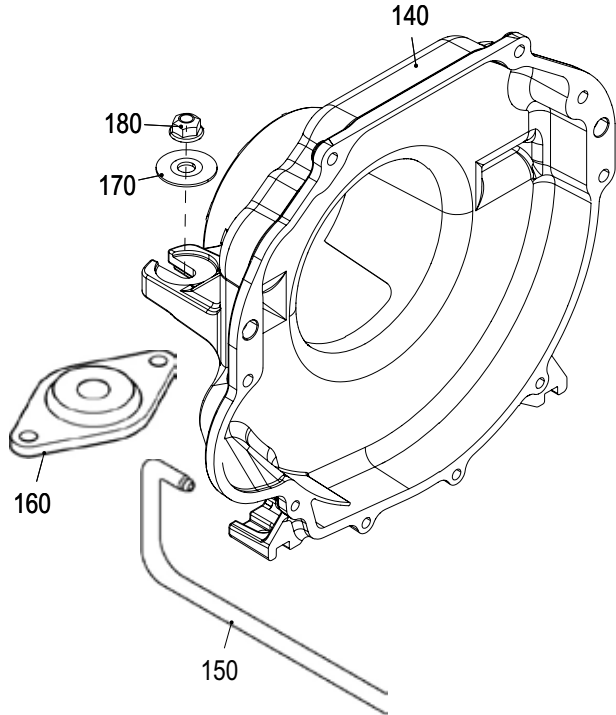
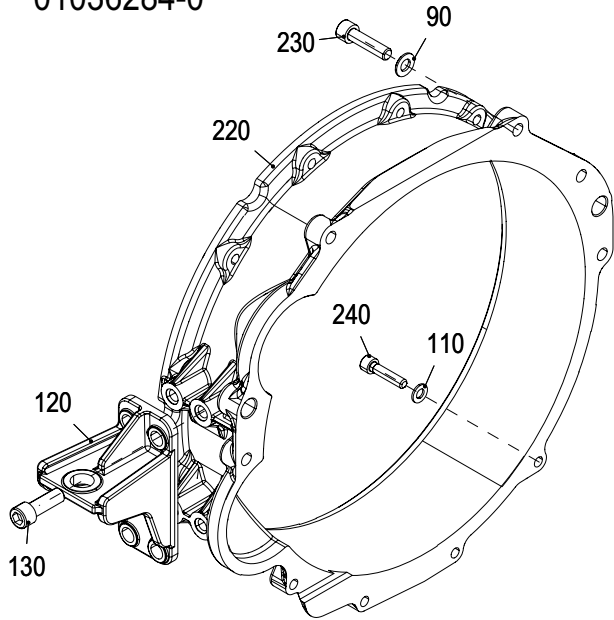


TA 0103

SE236 S36
MARINE

FLYWHEEL, FLYWHEELHOUSING

01036284-0



FLYWHEEL, FLYWHEELHOUSING
SE236 S36
MARINE

01036284-0

Pos.	Part.-No.	Qty	Designation	Step
10	500911	1	FLYWHEEL ASSY.	.1
30	2174592-0	8	HEX.HD.SCR. ISO 4017-M10x30-12.9	.1
40	2180981-0	1	HOUSING-FLYWHEEL INBOARD (RAL9006)	.1
50	9000371-0	6	STUD DIN 835-M10x25-8.8-FLZNNC-720H-L	.1
60	9000042-1	6	HEX. NUT DIN 6923-M10-8-FLZNNC-720H-L	.1
70	3900184-0	2	SPRING PIN, SLIGHT TYPE ISO 13337-16x22	.1
80	3862545-0	5	HEX.SOCK. SCR. ISO 4762-M10x35-A2-70	.1
90	3930075-0	5	WASHER ISO 7089-10-A4-200HV	.1
100	3862433-0	4	HEX.SOCK. SCR. ISO 4762-M8x30-A4-70	.1
110	3930103-0	4	WASHER ISO 7089-8-A4-200HV	.1
120	2178722-1	2	BRACKET FLYWHEEL HOUSING	.1
130	9000081-0	8	HEX.SCR.ISO4762-M12x35-8.8-FLZNNC-720H-L	.1
140	O915157-9	1	FLYWHEELHOUSING OMC/VOLVO SX (RAL9006)	.1
150	O913787-0	1	HOSE-FLYWHEEL HOUSING	.1
160	O986712-0	1	KIT REAR MOUNTS INCL. SMALL PARTS	.1
170	O911778-0	2	WASHER, REAR MOUNT	.1
180	O313623-0	2	LOCK NUT, REAR MOUNT	.1
190	2178833-M	1	HOUSING FLYWHEEL MERCURY ASSY. (RAL9006)	.1
200	707653	1	FLYWHEEL HOUSING MOUNT KIT	.2
220	2181327-0	1	HOUSING FLYWHEEL SAE 4 (RAL9006)	.1
230	3860149-0	5	HEX.SCR.ISO4762-M10x40-8.8-FLZNNC-720H-L	.1
240	9000064-0	4	HEX.SCR.ISO 4762-M8x35-8.8-FLZNNC-720H-L	.1



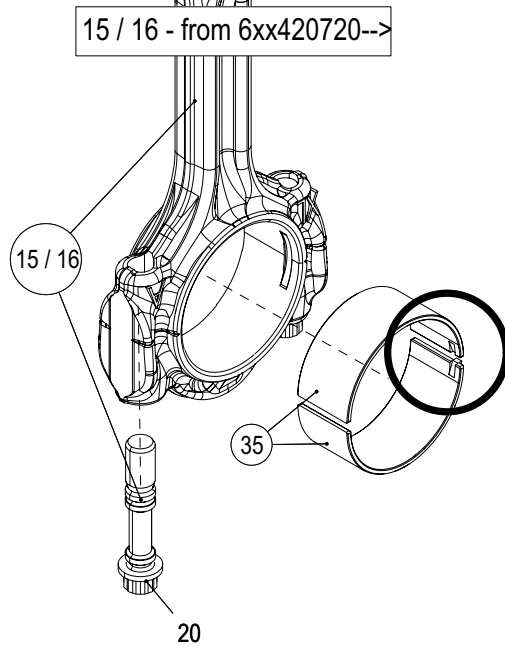
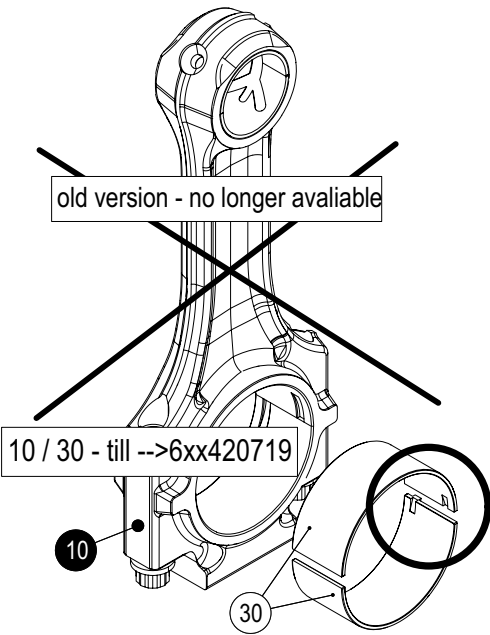
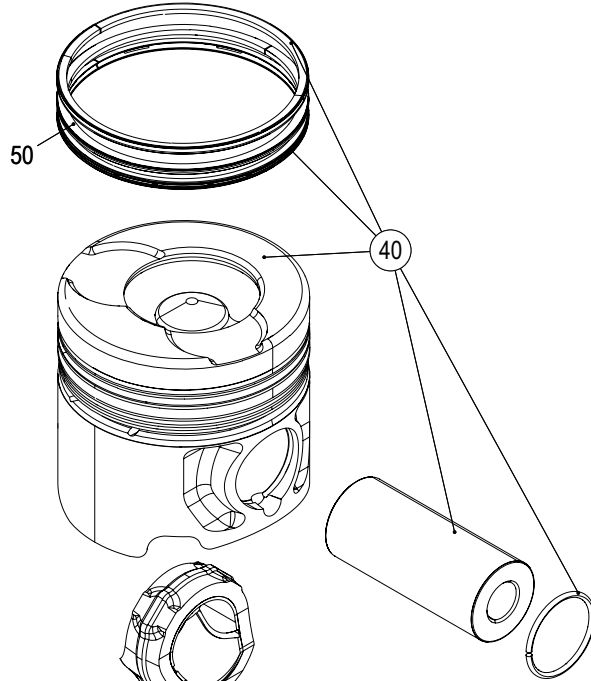


TA 0104

SE236 S36
MARINE

PISTON, RINGS AND PIN, CONNECTION ROD

01046284-3



PISTON, RINGS AND PIN, CONNECTION ROD	SE236 536 MARINE
--	----------------------------

01046284-3

Pos.	Part.-No.	Qty	Designation	Step
10	2178675-0	6	CONNECTING ROD (1 PC)	.1
15	500702	6	CONNECTING ROD (1 PC)	.1
16	501070	1	RETROFIT KIT CON ROD INCL. SHELLS (6 PC)	.1
20	S21785320	2	CON ROD SCREW	..2
30	Z002055-1	6	BEARING KIT, CONNECTING ROD (1 PER CYL.)	.1
35	Z002182-0	6	BEARING KIT, CONNECTING ROD (1 PER CYL.)	.1
40	Z021017-0	6	PISTON ASSY.	.1
50	Z002060-2	1	PISTON RING KIT (1 PER PISTON)	..2



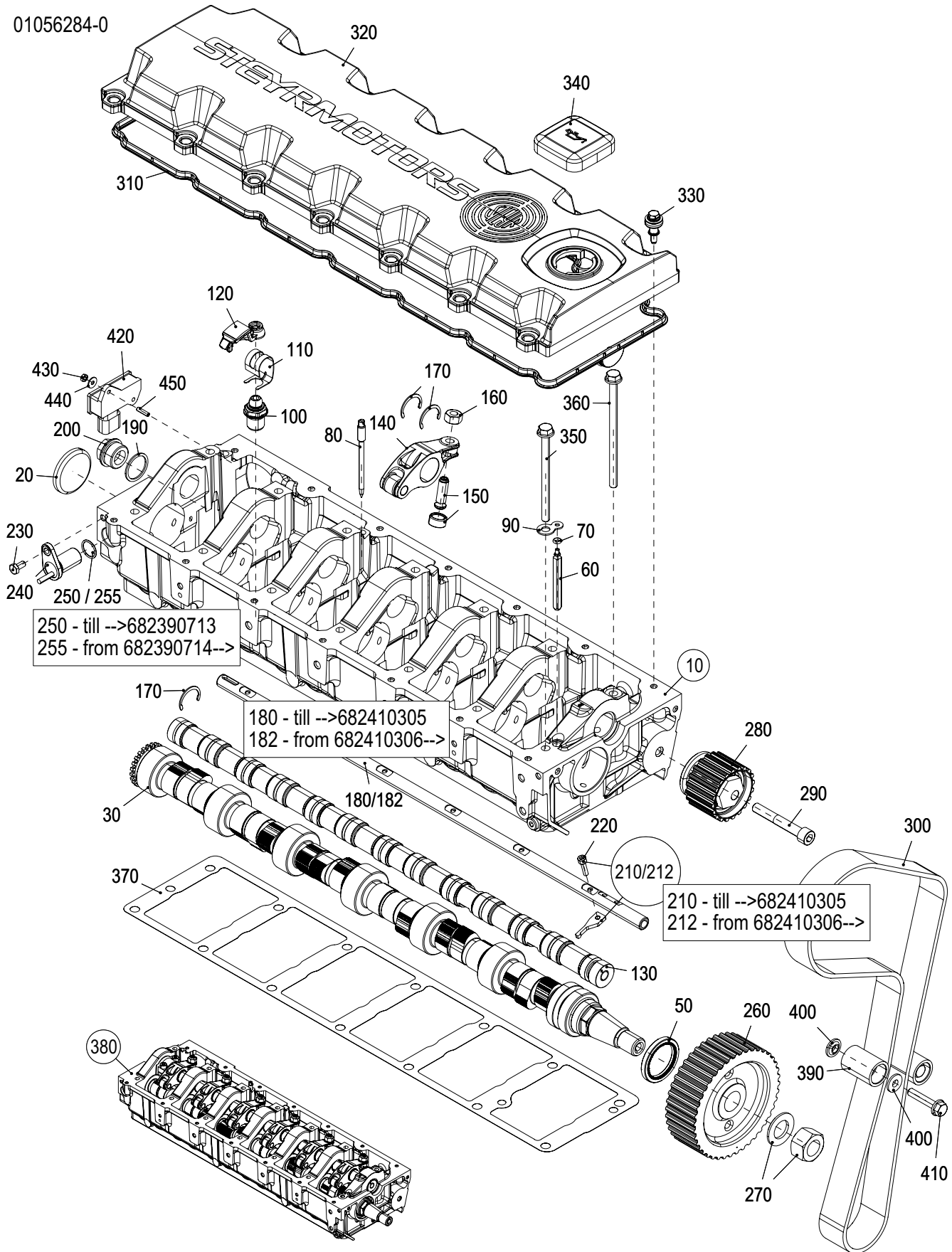


TA 0105

SE236 S36 MARINE

CAMSHAFT HOUSING

01056284-0



CAMSHAFT HOUSING
**SE236 S36
MARINE**

01056284-0

Pos.	Part.-No.	Qty	Designation	Step
10	500900	1	CAMSHAFT HOUSING ASSY. (RAL9006)	.1
20	2178083-0	1	CORE HOLE PLUG 50-7	..2
30	2178084-3	1	CAMSHAFT ASSY.	.1
50	2172086-1	1	ROTARY SHAFT SEAL	.1
60	2178486-2	1	AXLE SUPPORT	.1
70	2179278-0	1	O-RING 4.3x2.4	.1
80	2177513-2	1	GUIDE PIN CONTROL RACK	.1
90	2179251-0	1	LOCKING DEVICE, AXLE SUPPORT	.1
100	2174546-2	12	VALVE TAPPET ADJ. SCREW ASSY.	.1
110	2174552-0	12	RETAINING SPRING	.1
120	2177139-1	12	CAM FOLLOWER ASSY.	.1
130	2180860-0	1	ECCENTRIC SHAFT ASSY.	.1
140	Z002094-0	6	ROCKER ARM ASSY. (SPARE PART)	.1
150	Z002010-0	6	TAPPET ADJUSTER ASSY.	.1
160	3871310-0	6	HEX.NUT DIN 934-M10x1-10-G	.1
170	2178796-0	14	CIRCLIP 26x1.2	.1
180	500897	1	CONTROL RACK INCL. CONTROL LINK (SPA.P.)	.1
182	707334	1	CONTROL RACK	.1
190	3098031-0	1	SEALING RING DIN 7603-A26x31x1.5-CU	.1
200	3962043-0	1	PLUG DIN7604-C-M26x1.5-ST-ZnNi8/Cn/T2	.1
210	Z002009-0	6	CONTROL LINK & BOLT	.1
212	500898	6	CONTROL LINK & BOLT	.1
220	3860140-0	1	HEX.SOCK. SCR. ISO 4762-M5x20-LH-10.9-BR	.1
230	3800238-0	1	HEX.HD.SCR. ISO 4017-M6x12-A4-70	.1
240	500790	1	SPEED SENSOR, SPARE PART	.1
250	2176729-0	1	O-RING 17.17x1.78	..2
255	900579	1	O-RING 15x1.5-FVMQ70-ISO3601-1A	..2
260	2177642-0	1	TIMING BELT PULLEY CAMSHAFT	.1
270	Z002011-0	1	NUT & WASHER, CAMSHAFT PULLEY	.1
280	500945	1	IDLER PULLEY ASSY.	.1
290	3860155-0	1	SCR. ISO 4762-M10x70-10.9-FLZNNC-720H-L	.1



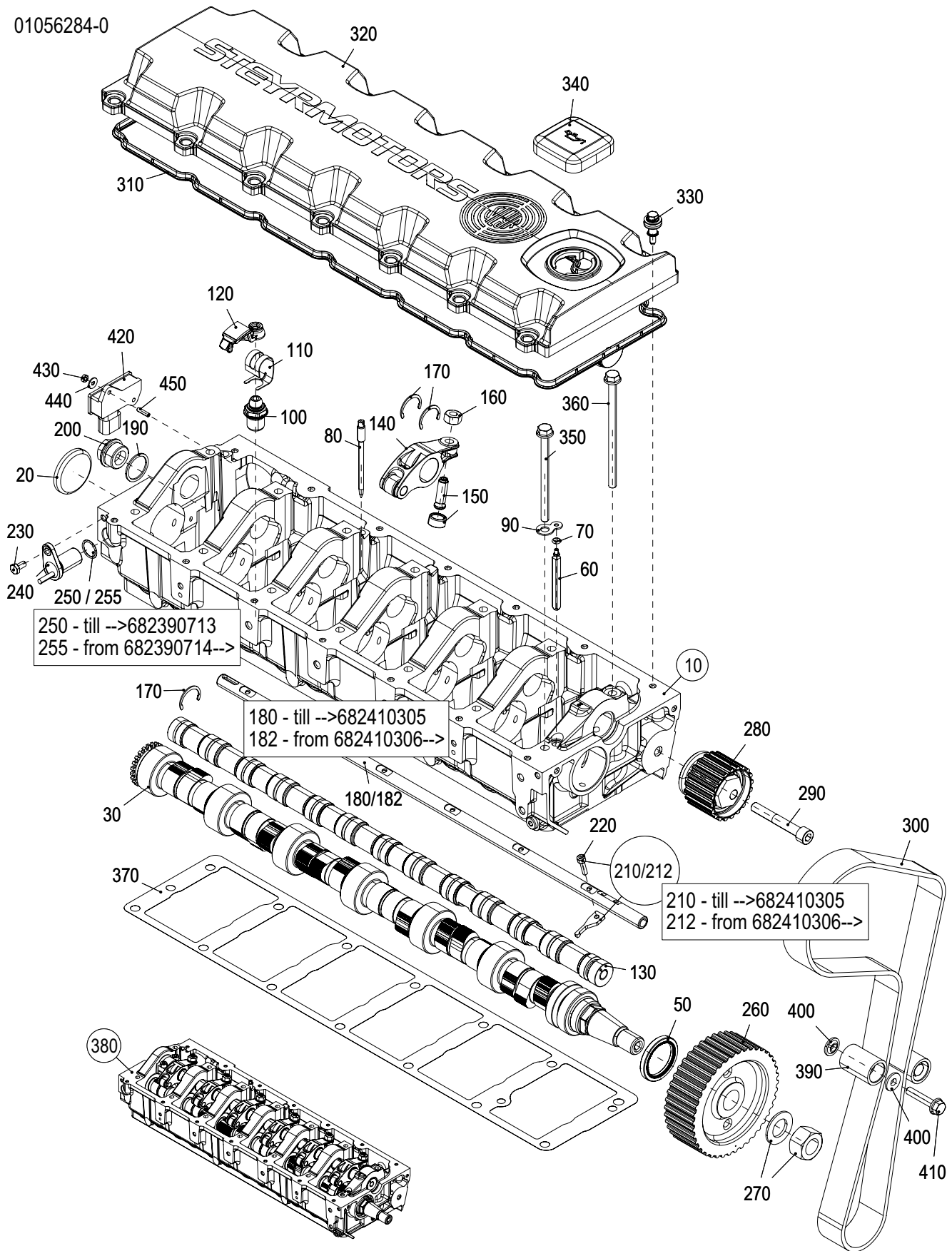


TA 0105

SE236 S36
MARINE

CAMSHAFT HOUSING

01056284-0



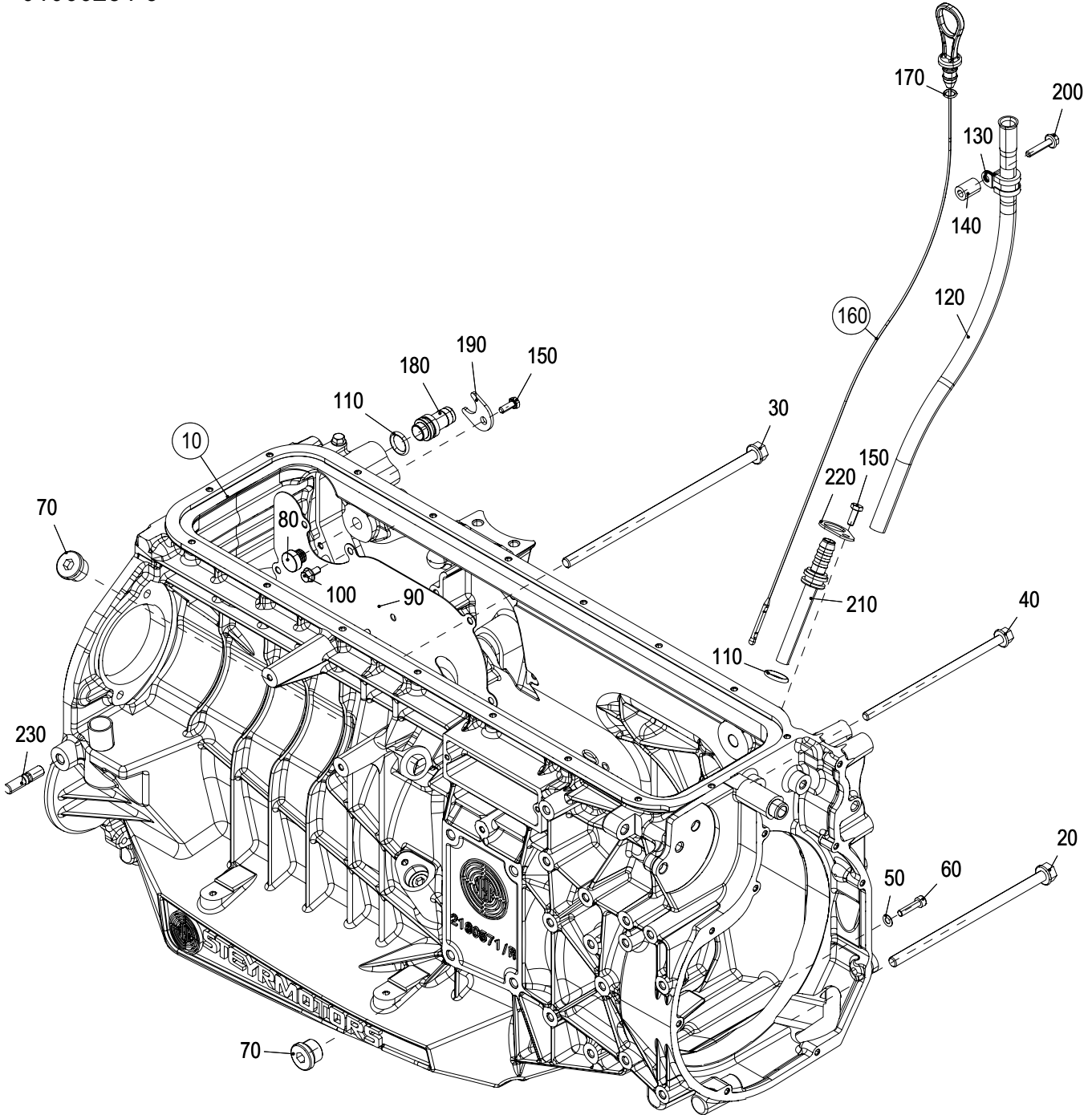


TA 0106

SE236 S36
MARINE

OILPAN, OIL DIPSTICK

01066284-3



OILPAN, OIL DIPSTICK
**SE236 536
MARINE**

01066284-3

Pos.	Part.-No.	Qty	Designation	Step
10	Z026103-0	1	ENGINE HOUSING ASSY.	.1
20	9000464-0	2	HEX.BOLT EN1665-M10x200-8.8-FLZNNC-720-L	..2
30	9000463-0	2	BOLT EN1665-M10x250-8.8-FLZNNC-720H-L	..2
40	9000465-0	3	HEX.BOLT EN1665-M8x180-8.8-FLZNNC-720H-L	..2
50	3932008-0	12	SP. WASHER DIN 137-B6-FST-FLZNNC-480H	..2
60	3862327-0	12	SCR. ISO 4762-M6x25-8.8-FLZNNC-720H-L	..2
70	9000590-0	2	SCR.PLUG WITH RUBBER SEAL M22x1.5	..2
80	2174072-0	4	RUBBER PAD	..2
90	2180815-0	1	COVER PRE OIL SEPARATOR	..2
100	9000287-0	9	BOLT EN1665-M6x12-8.8-FLZNNC-720H-L	..2
110	2178310-1	2	O-RING 17x3.53-FPM70-ISO3601-1A	.1
120	2180818-0	1	TUBE OIL-DIPSTICK	.1
130	2178566-0	1	PIPE CLAMP RSGU1.15/15-W5	.1
140	2180895-0	1	DISTANCE SLEEVE	.1
150	3800233-0	2	HEX.HD.SCR. ISO 4017-M6x16-A4-70	.1
160	708241	1	OIL DIP STICK ASSY.	.1
170	2203689-0	2	O-RING 9.0x2.0	..2
180	2179544-0	1	FITTING DM16	.1
190	2179543-0	1	CLAMPING PLATE	.1
200	9000537-0	1	HEX.FLANGE BOLT EN 1665-M6x30-A2-70	.1
210	2180817-0	1	NOOZLE OIL DIP STICK	.1
220	2201476-0	1	MOUNTING PLATE	.1
230	9000478-0	1	STUD DIN 835-M10x25-A2-70	.1



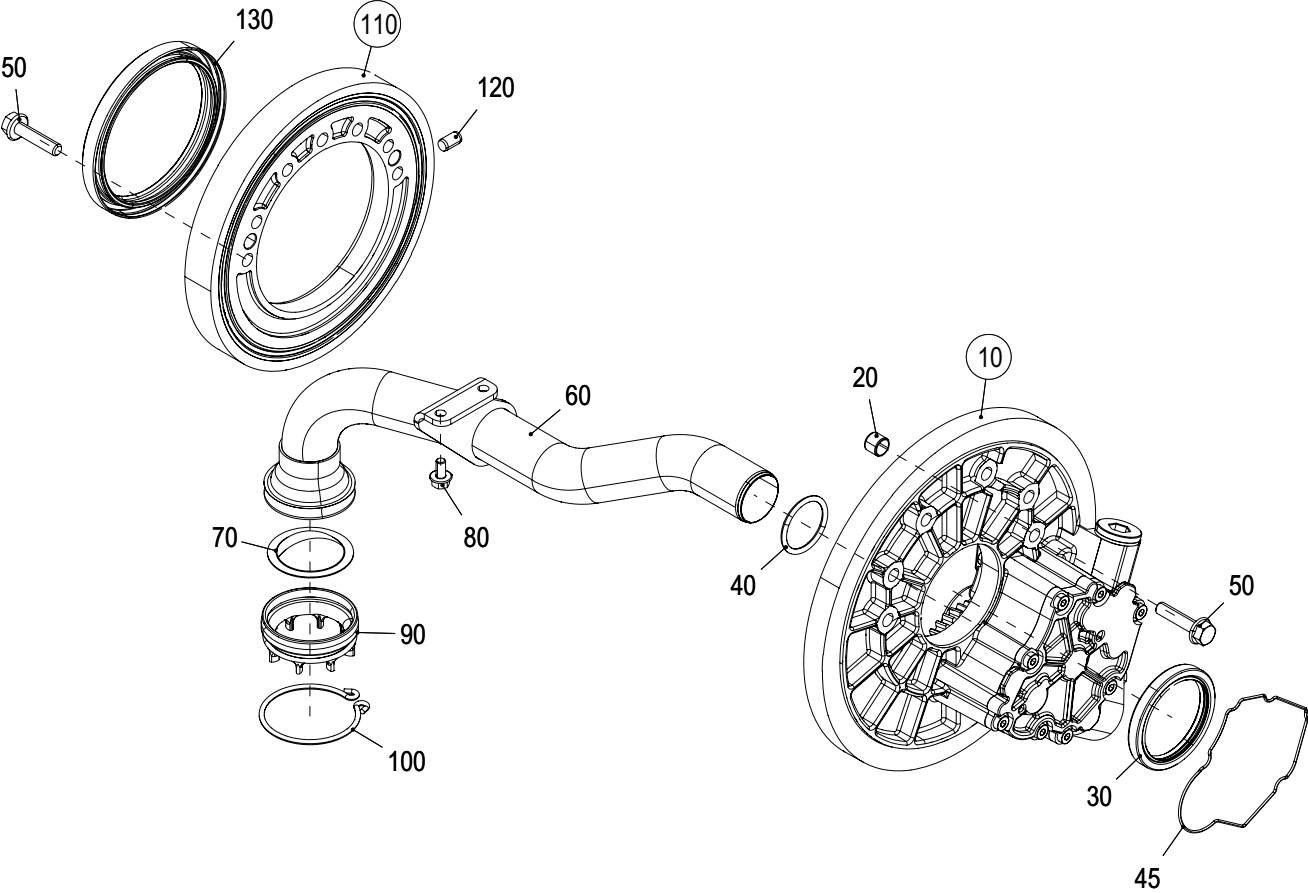


TA 0106

SE236 S36
MARINE

OIL PUMP, SUPPORT RING

01066284-A



OIL PUMP, SUPPORT RING

**SE236 536
MARINE**

01066284-A

Pos.	Part.-No.	Qty	Designation	Step
10	Z026102-0	1	OIL PUMP ASSY. (RAL9006)	.1
20	2170298-0	2	FITTING SLEEVE	.2
30	707919	1	ROTARY SHAFT SEAL	.2
40	2179991-0	1	O-RING 33x3.5-FPM80-ISO3601-1A	.2
45	9000768-0	1	PROFILED FORM SEALING	.2
50	9000278-0	13	BOLT EN1665-M8x35-8.8-FLZNNC-720H-L	.1
60	2180822-0	1	OILSUCTION PIPE ASSY.	.1
70	2200449-0	1	OIL STRAINER	.1
80	9000287-0	2	BOLT EN1665-M6x12-8.8-FLZNNC-720H-L	.1
90	2200450-0	1	SUCTION CAGE	.1
100	9000628-0	1	SNAP RING DIN 9925-60	.1
110	500870	1	SUPPORT RING REAR INCL.ROTARY SHAFT SEAL	.1
120	3901409-0	1	PARALLEL PIN ISO 2338-8m6x14-ST	.2
130	2172289-1	1	ROTARY SHAFT SEAL	.2



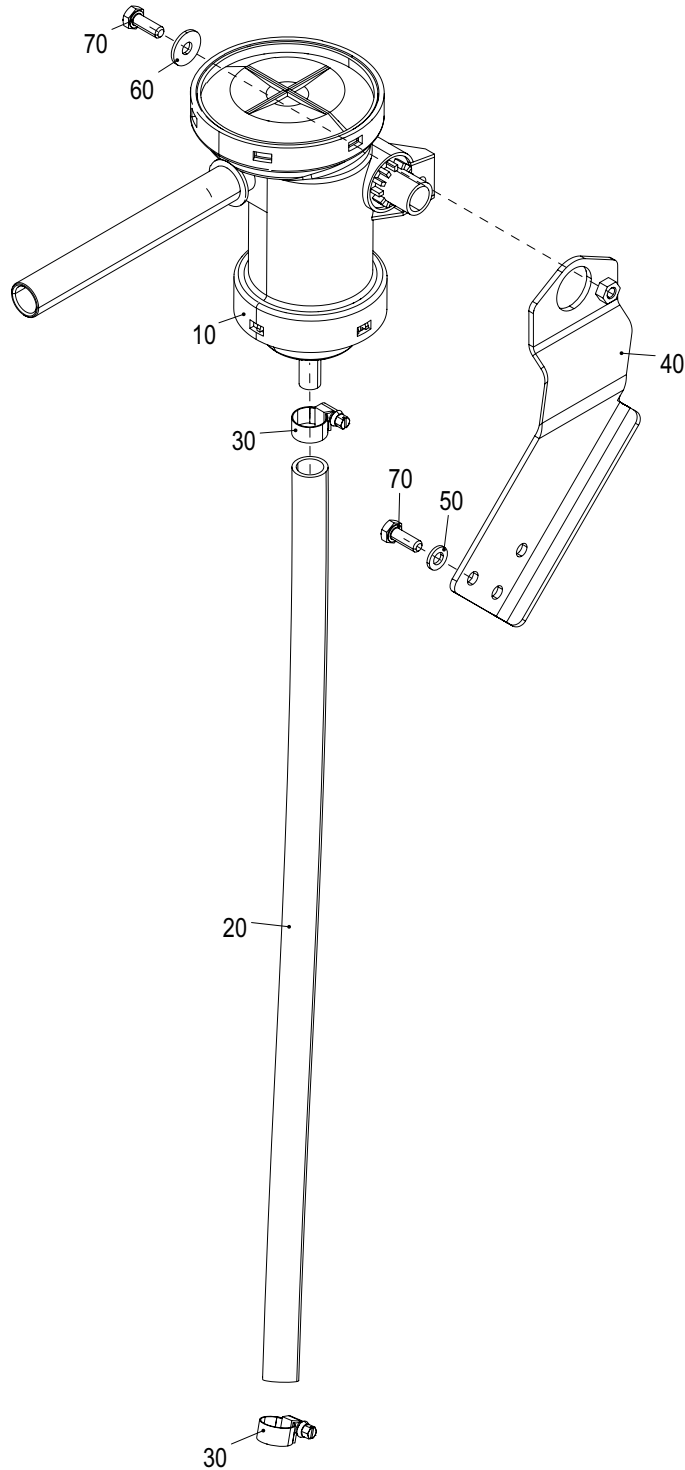


TA 0106

SE236 S36
MARINE

OIL SEPARATOR, BLOWBY LINES

01066284-L



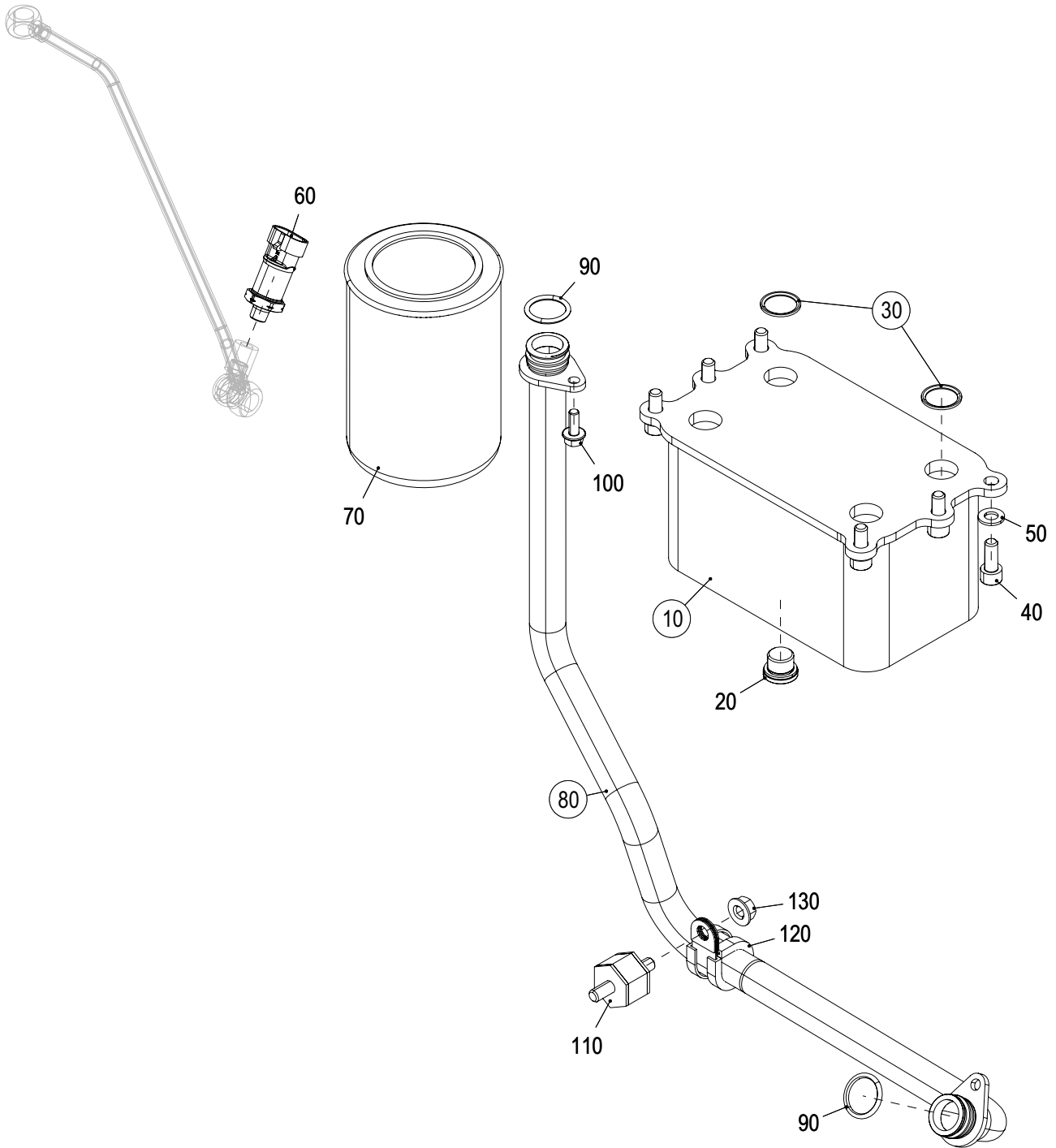


TA 0106

**SE236 S36
MARINE**

OIL COOLER, OIL FILTER, OIL LINES

01066284-R



OIL COOLER, OIL FILTER, OIL LINES	SE236 S36 MARINE
-----------------------------------	-----------------------------------

01066284-R

Pos.	Part.-No.	Qty	Designation	Step
10	Z026111-0	1	OILCOOLER (RAL9006)	.1
20	9000588-0	1	SCR.PLUG WITH RUBBER SEAL M16x1.5	.2
30	Z026113-0	1	SEAL KIT, OIL COOLER	.1
40	9000063-0	6	HEX.SOCK. SCR. ISO 4762-M8x20-A4-70	.1
50	3930103-0	6	WASHER ISO 7089-8-A4-200HV	.1
60	2180804-0	1	PRESSURE SENSOR	.1
70	2179817-0	1	SPIN-ON OIL FILTER	.1
80	Z026112-0	1	OIL PIPE ASSY. (RAL9006)	.1
90	2177249-0	2	O-RING 22x3-FPM80-ISO3601-1A	.2
100	9000273-0	2	BOLT EN1665-M6x16-8.8-FLZNNC-720H-L	.1
110	2177619-1	1	SILENT BLOCK M8	.1
120	2201127-0	1	PIPE CLAMP RSGU1.22-20	.1
130	9000056-1	1	HEX.FLANGE NUT EN1661-M8-8-FLZNNC-720H-L	.1



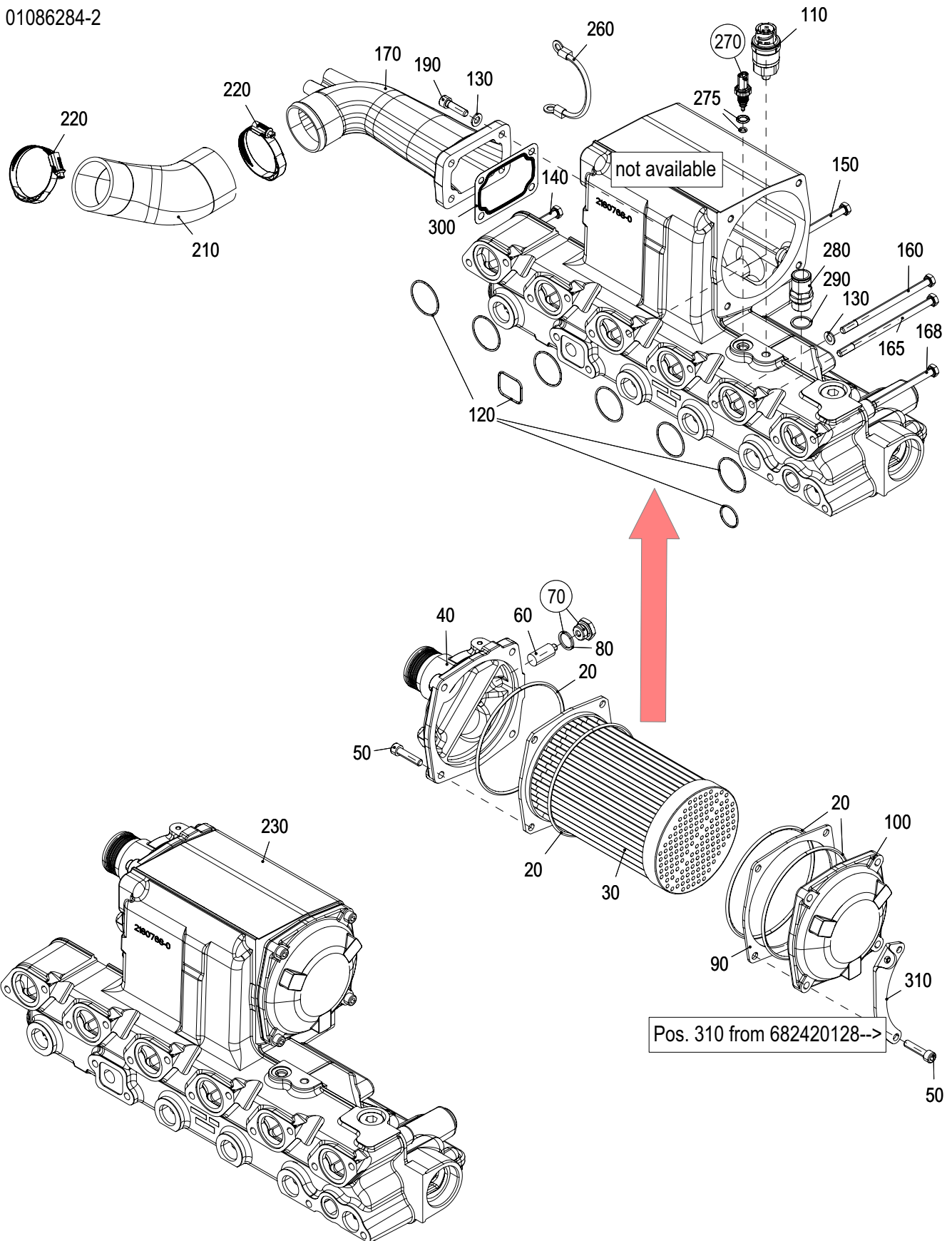


TA 0108

SE236 S36
MARINE

INTERCOOLER

01086284-2



INTERCOOLER	SE236 536 MARINE
--------------------	-----------------------------

01086284-2

Pos.	Part.-No.	Qty	Designation	Step
20	2180010-0	4	O-RING 135x4	.1
30	2180877-0	1	INTERCOOLER	.1
40	Z026106-0	1	COVER INTERCOOLER REAR (RAL9006)	.1
50	9000064-0	8	HEX.SCR.ISO 4762-M8x35-8.8-FLZNNC-720H-L	.1
60	2178413-1	1	ZINC ANODE	.1
70	Z002017-0	1	PLUG & SEAL FOR ZINC-ANODE	.1
80	900631	1	SEALING RING DIN 7603-A18x24-CU	..2
90	2180012-0	1	SPACER, INTERCOOLER	.1
100	Z026107-0	1	COVER INTERCOOLER FRONT (RAL9006)	.1
110	2180803-0	1	PRESSURE SENSOR 1-8 27 NPT	.1
120	Z026108-0	1	SEAL KIT, INTAKE MANIFOLD	.1
130	3930103-0	16	WASHER ISO 7089-8-A4-200HV	.1
140	3800471-0	3	BOLT ISO 4014-M8x90-8.8-FLZNNC-720H-L	.1
150	9000295-0	7	HE.BO.ISO4014-M8x220-8.8-A-FLZNNC-720H-L	.1
160	9000288-0	4	HE.BO.ISO4014-M8x140-8.8-A-FLZNNC-720H-L	.1
165	3800493-0	1	H.BOLT ISO 4014-M8x150-8.8-FLZNNC-720H-L	.1
168	9000329-0	1	HEX.HD.BOLT ISO 4014-M8x115-A4-70	.1
170	Z026109-0	1	PRESSURE PIPE (RAL9006)	.1
190	3862433-0	4	HEX.SOCK. SCR. ISO 4762-M8x30-A4-70	.1
210	2180975-0	1	CHARGE AIR HOSE	.1
220	2181189-0	2	HOSE CLAMP WITH SPRING 50-70-12	.1
230	Z026104-0	1	INTERCOOLER ASSY. (RAL9006)	.1
260	2178968-0	1	GROUND WIRE	.1
270	2180962-0	1	CHARGE AIR TEMP. SENSOR INCL. O-RINGS	.1
275	500850	1	SEAL KIT, TEMPERATUR SENSOR	..2
280	9000648-4	1	SCREW-IN SOCKET M22x1.5-22	.1
290	9000815-0	1	PROFILED GASKET DIN 3869-22-FPM	.1
300	2201914-0	1	GASKET CHARGE AIR COOLER	.1
310	707660	1	SUPPORT EXPANSION TANK	.1



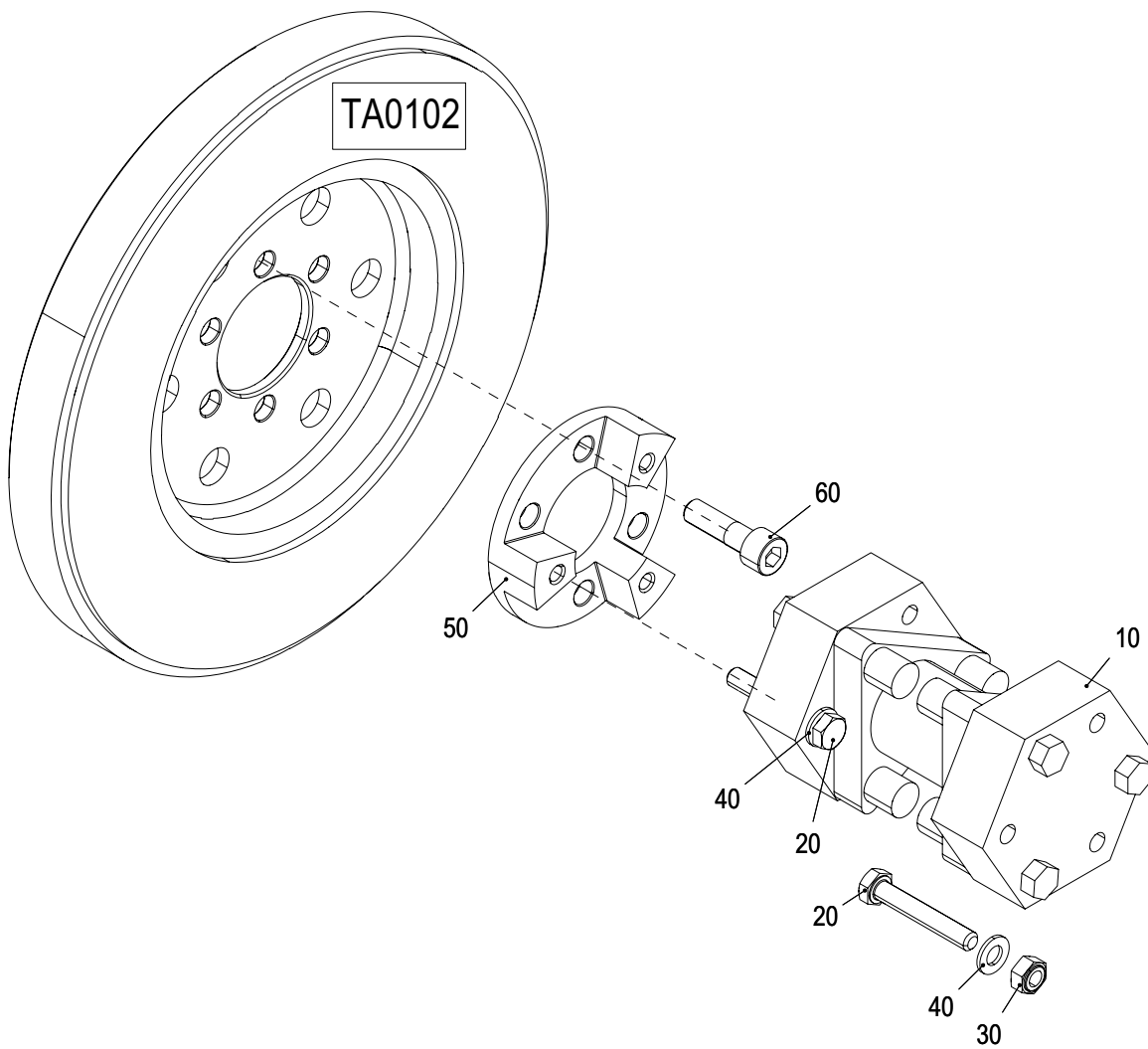


TA 0109

SE236 S36
MARINE

POWER TAKE OFF FRONT

01096184-0



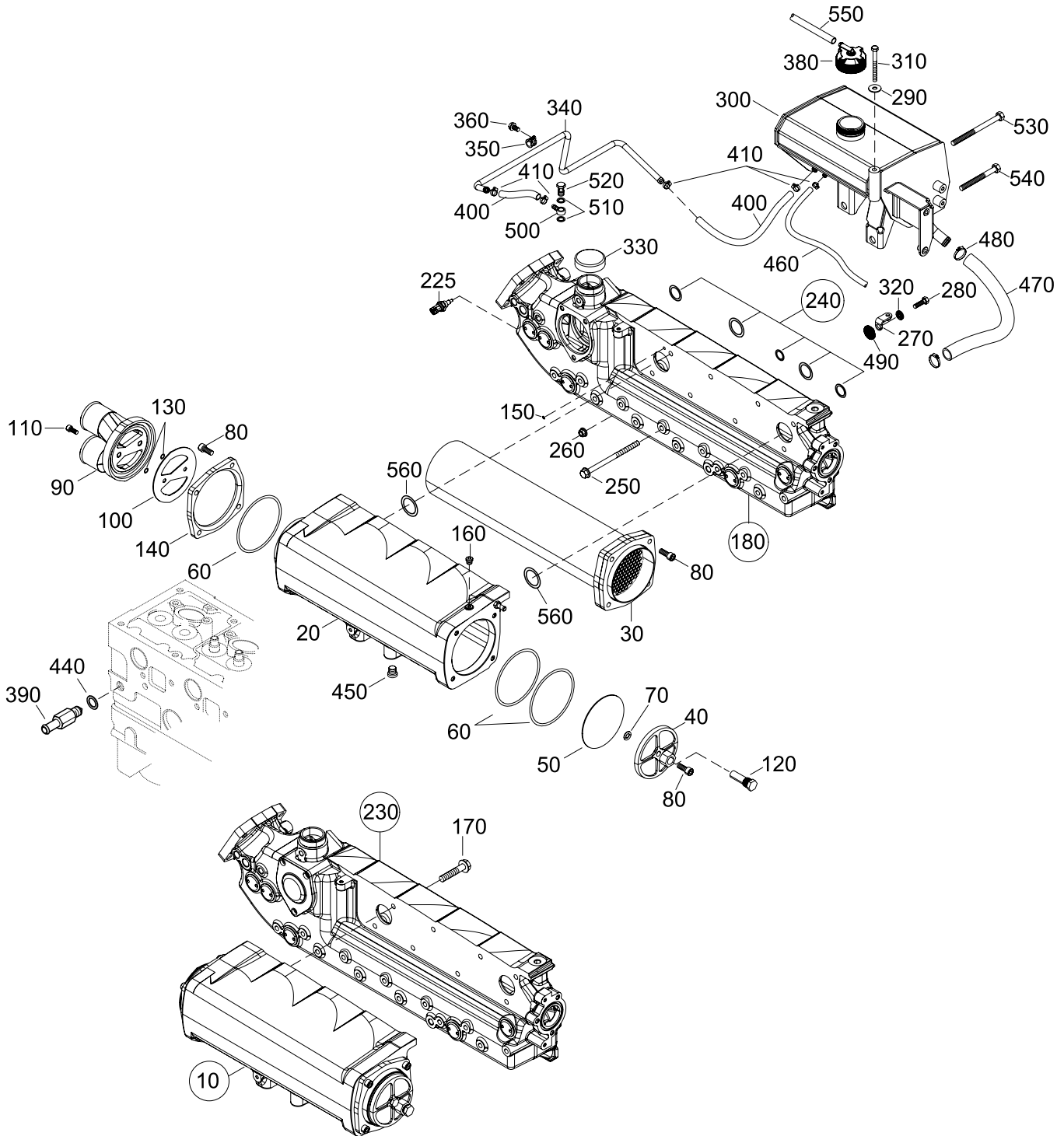


TA 0114

SE236 S36
MARINE

EXHAUST, HEAT EXCHANGER, GASKETS
ENG. NO.: 682320001-682340974

01146284-0



**EXHAUST, HEAT EXCHANGER, GASKETS
ENG. NO.: 682320001-682340974**
**SE236 S36
MARINE**

01146284-0

Pos.	Part.-No.	Qty	Designation	Step
10	Z026115-0	1	HEAT EXCHANGER ASSY. (RAL9006)	.1
20	Z026116-0	1	HEAT EXCHANGER HOUSING (RAL9006)	.2
30	2180883-0	1	HEAT EXCHANGER	.2
40	Z026117-0	1	COVER HEAT EXCHANGER FRONT (RAL9006)	.2
50	2180885-0	1	GASKET, HEAT EXCHANGER COVER	.2
60	9001129-0	3	O-RING	.2
70	9001130-0	1	O-RING 9.12x3.53	.2
80	9001128-0	9	HEX.SOCK. SCR. ISO 4762-M8x25-A2-70	.2
90	2181092-0	1	COVER, HEAT EXCHANGER	.2
100	2181093-0	1	GASKET, HEAT EXCHANGER COVER	.2
110	9001088-0	2	HEX.SOCK. SCR. ISO 4762-M6x25-A2-70	.2
120	2181091-0	1	ZINC ANODE	.2
130	9001181-0	2	O-RING 5.28x1.78 ISO 3601	.2
140	2181090-0	1	FLANGE PLATE, HEAT EXCHANGER	.2
150	2203689-0	1	O-RING 9.0x2.0	.1
160	9000585-0	1	HEX.SOCK.SCR.PLUG WITH RUBBER SEAL M10x1	.1
170	9000304-0	8	BOLT EN1665-M8x60-8.8-FLZNNC-720H-L	.1
180	Z026114-0	1	EXHAUST MANIFOLD ASSY. (RAL9006)	.1
225	2180773-0	1	TEMPERATURE SENSOR W. SEAL RING	.1
230	Z026118-0	1	EXHAUST MANIFOLD COMPL. ASSY. (RAL9006)	.1
240	Z002652-0	1	SEAL KIT, EXH.MANIF.-BLOCK (O-RINGS)	.1
250	900590	12	HEX.BOL.EN1665-M8x135-10.9-FLZNNC-720H-L	.1
260	3880049-0	3	HEX.FLANGE NUT EN 1661-M6-A4-70	.1
270	2181222-0	1	BRACKET EXPANSION TANK	.1
280	9001088-0	1	HEX.SOCK. SCR. ISO 4762-M6x25-A2-70	.1
290	9000012-0	1	WASHER ISO 7093-6.4-140HV-A2	.1
300	Z026156-0	1	EXPANSION TANK (RAL9006)	.1
310	3800223-0	1	HEX.HD.SCR. ISO 4017-M6x60-A2-70	.1
320	2201540-0	3	WASHER, W. KNITTED WIRE MESH	.1
330	Z021020-0	1	SEALING CAP COOLER	.1
340	500912	1	PIPE WATER EXPANSION TANK	.1



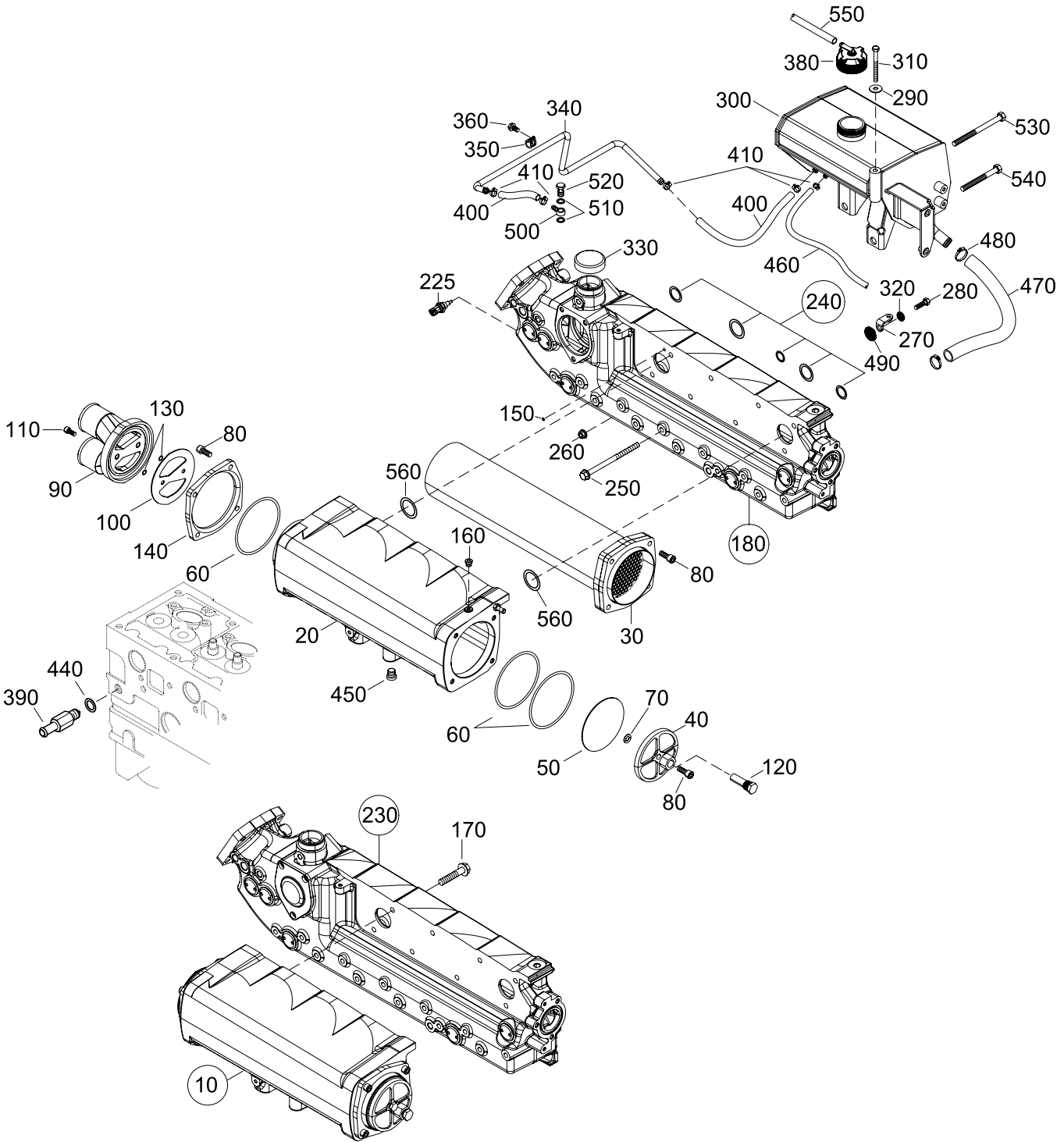


TA 0114

SE236 S36
MARINE

EXHAUST, HEAT EXCHANGER, GASKETS ENG. NO.: 682320001-682340974

01146284-0



<p>EXHAUST, HEAT EXCHANGER, GASKETS ENG. NO.: 682320001-682340974</p>	<p>SE236 536 MARINE</p>
--	--

01146284-0

Pos.	Part.-No.	Qty	Designation	Step
350	2205232-1	2	CLAMP RS1.8/15-W1	.1
360	9001001-0	2	HEX.FLANGE BOLT EN 1665-M6x16-A4-70	.1
380	2181153-0	1	RADIATOR CAP	.1
390	2180843-0	1	DRAIN COCK ASSY.	.1
400	500908	1	HOSE DN6, DMI=8 L=700±5	.1
410	2174405-0	4	HOSE CLAMP 10-16/7.5	.1
440	3098015-0	1	SEALING RING DIN 7603-A14x20-CU	.1
450	9000587-0	1	SCR.PLUG WITH RUBBER SEAL M14x1.5	.1
460	500906	1	HOSE DN4, DMI=6 L=700±5	.1
470	2178942-0	1	HOSE	.1
480	2177753-0	2	HOSE CLAMP 16-25/9	.1
490	2201541-0	3	SLEEVE, W. KNITTED WIRE MESH	.1
500	2174383-0	1	BANJO DN6 DIN7642	.1
510	3098015-0	2	SEALING RING DIN 7603-A14x20-CU	.1
520	9000053-0	1	HO.SCR.M14x1.5-DIN7643-10-ZnNi8/An/T2	.1
530	3800493-0	1	H.BOLT ISO 4014-M8x150-8.8-FLZNNC-720H-L	.1
540	9000329-0	1	HEX.HD.BOLT ISO 4014-M8x115-A4-70	.1
550	2174682-0	1	HOSE, OVERFLOW	.1
560	2179099-0	2	O-RING 46x3	.1



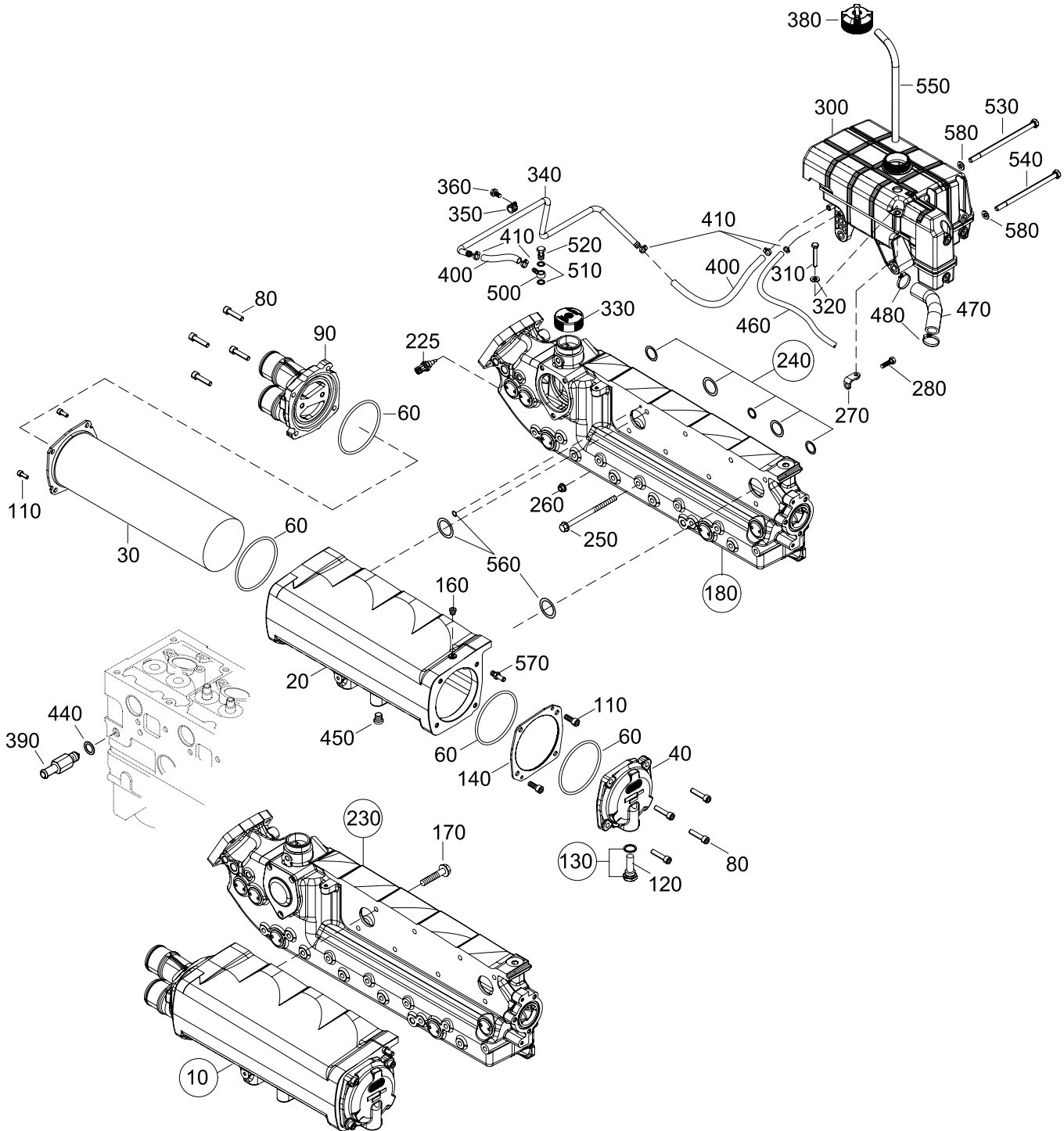


TA 0114

SE236 S36
MARINE

EXHAUST, HEAT EXCHANGER, GASKETS
ENG. NO.: 682340975-682381049, EXEMPT 682380753-682380758

01146284-1



EXHAUST, HEAT EXCHANGER, GASKETS
ENG. NO.: 682340975-682381049, EXEMPT 682380753-682380758

SE236 536
MARINE

01146284-1

Pos.	Part.-No.	Qty	Designation	Step
10	Z026115-0	1	HEAT EXCHANGER ASSY. (RAL9006)	.1
20	500091	1	HEAT EXCHANGER HOUSING (RAL9006)	.2
30	700974	1	HEAT EXCHANGER	.2
40	500092	1	COVER HEAT EXCHANGER (RAL9006)	.2
60	900090	4	O-RING 107.55x3.53-FPM70-ISO3601-1A	.2
80	9000064-0	8	HEX.SCR.ISO 4762-M8x35-8.8-FLZNNC-720H-L	.2
90	500093	1	COVER HEAT EXCHANGER (RAL9006)	.2
110	3862316-0	4	SCR. ISO 4762-M6x16-8.8-FLZNNC-720H-L	.2
120	2178413-1	1	ZINC ANODE	.2
130	Z002017-0	1	PLUG & SEAL FOR ZINC-ANODE	.2
140	700975	1	SPACER	.2
160	9000585-0	1	HEX.SOCK.SCR.PLUG WITH RUBBER SEAL M10x1	.2
170	9000304-0	8	BOLT EN1665-M8x60-8.8-FLZNNC-720H-L	.1
180	Z026114-0	1	EXHAUST MANIFOLD ASSY. (RAL9006)	.1
225	2180773-0	1	TEMPERATURE SENSOR W. SEAL RING	.1
230	Z026118-0	1	EXHAUST MANIFOLD COMPL. ASSY. (RAL9006)	.1
240	Z002652-0	1	SEAL KIT, EXH.MANIF.-BLOCK (O-RINGS)	.1
250	900590	12	HEX.BOL.EN1665-M8x135-10.9-FLZNNC-720H-L	.1
260	3880049-0	3	HEX.FLANGE NUT EN 1661-M6-A4-70	.1
270	2180918-0	1	FASTENING TAB, EXPANSION TANK	.1
280	3800238-0	1	HEX.HD.SCR. ISO 4017-M6x12-A4-70	.1
300	2179855-0	1	EXPANSION TANK	.1
310	9000539-0	1	HEX.HD.SCR. ISO 4017-M6x40-A2-70	.1
320	9000012-0	1	WASHER ISO 7093-6.4-140HV-A2	.1
330	Z021020-0	1	SEALING CAP COOLER	.1
340	500912	1	PIPE WATER EXPANSION TANK	.1
350	2205232-1	2	CLAMP RS1.8/15-W1	.1
360	9001001-0	2	HEX.FLANGE BOLT EN 1665-M6x16-A4-70	.1
380	2181153-0	1	RADIATOR CAP	.1
390	2180843-0	1	DRAIN COCK ASSY.	.1
400	500909	1	HOSE DN6, DMI=8 L=500±5	.1



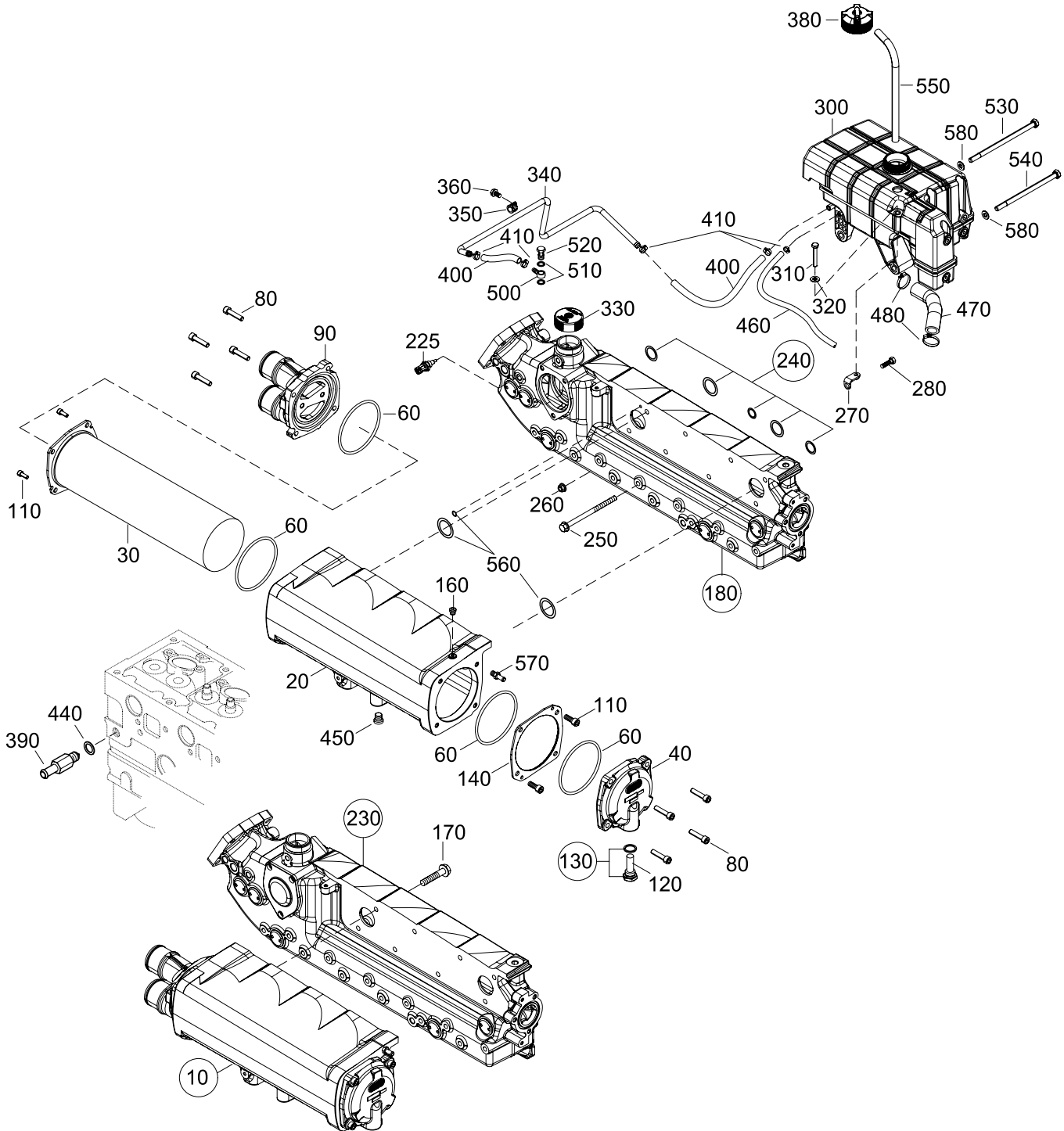


TA 0114

SE236 S36
MARINE

EXHAUST, HEAT EXCHANGER, GASKETS
ENG. NO.: 682340975-682381049, EXEMPT 682380753-682380758

01146284-1



<p align="center">EXHAUST, HEAT EXCHANGER, GASKETS ENG. NO.: 682340975-682381049, EXEMPT 682380753-682380758</p>	<p>SE236 536 MARINE</p>
---	--

01146284-1

Pos.	Part.-No.	Qty	Designation	Step
410	9001150-0	4	HOSE CLAMP 9,8-12,3	.1
440	3098015-0	1	SEALING RING DIN 7603-A14x20-CU	.1
450	9000587-0	1	SCR.PLUG WITH RUBBER SEAL M14x1.5	.1
460	500907	1	HOSE DN4, DMI=6 L=900±5	.1
470	2181325-0	1	MOULDED HOSE, EXPAN. TANK - INLET PIPE	.1
480	2177753-0	2	HOSE CLAMP 16-25/9	.1
500	2174383-0	1	BANJO DN6 DIN7642	.1
510	3098015-0	2	SEALING RING DIN 7603-A14x20-CU	.1
520	9000053-0	1	HO.SCR.M14x1.5-DIN7643-10-ZnNi8/An/T2	.1
530	3800493-0	1	H.BOLT ISO 4014-M8x150-8.8-FLZNNC-720H-L	.1
540	9000288-0	1	HE.BO.ISO4014-M8x140-8.8-A-FLZNNC-720H-L	.1
550	2174682-0	1	HOSE, OVERFLOW	.1
560	500112	1	SEAL KIT, HEAT EXCHANGER - EXH. MANIFOLD	.1
570	2203376-0	1	HOSE NOZZLES WITH THREAD	.1
580	3930103-0	2	WASHER ISO 7089-8-A4-200HV	.1

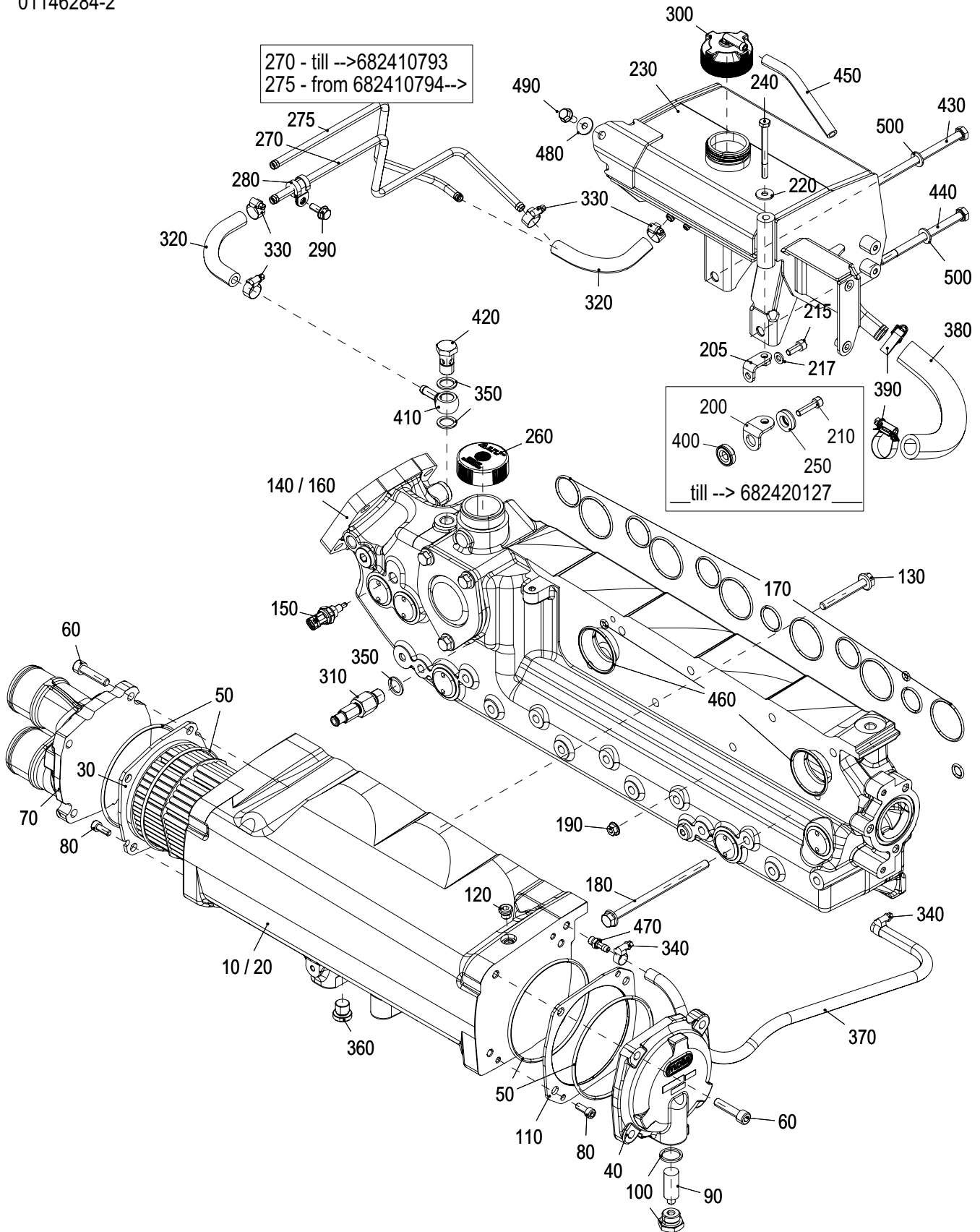


TA 0114

SE236 S36 MARINE

EXHAUST, HEAT EXCHANGER, GASKETS ENG. NO.: 682380753-682380758, 682381050-->AND HIGHER

01146284-2



EXHAUST, HEAT EXCHANGER, GASKETS
ENG. NO.: 682380753-682380758, 682381050-->AND HIGHER

SE236 536
MARINE

01146284-2

Pos.	Part.-No.	Qty	Designation	Step
10	Z026115-0	1	HEAT EXCHANGER ASSY. (RAL9006)	.1
20	500091	1	HEAT EXCHANGER HOUSING (RAL9006)	.2
30	700974	1	HEAT EXCHANGER	.2
40	500092	1	COVER HEAT EXCHANGER (RAL9006)	.2
50	900090	4	O-RING 107.55x3.53-FPM70-ISO3601-1A	.2
60	9000064-0	8	HEX.SCR.ISO 4762-M8x35-8.8-FLZNNC-720H-L	.2
70	500093	1	COVER HEAT EXCHANGER (RAL9006)	.2
80	3862316-0	4	SCR. ISO 4762-M6x16-8.8-FLZNNC-720H-L	.2
90	2178413-1	1	ZINC ANODE	.2
100	Z002017-0	1	PLUG & SEAL FOR ZINC-ANODE	.2
110	700975	1	SPACER	.2
120	9000585-0	1	HEX.SOCK.SCR.PLUG WITH RUBBER SEAL M10x1	.2
130	9000304-0	8	BOLT EN1665-M8x60-8.8-FLZNNC-720H-L	.1
140	Z026114-0	1	EXHAUST MANIFOLD ASSY. (RAL9006)	.1
150	2180773-0	1	TEMPERATURE SENSOR W. SEAL RING	.1
160	Z026118-0	1	EXHAUST MANIFOLD COMPL. ASSY. (RAL9006)	.1
170	Z002652-0	1	SEAL KIT, EXH.MANIF.-BLOCK (O-RINGS)	.1
180	900590	12	HEX.BOL.EN1665-M8x135-10.9-FLZNNC-720H-L	.1
190	3880049-0	3	HEX.FLANGE NUT EN 1661-M6-A4-70	.1
200	2181222-0	1	BRACKET EXPANSION TANK	.1
205	2180918-0	1	FASTENING TAB, EXPANSION TANK	.1
210	9001088-0	1	HEX.SOCK. SCR. ISO 4762-M6x25-A2-70	.1
215	3862316-0	1	SCR. ISO 4762-M6x16-8.8-FLZNNC-720H-L	.1
217	3930251-0	1	WASHER ISO 7089-6-140HV-FLZNNC-480H	.1
220	9000012-0	1	WASHER ISO 7093-6.4-140HV-A2	.1
230	Z026156-0	1	EXPANSION TANK (RAL9006)	.1
240	9001104-0	1	HEX. BOLT ISO 4014-M6x70-A2-70	.1
250	2201540-0	3	WASHER, W. KNITTED WIRE MESH	.1
260	Z021020-0	1	SEALING CAP COOLER	.1
270	500912	1	PIPE WATER EXPANSION TANK	.1
275	501081	1	PIPE WATER EXPANSION TANK	.1



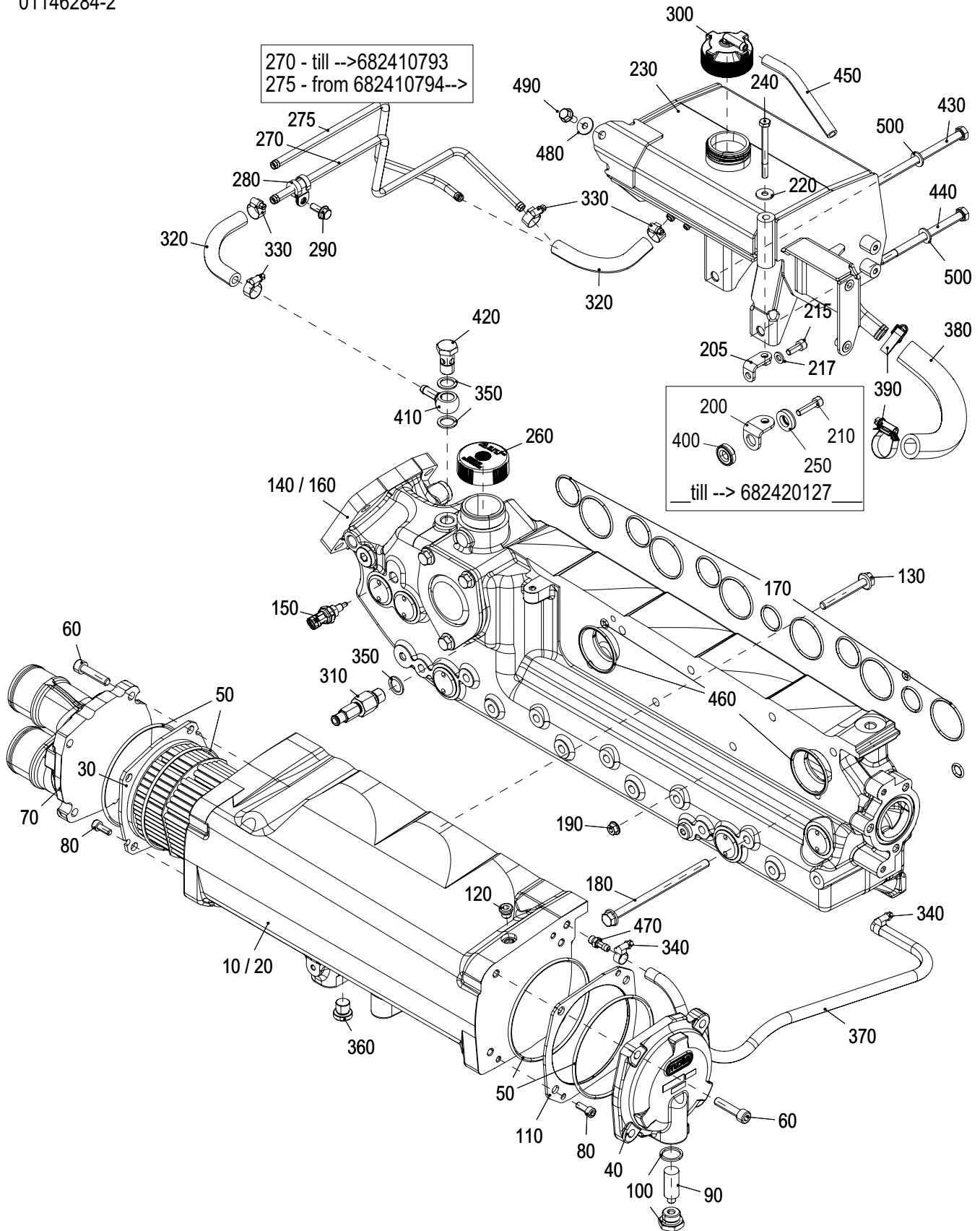


TA 0114

SE236 S36 MARINE

EXHAUST, HEAT EXCHANGER, GASKETS ENG. NO.: 682380753-682380758, 682381050-->AND HIGHER

01146284-2



EXHAUST, HEAT EXCHANGER, GASKETS
ENG. NO.: 682380753-682380758, 682381050-->AND HIGHER

SE236 S36
MARINE

01146284-2

Pos.	Part.-No.	Qty	Designation	Step
280	2205232-1	2	CLAMP RS1.8/15-W1	.1
290	9001001-0	2	HEX.FLANGE BOLT EN 1665-M6x16-A4-70	.1
300	2181153-0	1	RADIATOR CAP	.1
310	2180843-0	1	DRAIN COCK ASSY.	.1
320	500908	1	HOSE DN6, DMI=8 L=700±5	.1
330	2174405-0	4	HOSE CLAMP 10-16/7.5	.1
340	2178893-0	2	HOSE CLAMP 8-12-7.5	.1
350	9001171-0	3	BOUNDED SEAL 14.7x21x1.5	.1
360	9000587-0	1	SCR.PLUG WITH RUBBER SEAL M14x1.5	.1
370	500906	1	HOSE DN4, DMI=6 L=700±5	.1
380	2178942-0	1	HOSE	.1
390	2177753-0	2	HOSE CLAMP 16-25/9	.1
400	2201541-0	3	SLEEVE, W. KNITTED WIRE MESH	.1
410	2174383-0	1	BANJO DN6 DIN7642	.1
420	9000053-0	1	HO.SCR.M14x1.5-DIN7643-10-ZnNi8/An/T2	.1
430	3800493-0	1	H.BOLT ISO 4014-M8x150-8.8-FLZNNC-720H-L	.1
440	9000329-0	1	HEX.HD.BOLT ISO 4014-M8x115-A4-70	.1
450	2174682-0	1	HOSE, OVERFLOW	.1
460	500112	1	SEAL KIT, HEAT EXCHANGER - EXH. MANIFOLD	.1
470	2203376-0	1	HOSE NOZZLES WITH THREAD	.1
480	900221	1	WASHER ISO 7093-1-6-200HV-A4	.1
490	9000273-0	1	BOLT EN1665-M6x16-8.8-FLZNNC-720H-L	.1
500	3930103-0	2	WASHER ISO 7089-8-A4-200HV	.1



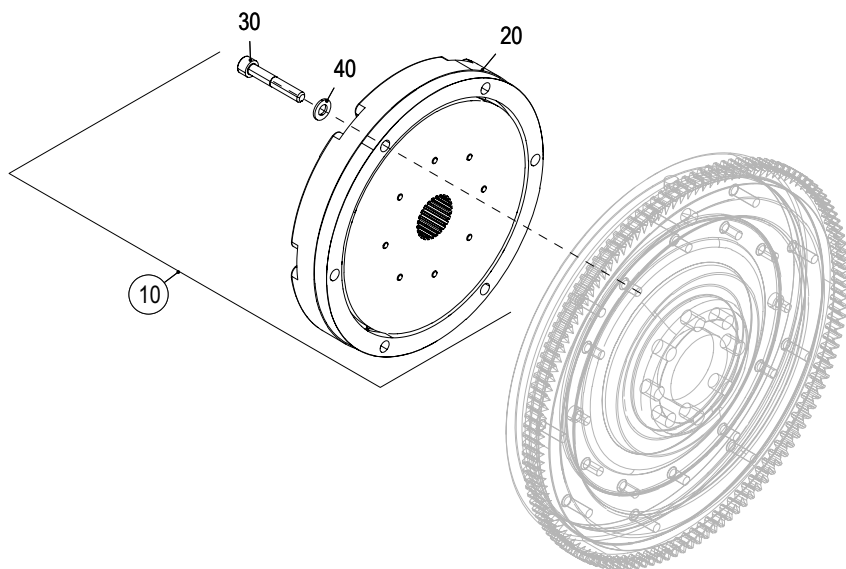


TA 0200

SE236 S36
MARINE

TORSIONAL COUPLING

02006284-0



TORSIONAL COUPLING	SE236 536 MARINE
---------------------------	-----------------------------

02006284-0

Pos.	Part.-No.	Qty	Designation	Step
10	Z002066-6	1	COUPLING KIT 20/40-26T F.GEAR & SCREWS	.1
20	2179164-0	1	COUPLER 20-40 26T	.2
30	9000467-0	6	HEX.SOCK. SCR. ISO 4762-M8x45-10.9-DAC	.2
40	3930103-0	6	WASHER ISO 7089-8-A4-200HV	.2



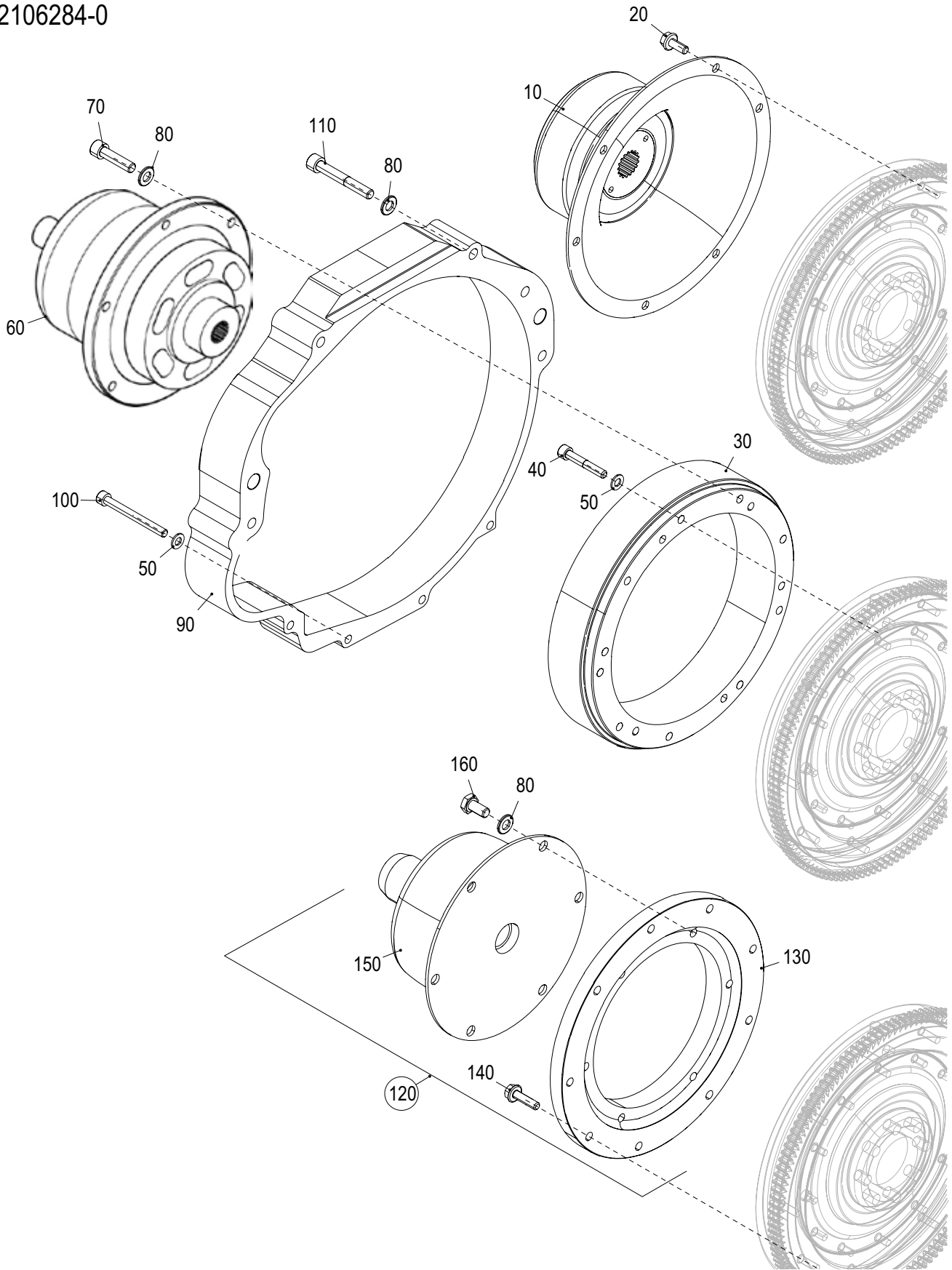


TA 0210

SE236 S36
MARINE

COUPLER

02106284-0



**COUPLER****SE236 S36
MARINE**

02106284-0

Pos.	Part.-No.	Qty	Designation	Step
10	Z021002-0	1	S.P. COUPLER	.1
20	9000305-0	6	BOLT EN1665-M8x20-10.9-FLZNNC-720H-L	.1
30	2179073-0	1	ADAPTER FLY-WHEEL MERCURY DUAL STAGE	.1
40	3862452-0	9	HEX.SCR.ISO 4762-M8x50-8.8-FLZNNC-720H-L	.1
50	3930103-0	13	WASHER ISO 7089-8-A4-200HV	.1
60	2178860-S	1	COUPLER MERCURY-BRAVO DUAL STAGE	.1
70	3860149-0	6	HEX.SCR.ISO4762-M10x40-8.8-FLZNNC-720H-L	.1
80	3930075-0	17	WASHER ISO 7089-10-A4-200HV	.1
90	2179072-9	1	INTERMEDIATE FLANGE (RAL9006)	.1
100	3862478-0	4	HEX.SOCK. SCR. ISO 4762-M8x80-8.8-A2C	.1
110	3862680-0	5	HEX.SCR.ISO4762-M10x90-8.8-FLZNNC-720H-L	.1
120	Z002066-4	1	COUPLING KIT MERCURY-BRAVO (COM.)	.1
130	2179078-0	1	ADAP. FLY-WHEEL MERCURY 6 CYL. (COM.)	..2
140	9000431-0	9	BOLT EN1665-M8x30-10.9-FLZNNC-720H-L	..2
150	2178860-M	1	COUPLER MERCURY	..2
160	3802515-0	6	HEX.SCR.ISO4017-M10x20-8.8-FLZNNC-720H-L	..2



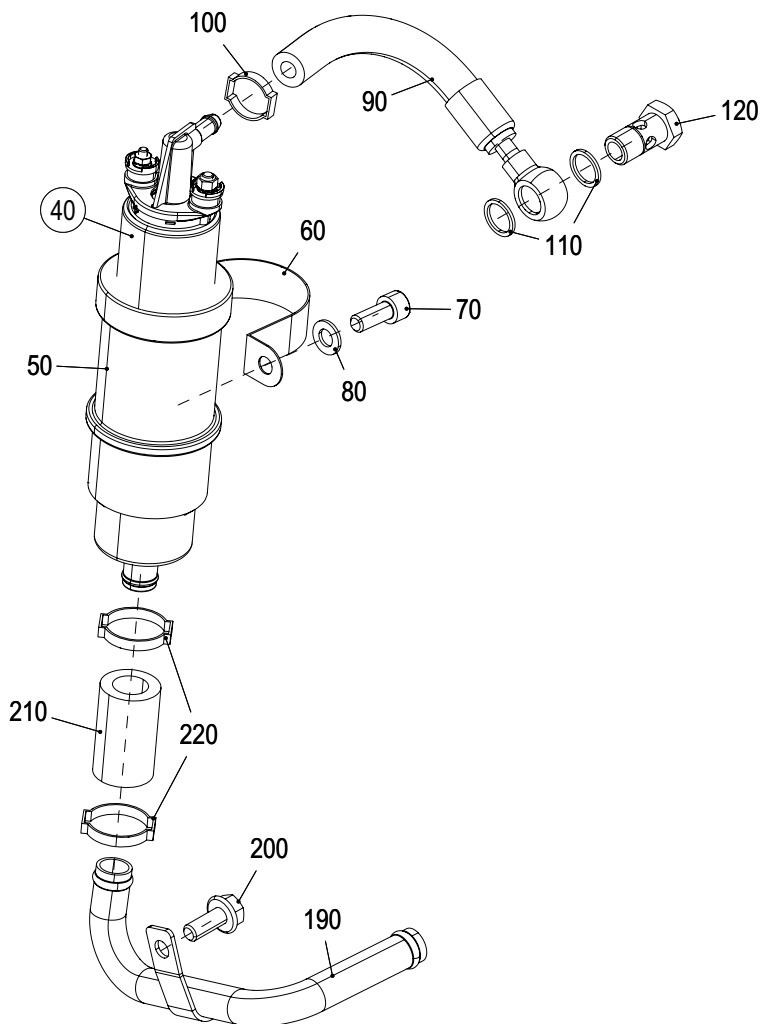
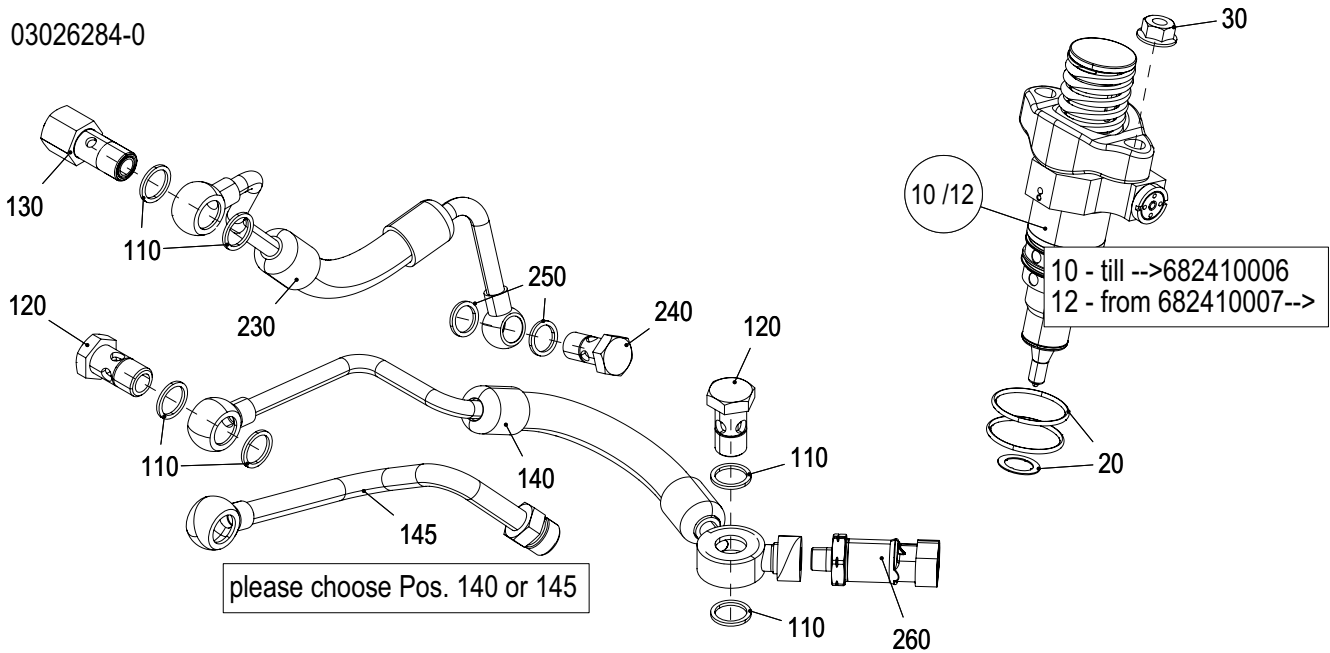


TA 0302

SE236 S36
MARINE

FUEL PUMP, UNIT INJECTOR, FUEL LINES

03026284-0



FUEL PUMP, UNIT INJECTOR, FUEL LINES

**SE236 S36
MARINE**

03026284-0

Pos.	Part.-No.	Qty	Designation	Step
10	Z002030-E	6	UNIT INJECTOR + SEALINGS	.1
12	500881	6	UNIT INJECTOR + SEALINGS	.1
20	Z002031-0	1	SEAL KIT, UNIT INJECTOR	..2
30	9000050-0	12	HEX.FLANGE NUT DIN 6331-M8-10	.1
40	500637	1	FUEL PUMP 12V ASSY.	.1
50	2173396-I	1	ISOLATING SLEEVE FUEL PUMP	.1
60	9001071-0	1	CLAMP RS2.53/20-W5	.1
70	9000063-0	2	HEX.SOCK. SCR. ISO 4762-M8x20-A4-70	.1
80	3930103-0	2	WASHER ISO 7089-8-A4-200HV	.1
90	2180865-0	1	FUEL HOSE PUMP-FILTER	.1
100	2178995-0	1	HOSE CLAMP 17.5mm	.1
110	9001171-0	8	BOUNDED SEAL 14.7x21x1.5	.1
120	9000053-0	3	HO.SCR.M14x1.5-DIN7643-10-ZnNi8/An/T2	.1
130	800052	1	PRESSURE LIMIT VALVE	.1
140	2180891-0	1	FUEL HOSE ASSY.	.1
145	708320	1	PIPE FUEL INLET	.1
190	2180851-0	1	FUEL PIPE	.1
200	9000305-0	1	BOLT EN1665-M8x20-10.9-FLZNNC-720H-L	.1
210	500890	1	FUEL SUPPLY HOSE PUMP - FILTER	.1
220	2180670-0	2	HOSE CLAMP 27mm	.1
230	2180892-0	1	FUEL HOSE ASSY. BLOCK - COOLER	.1
240	11868	1	HO.SCR.M12x1.5-DIN7643-8-3-FLZNNC-720H-L	.1
250	9001170-0	2	BOUNDED SEAL 12.7x19x1.5	.1
260	2180804-0	1	PRESSURE SENSOR	.1



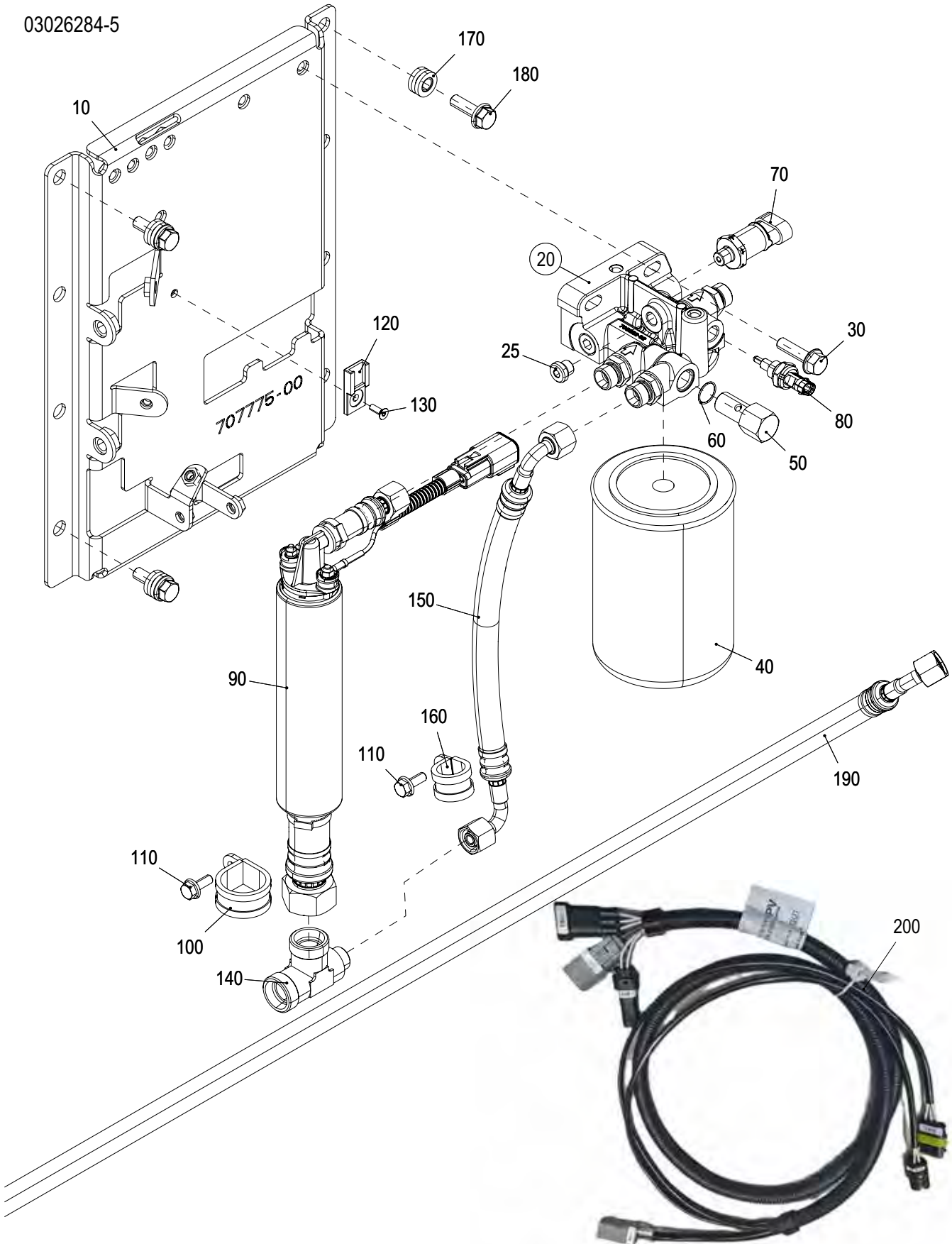


TA 0302

SE236 S36
MARINE

FUEL SYSTEM EXTERNAL FROM 06/2024

03026284-5



FUEL SYSTEM EXTERNAL FROM 06/2024
**SE236 536
MARINE**

03026284-5

Pos.	Part.-No.	Qty	Designation	Step
10	707775	1	MOUNTING PLATE, FUEL SYSTEM EXT.	.1
20	501053	1	BRACKET FUEL-FILTER ASSY.	.1
25	9000585-0	1	HEX.SOCK.SCR.PLUG WITH RUBBER SEAL M10x1	.2
30	9000431-0	2	BOLT EN1665-M8x30-10.9-FLZNNC-720H-L	.1
40	2180831-0	1	FUEL SPIN-ON FILTER	.1
50	800053	1	PRESSURE LIMIT VALVE	.1
60	900576	1	O-RING 14x1-FKM80-ISO3601-1A	.1
70	2180804-0	1	PRESSURE SENSOR	.1
80	2180773-0	1	TEMPERATURE SENSOR W. SEAL RING	.1
90	803078	1	FUEL PUMP 12V ASSY.	.1
100	2202858-0	1	PIPE CLAMP RSGU1.30/20-W5	.1
110	3802321-0	2	HEX.SCR.ISO 4017-M6x16-8.8-FLZNNC-720H-L	.1
120	9000136-0	1	CLIP	.1
130	900019	1	SCR. DIN 7991-M4x12-8.8-FLZNNC-720H-L	.1
140	707790	1	RED. SCREW JOINT T-TYPE	.1
150	707779	1	FUEL SUPPLY HOSE FILTER - T-PART	.1
160	704848	1	PIPE CLAMP RSGU1.19/15-W5	.1
170	501141	1	SPARE PART KIT, INSULATING WASHERS	.1
180	900226	4	BOLT EN1665-M8x25-8.8-FLZNNC-720H-L	.1
190	707830	1	FUEL HOSE ASSY.	.1
200	707616	1	EXTENSION CABLE FUEL PUMP 1,5m	.1



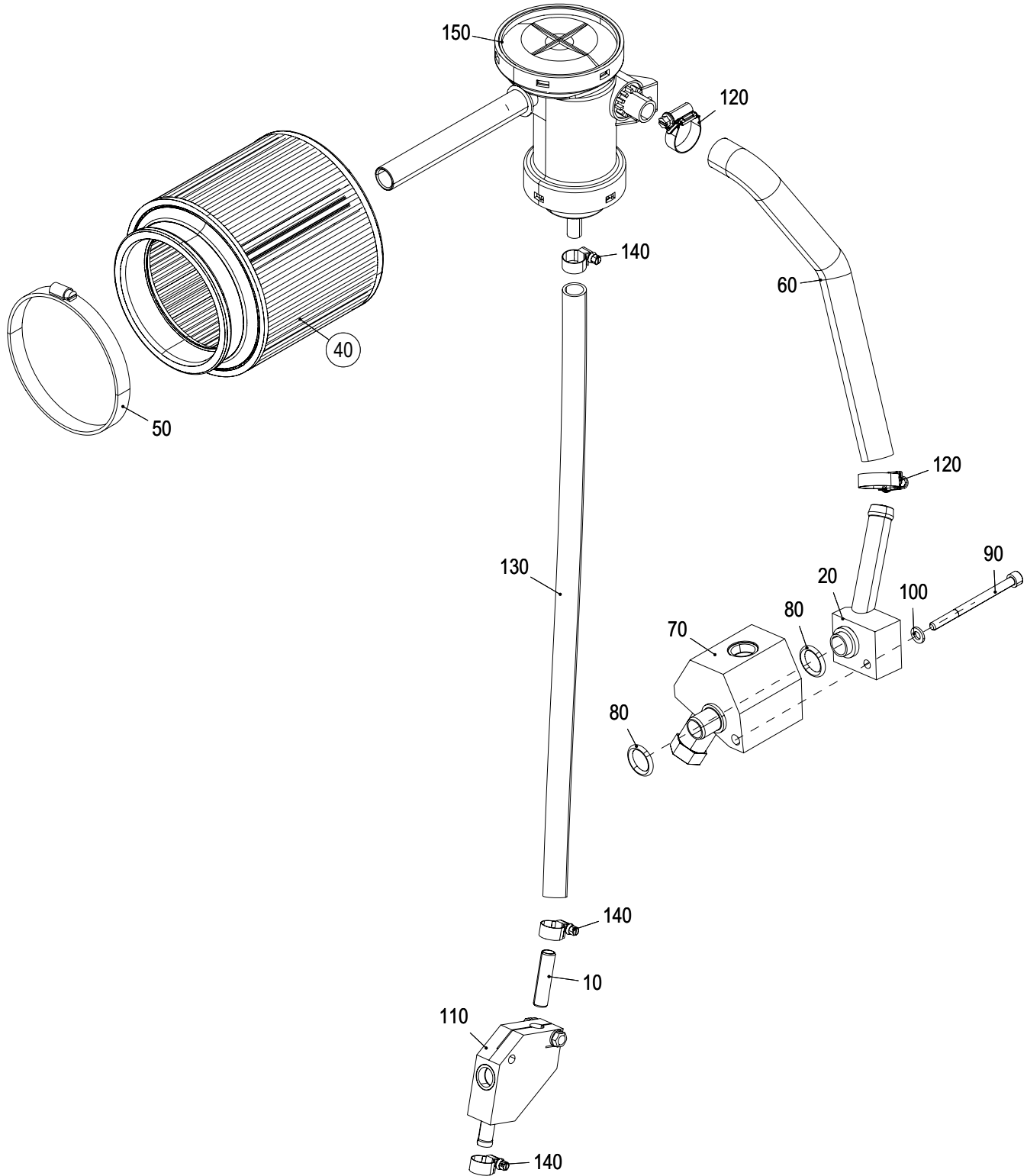


TA 0304

SE236 S36
MARINE

AIRFILTER, INVERSIONVALVE SOLAS

03046284-0



AIRFILTER, INVERSIONVALVE SOLAS	SE236 536 MARINE
---------------------------------	-----------------------------------

03046284-0

Pos.	Part.-No.	Qty	Designation	Step
10	2179550-0	1	PIPE	.1
20	500061	1	ADAPTER SOLAS (RAL9006)	.1
40	Z002100-4	1	AIR FILTER + HOSE CLAMP	.1
50	2178943-0	1	HOSE CLAMP 90-110/12-W4	.2
60	707910	1	MOULDED HOSE OIL SEPARATOR	.1
70	2179069-9	1	BALL VALVE ASSY. (RAL9006)	.1
80	2178310-1	2	O-RING 17x3.53	.1
90	9000633-0	1	SCR. ISO 4762-M6x80-8.8-FLZNNC-720H-L	.1
100	3930251-0	1	WASHER ISO 7089-6-140HV-FLZNNC-480H	.1
110	2179070-9	1	BALL VALVE ASSY. (RAL9006)	.1
120	2177753-0	2	HOSE CLAMP 16-25/9	.1
130	707514	1	HOSE, OIL DRAIN L=460	.1
140	2174405-0	4	HOSE CLAMP 10-16/7.5	.1
150	Z002051-1	1	OIL SEPARATOR WITH PIPE	.1



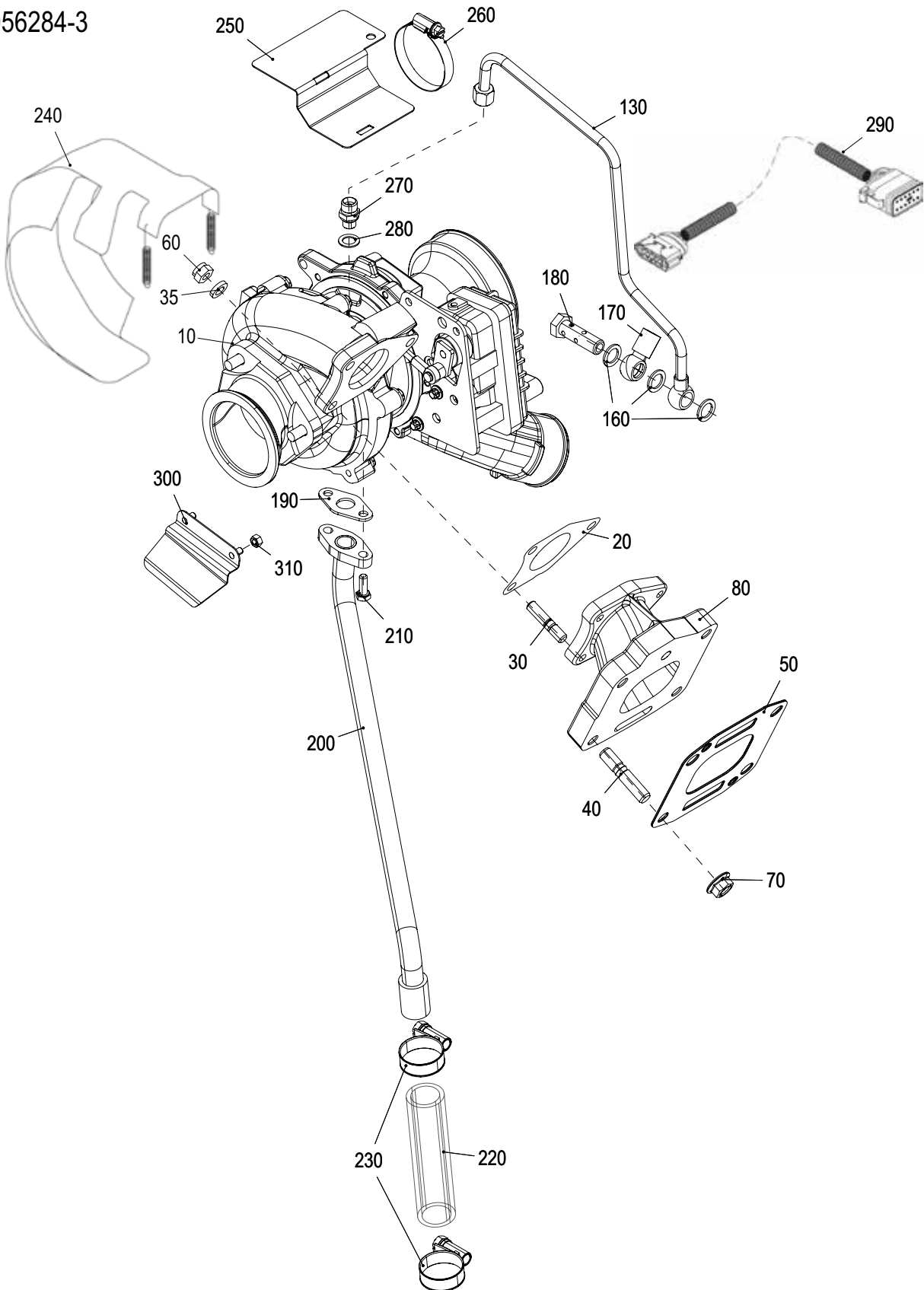


TA 0305

SE236 S36
MARINE

TURBO

03056284-3



TURBO

SE236 536
MARINE

03056284-3

Pos.	Part.-No.	Qty	Designation	Step
10	Z026148-0	1	TURBO ASSY. (RAL9006)	.1
20	2181053-0	1	GASKET TURBO CHARGER	.1
30	2178608-0	3	STUD DIN 939-M8x30-HTR	.1
35	2201236-0	3	WASHER	.1
40	9000515-0	4	STUD DIN 835-M10x30-8.8-FLZNNC-720H-L	.1
50	2178487-4	1	GASKET, TURBO CHARGER	.1
60	9001411-0	3	NUT DIN 14440-M8	.1
70	9000042-1	4	HEX. NUT DIN 6923-M10-8-FLZNNC-720H-L	.1
80	2181009-0	1	INTERMEDIATE FLANGE ASSY. INCL. STUDS	.1
130	2180940-0	1	OIL SUPPLY PIPE TURBO ASSY.	.1
160	9001170-0	3	BOUNDED SEAL 12.7x19x1.5	.1
170	2203772-0	1	BRACKET OIL PRESSURE SENSOR	.1
180	2203591-0	1	DOUBLE HOLLOW SCREW M12x1.5 DIN 7643-8	.1
190	2203278-0	1	GASKET OIL-RETURN TURBOCHARGER	.1
200	2180939-0	1	OIL RETURN PIPE TURBO ASSY.	.1
210	3802321-0	2	HEX.SCR.ISO 4017-M6x16-8.8-FLZNNC-720H-L	.1
220	2178298-1	1	HOSE, OIL RETURN	.1
230	2177464-0	2	CLAMP 20-32/12	.1
240	2181113-0	1	HEAT PROTECTING TURBO	.1
250	2181223-0	1	HEAT PROTECTING SHEET, TURBO	.1
260	2174407-0	1	HOSE CLAMP 40-60/9-W4	.1
270	2181231-0	1	PIPE UNION ADAPTOR	.1
280	3098011-0	1	SEALING RING DIN 7603-A10x16-CU	.1
290	2181124-0	1	HARNESS, VTG	.1
300	2181198-0	1	HEAT PROTECTING SHEET, TURBO	.1
310	3870050-0	2	HEX.NUT ISO 4032-M5-A2-70	.1



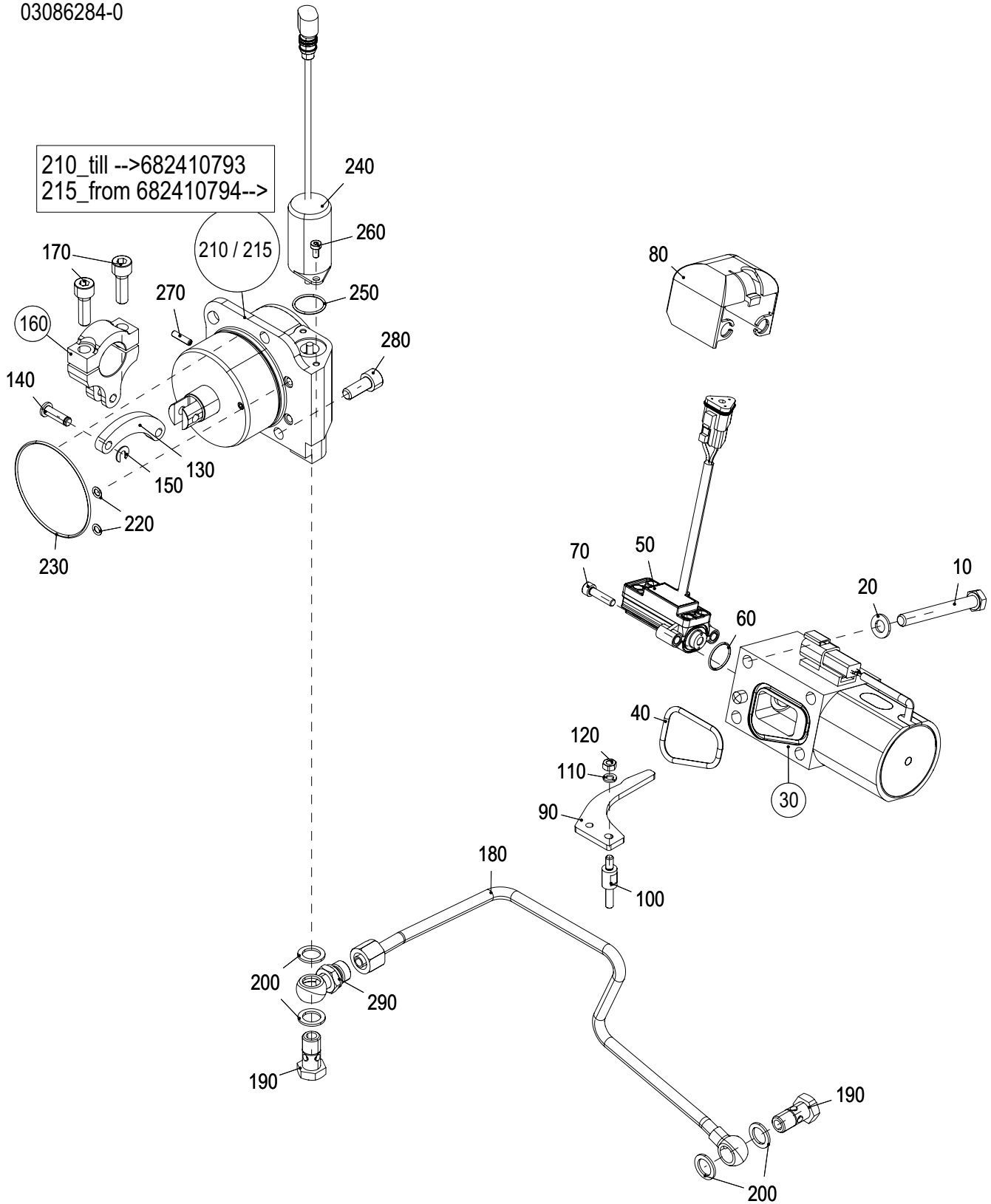


TA 0308

SE236 S36
MARINE

CONTR. SOLENOID, INJEC. TIMING DEVICE

03086284-0



CONTR. SOLENOID, INJEC. TIMING DEVICE	SE236 S36 MARINE
--	-----------------------------

03086284-0

Pos.	Part.-No.	Qty	Designation	Step
10	9000446-1	4	HEX.HD.BOLT ISO 4014-M8x70-A4-70	.1
20	3930103-0	4	WASHER ISO 7089-8-A4-200HV	.1
30	Z002153-0	1	CONTROL SOLENOID	.1
40	2179707-0	1	O-RING 43x3.5	..2
50	Z002160-0	1	SENSOR, CONTROL RACK POSITION	..2
60	2179708-0	1	O-RING 18x1.5	..2
70	9000116-1	2	HEX.SOCK. SCR. ISO 4762-M5x20-A2-70	..2
80	2179766-0	1	PROTECTING CAP, RACK-SENSOR	..2
90	2176745-2	1	CONTROL-LEVER	.1
100	2176746-1	2	DISTANCE-SHAFT	.1
110	3931062-0	4	SP.LO.WASH. DIN 127-B5-FST-FLZNNC-480H	.1
120	3871222-0	4	HEX.NUT ISO 4032-M5-8-FLZNNC-720H-L	.1
130	2205591-0	1	CONNECTING ROD	.1
140	2205593-0	2	PARALLEL PIN	.1
150	9000483-0	2	RETAINING WASHER F.SHAFT DIN 6799-5	.1
160	500967	1	TORSION ARM ASSY.	.1
170	9000737-0	2	HEX.SOCK. SCR. ISO 4762-M8x25-10.9	..2
180	701425	1	OIL SUPPLY PIPE ASSY. ITD	.1
190	11868	2	HO.SCR.M12x1.5-DIN7643-8-3-FLZNNC-720H-L	.1
200	9001170-0	4	BOUNDED SEAL 12.7x19x1.5	.1
210	Z026135-0	1	INJEC. TIMING DEVICE ASSY. (RAL9006)	.1
215	500950	1	INJEC. TIMING DEVICE ASSY. (RAL9006)	.1
220	2179365-0	2	O-RING 5x1.5-NBR70-ISO3601-1A	..2
230	2179369-0	1	O-RING 66.4x1.78-NBR70-ISO3601-1A	..2
240	2181491-0	1	MAGNETIC VALVE - ITD	..2
250	2179391-0	1	O-RING 19x1.5-NBR70-ISO3601-1A	..2
260	900632	2	HEX.SOCK. SCR. DIN 7984-M4x8-A2-70	..2
270	9000499-0	2	SET SCREW ISO 4029-M4x16-A4-70	.1
280	9000063-0	3	HEX.SOCK. SCR. ISO 4762-M8x20-A4-70	.1
290	2180866-0	1	BANJO	.1





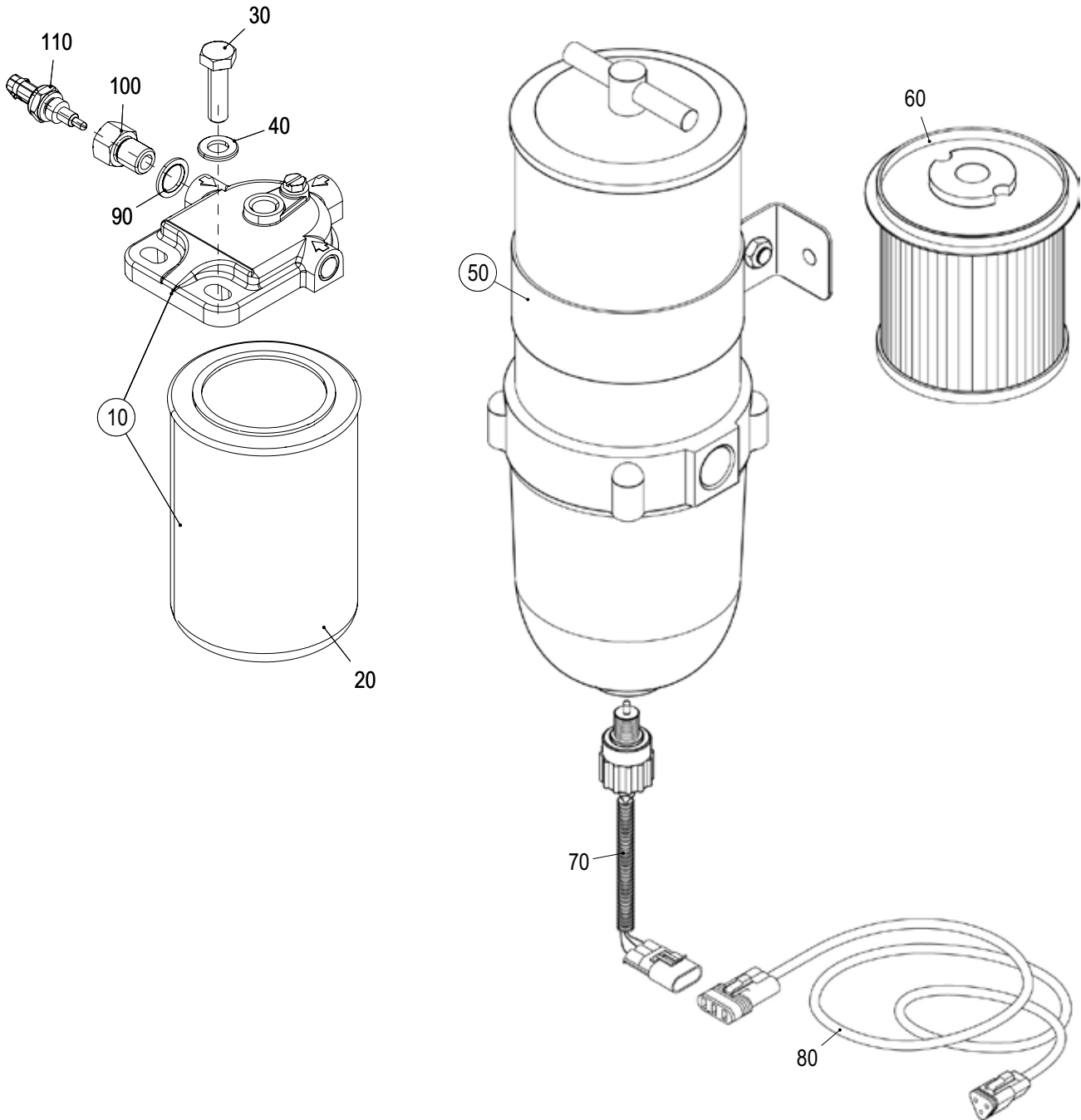
TA 0309

SE236 S36
MARINE

FUEL FILTER

03096284-0

Pos. 90-110 from 682410007-->



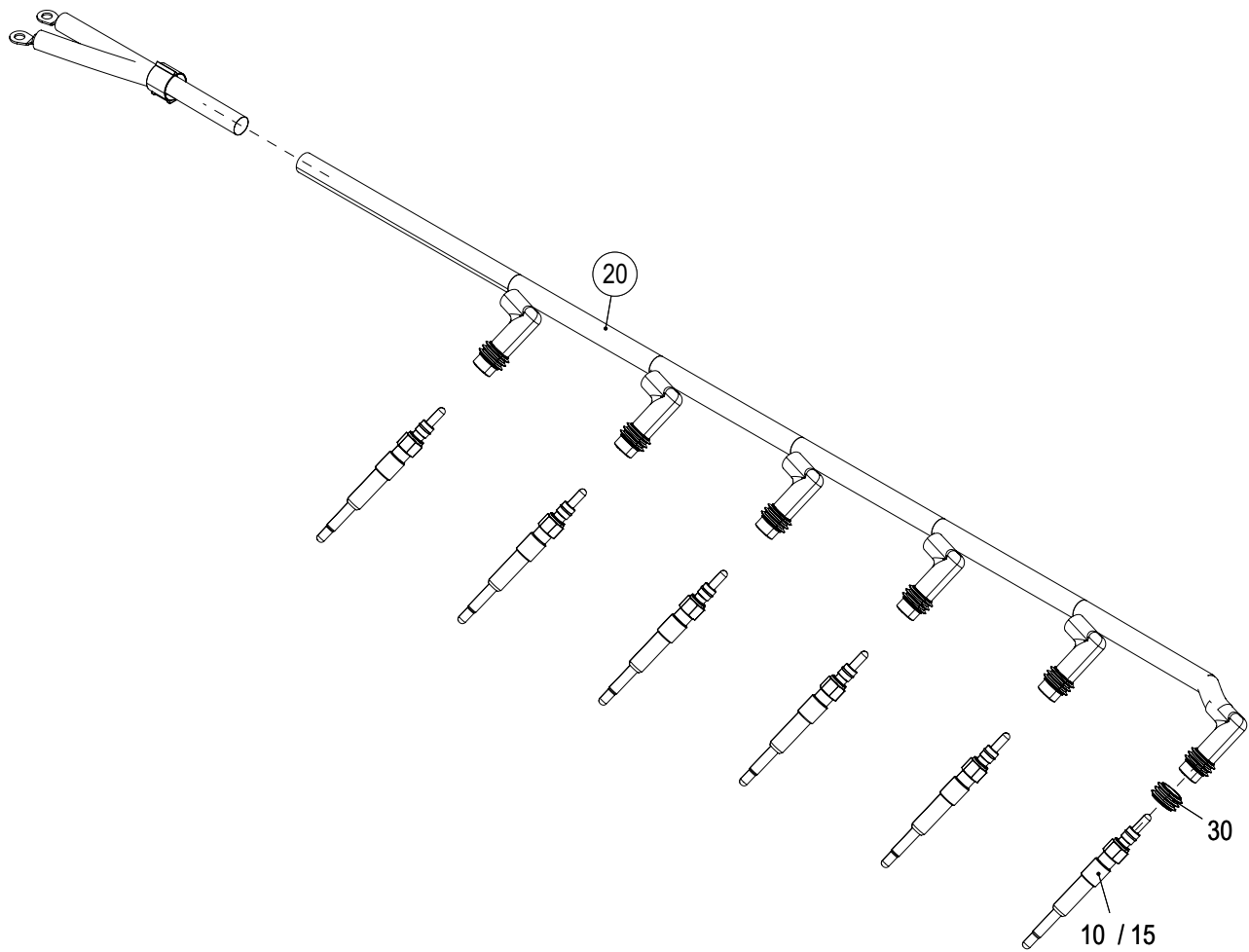


TA 0311

SE236 S36
MARINE

GLOW PLUG

03116084-0



<p>GLOW PLUG</p>	<p>SE236 S36 MARINE</p>
------------------	------------------------------------

03116084-0

Pos.	Part.-No.	Qty	Designation	Step
10	2177492-5	6	GLOW PLUG (STANDARD)	.1
15	2177492-6	1	GLOW PLUG 23V (OPTION)	.1
20	2200215-8	1	CABLE GLOW-PLUG ASSY. 6 CYL.	.1
30	2179256-0	6	GASKET GLOW PLUG CONNECTOR	.2





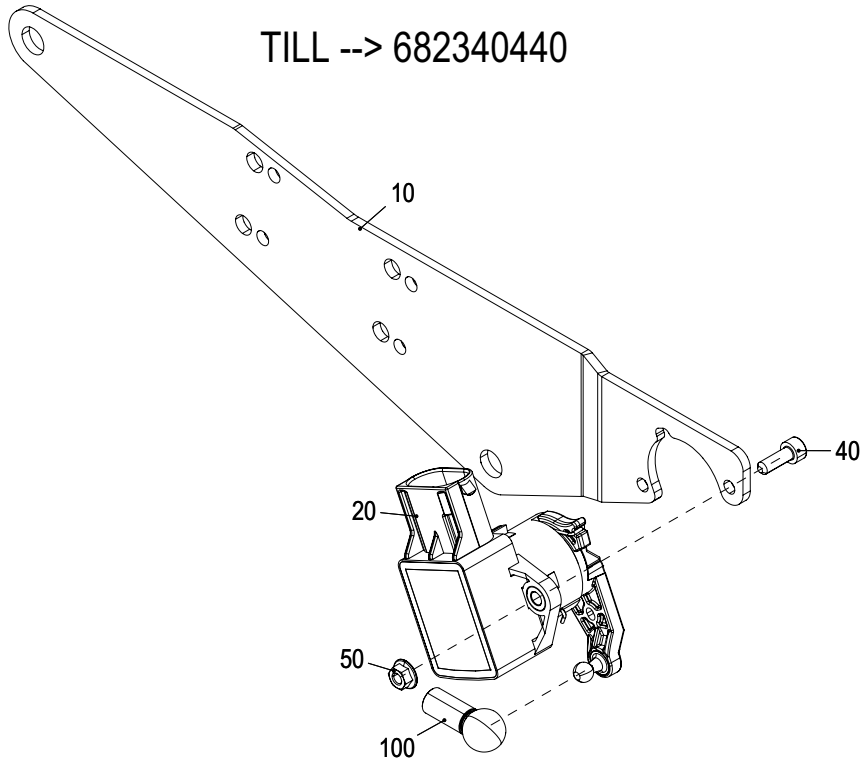
TA 0312

SE236 S36
MARINE

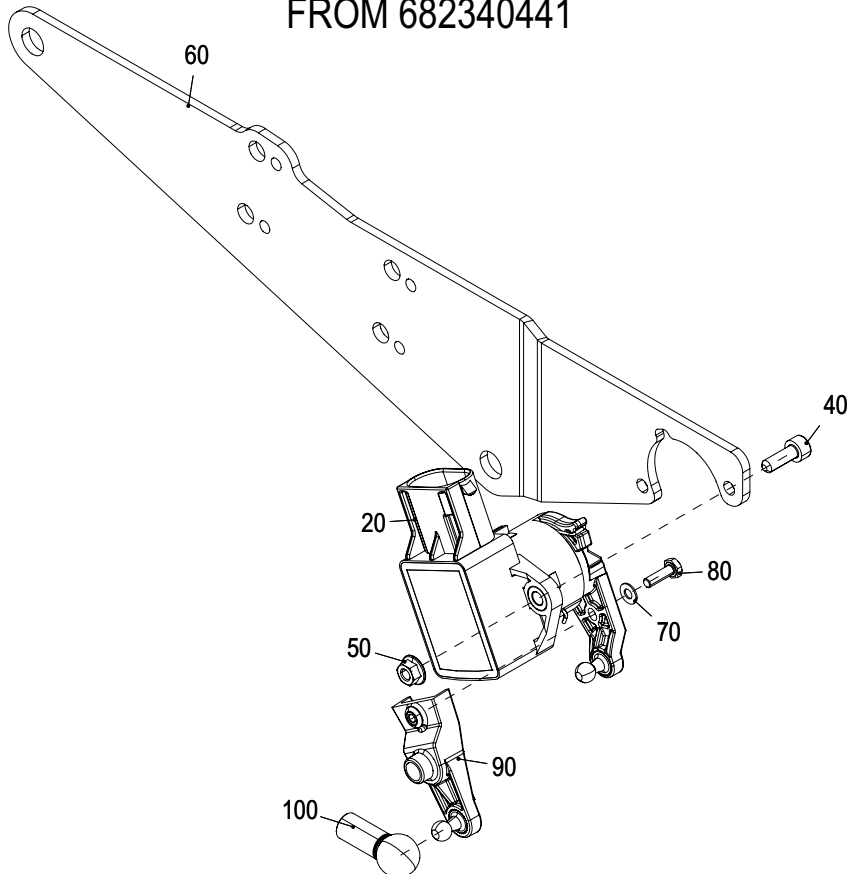
POTENTIOMETER ACCELERATOR

03126284-0

TILL --> 682340440



FROM 682340441



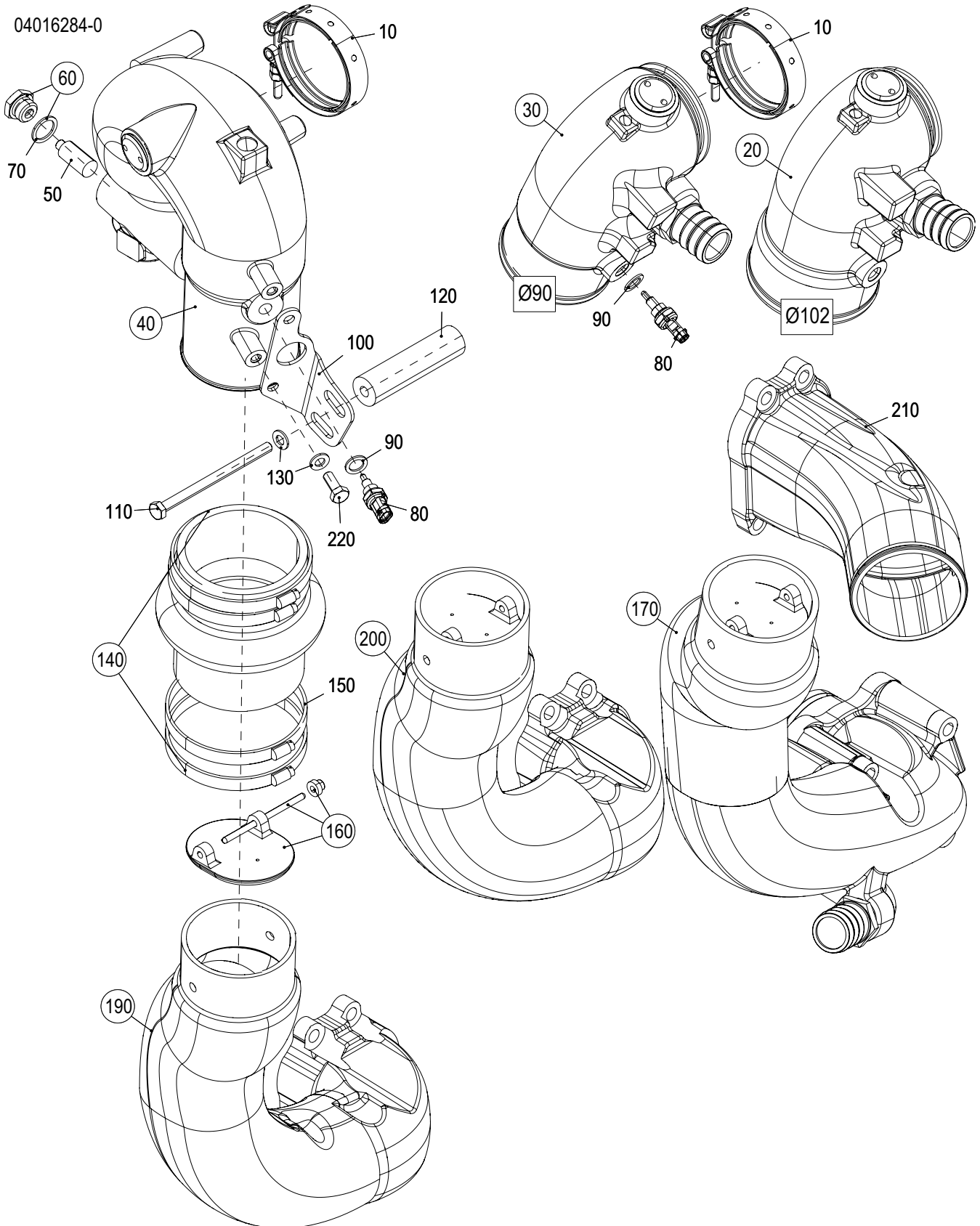


TA 0401

SE236 S36
MARINE

HIGH RISER, EXHAUSTPIPE

04016284-0



HIGH RISER, EXHAUSTPIPE

**SE236 S36
MARINE**

04016284-0

Pos.	Part.-No.	Qty	Designation	Step
10	2179198-0	1	V-CLAMP	.1
20	Z026133-0	1	ELBOW ASSY. EXHAUST Ø102 (RAL9006)	.1
30	2179008-8	1	ELBOW ASSY. EXHAUST Ø90 (RAL9006)	.1
40	Z002626-5	1	ELBOW EXHAUST ASSY. (RAL9006)	.1
50	2178413-1	1	ZINC ANODE	..2
60	Z002017-0	1	PLUG & SEAL FOR ZINC-ANODE	..2
70	900631	1	SEALING RING DIN 7603-A18x24-CU	..2
80	2180773-0	1	TEMPERATURE SENSOR W. SEAL RING	.1
90	3098013-0	1	SEALING RING DIN 7603-A12x18-CU	.1
100	2181087-0	1	BRACKET SUPPORT, ELBOW (RAL9006)	.1
110	9000288-2	1	HEX.HD.BOLT ISO 4014-M8x120-A2-70	.1
120	2181129-0	1	DISTANCE PIPE	.1
130	3930103-0	3	WASHER ISO 7089-8-A4-200HV	.1
140	Z002072-0	1	KIT, HOSE-EXHAUST PIPE	.1
150	2178943-0	4	HOSE CLAMP 90-110/12-W4	..2
160	Z002063-0	1	FLAP KIT, EXHAUST PIPE	.1
170	2178885-0	1	EXHAU. PIPE (RAL9006) VOLVO DP290 R4, R6	.1
190	500943	1	EXHAUST PIPE ASSY. MERCURY	.1
200	2178886-2	1	EXHAUST PIPE AY.DUAL ST.COUPLE. (RAL9006)	.1
210	Z002121-0	1	EXHAUST FLANGE MERCURY-TRANSMOM (RAL9006)	.1
220	9001424-0	2	HEX.HD.SCR. ISO 4017-M8x20-A4-70	.1



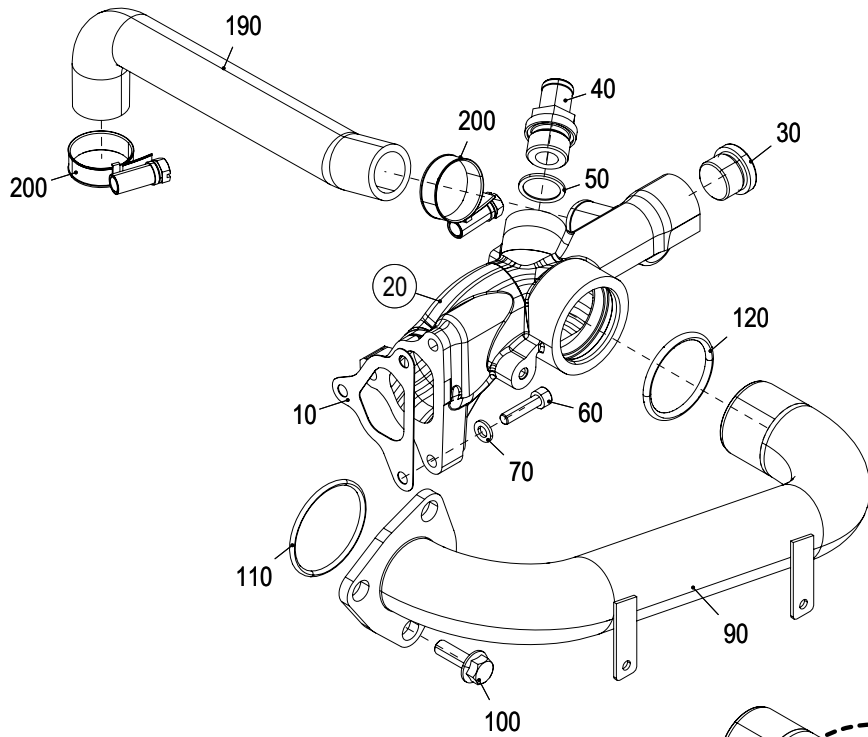
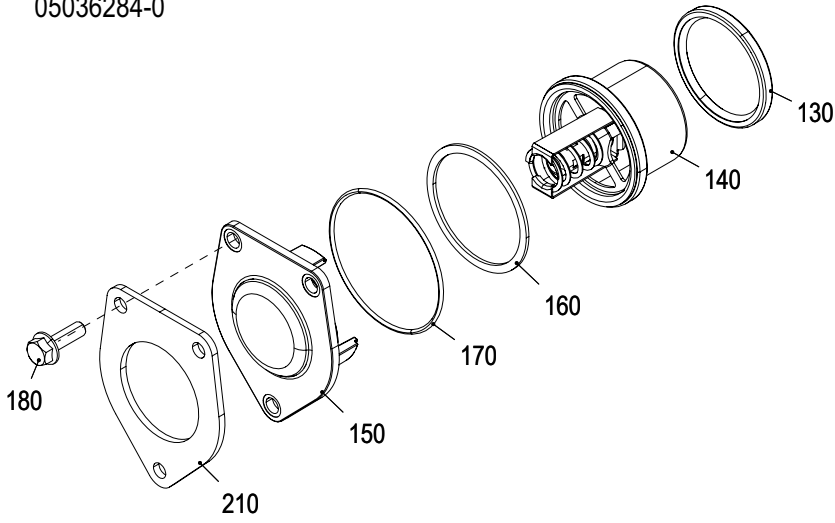


TA 0503

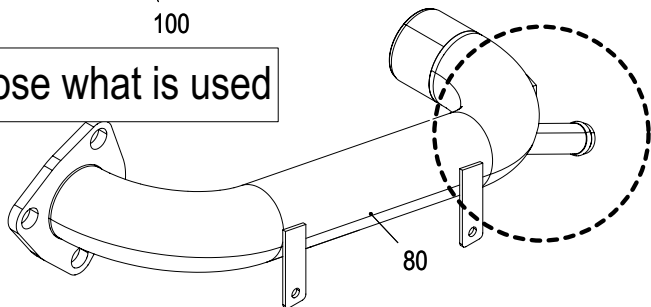
**SE236 S36
MARINE**

WATERPIPE, THERMOSTAT

05036284-0



80 or 90 - please choose what is used



WATERPIPE, THERMOSTAT	SE236 536 MARINE
------------------------------	-----------------------------

05036284-0

Pos.	Part.-No.	Qty	Designation	Step
10	2177572-0	1	GASKET INLET PIPE	.1
20	Z026122-0	1	COOLANT INLET ASSY. (RAL9006)	.1
30	9000590-0	2	SCR.PLUG WITH RUBBER SEAL M22x1.5	..2
40	9000648-0	1	SCREW-IN SOCKET M22x1.5-16	..2
50	9000815-0	1	PROFILED GASKET DIN 3869-22-FPM	..2
60	9001088-0	3	HEX.SOCK. SCR. ISO 4762-M6x25-A2-70	.1
70	3930070-0	3	WASHER ISO 7089-6-A4-200HV	.1
80	2180524-0	1	PIPE, COOLING	.1
90	701260	1	PIPE, COOLING	.1
100	9000271-0	3	BOLT EN1665-M8x25-10.9-FLZNNC-720H-L	.1
110	9000986-0	1	O-RING 49.2x3	.1
120	9001090-0	1	O-RING 42x4	.1
130	2180850-0	1	SEALING RING, THERMOSTAT	.1
140	2180758-0	1	THERMOSTAT INLAY	.1
150	2180839-1	1	COVER THERMOSTAT	.1
160	2180921-0	1	DISTANCE WASHER	.1
170	9001169-0	1	O-RING 78x2.5	.1
180	9000271-0	3	BOLT EN1665-M8x25-10.9-FLZNNC-720H-L	.1
190	2180823-0	1	MOULDED HOSE, OIL COOLER-OUTLET	.1
200	2177464-0	2	CLAMP 20-32/12	.1
210	2181205-0	1	HOLDING PLATE	.1



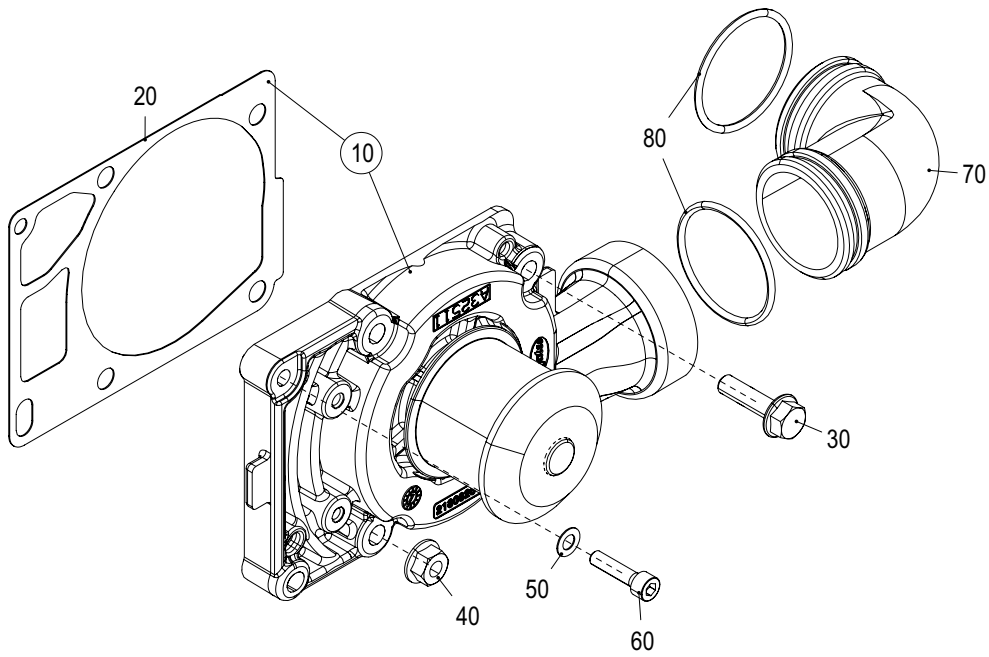


TA 0504

SE236 S36
MARINE

WATERPUMP

05046284-0



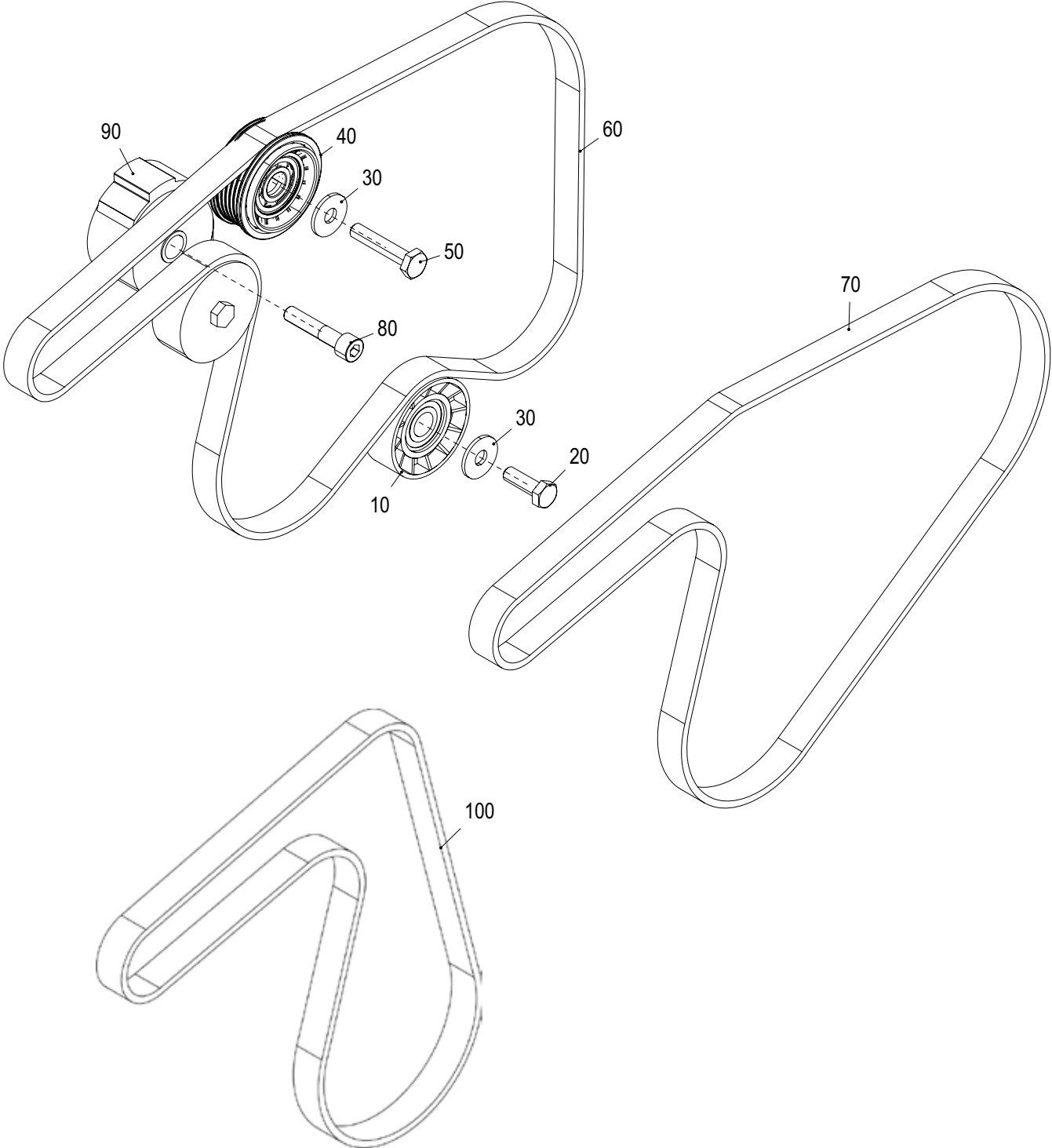


TA 0505

**SE236 S36
MARINE**

DRIVE BELTS, PULLEYS, TENSIONER

05056284-0



DRIVE BELTS, PULLEYS, TENSIONER	SE236 S36 MARINE
--	-----------------------------

05056284-0

Pos.	Part.-No.	Qty	Designation	Step
10	2203559-1	1	IDLER PULLEY	.1
20	3802527-0	1	HEX.HD.SCR. ISO 4017-M10x30-A4	.1
30	3936107-0	2	WASHER ISO 7093-10.5-140HV-A4	.1
40	2180696-0	1	IDLER PULLEY ASSY.	.1
50	900051	1	HEX.HD.BOLT ISO 4017-M10x50-A4-70	.1
60	2180887-0	1	POLY-V BELT L=1488 6PK	.1
70	2180927-0	1	POLY-V BELT L=1390 6PK	.1
80	9000014-1	1	SCR. ISO 4762-M10x50-10.9-FLZNNC-720H-L	.1
90	2205423-0	1	TENSIONER POLY-V BELT	.1
100	2180926-0	1	POLY-V BELT L=1095 6PK	.1



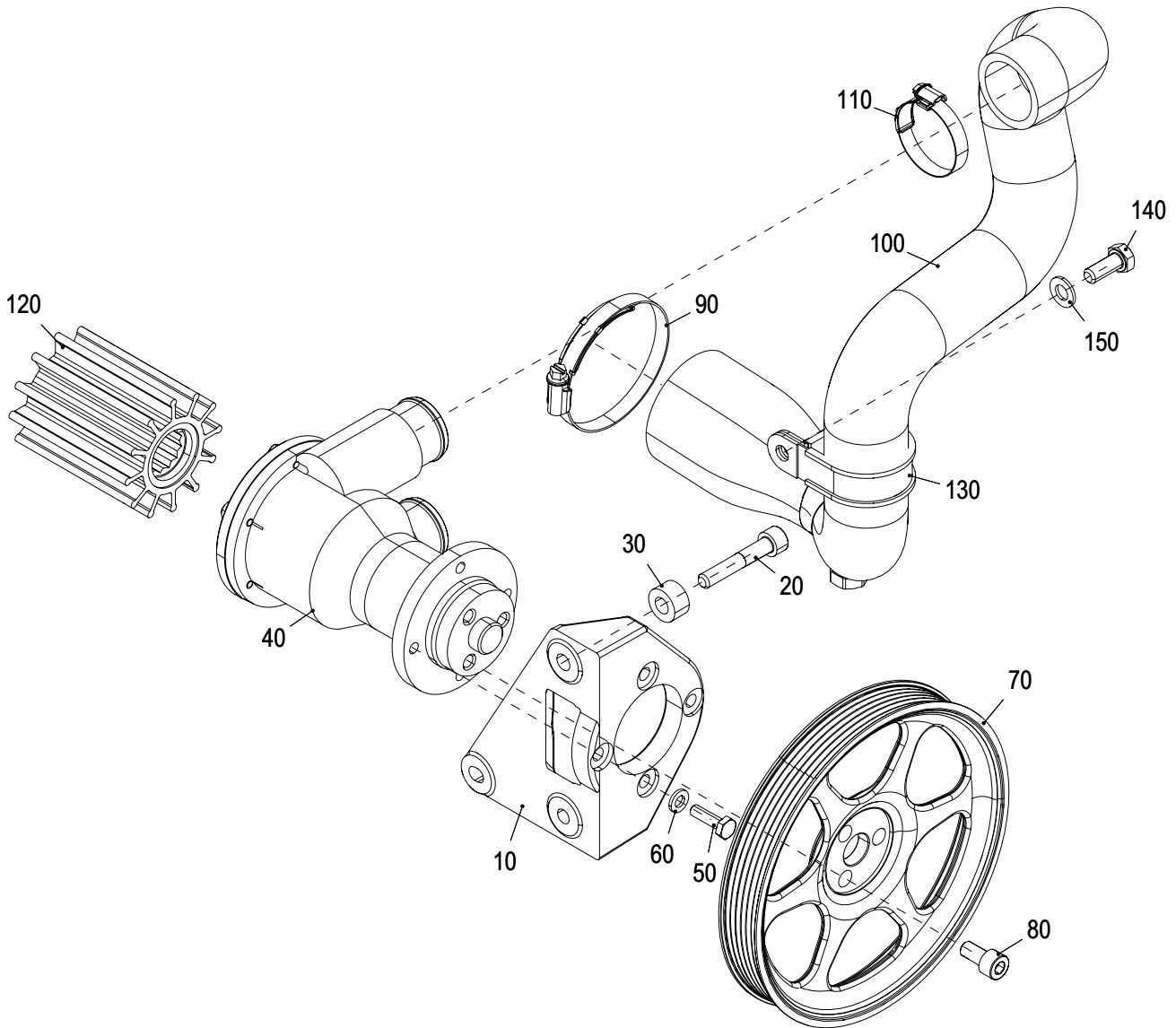


TA 0510

SE236 S36
MARINE

RAW WATER PUMP

05106284-0



RAW WATER PUMP	SE236 536 MARINE
-----------------------	-----------------------------

05106284-0

Pos.	Part.-No.	Qty	Designation	Step
10	2180983-0	1	BRACKET, RAW WATER PUMP (RAL9006)	.1
20	9000697-0	3	HEX.SOCK. SCR. ISO 4762-M8x45-A2-70	.1
30	2200868-0	3	BUSHING, OIL COOLER	.1
40	500939	1	RAW WATER PUMP (RAL9006)	.1
50	3800221-0	4	HEX.HD.SCR. ISO 4017-M6x20-A2-70	.1
60	3930070-0	4	WASHER ISO 7089-6-A4-200HV	.1
70	2179911-0	1	PULLEY, RAW WATER PUMP	.1
80	3860152-0	3	HEX.SOCK. SCR. ISO 4762-M8x16-A2-70	.1
90	2179022-0	1	HOSE CLAMP WITH SPRING 50-70/9	.1
100	2180890-0	1	MOLDED HOSE	.1
110	2179044-0	1	HOSE CLAMP WITH SPRING 25-40/9	.1
120	500871	1	SERVICE KIT, RAW WATER PUMP (EPDM)	.1
130	9000759-0	1	PIPE CLAMP DM40	.1
140	9001424-0	1	HEX.HD.SCR. ISO 4017-M8x20-A4-70	.1
150	3930103-0	1	WASHER ISO 7089-8-A4-200HV	.1



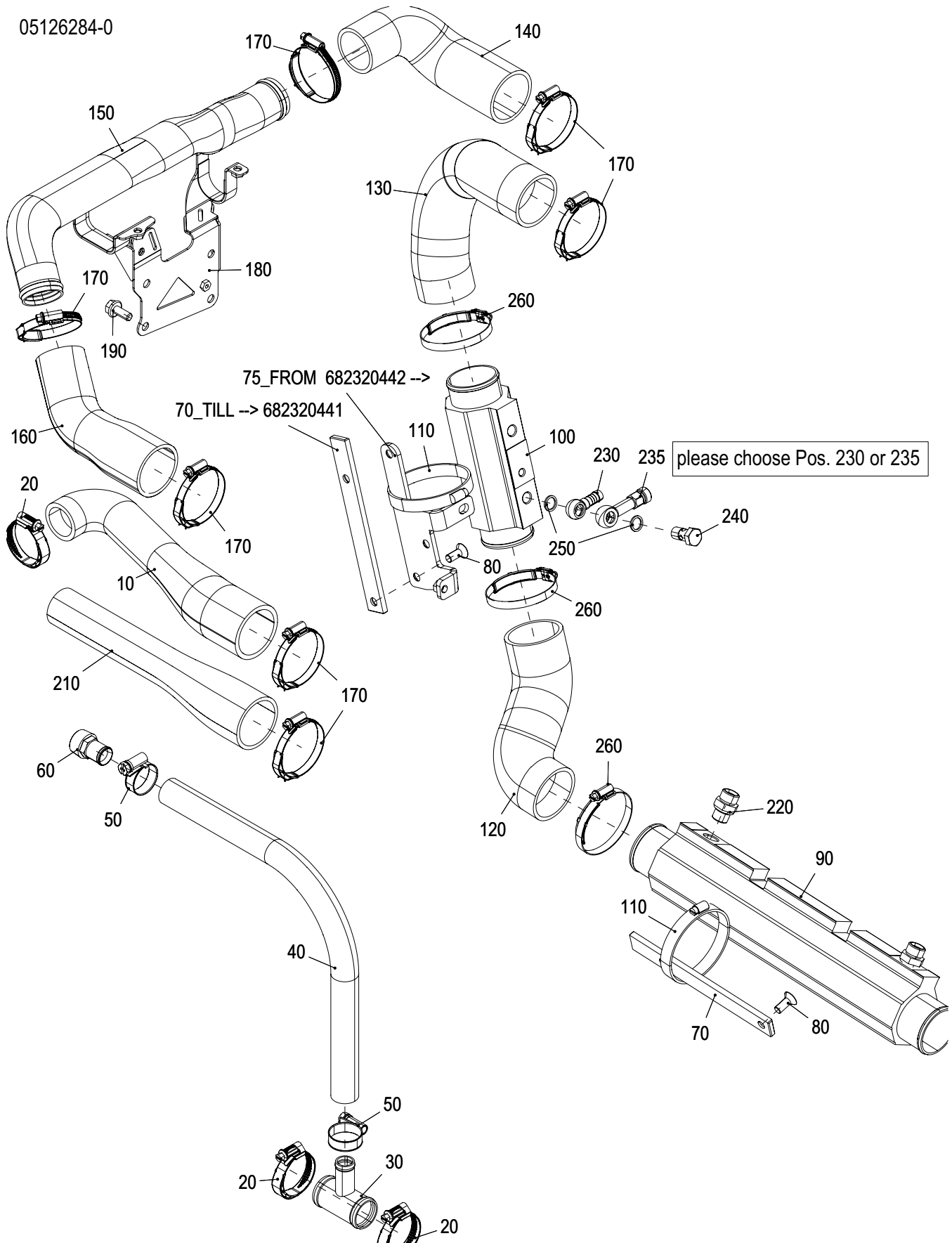


TA 0512

SE236 S36
MARINE

RAW WATER PIPES

05126284-0



RAW WATER PIPES

SE236 S36
MARINE

05126284-0

Pos.	Part.-No.	Qty	Designation	Step
10	Z026170-0	1	MOULDED HOSE, HEAT EXCHA. - ELBOW EXH.	.1
20	2181430-0	3	HOSE CLAMP WITH SPRING 30-45/9	.1
30	2040095-2	1	PIPE ENGINE-COOLANT 32/19	.1
40	2179330-1	1	HOSE RAW WATER 20x2000	.1
50	2177464-0	2	CLAMP 20-32/12	.1
60	9000468-1	1	SCREW IN SOCKET	.1
70	2180814-0	1	MOUNTING PLATE	.1
75	2181195-0	1	BRACKET, FUEL COOLER	.1
80	9000456-0	5	COU.SCR.DIN7991-M8x20-10.9-FLZNNC-720H-L	.1
90	Z026124-0	1	GEAR OIL COOLER	.1
100	Z026125-0	1	FUEL COOLER (RAL9006)	.1
110	2179929-0	3	HOSE CLAMP 60-80/12	.1
120	2180645-0	1	MOLDED HOSE	.1
130	2180646-0	1	MOLDED HOSE	.1
140	2180995-0	1	MOULDED HOSE	.1
150	2180841-0	1	TUBE AIR COOLER-HEAT EXCHANGER	.1
160	2180994-0	1	MOULDED HOSE	.1
170	2179050-0	7	HOSE CLAMP WITH SPRING 40-60/9	.1
180	2180923-0	1	BRACKET, RAW WATER PIPE	.1
190	9000305-0	3	BOLT EN1665-M8x20-10.9-FLZNNC-720H-L	.1
210	Z026169-0	1	MOULDED HOSE HEAT EXCHA-ELBOW	.1
220	9000832-0	2	PIPE UNION ADAP. DIN 3901-L12A-M-ST	.1
230	9001148-0	1	BANJO DM12	.1
235	708328	1	BANJO CONNECTOR	.1
240	11868	1	HO.SCR.M12x1.5-DIN7643-8-3-FLZNNC-720H-L	.1
250	9001170-0	2	BOUNDED SEAL 12.7x19x1.5	.1
260	2179022-0	3	HOSE CLAMP WITH SPRING 50-70/9	.1



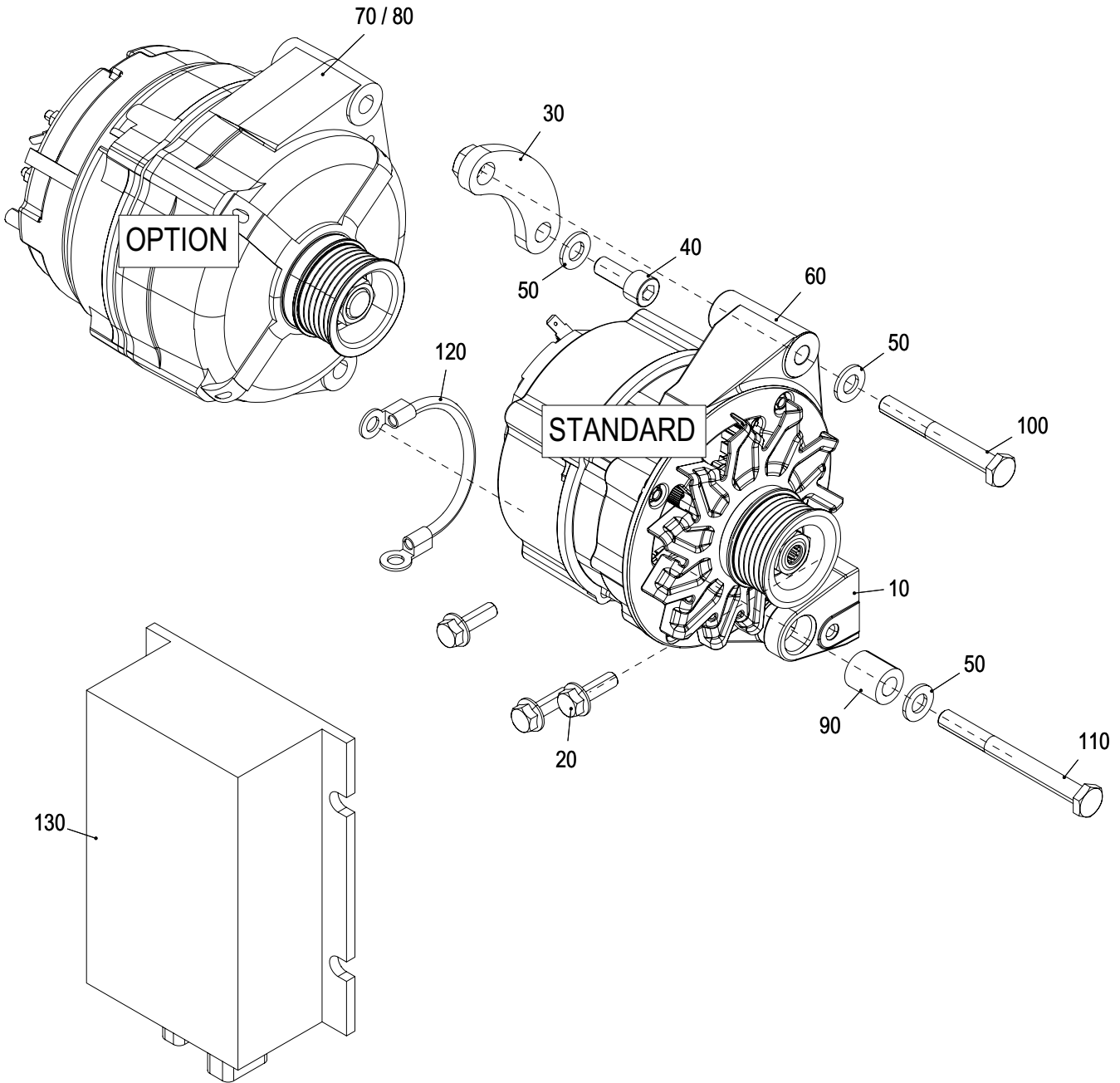


TA 0601

SE236 S36
MARINE

ALTERNATOR

06016284-0



ALTERNATOR	SE236 536 MARINE
-------------------	-----------------------------------

06016284-0

Pos.	Part.-No.	Qty	Designation	Step
10	Z026126-0	1	BRACKET, ALTERNATOR (RAL9006)	.1
20	9000271-0	3	BOLT EN1665-M8x25-10.9-FLZNNC-720H-L	.1
30	2180987-0	1	HOLDING PLATE, ALTERNATOR	.1
40	9000511-0	1	HEX.SOCK. SCR. ISO 4762-M10x25-12.9	.1
50	3930271-0	3	WASHER ISO 7089-10-140HV-FLZNNC-480H	.1
60	Z026127-0	1	ALTERNATOR 14V-120A FAN EXTER. (RAL9006)	.1
70	Z026141-0	1	ALTERN. ASSY. 14V-150A (OPTION)(RAL9006)	.1
80	Z026143-0	1	ALTERN. ASSY. 28V-100A (OPTION)(RAL9006)	.1
90	2180794-0	1	CLAMPING SLEEVE, ALTERNATOR	.1
100	3800571-0	1	BOLT ISO 4014-M10x80-8.8-FLZNNC-720H-L	.1
110	3800568-0	1	H.BOLT ISO4014-M10x100-8.8-FLZNNC-720H-L	.1
120	2178968-0	1	GROUND WIRE	.1
130	2179789-0	1	DC/DC CONVERTER 24 -12V / 30A	.1



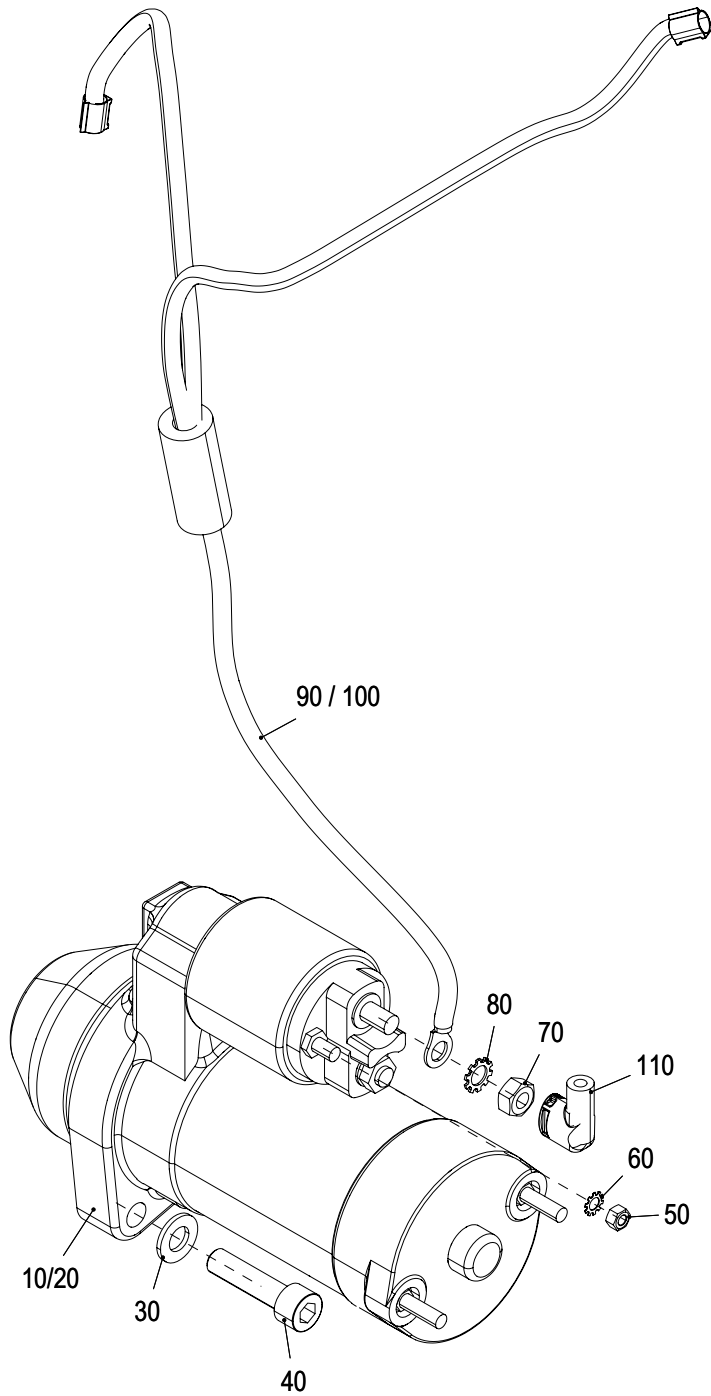


TA 0603

SE236 S36
MARINE

STARTER

06036284-0



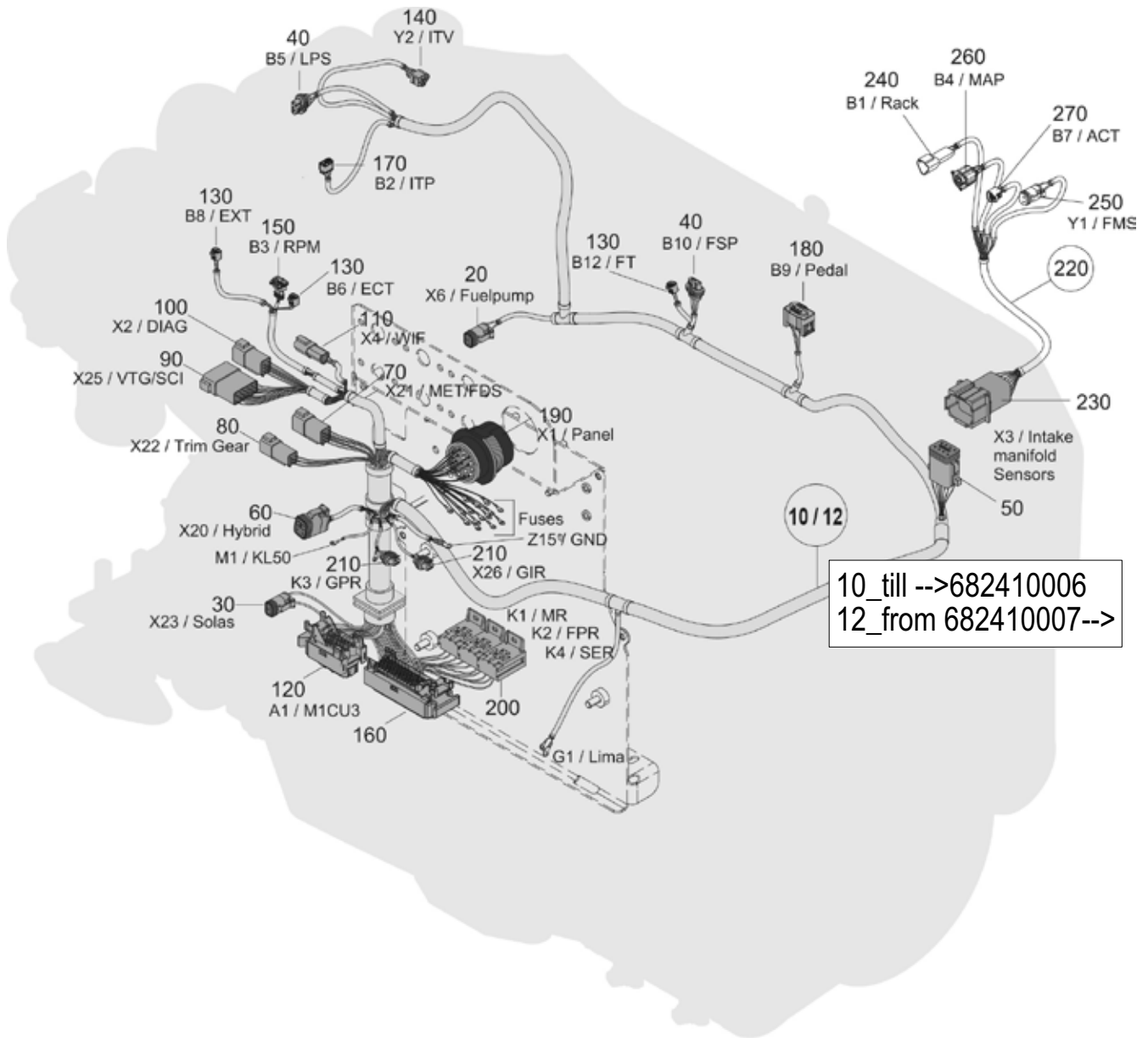


TA 0605

**SE236 S36
MARINE**

ENGINE HARNESS

06056284-0



ENGINE HARNESS	SE236 S36 MARINE
-----------------------	-----------------------------

06056284-0

Pos.	Part.-No.	Qty	Designation	Step
10	Z026128-0	1	ENG.HARN.INCL.BASE PLATE & RUBBER MOUNTS	.1
12	500891	1	ENG.HARN.INCL.BASE PLATE & RUBBER MOUNTS	.1
20	Z002417-1	1	PLUG COMPLETE 2-POLE	.2
30	Z002417-0	1	PLUG COMPLETE 2-POLE	.2
40	Z002203-0	2	PLUG COMPLETE 3-POLE	.2
50	Z002204-0	1	PLUG COMPLETE 8-POLE	.2
60	Z002649-0	1	PLUG COMPLETE 6-POLE	.2
70	Z002415-0	1	PLUG COMPLETE 6-POLE	.2
80	Z002205-0	1	PLUG COMPLETE 4-POLE	.2
90	Z002206-0	1	PLUG COMPLETE 12-POLE	.2
100	Z002211-0	1	PLUG COMPLETE 6-POLE	.2
110	Z002416-0	1	PLUG COMPLETE 3-POLE	.2
120	Z002207-0	1	PLUG COMPLETE 28-POLE	.2
130	Z002208-0	3	PLUG COMPLETE 2-POLE	.2
140	Z002645-0	1	PLUG COMPLETE 2-POLE	.2
150	Z002412-0	1	PLUG COMPLETE 3-POLE	.2
160	Z002209-0	1	PLUG COMPLETE 52-POLE	.2
170	Z002643-0	1	PLUG COMPLETE 4-POLE	.2
180	Z002414-2	1	PLUG COMPLETE 6-POLE	.2
190	Z002410-A	1	PLUG COMPLETE 23-POLE	.2
200	9000421-0	3	RELAY SOCKET	.2
210	Z002210-0	2	PLUG COMPLETE 2-POLE	.2
220	Z026129-0	1	HARNESS ASSY., INTAKE MANIFOLD	.2
230	Z002092-0	1	PLUG COMPLETE 8-POLE	.2
240	Z002416-0	1	PLUG COMPLETE 3-POLE	.2
250	Z002417-0	1	PLUG COMPLETE 2-POLE	.2
260	Z002139-0	1	PLUG COMPLETE 3-POLE	.2
270	Z002208-0	1	PLUG COMPLETE 2-POLE	.2



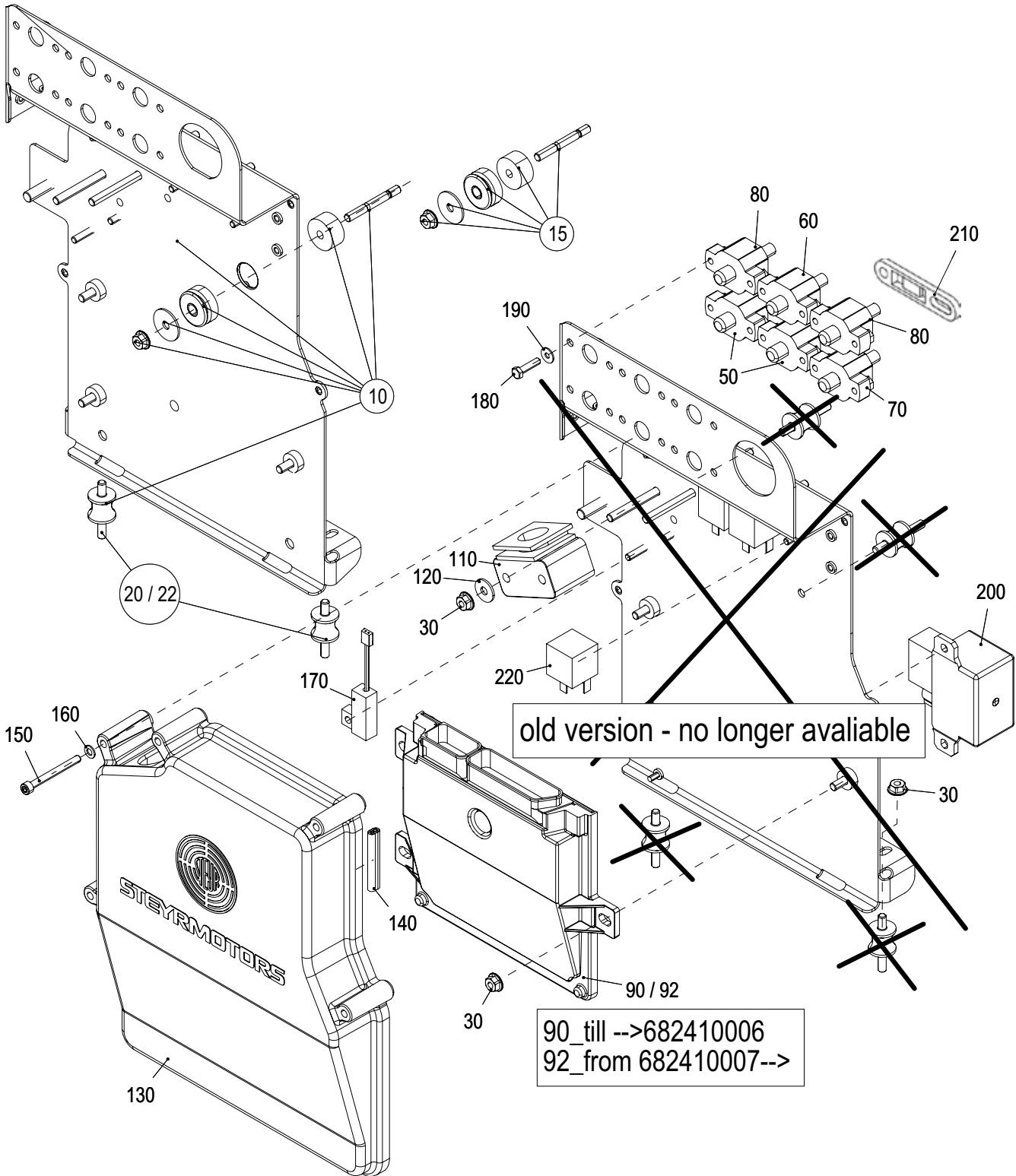


TA 0606

SE236 S36
MARINE

SECURITYSYSTEM, FUSES, ECU, E- BOX

06066284-5



SECURITYSYSTEM, FUSES, ECU, E- BOX	SE236 S36 MARINE
---	-----------------------------

06066284-5

Pos.	Part.-No.	Qty	Designation	Step
10	501105	1	BASE PLATE INCL. RUBBER MOUNTS	.1
15	501103	1	SPARE PART KIT, RUBBER MOUNT UPPER	.1
20	501131	1	SPARE PART KIT, RUBBER MOUNT LOWER	.1
22	501130	1	SPARE PART KIT, RUBBER MOU. LOWER 2-POLE	.1
30	3880049-0	17	HEX.FLANGE NUT EN 1661-M6-A4-70	.1
40	2173329-00,050		EDGE PROTECTOR	.1
50	O913774-0	2	AUTOMATIC CIRCUIT BREAKER 50A	.1
60	2181039-0	1	AUTOMATIC CIRCUIT BREAKER 25A	.1
70	O986525-0	1	CIRCUIT BREAKER 12.5A	.1
80	2181040-0	2	AUTOMATIC CIRCUIT BREAKER 20A	.1
90	2181060-0	1	ENGINE CONTROL UNIT SE236S36	.1
92	802721	1	ENGINE CONTROL UNIT SE236S36	.1
110	2203753-0	2	CLAMP, FASTEN ENGINE-HARNESS	.1
120	9000012-0	10	WASHER ISO 7093-6.4-140HV-A2	.1
130	2181005-0	1	ASSY. COVERING, ENGINE ELECTRIC	.1
140	2171410-1	1	SEAL, COVERING ENGINE ELECTRIC	.2
150	9000003-0	5	HEX.SOCK. SCR. ISO 4762-M5x55-A2-70	.1
160	3930069-0	8	WASHER ISO 7089-5-A4-200HV	.1
170	2178971-G	1	INVERSION-SWITCH ASSY	.1
180	9000424-0	12	HEX.HD.SCR. ISO 4017-8/32UNCx20-A2-70	.1
190	3930072-0	12	WASHER LA. SERIES ISO 7093-4.3-A4-200HV	.1
200	9000947-1	1	RELAY 12V-150A-IP67	.1
210	2178870-0	2	FIXTURE, CABLE TIE	.1
220	9000183-0	3	RELAY 12V 40A	.1



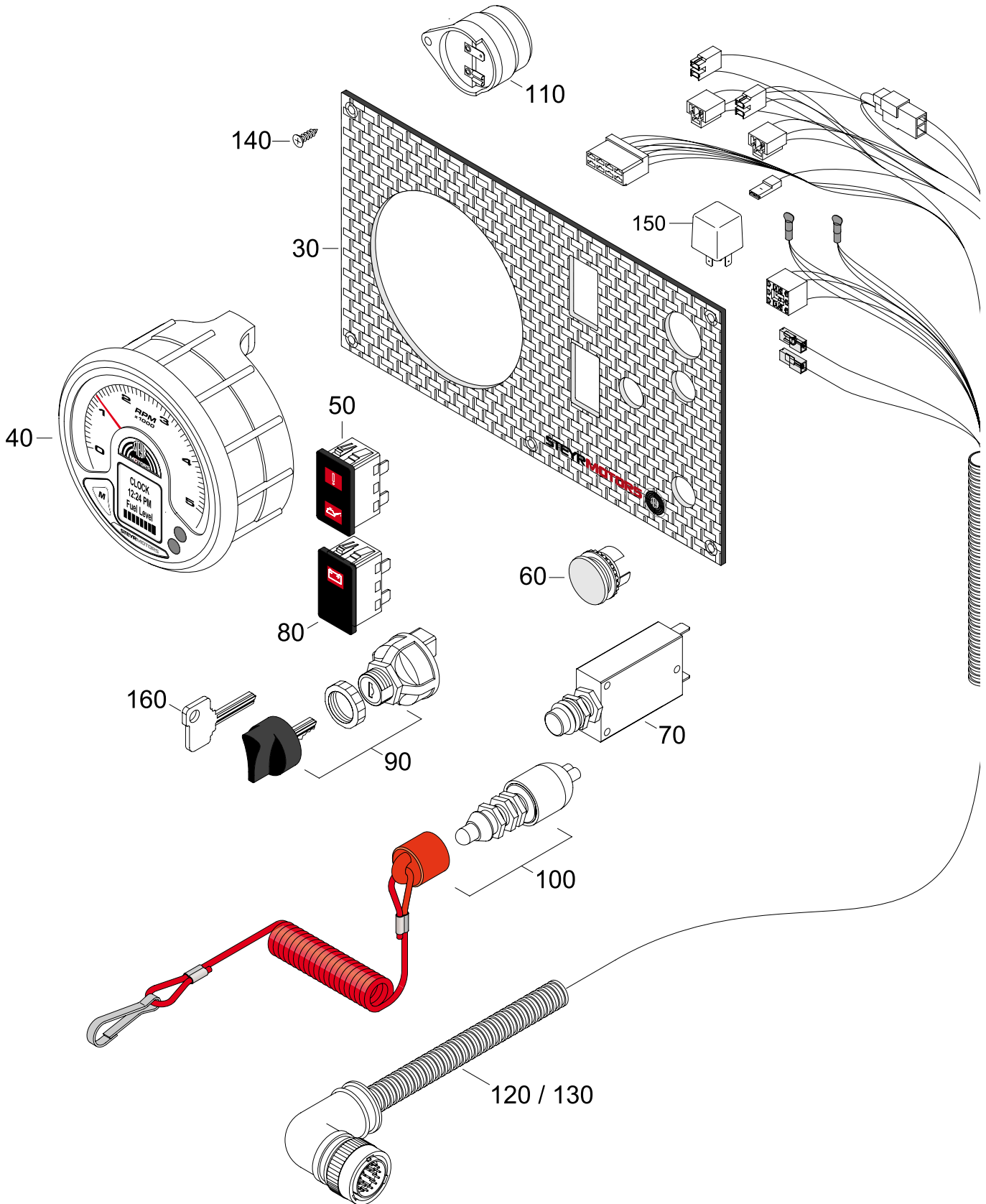


TA 0607

SE236 S36 MARINE

INSTRUMENT PANEL (STAND. 2010-2013/08)

06072184-1



INSTRUMENT PANEL (STAND. 2010-2013/08)

SE236 S36
MARINE

06072184-1

Pos.	Part.-No.	Qty	Designation	Step
30	2179981-0	1	FRONT PLATE, INSTRUMENT PANEL - STANDARD	.1
40	Z001149-0	1	CHANGE PANEL - SPARE PART KIT STANDARD	.1
50	Z002196-0	1	WARNING LIGHT, OIL PRESSURE & CHECK ENG.	.2
60	2179320-0	1	BLIND PLUG	.2
70	Z002180-0	1	THERMO PROTECTION SWITCH ASSY.	.2
80	Z002197-0	1	WARNING LIGHT, BATTERY CHARGE	.2
90	2179975-0	1	GLOW-START SWITCH	.2
100	2179978-0	1	EMERGENCY CUTOFF SWITCH	.2
110	2178760-1	1	HORN AUDIBLE WARNING	.2
120	2180073-0	1	CABLE ASSY. INSTRUMENT 7m	.2
130	2180075-0	1	CABLE ASSY. INSTRUMENT 1.5m	.2
140	9000817-0	6	CR.REC.COUNT.SUNK HD.TPG.SCR. 3.5x16	.2
150	9000183-0	1	RELAY 12V 40A	.2
160	2181496-0	1	IGNITION KEY, BLANK PART	.2



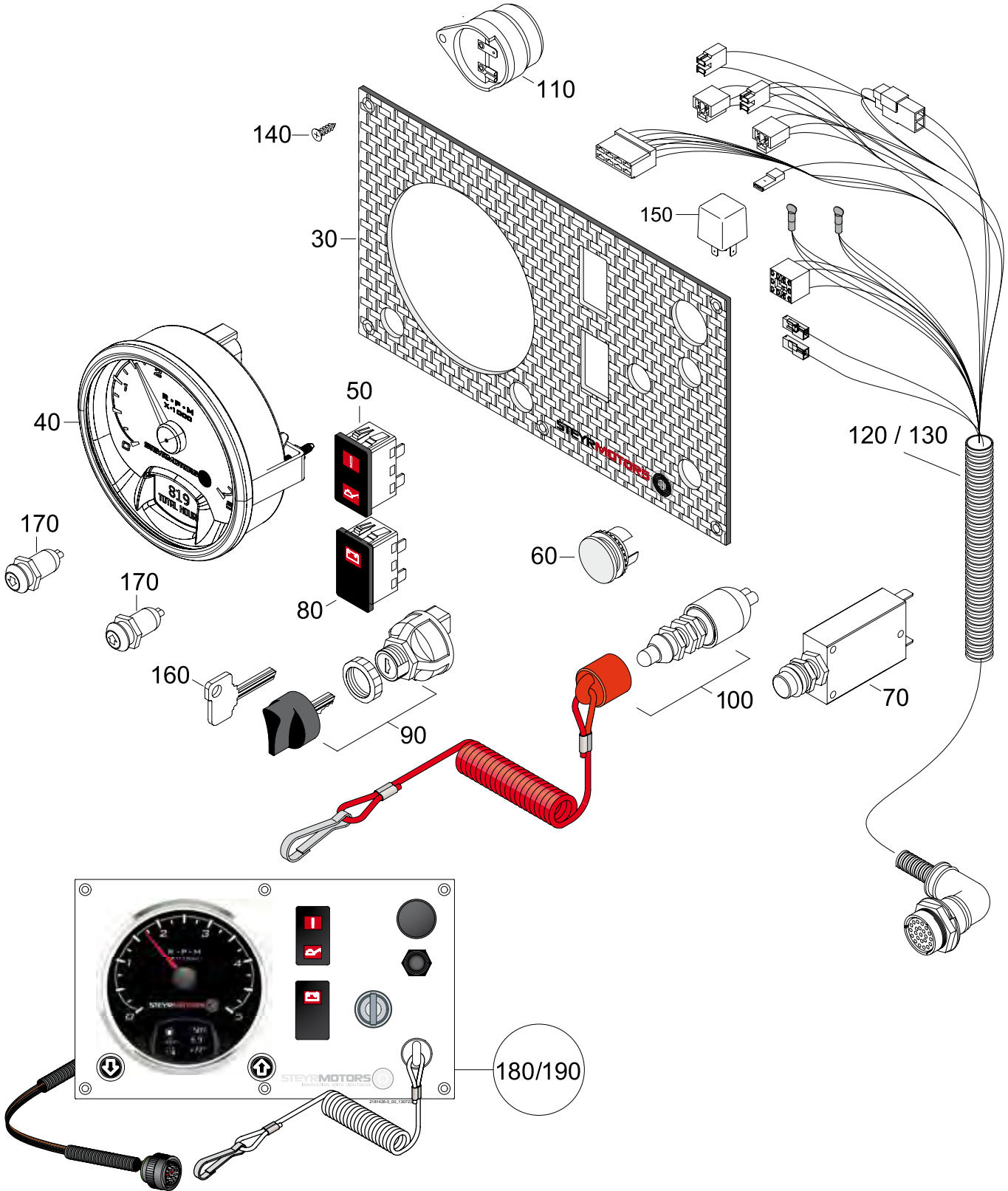


TA 0607

SE236 S36
MARINE

INSTRUMENT PANEL (STANDARD FROM 2013/08)

06072184-2



INSTRUMENT PANEL (STANDARD FROM 2013/08)

**SE236 S36
MARINE**

06072184-2

Pos.	Part.-No.	Qty	Designation	Step
30	2181436-0	1	FRONT PLATE, INSTRUMENT PANEL - STANDARD	.1
40	2181437-0	1	REVOLUTION COUNTER	.1
50	Z002196-0	1	WARNING LIGHT, OIL PRESSURE & CHECK ENG.	.1
60	2179320-0	1	BLIND PLUG	.1
70	Z002180-0	1	THERMO PROTECTION SWITCH ASSY.	.1
80	Z002197-0	1	WARNING LIGHT, BATTERY CHARGE	.1
90	2179975-0	1	GLOW-START SWITCH	.1
100	2179978-0	1	EMERGENCY CUTOFF SWITCH	.1
110	2178760-1	1	HORN AUDIBLE WARNING	.1
120	2181438-0	1	CABLE ASSY. INSTRUMENT 7m	.1
130	2181444-0	1	CABLE ASSY. INSTRUMENT 1.5m	.1
140	9000817-0	6	CR.REC.COUNT.SUNK HD.TPG.SCR. 3.5x16	.1
150	9000183-0	1	RELAY 12V 40A	.1
160	2181496-0	1	IGNITION KEY, BLANK PART	.1
170	2181439-0	2	TASTER RPM GAUGE UP/DOWN	.1
180	2181435-0	1	INSTR. PANEL ASSY. (LED) 12V 7m	.1
190	2181440-0	1	INSTR. PANEL ASSY. (LED) 12V 1.5m	.1



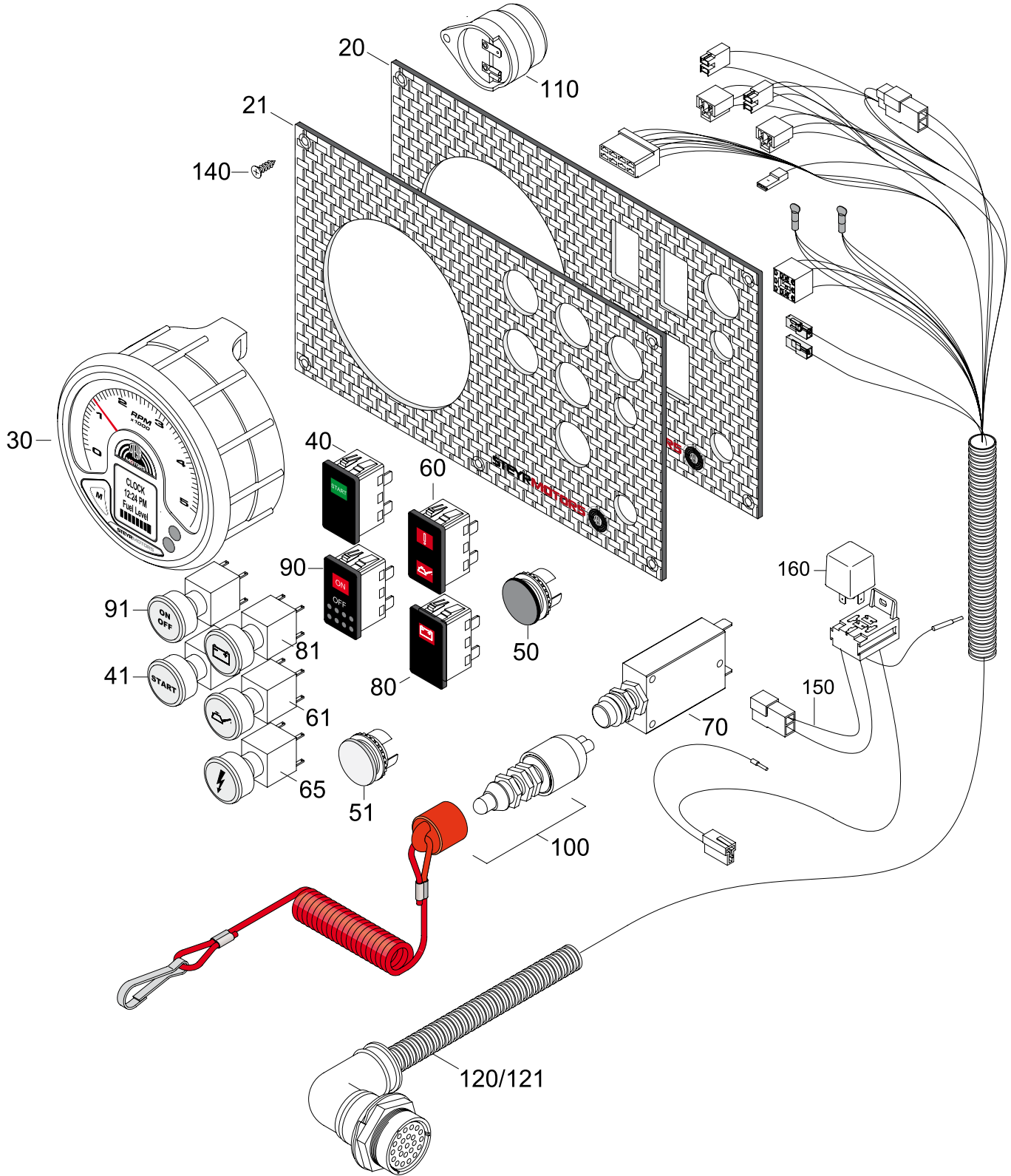


TA 0609

SE236 S36 MARINE

INSTRUMENT PANEL SOLAS (2010-2013/08)

06092184-1



INSTRUMENT PANEL SOLAS (2010-2013/08)	SE236 S36 MARINE
--	-----------------------------

06092184-1

Pos.	Part.-No.	Qty	Designation	Step
20	2179982-0	1	FRONT PLATE, INSTRUMENT PANEL - SOLAS	.1
21	2180795-0	1	FRONT PLATE, INSTRUMENT PANEL - SOLAS	.1
30	Z001150-0	1	CHANGE PANEL - SPARE PART KIT SOLAS	.2
40	Z002198-0	1	START SWITCH, GREEN	.2
41	2180779-0	1	START SWITCH, GREEN	.2
50	2179320-0	1	BLIND PLUG	.2
51	2180797-0	1	BLIND PLUG	.2
60	Z002196-0	1	WARNING LIGHT, OIL PRESSURE & CHECK ENG.	.2
61	2180776-0	1	WARNING LIGHT, OIL PRESSURE	.2
65	2180778-0	1	WARNING LIGHT, CHECK ENGINE	.2
70	Z002180-0	1	THERMO PROTECTION SWITCH ASSY.	.2
80	Z002197-0	1	WARNING LIGHT, BATTERY CHARGE	.2
81	2180777-0	1	WARNING LIGHT, BATTERY CHARGE	.2
90	Z002199-0	1	IGNITION SWITCH	.2
91	2180780-0	1	IGNITION SWITCH	.2
100	2179978-0	1	EMERGENCY CUTOFF SWITCH	.2
110	2178760-1	1	HORN AUDIBLE WARNING	.2
120	2180074-0	1	CABLE ASSY. INSTRUMENT (2009 - 2011/06)	.2
121	2180796-0	1	CABLE ASSY. INSTRUM. (2011/06 - 2013/08)	.2
140	9000817-0	6	CR.REC.COUNT.SUNK HD.TPG.SCR. 3.5x16	.2
150	2180512-0	1	INTERMEDIATE CABLE CHARGE INDICATOR 24V	.1
160	9000183-0	1	RELAY 12V 40A	.1



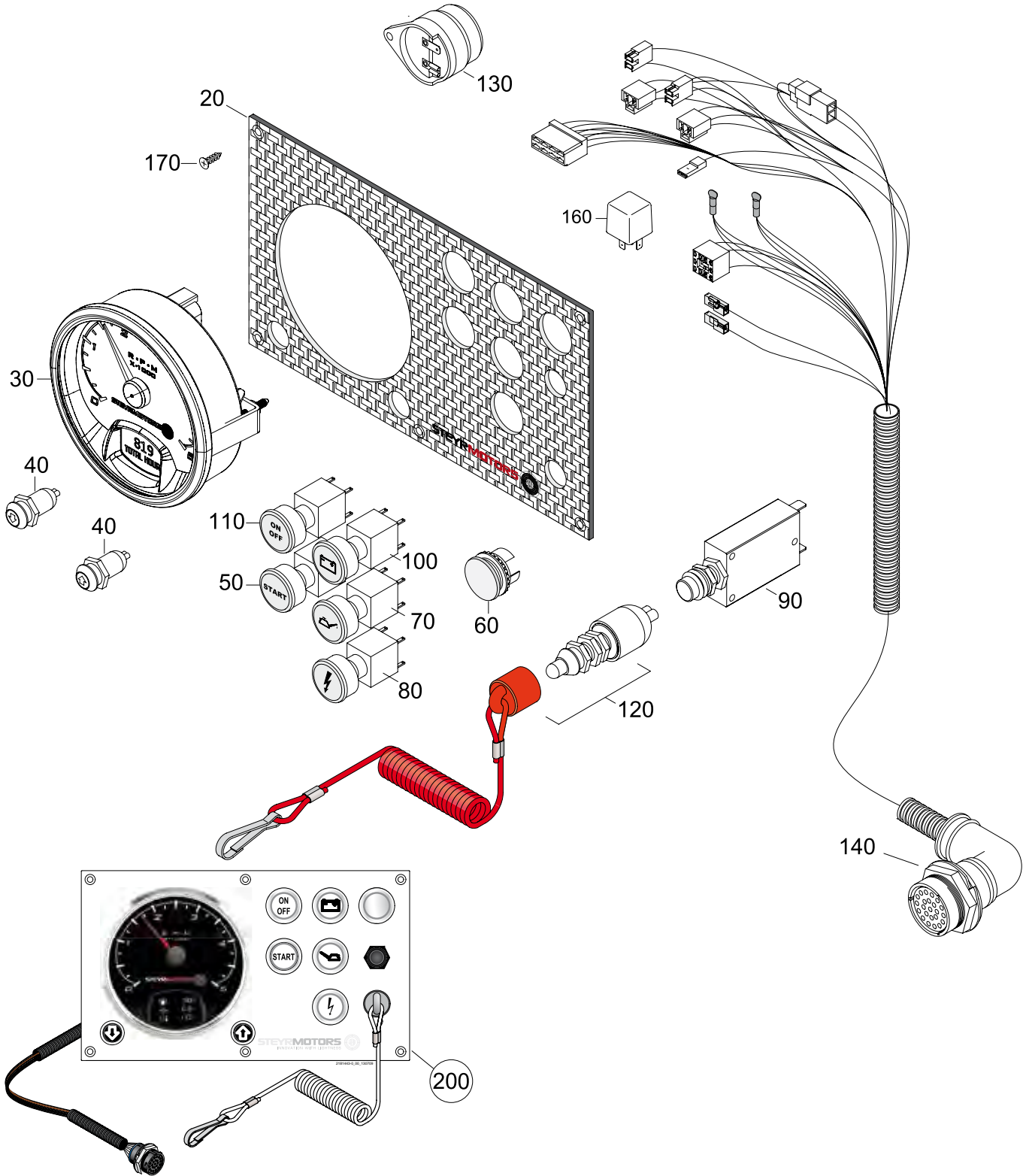


TA 0609

SE236 S36 MARINE

INSTRUMENT PANEL SOLAS (FROM 2013/08)

06092184-5





TA 0610

**SE236 S36
MARINE**

SCC 2 -DISPLAY (STEYR CONTROL CENTER)

06106184-4



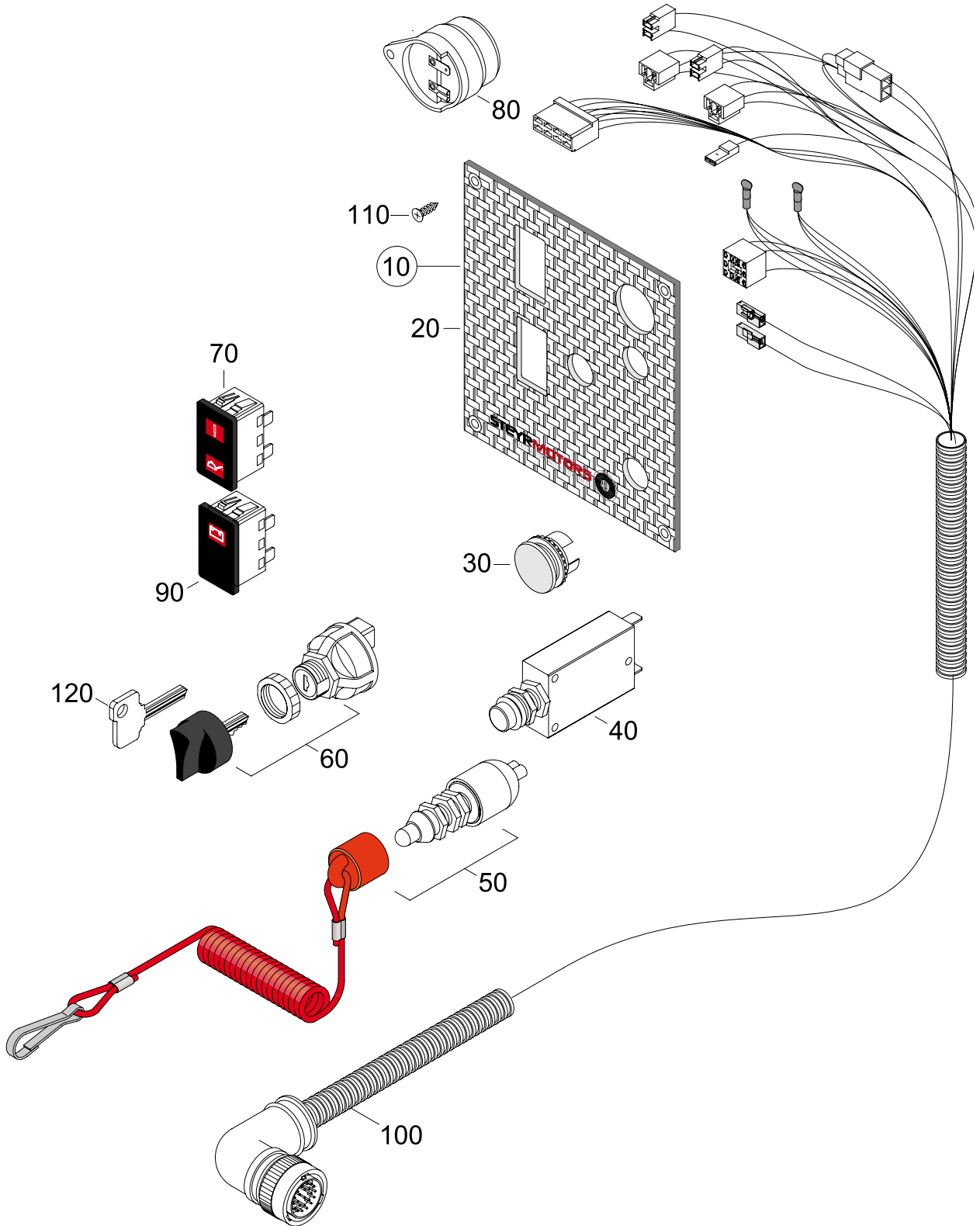


TA 0611

SE236 S36
MARINE

SCC KEY IGNITION PANEL

06112184-1



SCC KEY IGNITION PANEL	SE236 536 MARINE
-------------------------------	-----------------------------

06112184-1

Pos.	Part.-No.	Qty	Designation	Step
10	2179966-0	1	SWITCH PANEL ASSY. (LED) (SCC)	.1
20	2179983-0	1	FRONT PLATE, SWITCH PANEL	.2
30	2179320-0	1	BLIND PLUG	.2
40	Z002180-0	1	THERMO PROTECTION SWITCH ASSY.	.2
50	2179978-0	1	EMERGENCY CUTOFF SWITCH	.2
60	2179975-0	1	GLOW-START SWITCH	.2
70	Z002196-0	1	WARNING LIGHT, OIL PRESSURE & CHECK ENG.	.2
80	2178760-1	1	HORN AUDIBLE WARNING	.2
90	Z002197-0	1	WARNING LIGHT, BATTERY CHARGE	.2
100	2180076-0	1	CABLE ASSY. SWITCH PANEL	.2
110	9000817-0	4	CR.REC.COUNT.SUNK HD.TPG.SCR. 3.5x16	.2
120	2181496-0	1	IGNITION KEY, BLANK PART	.2



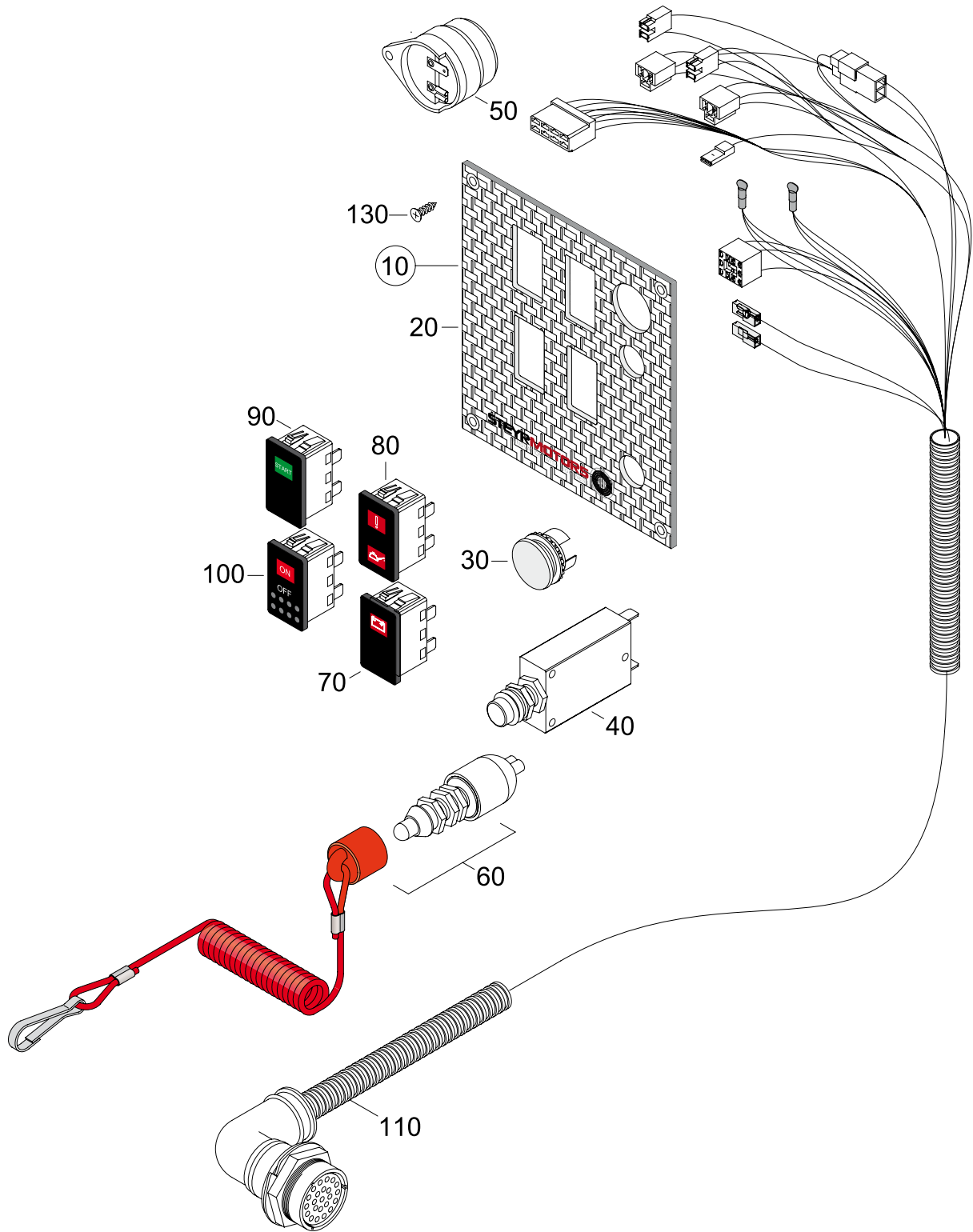


TA 0612

SE236 S36
MARINE

SCC PUSH BUTTON IGNITION PANEL

06122184-1



SCC PUSH BUTTON IGNITION PANEL

SE236 536
MARINE

06122184-1

Pos.	Part.-No.	Qty	Designation	Step
10	2179967-0	1	PUSH BUTTON PANEL (LED) SOLAS (SCC)	.1
20	2179984-0	1	FRONT PLATE, PUSH BUTTON PANEL	.2
30	2179320-0	1	BLIND PLUG	.2
40	Z002180-0	1	THERMO PROTECTION SWITCH ASSY.	.2
50	2178760-1	1	HORN AUDIBLE WARNING	.2
60	2179978-0	1	EMERGENCY CUTOFF SWITCH	.2
70	Z002197-0	1	WARNING LIGHT, BATTERY CHARGE	.2
80	Z002196-0	1	WARNING LIGHT, OIL PRESSURE & CHECK ENG.	.2
90	Z002198-0	1	START SWITCH, GREEN	.2
100	Z002199-0	1	IGNITION SWITCH	.2
110	2180077-0	1	CABLE ASSY.PUSH-BUTTON PANEL	.2
130	9000817-0	4	CR.REC.COUNT.SUNK HD.TPG.SCR. 3.5x16	.2





TA 0613

SE236 S36
MARINE

EXTENSION CABLE INSTRUMENTS

06136184-0

10 / 20 / 30



40



50



60 / 70 / 80



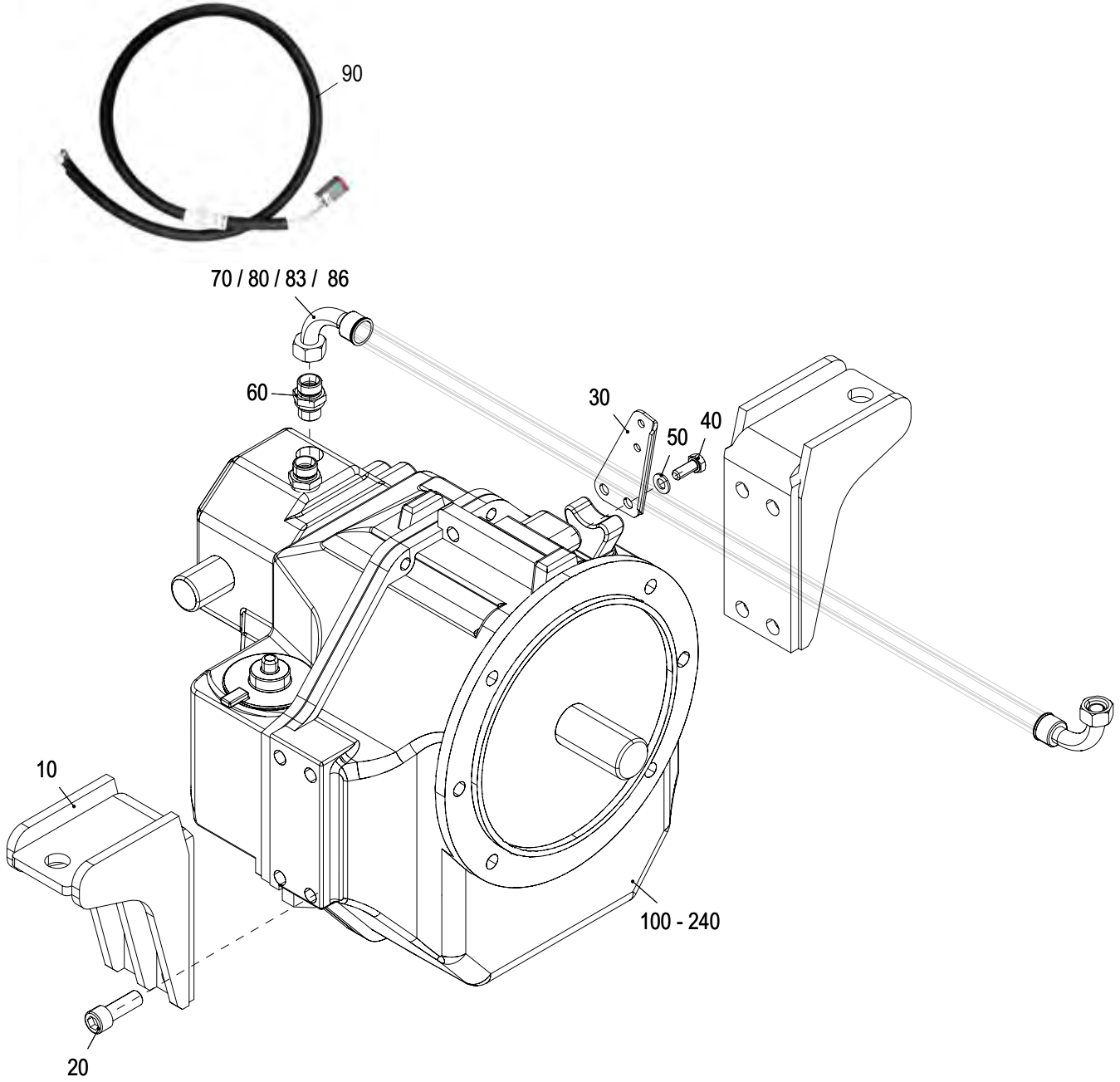


TA 0700

**SE236 S36
MARINE**

TRANSMISSION, BRACKETS, PIPES - ZF68

07006284-0



TRANSMISSION, BRACKETS, PIPES - ZF68

**SE236 S36
MARINE**

07006284-0

Pos.	Part.-No.	Qty	Designation	Step
10	2178710-V	2	BRACKET GEAR-BOX DOWN ANGLE	.1
20	9000081-0	8	HEX.SCR.ISO4762-M12x35-8.8-FLZNNC-720H-L	.1
30	2178711-9	1	BRACKET SHIFT CABLE (RAL9006)	.1
40	3800224-0	2	HEX.HD.SCR. ISO 4017-M8x20-A4-70	.1
50	3930103-0	2	WASHER ISO 7089-8-A4-200HV	.1
60	Z011655-0	2	THREADED SOCKET 3/8NPT-M18x1.5	.1
70	2181242-0	1	OIL HOSE L=1000mm (55°)	.1
80	2178732-0	1	OIL HOSE L=825mm (55°)	.1
83	2181305-0	1	OIL HOSE L=825mm (180°)	.1
86	2178731-0	1	OIL HOSE L=690mm (55°)	.1
90	2180915-0	1	HARNESS GEAR-SWITCH	.1
100	802560	1	GEARBOX ASSY. ZF68A I=1.56 (RAL9006)	.1
110	802561	1	GEARBOX ASSY. ZF68A I=2.04 (RAL9006)	.1
120	802562	1	GEARBOX ASSY. ZF68A I=2.52 (RAL9006)	.1
130	802559	1	GEARBOX ASSY. ZF68A I=1.22 (RAL9006)	.1
140	802563	1	GEARBOX ASSY. ZF68A I=2.70 (RAL9006)	.1
150	802461	1	GEARBOX ASSY. ZF68 I=1.51 (RAL9006)	.1
160	802463	1	GEARBOX ASSY. ZF68 I=2.48 (RAL9006)	.1
170	802465	1	GEARBOX ASSY. ZF68 I=2.78 (RAL9006)	.1
180	802466	1	GEARBOX ASSY. ZF68 I=1.93 (RAL9006)	.1
190	802467	1	GEARBOX ASSY. ZF68 I=1.25 (RAL9006)	.1
195	802470	1	GEARBOX ASSY. ZF68 I=1.75 (RAL9006)	.1
200	802567	1	GEARBOX ASSY. ZF68IV I=2.00 (RAL9006)	.1
210	802568	1	GEARBOX ASSY. ZF68IV I=2.48 (RAL9006)	.1
220	802565	1	GEARBOX ASSY. ZF68IV I=1.29 (RAL9006)	.1
230	802566	1	GEARBOX ASSY. ZF68IV I=1.56 (RAL9006)	.1
240	2179500-9	1	GEARBOX ASSY. ZF63C I=1 (RAL9006)	.1



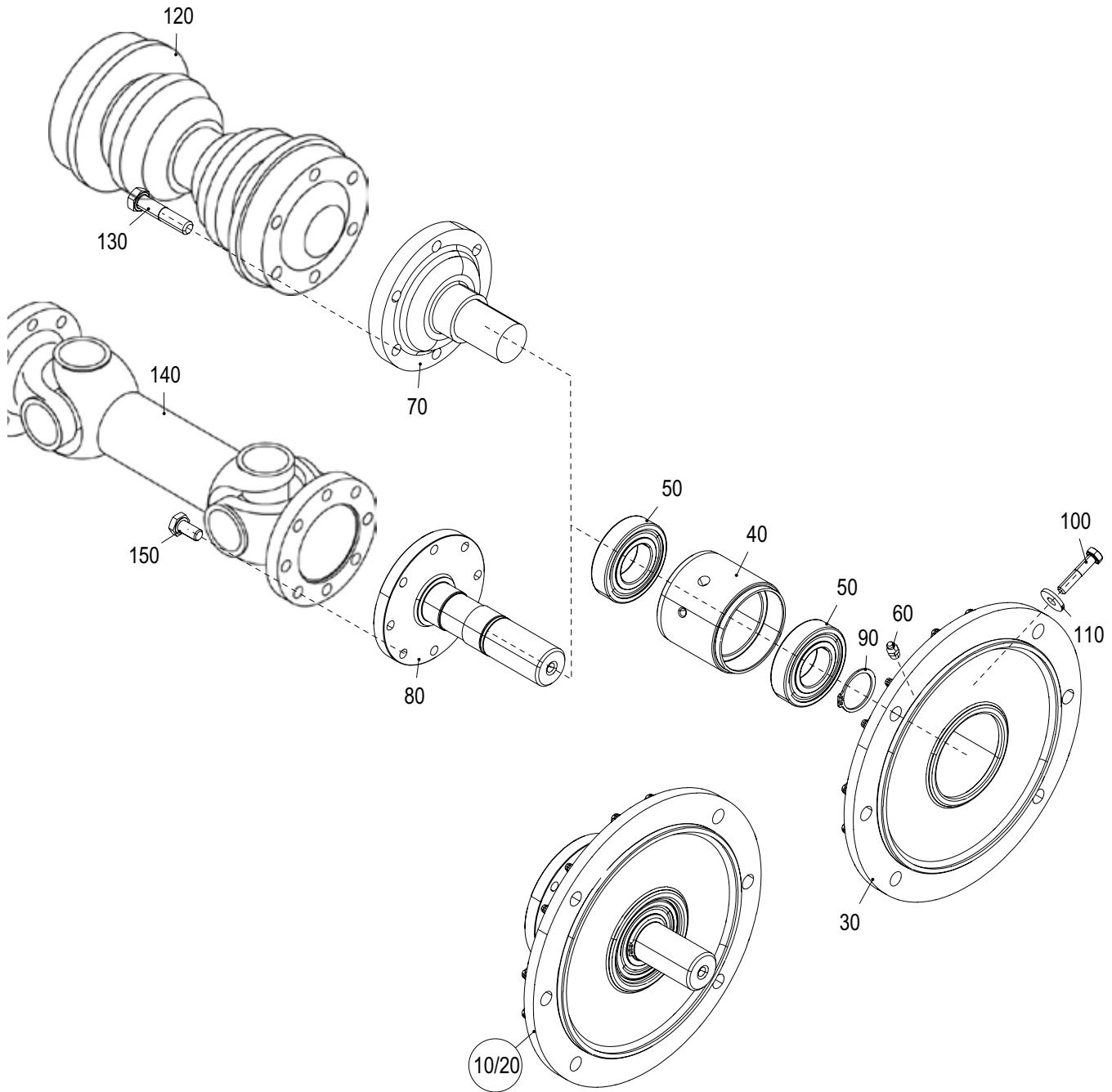


TA 0701

SE236 S36
MARINE

TRANSMISSION SHAFT, PTO SHAFT (ALU)

07016184-0



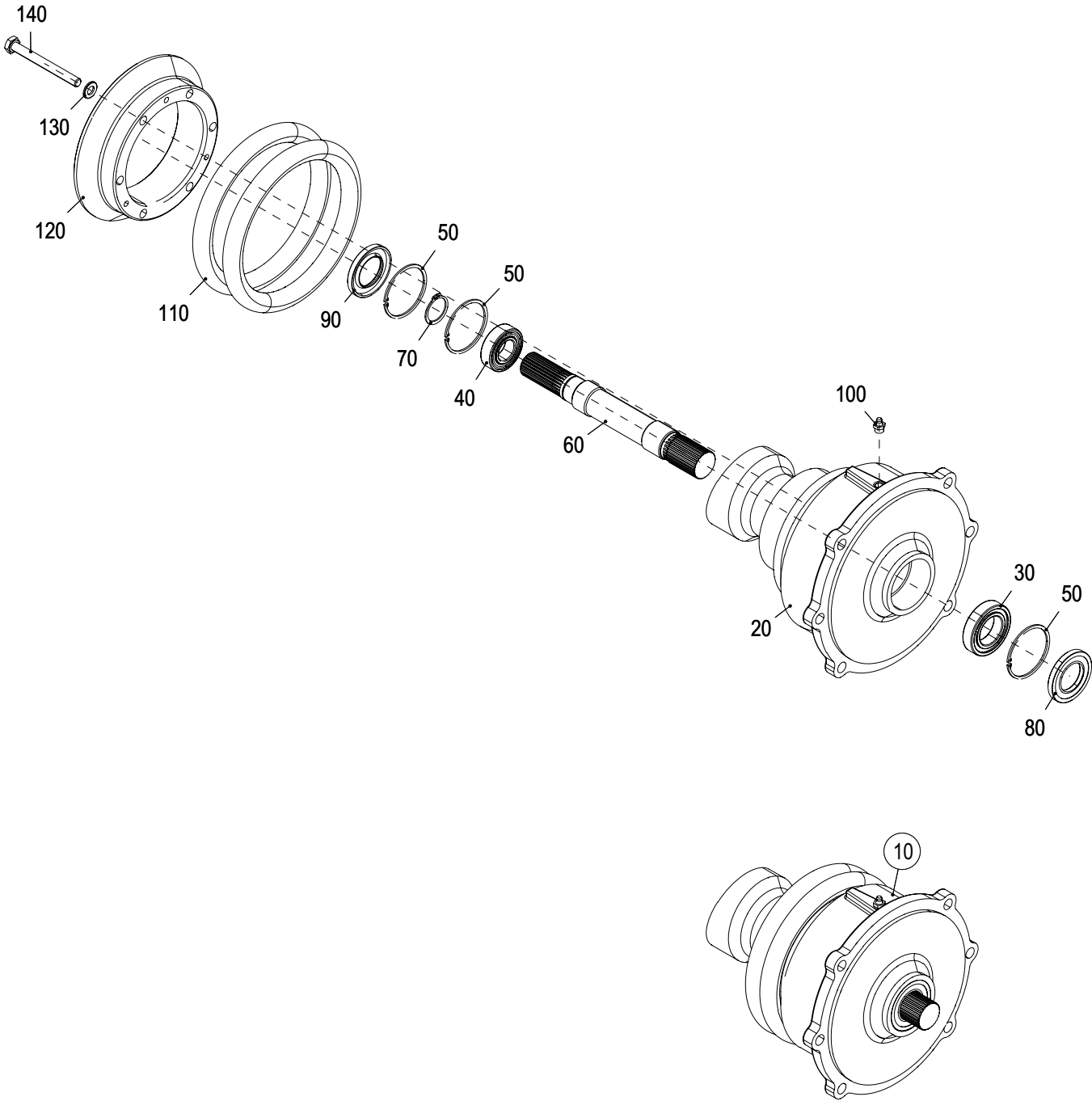


TA 0720

**SE236 S36
MARINE**

DRIVE ADAPTOR VOLVO STERNDRIVE

07206084-0



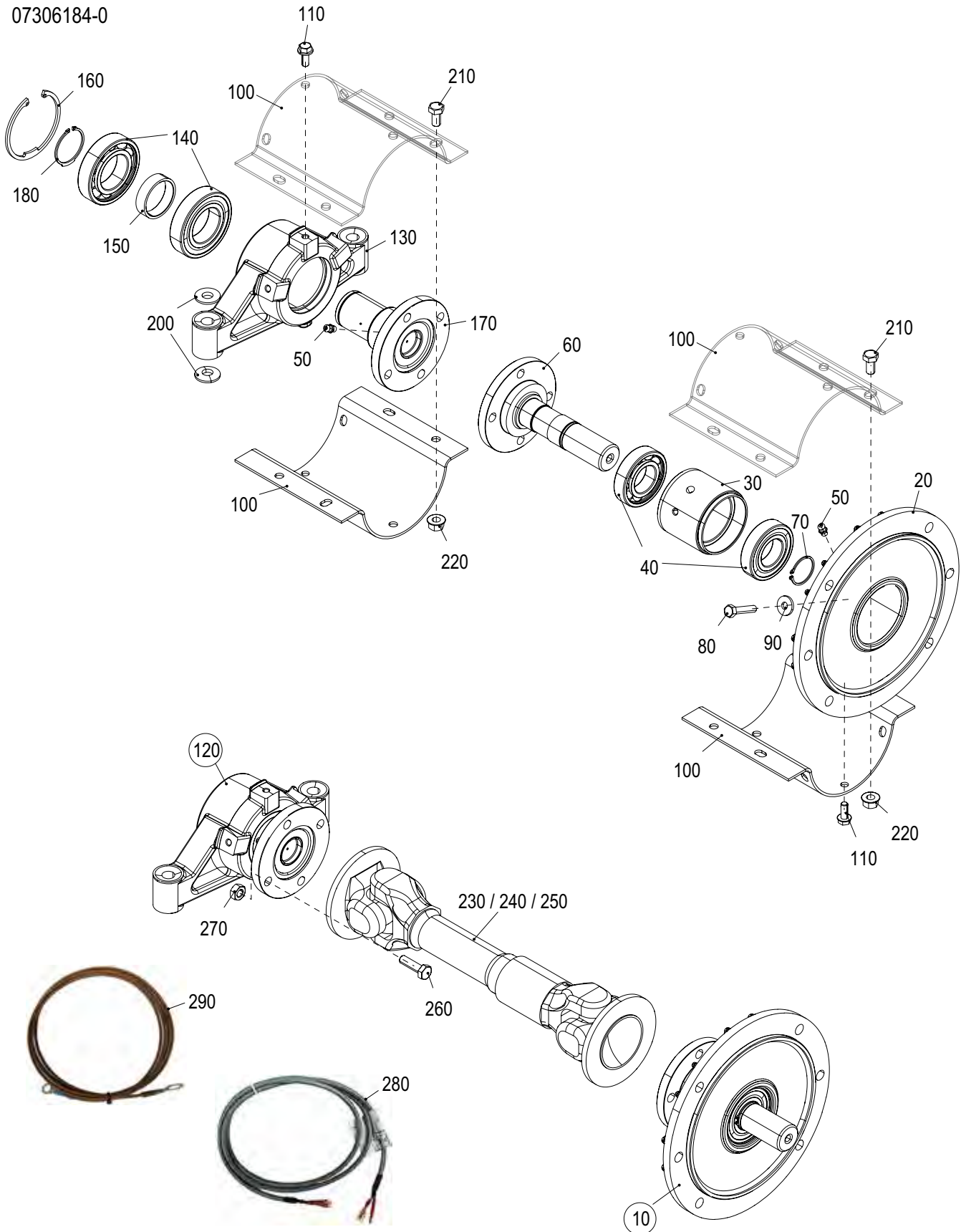


TA 0730

SE236 S36
MARINE

DRIVE SHAFT EXTENSION MERCURY STERNDRIVE

07306184-0



DRIVE SHAFT EXTENSION MERCURY STERNDRIVE

**SE236 S36
MARINE**

07306184-0

Pos.	Part.-No.	Qty	Designation	Step
10	Z002116-0	1	ADAPTER SHAFT ASSY. - MERCURY (RAL9006)	.1
20	Z002117-0	1	ADAPTER HOUSING (RAL9006) (ALU CASTING)	.2
30	2179328-0	1	BEARING RETAINER	.2
40	3311181-0	2	DEEP GROOVE BALL BEARING DIN 625-RS1	.2
50	3963112-0	2	LUBRICATING NIPPLE DIN 71412-AM8x1-A3F	.2
60	2178814-2	1	ADAPTER SHAFT (MERCURY)	.2
70	3933251-0	1	RETAINING RING SHAFT DIN 471-35x1.5	.2
80	3802442-0	2	HEX.SCR.ISO 4017-M8x40-8.8-FLZNNC-720H-L	.2
90	O125134-0	2	WASHER LARGE	.2
100	2179273-0	4	COVER PLATE	.1
110	9000305-0	6	BOLT EN1665-M8x20-10.9-FLZNNC-720H-L	.1
120	Z002118-0	1	BEARING BLOCK DRIVE SH. MERC.(RAL9006)	.1
130	Z002119-0	1	BEARING BLOCK DRIVE SH. MERC. (RAL9006)	.2
140	9000486-0	2	DEEP GROOVE BALL BEARING DIN 625-6209	.2
150	2179271-0	1	DISTANCE PLATE	.2
160	9000403-0	1	RETAINING RING BORE DIN 472-85x3	.2
170	Z002120-0	1	SHAFT-FLANGE DRIVE SHAFT MERC.	.2
180	3933350-0	1	RETAINING RING SHAFT DIN 471-45x1.75-BL	.2
200	2179274-0	4	WASHER SPHERIC	.1
210	3802515-0	8	HEX.SCR.ISO4017-M10x20-8.8-FLZNNC-720H-L	.1
220	9000052-0	8	HEX. NUT DIN 6927-M10-8-GEO321+VL 720H	.1
230	Z002079-0	1	DRIVE SHAFT L=432mm & SCREWS	.1
240	Z002080-0	1	DRIVE SHAFT L=1000mm & SCREWS	.1
250	Z002081-0	1	DRIVE SHAFT L=1500mm & SCREWS	.1
260	900634	8	HX.SR.ISO4017-M10x30-10.9-FLZNNC-720H-L	.2
270	900635	8	HEX.NUT DIN 934-M10-10.9-FLZNNC-720H-L	.2
280	2179352-0	1	EXTENSION CABLE - TRIMSENSOR 1.5m	.1
290	2179353-0	1	GROUND WIRE FLYW.HSG-TRANSOM 1.8m	.1



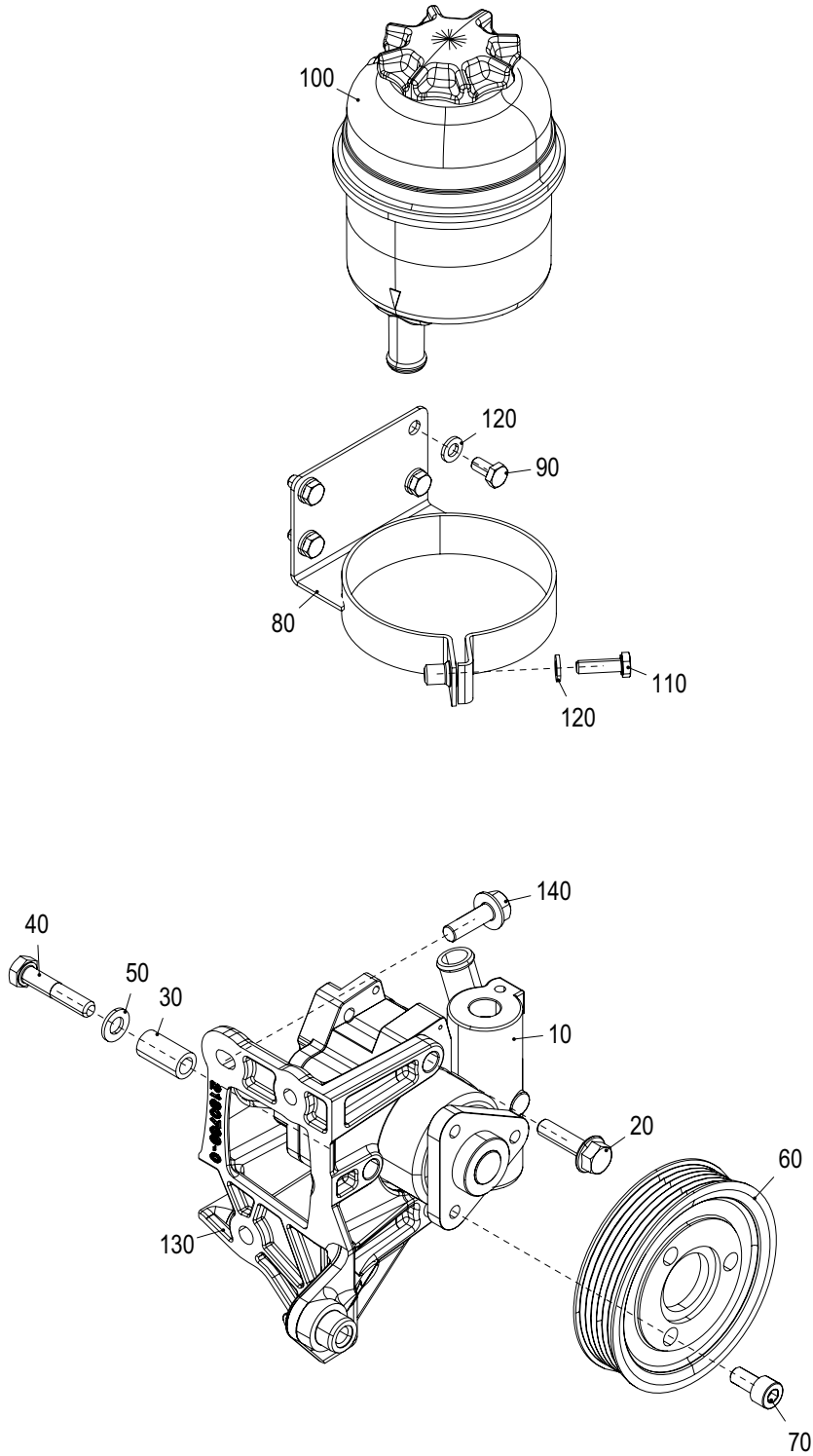


TA 1408

SE236 S36
MARINE

HYDRAULIC PUMP

14086284-0



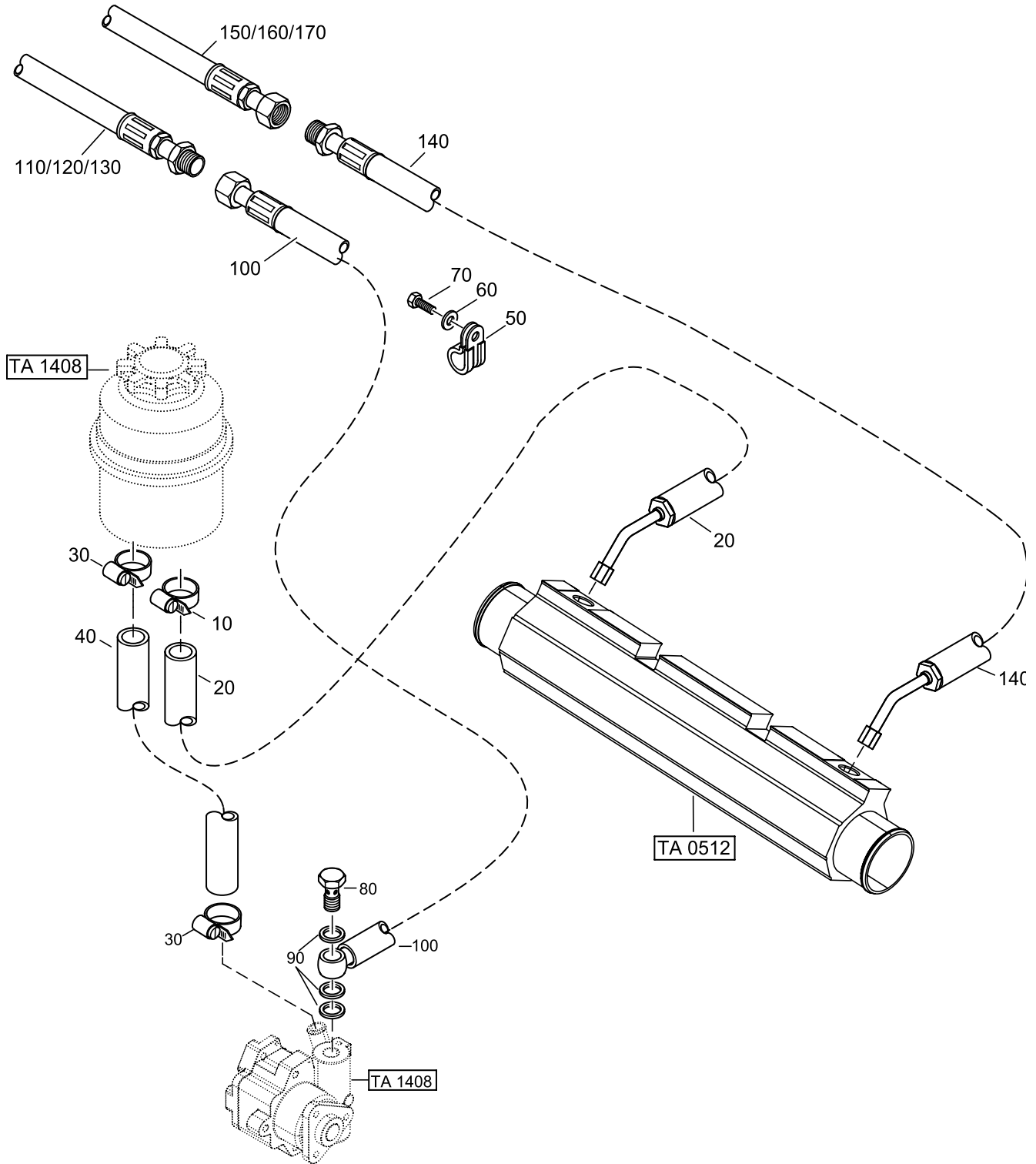


TA 1409

SE236 S36
MARINE

HYDRAULIC PIPES

14096284-0





TA 2207

SE236 S36
MARINE

ENGINE PREHEATING

22076284-0



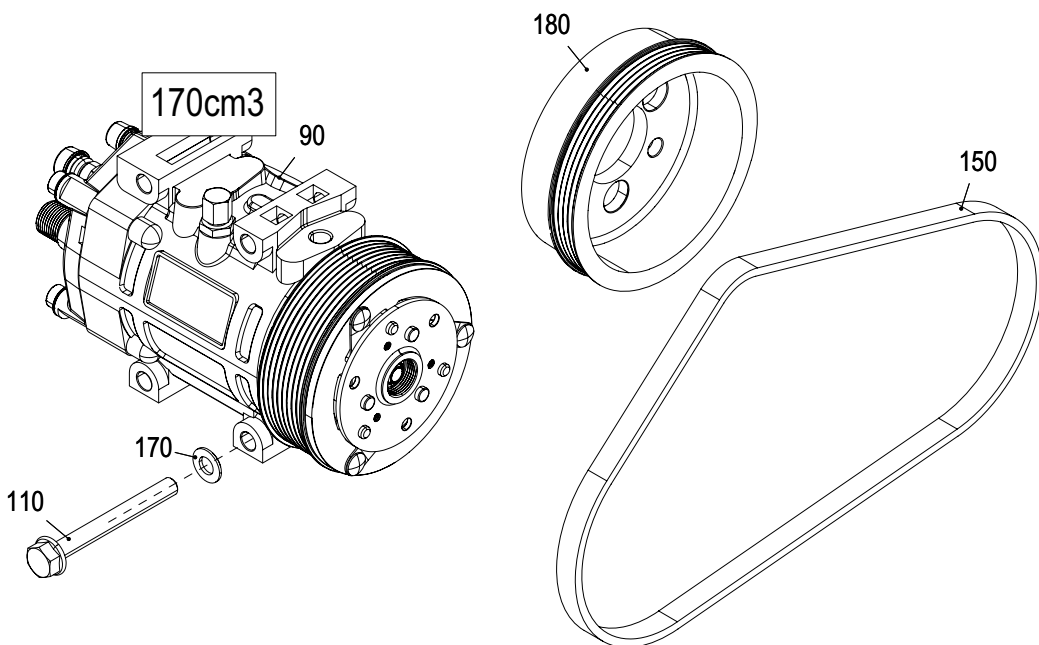
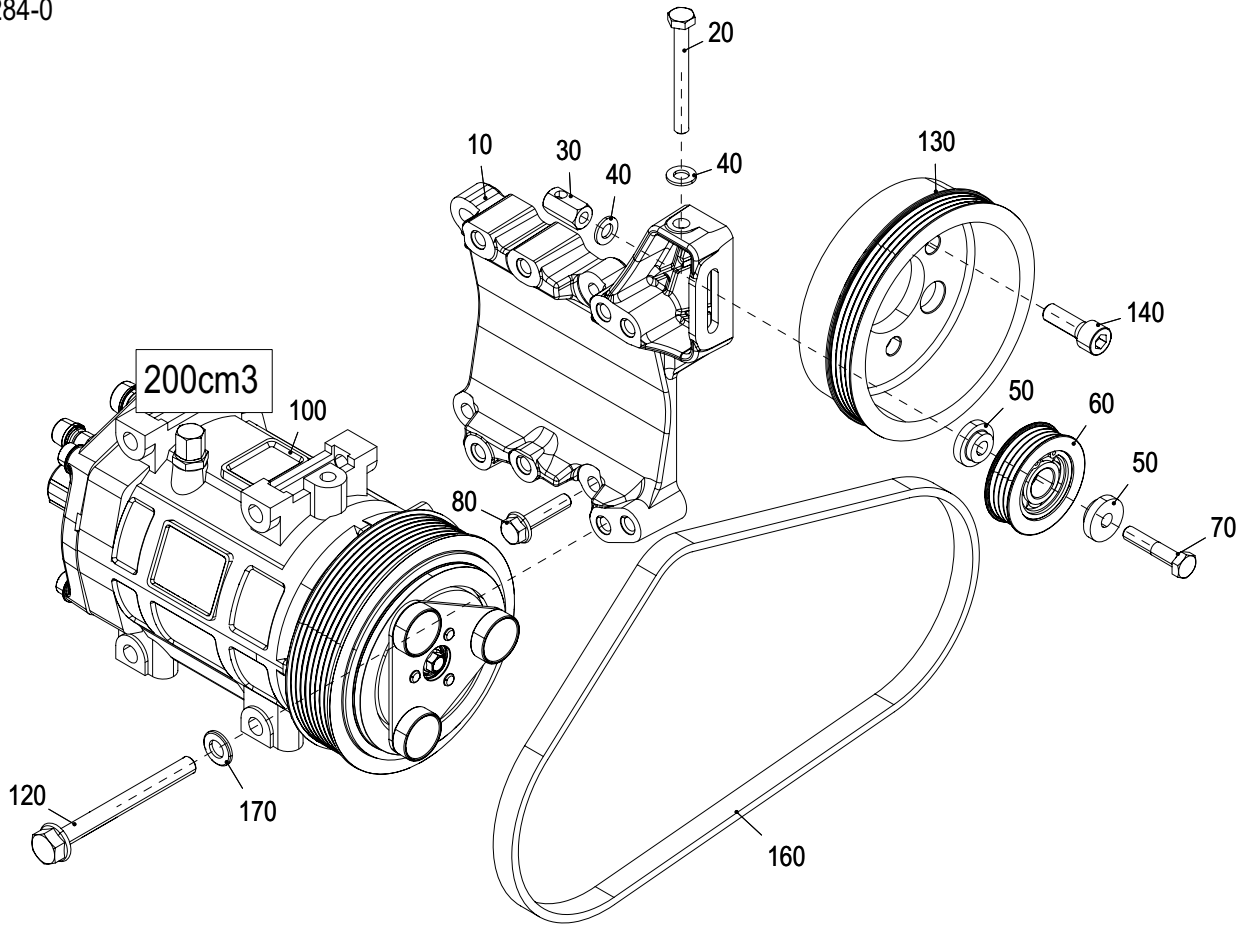


TA 5200

SE236 S36
MARINE

AIR CONDITIONING & DRIVE

52006284-0



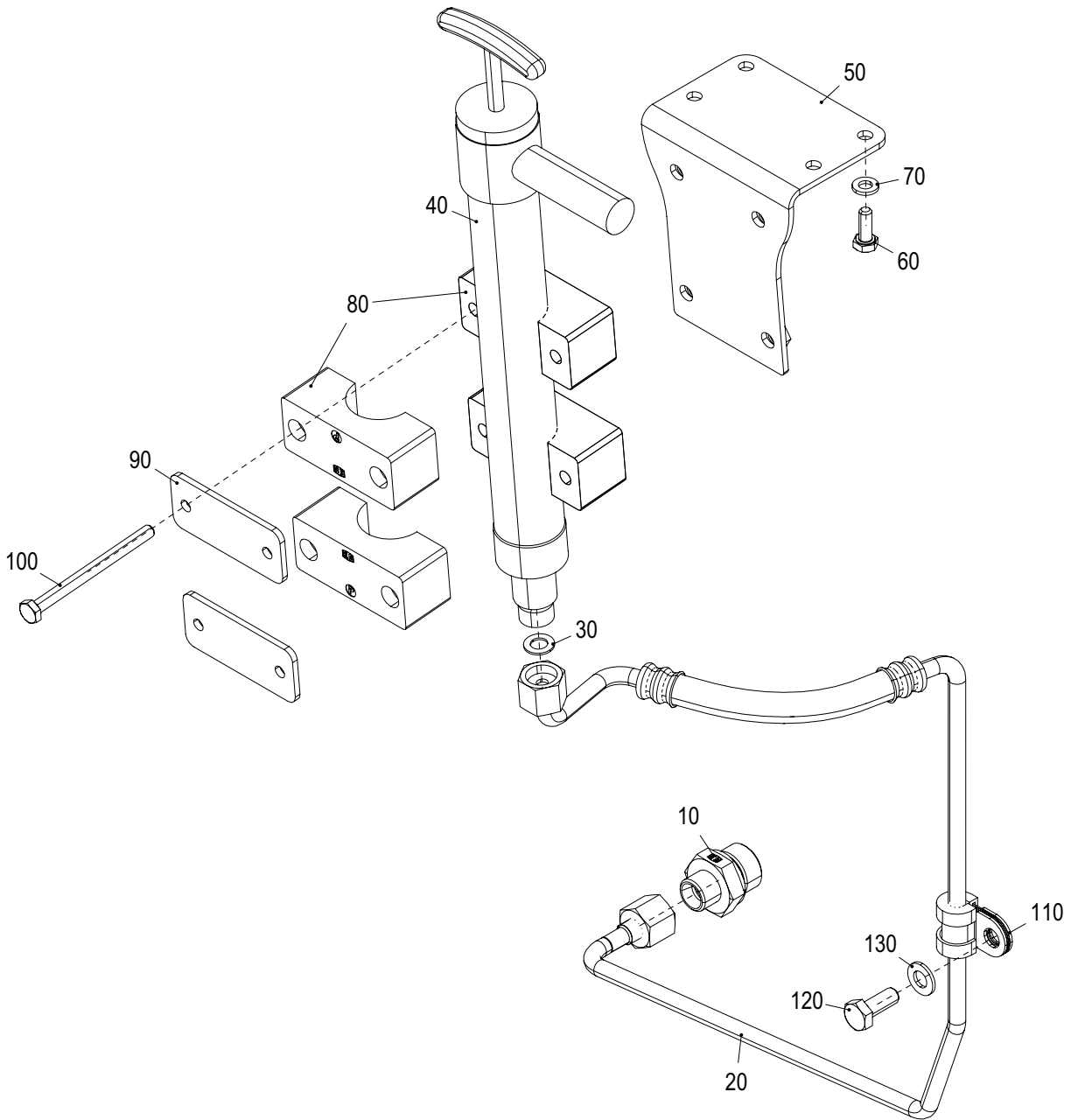


TA 5520

SE236 536
MARINE

OIL SUCTION PUMP

55206284-0



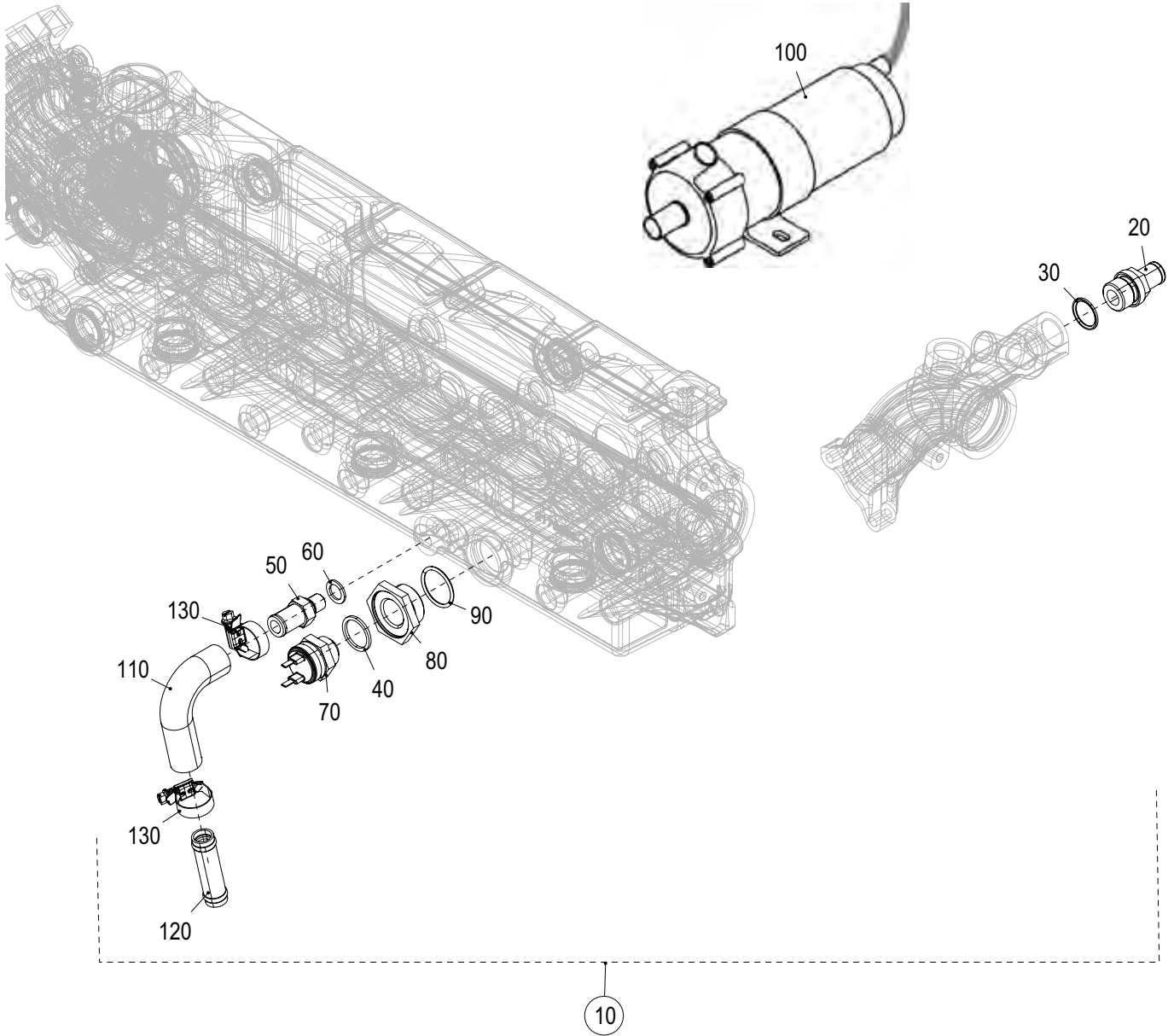


TA 6012

**SE236 S36
MARINE**

CABIN HEATER, CIRCULATION PUMP

60126284-0





TA 9000

SE236 S36 MARINE

GENERAL OPERATING MATERIAL

90006000-0

 10	 20	 30	 40
 50	 60	 70	 80
 90	 100	 110	 120
 130	 140	 150	 160
 170	 180	 190	



