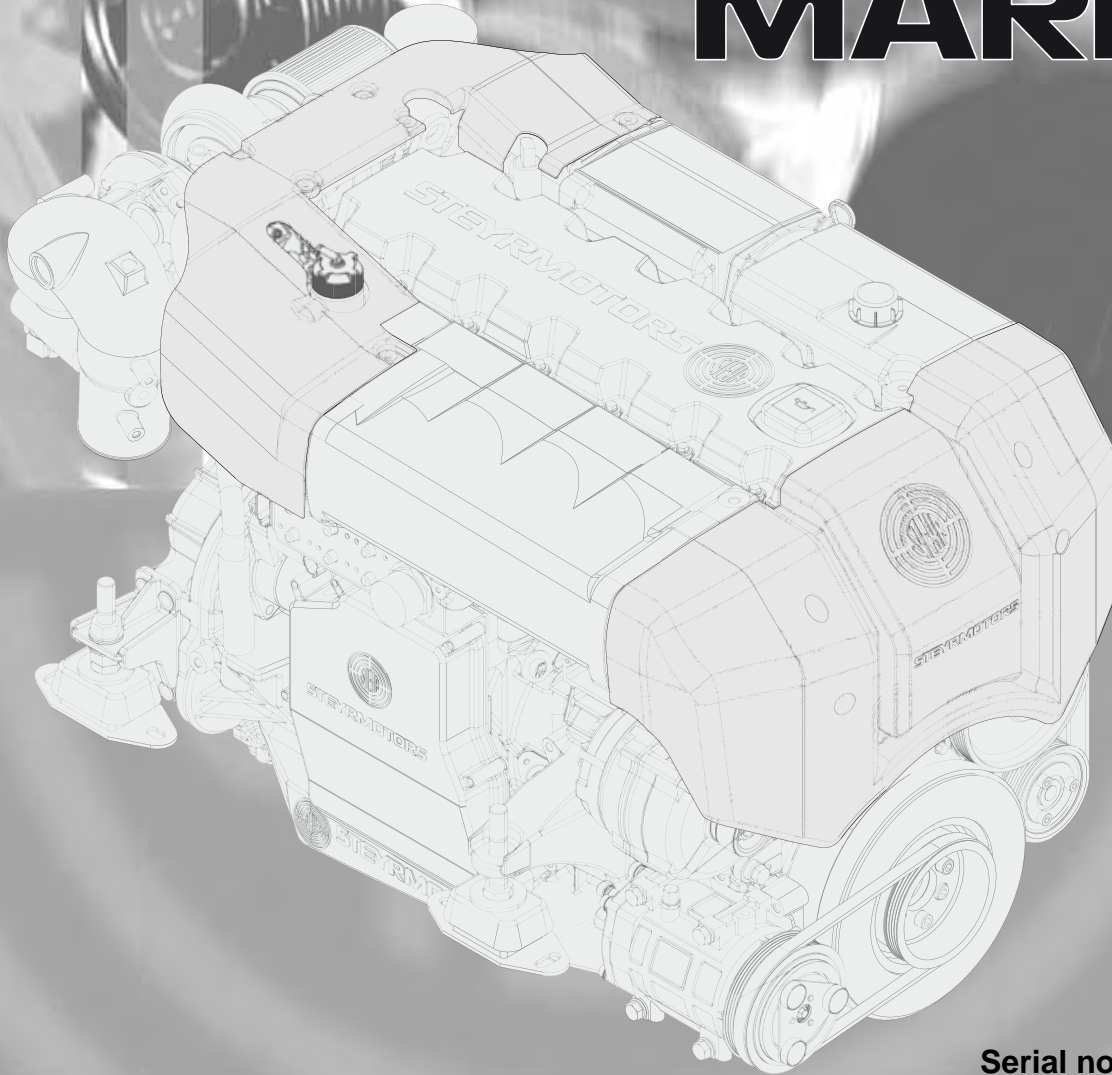


# STEYR MARINE ENGINES

## **SE186E38** **MARINE**



Serial no.: 682410001-->

# SPARE PARTS CATALOGUE

P/N 707743 2<sup>nd</sup> Edition, November 2024



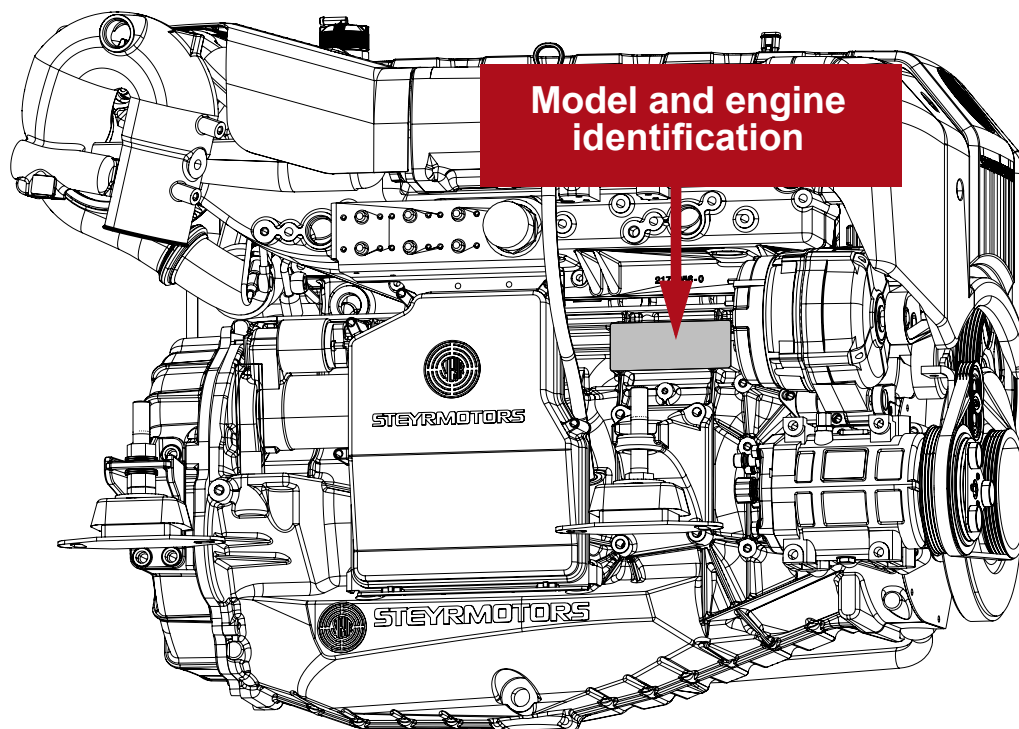
**STEYRMOTORS**



**SE186E38**  
**MARINE**

When ordering spare parts are always indicate model and engine number.  
This will speed up delivery and help to avoid mistakes.

The primary model and engine number is located on the engine as illustrated. These numbers are required when requesting warranty and ordering parts.




**Substituting automotive or generally supplied parts and hardware will often result in less than desired performance. For this reason, you should insist on the known quality of genuine STEYR Marine matched replacement parts, and should never use parts of unknown quality.**

We reserve the right to make changes in design and execution which incorporate advances in technology!



# SIGNS AND SYMBOLS

1 —————


TA 0101

CYLINDERBLOCK

**SE186E38**  
**MARINE**

2 ————— 01014084-0

<b>3</b>	<b>4</b>	<b>5</b>	<b>6</b>	<b>8</b>	<b>9</b>	<b>7</b>
Pos.	Part.-No.	Qty	Designation			Step
10	Z002676-0	1	SPARE PART COVER T-BELT →48226146			.2
20	2203711-1	1	COVER T-BELT, UPPER PART 48226147→			.2
30	9000538-0	3	HEX.FLANGE BOLT EN 1665-M6x50 A2-70			.2

- 1** Table number

**2** Partlist number for whole table/  
functional groups

**3** Positions number

**4** Spare part number

**5** Quantity for one engine respectively  
assembly group
- 6** Designation and description of spare part

**7** Groupparts are marked with a circle around the  
position number. Parts in the list below these,  
which had an increased step number by one, will  
be included at delivery.

**8** → 4..... Arrow before engine number:  
Spare part UNTIL and LOWER



**9** 4..... → Arrow past engine number:  
Spare part FROM and HIGHER

## ACROBAT

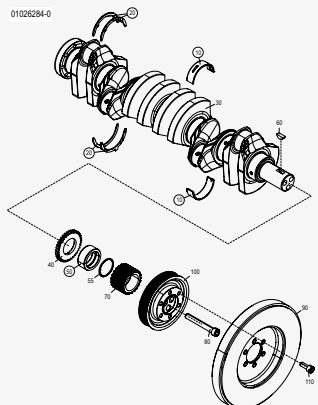
... back to "starting point"

... one page back

... one page forward

**SE186E38**  
**MARINE**  
01026284-0



**SE186E38**  
**MARINE**

Pos.	Part.-No.	Qty	Unit	Designation	Step

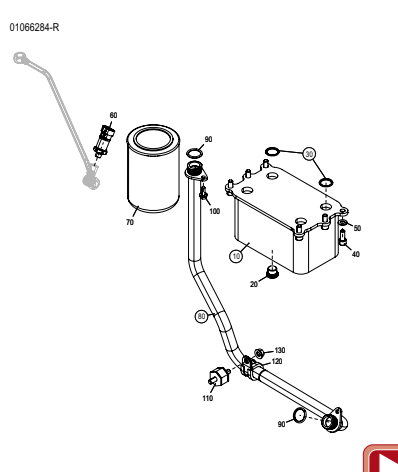

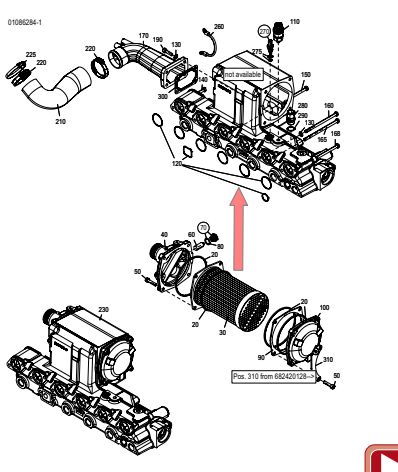

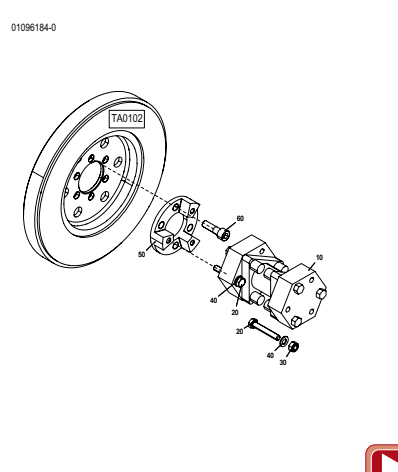

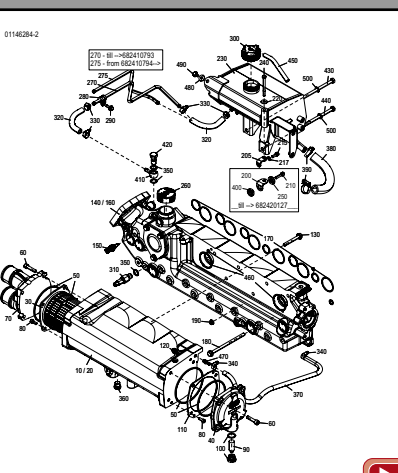

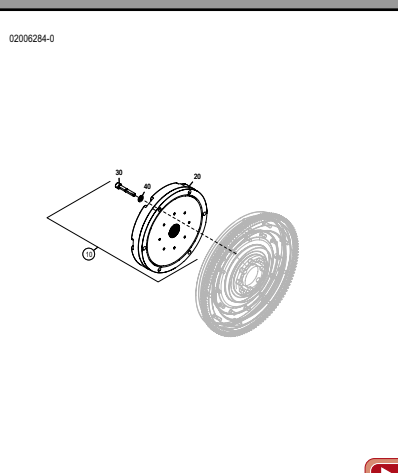

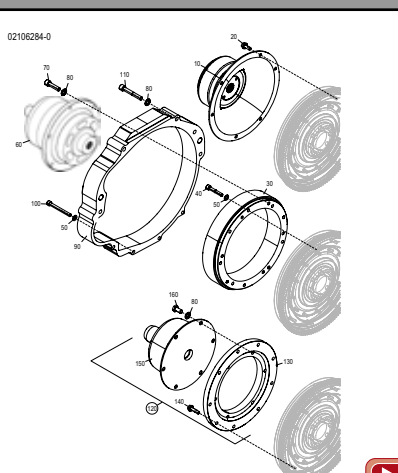

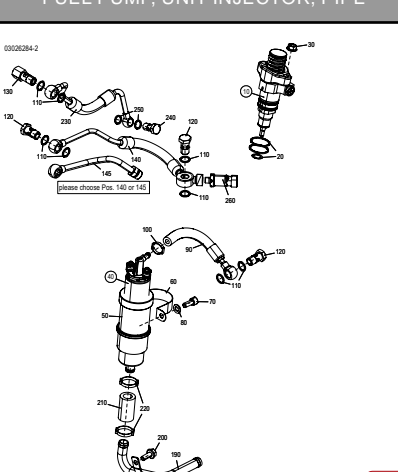

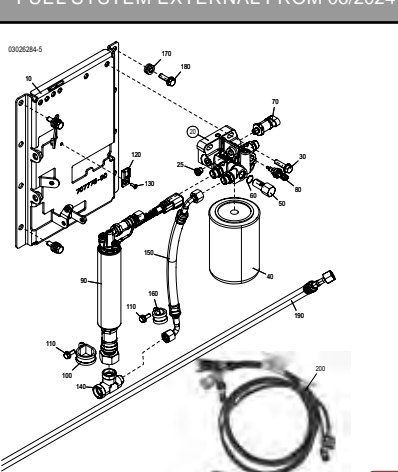

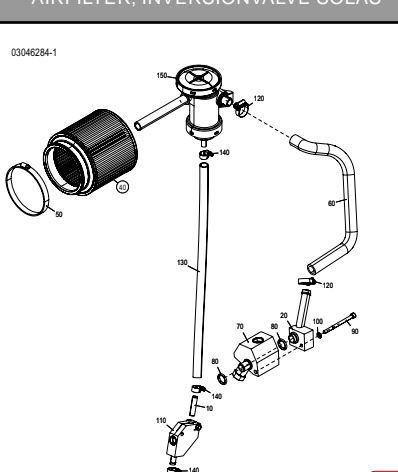



## SE186E38 MARINE

### TABLE OF CONTENTS - SPARE PARTS CATALOGUE

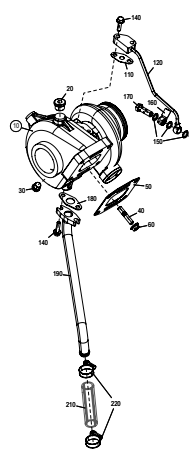

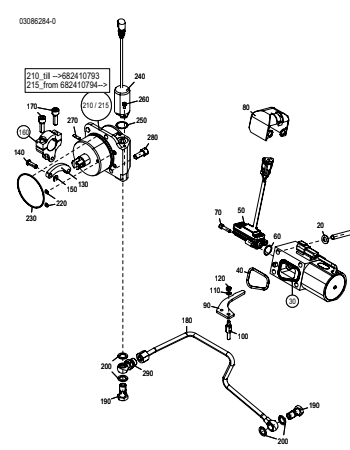

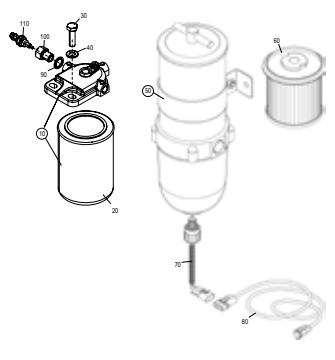

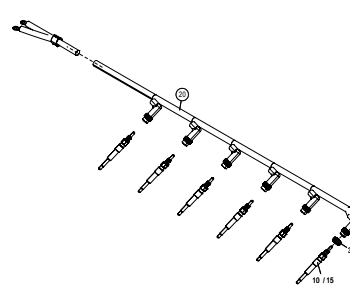

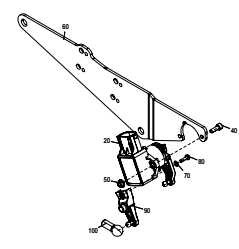

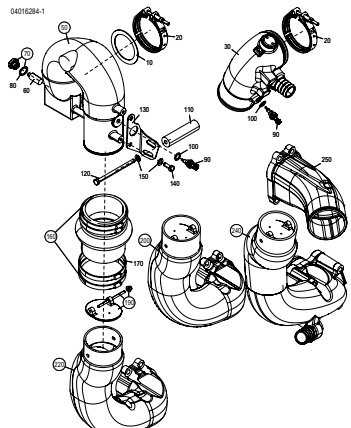

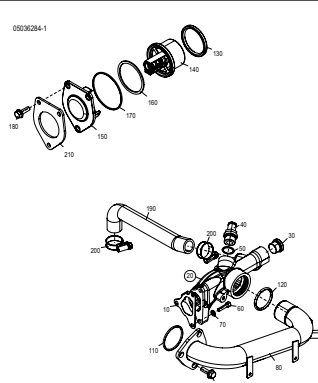

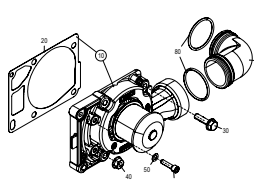

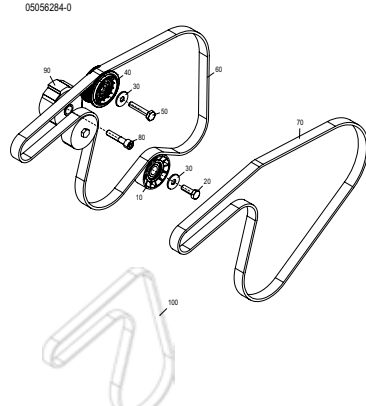

<p><b>Page 10</b> MOUNT BRACKET, BELT GUARD, GASKET SET</p> <p>ENGINE SEAL KIT</p>	<p><b>Page 12</b> CRANKCASE</p>	<p><b>Page 14</b> CRANKSHAFT, BEARING, DAMPER</p>
<p><b>Page 16</b> FLYWHEEL, FLYWHEELHOUSING</p>	<p><b>Page 18</b> PISTON, RINGS AND PIN, CONNECTION ROD</p>	<p><b>Page 20</b> CAMSHAFT HOUSING</p>
<p><b>Page 24</b> OILPAN, OIL DIPSTICK</p>	<p><b>Page 26</b> OIL PUMP, SUPPORT RING</p>	<p><b>Page 28</b> OIL SEPARATOR, BLOWBY LINES</p>



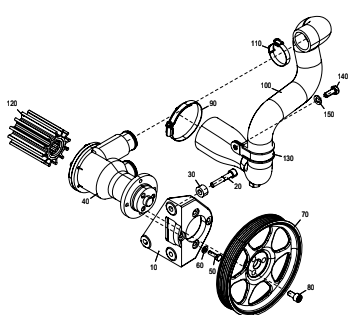

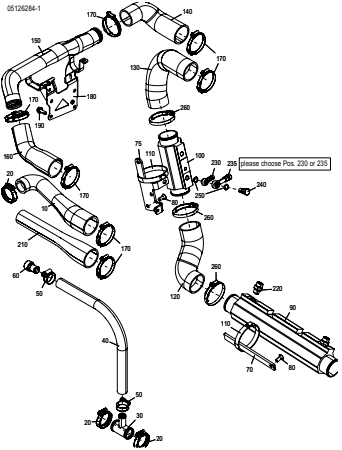

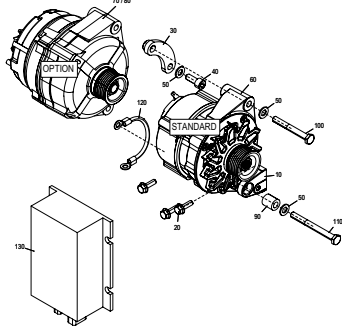

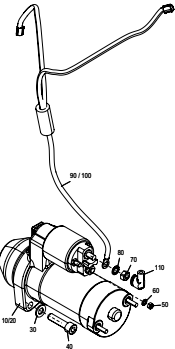

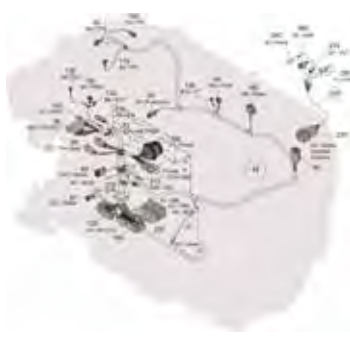

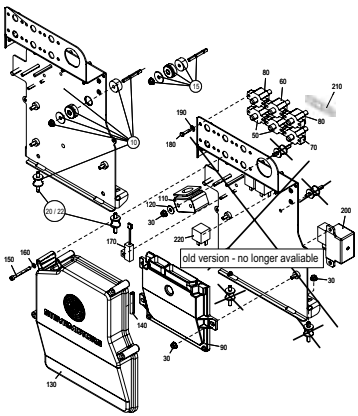

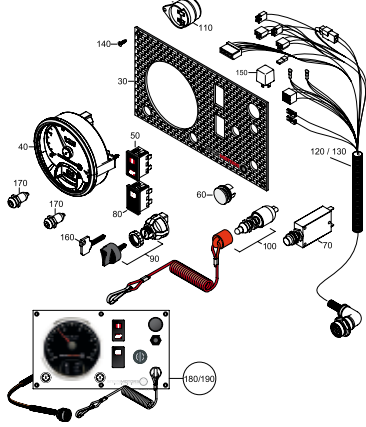

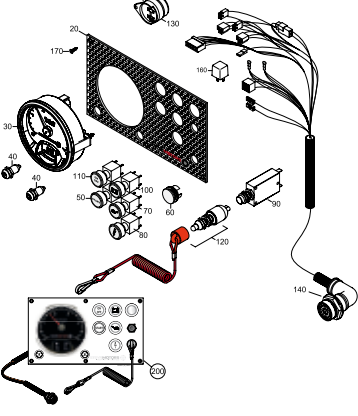



<p><b>Page 30</b> OIL COOLER, OILFILTER, OIL LINES</p>  <p style="text-align: right;"></p>	<p><b>Page 32</b> INTERCOOLER</p>  <p style="text-align: right;"></p>	<p><b>Page 34</b> POWER TAKE OFF FRONT</p>  <p style="text-align: right;"></p>
<p><b>Page 36</b> EXHAUST, HEAT EXCHANGER, GASKETS</p>  <p style="text-align: right;"></p>	<p><b>Page 40</b> TORSIONAL COUPLING</p>  <p style="text-align: right;"></p>	<p><b>Page 42</b> COUPLER</p>  <p style="text-align: right;"></p>
<p><b>Page 44</b> FUEL PUMP, UNIT INJECTOR, PIPE</p>  <p style="text-align: right;"></p>	<p><b>Page 46</b> FUEL SYSTEM EXTERNAL FROM 06/2024</p>  <p style="text-align: right;"></p>	<p><b>Page 48</b> AIRFILTER, INVERSIONVALVE SOLAS</p>  <p style="text-align: right;"></p>





<p><b>Page 50</b></p> <p>TURBO</p> <p>03056284-1</p>  	<p><b>Page 52</b></p> <p>CONTR.SOLENOID, INJ. TIMING DEVICE</p> <p>03086284-0</p> <p>210 28 -&gt; 682410793 215 From 682410794 -&gt;</p>  	<p><b>Page 54</b></p> <p>FUEL FILTER</p> <p>03096284-1</p>  
<p><b>Page 56</b></p> <p>GLOW PIN</p> <p>03116084-0</p>  	<p><b>Page 58</b></p> <p>POTENTIOMETER ACCELERATOR</p> <p>03120284-1</p>  	<p><b>Page 60</b></p> <p>HIGH RISER, EXHAUSTPIPE</p> <p>04016284-1</p>  
<p><b>Page 62</b></p> <p>WATERPIPE, THERMOSTAT</p> <p>05036284-1</p>  	<p><b>Page 64</b></p> <p>WATERPUMP</p> <p>05046284-0</p>  	<p><b>Page 66</b></p> <p>DRIVE BELTS, PULLEYS, TENSIONER</p> <p>05056284-0</p>  





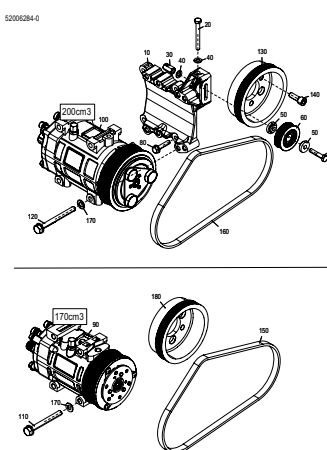

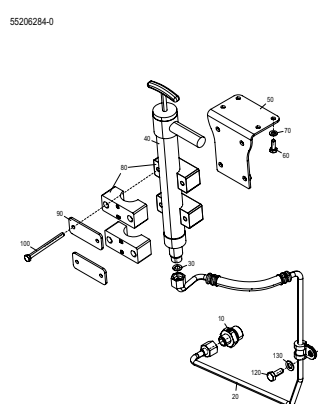

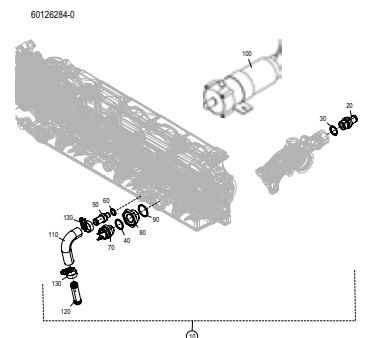



<p><b>Page 68</b></p> <p>RAW WATER PUMP</p> <p>05106284-0</p>  	<p><b>Page 70</b></p> <p>RAW WATER PIPES</p> <p>05120284-1</p>  <p>Please choose Pos. 230 or 235</p> 	<p><b>Page 72</b></p> <p>ALTERNATOR</p> <p>06016284-0</p>  
<p><b>Page 74</b></p> <p>STARTER</p> <p>06036284-0</p>  	<p><b>Page 76</b></p> <p>ENGINE HARNESS</p> <p>06056284-1</p>  	<p><b>Page 78</b></p> <p>SECURITYSYSTEM, FUSES, ECU, E- BOX</p> <p>06066284-8</p>  
<p><b>Page 80</b></p> <p>INSTRUMENT PANEL (STANDA. FROM 2013/08)</p> <p>06072184-2</p>  	<p><b>Page 82</b></p> <p>INSTRUMENT PANEL SOLAS (FROM 2013/08)</p> <p>06082184-5</p>  	<p><b>Page 84</b></p> <p>SCC-DISPLAY (STEYR CONTROL CENTER)</p> <p>06106184-4</p>  





<p><b>Page 86</b> SCC KEY IGNITION PANEL</p> <p>06112184-1</p>	<p><b>Page 88</b> SCC PUSH BUTTON IGNITION PANEL</p> <p>06122184-1</p>	<p><b>Page 90</b> EXTENSION CABLE INSTRUMENTS</p> <p>06136184-0</p>
<p><b>Page 92</b> TRANSMISSION, BRACKETS, PIPES - ZF68</p> <p>07006284-0</p>	<p><b>Page 94</b> TRANSMISSION SHAFT, PTO SHAFT (ALU)</p> <p>07016184-0</p>	<p><b>Page 96</b> DRIVE ADAPTOR VOLVO STERNDRIVE</p> <p>07206084-0</p>
<p><b>Page 98</b> DRIVE SHAFT EXT. MERCURY STERNDRIVE</p> <p>07306184-0</p>	<p><b>Page 100</b> HYDRAULIC PUMP</p> <p>14086284-0</p>	<p><b>Page 102</b> HYDRAULIC PIPES</p> <p>14096284-0</p>



<p><b>Page 104</b></p> <p>ENGINE PREHEATING</p>  <p>22076284-0</p> 	<p><b>Page 106</b></p> <p>AIR CONDITIONING &amp; DRIVE</p>  <p>5208284-0</p> 	<p><b>Page 108</b></p> <p>OIL SUCTION PUMP</p>  <p>55206284-0</p> 
<p><b>Page 110</b></p> <p>CABIN HEATER, CIRCULATION PUMP</p>  <p>60126284-0</p> 	<p><b>Page 112</b></p> <p>OPERATING MATERIAL</p>  <p>9006000-0</p> 	



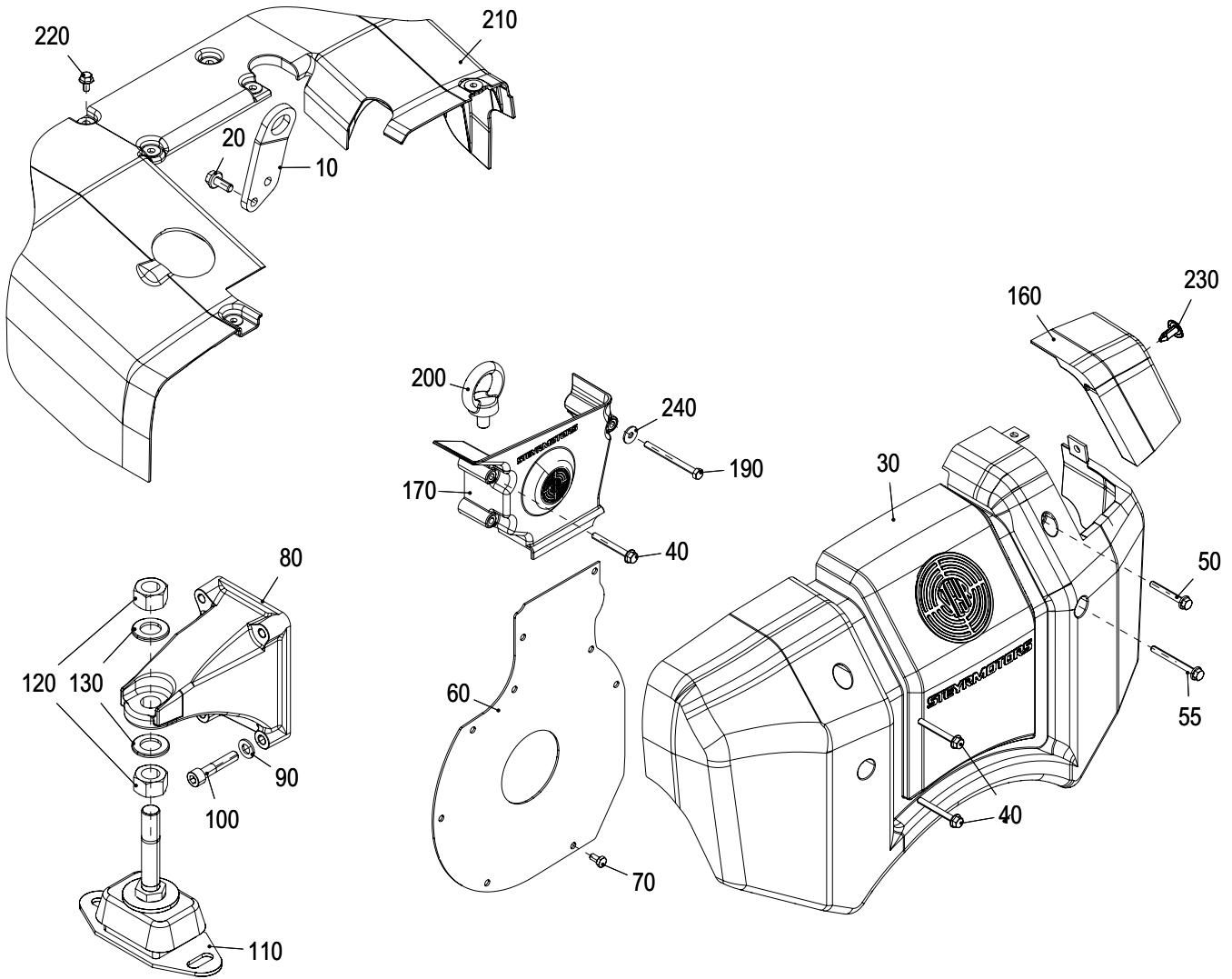


TA 0100

**SE186E38  
MARINE**

**MOUNT BRACKET, COVER T-BELT, GASKET SET**

01006284-0



**ENGINE SEAL KIT**



<b>MOUNT BRACKET, COVER T-BELT, GASKET SET</b>	<b>SE186E38 MARINE</b>
--	----------------------------

01006284-0

Pos.	Part.-No.	Qty	Designation	Step
10	2201024-0	1	ENGINE LIFT SHACKLE	.1
20	9000271-0	2	BOLT EN1665-M8x25-10.9-FLZNNC-720H-L	.1
30	2180836-0	1	COVER T-BELT	.1
40	9000538-0	4	HEX.FLANGE BOLT EN 1665-M6x50-A2-70	.1
50	9001362-0	1	HEX.BOLT EN 1665-M6x40-8.8-FLZNNC-720H-L	.1
55	9001248-0	1	HEX.FLANGE BOLT EN 1665-M6x60-A2-70	.1
60	2181204-0	1	COVER PLATE, COVER T-BELT	.1
70	3800238-0	9	HEX.HD.SCR. ISO 4017-M6x12-A4-70	.1
80	2177598-9	2	MOUNT BRACKET, FRONT (RAL9006)	.1
90	3930075-0	8	WASHER ISO 7089-10-A4-200HV	.1
100	9000014-1	8	SCR. ISO 4762-M10x50-10.9-FLZNNC-720H-L	.1
110	2203804-5	4	ENGINE MOUNT ASSY 55SH	.1
120	9000442-0	2	HX.NUT ISO8673-M18x1.5-8-A-FLZNNC-720H-L	.2
130	9000441-0	2	LOCKWASHER 19.5x34.5	.2
140	Z026130-0	1	SEAL KIT, W-O FRAME SEAL	.1
150	Z026132-0	1	SEAL KIT, WITH FRAME SEAL	.1
160	2181029-0	1	COVER T-BELT PART 2	.1
170	2181026-0	1	COVER T-BELT, LOWER PART	.1
190	9001104-0	1	HEX. BOLT ISO 4014-M6x70-A2-70	.1
200	9001105-0	1	RING BOLT DIN 580-M12-A2	.1
210	2180838-0	1	COVER REAR	.1
220	9001001-0	6	HEX.FLANGE BOLT EN 1665-M6x16-A4-70	.1
230	9001126-0	1	UNSCREWING SNAP RIVET 8mm	.1
240	900221	1	WASHER ISO 7093-1-6-200HV-A4	.1



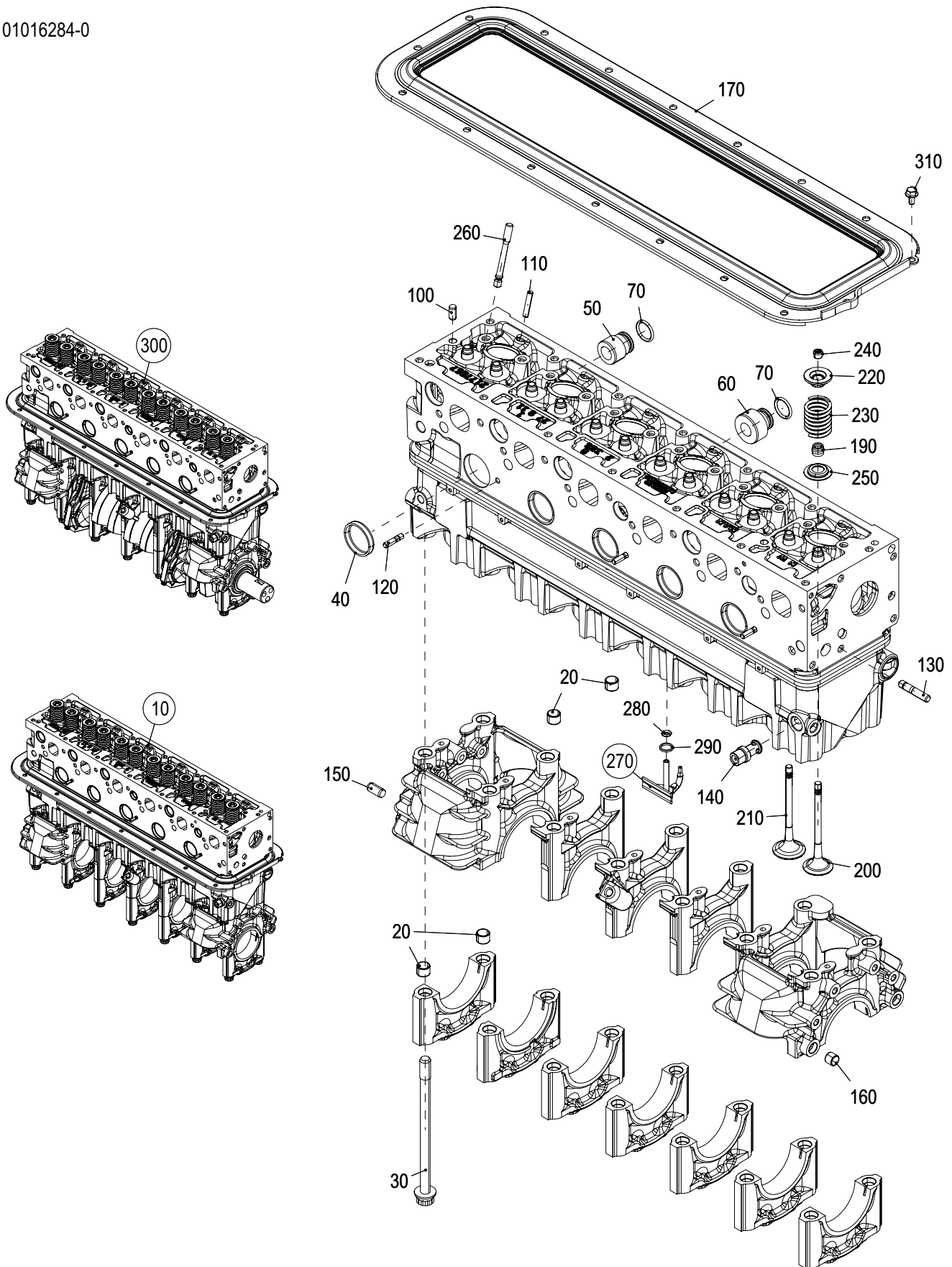


TA 0101

## SE186E38 MARINE

### CRANKCASE

01016284-0



<b>CRANKCASE</b>	<b>SE186E38 MARINE</b>
------------------	----------------------------

01016284-0

Pos.	Part.-No.	Qty	Designation	Step
10	MZ60284-0	1	CYL. BLOCK ASSY. MARINE (INCL. VALVES)	.1
20	2172799-0	24	FITTING SLEEVE	..2
30	2174329-0	14	BOLT, MAIN BEARING	..2
40	2170309-0	6	CORE HOLE PLUG 40-8	..2
50	2180872-0	2	O-RING SLEEVE	..2
60	2180873-0	3	O-RING SLEEVE	..2
70	9001076-0	5	O-RING 19,2x3	..2
100	3901416-0	2	PARALLEL PIN ISO 2338-8m6x16-ST	..2
110	3901328-0	6	PARALLEL PIN ISO 2338-6m6x30-ST	..2
120	9000327-0	3	STUD DIN 939-M6x20-8.8-FLZNNC-720H-L	..2
130	3812435-0	1	STUD DIN 938-M8x35-8.8-FLZNNC-720H-L	..2
140	2178525-1	1	COOLING OIL VALVE ASSY.	..2
150	3901509-0	2	PARALLEL PIN ISO 2338-10m6x20-ST	..2
160	2170298-0	2	FITTING SLEEVE	..2
170	2205379-0	1	FRAME SEAL	..2
190	2172096-1	12	VALVE STEM SEAL	..2
200	707642	6	EXHAUST VALVE	..2
210	707641	6	INTAKE VALVE	..2
220	2177349-0	12	VALVE-SPRING RETAINER	..2
230	2172362-0	12	VALVE SPRING	..2
240	S21701710	24	VALVE COLLET	..2
250	2177415-0	12	SPRING SUPPORT	..2
260	2174321-1	12	STUD	.1
270	2178478-3	6	SPRAYING NOZZLE ASSY.	.1
280	2179896-0	6	O-RING 5.23 x 2.62 (GREEN)	..2
290	2179658-0	6	BACK-UP RING	.1
300	MT60284-0	1	PARTIAL ENGINE	.1
310	9000287-0	17	BOLT EN1665-M6x12-8.8-FLZNNC-720H-L	.1



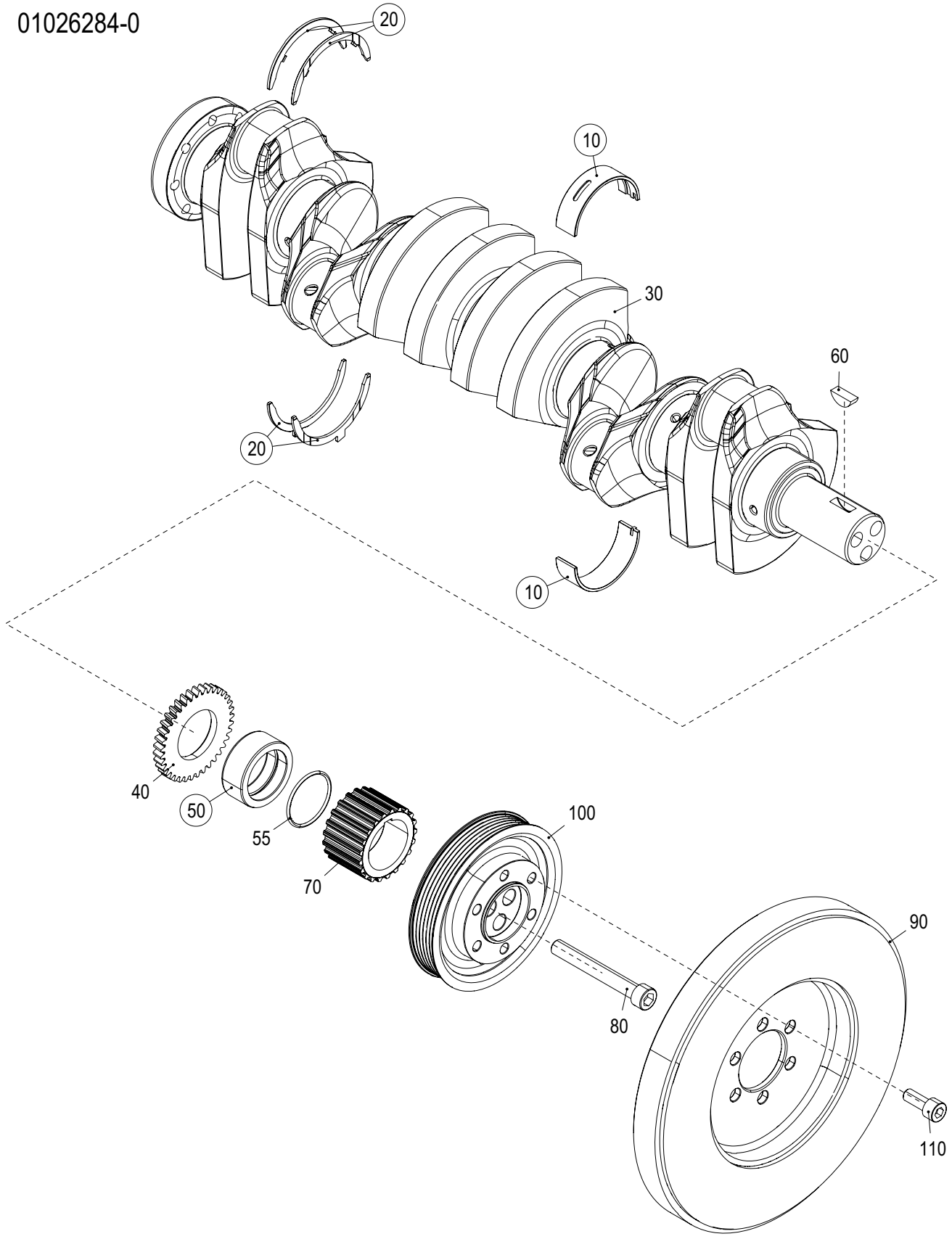


TA 0102

**SE186E38**  
**MARINE**

**CRANKSHAFT, BEARING, DAMPER**

01026284-0



<b>CRANKSHAFT, BEARING, DAMPER</b>	<b>SE186E38</b> <b>MARINE</b>
------------------------------------	----------------------------------

01026284-0

Pos.	Part.-No.	Qty	Designation	Step
10	Z002003-0	7	MAIN BEARING KIT, CRANKSHAFT	.1
20	Z002002-0	1	AXIAL BEARING KIT, CRANKSHAFT	.1
30	2172816-0	1	CRANKSHAFT	.1
40	2172584-2	1	GEAR	.1
50	Z021016-0	1	BARREL RING INCL. O-RING	.1
55	2179098-0	1	O-RING 42x2.5	.2
60	3960012-0	1	WOODRUFFKEY DIN 6888-8x9	.1
70	707371	1	SYNCHRONOUS BELT PULLEY	.1
80	9000635-0	3	HEX.SOCK. SCR. ISO 4762-M12x90-12.9-DAC	.1
90	2200664-2	1	VISCO DAMPER	.1
100	2180681-0	1	PULLEY, CRANKSHAFT	.1
110	9000511-0	6	HEX.SOCK. SCR. ISO 4762-M10x25-12.9	.1



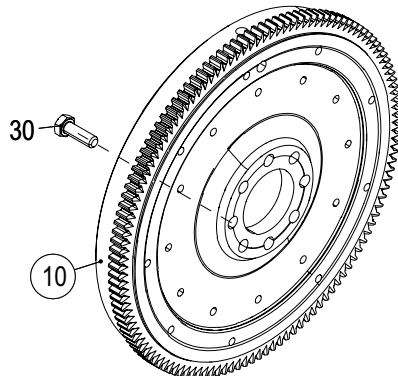
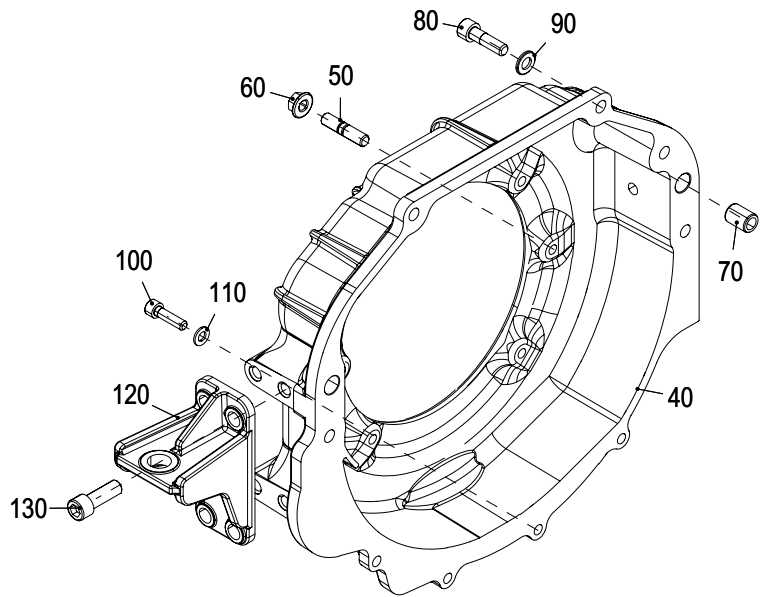
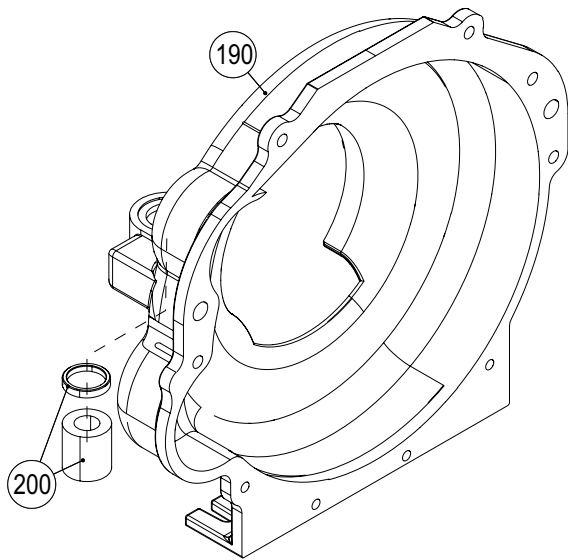
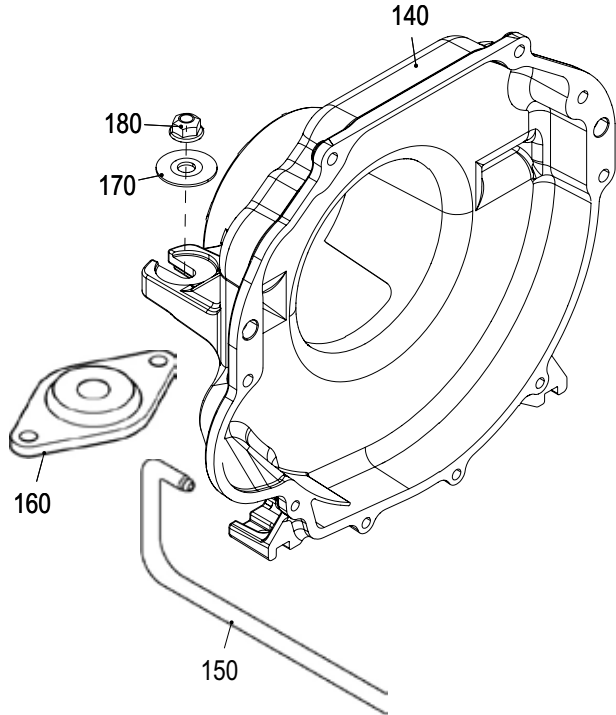
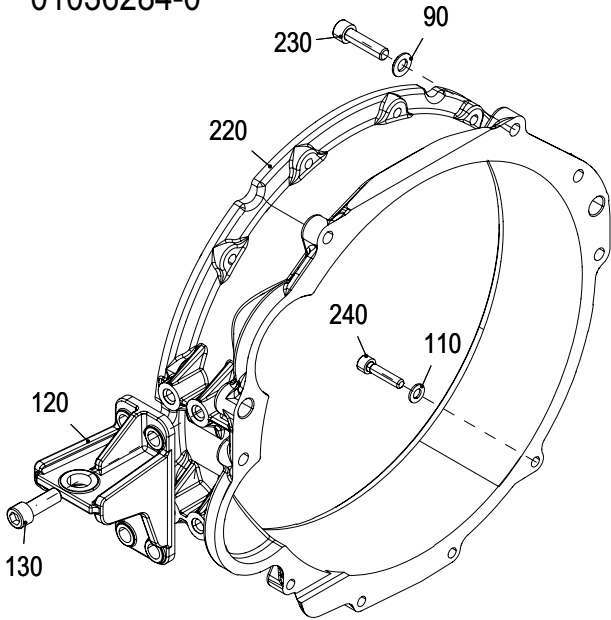


TA 0103

**SE186E38**  
**MARINE**

## FLYWHEEL, FLYWHEELHOUSING

01036284-0



<b>FLYWHEEL, FLYWHEELHOUSING</b>	<b>SE186E38 MARINE</b>
----------------------------------	----------------------------

01036284-0

Pos.	Part.-No.	Qty	Designation	Step
10	500911	1	FLYWHEEL ASSY.	.1
30	2174592-0	8	HEX.HD.SCR. ISO 4017-M10x30-12.9	.1
40	2180981-0	1	HOUSING-FLYWHEEL INBOARD (RAL9006)	.1
50	9000371-0	6	STUD DIN 835-M10x25-8.8-FLZNNC-720H-L	.1
60	9000042-1	6	HEX. NUT DIN 6923-M10-8-FLZNNC-720H-L	.1
70	3900184-0	2	SPRING PIN, SLIGHT TYPE ISO 13337-16x22	.1
80	3862545-0	5	HEX.SOCK. SCR. ISO 4762-M10x35-A2-70	.1
90	3930075-0	5	WASHER ISO 7089-10-A4-200HV	.1
100	3862433-0	4	HEX.SOCK. SCR. ISO 4762-M8x30-A4-70	.1
110	3930103-0	4	WASHER ISO 7089-8-A4-200HV	.1
120	2178722-1	2	BRACKET FLYWHEEL HOUSING	.1
130	9000081-0	8	HEX.SCR.ISO4762-M12x35-8.8-FLZNNC-720H-L	.1
140	O915157-9	1	FLYWHEELHOUSING OMC/VOLVO SX (RAL9006)	.1
150	O913787-0	1	HOSE-FLYWHEEL HOUSING	.1
160	O986712-0	1	KIT REAR MOUNTS INCL. SMALL PARTS	.1
170	O911778-0	2	WASHER, REAR MOUNT	.1
180	O313623-0	2	LOCK NUT, REAR MOUNT	.1
190	2178833-M	1	HOUSING FLYWHEEL MERCURY ASSY. (RAL9006)	.1
200	707653	1	FLYWHEEL HOUSING MOUNT KIT	.2
220	2181327-0	1	HOUSING FLYWHEEL SAE 4 (RAL9006)	.1
230	3860149-0	5	HEX.SCR.ISO4762-M10x40-8.8-FLZNNC-720H-L	.1
240	9000064-0	4	HEX.SCR.ISO 4762-M8x35-8.8-FLZNNC-720H-L	.1



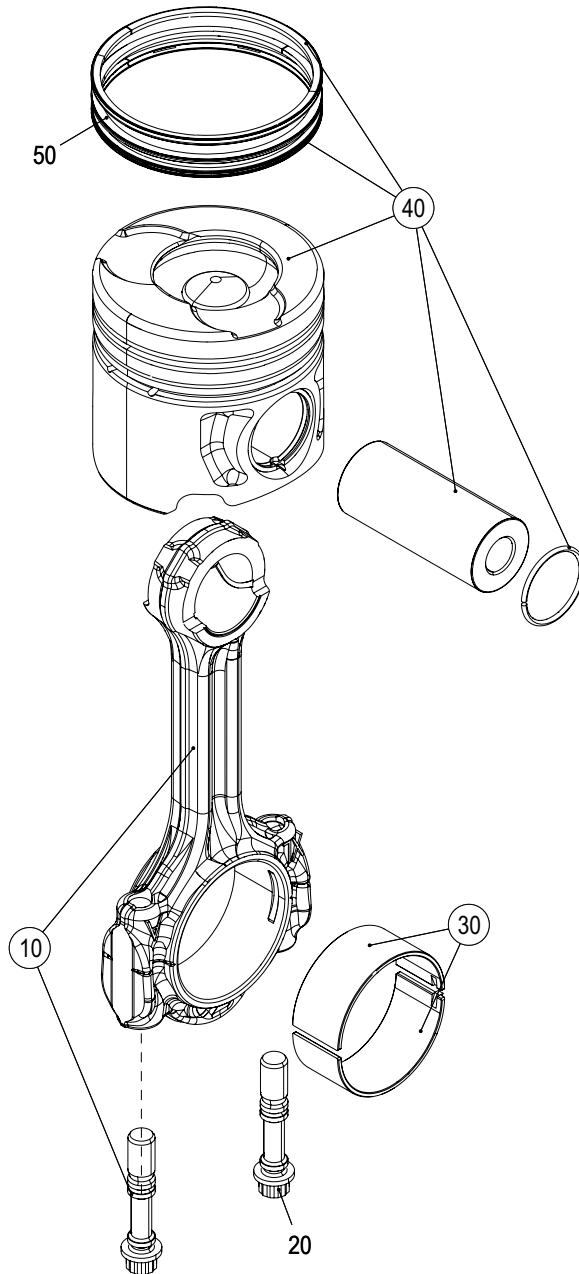


TA 0104

**SE186E38  
MARINE**

**PISTON, RINGS AND PIN, CONNECTION ROD**

01046284-2





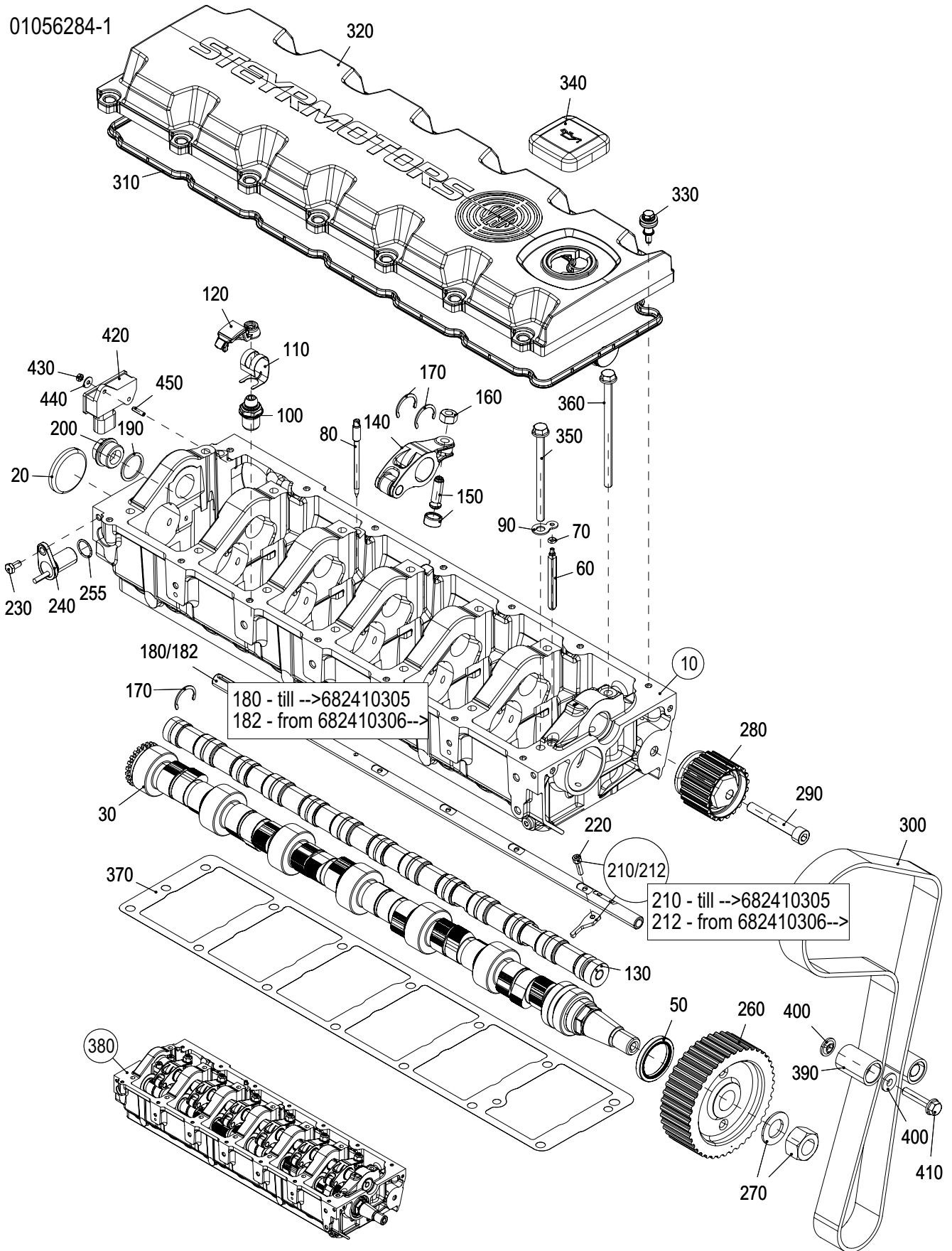


TA 0105

## SE186E38 MARINE

### CAMSHAFT HOUSING

01056284-1



**CAMSHAFT HOUSING**
**SE186E38  
MARINE**

01056284-1

Pos.	Part.-No.	Qty	Designation	Step
10	500900	1	CAMSHAFT HOUSING ASSY. (RAL9006)	.1
20	2178083-0	1	CORE HOLE PLUG 50-7	..2
30	2178084-3	1	CAMSHAFT ASSY.	.1
50	2172086-1	1	ROTARY SHAFT SEAL	.1
60	2178486-2	1	AXLE SUPPORT	.1
70	2179278-0	1	O-RING 4.3x2.4-FPM80/610-ISO3601-1A	.1
80	2177513-2	1	GUIDE PIN CONTROL RACK	.1
90	2179251-0	1	LOCKING DEVICE, AXLE SUPPORT	.1
100	2174546-2	12	VALVE TAPPET ADJ. SCREW ASSY.	.1
110	2174552-0	12	RETAINING SPRING	.1
120	2177139-1	12	CAM FOLLOWER ASSY.	.1
130	2180860-0	1	ECCENTRIC SHAFT ASSY.	.1
140	Z002094-0	6	ROCKER ARM ASSY. W. SETSCREW	.1
150	Z002010-0	6	TAPPET ADJUSTER ASSY.	.1
160	3871310-0	6	HEX.NUT DIN 934-M10x1-10-G	.1
170	2178796-0	14	CIRCLIP 26x1.2	.1
180	500897	1	CONTROL RACK INCL. CONTROL LINK (SPA.P.)	.1
182	707334	1	CONTROL RACK	.1
190	3098031-0	1	SEALING RING DIN 7603-A26x31x1.5-CU	.1
200	3962043-0	1	PLUG DIN7604-C-M26x1.5-ST-ZnNi8/Cn/T2	.1
210	Z002009-0	6	CONTROL LINK & BOLT	.1
212	500898	6	CONTROL LINK & BOLT	.1
220	3860140-0	1	HEX.SOCK. SCR. ISO 4762-M5x20-LH-10.9-BR	.1
230	3800238-0	1	HEX.HD.SCR. ISO 4017-M6x12-A4-70	.1
240	500790	1	SPEED SENSOR, SPARE PART	.1
255	900579	1	O-RING 15x1.5-FVMQ70-ISO3601-1A	..2
260	2177642-0	1	TIMING BELT PULLEY CAMSHAFT	.1
270	Z002011-0	1	NUT & WASHER, CAMSHAFT PULLEY	.1
280	500945	1	IDLER PULLEY ASSY.	.1
290	3860155-0	1	SCR. ISO 4762-M10x70-10.9-FLZNNC-720H-L	.1
300	2179985-0	1	TIMING BELT	.1



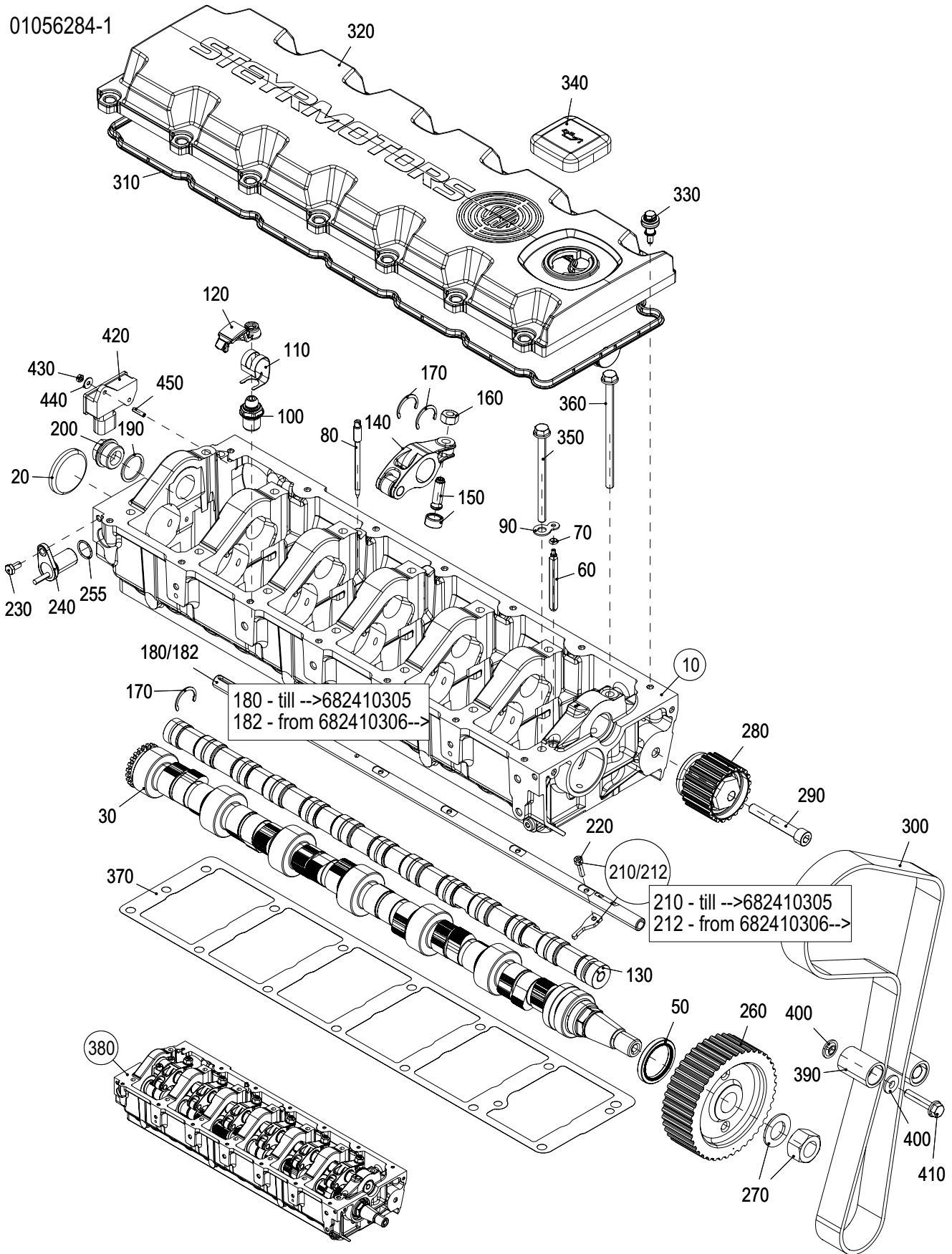


TA 0105

## SE186E38 MARINE

### CAMSHAFT HOUSING

01056284-1





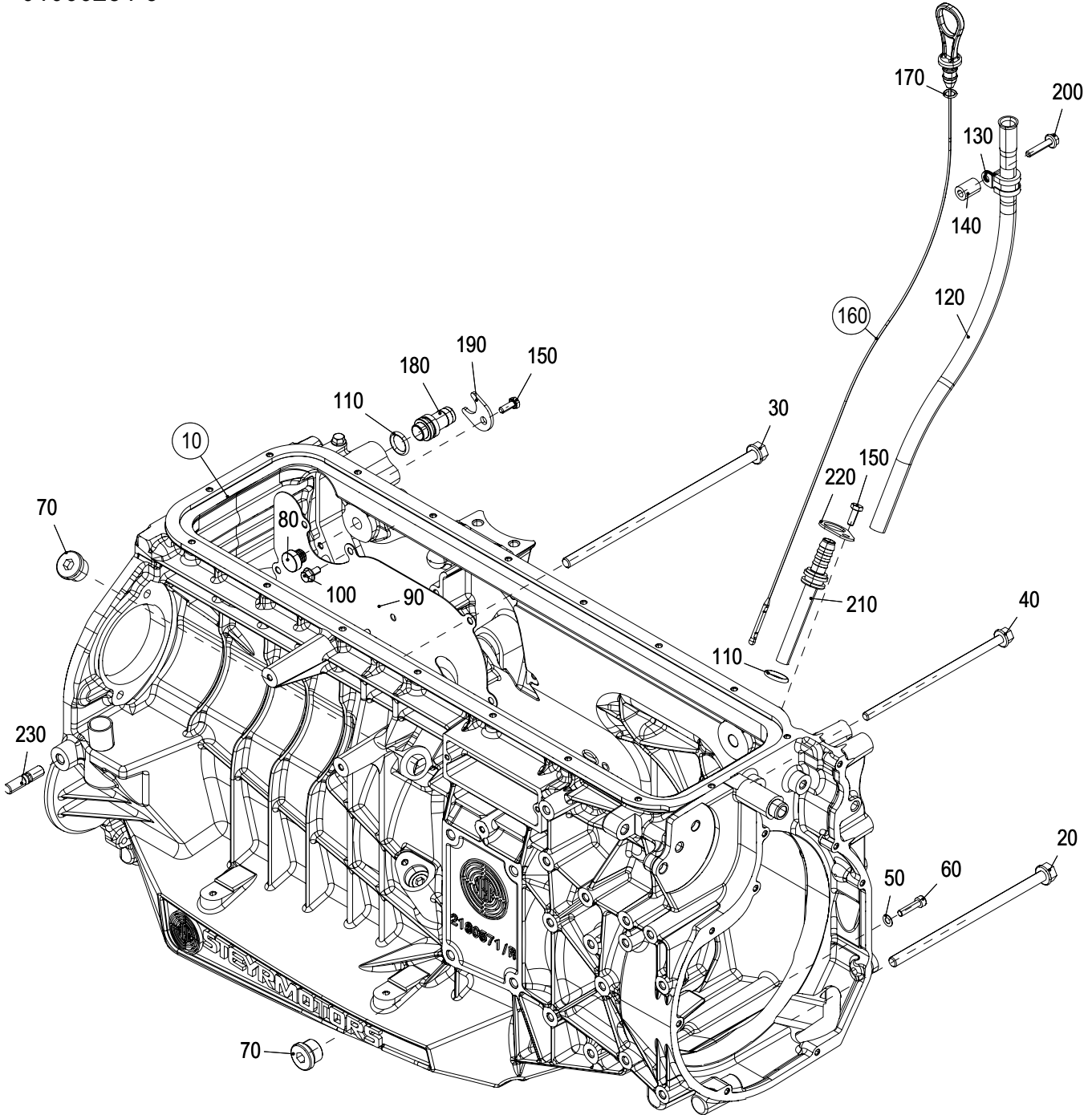


TA 0106

**SE186E38**  
**MARINE**

## OILPAN, OIL DIPSTICK

01066284-3



<p><b>OILPAN, OIL DIPSTICK</b></p>	<p><b>SE186E38</b> <b>MARINE</b></p>
------------------------------------	--

01066284-3

Pos.	Part.-No.	Qty	Designation	Step
10	Z026103-0	1	ENGINE HOUSING ASSY.	.1
20	9000464-0	2	HEX.BOLT EN1665-M10x200-8.8-FLZNNC-720-L	.2
30	9000463-0	2	BOLT EN1665-M10x250-8.8-FLZNNC-720H-L	.2
40	9000465-0	3	HEX.BOLT EN1665-M8x180-8.8-FLZNNC-720H-L	.2
50	3932008-0	12	SP. WASHER DIN 137-B6-FST-FLZNNC-480H	.2
60	3862327-0	12	SCR. ISO 4762-M6x25-8.8-FLZNNC-720H-L	.2
70	9000590-0	2	SCR.PLUG WITH RUBBER SEAL M22x1.5	.2
80	2174072-0	4	RUBBER PAD	.2
90	2180815-0	1	COVER PRE OIL SEPARATOR	.2
100	9000287-0	9	BOLT EN1665-M6x12-8.8-FLZNNC-720H-L	.2
110	2178310-1	2	O-RING 17x3.53-FPM70-ISO3601-1A	.1
120	2180818-0	1	TUBE OIL-DIPSTICK	.1
130	2178566-0	1	PIPE CLAMP RSGU1.15/15-W5	.1
140	2180895-0	1	DISTANCE SLEEVE	.1
150	3800233-0	2	HEX.HD.SCR. ISO 4017-M6x16-A4-70	.1
160	708241	1	OIL DIP STICK ASSY.	.1
170	2203689-0	2	O-RING 9.0x2.0	.2
180	2179544-0	1	FITTING DM16	.1
190	2179543-0	1	CLAMPING PLATE	.1
200	9000537-0	1	HEX.FLANGE BOLT EN 1665-M6x30-A2-70	.1
210	2180817-0	1	NOOZLE OIL DIP STICK	.1
220	2201476-0	1	MOUNTING PLATE	.1
230	9000478-0	1	STUD DIN 835-M10x25-A2-70	.1



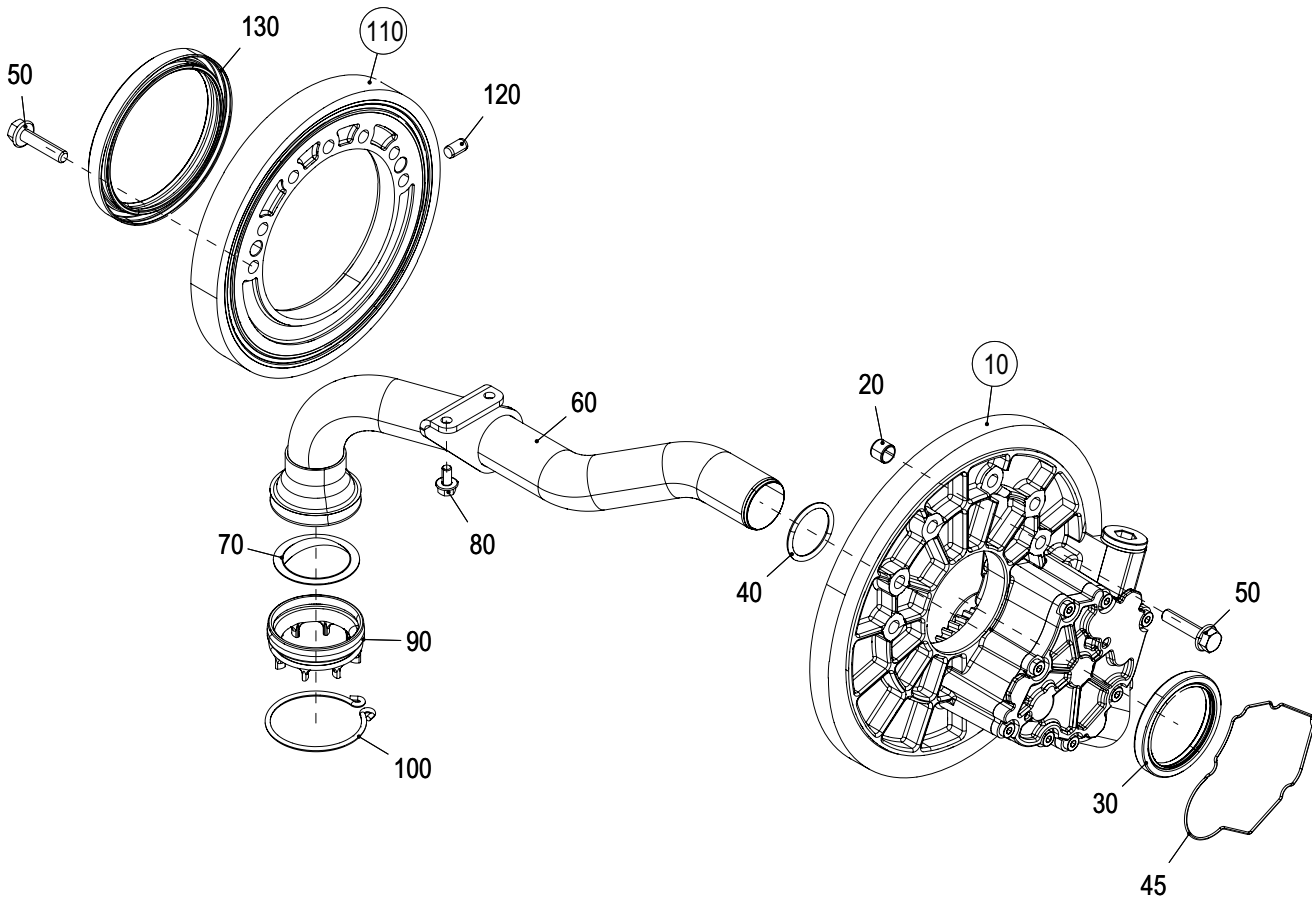


TA 0106

**SE186E38  
MARINE**

**OIL PUMP, SUPPORT RING**

01066284-A





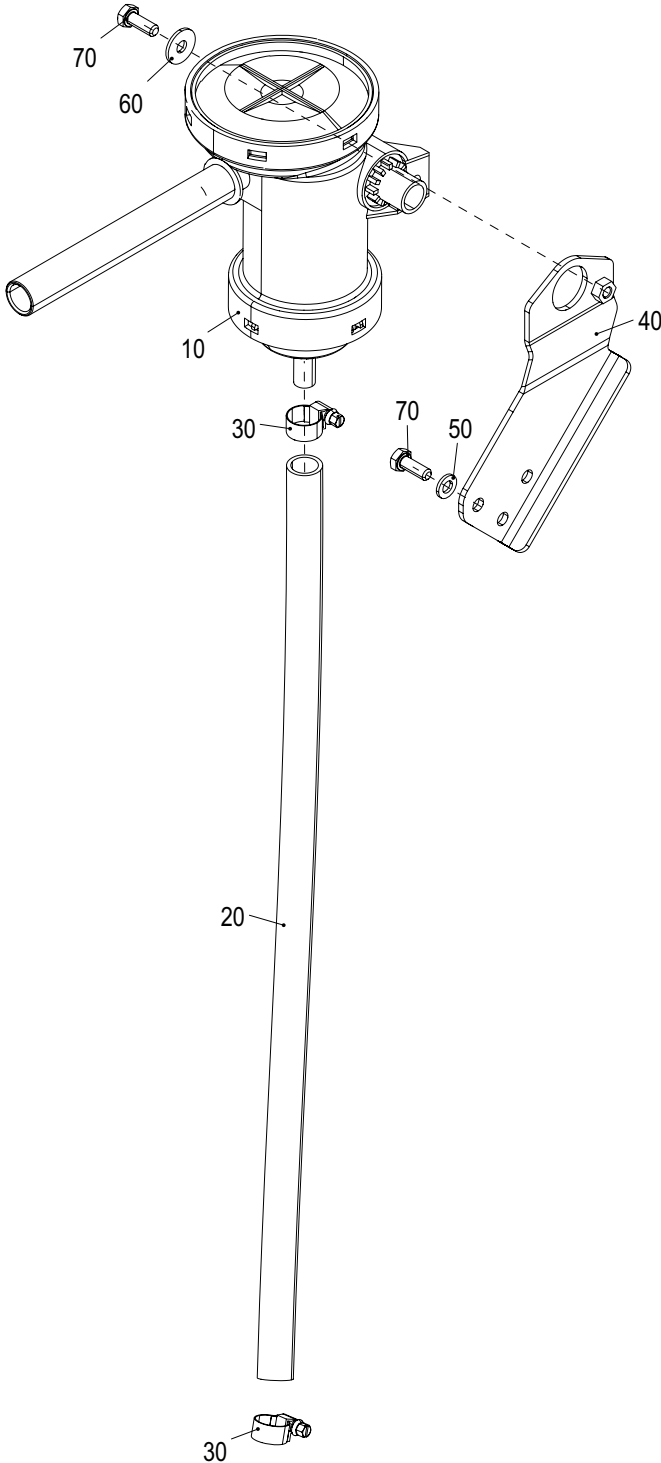


TA 0106

**SE186E38  
MARINE**

**OIL SEPARATOR, BLOWBY LINES**

01066284-J



OIL SEPARATOR, BLOWBY LINES	<b>SE186E38</b> <b>MARINE</b>
-----------------------------	----------------------------------

01066284-J

Pos.	Part.-No.	Qty	Designation	Step
10	Z002051-1	1	OIL SEPARATOR WITH PIPE	.1
20	707514	1	HOSE, OIL DRAIN L=460	.1
30	2174405-0	4	HOSE CLAMP 10-16/7.5	.1
40	2181066-0	1	BRACKET, OIL SEPARATOR	.1
50	3930070-0	3	WASHER ISO 7089-6-A4-200HV	.1
60	9000012-0	1	WASHER ISO 7093-6.4-140HV-A2	.1
70	3800233-0	4	HEX.HD.SCR. ISO 4017-M6x16-A4-70	.1



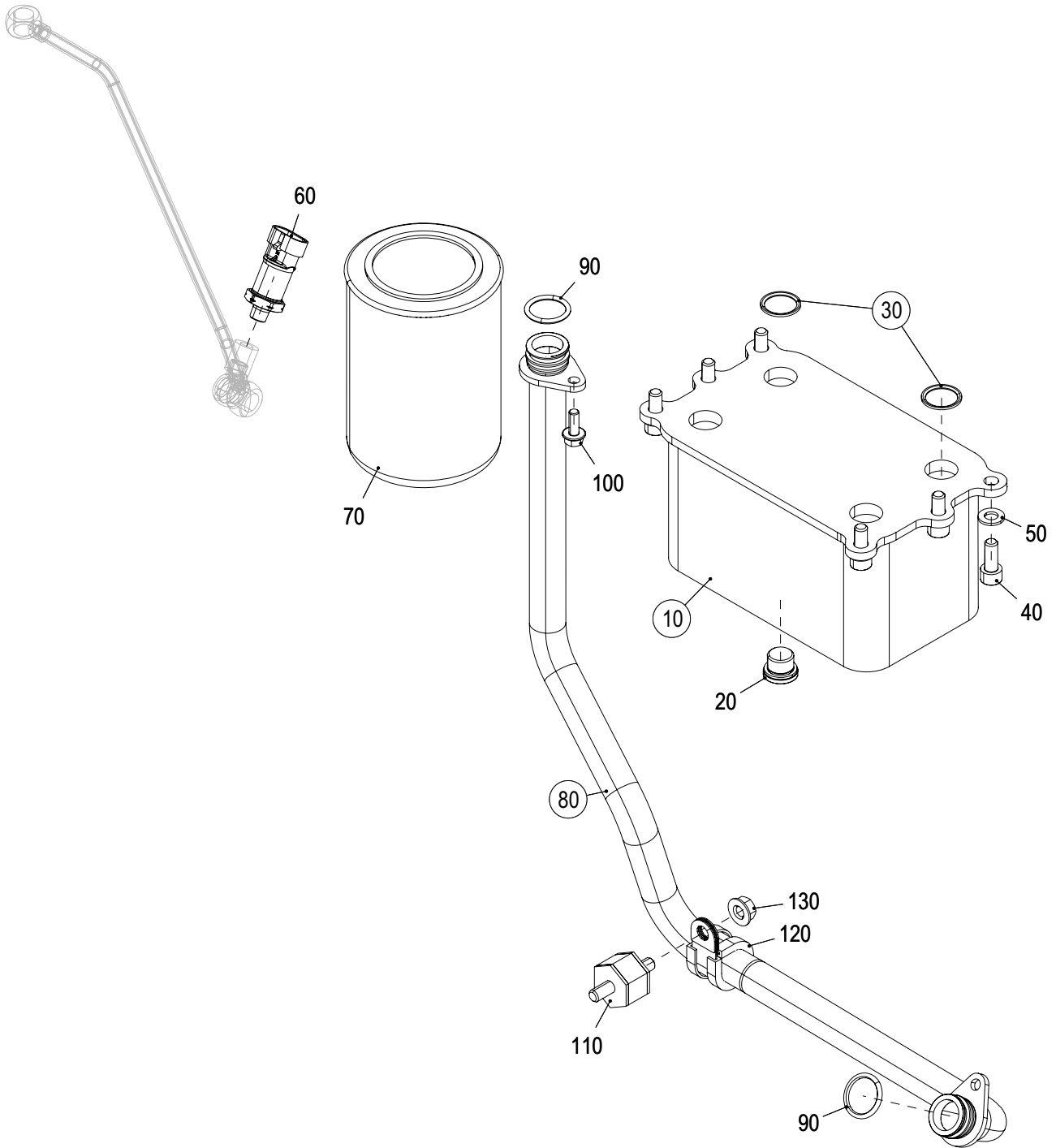


TA 0106

**SE186E38  
MARINE**

**OIL COOLER, OIL FILTER, OIL LINES**

01066284-R



OIL COOLER, OIL FILTER, OIL LINES

**SE186E38**  
**MARINE**

01066284-R

Pos.	Part.-No.	Qty	Designation	Step
10	Z026111-0	1	OILCOOLER (RAL9006)	.1
20	9000588-0	1	SCR.PLUG WITH RUBBER SEAL M16x1.5	.2
30	Z026113-0	1	SEAL KIT, OIL COOLER	.1
40	9000063-0	6	HEX.SOCK. SCR. ISO 4762-M8x20-A4-70	.1
50	3930103-0	6	WASHER ISO 7089-8-A4-200HV	.1
60	2180804-0	1	PRESSURE SENSOR	.1
70	2179817-0	1	SPIN-ON OIL FILTER	.1
80	Z026112-0	1	OIL PIPE ASSY. (RAL9006)	.1
90	2177249-0	2	O-RING 22x3-FPM80-ISO3601-1A	.2
100	9000273-0	2	BOLT EN1665-M6x16-8.8-FLZNNC-720H-L	.1
110	2177619-1	1	SILENT BLOCK M8	.1
120	2201127-0	1	PIPE CLAMP RSGU1.22-20	.1
130	9000056-1	1	HEX.FLANGE NUT EN1661-M8-8-FLZNNC-720H-L	.1



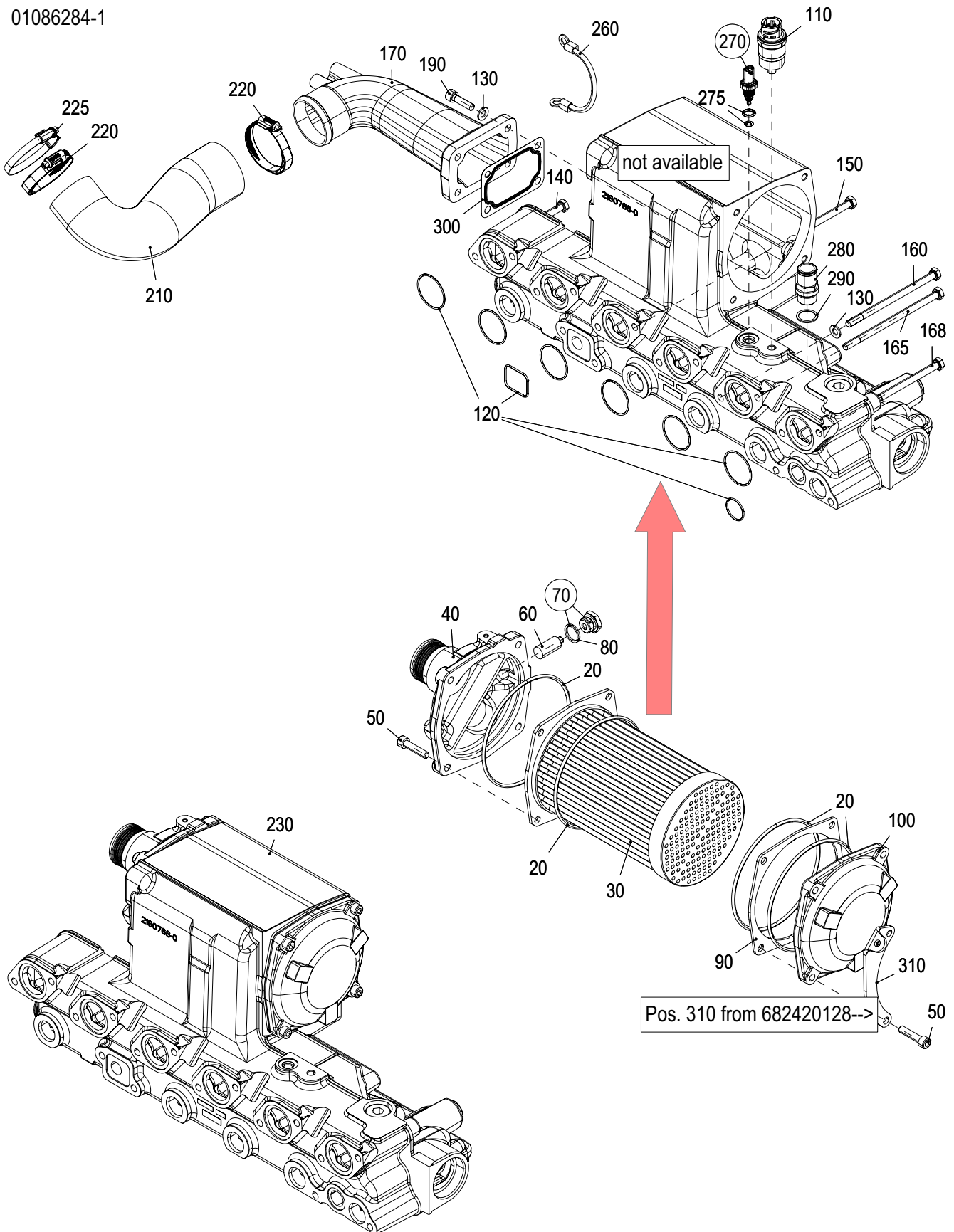


TA 0108

## SE186E38 MARINE

### INTERCOOLER

01086284-1



## INTERCOOLER

**SE186E38**  
**MARINE**

01086284-1

Pos.	Part.-No.	Qty	Designation	Step
20	2180010-0	4	O-RING 135x4	.1
30	2180877-0	1	INTERCOOLER	.1
40	Z026106-0	1	COVER INTERCOOLER REAR (RAL9006)	.1
50	9000064-0	8	HEX.SCR.ISO 4762-M8x35-8.8-FLZNNC-720H-L	.1
60	2178413-1	1	ZINC ANODE	.1
70	Z002017-0	1	PLUG & SEAL FOR ZINC-ANODE	.1
80	900631	1	SEALING RING DIN 7603-A18x24-CU	..2
90	2180012-0	1	SPACER, INTERCOOLER	.1
100	Z026107-0	1	COVER INTERCOOLER FRONT (RAL9006)	.1
110	2180803-0	1	PRESSURE SENSOR 1-8 27 NPT	.1
120	Z026108-0	1	SEAL KIT, INTAKE MANIFOLD	.1
130	3930103-0	16	WASHER ISO 7089-8-A4-200HV	.1
140	3800471-0	3	BOLT ISO 4014-M8x90-8.8-FLZNNC-720H-L	.1
150	9000295-0	7	HE.BO.ISO4014-M8x220-8.8-A-FLZNNC-720H-L	.1
160	9000288-0	4	HE.BO.ISO4014-M8x140-8.8-A-FLZNNC-720H-L	.1
165	3800493-0	1	H.BOLT ISO 4014-M8x150-8.8-FLZNNC-720H-L	.1
168	9000329-0	1	HEX.HD.BOLT ISO 4014-M8x115-A4-70	.1
170	Z026109-0	1	PRESSURE PIPE (RAL9006)	.1
190	3862433-0	4	HEX.SOCK. SCR. ISO 4762-M8x30-A4-70	.1
210	2181067-0	1	CHARGE AIR HOSE	.1
220	2181189-0	2	HOSE CLAMP WITH SPRING 50-70-12	.1
225	2179022-0	1	HOSE CLAMP WITH SPRING 50-70/9	.1
230	Z026104-0	1	INTERCOOLER ASSY. (RAL9006)	.1
260	2178968-0	1	GROUND WIRE	.1
270	2180962-0	1	CHARGE AIR TEMP. SENSOR INCL. O-RINGS	.1
275	500850	1	SEAL KIT, TEMPERATUR SENSOR	..2
280	9000648-4	1	SCREW-IN SOCKET M22x1.5-22	.1
290	9000815-0	1	PROFILED GASKET DIN 3869-22-FPM	.1
300	2201914-0	1	GASKET CHARGE AIR COOLER	.1
310	707660	1	SUPPORT EXPANSION TANK	.1



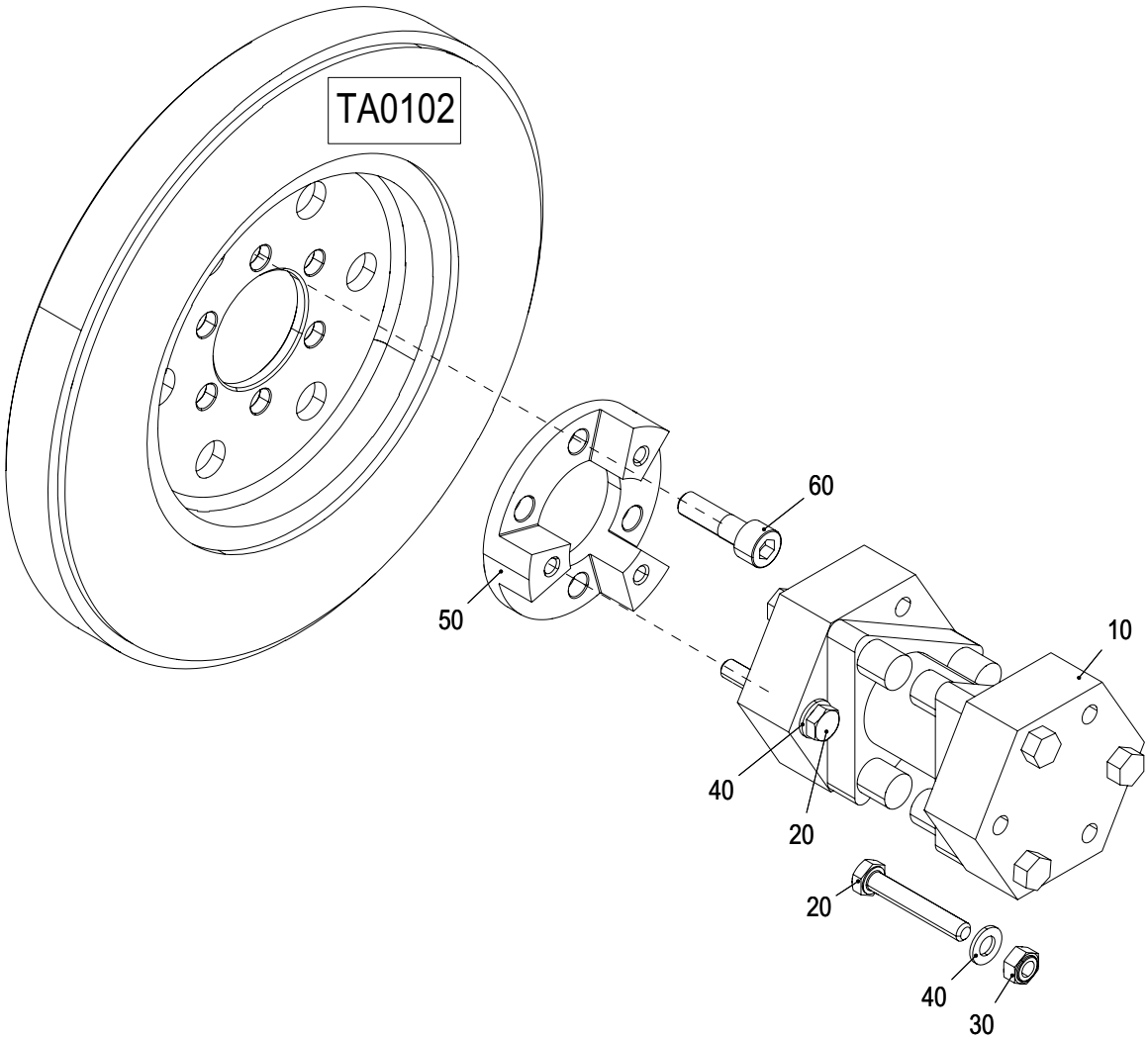


TA 0109

**SE186E38  
MARINE**

**POWER TAKE OFF FRONT**

01096184-0





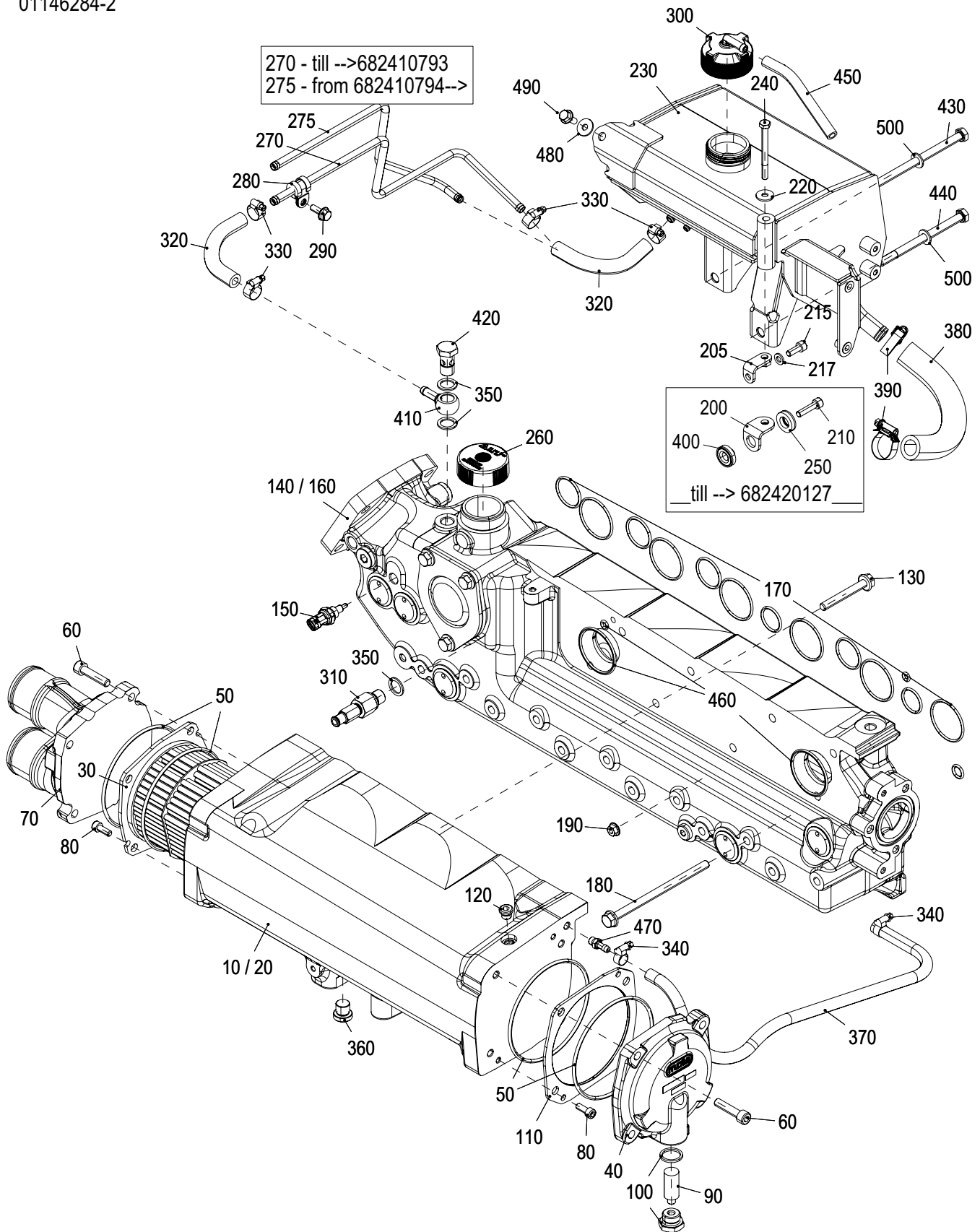


TA 0114

## SE186E38 MARINE

### EXHAUST, HEAT EXCHANGER, GASKETS

01146284-2



## EXHAUST, HEAT EXCHANGER, GASKETS

**SE186E38**  
**MARINE**

01146284-2

Pos.	Part.-No.	Qty	Designation	Step
10	Z026115-0	1	HEAT EXCHANGER ASSY. (RAL9006)	.1
20	500091	1	HEAT EXCHANGER HOUSING (RAL9006)	.2
30	700974	1	HEAT EXCHANGER	.2
40	500092	1	COVER HEAT EXCHANGER (RAL9006)	.2
50	900090	4	O-RING 107.55x3.53-FPM70-ISO3601-1A	.2
60	9000064-0	8	HEX.SCR.ISO 4762-M8x35-8.8-FLZNNC-720H-L	.2
70	500093	1	COVER HEAT EXCHANGER (RAL9006)	.2
80	3862316-0	4	SCR. ISO 4762-M6x16-8.8-FLZNNC-720H-L	.2
90	2178413-1	1	ZINC ANODE	.2
100	Z002017-0	1	PLUG & SEAL FOR ZINC-ANODE	.2
110	700975	1	SPACER	.2
120	9000585-0	1	HEX.SOCK.SCR.PLUG WITH RUBBER SEAL M10x1	.2
130	9000304-0	8	BOLT EN1665-M8x60-8.8-FLZNNC-720H-L	.1
140	Z026114-0	1	EXHAUST MANIFOLD ASSY. (RAL9006)	.1
150	2180773-0	1	TEMPERATURE SENSOR W. SEAL RING	.1
160	Z026118-0	1	EXHAUST MANIFOLD COMPL. ASSY. (RAL9006)	.1
170	Z002652-0	1	SEAL KIT, EXH.MANIF.-BLOCK (O-RINGS)	.1
180	900590	12	HEX.BOL.EN1665-M8x135-10.9-FLZNNC-720H-L	.1
190	3880049-0	3	HEX.FLANGE NUT EN 1661-M6-A4-70	.1
200	2181222-0	1	BRACKET EXPANSION TANK	.1
205	2180918-0	1	FASTENING TAB, EXPANSION TANK	.1
210	9001088-0	1	HEX.SOCK. SCR. ISO 4762-M6x25-A2-70	.1
215	3862316-0	1	SCR. ISO 4762-M6x16-8.8-FLZNNC-720H-L	.1
217	3930251-0	1	WASHER ISO 7089-6-140HV-FLZNNC-480H	.1
220	9000012-0	1	WASHER ISO 7093-6.4-140HV-A2	.1
230	Z026156-0	1	EXPANSION TANK (RAL9006)	.1
240	9001104-0	1	HEX. BOLT ISO 4014-M6x70-A2-70	.1
250	2201540-0	3	WASHER, W. KNITTED WIRE MESH	.1
260	Z021020-0	1	SEALING CAP COOLER	.1
270	500912	1	PIPE WATER EXPANSION TANK	.1
275	501081	1	PIPE WATER EXPANSION TANK	.1



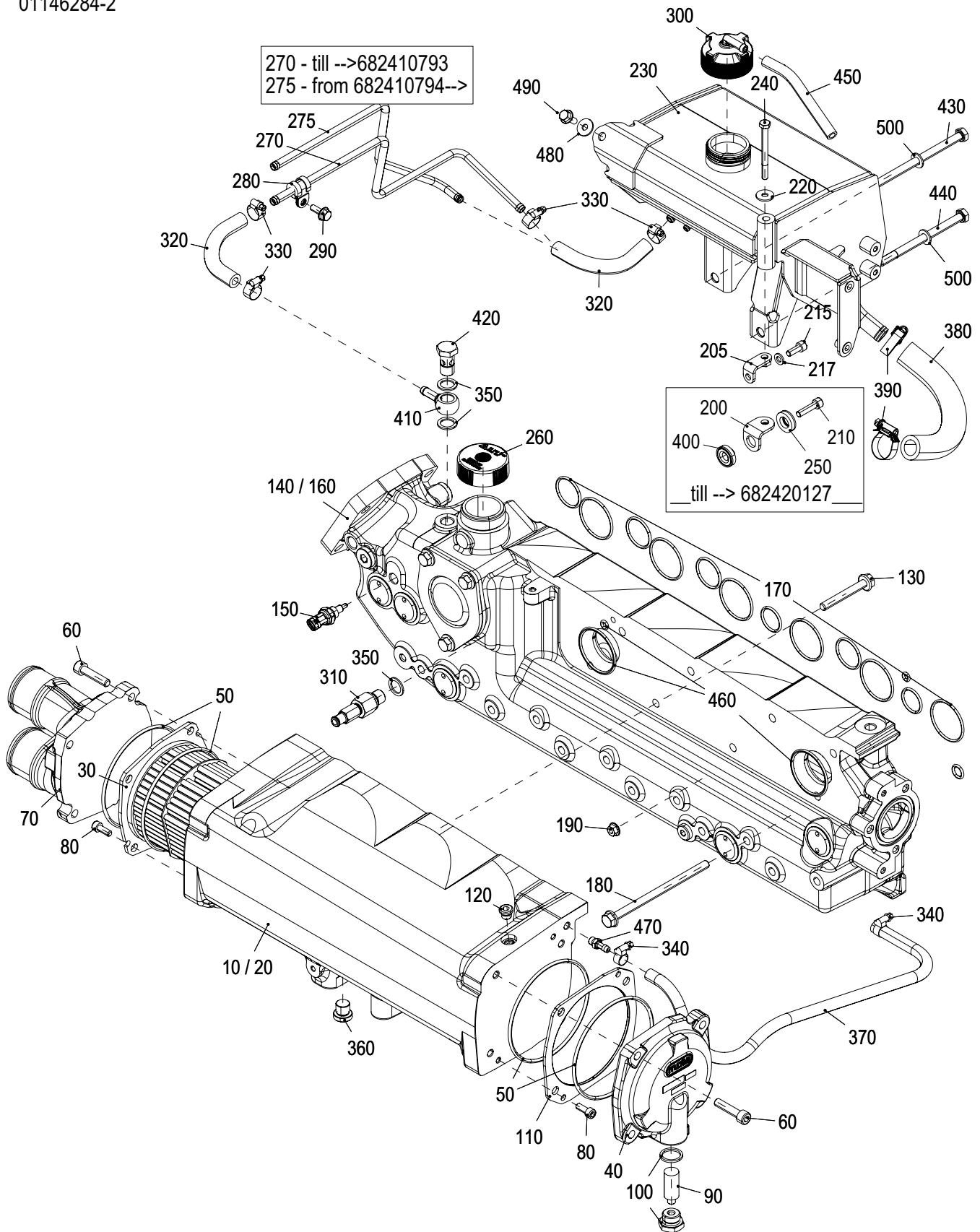


TA 0114

## SE186E38 MARINE

### EXHAUST, HEAT EXCHANGER, GASKETS

01146284-2



**EXHAUST, HEAT EXCHANGER, GASKETS**
**SE186E38  
MARINE**

01146284-2

Pos.	Part.-No.	Qty	Designation	Step
280	2205232-1	2	CLAMP RS1.8/15-W1	.1
290	9001001-0	2	HEX.FLANGE BOLT EN 1665-M6x16-A4-70	.1
300	2181153-0	1	RADIATOR CAP	.1
310	2180843-0	1	DRAIN COCK ASSY.	.1
320	500908	1	HOSE DN6, DMI=8 L=700±5	.1
330	2174405-0	4	HOSE CLAMP 10-16/7.5	.1
340	2178893-0	2	HOSE CLAMP 8-12-7.5	.1
350	9001171-0	3	BOUNDED SEAL 14.7x21x1.5	.1
360	9000587-0	1	SCR.PLUG WITH RUBBER SEAL M14x1.5	.1
370	500906	1	HOSE DN4, DMI=6 L=700±5	.1
380	2178942-0	1	HOSE	.1
390	2177753-0	2	HOSE CLAMP 16-25/9	.1
400	2201541-0	3	SLEEVE, W. KNITTED WIRE MESH	.1
410	2174383-0	1	BANJO DN6 DIN7642	.1
420	9000053-0	1	HO.SCR.M14x1.5-DIN7643-10-ZnNi8/An/T2	.1
430	3800493-0	1	H.BOLT ISO 4014-M8x150-8.8-FLZNNC-720H-L	.1
440	9000329-0	1	HEX.HD.BOLT ISO 4014-M8x115-A4-70	.1
450	2174682-0	1	HOSE, OVERFLOW	.1
460	500112	1	SEAL KIT, HEAT EXCHANGER - EXH. MANIFOLD	.1
470	2203376-0	1	HOSE NOZZLES WITH THREAD	.1
480	900221	1	WASHER ISO 7093-1-6-200HV-A4	.1
490	9000273-0	1	BOLT EN1665-M6x16-8.8-FLZNNC-720H-L	.1
500	3930103-0	2	WASHER ISO 7089-8-A4-200HV	.1



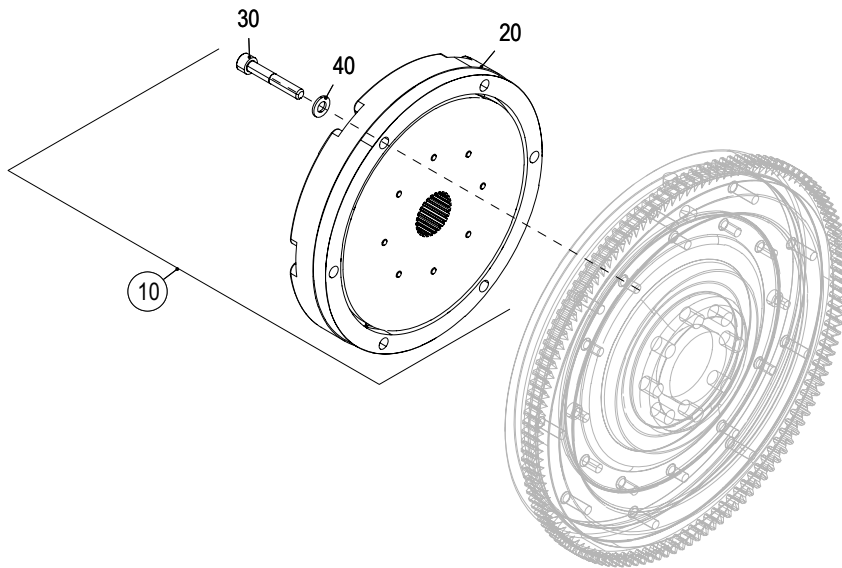


TA 0200

**SE186E38**  
**MARINE**

**TORSIONAL COUPLING**

02006284-0



TORSIONAL COUPLING	<b>SE186E38 MARINE</b>
--------------------	----------------------------

02006284-0

Pos.	Part.-No.	Qty	Designation	Step
10	Z002066-6	1	COUPLING KIT 20/40-26T F.GEAR & SCREWS	.1
20	2179164-0	1	COUPLER 20-40 26T	.2
30	9000467-0	6	HEX.SOCK. SCR. ISO 4762-M8x45-10.9-DAC	.2
40	3930103-0	6	WASHER ISO 7089-8-A4-200HV	.2



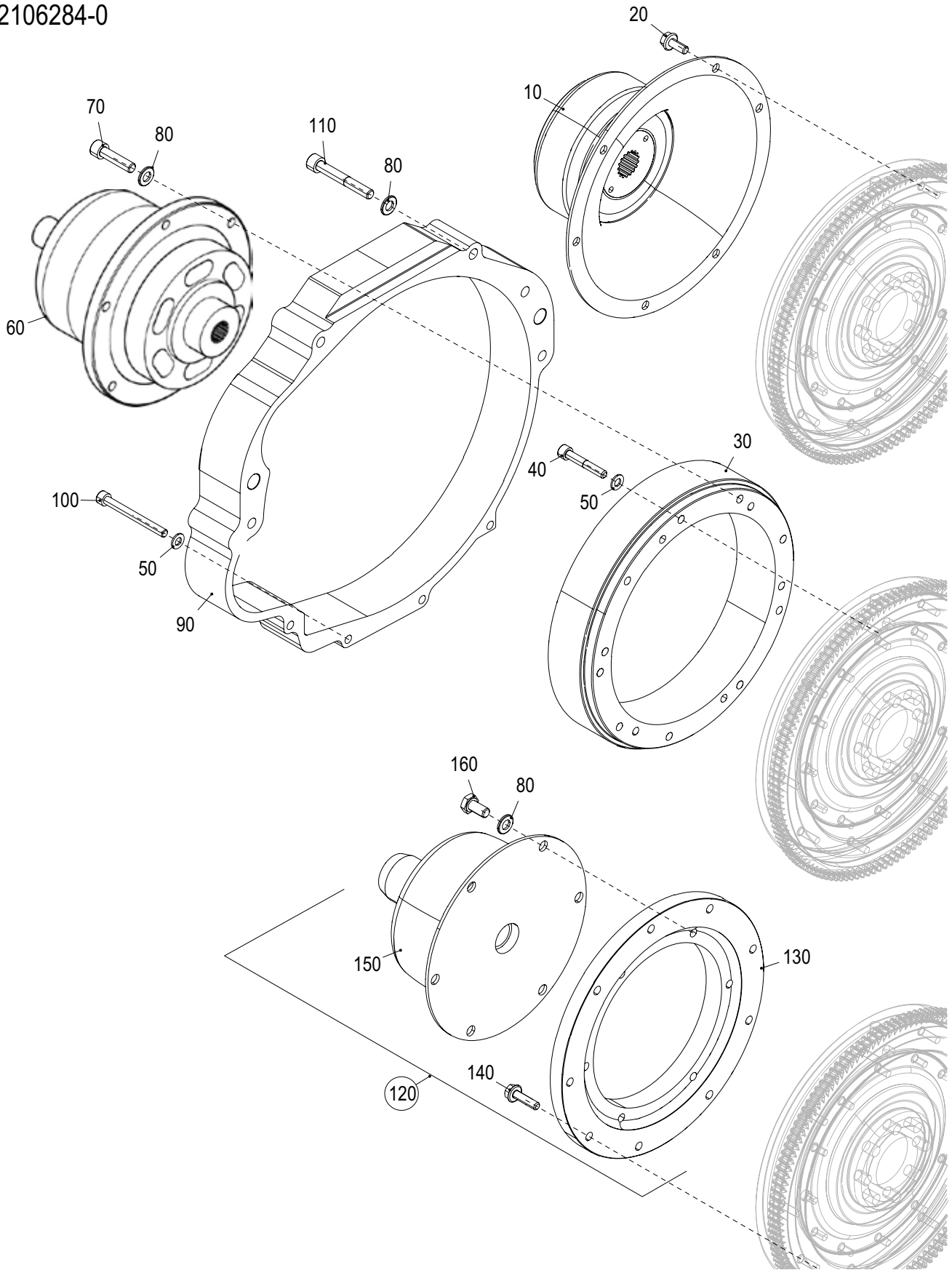


TA 0210

SE186E38  
MARINE

COUPLER

02106284-0





## COUPLER

SE186E38  
MARINE

02106284-0

Pos.	Part.-No.	Qty	Designation	Step
10	Z021002-0	1	S.P. COUPLER	.1
20	9000305-0	6	BOLT EN1665-M8x20-10.9-FLZNNC-720H-L	.1
30	2179073-0	1	ADAPTER FLY-WHEEL MERCURY DUAL STAGE	.1
40	3862452-0	9	HEX.SCR.ISO 4762-M8x50-8.8-FLZNNC-720H-L	.1
50	3930103-0	13	WASHER ISO 7089-8-A4-200HV	.1
60	2178860-S	1	COUPLER MERCURY-BRAVO DUAL STAGE	.1
70	3860149-0	6	HEX.SCR.ISO4762-M10x40-8.8-FLZNNC-720H-L	.1
80	3930075-0	17	WASHER ISO 7089-10-A4-200HV	.1
90	2179072-9	1	INTERMEDIATE FLANGE (RAL9006)	.1
100	3862478-0	4	HEX.SOCK. SCR. ISO 4762-M8x80-8.8-A2C	.1
110	3862680-0	5	HEX.SCR.ISO4762-M10x90-8.8-FLZNNC-720H-L	.1
120	Z002066-4	1	COUPLING KIT MERCURY-BRAVO (COM.)	.1
130	2179078-0	1	ADAP. FLY-WHEEL MERCURY 6 CYL. (COM.)	..2
140	9000431-0	9	BOLT EN1665-M8x30-10.9-FLZNNC-720H-L	..2
150	2178860-M	1	COUPLER MERCURY	..2
160	3802515-0	6	HEX.SCR.ISO4017-M10x20-8.8-FLZNNC-720H-L	..2



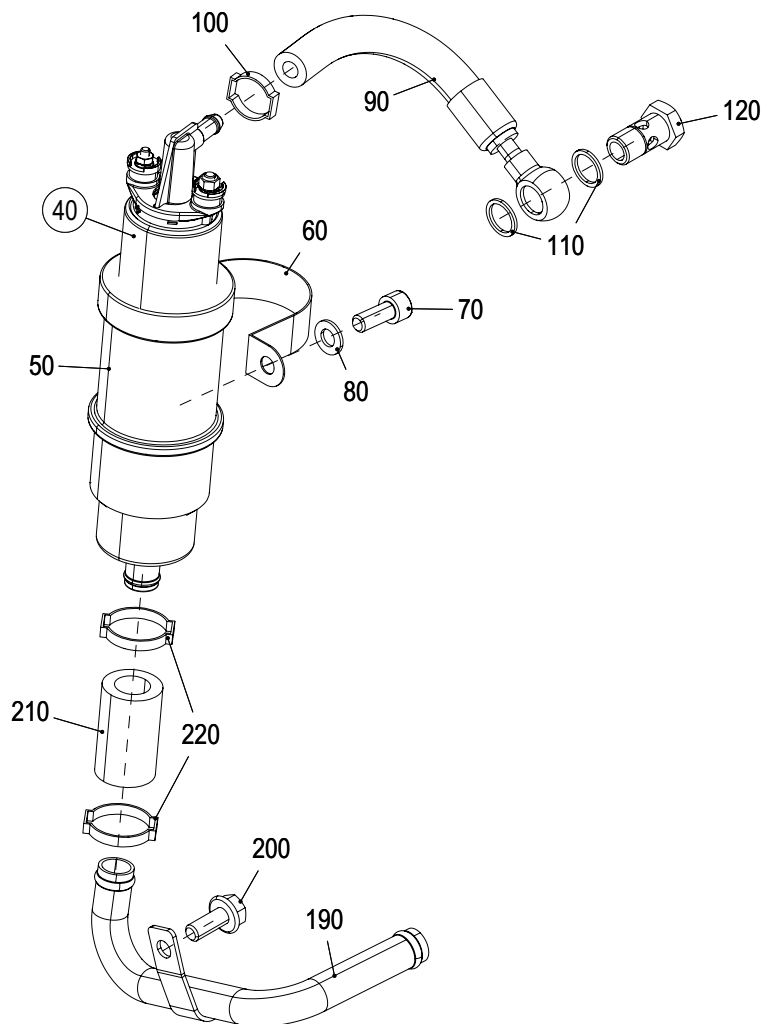
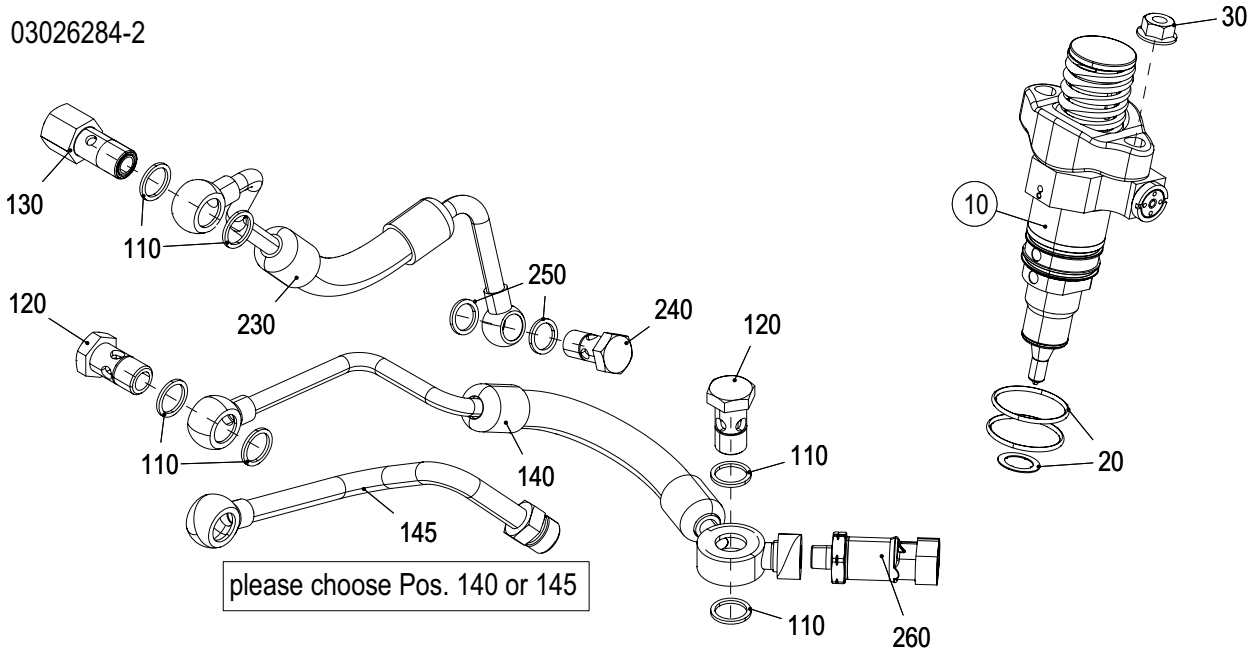


TA 0302

**SE186E38**  
**MARINE**

## FUEL PUMP, UNIT INJECTOR, FUEL LINES

03026284-2



FUEL PUMP, UNIT INJECTOR, FUEL LINES

**SE186E38**  
**MARINE**

03026284-2

Pos.	Part.-No.	Qty	Designation	Step
10	500881	6	UNIT INJECTOR + SEALINGS	.1
20	Z002031-0	1	SEAL KIT, UNIT INJECTOR	..2
30	9000050-0	12	HEX.FLANGE NUT DIN 6331-M8-10	.1
40	500637	1	FUEL PUMP 12V ASSY.	.1
50	2173396-I	1	ISOLATING SLEEVE FUEL PUMP	..2
60	9001071-0	1	CLAMP RS2.53/20-W5	.1
70	9000063-0	2	HEX.SOCK. SCR. ISO 4762-M8x20-A4-70	.1
80	3930103-0	2	WASHER ISO 7089-8-A4-200HV	.1
90	2180865-0	1	FUEL HOSE PUMP-FILTER	.1
100	2178995-0	1	HOSE CLAMP 17.5mm	.1
110	9001171-0	8	BOUNDED SEAL 14.7x21x1.5	.1
120	9000053-0	3	HO.SCR.M14x1.5-DIN7643-10-ZnNi8/An/T2	.1
130	800052	1	PRESSURE LIMIT VALVE	.1
140	2180891-0	1	FUEL HOSE ASSY.	.1
145	708320	1	PIPE FUEL INLET	.1
190	2180851-0	1	FUEL PIPE	.1
200	9000305-0	1	BOLT EN1665-M8x20-10.9-FLZNNC-720H-L	.1
210	500890	1	FUEL SUPPLY HOSE PUMP - FILTER	.1
220	2180670-0	2	HOSE CLAMP 27mm	.1
230	2180892-0	1	FUEL HOSE ASSY. BLOCK - COOLER	.1
240	11868	1	HO.SCR.M12x1.5-DIN7643-8-3-FLZNNC-720H-L	.1
250	9001170-0	2	BOUNDED SEAL 12.7x19x1.5	.1
260	2180804-0	1	PRESSURE SENSOR	.1



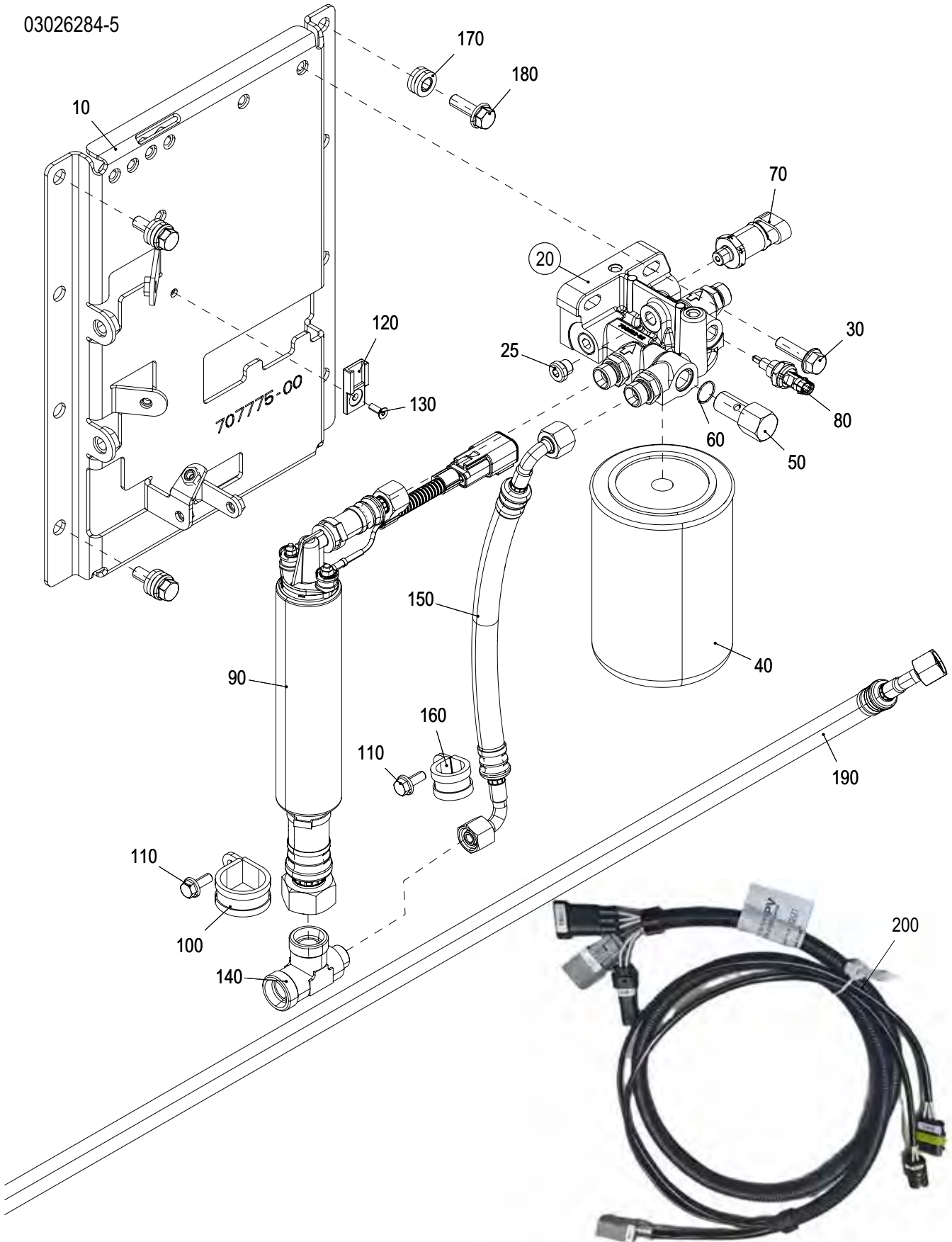


TA 0302

**SE186E38**  
**MARINE**

FUEL SYSTEM EXTERNAL FROM 06/2024

03026284-5



**FUEL SYSTEM EXTERNAL FROM 06/2024****SE186E38  
MARINE**

03026284-5

Pos.	Part.-No.	Qty	Designation	Step
10	707775	1	MOUNTING PLATE, FUEL SYSTEM EXT.	.1
20	501053	1	BRACKET FUEL-FILTER ASSY.	.1
25	9000585-0	1	HEX.SOCK.SCR.PLUG WITH RUBBER SEAL M10x1	.2
30	9000431-0	2	BOLT EN1665-M8x30-10.9-FLZNNC-720H-L	.1
40	2180831-0	1	FUEL SPIN-ON FILTER	.1
50	800053	1	PRESSURE LIMIT VALVE	.1
60	900576	1	O-RING 14x1-FKM80-ISO3601-1A	.1
70	2180804-0	1	PRESSURE SENSOR	.1
80	2180773-0	1	TEMPERATURE SENSOR W. SEAL RING	.1
90	803078	1	FUEL PUMP 12V ASSY.	.1
100	2202858-0	1	PIPE CLAMP RSGU1.30/20-W5	.1
110	3802321-0	2	HEX.SCR.ISO 4017-M6x16-8.8-FLZNNC-720H-L	.1
120	9000136-0	1	CLIP	.1
130	900019	1	SCR. DIN 7991-M4x12-8.8-FLZNNC-720H-L	.1
140	707790	1	RED. SCREW JOINT T-TYPE	.1
150	707779	1	FUEL SUPPLY HOSE FILTER - T-PART	.1
160	704848	1	PIPE CLAMP RSGU1.19/15-W5	.1
170	501141	1	SPARE PART KIT, INSULATING WASHERS	.1
180	900226	4	BOLT EN1665-M8x25-8.8-FLZNNC-720H-L	.1
190	707830	1	FUEL HOSE ASSY.	.1
200	707616	1	EXTENSION CABLE FUEL PUMP 1,5m	.1



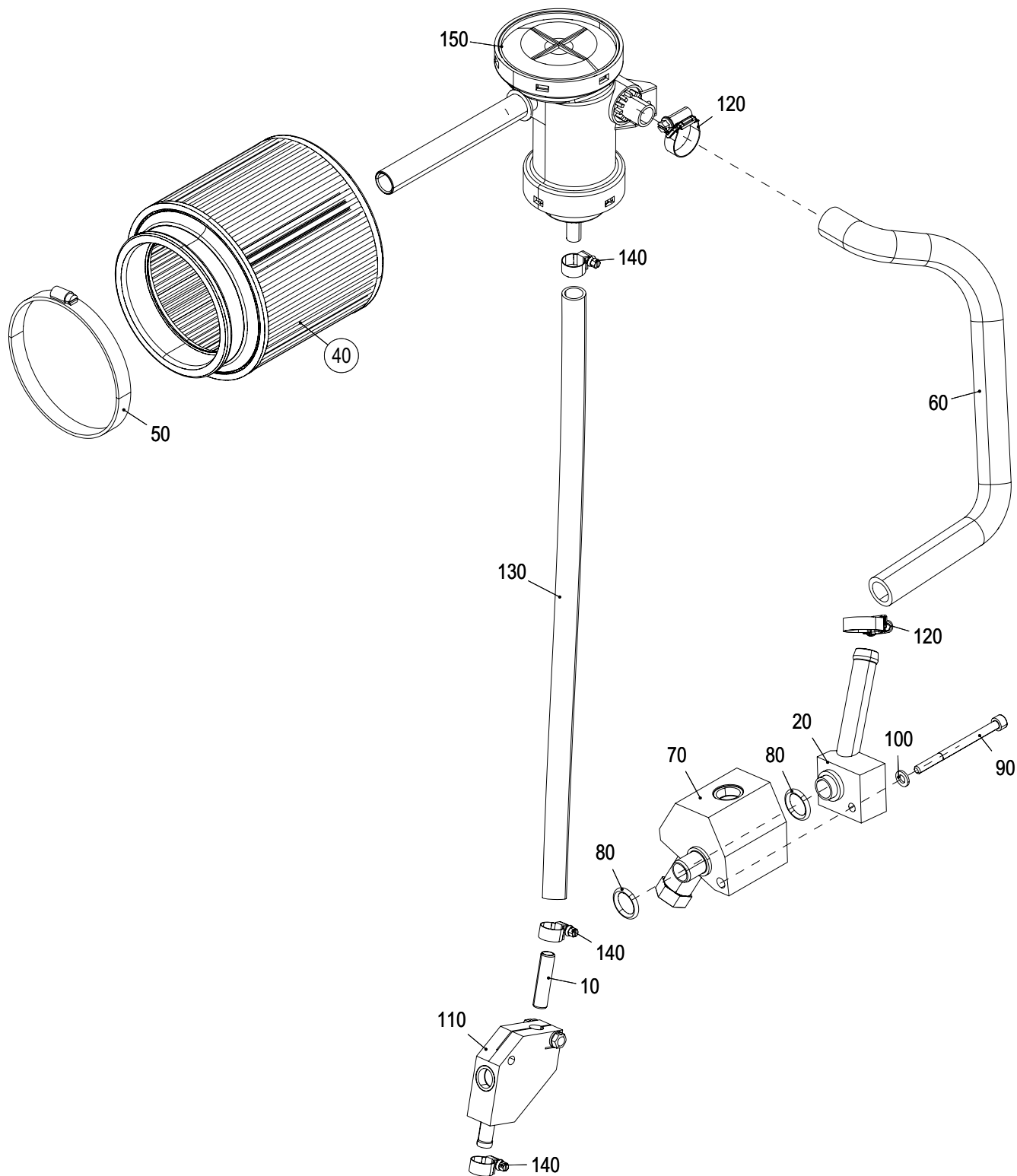


TA 0304

**SE186E38**  
**MARINE**

## AIRFILTER, INVERSIONVALVE SOLAS

03046284-1



## AIRFILTER, INVERSIONVALVE SOLAS

**SE186E38**  
**MARINE**

03046284-1

Pos.	Part.-No.	Qty	Designation	Step
10	2179550-0	1	PIPE	.1
20	500061	1	ADAPTER SOLAS (RAL9006)	.1
40	Z002100-4	1	AIR FILTER + HOSE CLAMP	.1
50	2178943-0	1	HOSE CLAMP 90-110/12-W4	..2
60	2181130-0	1	MOLDED HOSE OIL SEPERATOR	.1
70	2179069-9	1	BALL VALVE ASSY. (RAL9006)	.1
80	2178310-1	2	O-RING 17x3.53	.1
90	9000633-0	1	SCR. ISO 4762-M6x80-8.8-FLZNNC-720H-L	.1
100	3930251-0	1	WASHER ISO 7089-6-140HV-FLZNNC-480H	.1
110	2179070-9	1	BALL VALVE ASSY. (RAL9006)	.1
120	2177753-0	2	HOSE CLAMP 16-25/9	.1
130	707514	1	HOSE, OIL DRAIN L=460	.1
140	2174405-0	2	HOSE CLAMP 10-16/7.5	.1
150	Z002051-1	1	OIL SEPARATOR WITH PIPE	.1



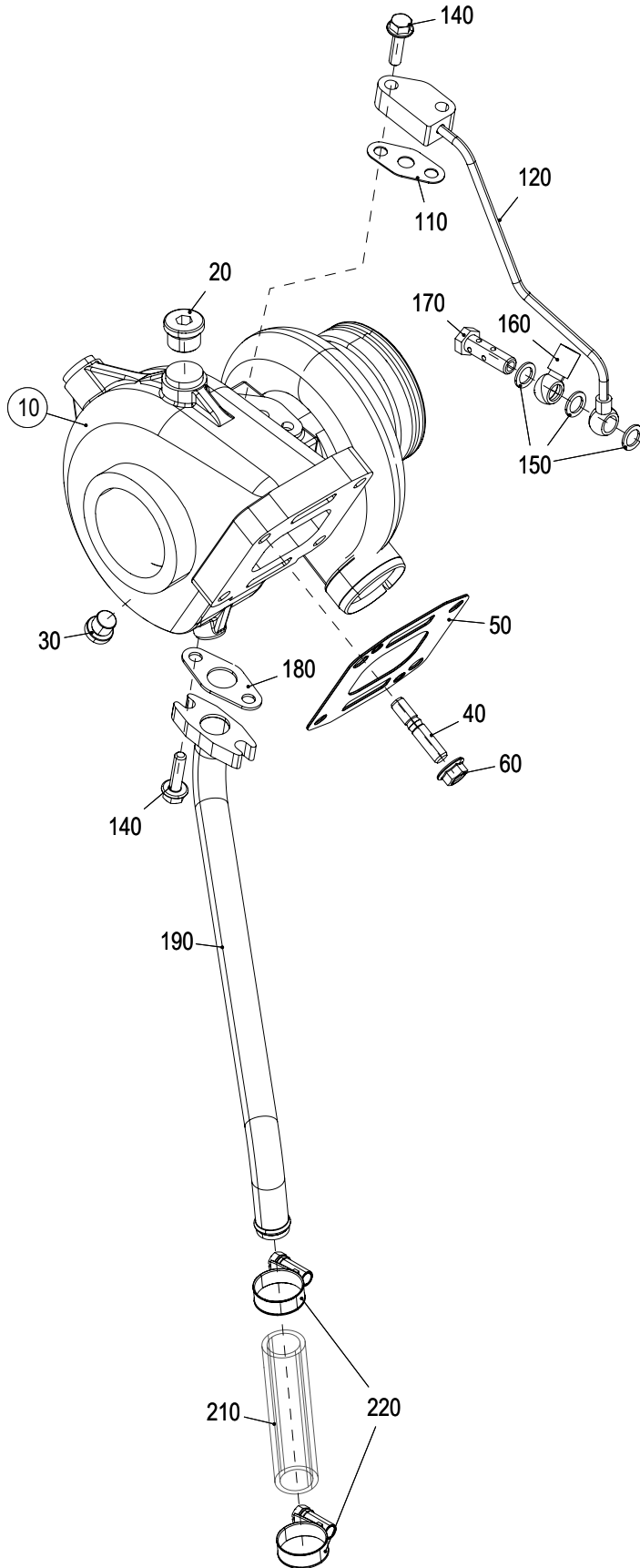


TA 0305

**SE186E38**  
**MARINE**

**TURBO**

03056284-1



<b>TURBO</b>	<b>SE186E38</b> <b>MARINE</b>
--------------	----------------------------------

03056284-1

Pos.	Part.-No.	Qty	Designation	Step
10	500142	1	TURBO ASSY. + BASE AIR FILTER (RAL9006)	.1
20	9000590-0	3	SCR.PLUG WITH RUBBER SEAL M22x1.5	.2
30	9000587-0	1	SCR.PLUG WITH RUBBER SEAL M14x1.5	.2
40	Z002022-0	4	STUD M10x30 DIN 939-8.8-FLZNNC-720H-L	.2
50	2178487-4	1	GASKET, TURBO CHARGER	.1
60	9000042-1	4	HEX. NUT DIN 6923-M10-8-FLZNNC-720H-L	.1
110	2170259-0	1	GASKET PIPE TURBO OIL SUPPLY	.1
120	2181136-0	1	OIL SUPPLY PIPE TURBO ASSY.	.1
140	9000431-0	4	BOLT EN1665-M8x30-10.9-FLZNNC-720H-L	.1
150	9001170-0	3	BOUNDED SEAL 12.7x19x1.5	.1
160	2203772-0	1	BRACKET OIL PRESSURE SENSOR	.1
170	2203591-0	1	DOUBLE HOLLOW SCREW M12x1.5 DIN 7643-8	.1
180	2170460-0	1	GASKET TURBO OIL RETURN	.1
190	500633	1	OIL RETURN PIPE, TURBO ASSY (SPARE PART)	.1
210	2178298-1	1	HOSE, OIL RETURN	.1
220	2177464-0	2	CLAMP 20-32/12	.1



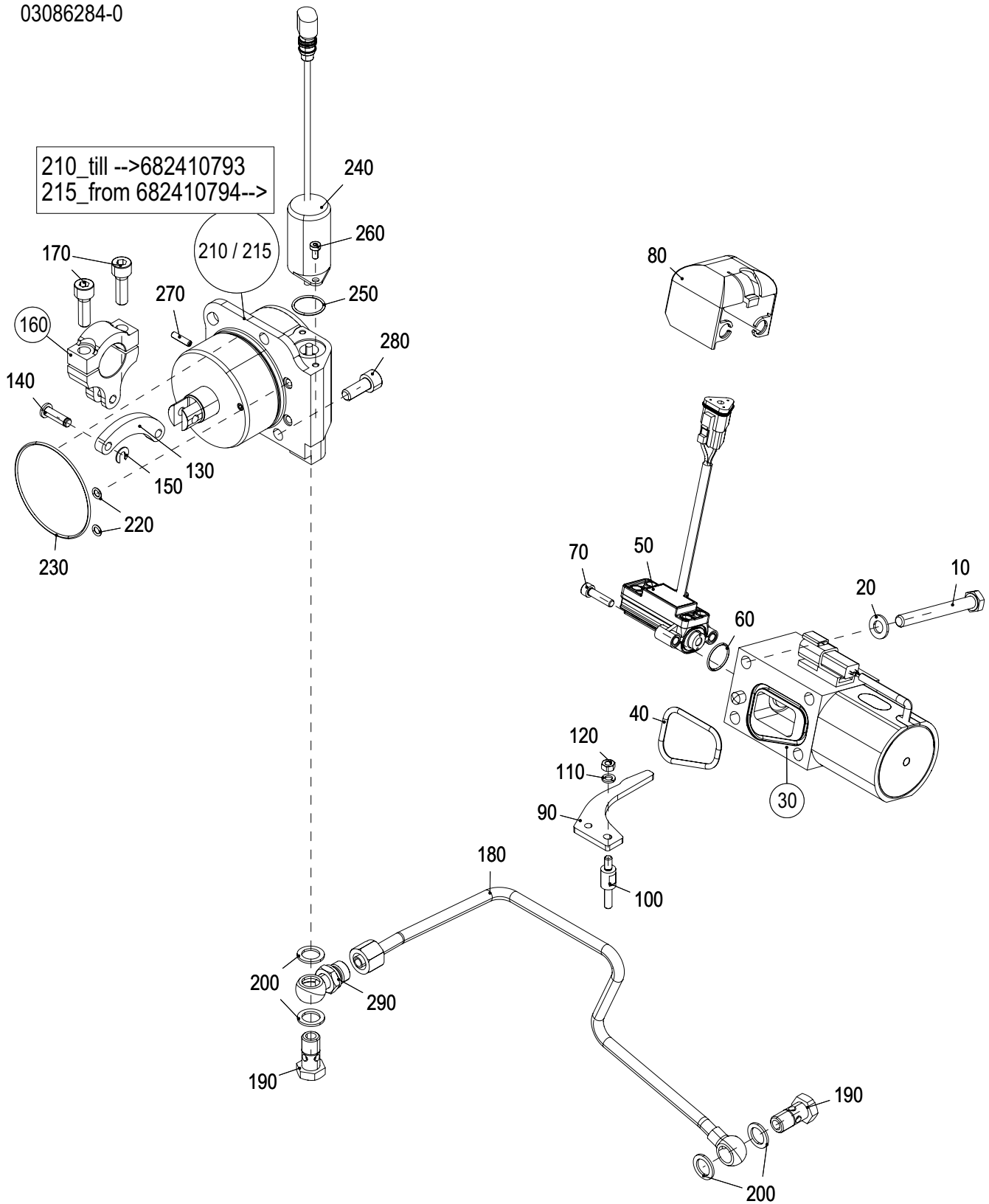


TA 0308

**SE186E38**  
**MARINE**

CONTR. SOLENOID, INJEC. TIMING DEVICE

03086284-0



## CONTR. SOLENOID, INJEC. TIMING DEVICE

**SE186E38**  
**MARINE**

03086284-0

Pos.	Part.-No.	Qty	Designation	Step
10	9000446-1	4	HEX.HD.BOLT ISO 4014-M8x70-A4-70	.1
20	3930103-0	4	WASHER ISO 7089-8-A4-200HV	.1
30	Z002153-0	1	CONTROL SOLENOID	.1
40	2179707-0	1	O-RING 43x3.5	..2
50	Z002160-0	1	SENSOR, CONTROL RACK POSITION	..2
60	2179708-0	1	O-RING 18x1.5	..2
70	9000116-1	2	HEX.SOCK. SCR. ISO 4762-M5x20-A2-70	..2
80	2179766-0	1	PROTECTING CAP, RACK-SENSOR	..2
90	2176745-2	1	CONTROL-LEVER	.1
100	2176746-1	2	DISTANCE-SHAFT	.1
110	3931062-0	4	SP.LO.WASH. DIN 127-B5-FST-FLZNNC-480H	.1
120	3871222-0	4	HEX.NUT ISO 4032-M5-8-FLZNNC-720H-L	.1
130	2205591-0	1	CONNECTING ROD	.1
140	2205593-0	2	PARALLEL PIN	.1
150	9000483-0	2	RETAINING WASHER F.SHAFT DIN 6799-5	.1
160	500967	1	TORSION ARM ASSY.	.1
170	9000737-0	2	HEX.SOCK. SCR. ISO 4762-M8x25-10.9	..2
180	701425	1	OIL SUPPLY PIPE ASSY. ITD	.1
190	11868	2	HO.SCR.M12x1.5-DIN7643-8-3-FLZNNC-720H-L	.1
200	9001170-0	4	BOUNDED SEAL 12.7x19x1.5	.1
210	Z026135-0	1	INJEC. TIMING DEVICE ASSY. (RAL9006)	.1
215	500950	1	INJEC. TIMING DEVICE ASSY. (RAL9006)	.1
220	2179365-0	2	O-RING 5x1.5-NBR70-ISO3601-1A	..2
230	2179369-0	1	O-RING 66.4x1.78-NBR70-ISO3601-1A	..2
240	2181491-0	1	MAGNETIC VALVE - ITD	..2
250	2179391-0	1	O-RING 19x1.5-NBR70-ISO3601-1A	..2
260	900632	2	HEX.SOCK. SCR. DIN 7984-M4x8-A2-70	..2
270	9000499-0	2	SET SCREW ISO 4029-M4x16-A4-70	.1
280	9000063-0	3	HEX.SOCK. SCR. ISO 4762-M8x20-A4-70	.1
290	2180866-0	1	BANJO	.1



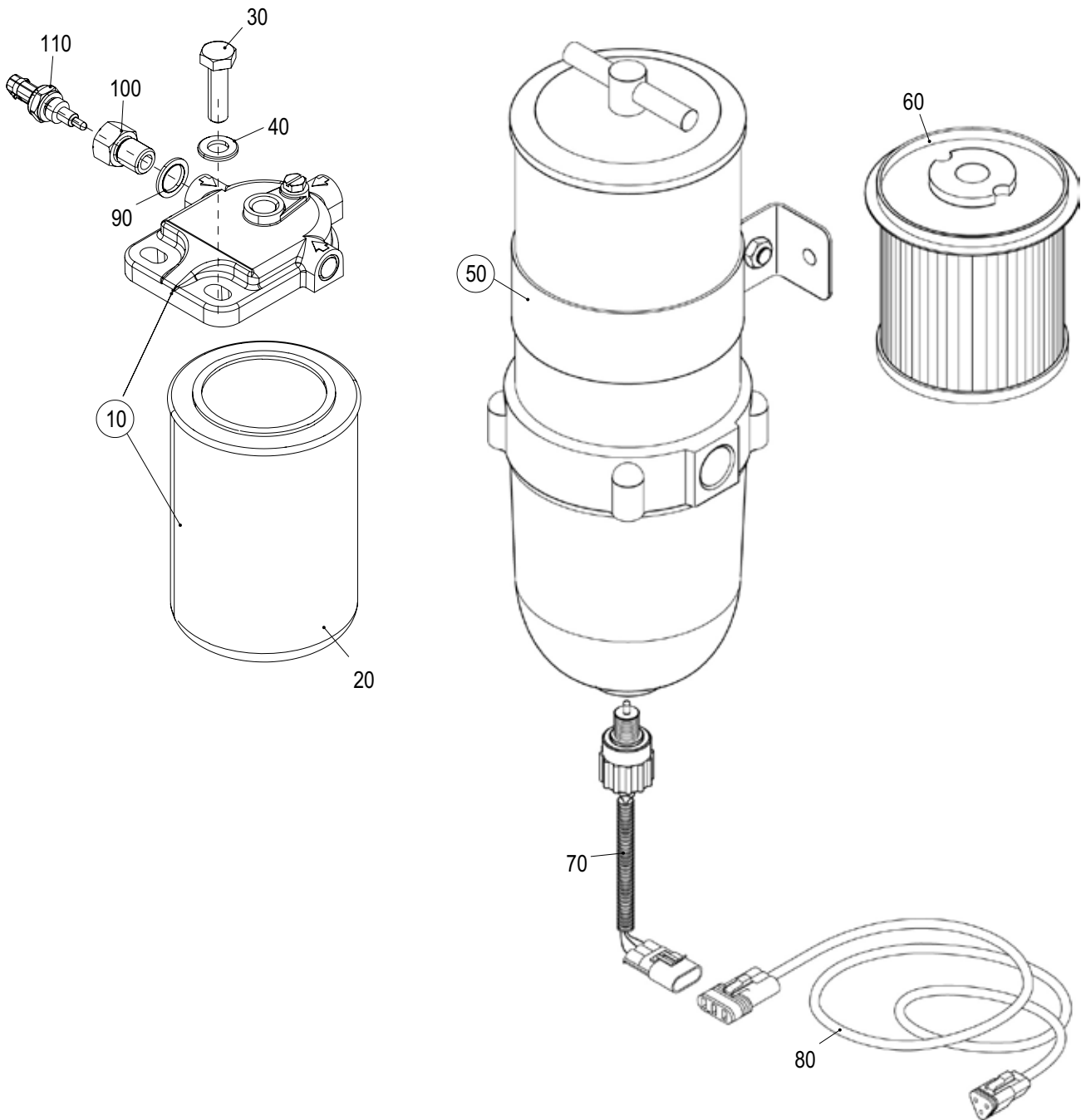


TA 0309

**SE186E38**  
**MARINE**

FUEL FILTER

03096284-1



## FUEL FILTER

**SE186E38**  
**MARINE**

03096284-1

Pos.	Part.-No.	Qty	Designation	Step
10	Z026121-0	1	FILTER BRACKET W. FUEL FILTER ASSY.	.1
20	2180831-0	1	FUEL SPIN-ON FILTER	.1
30	3802532-0	2	HEX.SCR.ISO4017-M10x35-8.8-FLZNNC-720H-L	.1
40	3930075-0	2	WASHER ISO 7089-10-A4-200HV	.1
50	2181035-0	1	PRE FUEL FILTER	.1
60	2181036-0	1	PRE FUEL FILTER CARTRIDGE	.2
70	701667	1	SENSOR, WATER IN FUEL	.2
80	2181200-0	1	HARNESS WATER SEPARATOR	.1
90	9001171-0	1	BOUNDED SEAL 14.7x21x1.5	.1
100	2202618-0	1	ADAPTER TEMPERATURE SENSOR	.1
110	2180773-0	1	TEMPERATURE SENSOR W. SEAL RING	.1



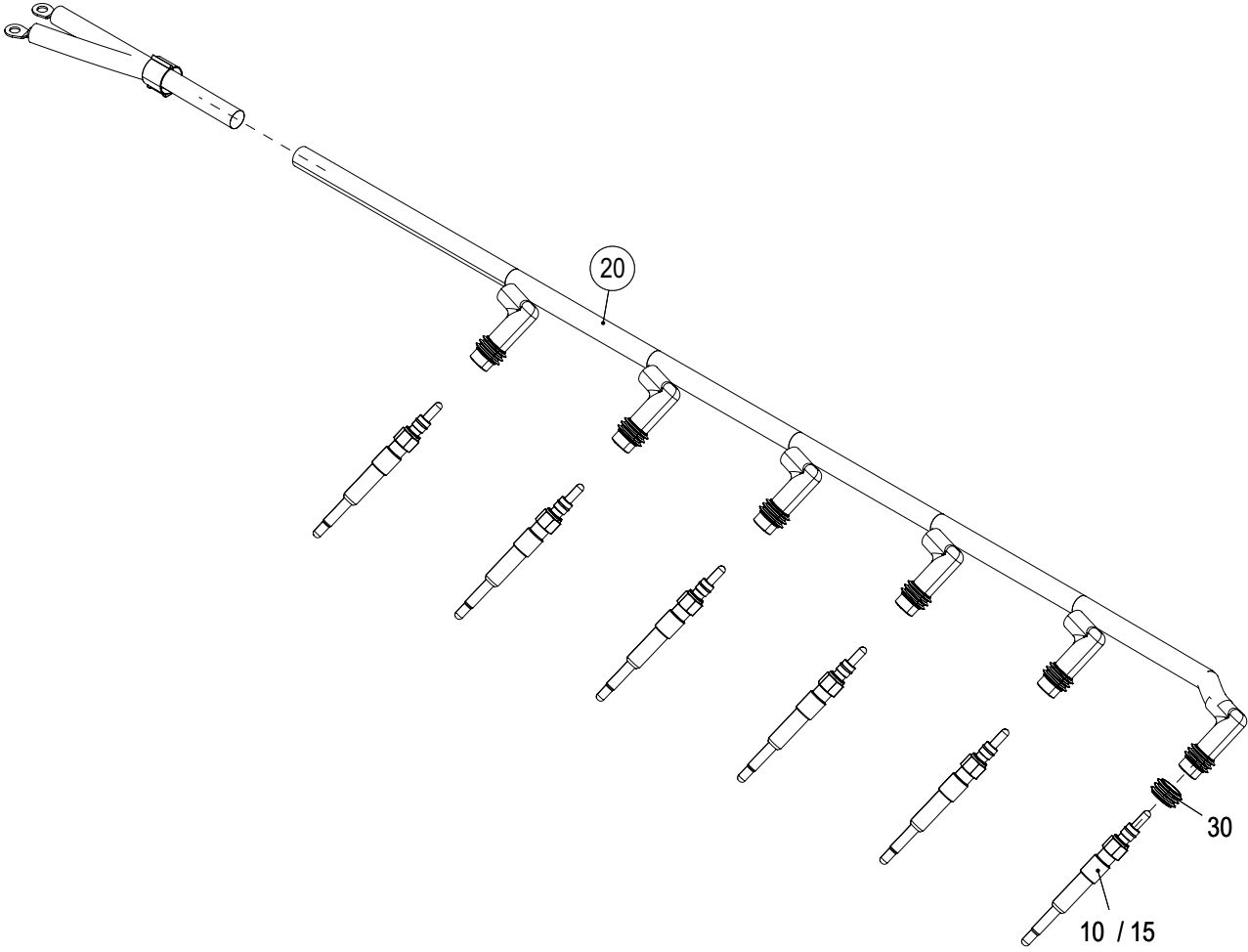


TA 0311

**SE186E38**  
**MARINE**

GLOW PLUG

03116084-0





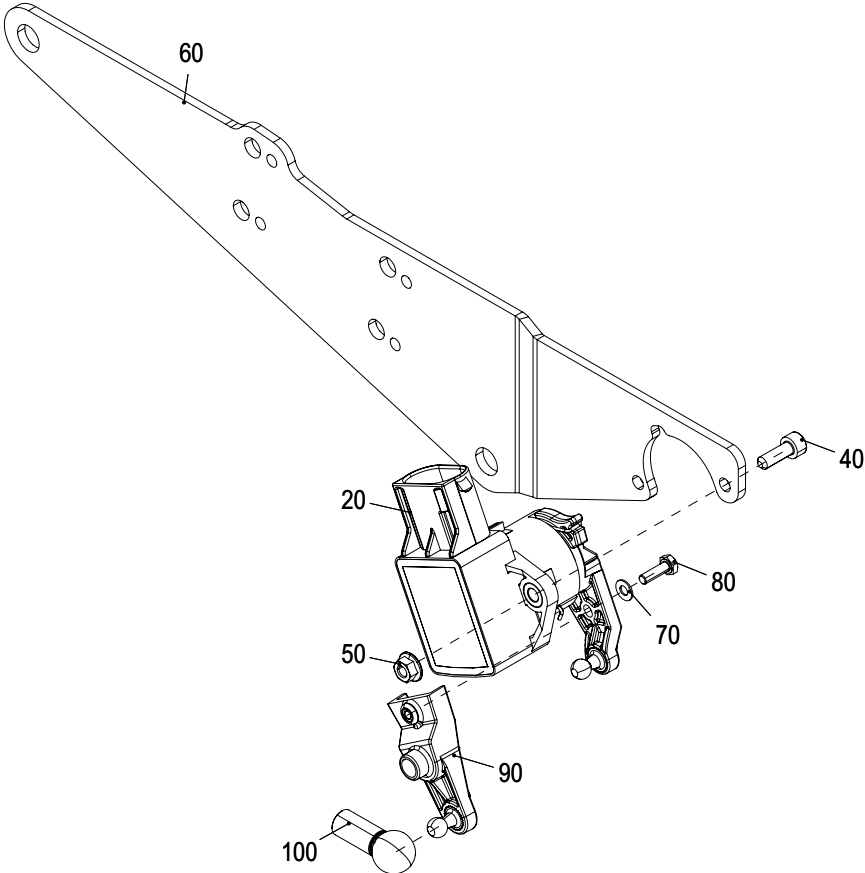


TA 0312

**SE186E38**  
**MARINE**

POTENTIOMETER ACCELERATOR

03126284-1





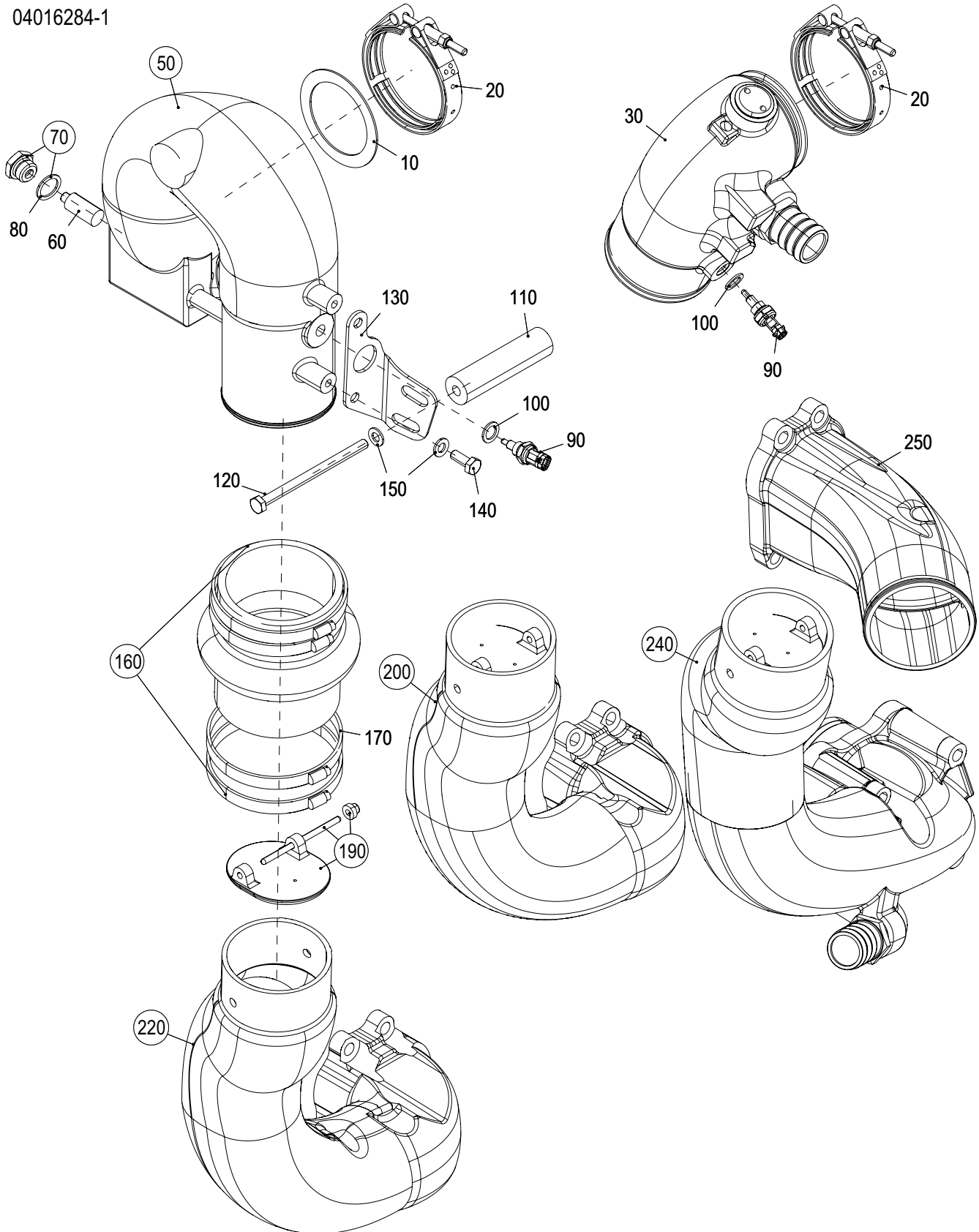


TA 0401

**SE186E38**  
**MARINE**

## HIGH RISER, EXHAUSTPIPE

04016284-1



**HIGH RISER, EXHAUSTPIPE**
**SE186E38  
MARINE**

04016284-1

Pos.	Part.-No.	Qty	Designation	Step
10	2178505-2	1	GASKET ELBOW EXHAUST	.1
20	2173297-0	1	CLAMP	.1
30	Z002095-0	1	ELBOW ASSY. EXHAUST (RAL9006)	.1
50	Z002626-0	1	ELBOW EXHAUST ASSY. - VDO (RAL9006)	.1
60	2178413-1	1	ZINC ANODE	.1
70	Z002017-0	1	PLUG & SEAL FOR ZINC-ANODE	.1
80	900631	1	SEALING RING DIN 7603-A18x24-CU	.1
90	2180773-0	1	TEMPERATURE SENSOR W. SEAL RING	.1
100	3098013-0	1	SEALING RING DIN 7603-A12x18-CU	.1
110	2181129-0	1	DISTANCE PIPE	.1
120	9000288-2	1	HEX.HD.BOLT ISO 4014-M8x120-A2-70	.1
130	2181087-0	1	BRACKET SUPPORT, ELBOW (RAL9006)	.1
140	9001424-0	2	HEX.HD.SCR. ISO 4017-M8x20-A4-70	.1
150	3930103-0	3	WASHER ISO 7089-8-A4-200HV	.1
160	Z002072-0	1	KIT, HOSE-EXHAUST PIPE	.1
170	2178943-0	4	HOSE CLAMP 90-110/12-W4	.1
190	Z002063-0	1	FLAP KIT, EXHAUST PIPE	.1
200	2178885-0	1	EXHAU. PIPE (RAL9006) VOLVO DP290 R4, R6	.1
220	500943	1	EXHAUST PIPE ASSY. MERCURY	.1
240	2178886-2	1	EXHAUST PIPE AY.DUAL ST.COUPL. (RAL9006)	.1
250	Z002121-0	1	EXHAUST FLANGE MERCURY-TRANSOM (RAL9006)	.1



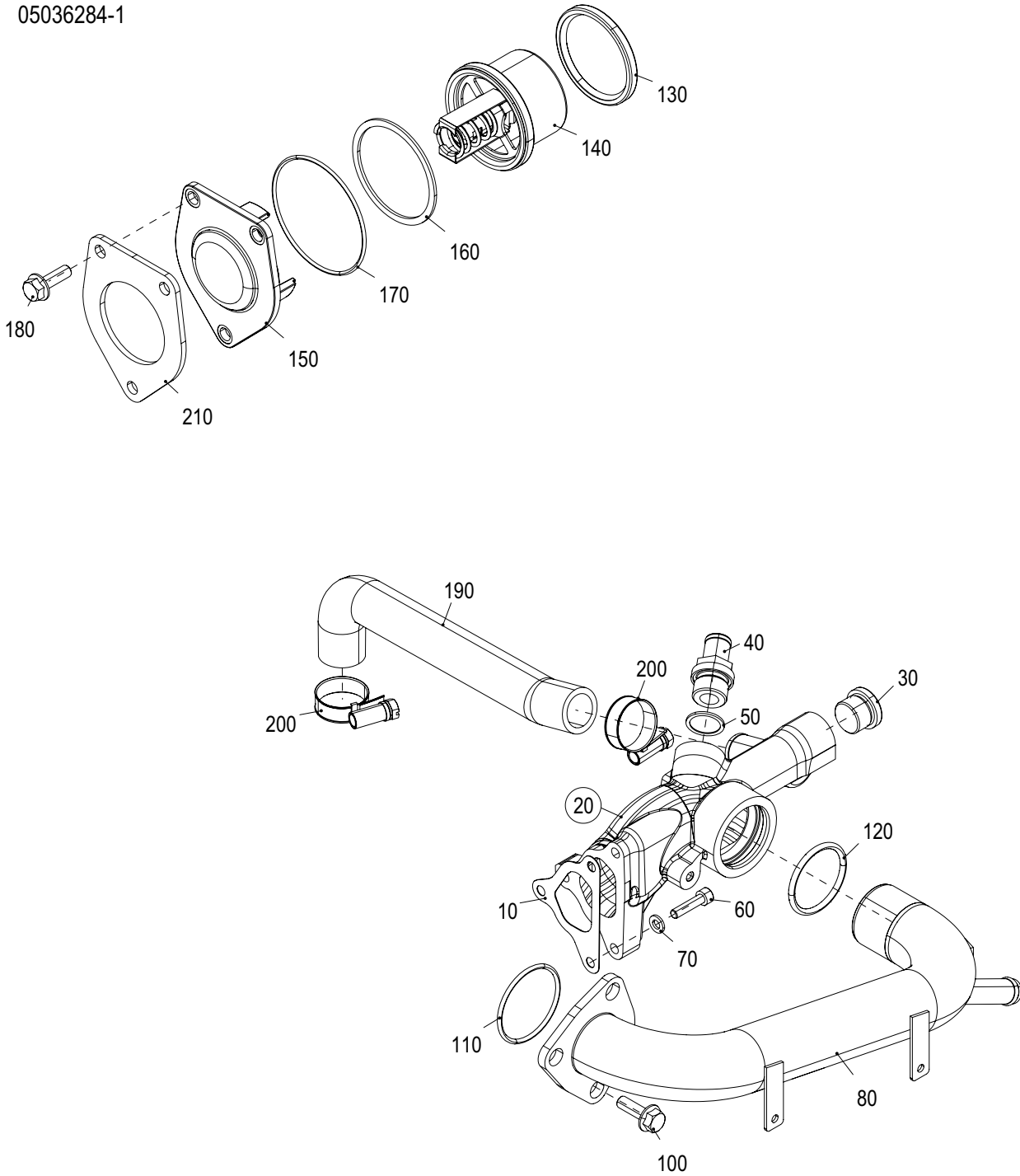


TA 0503

**SE186E38**  
**MARINE**

**WATERPIPE, THERMOSTAT**

05036284-1



<b>WATERPIPE, THERMOSTAT</b>	<b>SE186E38 MARINE</b>
------------------------------	----------------------------

05036284-1

Pos.	Part.-No.	Qty	Designation	Step
10	2177572-0	1	GASKET INLET PIPE	.1
20	Z026122-0	1	COOLANT INLET ASSY. (RAL9006)	.1
30	9000590-0	2	SCR.PLUG WITH RUBBER SEAL M22x1.5	..2
40	9000648-0	1	SCREW-IN SOCKET M22x1.5-16	..2
50	9000815-0	1	PROFILED GASKET DIN 3869-22-FPM	..2
60	9001088-0	3	HEX.SOCK. SCR. ISO 4762-M6x25-A2-70	.1
70	3930070-0	3	WASHER ISO 7089-6-A4-200HV	.1
80	2180524-0	1	PIPE, COOLING	.1
100	9000271-0	3	BOLT EN1665-M8x25-10.9-FLZNNC-720H-L	.1
110	9000986-0	1	O-RING 49.2x3	.1
120	9001090-0	1	O-RING 42x4	.1
130	2180850-0	1	SEALING RING, THERMOSTAT	.1
140	2180758-0	1	THERMOSTAT INLAY	.1
150	2180839-1	1	COVER THERMOSTAT	.1
160	2180921-0	1	DISTANCE WASHER	.1
170	9001169-0	1	O-RING 78x2.5	.1
180	9000271-0	3	BOLT EN1665-M8x25-10.9-FLZNNC-720H-L	.1
190	2180823-0	1	MOULDED HOSE, OIL COOLER-OUTLET	.1
200	2177464-0	2	CLAMP 20-32/12	.1
210	2181205-0	1	HOLDING PLATE	.1



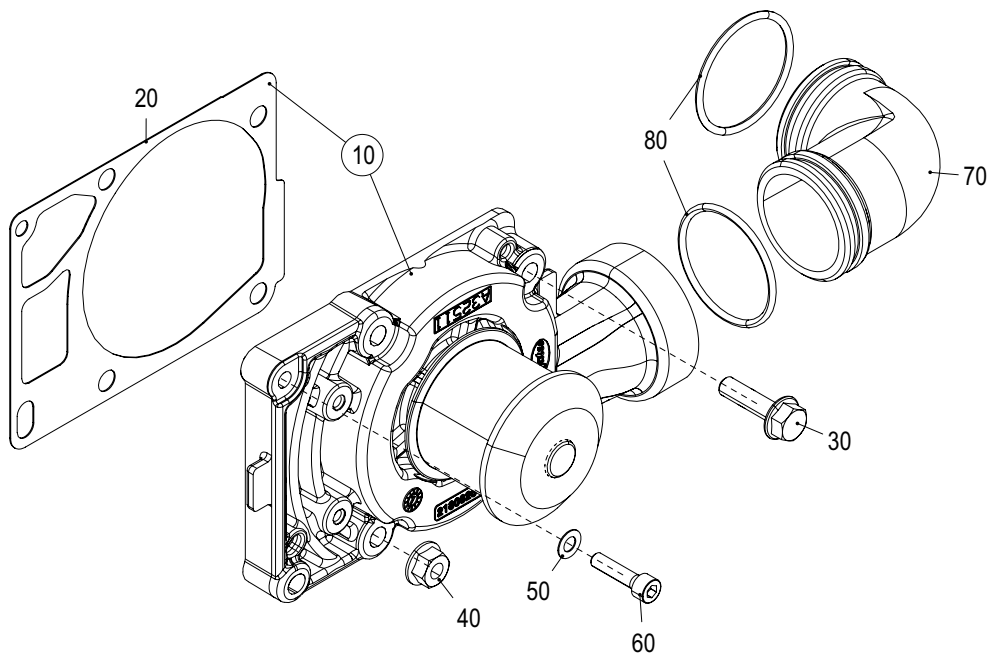


TA 0504

**SE186E38**  
**MARINE**

**WATERPUMP**

05046284-0



<b>WATERPUMP</b>	<b>SE186E38</b> <b>MARINE</b>
------------------	----------------------------------

05046284-0

Pos.	Part.-No.	Qty	Designation	Step
10	Z026123-0	1	WATER PUMP ASSY. (WITH GASKET)	.1
20	2177329-3	1	GASKET WATERPUMP HOUSING	.2
30	9000431-0	4	BOLT EN1665-M8x30-10.9-FLZNNC-720H-L	.1
40	9000056-1	1	HEX.FLANGE NUT EN1661-M8-8-FLZNNC-720H-L	.1
50	3932008-0	1	SP. WASHER DIN 137-B6-FST-FLZNNC-480H	.1
60	3862327-0	1	SCR. ISO 4762-M6x25-8.8-FLZNNC-720H-L	.1
70	2180827-1	1	CONNECTOR, WATERPUMP - OIL MODULE	.1
80	9001359-0	2	O-RING 46x3.2	.1



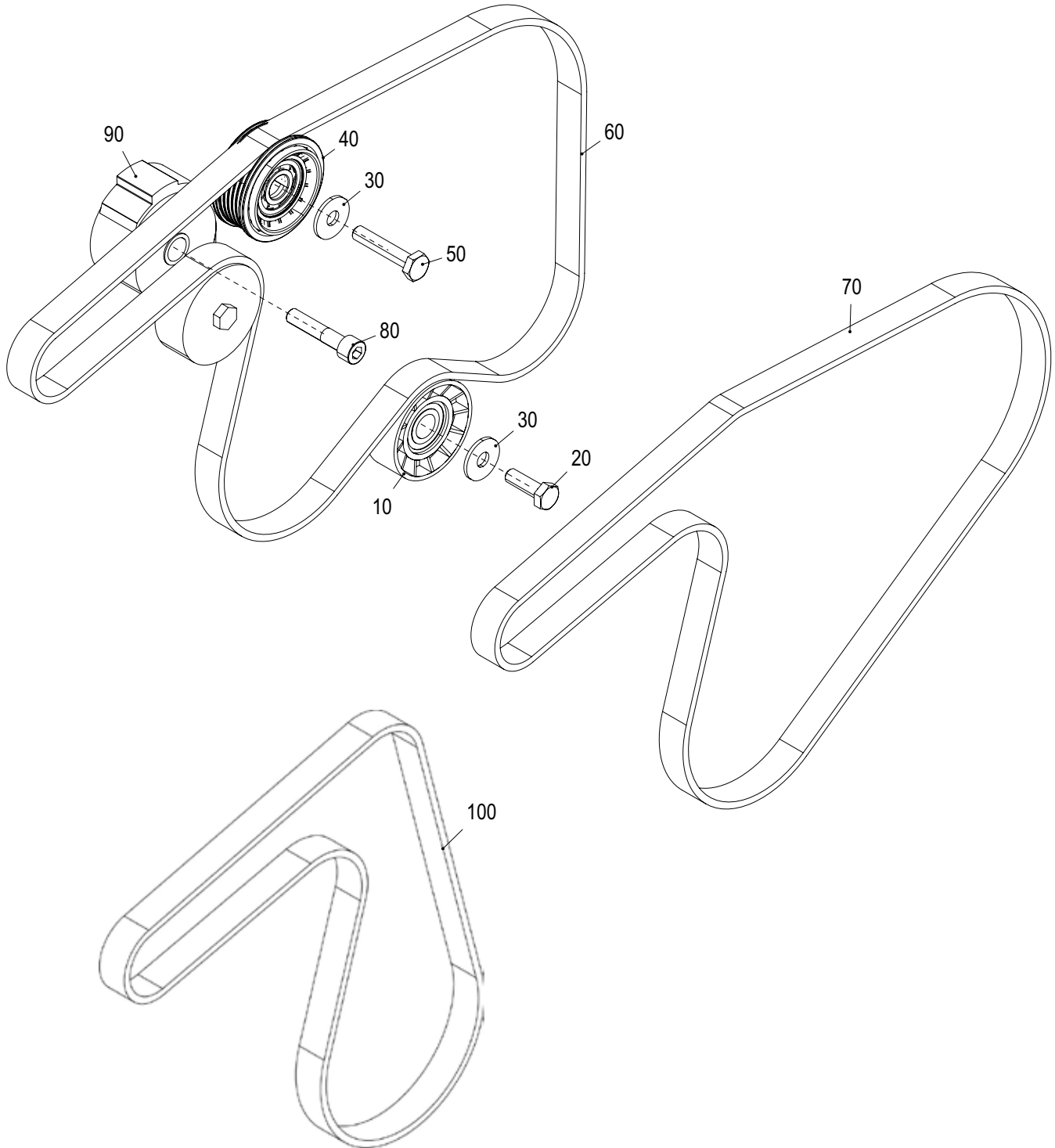


TA 0505

**SE186E38  
MARINE**

**DRIVE BELTS, PULLEYS, TENSIONER**

05056284-0



<b>DRIVE BELTS, PULLEYS, TENSIONER</b>	<b>SE186E38 MARINE</b>
--	----------------------------

05056284-0

Pos.	Part.-No.	Qty	Designation	Step
10	2203559-1	1	IDLER PULLEY	.1
20	3802527-0	1	HEX.HD.SCR. ISO 4017-M10x30-A4	.1
30	3936107-0	2	WASHER ISO 7093-10.5-140HV-A4	.1
40	2180696-0	1	IDLER PULLEY ASSY.	.1
50	900051	1	HEX.HD.BOLT ISO 4017-M10x50-A4-70	.1
60	2180887-0	1	POLY-V BELT L=1488 6PK	.1
70	2180927-0	1	POLY-V BELT L=1390 6PK	.1
80	9000014-1	1	SCR. ISO 4762-M10x50-10.9-FLZNNC-720H-L	.1
90	2205423-0	1	TENSIONER POLY-V BELT	.1
100	2180926-0	1	POLY-V BELT L=1095 6PK	.1



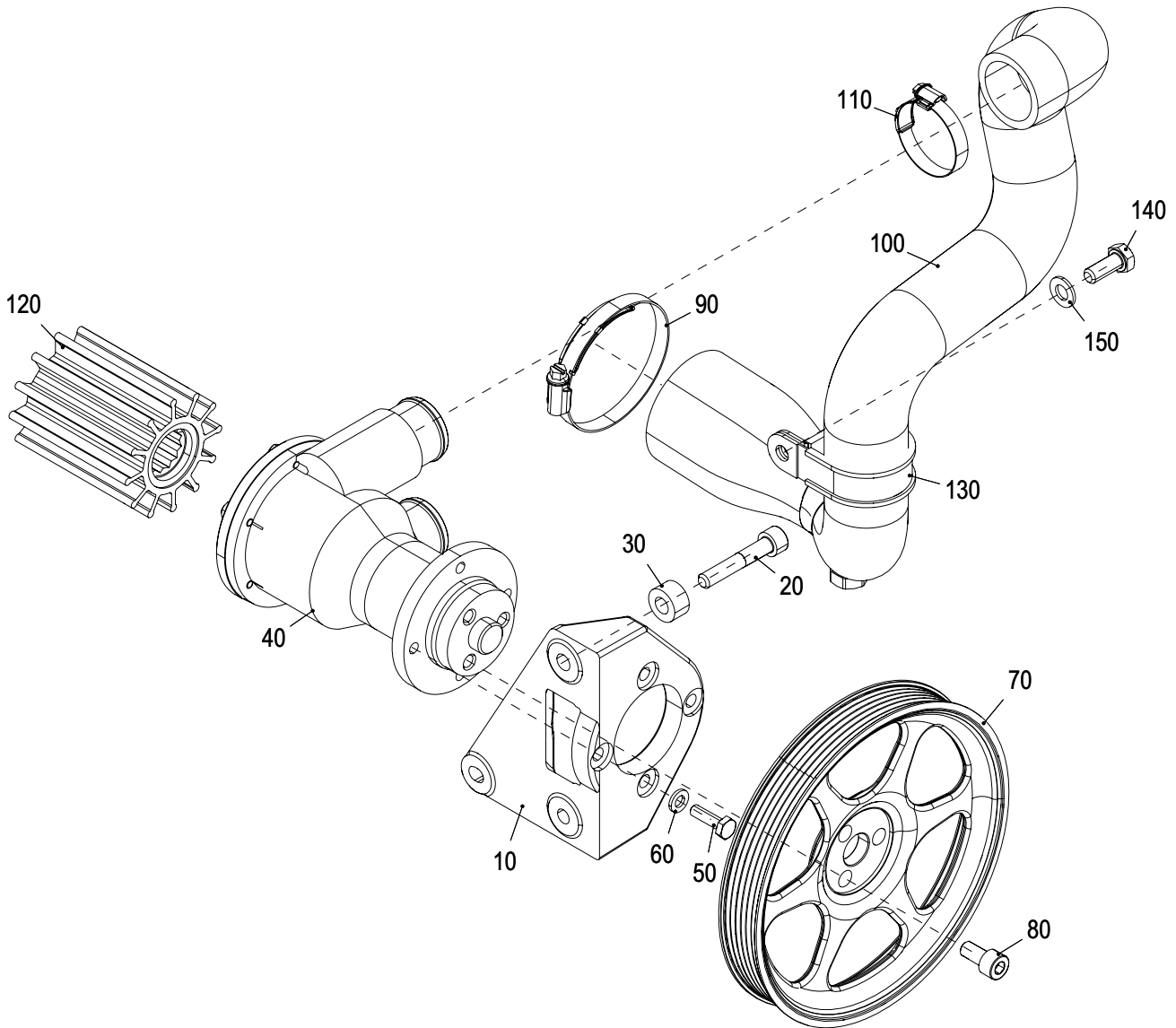


TA 0510

**SE186E38**  
**MARINE**

**RAW WATER PUMP**

05106284-0



<b>RAW WATER PUMP</b>	<b>SE186E38 MARINE</b>
-----------------------	----------------------------

05106284-0

Pos.	Part.-No.	Qty	Designation	Step
10	2180983-0	1	BRACKET, RAW WATER PUMP (RAL9006)	.1
20	9000697-0	3	HEX.SOCK. SCR. ISO 4762-M8x45-A2-70	.1
30	2200868-0	3	BUSHING, OIL COOLER	.1
40	500939	1	RAW WATER PUMP (RAL9006)	.1
50	3800221-0	4	HEX.HD.SCR. ISO 4017-M6x20-A2-70	.1
60	3930070-0	4	WASHER ISO 7089-6-A4-200HV	.1
70	2179911-0	1	PULLEY, RAW WATER PUMP	.1
80	3860152-0	3	HEX.SOCK. SCR. ISO 4762-M8x16-A2-70	.1
90	2179022-0	1	HOSE CLAMP WITH SPRING 50-70/9	.1
100	2180890-0	1	MOLDED HOSE	.1
110	2179044-0	1	HOSE CLAMP WITH SPRING 25-40/9	.1
120	500871	1	SERVICE KIT, RAW WATER PUMP (EPDM)	.1
130	9000759-0	1	PIPE CLAMP DM40	.1
140	9001424-0	1	HEX.HD.SCR. ISO 4017-M8x20-A4-70	.1
150	3930103-0	1	WASHER ISO 7089-8-A4-200HV	.1



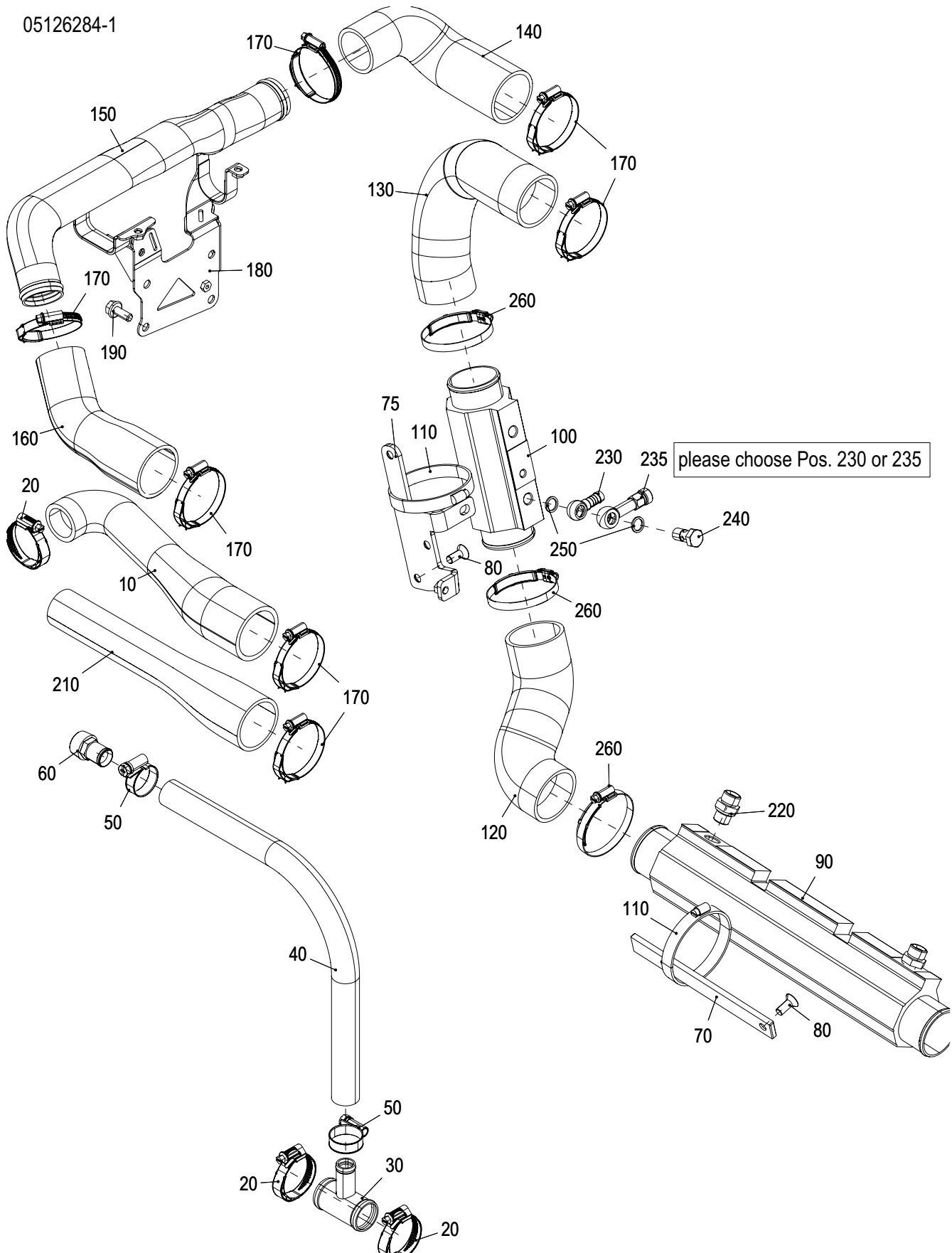


TA 0512

## SE186E38 MARINE

### RAW WATER PIPES

05126284-1



**RAW WATER PIPES**
**SE186E38  
MARINE**

05126284-1

Pos.	Part.-No.	Qty	Designation	Step
10	Z026170-0	1	MOULDED HOSE, HEAT EXCHA. - ELBOW EXH.	.1
20	2181430-0	3	HOSE CLAMP WITH SPRING 30-45/9	.1
30	2040095-2	1	PIPE ENGINE-COOLANT 32/19	.1
40	2179330-1	1	HOSE RAW WATER 20x2000	.1
50	2177464-0	2	CLAMP 20-32/12	.1
60	9000468-1	1	SCREW IN SOCKET	.1
75	2181195-0	1	BRACKET, FUEL COOLER	.1
80	9000456-0	5	COU.SCR.DIN7991-M8x20-10.9-FLZNNC-720H-L	.1
90	Z026124-0	1	GEAR OIL COOLER (RAL9006)	.1
100	Z026125-0	1	FUEL COOLER (RAL9006)	.1
110	2179929-0	3	HOSE CLAMP 60-80/12	.1
120	2180645-0	1	MOLDED HOSE	.1
130	2180646-0	1	MOLDED HOSE	.1
140	2180995-0	1	MOULDED HOSE	.1
150	2180841-0	1	TUBE AIR COOLER-HEAT EXCHANGER	.1
160	2180994-0	1	MOULDED HOSE	.1
170	2179050-0	7	HOSE CLAMP WITH SPRING 40-60/9	.1
180	2180923-0	1	BRACKET, RAW WATER PIPE	.1
190	9000305-0	3	BOLT EN1665-M8x20-10.9-FLZNNC-720H-L	.1
210	Z026169-0	1	MOULDED HOSE, HEAT EXCHA. - ELBOW EXH.	.1
220	9000832-0	2	PIPE UNION ADAP. DIN 3901-L12A-M-ST	.1
230	9001148-0	1	BANJO DM12	.1
240	11868	1	HO.SCR.M12x1.5-DIN7643-8-3-FLZNNC-720H-L	.1
250	9001170-0	2	BOUNDED SEAL 12.7x19x1.5	.1
260	2179022-0	3	HOSE CLAMP WITH SPRING 50-70/9	.1



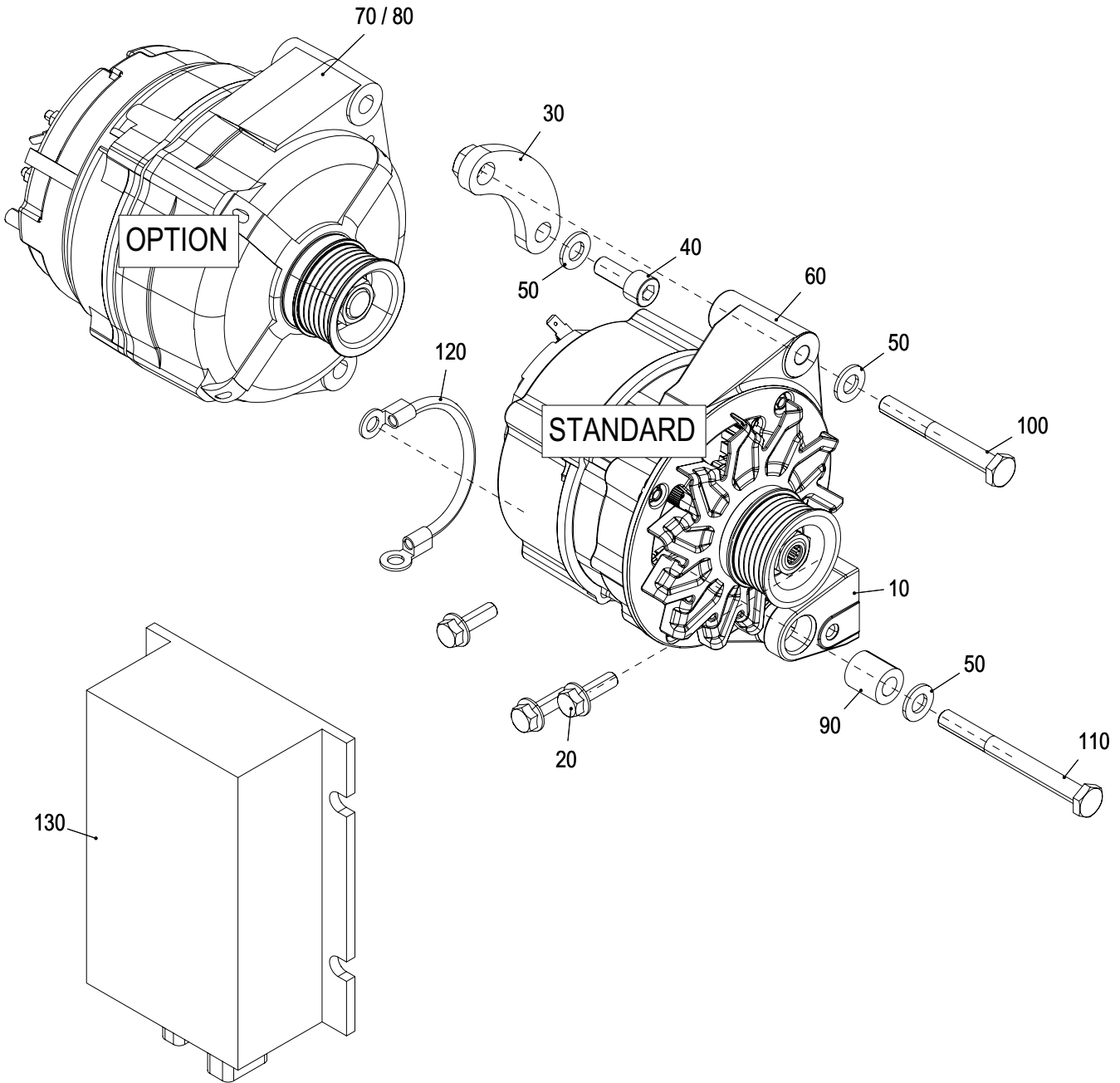


TA 0601

**SE186E38**  
**MARINE**

## ALTERNATOR

06016284-0



<p><b>ALTERNATOR</b></p>	<p><b>SE186E38</b> <b>MARINE</b></p>
--------------------------	--

06016284-0

Pos.	Part.-No.	Qty	Designation	Step
10	Z026126-0	1	BRACKET, ALTERNATOR (RAL9006)	.1
20	9000271-0	3	BOLT EN1665-M8x25-10.9-FLZNNC-720H-L	.1
30	2180987-0	1	HOLDING PLATE, ALTERNATOR	.1
40	9000511-0	1	HEX.SOCK. SCR. ISO 4762-M10x25-12.9	.1
50	3930271-0	3	WASHER ISO 7089-10-140HV-FLZNNC-480H	.1
60	Z026127-0	1	ALTERNATOR 14V-120A FAN EXTER. (RAL9006)	.1
70	Z026141-0	1	ALTERN. ASSY. 14V-150A (OPTION)(RAL9006)	.1
80	Z026143-0	1	ALTERN. ASSY. 28V-100A (OPTION)(RAL9006)	.1
90	2180794-0	1	CLAMPING SLEEVE, ALTERNATOR	.1
100	3800571-0	1	BOLT ISO 4014-M10x80-8.8-FLZNNC-720H-L	.1
110	3800568-0	1	H.BOLT ISO4014-M10x100-8.8-FLZNNC-720H-L	.1
120	2178968-0	1	GROUND WIRE	.1
130	2179789-0	1	DC/DC CONVERTER 24 -12V / 30A	.1



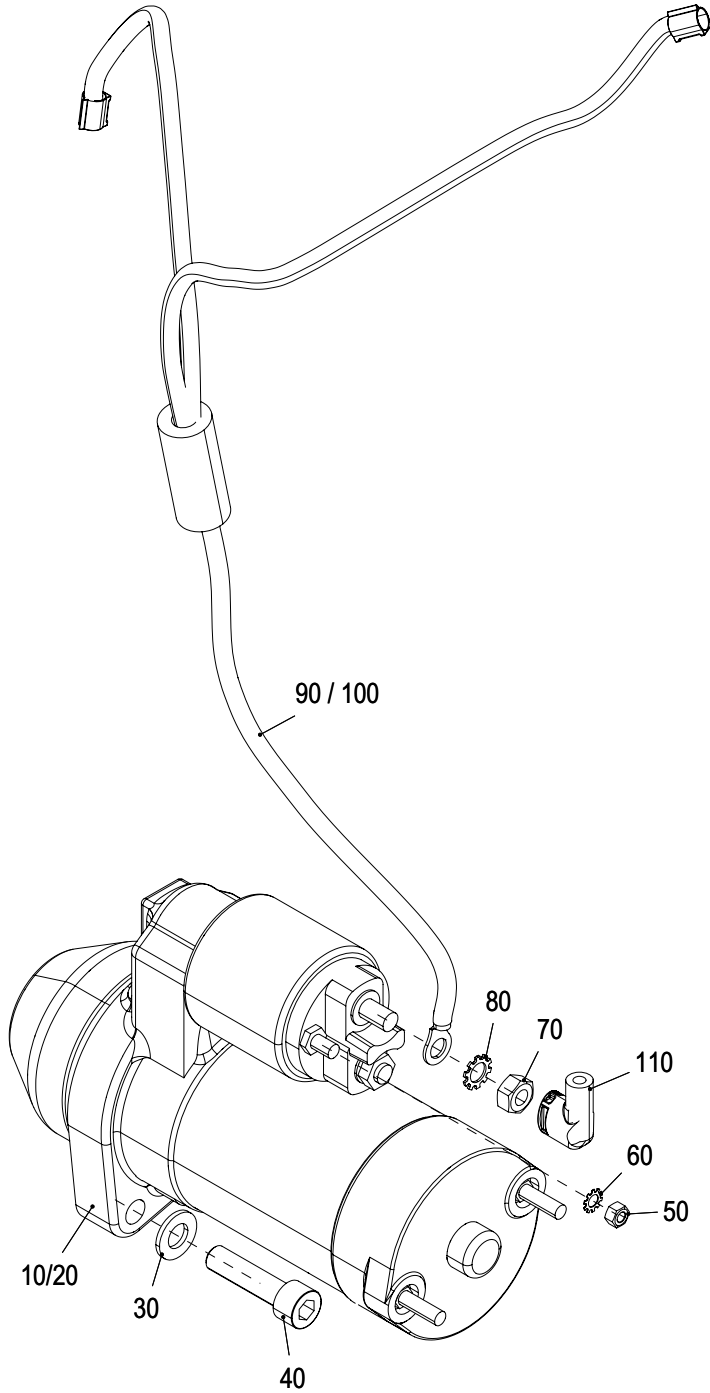


TA 0603

**SE186E38**  
**MARINE**

STARTER

06036284-0



<b>STARTER</b>	<b>SE186E38 MARINE</b>
----------------	----------------------------

06036284-0

Pos.	Part.-No.	Qty	Designation	Step
10	2040077-8	1	STARTER 12V (RAL9006)	.1
20	Z026142-0	1	STARTER 24V (OPTION) (RAL9006)	.1
30	3932025-0	2	SPRING WASHER DIN137-A10-FST-FLZNNC-480H	.1
40	3860149-0	2	HEX.SCR.ISO4762-M10x40-8.8-FLZNNC-720H-L	.1
50	3870050-0	1	HEX.NUT ISO 4032-M5-A2-70	.1
60	9000013-0	1	TOOTHED LOCK WASHER DIN 6797-A8.4	.1
70	3870045-0	1	HEX.NUT ISO 4032-M8-A2-70	.1
80	9000040-0	1	TOOTHED LOCK WASHER DIN 6797-A5.3	.1
90	2180898-0	1	HARNESS STARTER 12V (STANDARD)	.1
100	2180899-0	1	HARNESS STARTER 24V (OPTION)	.1
110	O910111-0	1	RUBBER PROTECTION CAP	.1



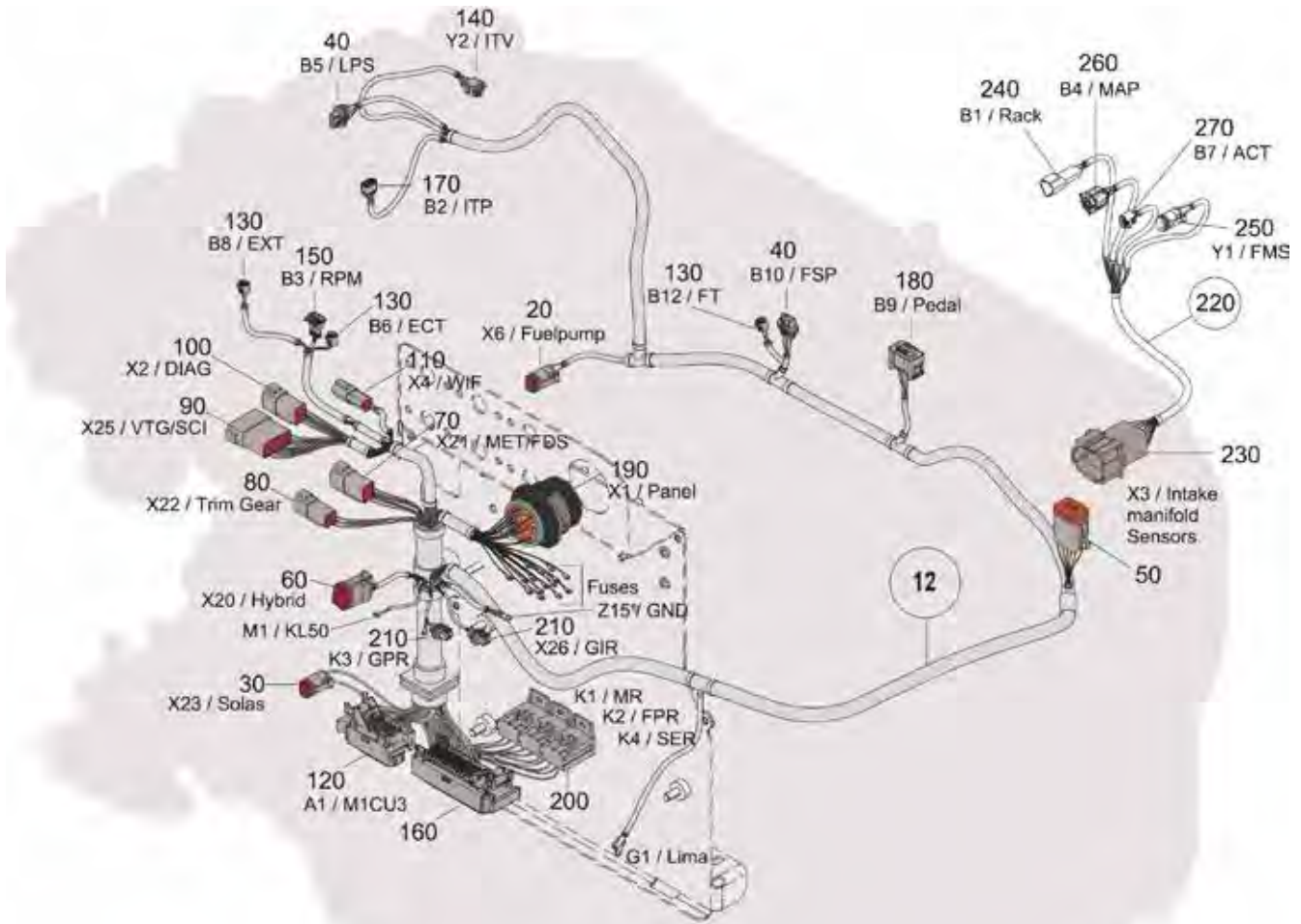


TA 0605

## SE186E38 MARINE

### ENGINE HARNESS

06056284-1



<b>ENGINE HARNESS</b>	<b>SE186E38 MARINE</b>
-----------------------	----------------------------

06056284-1

Pos.	Part.-No.	Qty	Designation	Step
12	500891	1	ENG.HARN.INCL.BASE PLATE & RUBBER MOUNTS	.1
20	Z002417-1	1	PLUG COMPLETE 2-POLE	.2
30	Z002417-0	1	PLUG COMPLETE 2-POLE	.2
40	Z002203-0	2	PLUG COMPLETE 3-POLE	.2
50	Z002204-0	1	PLUG COMPLETE 8-POLE	.2
60	Z002649-0	1	PLUG COMPLETE 6-POLE	.2
70	Z002415-0	1	PLUG COMPLETE 6-POLE	.2
80	Z002205-0	1	PLUG COMPLETE 4-POLE	.2
90	Z002206-0	1	PLUG COMPLETE 12-POLE	.2
100	Z002211-0	1	PLUG COMPLETE 6-POLE	.2
110	Z002416-0	1	PLUG COMPLETE 3-POLE	.2
120	Z002207-0	1	PLUG COMPLETE 28-POLE	.2
130	Z002208-0	3	PLUG COMPLETE 2-POLE	.2
140	Z002645-0	1	PLUG COMPLETE 2-POLE	.2
150	Z002412-0	1	PLUG COMPLETE 3-POLE	.2
160	Z002209-0	1	PLUG COMPLETE 52-POLE	.2
170	Z002643-0	1	PLUG COMPLETE 4-POLE	.2
180	Z002414-2	1	PLUG COMPLETE 6-POLE	.2
190	Z002410-A	1	PLUG COMPLETE 23-POLE	.2
200	9000421-0	3	RELAY SOCKET	.2
210	Z002210-0	2	PLUG COMPLETE 2-POLE	.2
220	Z026129-0	1	HARNESS ASSY., INTAKE MANIFOLD	.2
230	Z002092-0	1	PLUG COMPLETE 8-POLE	.2
240	Z002416-0	1	PLUG COMPLETE 3-POLE	.2
250	Z002417-0	1	PLUG COMPLETE 2-POLE	.2
260	Z002139-0	1	PLUG COMPLETE 3-POLE	.2
270	Z002208-0	1	PLUG COMPLETE 2-POLE	.2



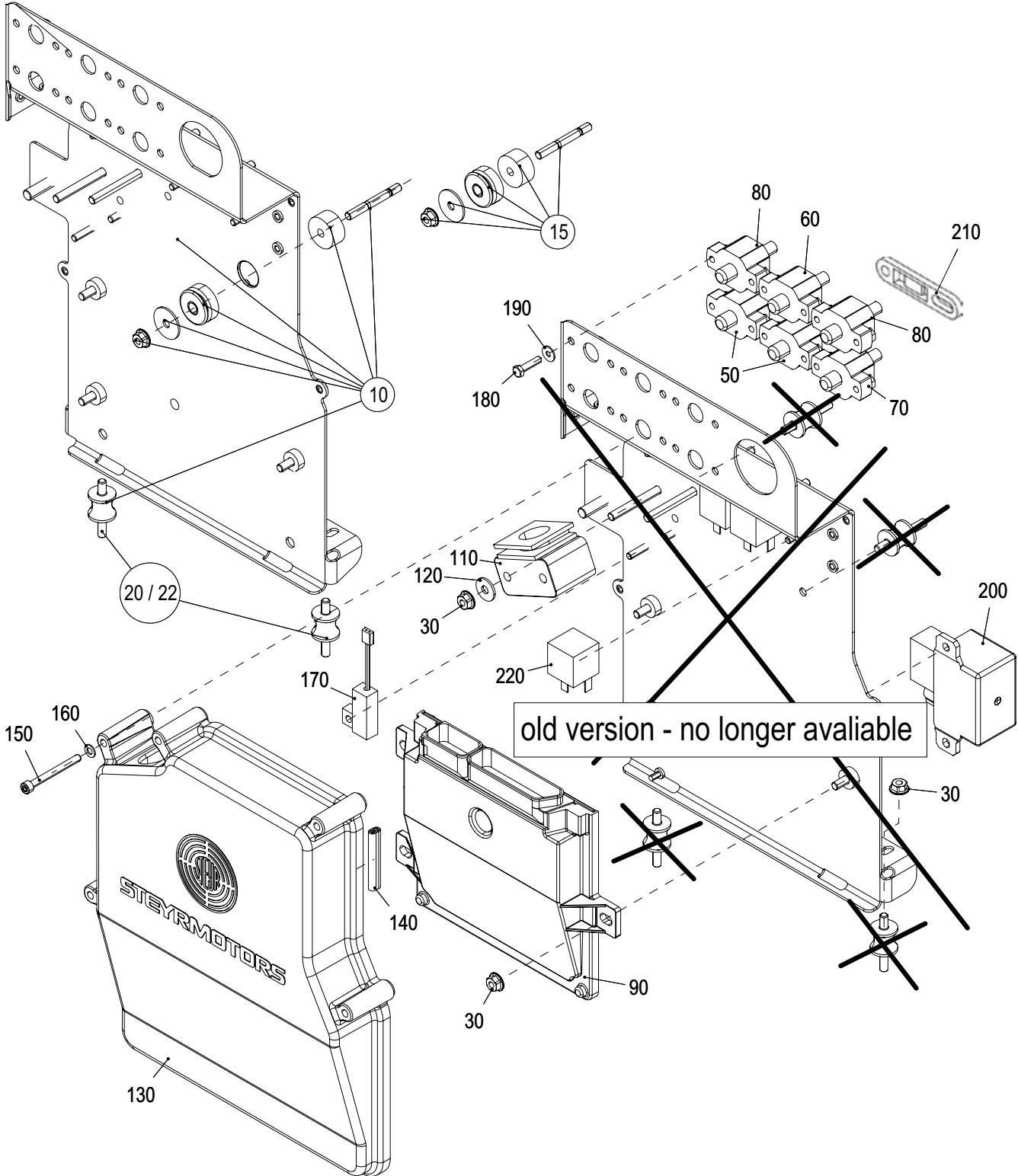


TA 0606

## SE186E38 MARINE

### SECURITYSYSTEM, FUSES, ECU, E- BOX

06066284-B



**SECURITYSYSTEM, FUSES, ECU, E- BOX**

**SE186E38  
MARINE**

06066284-B

Pos.	Part.-No.	Qty	Designation	Step
10	501105	1	BASE PLATE INCL. RUBBER MOUNTS	.1
15	501103	1	SPARE PART KIT, RUBBER MOUNT UPPER	.1
20	501131	1	SPARE PART KIT, RUBBER MOUNT LOWER	.1
22	501130	1	SPARE PART KIT, RUBBER MOU. LOWER 2-POLE	.1
30	3880049-0	17	HEX.FLANGE NUT EN 1661-M6-A4-70	.1
50	O913774-0	2	AUTOMATIC CIRCUIT BREAKER 50A	.1
60	2181039-0	1	AUTOMATIC CIRCUIT BREAKER 25A	.1
70	O986525-0	1	CIRCUIT BREAKER 12.5A	.1
80	2181040-0	2	AUTOMATIC CIRCUIT BREAKER 20A	.1
90	802632	1	ENGINE CONTROL UNIT SE186E38	.1
110	2203753-0	2	CLAMP, FASTEN ENGINE-HARNESS	.1
120	9000012-0	10	WASHER ISO 7093-6.4-140HV-A2	.1
130	2181005-0	1	ASSY. COVERING, ENGINE ELECTRIC	.1
140	2171410-1	1	SEAL, COVERING ENGINE ELECTRIC	.2
150	9000003-0	5	HEX.SOCK. SCR. ISO 4762-M5x55-A2-70	.1
160	3930069-0	8	WASHER ISO 7089-5-A4-200HV	.1
170	2178971-G	1	INVERSION-SWITCH ASSY	.1
180	9000424-0	12	HEX.HD.SCR. ISO 4017-8/32UNCx20-A2-70	.1
190	3930072-0	12	WASHER LA. SERIES ISO 7093-4.3-A4-200HV	.1
200	9000947-1	1	RELAY 12V-150A-IP67	.1
210	2178870-0	2	FIXTURE, CABLE TIE	.1
220	9000183-0	3	RELAY 12V 40A	.1



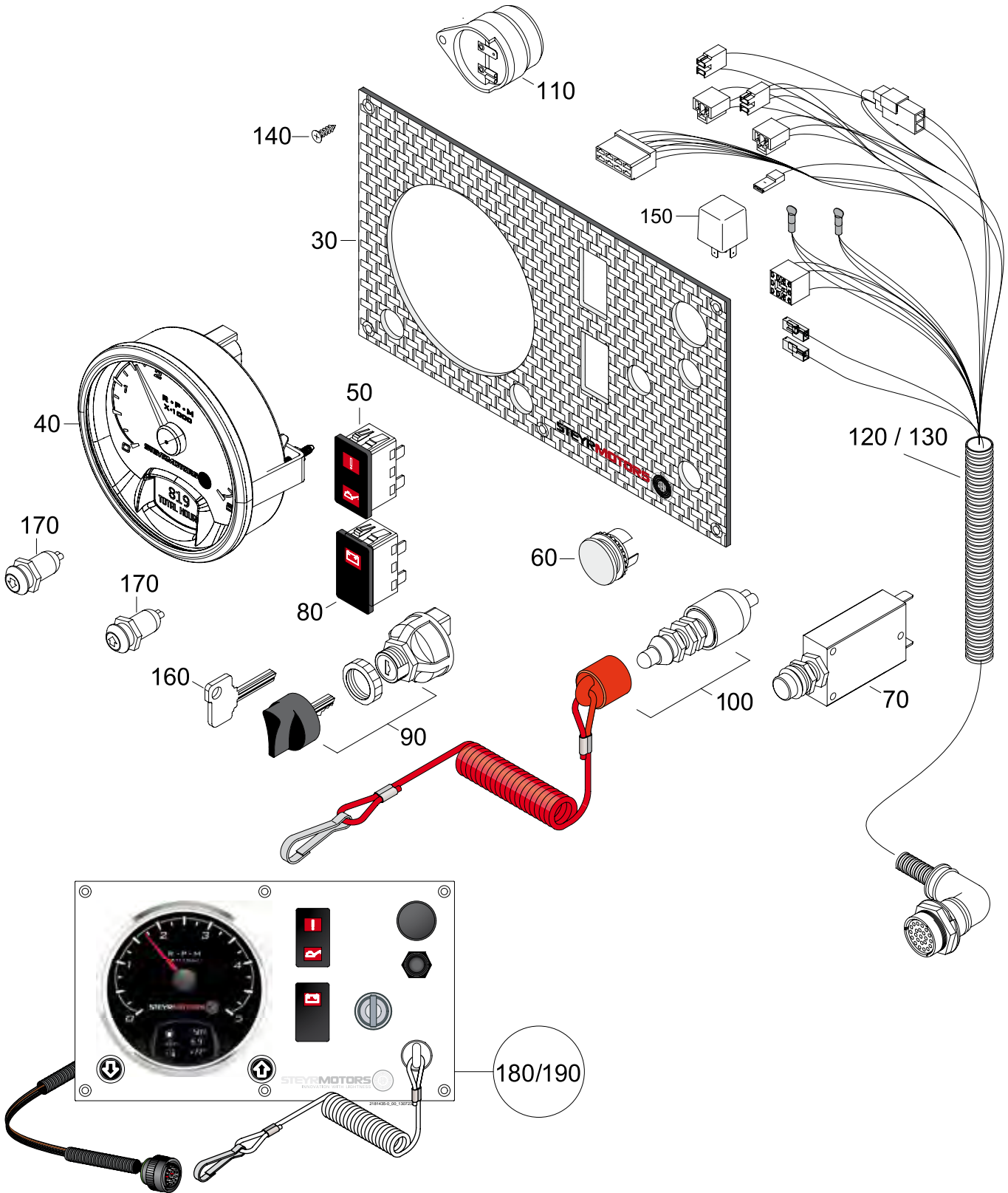


TA 0607

## SE186E38 MARINE

### INSTRUMENT PANEL (STANDARD FROM 2013/08)

06072184-2



INSTRUMENT PANEL (STANDARD FROM 2013/08)	<b>SE186E38</b> <b>MARINE</b>
--	----------------------------------

06072184-2

Pos.	Part.-No.	Qty	Designation	Step
30	2181436-0	1	FRONT PLATE, INSTRUMENT PANEL - STANDARD	.1
40	2181437-0	1	REVOLUTION COUNTER	.1
50	Z002196-0	1	WARNING LIGHT, OIL PRESSURE & CHECK ENG.	.1
60	2179320-0	1	BLIND PLUG	.1
70	Z002180-0	1	THERMO PROTECTION SWITCH ASSY.	.1
80	Z002197-0	1	WARNING LIGHT, BATTERY CHARGE	.1
90	2179975-0	1	GLOW-START SWITCH	.1
100	2179978-0	1	EMERGENCY CUTOFF SWITCH	.1
110	2178760-1	1	HORN AUDIBLE WARNING	.1
120	2181438-0	1	CABLE ASSY. INSTRUMENT 7m	.1
130	2181444-0	1	CABLE ASSY. INSTRUMENT 1.5m	.1
140	9000817-0	6	CR.REC.COUNT.SUNK HD.TPG.SCR. 3.5x16	.1
150	9000183-0	1	RELAY 12V 40A	.1
160	2181496-0	1	IGNITION KEY, BLANK PART	.1
170	2181439-0	2	TASTER RPM GAUGE UP/DOWN	.1
180	2181435-0	1	INSTR. PANEL ASSY. (LED) 12V 7m	.1
190	2181440-0	1	INSTR. PANEL ASSY. (LED) 12V 1.5m	.1

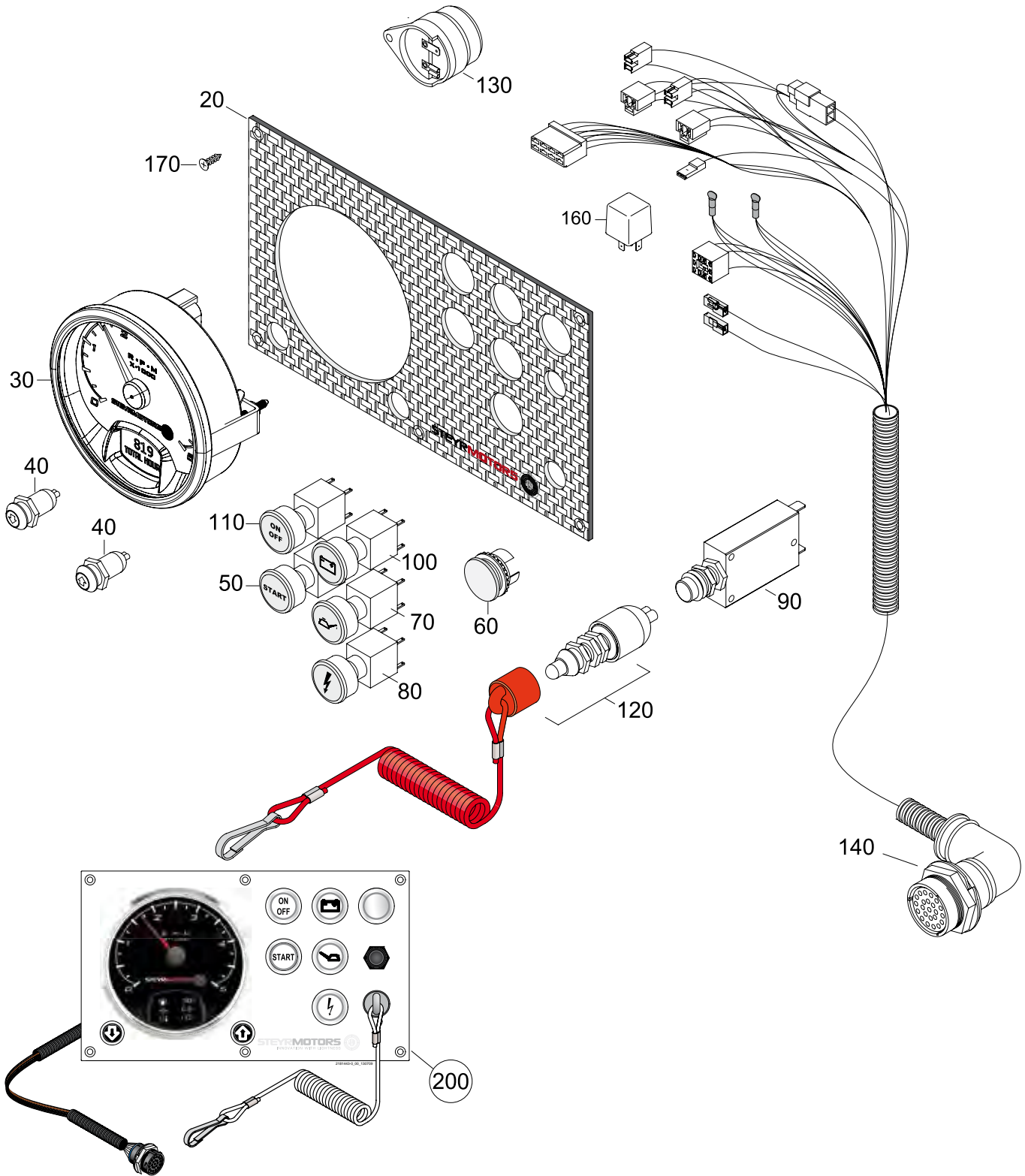


TA 0609

## SE186E38 MARINE

### INSTRUMENT PANEL SOLAS (FROM 2013/08)

06092184-5



<b>INSTRUMENT PANEL SOLAS (FROM 2013/08)</b>	<b>SE186E38</b> <b>MARINE</b>
--	----------------------------------

06092184-5

Pos.	Part.-No.	Qty	Designation	Step
20	2181447-0	1	FRONT PLATE, INSTRUMENT PANEL - SOLAS	.1
30	2181437-0	1	REVOLUTION COUNTER	.1
40	2181439-0	2	TASTER RPM GAUGE UP/DOWN	.1
50	2180779-0	1	START SWITCH, GREEN	.1
60	2180797-0	1	BLIND PLUG	.1
70	2180776-0	1	WARNING LIGHT, OIL PRESSURE	.1
80	2180778-0	1	WARNING LIGHT, CHECK ENGINE	.1
90	Z002180-0	1	THERMO PROTECTION SWITCH ASSY.	.1
100	2180777-0	1	WARNING LIGHT, BATTERY CHARGE	.1
110	2180780-0	1	IGNITION SWITCH	.1
120	2179978-0	1	EMERGENCY CUTOFF SWITCH	.1
130	2178760-1	1	HORN AUDIBLE WARNING	.1
140	2181446-0	1	CABLE ASSY. INSTRUMENT 1.5m SOLAS	.1
160	9000183-0	1	RELAY 12V 40A	.1
170	9000817-0	6	CR.REC.COUNT.SUNK HD.TPG.SCR. 3.5x16	.1
200	2181443-0	1	INSTR. PANEL ASSY. 1.5m (LED) SOLAS	.1





TA 0610

**SE186E38  
MARINE**

SCC 2 -DISPLAY (STEYR CONTROL CENTER)

06106184-4



**SCC 2 -DISPLAY (STEYR CONTROL CENTER)**

**SE186E38  
MARINE**

06106184-4

Pos.	Part.-No.	Qty	Designation	Step
10	800732	1	SCC 2 STANDARD MARINE (PROGRAMMED)	.1
20	702184	1	CONNECTING HARNESS 0.6M (SCC2)	.1
30	702834	1	CONNECTING HARNESS 1.5M (SCC2)	.1



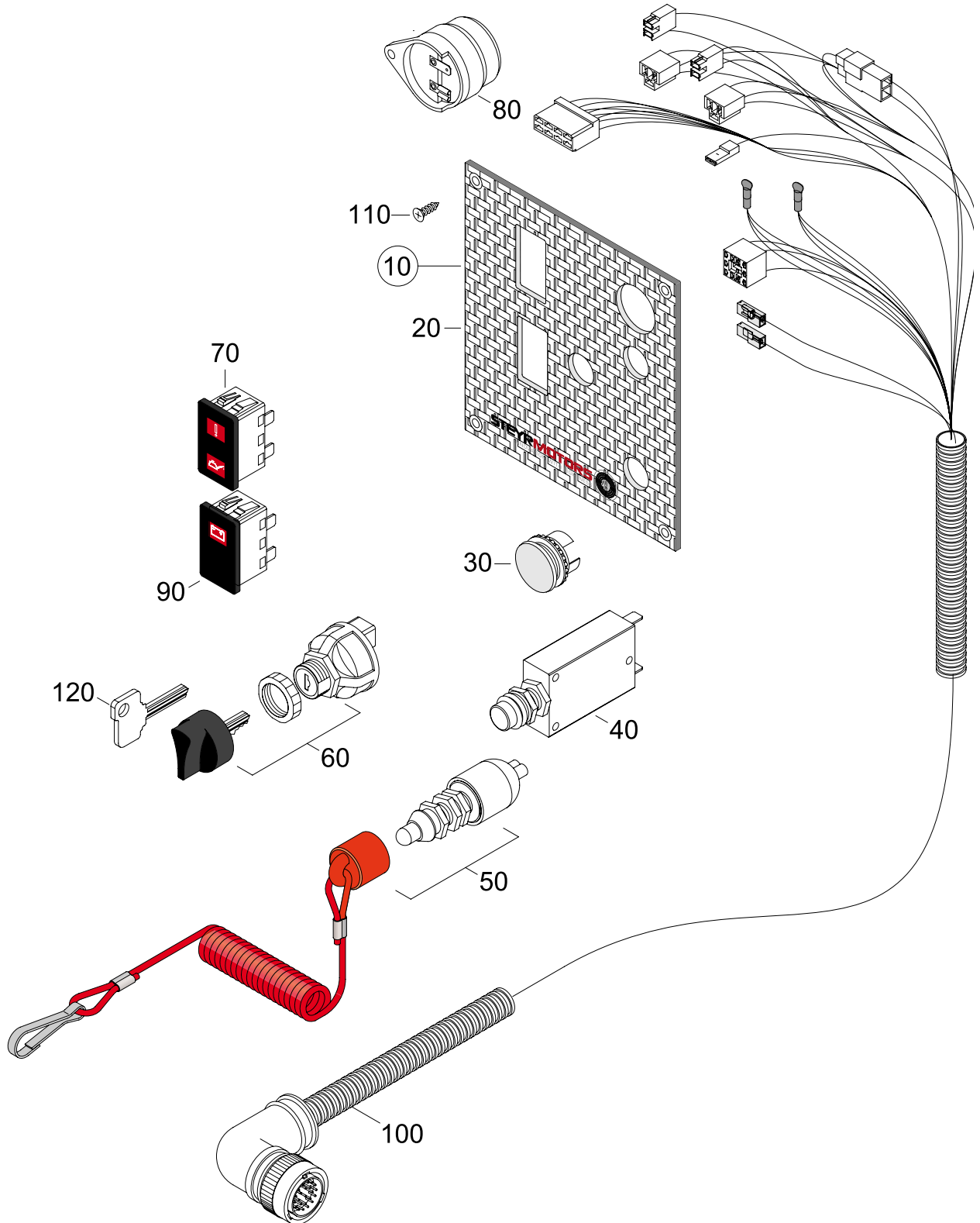


TA 0611

**SE186E38**  
**MARINE**

## SCC KEY IGNITION PANEL

06112184-1



<b>SCC KEY IGNITION PANEL</b>	<b>SE186E38 MARINE</b>
-------------------------------	----------------------------

06112184-1

Pos.	Part.-No.	Qty	Designation	Step
10	2179966-0	1	SWITCH PANEL ASSY. (LED) (SCC)	.1
20	2179983-0	1	FRONT PLATE, SWITCH PANEL	.2
30	2179320-0	1	BLIND PLUG	.2
40	Z002180-0	1	THERMO PROTECTION SWITCH ASSY.	.2
50	2179978-0	1	EMERGENCY CUTOFF SWITCH	.2
60	2179975-0	1	GLOW-START SWITCH	.2
70	Z002196-0	1	WARNING LIGHT, OIL PRESSURE & CHECK ENG.	.2
80	2178760-1	1	HORN AUDIBLE WARNING	.2
90	Z002197-0	1	WARNING LIGHT, BATTERY CHARGE	.2
100	2180076-0	1	CABLE ASSY. SWITCH PANEL	.2
110	9000817-0	4	CR.REC.COUNT.SUNK HD.TPG.SCR. 3.5x16	.2
120	2181496-0	1	IGNITION KEY, BLANK PART	.2



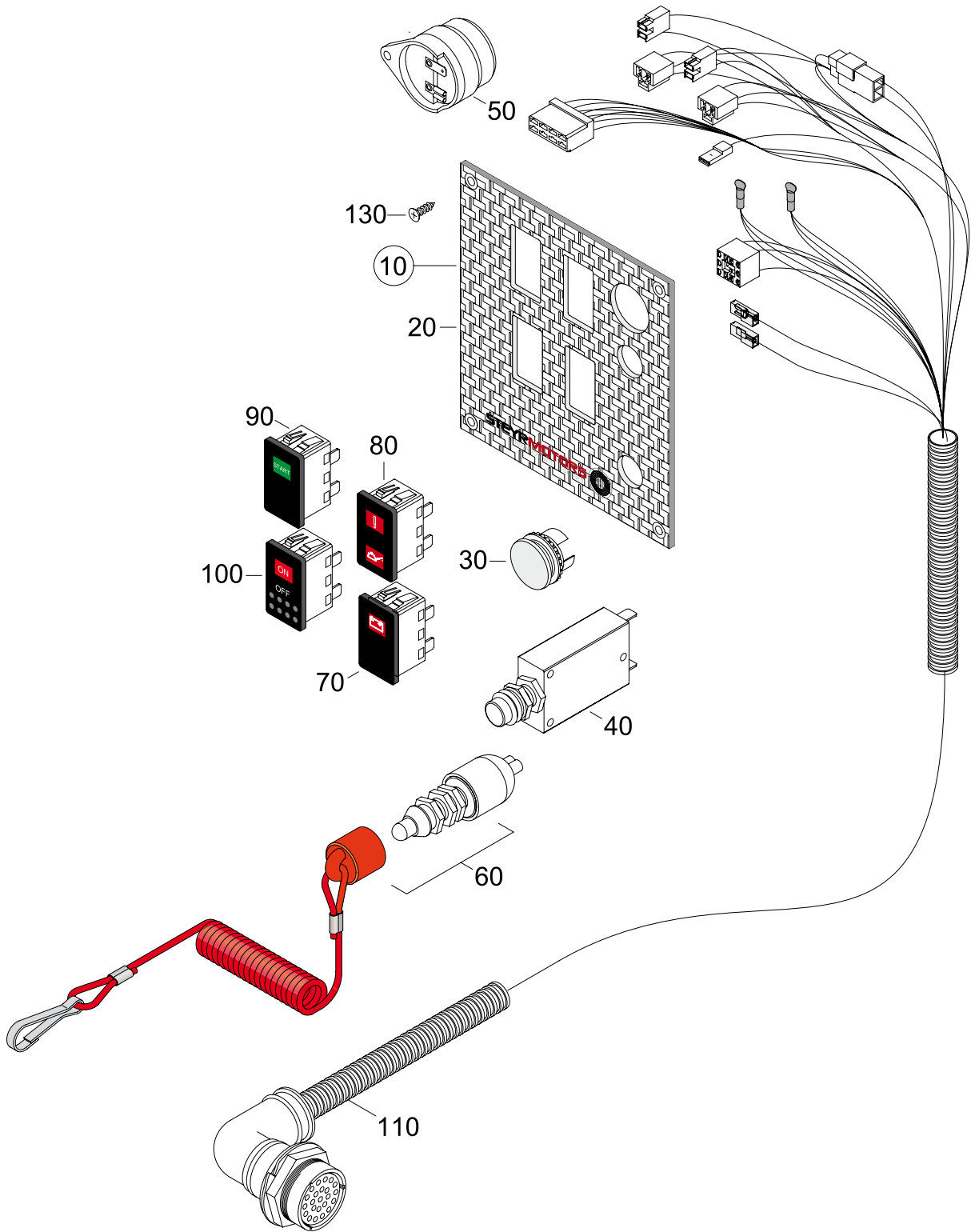


TA 0612

**SE186E38**  
**MARINE**

## SCC PUSH BUTTON IGNITION PANEL

06122184-1



SCC PUSH BUTTON IGNITION PANEL

**SE186E38**  
**MARINE**

06122184-1

Pos.	Part.-No.	Qty	Designation	Step
10	2179967-0	1	PUSH BUTTON PANEL (LED) SOLAS (SCC)	.1
20	2179984-0	1	FRONT PLATE, PUSH BUTTON PANEL	.2
30	2179320-0	1	BLIND PLUG	.2
40	Z002180-0	1	THERMO PROTECTION SWITCH ASSY.	.2
50	2178760-1	1	HORN AUDIBLE WARNING	.2
60	2179978-0	1	EMERGENCY CUTOFF SWITCH	.2
70	Z002197-0	1	WARNING LIGHT, BATTERY CHARGE	.2
80	Z002196-0	1	WARNING LIGHT, OIL PRESSURE & CHECK ENG.	.2
90	Z002198-0	1	START SWITCH, GREEN	.2
100	Z002199-0	1	IGNITION SWITCH	.2
110	2180077-0	1	CABLE ASSY.PUSH-BUTTON PANEL	.2
130	9000817-0	4	CR.REC.COUNT.SUNK HD.TPG.SCR. 3.5x16	.2





TA 0613

**SE186E38**  
**MARINE**

**EXTENSION CABLE INSTRUMENTS**

06136184-0

10 / 20 / 30



40



50



60 / 70 / 80



<b>EXTENSION CABLE INSTRUMENTS</b>	<b>SE186E38</b> <b>MARINE</b>
------------------------------------	----------------------------------

06136184-0

Pos.	Part.-No.	Qty	Designation	Step
10	2181510-0	1	EXTENSION CABLE 2.5m	.1
20	2206291-0	1	EXTENSION CABLE 6.3m	.1
30	2206291-2	1	EXTENSION CABLE 10m	.1
40	501023	1	SPARE PART KIT, Y-CABLE FLY BRIDGE	.1
50	Z002410-0	1	CABLE-PLUG PAIR COMPL. INCL. PINS	.1
60	2206291-1	1	INTERMEDIATE CABLE 5m (ONLY FOR SOLAS PANEL)	.1
70	2206324-0	1	INTERMEDIATE CABLE 10m (ONLY FOR SOLAS PANEL)	.1
80	2206291-8	1	INTERMEDIATE CABLE 12m (ONLY FOR SOLAS PANEL)	.1



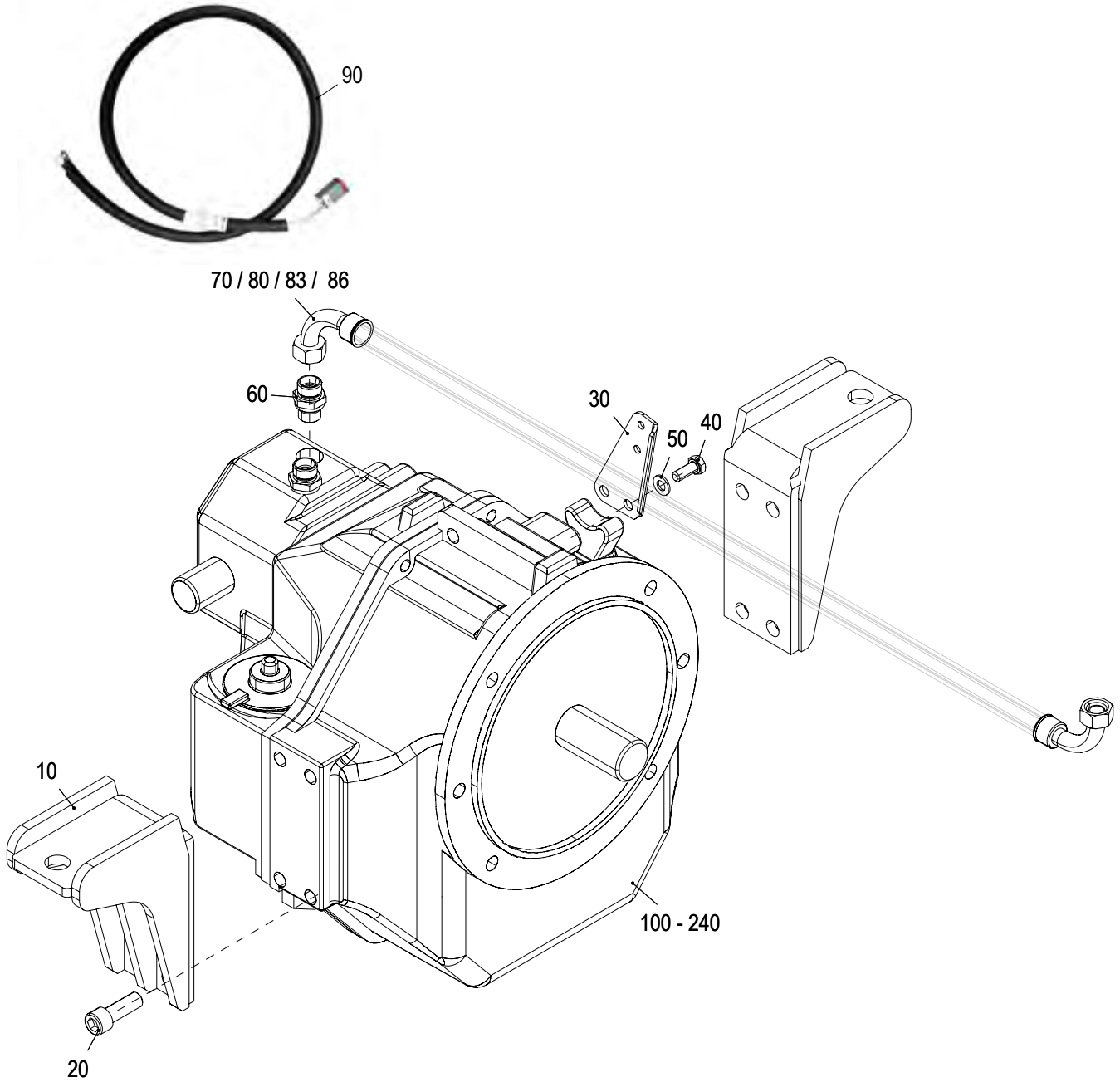


TA 0700

**SE186E38**  
**MARINE**

TRANSMISSION, BRACKETS, PIPES - ZF68

07006284-0



TRANSMISSION, BRACKETS, PIPES - ZF68

**SE186E38**  
**MARINE**

07006284-0

Pos.	Part.-No.	Qty	Designation	Step
10	2178710-V	2	BRACKET GEAR-BOX DOWN ANGLE	.1
20	9000081-0	8	HEX.SCR.ISO4762-M12x35-8.8-FLZNNC-720H-L	.1
30	2178711-9	1	BRACKET SHIFT CABLE (RAL9006)	.1
40	3800224-0	2	HEX.HD.SCR. ISO 4017-M8x20-A4-70	.1
50	3930103-0	2	WASHER ISO 7089-8-A4-200HV	.1
60	Z011655-0	2	THREADED SOCKET 3/8NPT-M18x1.5	.1
70	2181242-0	1	OIL HOSE L=1000mm (55°)	.1
80	2178732-0	1	OIL HOSE L=825mm (55°)	.1
83	2181305-0	1	OIL HOSE L=825mm (180°)	.1
86	2178731-0	1	OIL HOSE L=690mm (55°)	.1
90	2180915-0	1	HARNESS GEAR-SWITCH	.1
100	802560	1	GEARBOX ASSY. ZF68A I=1.56 (RAL9006)	.1
110	802561	1	GEARBOX ASSY. ZF68A I=2.04 (RAL9006)	.1
120	802562	1	GEARBOX ASSY. ZF68A I=2.52 (RAL9006)	.1
130	802559	1	GEARBOX ASSY. ZF68A I=1.22 (RAL9006)	.1
140	802563	1	GEARBOX ASSY. ZF68A I=2.70 (RAL9006)	.1
150	802461	1	GEARBOX ASSY. ZF68 I=1.51 (RAL9006)	.1
160	802463	1	GEARBOX ASSY. ZF68 I=2.48 (RAL9006)	.1
170	802465	1	GEARBOX ASSY. ZF68 I=2.78 (RAL9006)	.1
180	802466	1	GEARBOX ASSY. ZF68 I=1.93 (RAL9006)	.1
190	802467	1	GEARBOX ASSY. ZF68 I=1.25 (RAL9006)	.1
195	802470	1	GEARBOX ASSY. ZF68 I=1.75 (RAL9006)	.1
200	802567	1	GEARBOX ASSY. ZF68IV I=2.00 (RAL9006)	.1
210	802568	1	GEARBOX ASSY. ZF68IV I=2.48 (RAL9006)	.1
220	802565	1	GEARBOX ASSY. ZF68IV I=1.29 (RAL9006)	.1
230	802566	1	GEARBOX ASSY. ZF68IV I=1.56 (RAL9006)	.1
240	2179500-9	1	GEARBOX ASSY. ZF63C I=1 (RAL9006)	.1



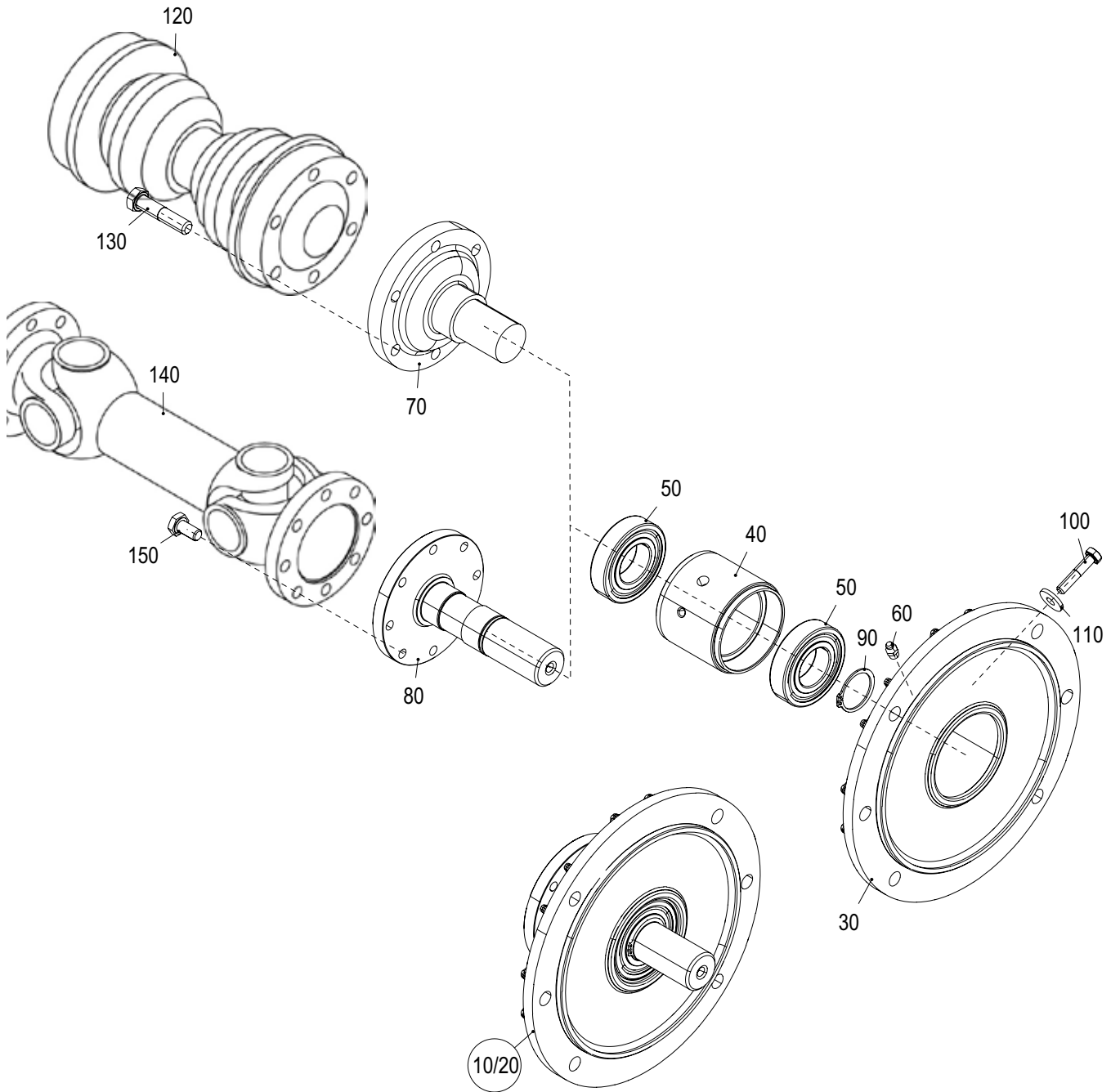


TA 0701

**SE186E38**  
**MARINE**

**TRANSMISSION SHAFT, PTO SHAFT (ALU)**

07016184-0



**TRANSMISSION SHAFT, PTO SHAFT (ALU)**
**SE186E38  
MARINE**

07016184-0

Pos.	Part.-No.	Qty	Designation	Step
10	Z002098-0	1	ADAPTER SHAFT ASSY. - 6-HOLES (RAL9006)	.1
20	Z002099-0	1	ADAPTER SHAFT ASSY. - 8-HOLES (RAL9006)	.1
30	2178815-1	1	ADAPTER HOUSING JET (ALU CASTING)	..2
40	2179328-0	1	BEARING RETAINER	..2
50	3311181-0	2	DEEP GROOVE BALL BEARING DIN 625-RS1	..2
60	3963112-0	1	LUBRICATING NIPPLE DIN 71412-AM8x1-A3F	..2
70	2178814-0	1	ADAPTER SHAFT ENGINE-PROP. (6-HOLES)	..2
80	2178814-1	1	ADAPTER SHAFT ENGINE-PROP. (8-HOLES)	..2
90	3933251-0	1	RETAINING RING SHAFT DIN 471-35x1.5	..2
100	3802442-0	2	HEX.SCR.ISO 4017-M8x40-8.8-FLZNNC-720H-L	..2
110	O125134-0	2	WASHER LARGE	..2
120	2178836-1	1	PROPELLER SHAFT SHORT L=210 +/-24mm	.1
130	9000198-0	6	HEX.HD.BOLT ISO 4014-M12x65-8.8-A3K	.1
140	2178836-0	1	SLIDING SHAFT LONG L=354mm +70	.1
150	3802515-0	8	HEX.SCR.ISO4017-M10x20-8.8-FLZNNC-720H-L	.1



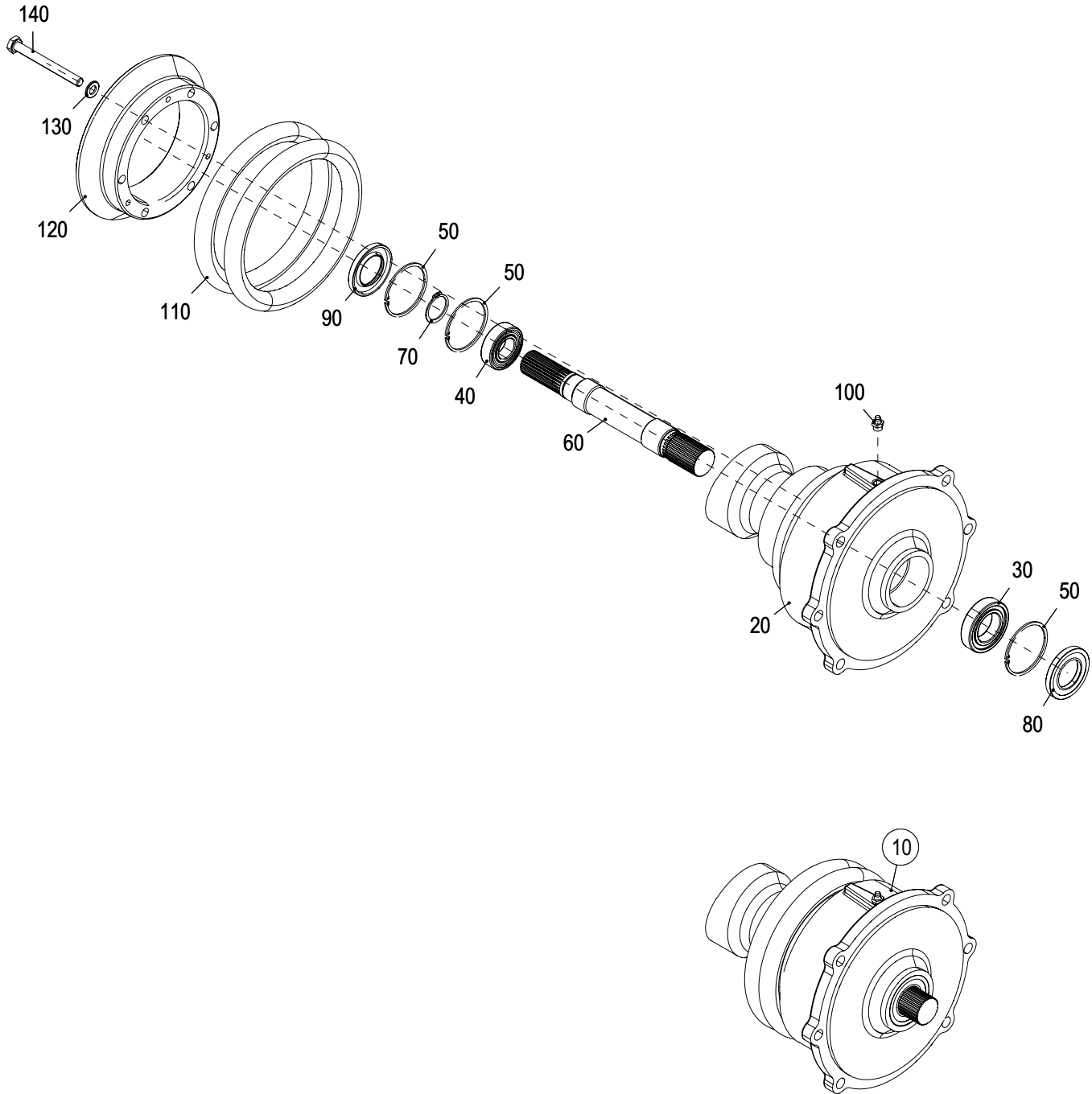


TA 0720

**SE186E38**  
**MARINE**

**DRIVE ADAPTOR VOLVO STERNDRIVE**

07206084-0



**DRIVE ADAPTOR VOLVO STERNDRIVE****SE186E38  
MARINE**

07206084-0

<b>Pos.</b>	<b>Part.-No.</b>	<b>Qty</b>	<b>Designation</b>	<b>Step</b>
10	2178819-0	1	ADAPTER VOLVO STERN DRIVE (RAL9006)	.1
20	2178817-0	1	ADAPTERHSG. VOLVO STERN DRIVE	.2
30	9000152-0	1	DEEP GROOVE BALL BEARING DIN 625-6007	.2
40	3311018-0	1	DEEP GROOVE BALL BEARING DIN 625-6206	.2
50	3934310-0	3	CIRCLIP DIN 472-62x2	.2
60	2178818-0	1	ADAPTER SHAFT VOLVO STERN DRIVE	.2
70	3933200-0	1	EXTERIOR CIRCLIP DIN 471-30x1.5	.2
80	9000153-0	1	RADIAL SEALING RING DIN 3760-35x62x7-AS	.2
90	9000153-1	1	RADIAL SEALING RING DIN 3760-35x62x7-A	.2
100	3963124-0	1	LUBRICATING NIPPLE DIN 71412-AM10x1-A3F	.2
110	2178821-0	2	O-RING 155 X 22	.2
120	2178820-0	1	FLANGE VOLVO STERN-DRIVE	.2
130	3930075-0	6	WASHER ISO 7089-10-A4-200HV	.2
140	9000185-1	6	HEX.SOCK. SCR. ISO 4017-M10x100-A2-70	.2



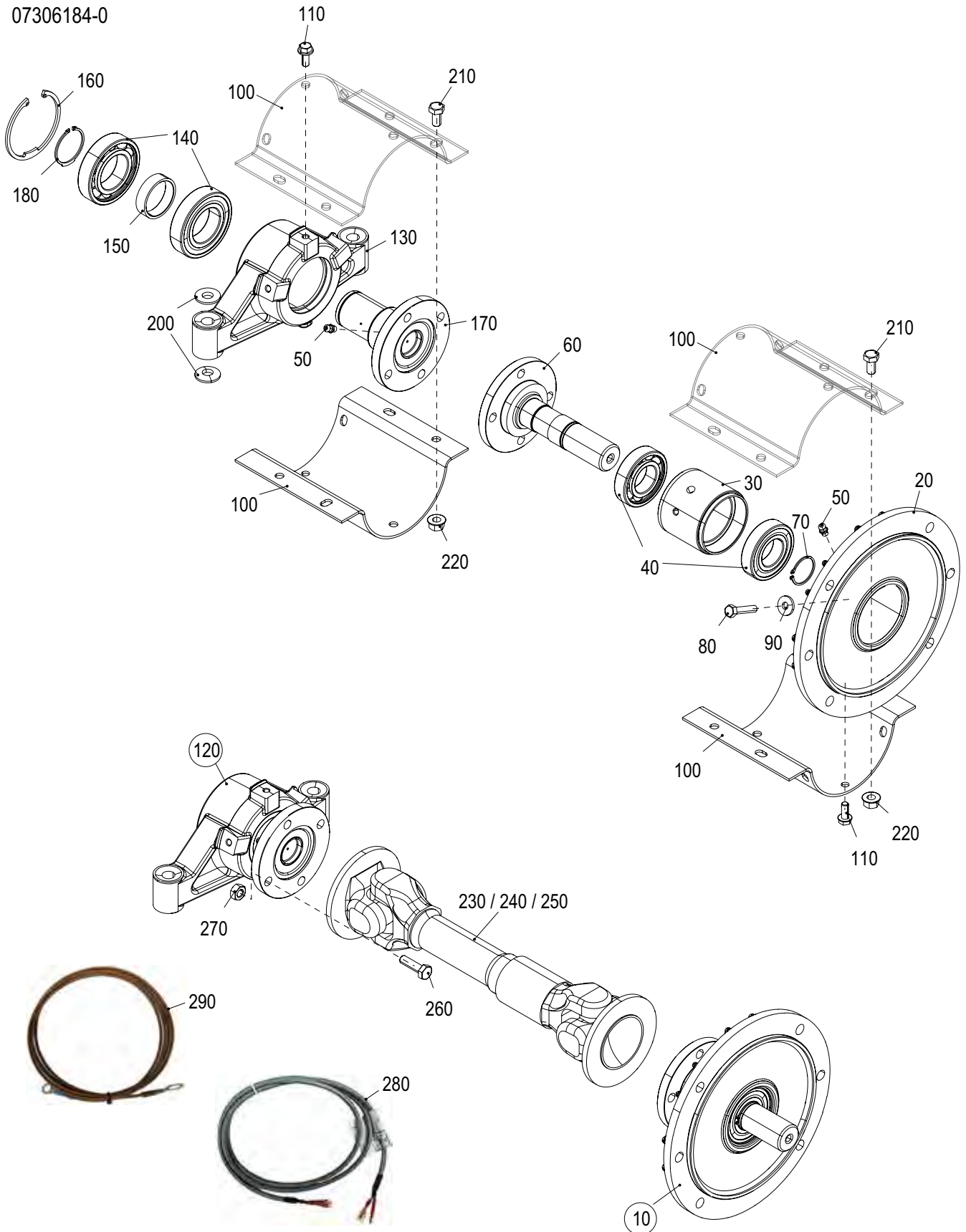


TA 0730

## SE186E38 MARINE

### DRIVE SHAFT EXTENSION MERCURY STERNDRIVE

07306184-0



<b>DRIVE SHAFT EXTENSION MERCURY STERNDRIVE</b>	<b>SE186E38 MARINE</b>
---	----------------------------

07306184-0

Pos.	Part.-No.	Qty	Designation	Step
10	Z002116-0	1	ADAPTER SHAFT ASSY. - MERCURY (RAL9006)	.1
20	Z002117-0	1	ADAPTER HOUSING (RAL9006) (ALU CASTING)	.2
30	2179328-0	1	BEARING RETAINER	.2
40	3311181-0	2	DEEP GROOVE BALL BEARING DIN 625-RS1	.2
50	3963112-0	2	LUBRICATING NIPPLE DIN 71412-AM8x1-A3F	.2
60	2178814-2	1	ADAPTER SHAFT (MERCURY)	.2
70	3933251-0	1	RETAINING RING SHAFT DIN 471-35x1.5	.2
80	3802442-0	2	HEX.SCR.ISO 4017-M8x40-8.8-FLZNNC-720H-L	.2
90	O125134-0	2	WASHER LARGE	.2
100	2179273-0	4	COVER PLATE	.1
110	9000305-0	6	BOLT EN1665-M8x20-10.9-FLZNNC-720H-L	.1
120	Z002118-0	1	BEARING BLOCK DRIVE SH. MERC.(RAL9006)	.1
130	Z002119-0	1	BEARING BLOCK DRIVE SH. MERC. (RAL9006)	.2
140	9000486-0	2	DEEP GROOVE BALL BEARING DIN 625-6209	.2
150	2179271-0	1	DISTANCE PLATE	.2
160	9000403-0	1	RETAINING RING BORE DIN 472-85x3	.2
170	Z002120-0	1	SHAFT-FLANGE DRIVE SHAFT MERC.	.2
180	3933350-0	1	RETAINING RING SHAFT DIN 471-45x1.75-BL	.2
200	2179274-0	4	WASHER SPHERIC	.1
210	3802515-0	8	HEX.SCR.ISO4017-M10x20-8.8-FLZNNC-720H-L	.1
220	9000052-0	8	HEX. NUT DIN 6927-M10-8-GEO321+VL 720H	.1
230	Z002079-0	1	DRIVE SHAFT L=432mm & SCREWS	.1
240	Z002080-0	1	DRIVE SHAFT L=1000mm & SCREWS	.1
250	Z002081-0	1	DRIVE SHAFT L=1500mm & SCREWS	.1
260	900634	8	HX.SR.ISO4017-M10x30-10.9-FLZNNC-720H-L	.2
270	900635	8	HEX.NUT DIN 934-M10-10.9-FLZNNC-720H-L	.2
280	2179352-0	1	EXTENSION CABLE - TRIMSENSOR 1.5m	.1
290	2179353-0	1	GROUND WIRE FLYW.HSG-TRANSOM 1.8m	.1



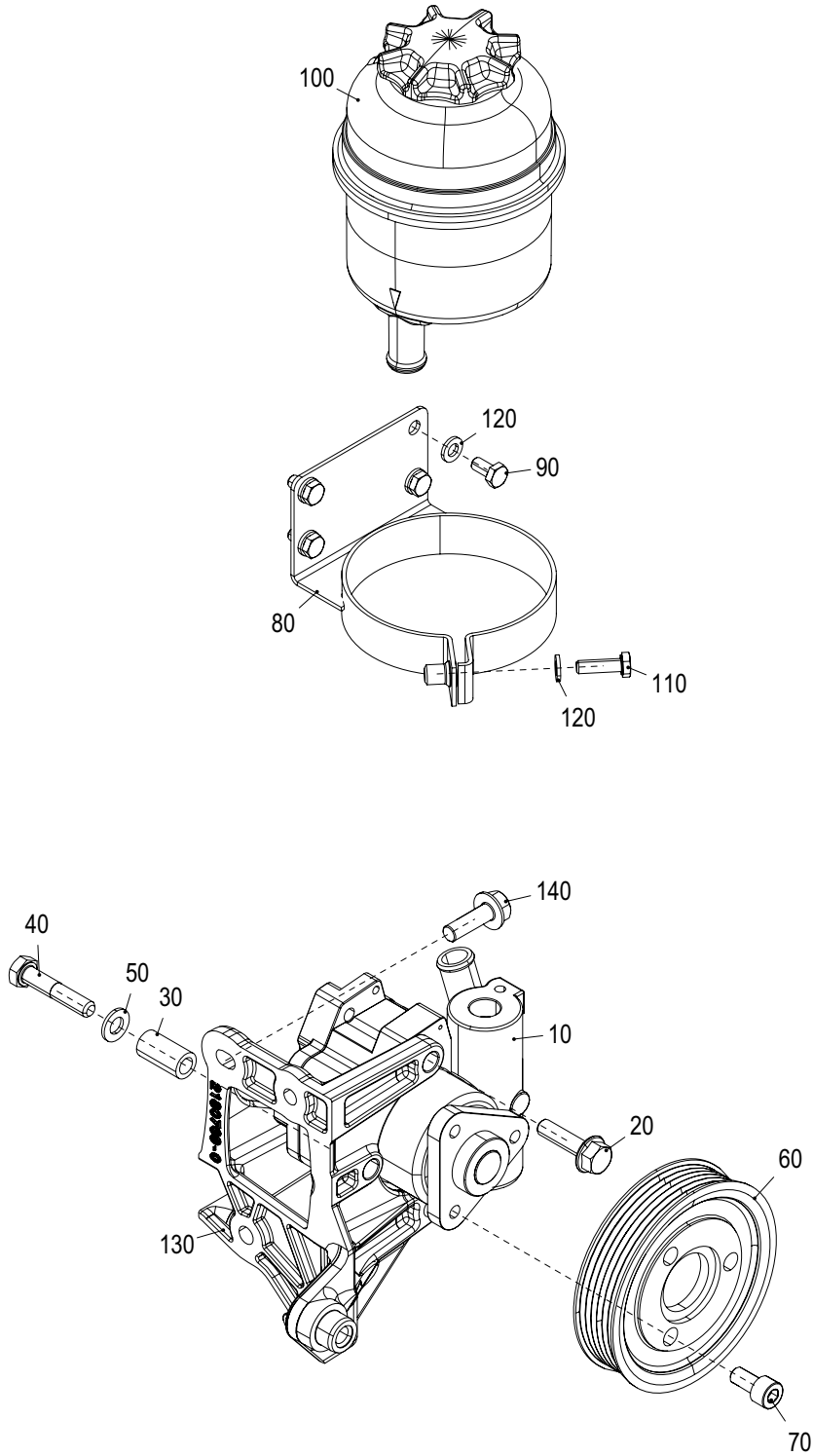


TA 1408

**SE186E38**  
**MARINE**

**HYDRAULIC PUMP**

14086284-0



<h2>HYDRAULIC PUMP</h2>	<b>SE186E38</b> <b>MARINE</b>
-------------------------	----------------------------------

14086284-0

Pos.	Part.-No.	Qty	Designation	Step
10	2203712-9	1	POWER STEERING PUMP (RAL9006)	.1
20	9000431-0	3	BOLT EN1665-M8x30-10.9-FLZNNC-720H-L	.1
30	2203750-0	1	CLAMPING SLEEVE PWR.STRG.PUMP	.1
40	3802442-0	1	HEX.SCR.ISO 4017-M8x40-8.8-FLZNNC-720H-L	.1
50	3930103-0	1	WASHER ISO 7089-8-A4-200HV	.1
60	2203743-0	1	PULLEY PWR.STRG.PUMP POLY-V	.1
70	3860152-0	3	HEX.SOCK. SCR. ISO 4762-M8x16-A2-70	.1
80	700807	1	BRACKET, RESERVOIR POWER STEERING PUMP	.1
90	3800238-0	4	HEX.HD.SCR. ISO 4017-M6x12-A4-70	.1
100	2178869-1	1	OILTANK POWER STEERING PUMP	.1
110	3800221-0	1	HEX.HD.SCR. ISO 4017-M6x20-A2-70	.1
120	3930070-0	5	WASHER ISO 7089-6-A4-200HV	.1
130	Z026134-0	1	BRACKET HYDRAULIC PUMP (RAL9006)	.1
140	9000271-0	4	BOLT EN1665-M8x25-10.9-FLZNNC-720H-L	.1



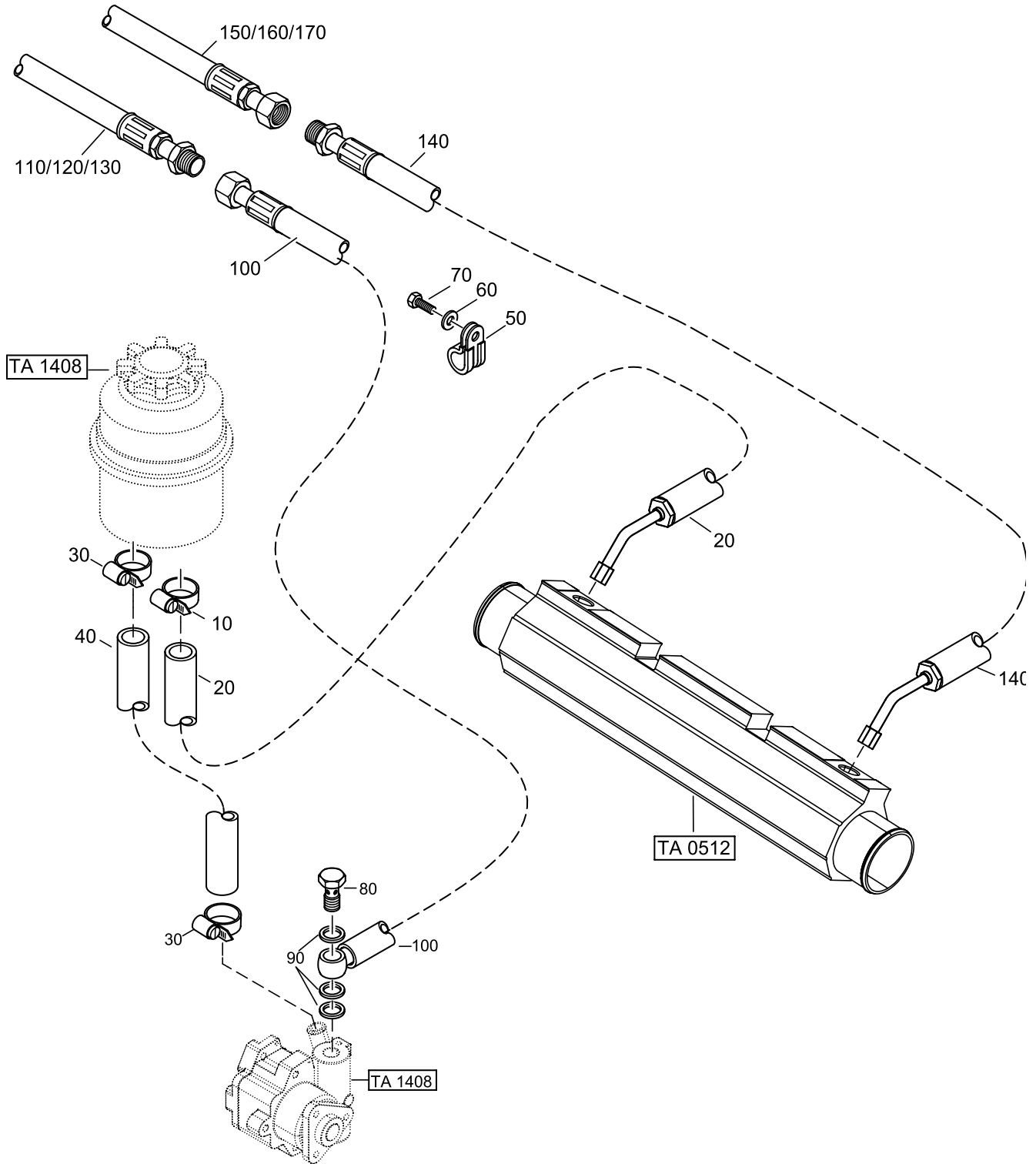


TA 1409

**SE186E38**  
**MARINE**

## HYDRAULIC PIPES

14096284-0







TA 2207

**SE186E38**  
**MARINE**

## ENGINE PREHEATING

22076284-0





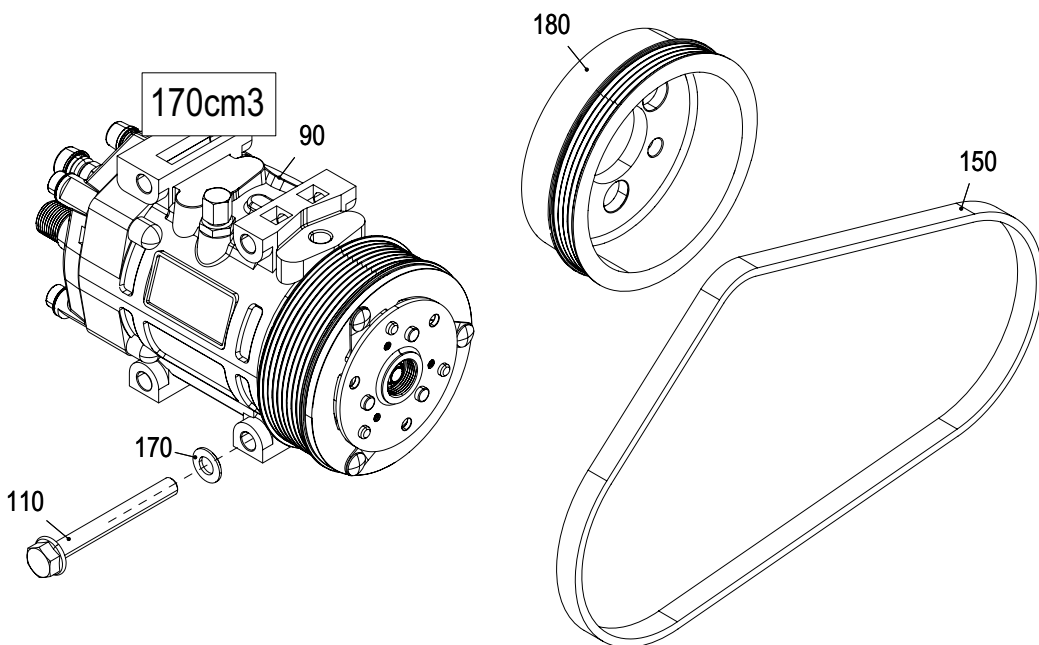
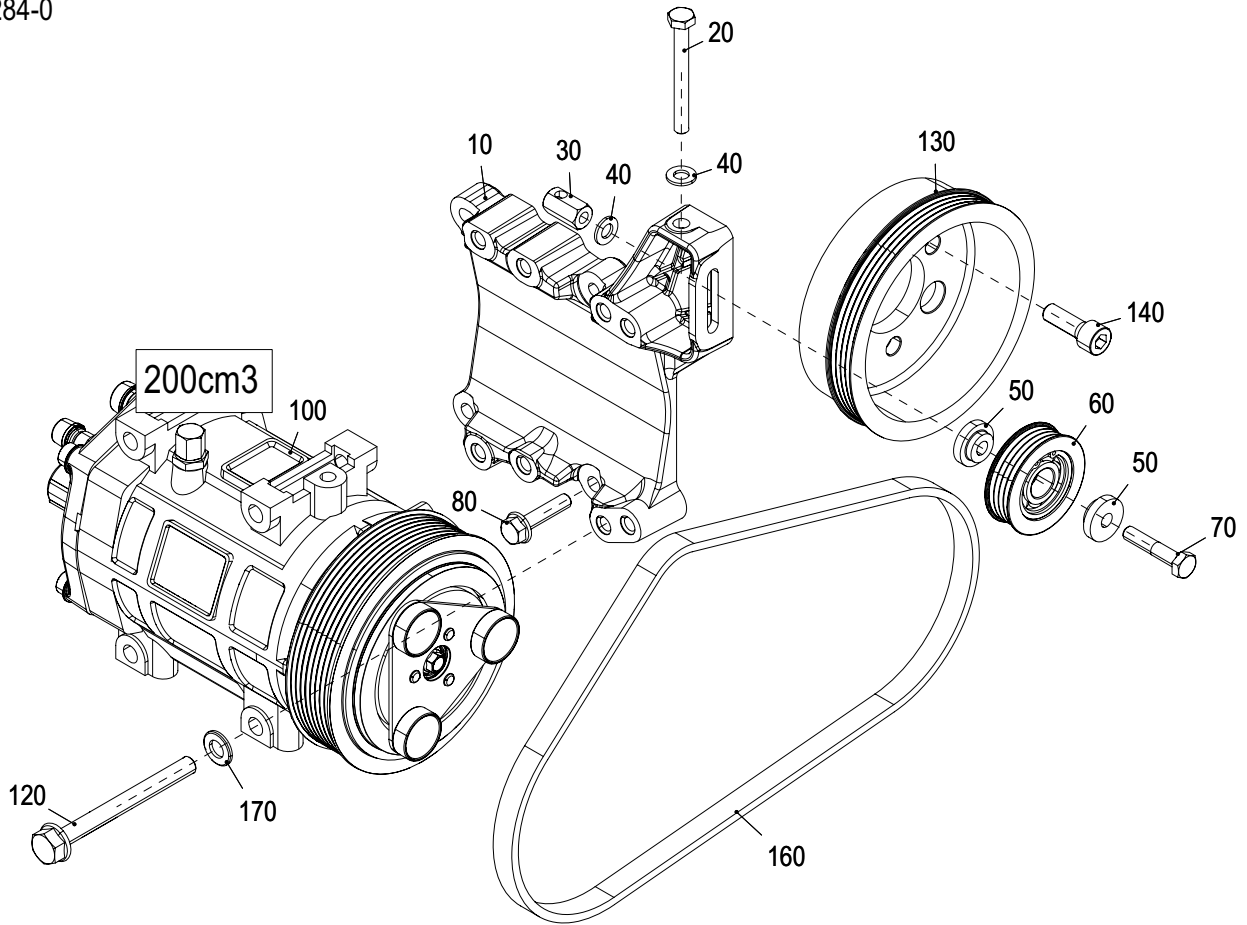


TA 5200

**SE186E38**  
**MARINE**

## AIR CONDITIONING & DRIVE

52006284-0





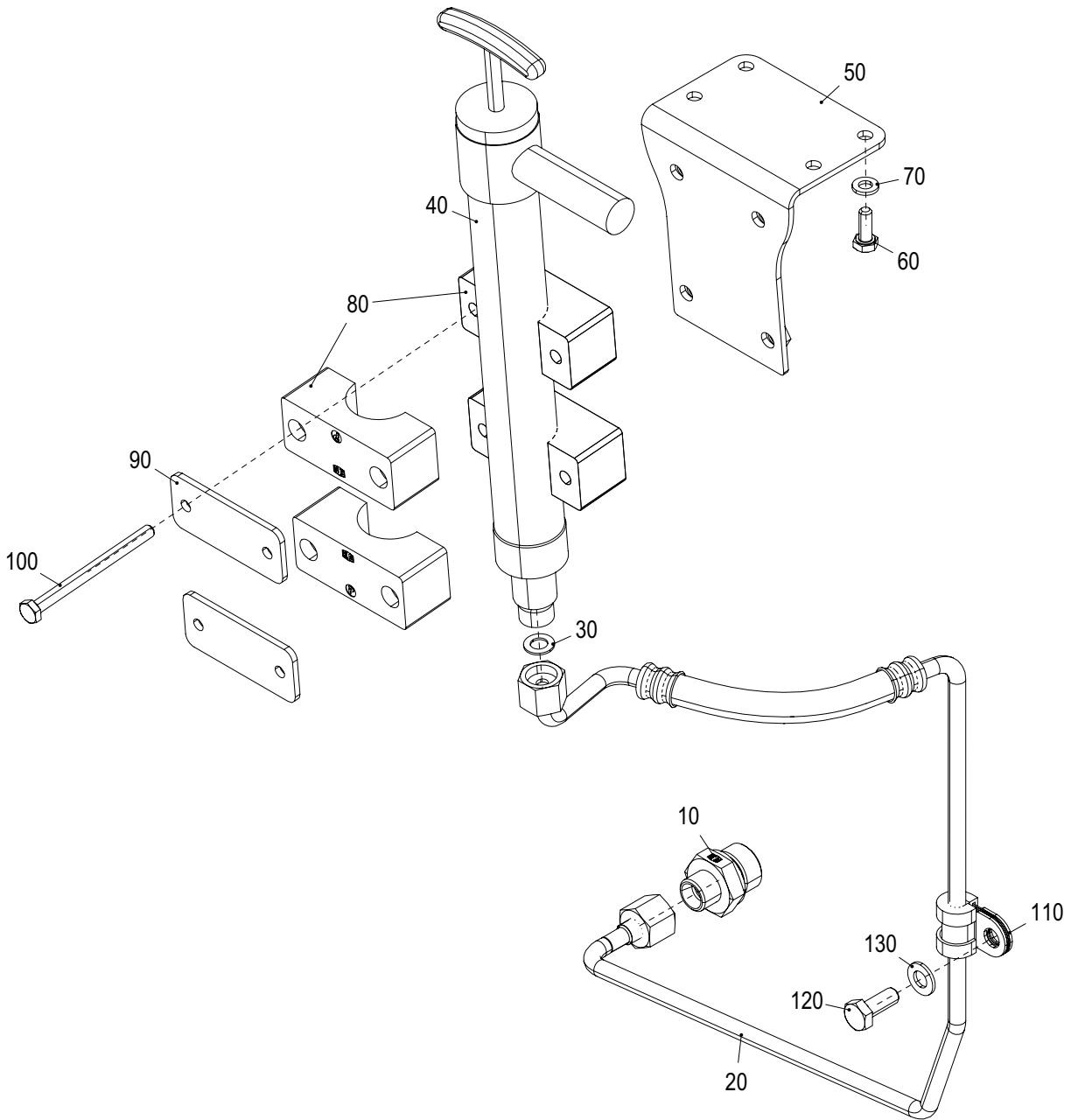


TA 5520

**SE186E38  
MARINE**

**OIL SUCTION PUMP**

55206284-0





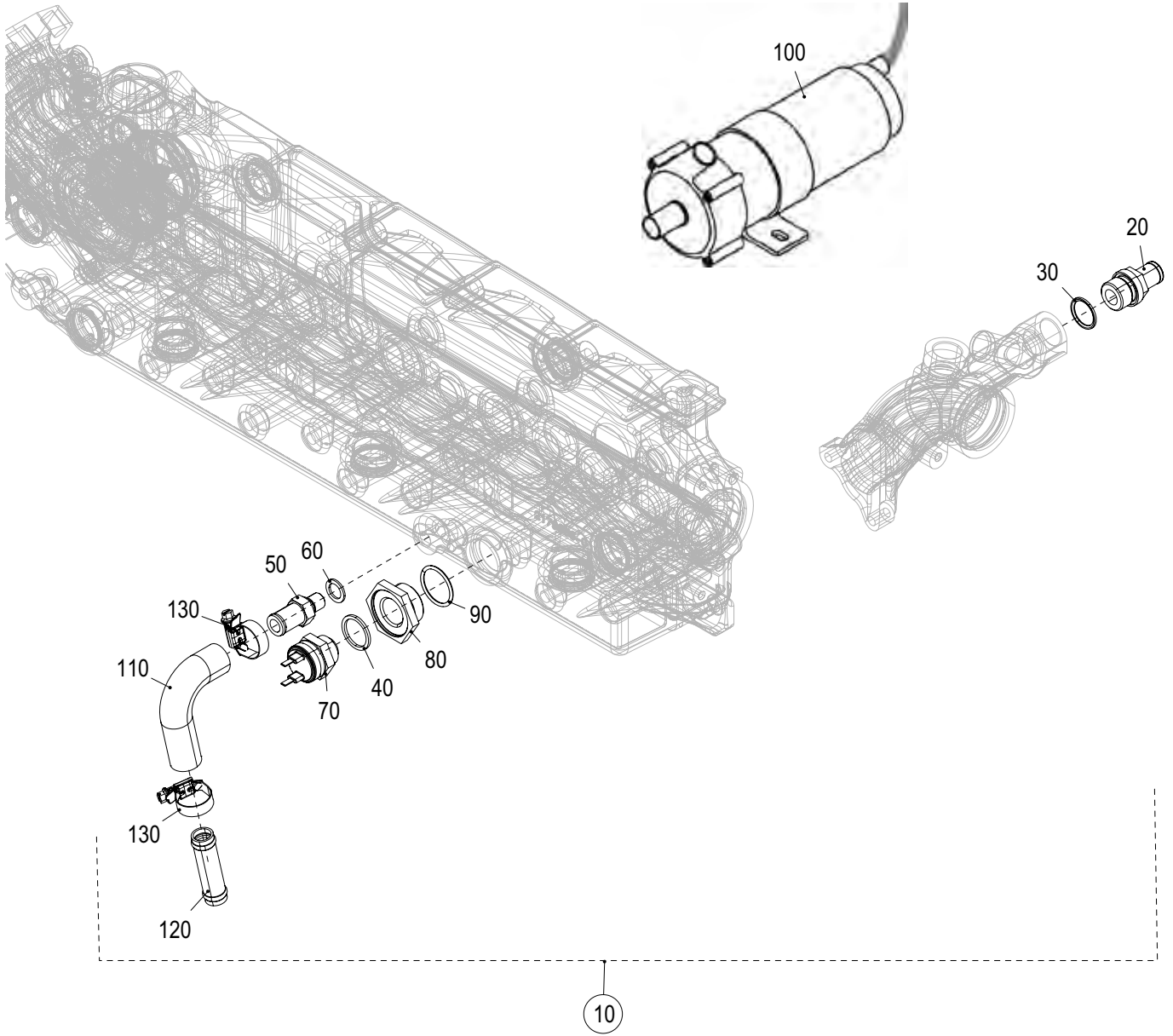


TA 6012

SE186E38  
MARINE

CABIN HEATER, CIRCULATION PUMP

60126284-0







TA 9000

## SE186E38 MARINE

### GENERAL OPERATING MATERIAL

90006000-0

 10	 20	 30	 40
 50	 60	 70	 80
 90	 100	 110	 120
 130	 140	 150	 160
 170	 180	 190	



**GENERAL OPERATING MATERIAL**

**SE186E38  
MARINE**

90006000-0

Pos.	Part.-No.	Qty	Designation	Step
10	9000059-1	50ml	SCREWLOCK COMPOUND, MEDIUM 50ml	.1
20	9000017-1	50ml	SCREWLOCK COMPOUND, HIGHSTRENGTH 50ml	.1
30	9000019-1	50ml	SEAT SEALING COMPOUND, HIGH TEMP. 50ml	.1
40	9000297-0	0,3l	SURFACE SEALING MED. STRENG FLEX. 310ml	.1
50	700428	0,4l	ANTI-SEIZE (SPRAY 400ml)	.1
60	701630	0,4l	SILICONE SPRAY STALOC SQ450 (400ml)	.1
70	9000021-1	0,15l	AKTIVATOR (150ml SPRAY)	.1
80	9000510-0	0,3l	SURFACE SEALING COMPOUND, BLACK 300ml	.1
90	702280	0,5kg	LUBRICANT STALOC BLUE MOLY (500g)	.1
100	50466	1kg	HIGH PERFORMANCE GREASE PASTE 1kg	.1
110	Z010084-0	1kg	STEYR-MOTORS GREASE, HOT BEARINGS (1 KG)	.1
120	706992	0,5kg	PTFE-SPECIAL GREASE (BOTTLE 500g)	.1
130	Z012222-0	1kg	COPPER GREASE 1 KG CAN	.1
140	Z010226-0	0,4l	CORROSION PROTECTION SPRAY (400ml CAN.)	.1
150	702282	0,2kg	CERAMIC PASTE 200g	.1
160	700429	0,4l	PROTECTION WAX (SPRAY 400ml)	.1
170	Z010207-0	0,1l	CONTACT GREASE (100ml TUBE)	.1
180	703074	0,1l	SILICON GREASE (100g TUBE)	.1
190	705442	20g	INJECTOR GREASE (20g TUBE)	.1

