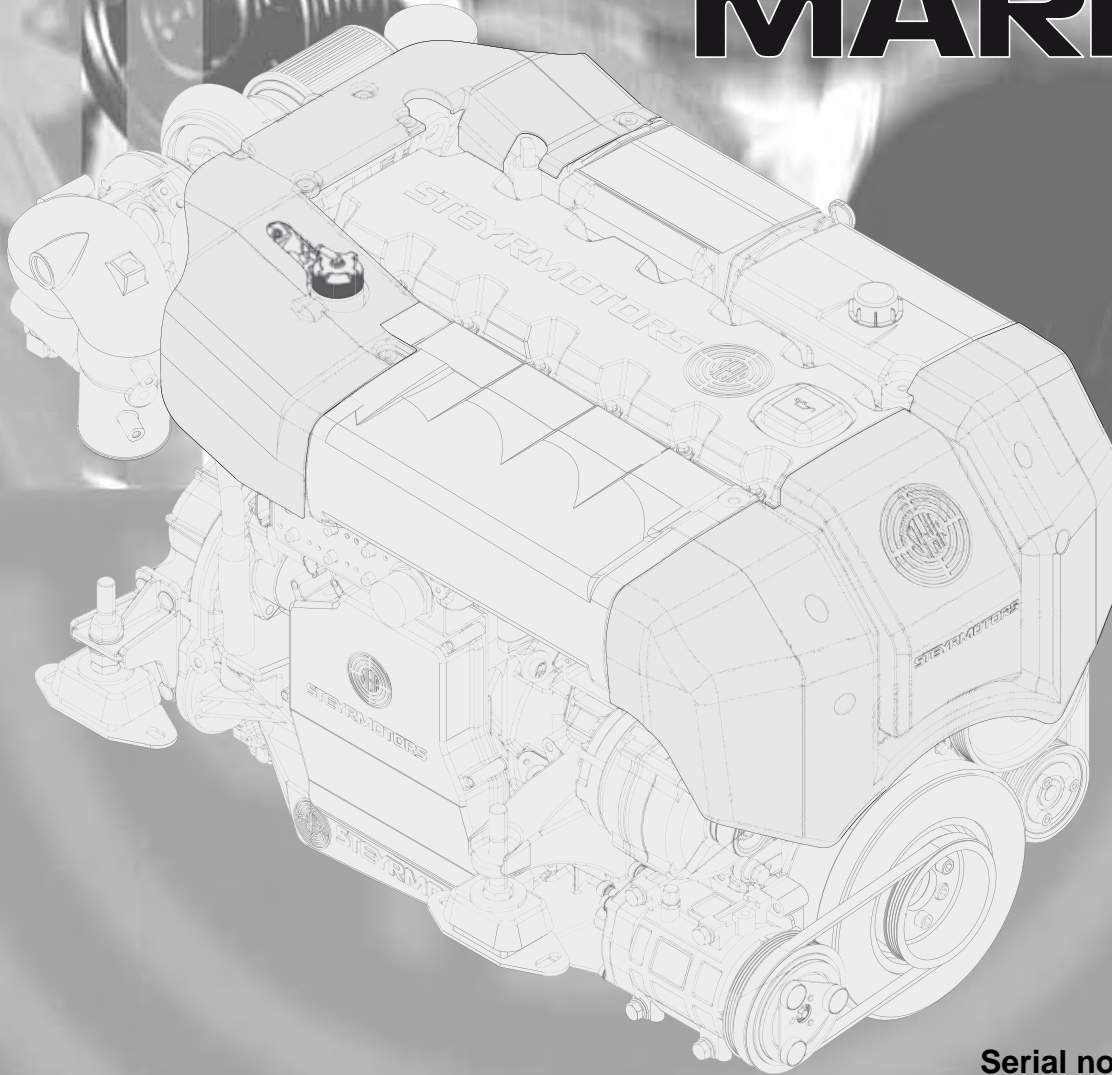


# STEYR MARINE ENGINES

**SE156 E34**  
**MARINE**



Serial no.: 682360001-->

# SPARE PARTS CATALOGUE

P/N 704591 3<sup>rd</sup> Edition, November 2024



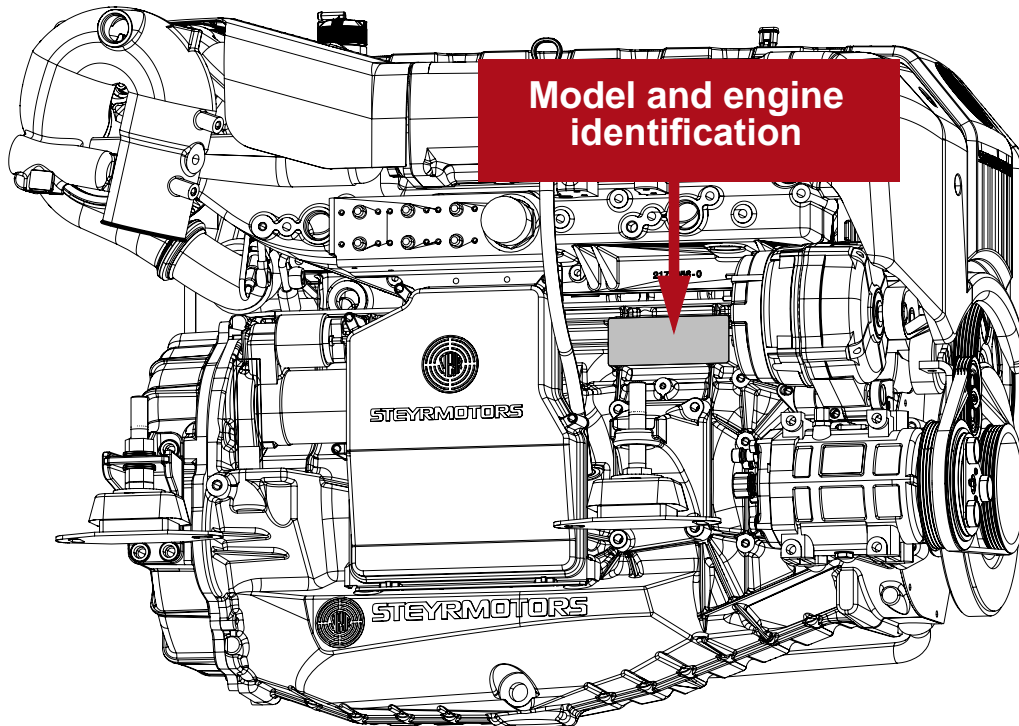
**STEYRMOTORS**



**SE156 E34**  
**MARINE**

When ordering spare parts are always indicate model and engine number.  
This will speed up delivery and help to avoid mistakes.

The primary model and engine number is located on the engine as illustrated. These numbers are required when requesting warranty and ordering parts.



**Substituting automotive or generally supplied parts and hardware will often result in less than desired performance. For this reason, you should insist on the known quality of genuine STEYR Marine matched replacement parts, and should never use parts of unknown quality.**

We reserve the right to make changes in design and execution which incorporate advances in technology!



# SIGNS AND SYMBOLS

1



TA 0101

CYLINDERBLOCK

**SE156E34**  
**MARINE**

2

01014084-0

3	4	5	6	8	9	7
Pos.	Part.-No.	Qty	Designation			Step
10	Z002676-0	1	SPARE PART COVER T-BELT →48226146			.2
20	2203711-1	1	COVER T-BELT, UPPER PART 48226147→			.2
30	9000538-0	3	HEX.FLANGE BOLT EN 1665-M6x50 A2-70			.2

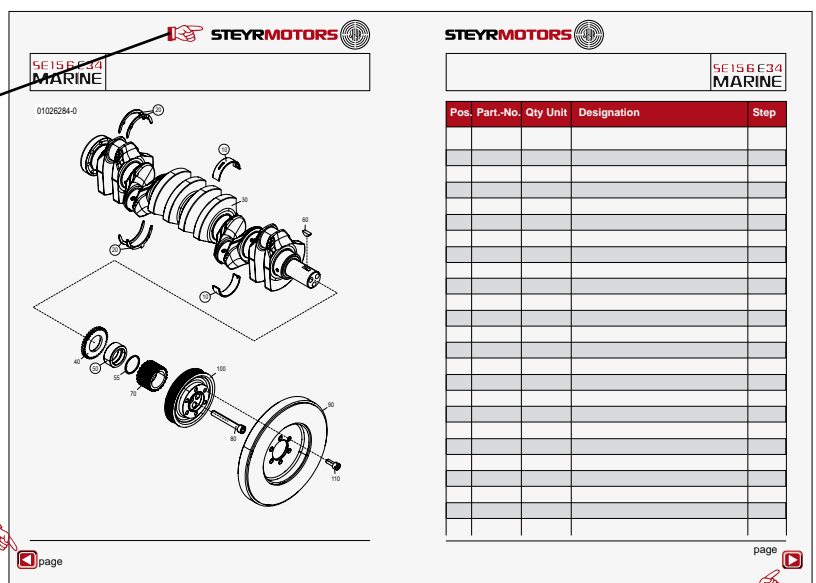
- 1 Table number
- 2 Partlist number for whole table/  
functional groups
- 3 Positions number
- 4 Spare part number
- 5 Quantity for one engine respectively  
assembly group
- 6 Designation and description of spare part
- 7 Groupparts are marked with a circle around the  
position number. Parts in the list below these,  
which had an increased step number by one, will  
be included at delivery.
- 8 → 4..... Arrow before engine number:  
Spare part UNTIL and LOWER
- 9 4..... → Arrow past engine number:  
Spare part FROM and HIGHER

## ACROBAT

... back to "starting point"

... one page back

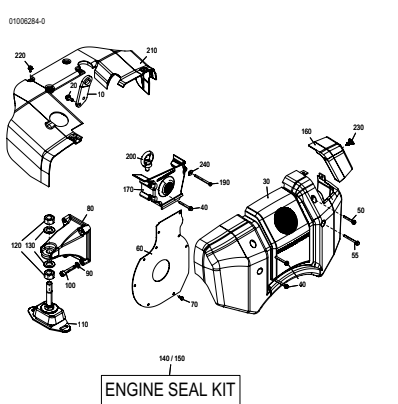

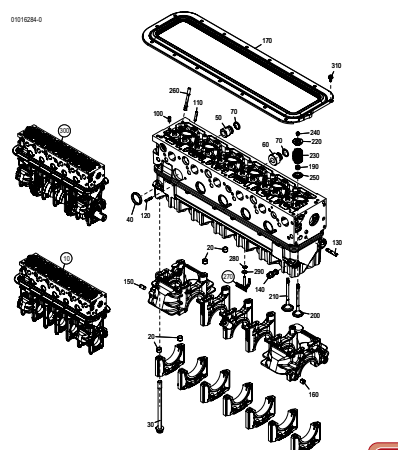

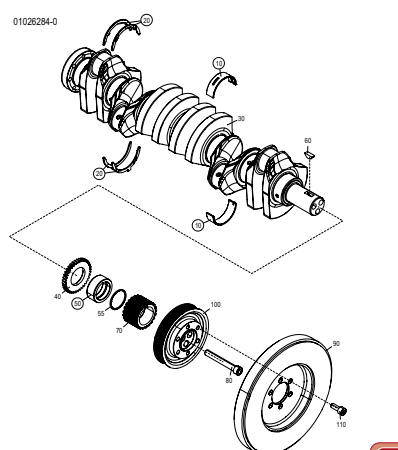

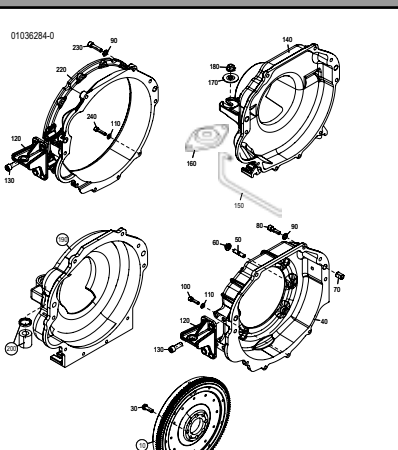

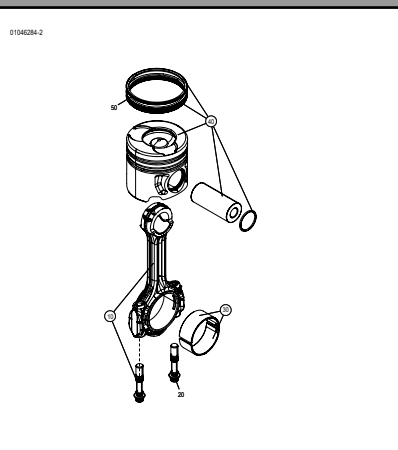

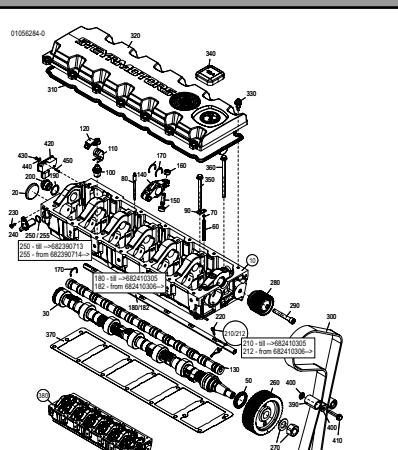

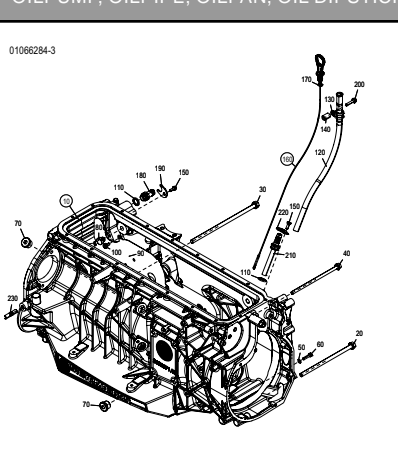

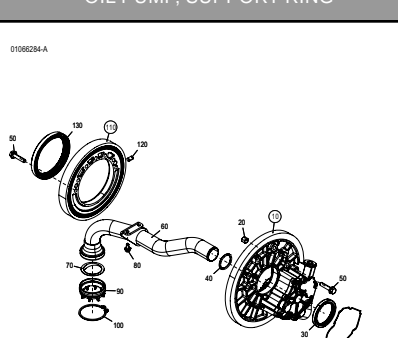

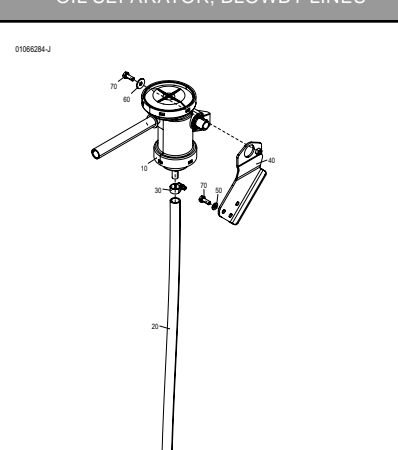

... one page forward



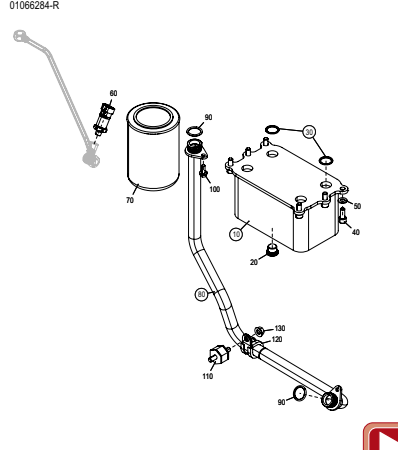

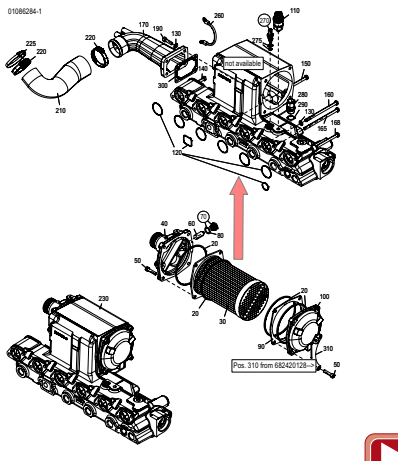

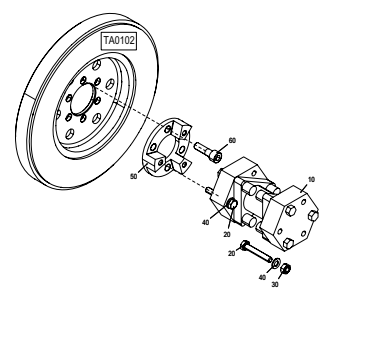

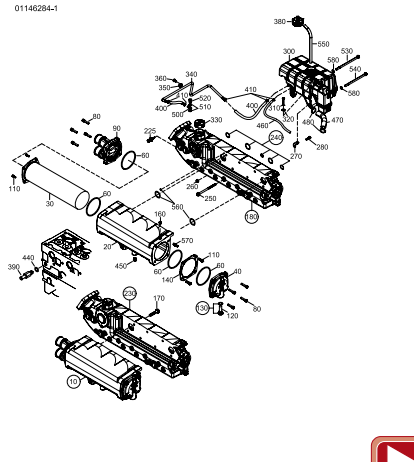

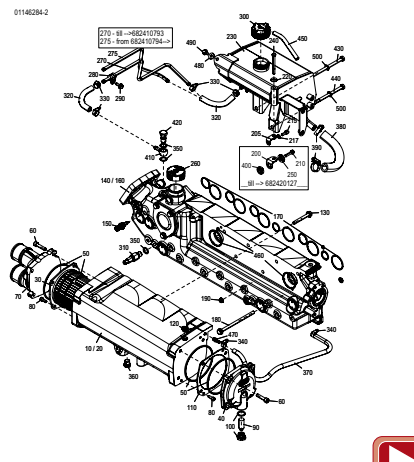

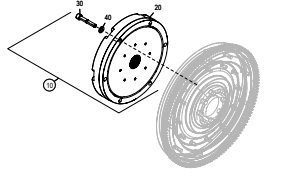

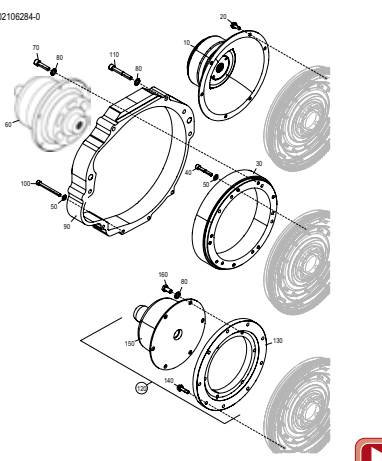

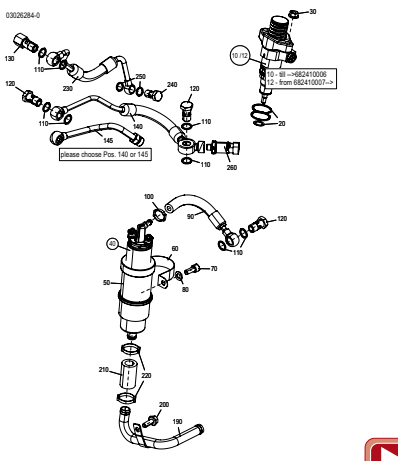

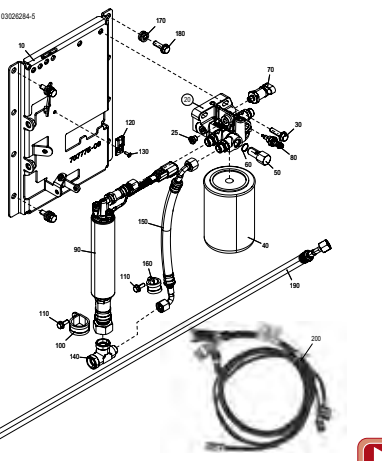



## SE156 E34 MARINE

### TABLE OF CONTENTS - SPARE PARTS CATALOGUE

<p><b>Page 10</b> MOUNT BRACKET, BELT GUARD, GASKET SET</p>  <p>ENGINE SEAL KIT</p> 	<p><b>Page 12</b> CRANKCASE</p>  	<p><b>Page 14</b> CRANKSHAFT, BEARING, DAMPER</p>  
<p><b>Page 16</b> FLYWHEEL, FLYWHEELHOUSING</p>  	<p><b>Page 18</b> PISTON, RINGS AND PIN, CONNECTION ROD</p>  	<p><b>Page 20</b> CAMSHAFT HOUSING</p>  
<p><b>Page 24</b> OILPUMP, OILPIPE, OILPAN, OIL DIPSTICK</p>  	<p><b>Page 26</b> OIL PUMP, SUPPORT RING</p>  	<p><b>Page 28</b> OIL SEPARATOR, BLOWBY LINES</p>  



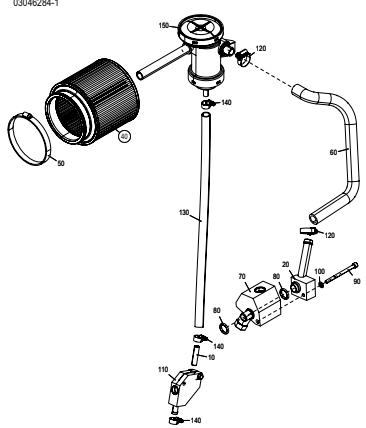

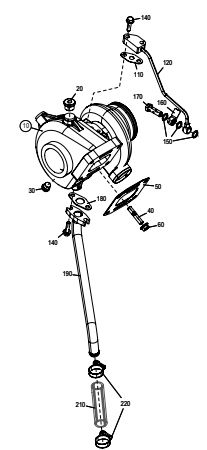

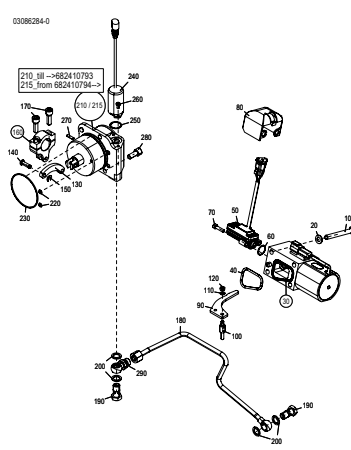

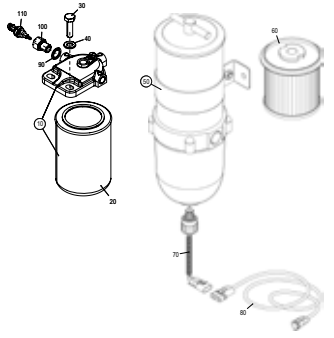

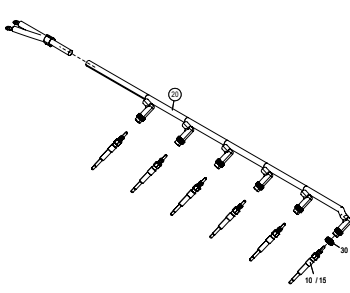

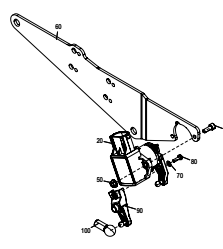

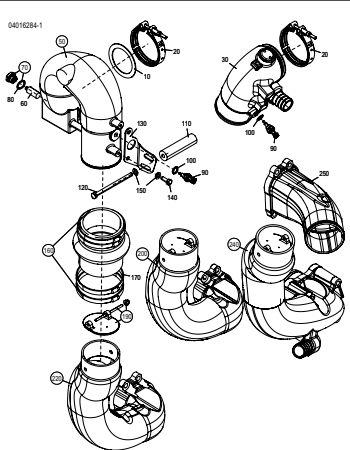

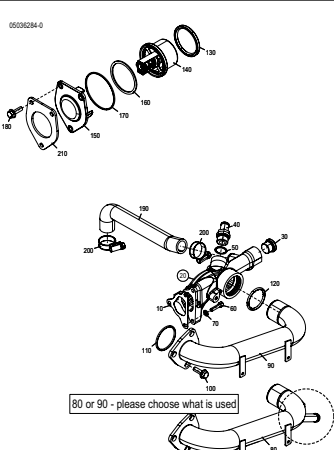

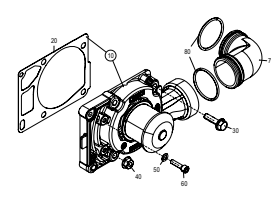

<p><b>Page 30</b> OIL COOLER, OILFILTER, OIL LINES</p> <p>01066284-R</p>  	<p><b>Page 32</b> INTERCOOLER</p> <p>01086284-1</p>  	<p><b>Page 34</b> POWER TAKE OFF FRONT</p> <p>01096184-0</p>  
<p><b>Page 36</b> EXHAUST, HEAT EXCHANGER, GASKETS</p> <p>01146284-1</p>  	<p><b>Page 40</b> EXHAUST, HEAT EXCHANGER, GASKETS</p> <p>01146284-2</p>  	<p><b>Page 44</b> TORSIONAL COUPLING</p> <p>02006284-0</p>  
<p><b>Page 46</b> COUPLER</p> <p>02106284-0</p>  	<p><b>Page 48</b> FUEL PUMP, UNIT INJECTOR, PIPE</p> <p>03026284-0</p>  	<p><b>Page 50</b> FUEL SYSTEM EXTERNAL FROM 06/2024</p> <p>03026284-5</p>  



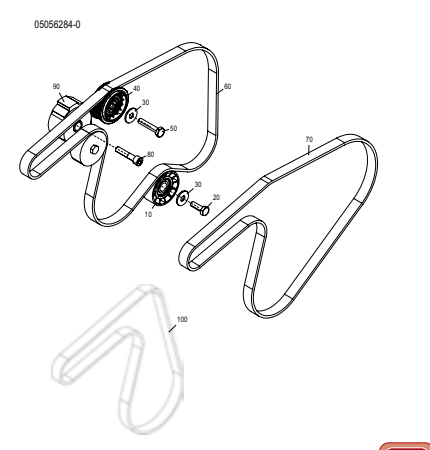

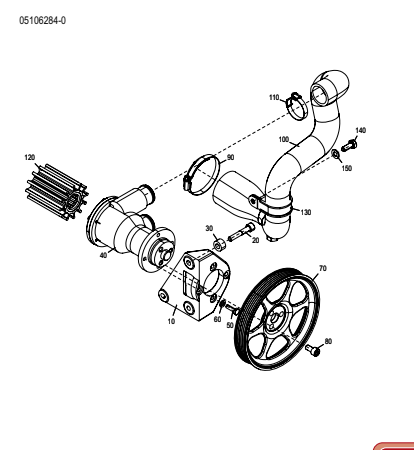

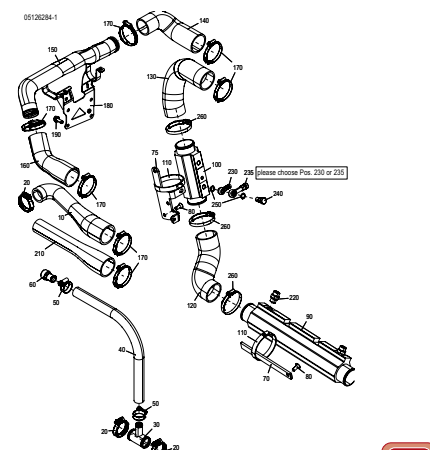

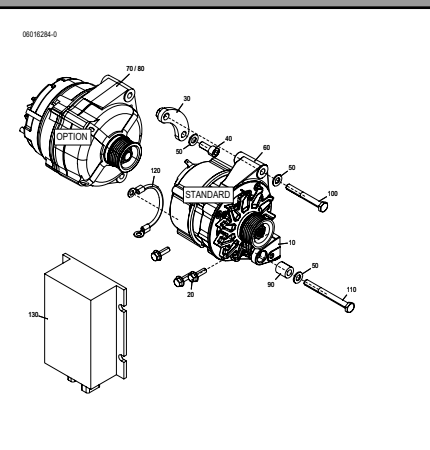

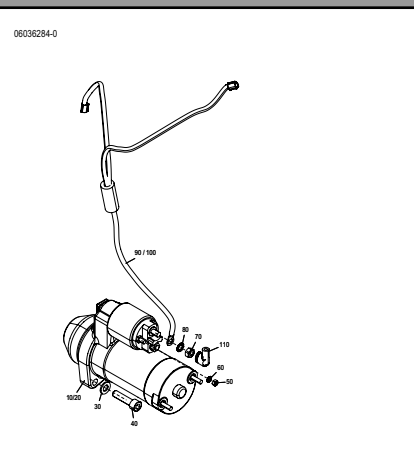



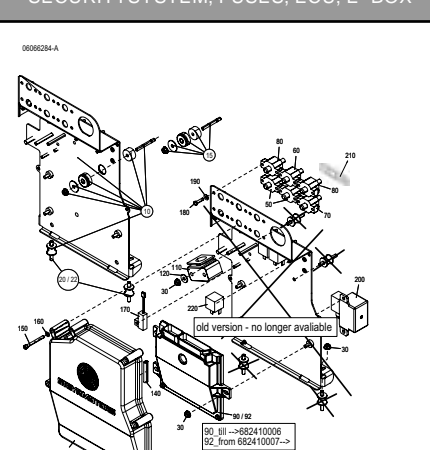

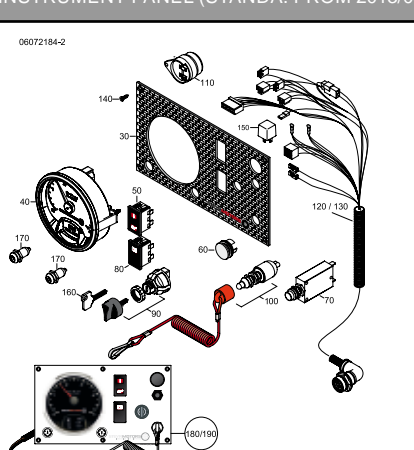

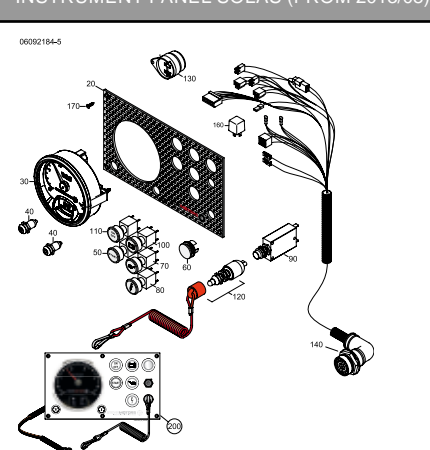



## SE156 E34 MARINE

### TABLE OF CONTENTS - SPARE PARTS CATALOGUE

<p><b>Page 52</b> AIRFILTER, INVERSIONVALVE SOLAS</p> <p>03046284-1</p>  	<p><b>Page 54</b> TURBO</p> <p>03056284-1</p>  	<p><b>Page 56</b> CONTR.SOLENOID, INJ. TIMING DEVICE</p> <p>03086284-0</p>  
<p><b>Page 58</b> FUEL FILTER</p> <p>03096284-0</p> <p>Pos. 90-110 from 682410007--&gt;</p>  	<p><b>Page 60</b> GLOW PIN</p> <p>03116084-0</p>  	<p><b>Page 62</b> POTENTIOMETER ACCELERATOR</p> <p>03126284-1</p>  
<p><b>Page 64</b> HIGH RISER, EXHAUSTPIPE</p> <p>04016284-1</p>  	<p><b>Page 66</b> WATERPIPE, THERMOSTAT</p> <p>05036284-0</p>  <p>80 or 90 - please choose what is used</p> 	<p><b>Page 68</b> WATERPUMP</p> <p>05046284-0</p>  





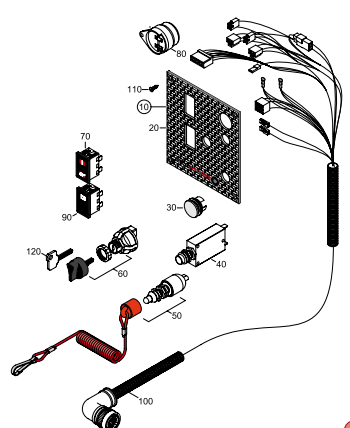

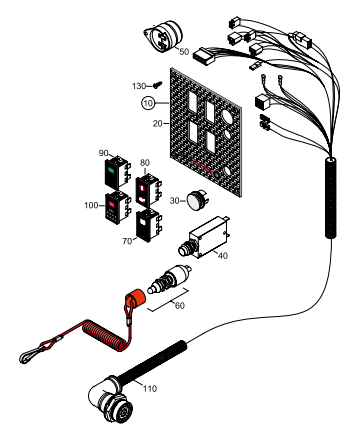



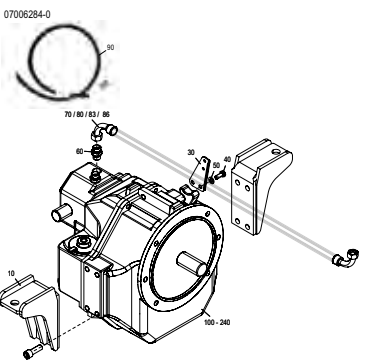

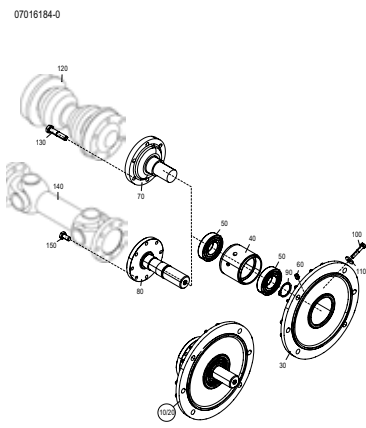

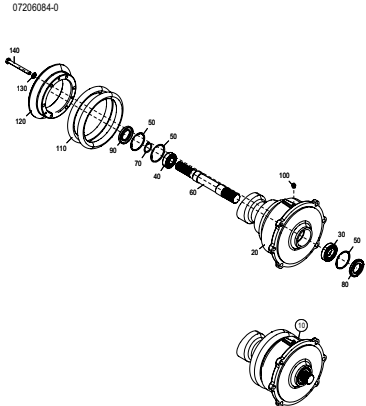

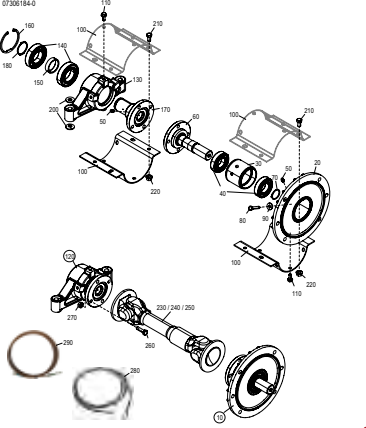

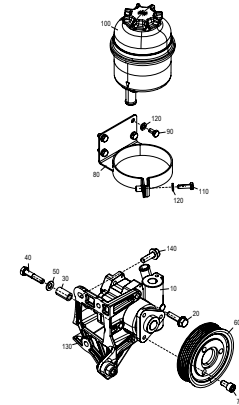

<p><b>Page 70</b> DRIVE BELTS, PULLEYS, TENSIONER</p>  <p>05056284-0</p> 	<p><b>Page 72</b> RAW WATER PUMP</p>  <p>05106284-0</p> 	<p><b>Page 74</b> RAW WATER PIPES</p>  <p>05126284-1</p> <p>Please choose Pos. 230 or 235</p> 
<p><b>Page 76</b> ALTERNATOR</p>  <p>06016284-0</p> <p>OPTION</p> <p>STANDARD</p> 	<p><b>Page 78</b> STARTER</p>  <p>06036284-0</p> 	<p><b>Page 80</b> ENGINE HARNESS</p>  <p>06056284-0</p> <p>10 ill --682410006 12_from 682410007--&gt;</p> 
<p><b>Page 82</b> SECURITYSYSTEM, FUSES, ECU, E- BOX</p>  <p>0606284-A</p> <p>old version - no longer available</p> <p>90 ill --682410006 92_from 682410007--&gt;</p> 	<p><b>Page 84</b> INSTRUMENT PANEL (STANDA. FROM 2013/08)</p>  <p>06072184-2</p> 	<p><b>Page 86</b> INSTRUMENT PANEL SOLAS (FROM 2013/08)</p>  <p>06092184-5</p> 



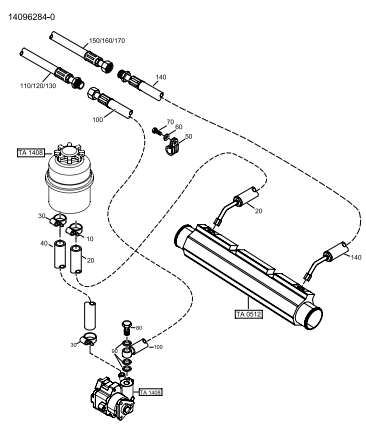



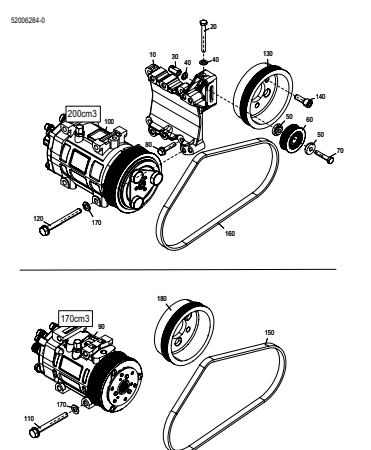

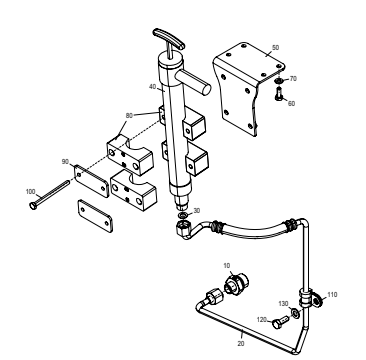

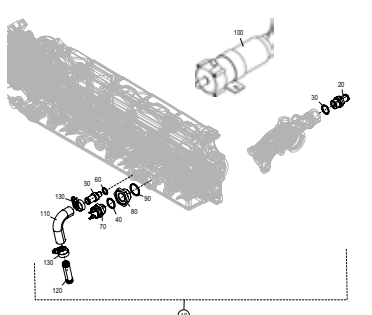





## SE156 E34 MARINE

### TABLE OF CONTENTS - SPARE PARTS CATALOGUE

<p><b>Page 88</b> SCC-DISPLAY (STEYR CONTROL CENTER)</p> <p>06106184-4</p>  	<p><b>Page 90</b> SCC KEY IGNITION PANEL</p> <p>06112184-1</p>  	<p><b>Page 92</b> SCC PUSH BUTTON IGNITION PANEL</p> <p>06122184-1</p>  
<p><b>Page 94</b> EXTENSION CABLE INSTRUMENTS</p> <p>06136184-0</p>  	<p><b>Page 96</b> TRANSMISSION, BRACKETS, PIPES - ZF63</p> <p>07006284-0</p>  	<p><b>Page 98</b> TRANSMISSION SHAFT, PTO SHAFT (ALU)</p> <p>07016184-0</p>  
<p><b>Page 100</b> DRIVE ADAPTOR VOLVO STERNDRIVE</p> <p>07206084-0</p>  	<p><b>Page 102</b> DRIVE SHAFT EXT. MERCURY STERNDRIVE</p> <p>07206184-0</p>  	<p><b>Page 104</b> HYDRAULIC PUMP</p> <p>14086284-0</p>  



<p><b>Page 106</b></p> <p>HYDRAULIC PIPES</p>  	<p><b>Page 108</b></p> <p>ENGINE PREHEATING</p>  	<p><b>Page 110</b></p> <p>AIR CONDITIONING &amp; DRIVE</p>  
<p><b>Page 112</b></p> <p>OIL SUCTION PUMP</p>  	<p><b>Page 114</b></p> <p>CABIN HEATER, CIRCULATION PUMP</p>  	<p><b>Page 116</b></p> <p>OPERATING MATERIAL</p>  



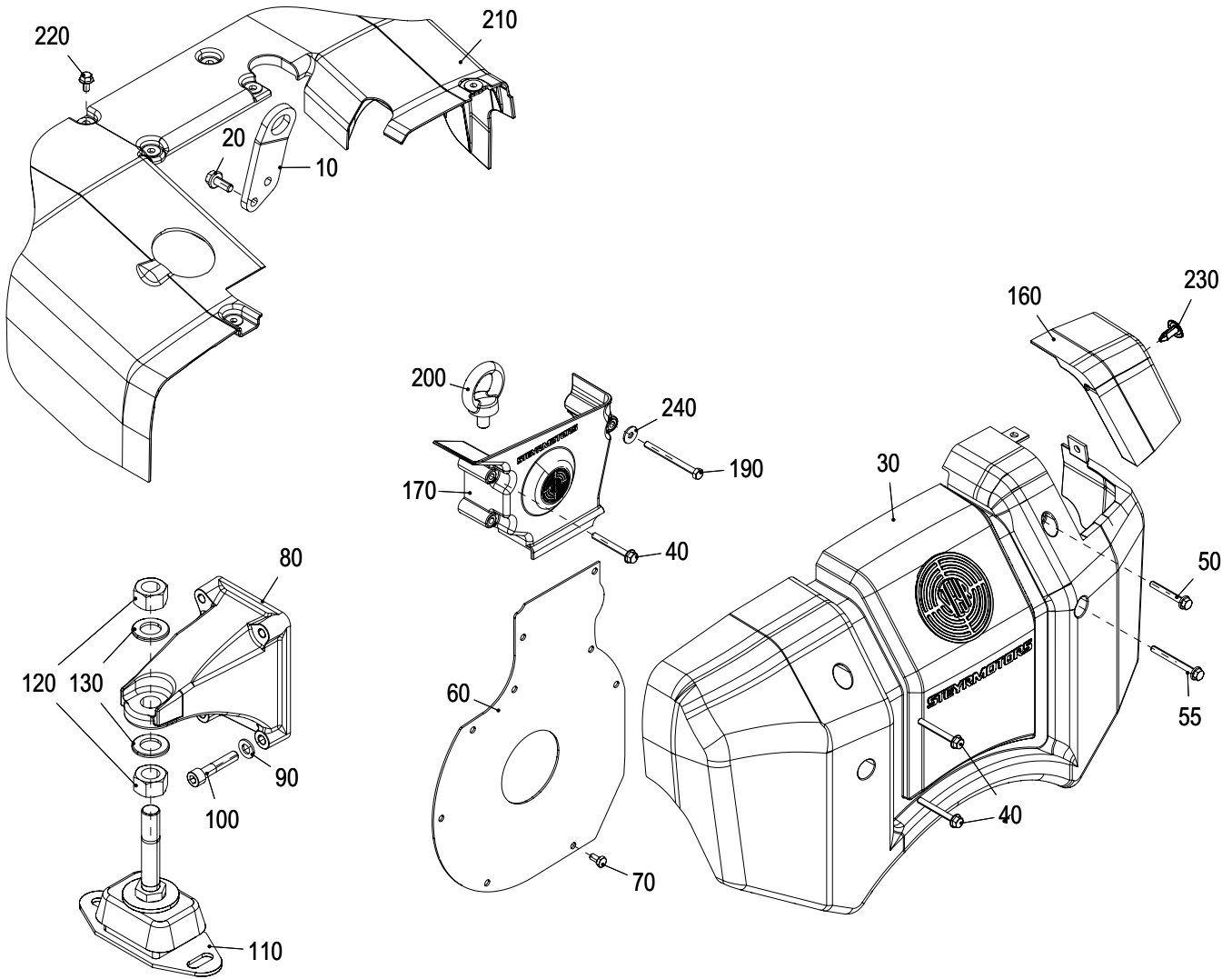


TA 0100

**SE156 E34  
MARINE**

**MOUNT BRACKET, COVER T-BELT, GASKET SET**

01006284-0



140 / 150  
  
**ENGINE SEAL KIT**



**MOUNT BRACKET, COVER T-BELT, GASKET SET**

**SE156E34  
MARINE**

01006284-0

Pos.	Part.-No.	Qty	Designation	Step
10	2201024-0	1	ENGINE LIFT SHACKLE	.1
20	9000271-0	2	BOLT EN1665-M8x25-10.9-FLZNNC-720H-L	.1
30	2180836-0	1	COVER T-BELT	.1
40	9000538-0	4	HEX.FLANGE BOLT EN 1665-M6x50-A2-70	.1
50	9001362-0	1	HEX.BOLT EN 1665-M6x40-8.8-FLZNNC-720H-L	.1
55	9001248-0	1	HEX.FLANGE BOLT EN 1665-M6x60-A2-70	.1
60	2181204-0	1	COVER PLATE, COVER T-BELT	.1
70	3800238-0	9	HEX.HD.SCR. ISO 4017-M6x12-A4-70	.1
80	2177598-9	2	MOUNT BRACKET, FRONT (RAL9006)	.1
90	3930075-0	8	WASHER ISO 7089-10-A4-200HV	.1
100	9000014-1	8	SCR. ISO 4762-M10x50-10.9-FLZNNC-720H-L	.1
110	2203804-5	4	ENGINE MOUNT ASSY 55SH	.1
120	9000442-0	2	HX.NUT ISO8673-M18x1.5-8-A-FLZNNC-720H-L	..2
130	9000441-0	2	LOCKWASHER 19.5x34.5	..2
140	Z026130-0	1	SEAL KIT, W-O FRAME SEAL	.1
150	Z026132-0	1	SEAL KIT, WITH FRAME SEAL	.1
160	2181029-0	1	COVER T-BELT PART 2	.1
170	2181026-0	1	COVER T-BELT, LOWER PART	.1
190	9001104-0	1	HEX. BOLT ISO 4014-M6x70-A2-70	.1
200	9001105-0	1	RING BOLT DIN 580-M12-A2	.1
210	2180838-0	1	COVER REAR	.1
220	9001001-0	6	HEX.FLANGE BOLT EN 1665-M6x16-A4-70	.1
230	9001126-0	1	UNSCREWING SNAP RIVET 8mm	.1
240	900221	1	WASHER ISO 7093-1-6-200HV-A4	.1



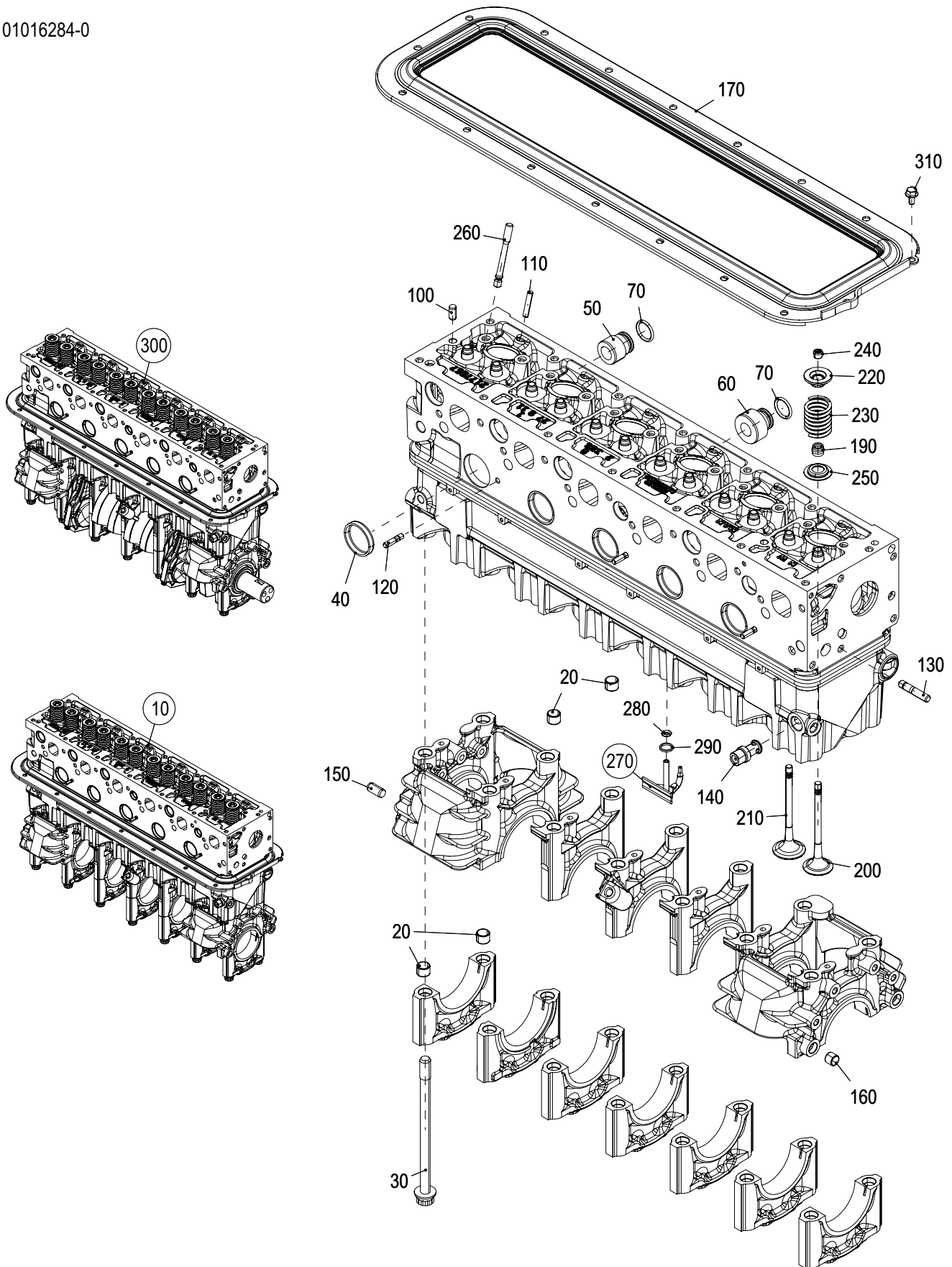


TA 0101

## SE156 E34 MARINE

### CRANKCASE

01016284-0



## CRANKCASE

**SE156E34**  
**MARINE**

01016284-0

Pos.	Part.-No.	Qty	Designation	Step
10	MZ60284-0	1	CYL. BLOCK ASSY. MARINE (INCL. VALVES)	.1
20	2172799-0	24	FITTING SLEEVE	.2
30	2174329-0	14	BOLT, MAIN BEARING	.2
40	2170309-0	6	CORE HOLE PLUG 40-8	.2
50	2180872-0	2	O-RING SLEEVE	.2
60	2180873-0	3	O-RING SLEEVE	.2
70	9001076-0	5	O-RING 19,2x3	.2
100	3901416-0	2	PARALLEL PIN ISO 2338-8m6x16-ST	.2
110	3901328-0	6	PARALLEL PIN ISO 2338-6m6x30-ST	.2
120	9000327-0	3	STUD DIN 939-M6x20-8.8-FLZNNC-720H-L	.2
130	3812435-0	1	STUD DIN 938-M8x35-8.8-FLZNNC-720H-L	.2
140	2178525-1	1	COOLING OIL VALVE ASSY.	.2
150	3901509-0	2	PARALLEL PIN ISO 2338-10m6x20-ST	.2
160	2170298-0	2	FITTING SLEEVE	.2
170	2205379-0	1	FRAME SEAL	.2
190	2172096-1	12	VALVE STEM SEAL	.2
200	707642	6	EXHAUST VALVE	.2
210	707641	6	INTAKE VALVE	.2
220	2177349-0	12	VALVE-SPRING RETAINER	.2
230	2172362-0	12	VALVE SPRING	.2
240	S21701710	24	VALVE COLLET	.2
250	2177415-0	12	SPRING SUPPORT	.2
260	2174321-1	12	STUD	.1
270	2178478-3	6	SPRAYING NOZZLE ASSY.	.1
280	2179896-0	6	O-RING 5.23 x 2.62 (GREEN)	.2
290	2179658-0	6	BACK-UP RING	.1
300	MT60284-0	1	PARTIAL ENGINE	.1
310	9000287-0	17	BOLT EN1665-M6x12-8.8-FLZNNC-720H-L	.1



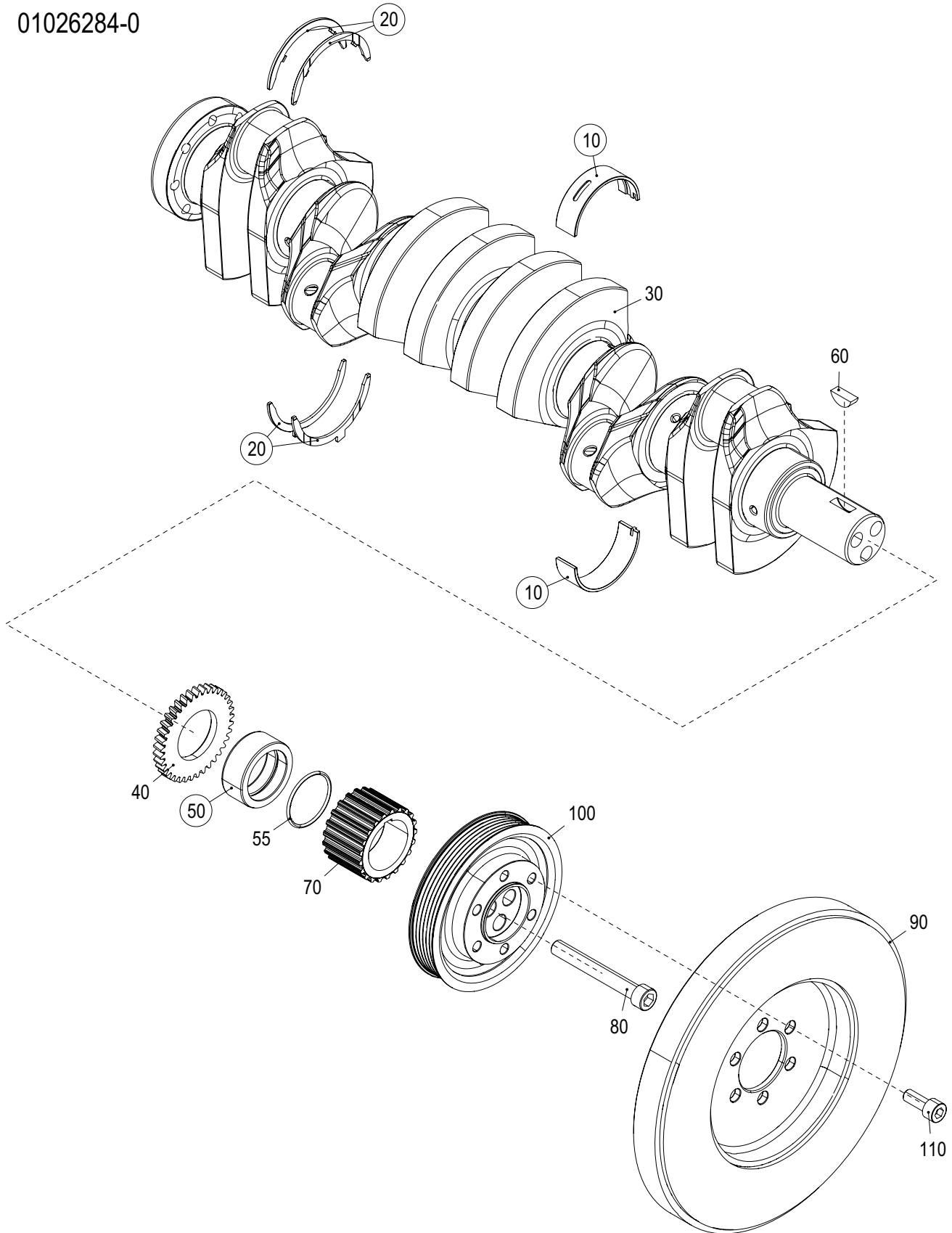


TA 0102

**SE156 E34  
MARINE**

**CRANKSHAFT, BEARING, DAMPER**

01026284-0





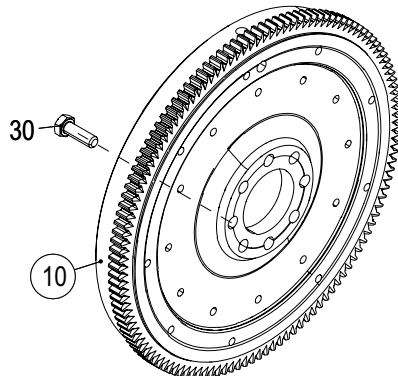
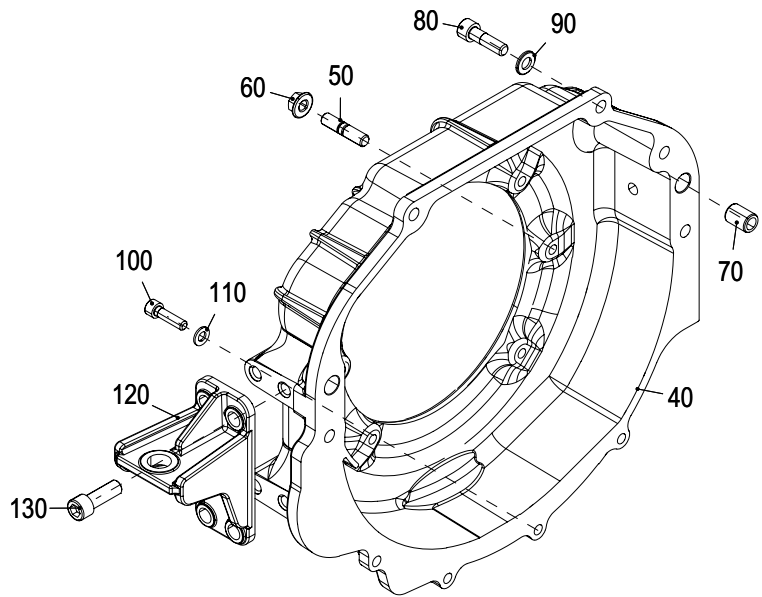
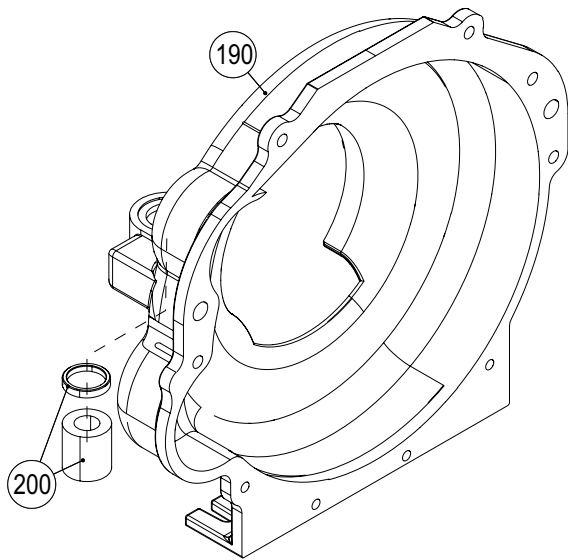
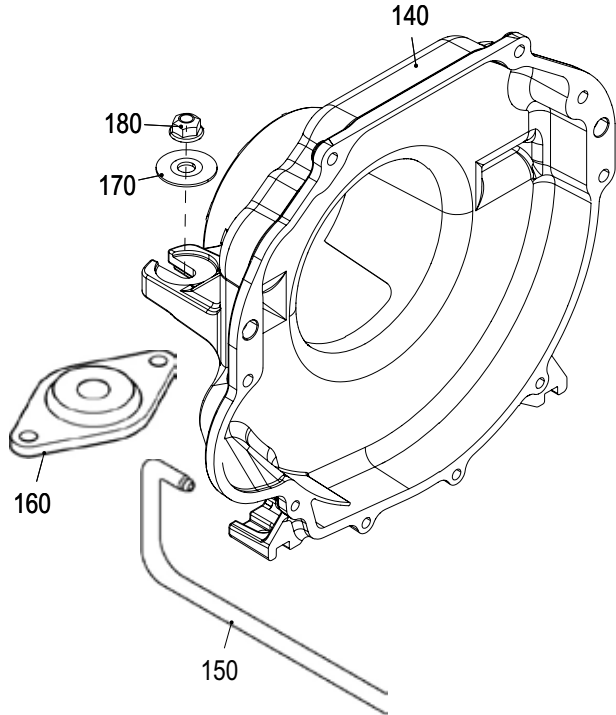
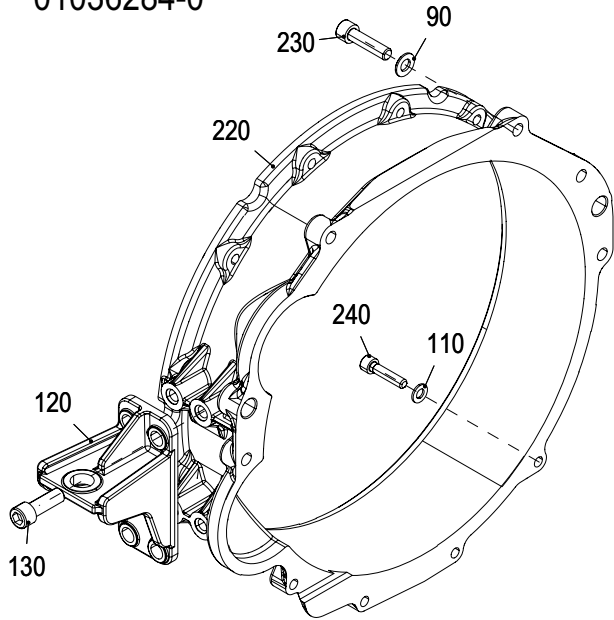


TA 0103

**SE156 E34**  
**MARINE**

## FLYWHEEL, FLYWHEELHOUSING

01036284-0





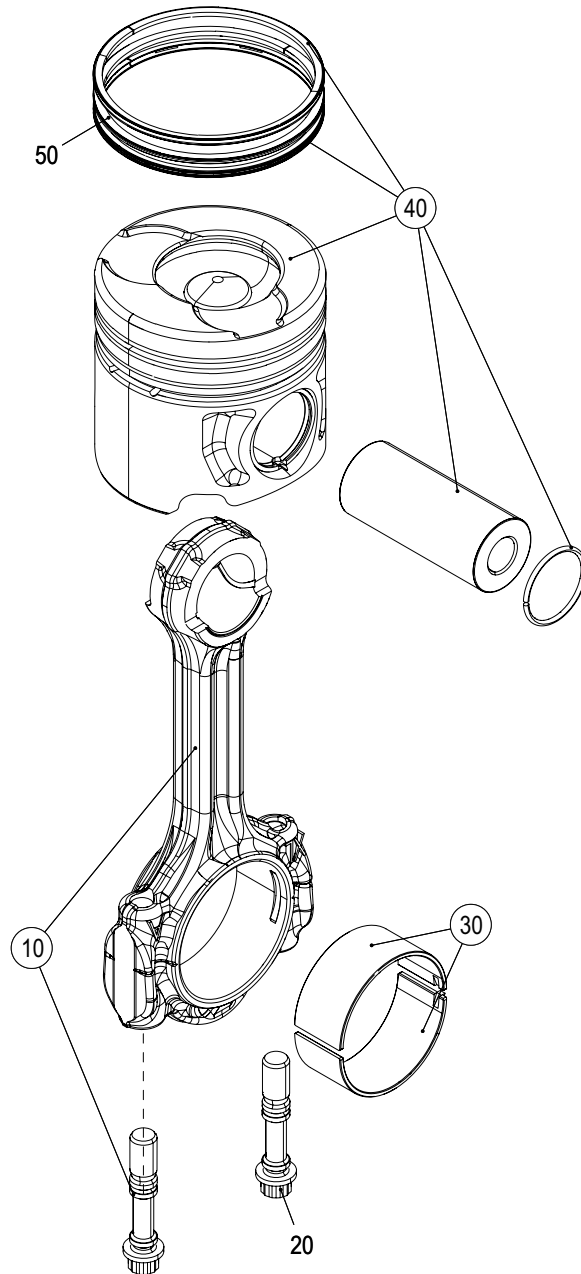


TA 0104

**SE156 E34**  
**MARINE**

**PISTON, RINGS AND PIN, CONNECTION ROD**

01046284-2





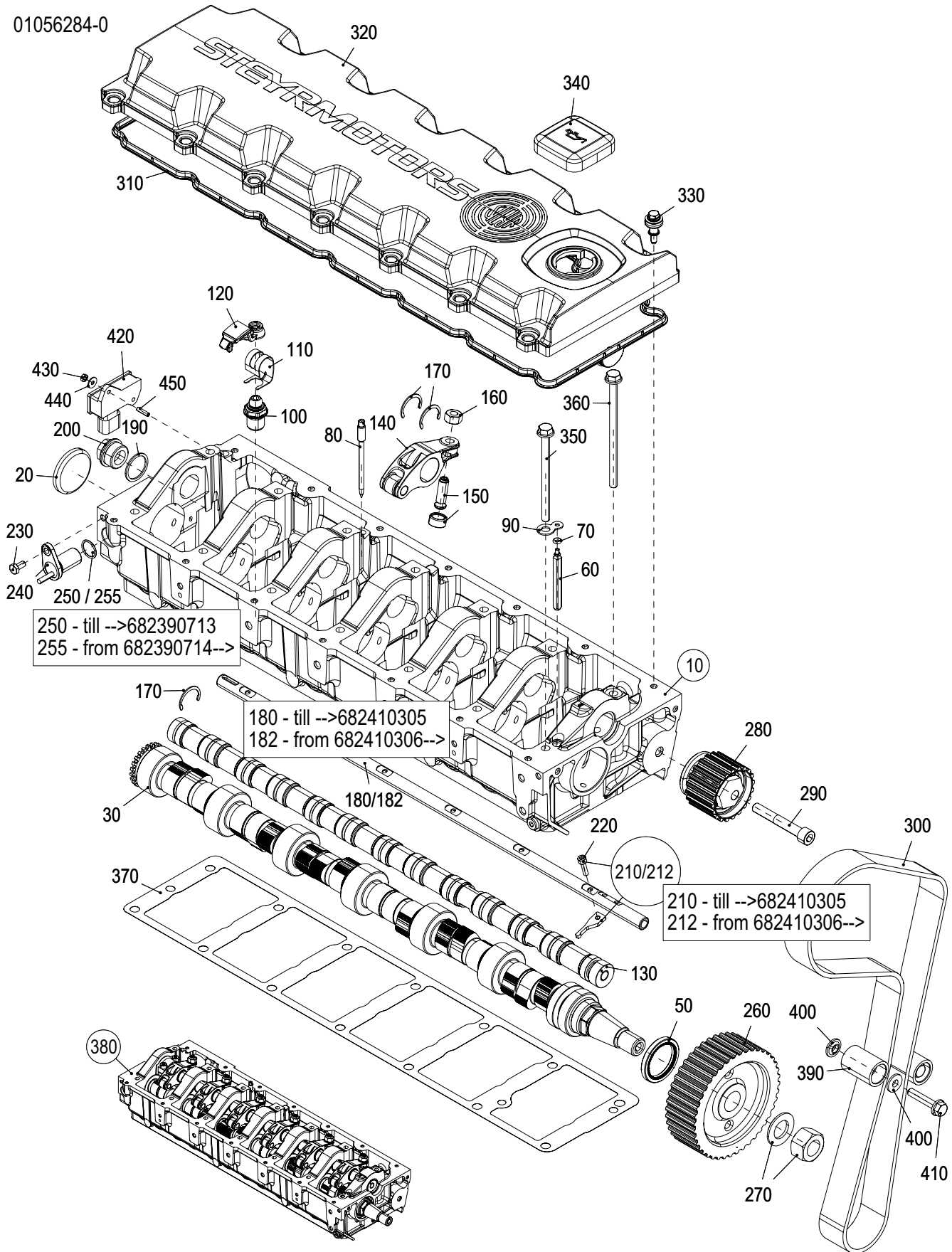


TA 0105

## SE156 E34 MARINE

### CAMSHAFT HOUSING

01056284-0



**CAMSHAFT HOUSING**
**SE156E34  
MARINE**

01056284-0

Pos.	Part.-No.	Qty	Designation	Step
10	500900	1	CAMSHAFT HOUSING ASSY. (RAL9006)	.1
20	2178083-0	1	CORE HOLE PLUG 50-7	..2
30	2178084-3	1	CAMSHAFT ASSY.	.1
50	2172086-1	1	ROTARY SHAFT SEAL	.1
60	2178486-2	1	AXLE SUPPORT	.1
70	2179278-0	1	O-RING 4.3x2.4	.1
80	2177513-2	1	GUIDE PIN CONTROL RACK	.1
90	2179251-0	1	LOCKING DEVICE, AXLE SUPPORT	.1
100	2174546-2	12	VALVE TAPPET ADJ. SCREW ASSY.	.1
110	2174552-0	12	RETAINING SPRING	.1
120	2177139-1	12	CAM FOLLOWER ASSY.	.1
130	2180860-0	1	ECCENTRIC SHAFT ASSY.	.1
140	Z002094-0	6	ROCKER ARM ASSY. (SPARE PART)	.1
150	Z002010-0	6	TAPPET ADJUSTER ASSY.	.1
160	3871310-0	6	HEX.NUT DIN 934-M10x1-10-G	.1
170	2178796-0	14	CIRCLIP 26x1.2	.1
180	500897	1	CONTROL RACK INCL. CONTROL LINK (SPA.P.)	.1
182	707334	1	CONTROL RACK	.1
190	3098031-0	1	SEALING RING DIN 7603-A26x31x1.5-CU	.1
200	3962043-0	1	PLUG DIN7604-C-M26x1.5-ST-ZnNi8/Cn/T2	.1
210	Z002009-0	6	CONTROL LINK & BOLT	.1
212	500898	6	CONTROL LINK & BOLT	.1
220	3860140-0	1	HEX.SOCK. SCR. ISO 4762-M5x20-LH-10.9-BR	.1
230	3800238-0	1	HEX.HD.SCR. ISO 4017-M6x12-A4-70	.1
240	500790	1	SPEED SENSOR, SPARE PART	.1
250	2176729-0	1	O-RING 17.17x1.78	..2
255	900579	1	O-RING 15x1.5-FVMQ70-ISO3601-1A	..2
260	2177642-0	1	TIMING BELT PULLEY CAMSHAFT	.1
270	Z002011-0	1	NUT & WASHER, CAMSHAFT PULLEY	.1
280	500945	1	IDLER PULLEY ASSY.	.1
290	3860155-0	1	SCR. ISO 4762-M10x70-10.9-FLZNNC-720H-L	.1



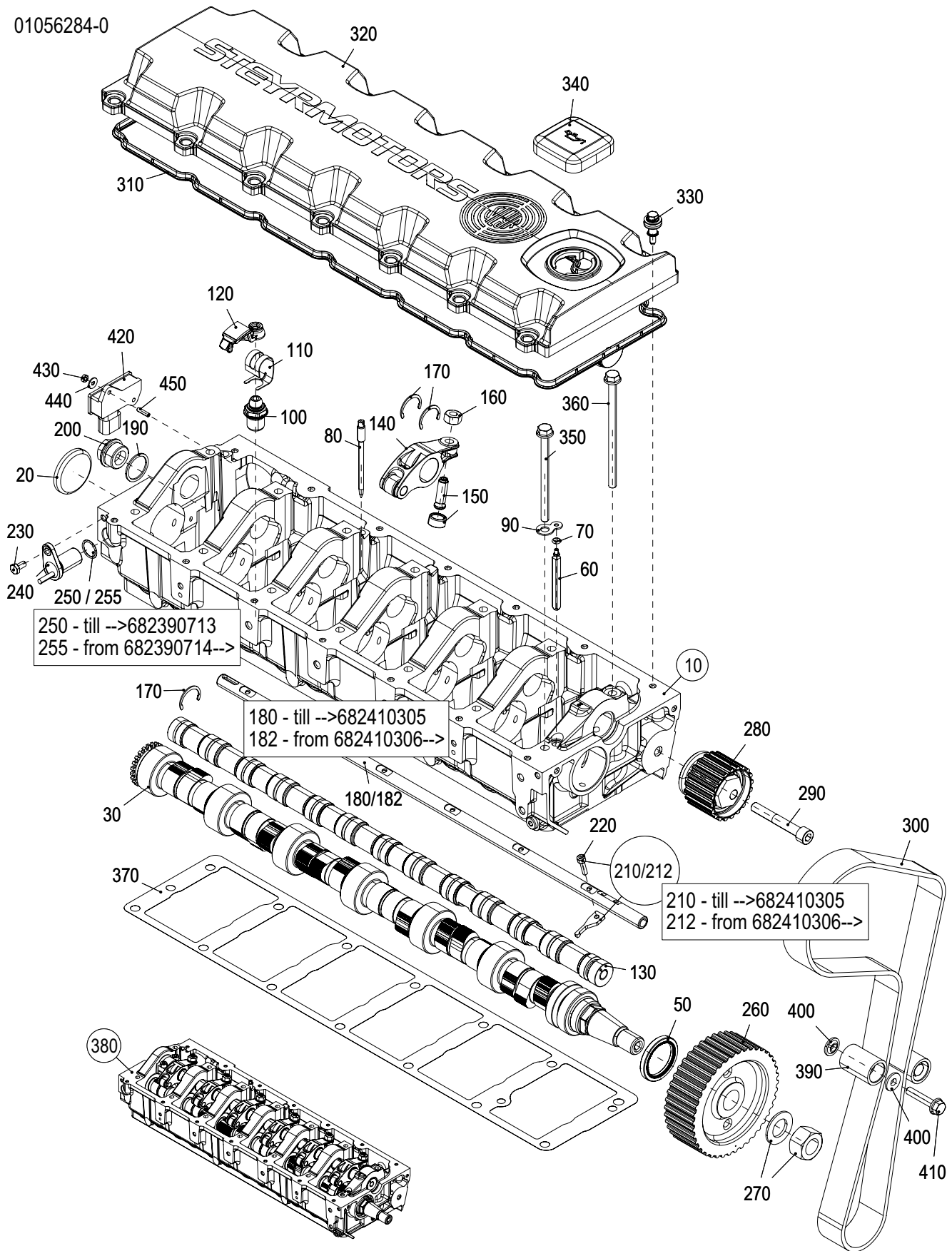


TA 0105

## SE156 E34 MARINE

### CAMSHAFT HOUSING

01056284-0





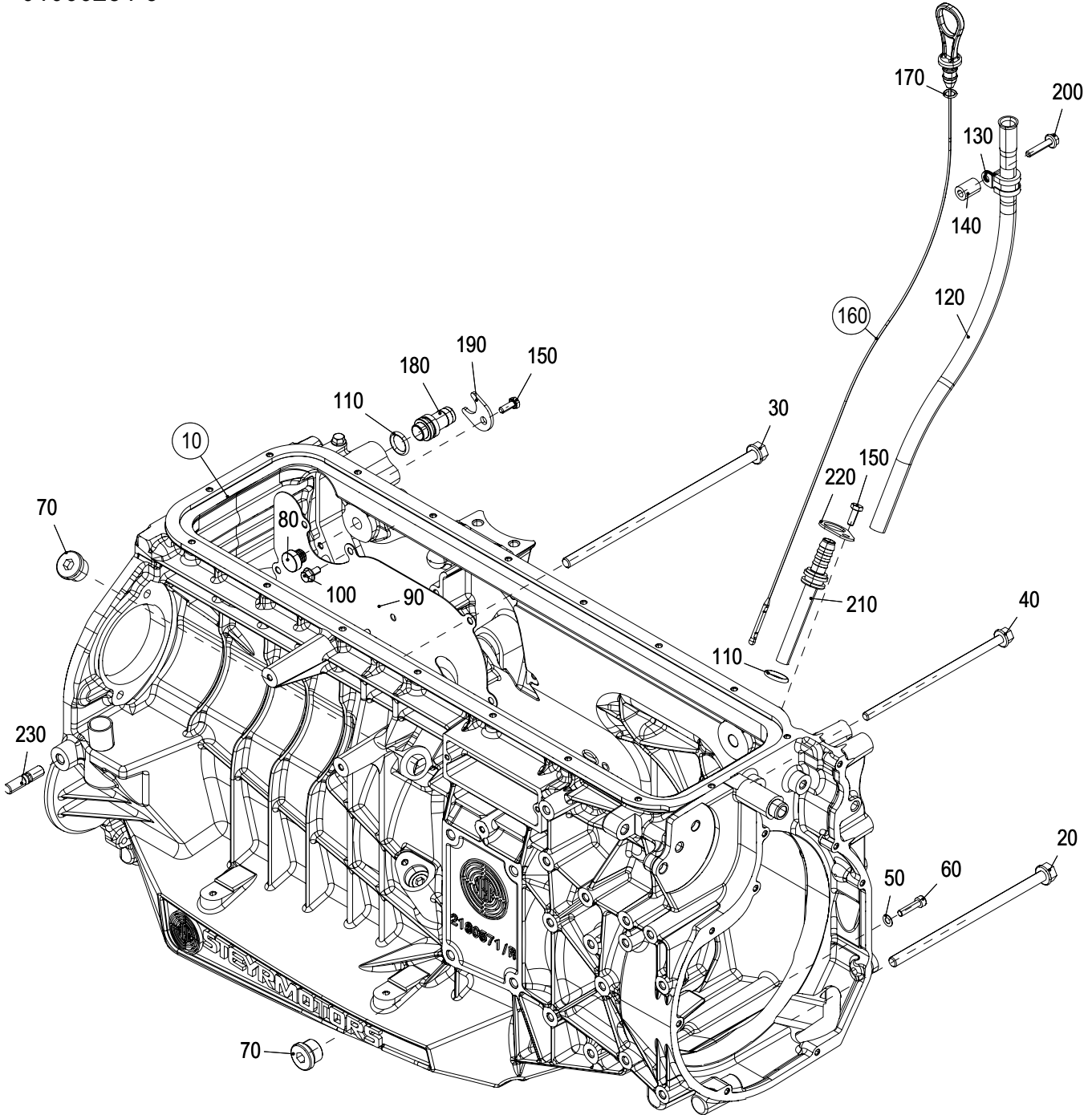


TA 0106

**SE156 E34**  
**MARINE**

## OILPAN, OIL DIPSTICK

01066284-3



## OILPAN, OIL DIPSTICK

**SE156E34  
MARINE**

01066284-3

Pos.	Part.-No.	Qty	Designation	Step
10	Z026103-0	1	ENGINE HOUSING ASSY.	.1
20	9000464-0	2	HEX.BOLT EN1665-M10x200-8.8-FLZNNC-720-L	..2
30	9000463-0	2	BOLT EN1665-M10x250-8.8-FLZNNC-720H-L	..2
40	9000465-0	3	HEX.BOLT EN1665-M8x180-8.8-FLZNNC-720H-L	..2
50	3932008-0	12	SP. WASHER DIN 137-B6-FST-FLZNNC-480H	..2
60	3862327-0	12	SCR. ISO 4762-M6x25-8.8-FLZNNC-720H-L	..2
70	9000590-0	2	SCR.PLUG WITH RUBBER SEAL M22x1.5	..2
80	2174072-0	4	RUBBER PAD	..2
90	2180815-0	1	COVER PRE OIL SEPARATOR	..2
100	9000287-0	9	BOLT EN1665-M6x12-8.8-FLZNNC-720H-L	..2
110	2178310-1	2	O-RING 17x3.53-FPM70-ISO3601-1A	.1
120	2180818-0	1	TUBE OIL-DIPSTICK	.1
130	2178566-0	1	PIPE CLAMP RSGU1.15/15-W5	.1
140	2180895-0	1	DISTANCE SLEEVE	.1
150	3800233-0	2	HEX.HD.SCR. ISO 4017-M6x16-A4-70	.1
160	708241	1	OIL DIP STICK ASSY.	.1
170	2203689-0	2	O-RING 9.0x2.0	..2
180	2179544-0	1	FITTING DM16	.1
190	2179543-0	1	CLAMPING PLATE	.1
200	9000537-0	1	HEX.FLANGE BOLT EN 1665-M6x30-A2-70	.1
210	2180817-0	1	NOOZLE OIL DIP STICK	.1
220	2201476-0	1	MOUNTING PLATE	.1
230	9000478-0	1	STUD DIN 835-M10x25-A2-70	.1



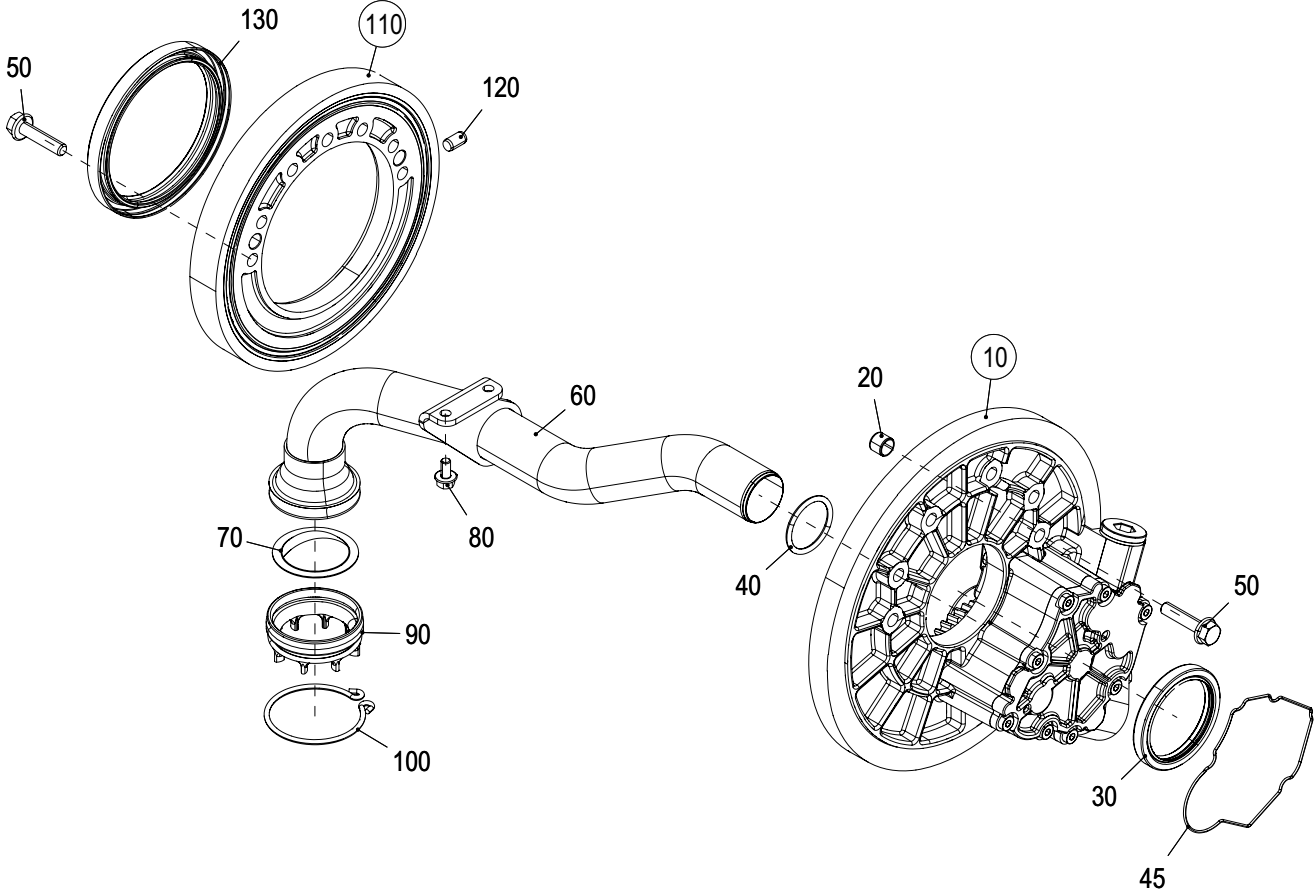


TA 0106

**SE156 E34  
MARINE**

**OIL PUMP, SUPPORT RING**

01066284-A





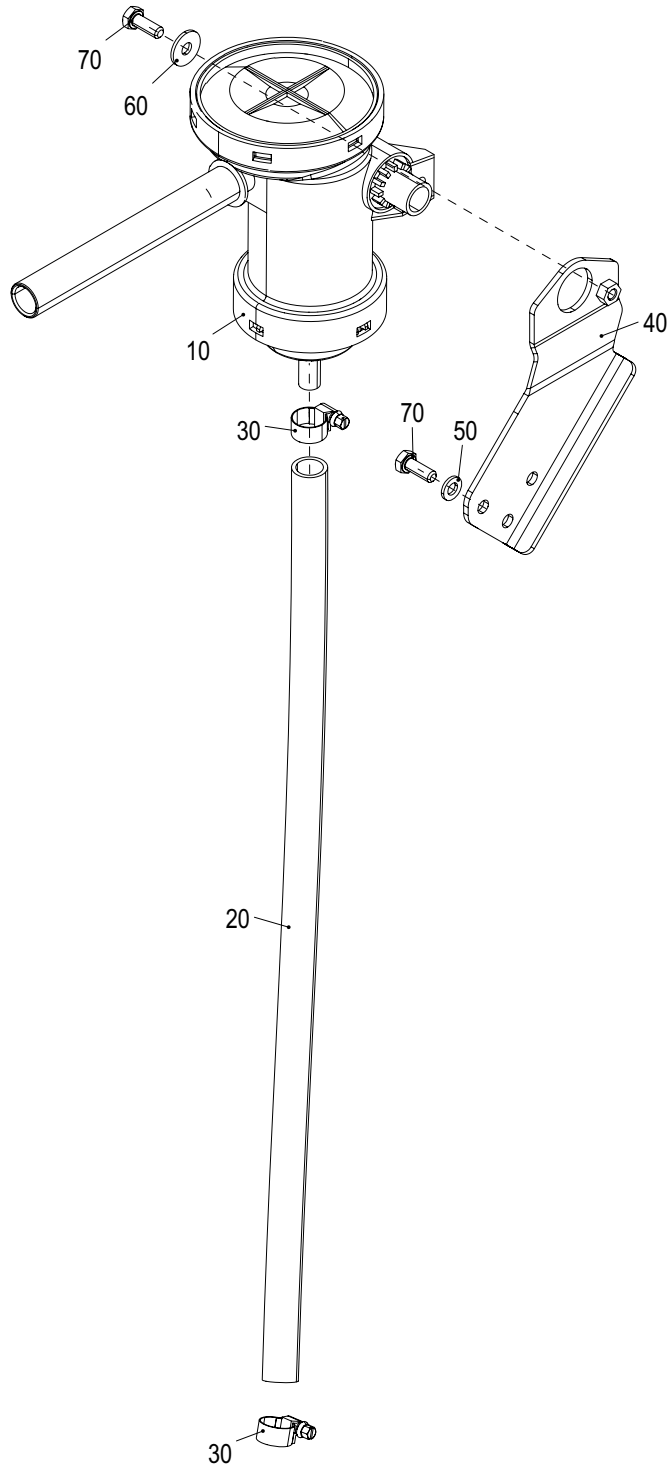


TA 0106

**SE156 E34  
MARINE**

**OIL SEPARATOR, BLOWBY LINES**

01066284-J





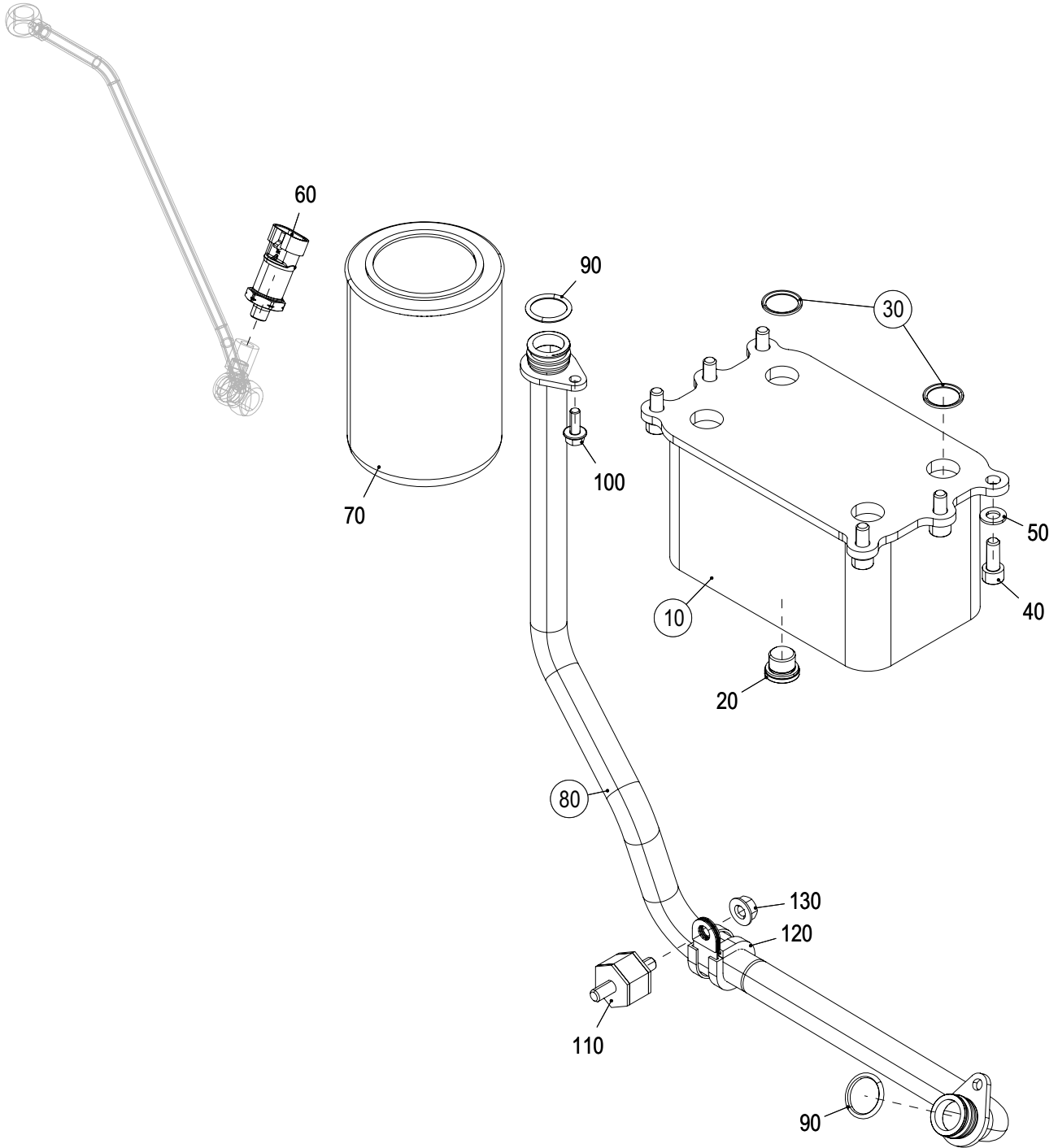


TA 0106

**SE156 E34  
MARINE**

**OIL COOLER, OIL FILTER, OIL LINES**

01066284-R





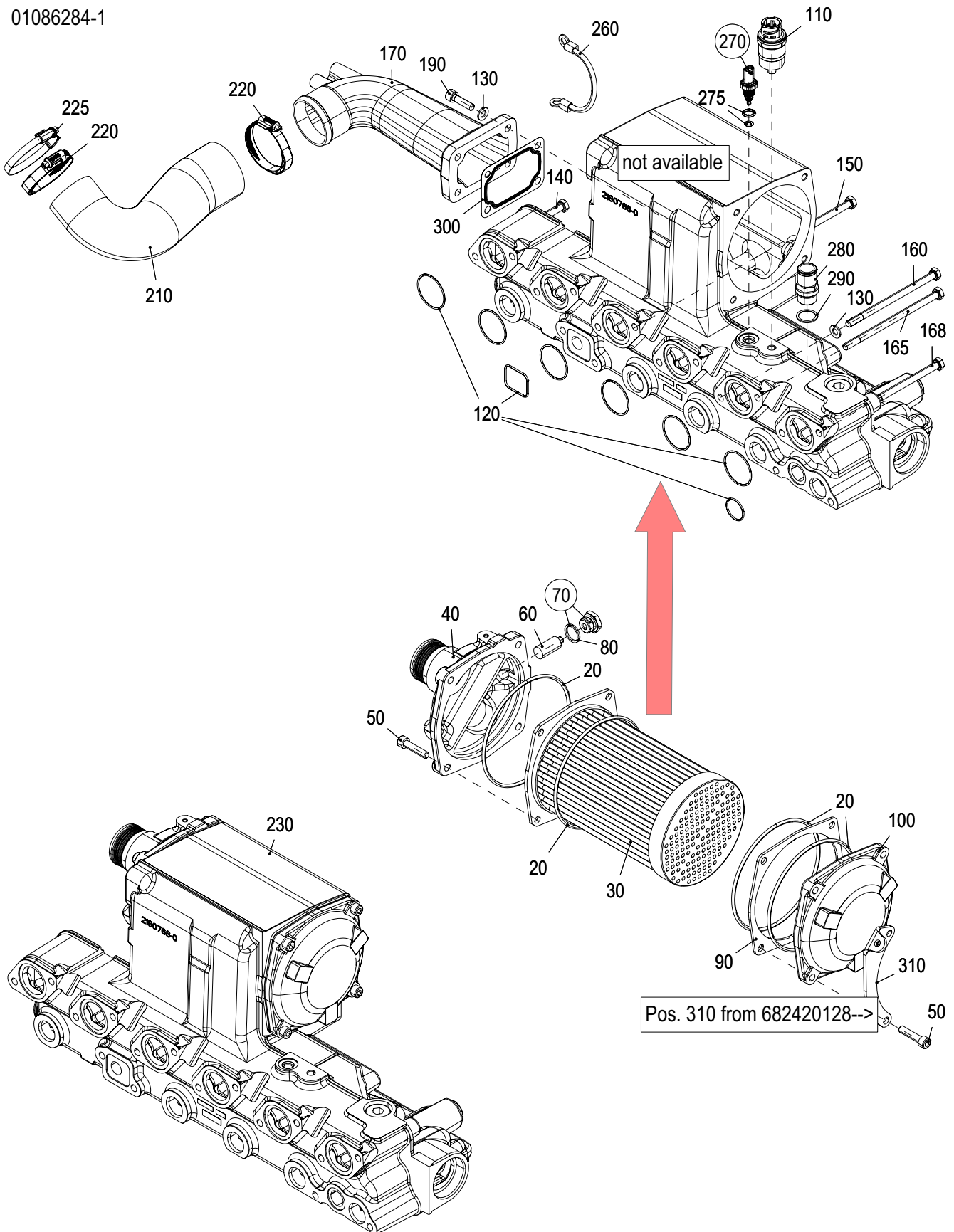


TA 0108

## SE156 E34 MARINE

### INTERCOOLER

01086284-1



## INTERCOOLER

**SE156E34**  
**MARINE**

01086284-1

Pos.	Part.-No.	Qty	Designation	Step
20	2180010-0	4	O-RING 135x4	.1
30	2180877-0	1	INTERCOOLER	.1
40	Z026106-0	1	COVER INTERCOOLER REAR (RAL9006)	.1
50	9000064-0	8	HEX.SCR.ISO 4762-M8x35-8.8-FLZNNC-720H-L	.1
60	2178413-1	1	ZINC ANODE	.1
70	Z002017-0	1	PLUG & SEAL FOR ZINC-ANODE	.1
80	900631	1	SEALING RING DIN 7603-A18x24-CU	.2
90	2180012-0	1	SPACER, INTERCOOLER	.1
100	Z026107-0	1	COVER INTERCOOLER FRONT (RAL9006)	.1
110	2180803-0	1	PRESSURE SENSOR 1-8 27 NPT	.1
120	Z026108-0	1	SEAL KIT, INTAKE MANIFOLD	.1
130	3930103-0	16	WASHER ISO 7089-8-A4-200HV	.1
140	3800471-0	3	BOLT ISO 4014-M8x90-8.8-FLZNNC-720H-L	.1
150	9000295-0	7	HE.BO.ISO4014-M8x220-8.8-A-FLZNNC-720H-L	.1
160	9000288-0	4	HE.BO.ISO4014-M8x140-8.8-A-FLZNNC-720H-L	.1
165	3800493-0	1	H.BOLT ISO 4014-M8x150-8.8-FLZNNC-720H-L	.1
168	9000329-0	1	HEX.HD.BOLT ISO 4014-M8x115-A4-70	.1
170	Z026109-0	1	PRESSURE PIPE (RAL9006)	.1
190	3862433-0	4	HEX.SOCK. SCR. ISO 4762-M8x30-A4-70	.1
210	2181067-0	1	CHARGE AIR HOSE	.1
220	2181189-0	2	HOSE CLAMP WITH SPRING 50-70-12	.1
225	2179022-0	1	HOSE CLAMP WITH SPRING 50-70/9	.1
230	Z026104-0	1	INTERCOOLER ASSY. (RAL9006)	.1
260	2178968-0	1	GROUND WIRE	.1
270	2180962-0	1	CHARGE AIR TEMP. SENSOR INCL. O-RINGS	.1
275	500850	1	SEAL KIT, TEMPERATUR SENSOR	.2
280	9000648-4	1	SCREW-IN SOCKET M22x1.5-22	.1
290	9000815-0	1	PROFILED GASKET DIN 3869-22-FPM	.1
300	2201914-0	1	GASKET CHARGE AIR COOLER	.1
310	707660	1	SUPPORT EXPANSION TANK	.1



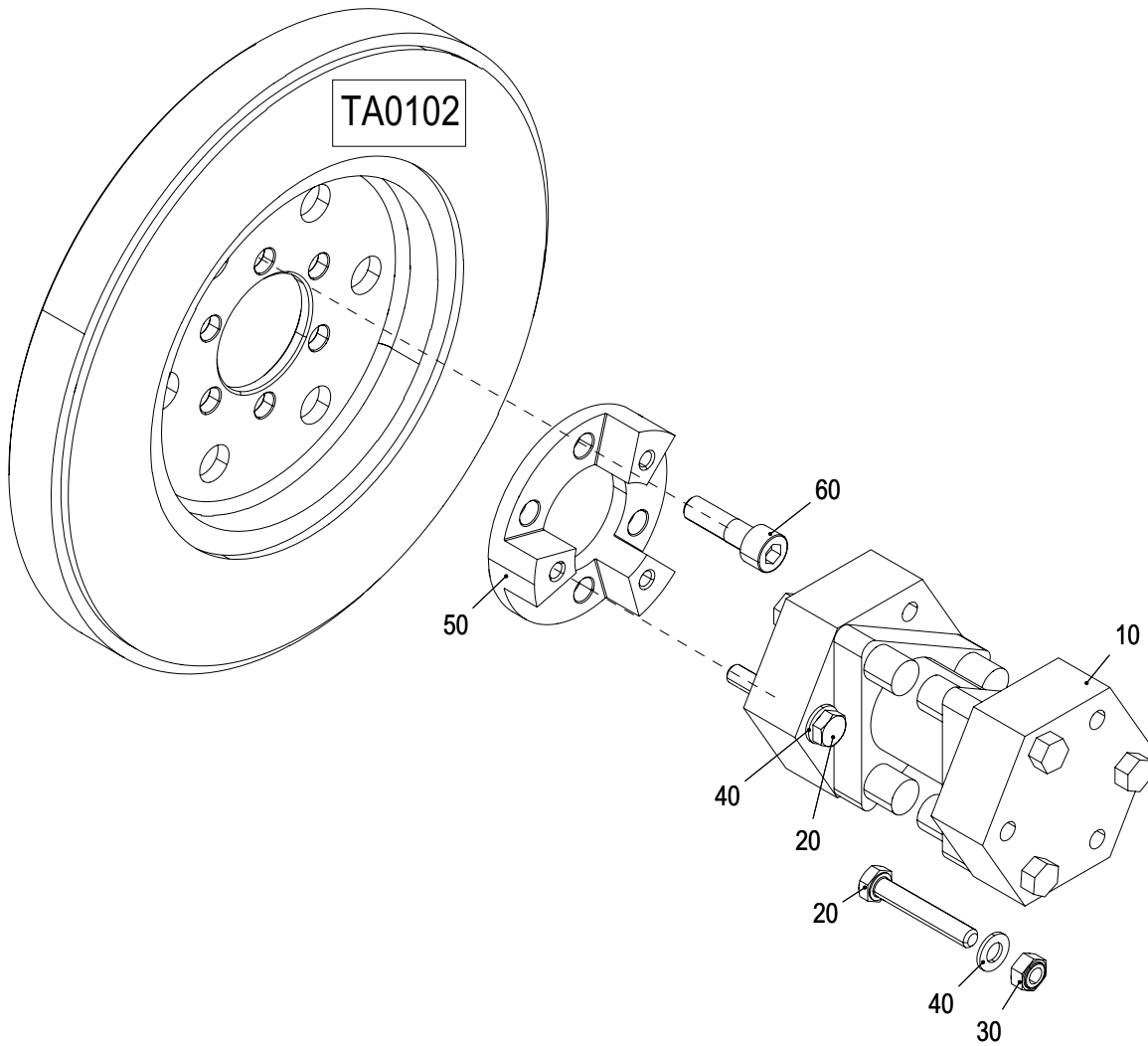


TA 0109

**SE156 E34  
MARINE**

**POWER TAKE OFF FRONT**

01096184-0





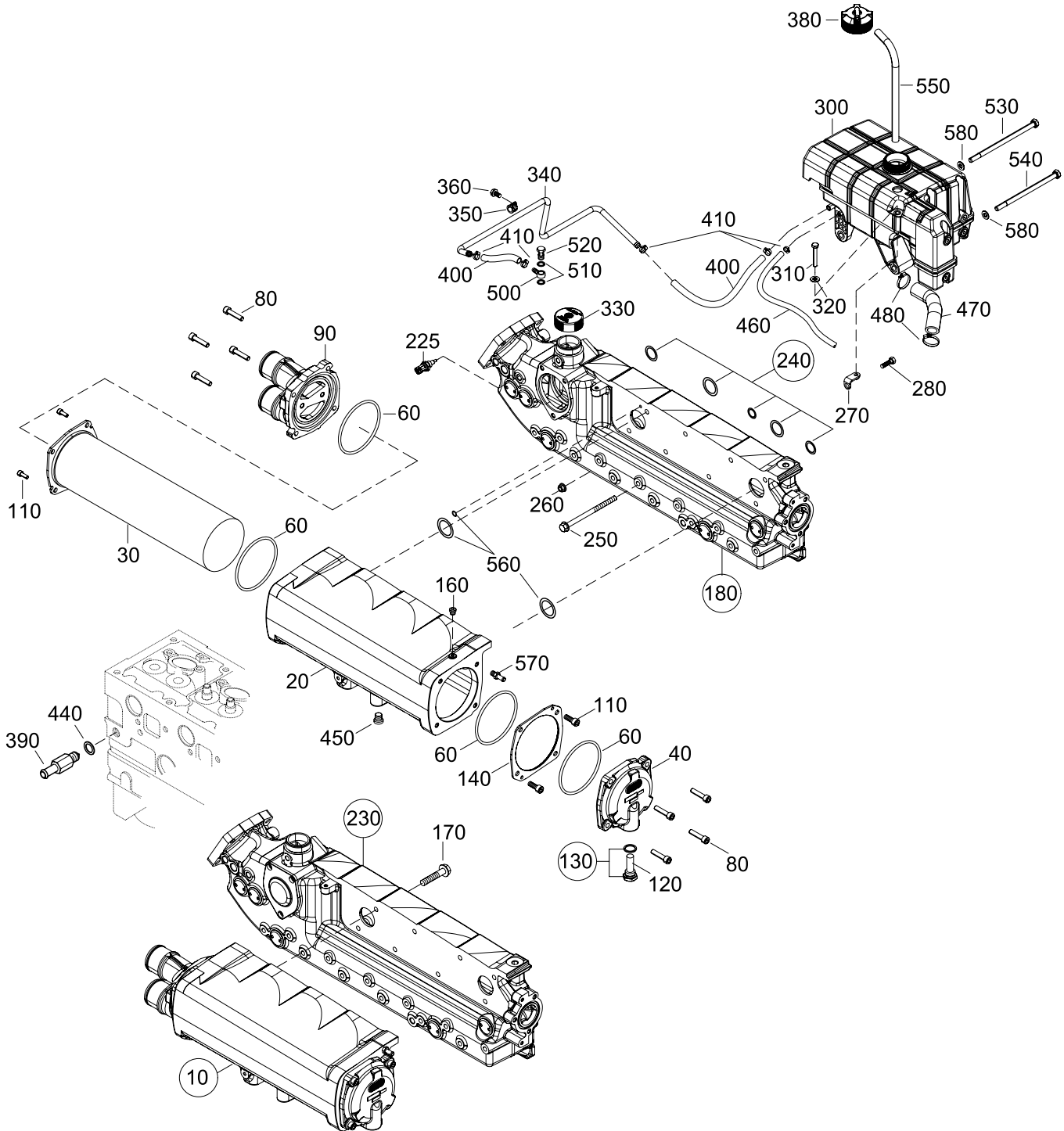


TA 0114

**SE156 E34**  
**MARINE**

**EXHAUST, HEAT EXCHANGER, GASKETS**  
ENG. NO.: 682340975-682381049, EXEMPT 682380753-682380758

01146284-1



**EXHAUST, HEAT EXCHANGER, GASKETS**  
**ENG. NO.: 682340975-682381049, EXEMPT 682380753-682380758**

**SE156E34**  
**MARINE**

01146284-1

Pos.	Part.-No.	Qty	Designation	Step
10	Z026115-0	1	HEAT EXCHANGER ASSY. (RAL9006)	.1
20	500091	1	HEAT EXCHANGER HOUSING (RAL9006)	.2
30	700974	1	HEAT EXCHANGER	.2
40	500092	1	COVER HEAT EXCHANGER (RAL9006)	.2
60	900090	4	O-RING 107.55x3.53-FPM70-ISO3601-1A	.2
80	9000064-0	8	HEX.SCR.ISO 4762-M8x35-8.8-FLZNNC-720H-L	.2
90	500093	1	COVER HEAT EXCHANGER (RAL9006)	.2
110	3862316-0	4	SCR. ISO 4762-M6x16-8.8-FLZNNC-720H-L	.2
120	2178413-1	1	ZINC ANODE	.2
130	Z002017-0	1	PLUG & SEAL FOR ZINC-ANODE	.2
140	700975	1	SPACER	.2
160	9000585-0	1	HEX.SOCK.SCR.PLUG WITH RUBBER SEAL M10x1	.2
170	9000304-0	8	BOLT EN1665-M8x60-8.8-FLZNNC-720H-L	.1
180	Z026114-0	1	EXHAUST MANIFOLD ASSY. (RAL9006)	.1
225	2180773-0	1	TEMPERATURE SENSOR W. SEAL RING	.1
230	Z026118-0	1	EXHAUST MANIFOLD COMPL. ASSY. (RAL9006)	.1
240	Z002652-0	1	SEAL KIT, EXH.MANIF.-BLOCK (O-RINGS)	.1
250	900590	12	HEX.BOL.EN1665-M8x135-10.9-FLZNNC-720H-L	.1
260	3880049-0	3	HEX.FLANGE NUT EN 1661-M6-A4-70	.1
270	2180918-0	1	FASTENING TAB, EXPANSION TANK	.1
280	3800238-0	1	HEX.HD.SCR. ISO 4017-M6x12-A4-70	.1
300	2179855-0	1	EXPANSION TANK	.1
310	9000539-0	1	HEX.HD.SCR. ISO 4017-M6x40-A2-70	.1
320	9000012-0	1	WASHER ISO 7093-6.4-140HV-A2	.1
330	Z021020-0	1	SEALING CAP COOLER	.1
340	500912	1	PIPE WATER EXPANSION TANK	.1
350	2205232-1	2	CLAMP RS1.8/15-W1	.1
360	9001001-0	2	HEX.FLANGE BOLT EN 1665-M6x16-A4-70	.1
380	2181153-0	1	RADIATOR CAP	.1
390	2180843-0	1	DRAIN COCK ASSY.	.1
400	500909	1	HOSE DN6, DMI=8 L=500±5	.1



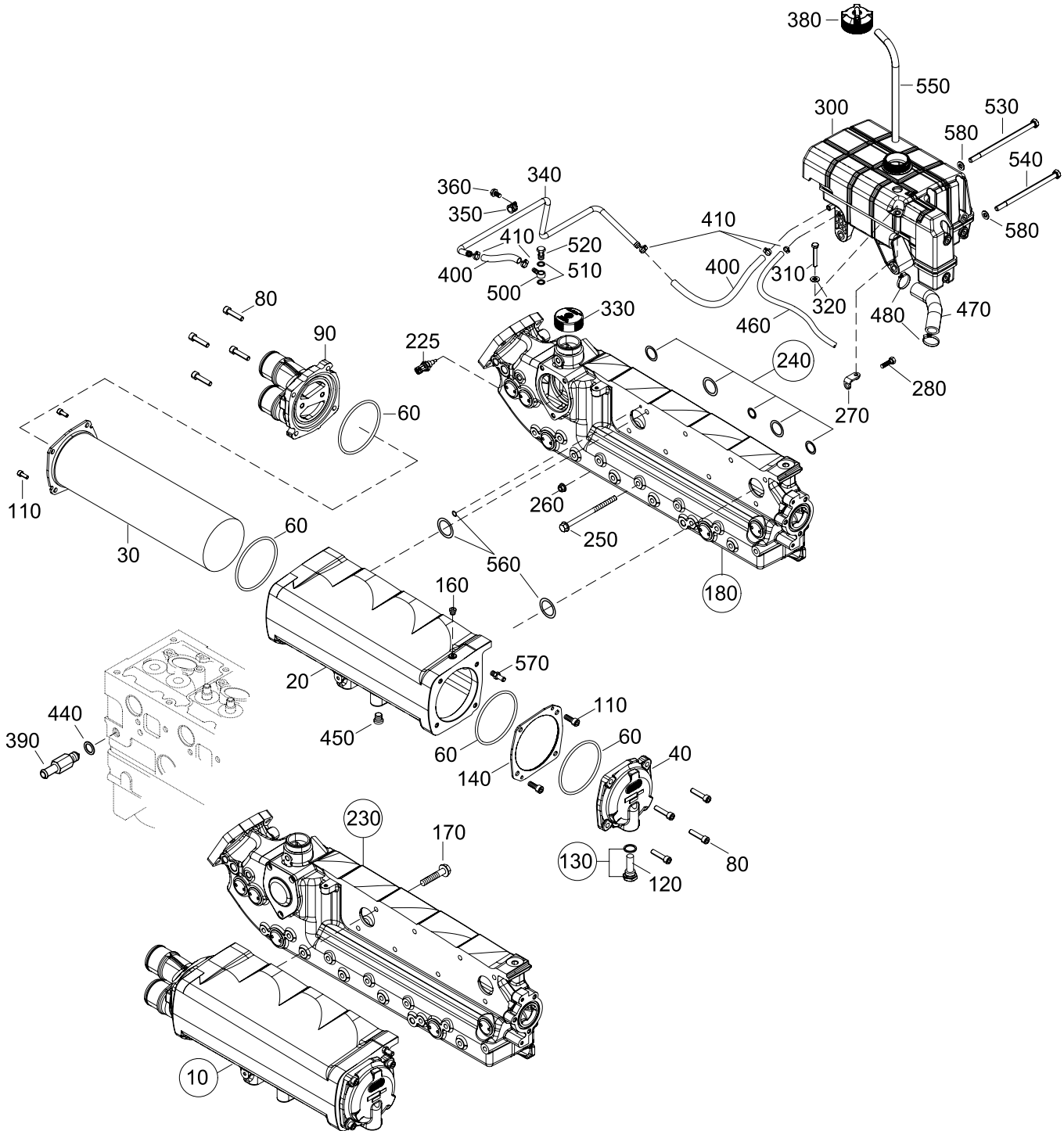


TA 0114

**SE156 E34**  
**MARINE**

**EXHAUST, HEAT EXCHANGER, GASKETS**  
ENG. NO.: 682340975-682381049, EXEMPT 682380753-682380758

01146284-1





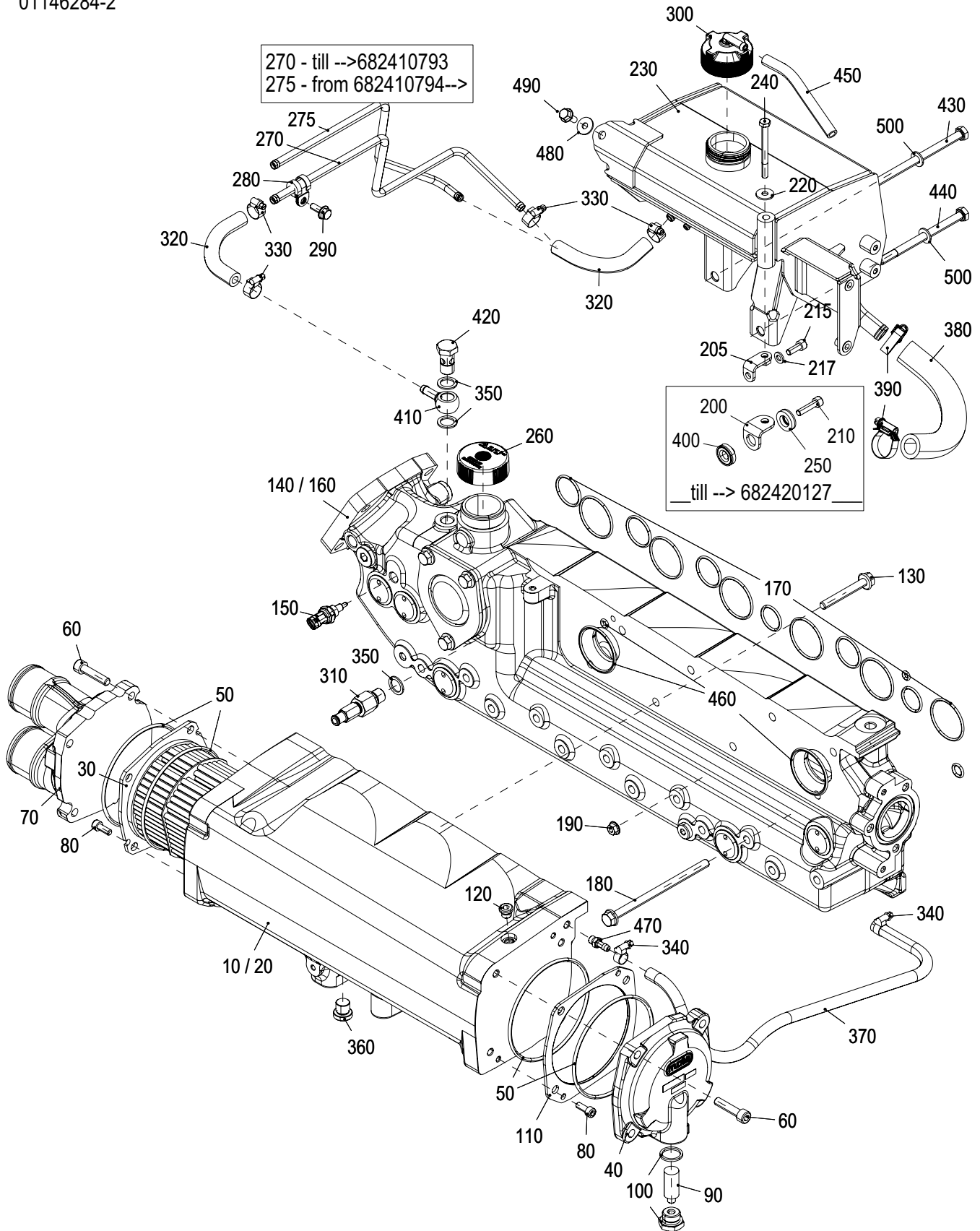


TA 0114

## SE156 E34 MARINE

### EXHAUST, HEAT EXCHANGER, GASKETS ENG. NO.: 682380753-682380758, 682381050-->AND HIGHER

01146284-2



**EXHAUST, HEAT EXCHANGER, GASKETS**  
**ENG. NO.: 682380753-682380758, 682381050-->AND HIGHER**

**SE156E34**  
**MARINE**

01146284-2

Pos.	Part.-No.	Qty	Designation	Step
10	Z026115-0	1	HEAT EXCHANGER ASSY. (RAL9006)	.1
20	500091	1	HEAT EXCHANGER HOUSING (RAL9006)	.2
30	700974	1	HEAT EXCHANGER	.2
40	500092	1	COVER HEAT EXCHANGER (RAL9006)	.2
50	900090	4	O-RING 107.55x3.53-FPM70-ISO3601-1A	.2
60	9000064-0	8	HEX.SCR.ISO 4762-M8x35-8.8-FLZNNC-720H-L	.2
70	500093	1	COVER HEAT EXCHANGER (RAL9006)	.2
80	3862316-0	4	SCR. ISO 4762-M6x16-8.8-FLZNNC-720H-L	.2
90	2178413-1	1	ZINC ANODE	.2
100	Z002017-0	1	PLUG & SEAL FOR ZINC-ANODE	.2
110	700975	1	SPACER	.2
120	9000585-0	1	HEX.SOCK.SCR.PLUG WITH RUBBER SEAL M10x1	.2
130	9000304-0	8	BOLT EN1665-M8x60-8.8-FLZNNC-720H-L	.1
140	Z026114-0	1	EXHAUST MANIFOLD ASSY. (RAL9006)	.1
150	2180773-0	1	TEMPERATURE SENSOR W. SEAL RING	.1
160	Z026118-0	1	EXHAUST MANIFOLD COMPL. ASSY. (RAL9006)	.1
170	Z002652-0	1	SEAL KIT, EXH.MANIF.-BLOCK (O-RINGS)	.1
180	900590	12	HEX.BOL.EN1665-M8x135-10.9-FLZNNC-720H-L	.1
190	3880049-0	3	HEX.FLANGE NUT EN 1661-M6-A4-70	.1
200	2181222-0	1	BRACKET EXPANSION TANK	.1
205	2180918-0	1	FASTENING TAB, EXPANSION TANK	.1
210	9001088-0	1	HEX.SOCK. SCR. ISO 4762-M6x25-A2-70	.1
215	3862316-0	1	SCR. ISO 4762-M6x16-8.8-FLZNNC-720H-L	.1
217	3930251-0	1	WASHER ISO 7089-6-140HV-FLZNNC-480H	.1
220	9000012-0	1	WASHER ISO 7093-6.4-140HV-A2	.1
230	Z026156-0	1	EXPANSION TANK (RAL9006)	.1
240	9001104-0	1	HEX. BOLT ISO 4014-M6x70-A2-70	.1
250	2201540-0	3	WASHER, W. KNITTED WIRE MESH	.1
260	Z021020-0	1	SEALING CAP COOLER	.1
270	500912	1	PIPE WATER EXPANSION TANK	.1
275	501081	1	PIPE WATER EXPANSION TANK	.1



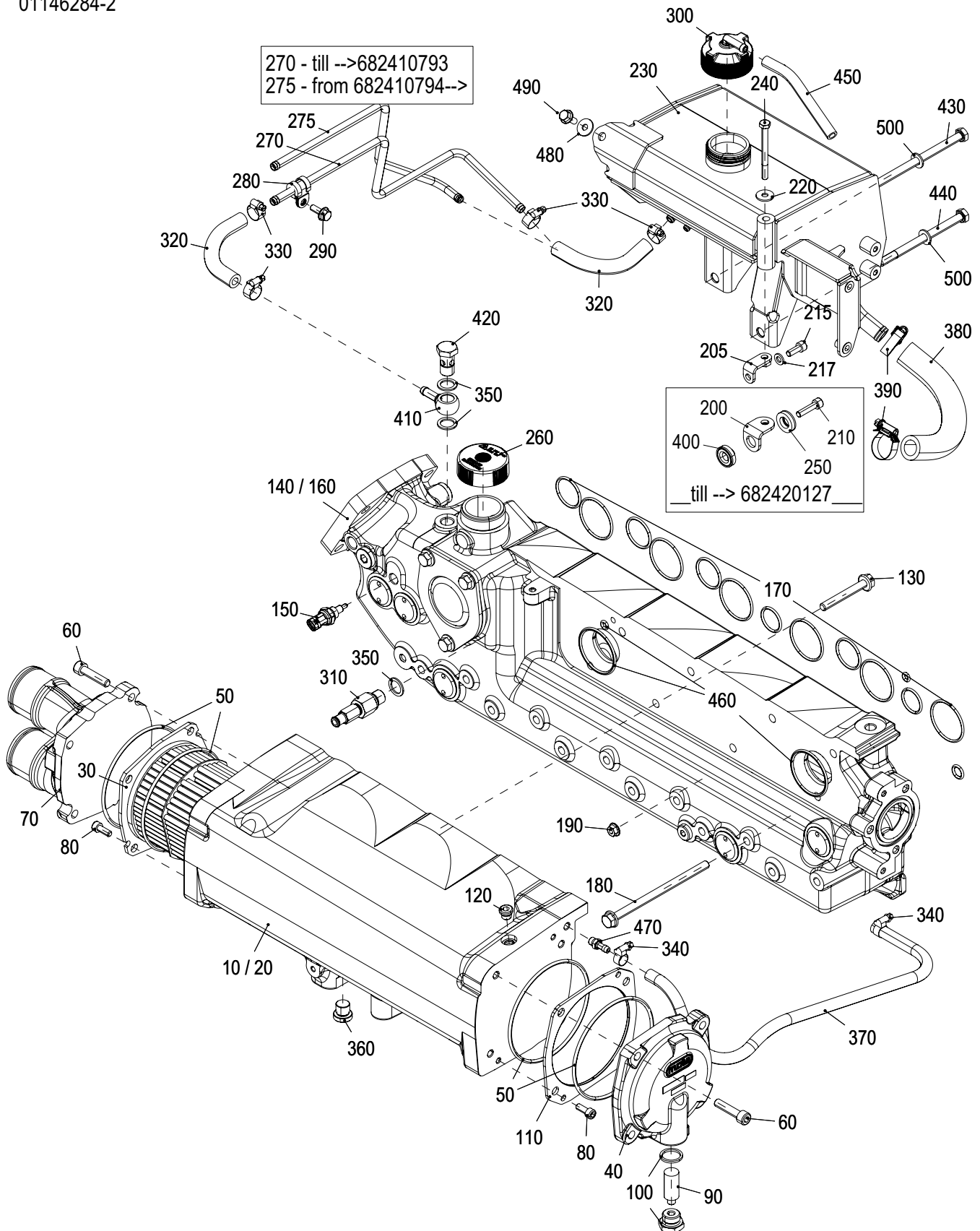


TA 0114

**SE156 E34  
MARINE**

**EXHAUST, HEAT EXCHANGER, GASKETS  
ENG. NO.: 682380753-682380758, 682381050-->AND HIGHER**

01146284-2



**EXHAUST, HEAT EXCHANGER, GASKETS  
 ENG. NO.: 682380753-682380758, 682381050-->AND HIGHER**

**SE156E34  
 MARINE**

01146284-2

Pos.	Part.-No.	Qty	Designation	Step
280	2205232-1	2	CLAMP RS1.8/15-W1	.1
290	9001001-0	2	HEX.FLANGE BOLT EN 1665-M6x16-A4-70	.1
300	2181153-0	1	RADIATOR CAP	.1
310	2180843-0	1	DRAIN COCK ASSY.	.1
320	500908	1	HOSE DN6, DMI=8 L=700±5	.1
330	2174405-0	4	HOSE CLAMP 10-16/7.5	.1
340	2178893-0	2	HOSE CLAMP 8-12-7.5	.1
350	9001171-0	3	BOUNDED SEAL 14.7x21x1.5	.1
360	9000587-0	1	SCR.PLUG WITH RUBBER SEAL M14x1.5	.1
370	500906	1	HOSE DN4, DMI=6 L=700±5	.1
380	2178942-0	1	HOSE	.1
390	2177753-0	2	HOSE CLAMP 16-25/9	.1
400	2201541-0	3	SLEEVE, W. KNITTED WIRE MESH	.1
410	2174383-0	1	BANJO DN6 DIN7642	.1
420	9000053-0	1	HO.SCR.M14x1.5-DIN7643-10-ZnNi8/An/T2	.1
430	3800493-0	1	H.BOLT ISO 4014-M8x150-8.8-FLZNNC-720H-L	.1
440	9000329-0	1	HEX.HD.BOLT ISO 4014-M8x115-A4-70	.1
450	2174682-0	1	HOSE, OVERFLOW	.1
460	500112	1	SEAL KIT, HEAT EXCHANGER - EXH. MANIFOLD	.1
470	2203376-0	1	HOSE NOZZLES WITH THREAD	.1
480	900221	1	WASHER ISO 7093-1-6-200HV-A4	.1
490	9000273-0	1	BOLT EN1665-M6x16-8.8-FLZNNC-720H-L	.1
500	3930103-0	2	WASHER ISO 7089-8-A4-200HV	.1



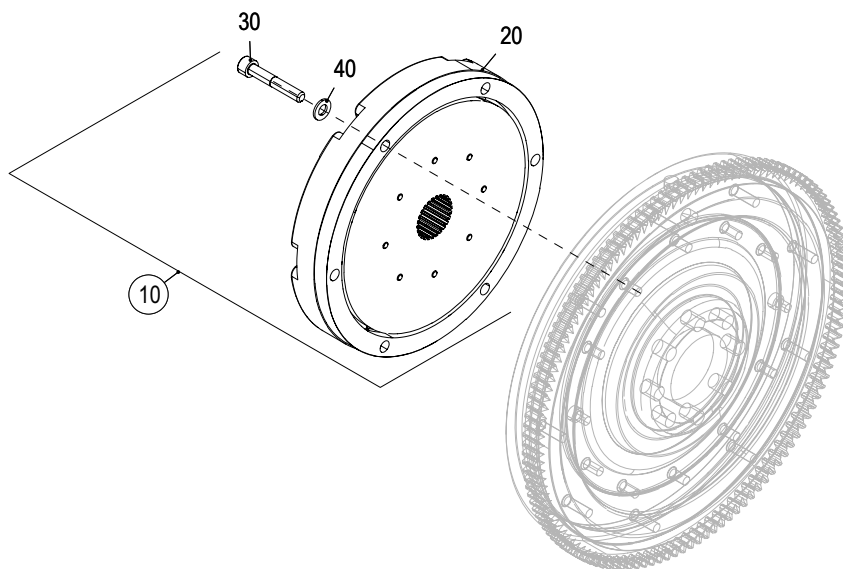


TA 0200

**SE156 E34**  
**MARINE**

**TORSIONAL COUPLING**

02006284-0





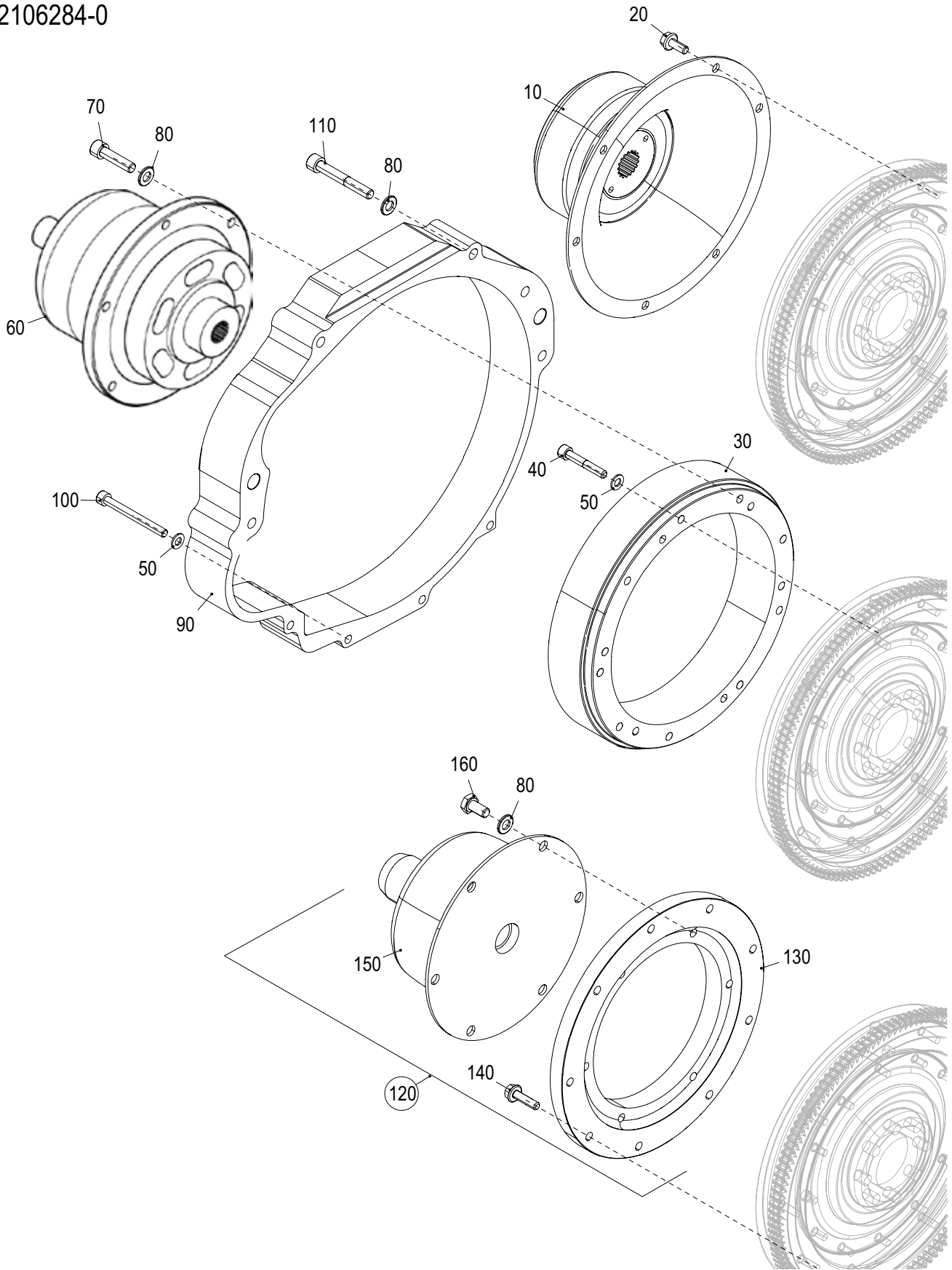


TA 0210

**SE156 E34**  
**MARINE**

## COUPLER

02106284-0





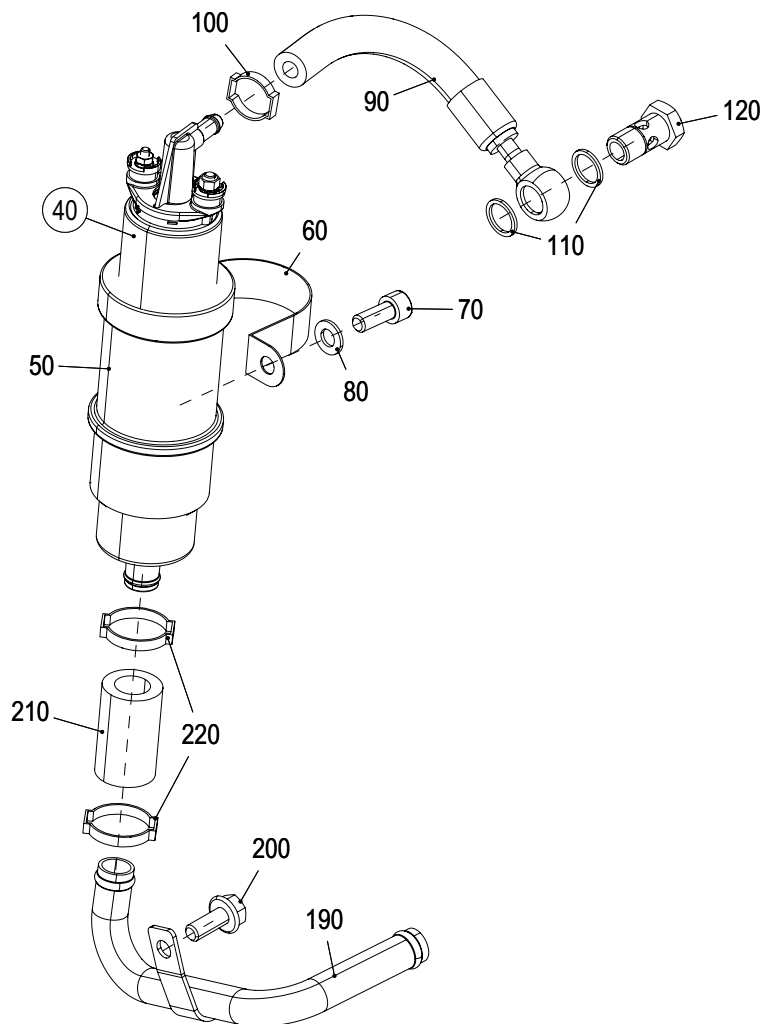
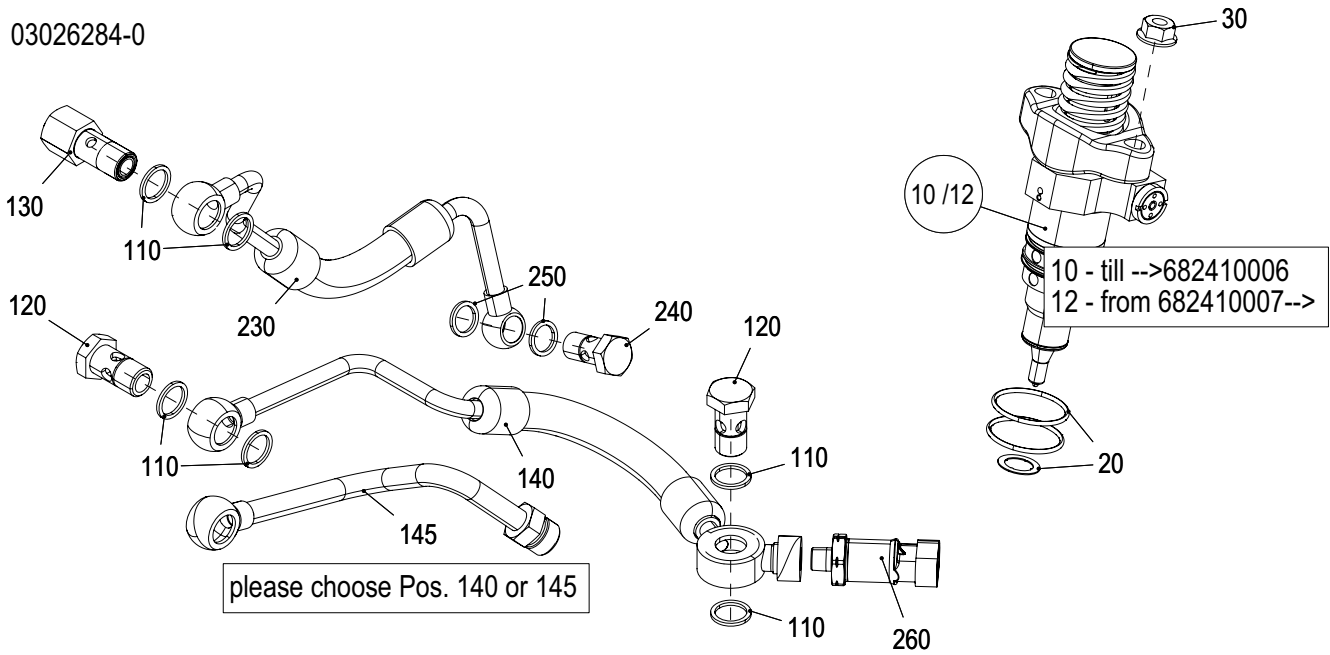


TA 0302

**SE156 E34**  
**MARINE**

## FUEL PUMP, UNIT INJECTOR, FUEL LINES

03026284-0



FUEL PUMP, UNIT INJECTOR, FUEL LINES

**SE156E34**  
**MARINE**

03026284-0

Pos.	Part.-No.	Qty	Designation	Step
10	Z002030-E	6	UNIT INJECTOR + SEALINGS	.1
12	500881	6	UNIT INJECTOR + SEALINGS	.1
20	Z002031-0	1	SEAL KIT, UNIT INJECTOR	..2
30	9000050-0	12	HEX.FLANGE NUT DIN 6331-M8-10	.1
40	500637	1	FUEL PUMP 12V ASSY.	.1
50	2173396-I	1	ISOLATING SLEEVE FUEL PUMP	.1
60	9001071-0	1	CLAMP RS2.53/20-W5	.1
70	9000063-0	2	HEX.SOCK. SCR. ISO 4762-M8x20-A4-70	.1
80	3930103-0	2	WASHER ISO 7089-8-A4-200HV	.1
90	2180865-0	1	FUEL HOSE PUMP-FILTER	.1
100	2178995-0	1	HOSE CLAMP 17.5mm	.1
110	9001171-0	8	BOUNDED SEAL 14.7x21x1.5	.1
120	9000053-0	3	HO.SCR.M14x1.5-DIN7643-10-ZnNi8/An/T2	.1
130	800052	1	PRESSURE LIMIT VALVE	.1
140	2180891-0	1	FUEL HOSE ASSY.	.1
145	708320	1	PIPE FUEL INLET	.1
190	2180851-0	1	FUEL PIPE	.1
200	9000305-0	1	BOLT EN1665-M8x20-10.9-FLZNNC-720H-L	.1
210	500890	1	FUEL SUPPLY HOSE PUMP - FILTER	.1
220	2180670-0	2	HOSE CLAMP 27mm	.1
230	2180892-0	1	FUEL HOSE ASSY. BLOCK - COOLER	.1
240	11868	1	HO.SCR.M12x1.5-DIN7643-8-3-FLZNNC-720H-L	.1
250	9001170-0	2	BOUNDED SEAL 12.7x19x1.5	.1
260	2180804-0	1	PRESSURE SENSOR	.1



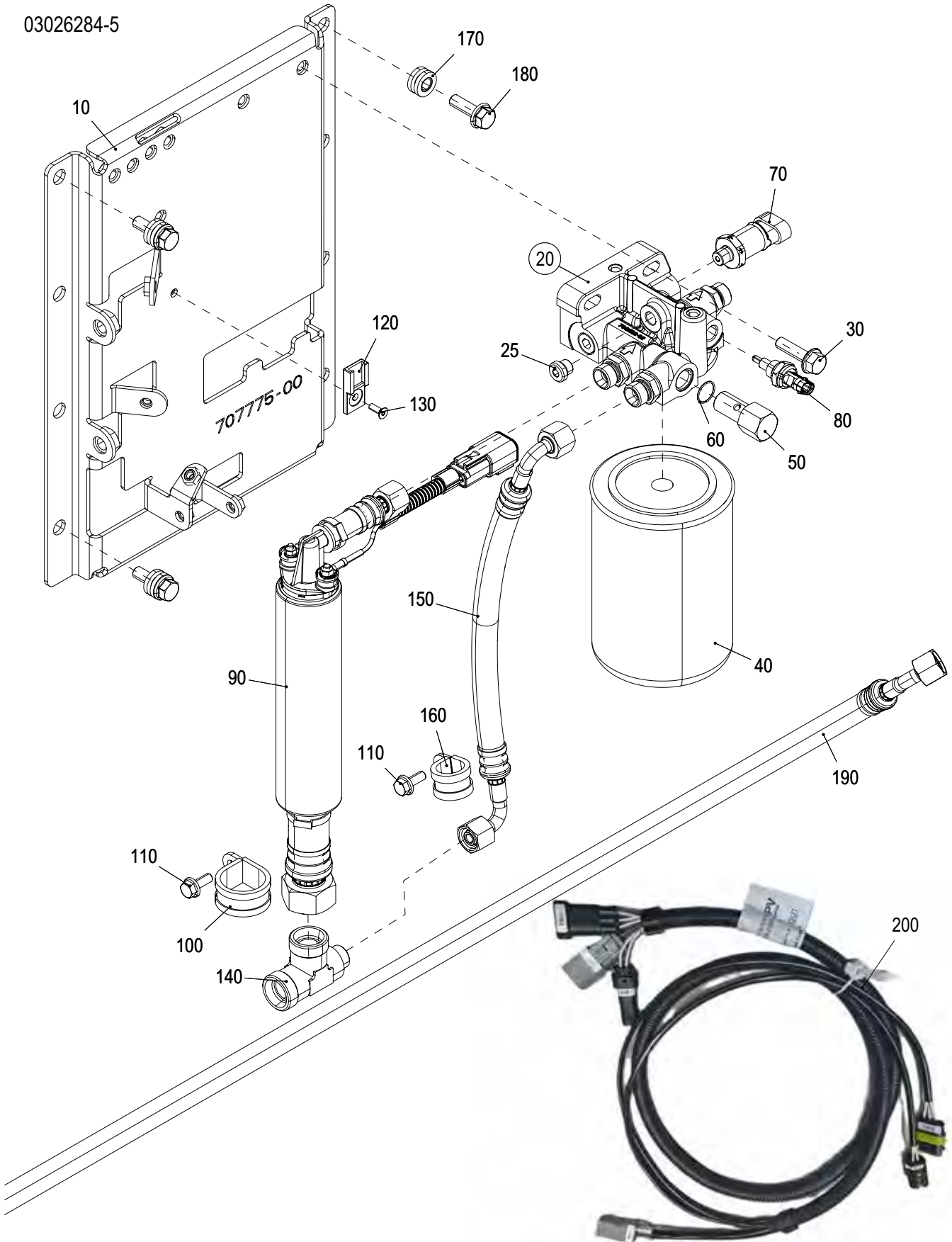


TA 0302

## SE156 E34 MARINE

### FUEL SYSTEM EXTERNAL FROM 06/2024

03026284-5





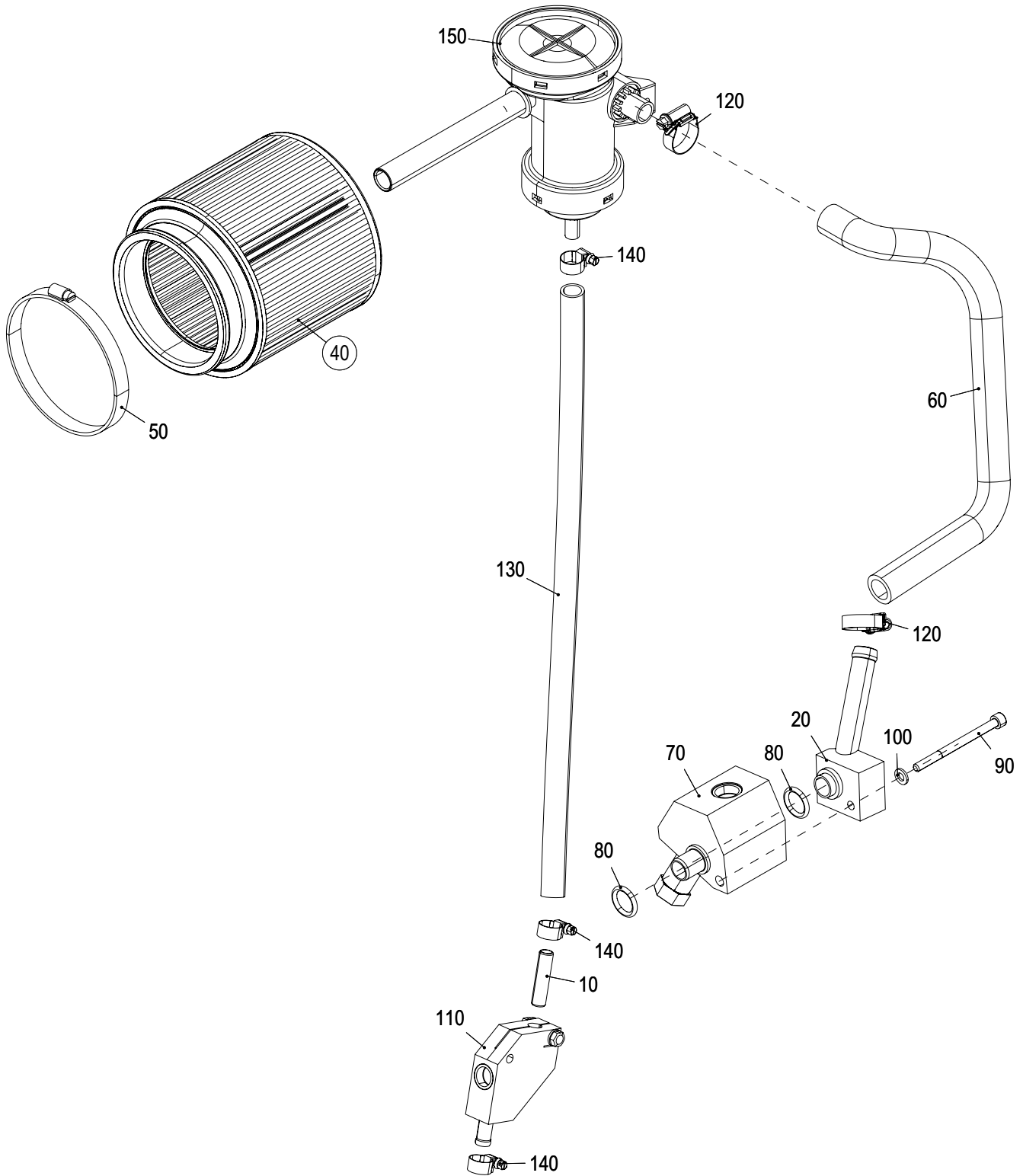


TA 0304

**SE156 E34  
MARINE**

**AIRFILTER, INVERSIONVALVE SOLAS**

03046284-1





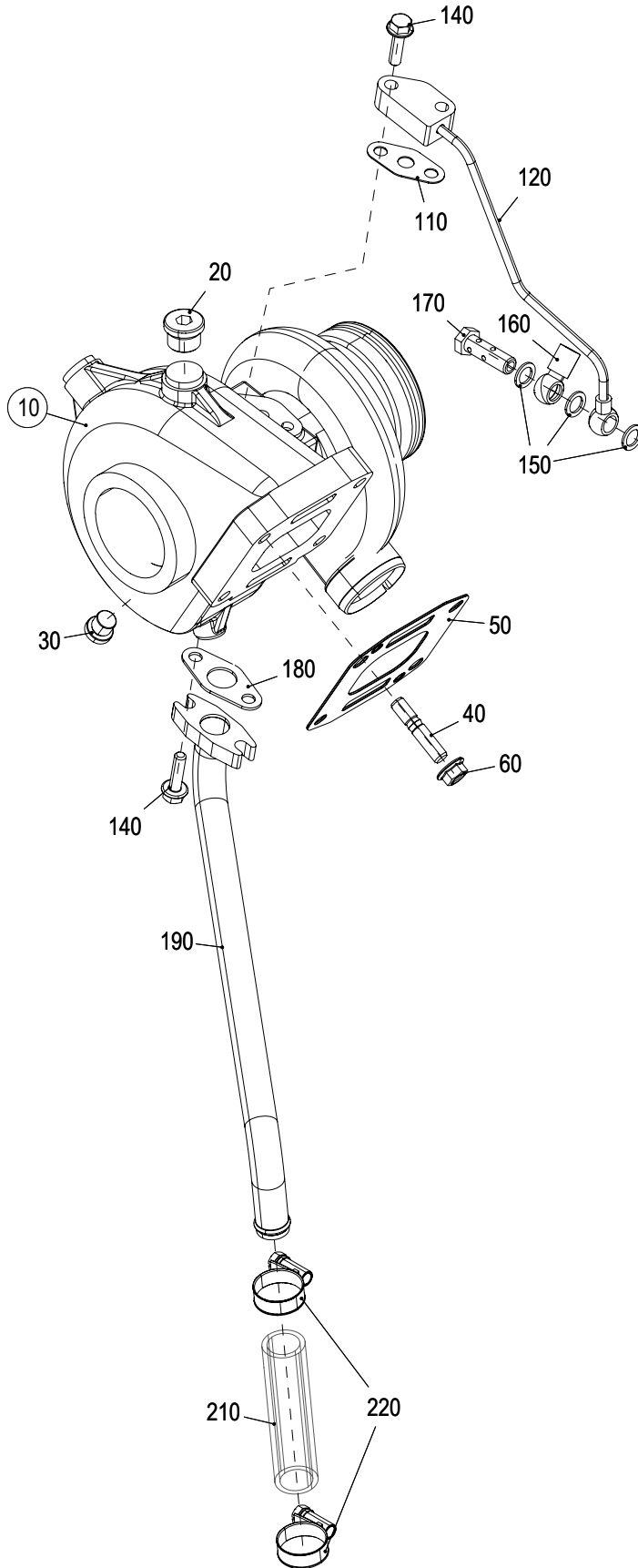


TA 0305

**SE156 E34**  
**MARINE**

**TURBO**

03056284-1





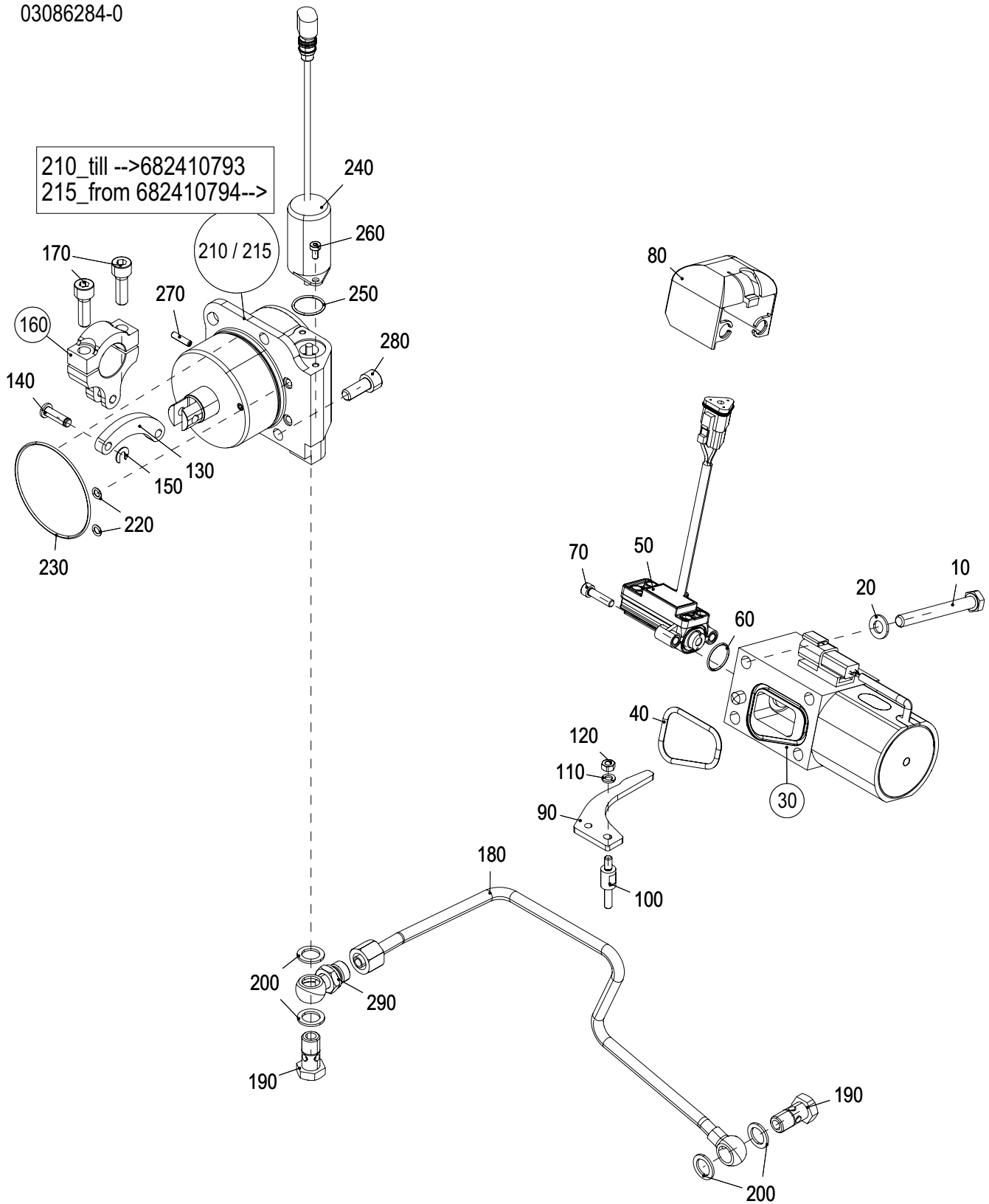


TA 0308

**SE156 E34**  
**MARINE**

## CONTR. SOLENOID, INJEC. TIMING DEVICE

03086284-0



## CONTR. SOLENOID, INJEC. TIMING DEVICE

**SE156E34**  
**MARINE**

03086284-0

Pos.	Part.-No.	Qty	Designation	Step
10	9000446-1	4	HEX.HD.BOLT ISO 4014-M8x70-A4-70	.1
20	3930103-0	4	WASHER ISO 7089-8-A4-200HV	.1
30	Z002153-0	1	CONTROL SOLENOID	.1
40	2179707-0	1	O-RING 43x3.5	..2
50	Z002160-0	1	SENSOR, CONTROL RACK POSITION	..2
60	2179708-0	1	O-RING 18x1.5	..2
70	9000116-1	2	HEX.SOCK. SCR. ISO 4762-M5x20-A2-70	..2
80	2179766-0	1	PROTECTING CAP, RACK-SENSOR	..2
90	2176745-2	1	CONTROL-LEVER	.1
100	2176746-1	2	DISTANCE-SHAFT	.1
110	3931062-0	4	SP.LO.WASH. DIN 127-B5-FST-FLZNNC-480H	.1
120	3871222-0	4	HEX.NUT ISO 4032-M5-8-FLZNNC-720H-L	.1
130	2205591-0	1	CONNECTING ROD	.1
140	2205593-0	2	PARALLEL PIN	.1
150	9000483-0	2	RETAINING WASHER F.SHAFT DIN 6799-5	.1
160	500967	1	TORSION ARM ASSY.	.1
170	9000737-0	2	HEX.SOCK. SCR. ISO 4762-M8x25-10.9	..2
180	701425	1	OIL SUPPLY PIPE ASSY. ITD	.1
190	11868	2	HO.SCR.M12x1.5-DIN7643-8-3-FLZNNC-720H-L	.1
200	9001170-0	4	BOUNDED SEAL 12.7x19x1.5	.1
210	Z026135-0	1	INJEC. TIMING DEVICE ASSY. (RAL9006)	.1
215	500950	1	INJEC. TIMING DEVICE ASSY. (RAL9006)	.1
220	2179365-0	2	O-RING 5x1.5-NBR70-ISO3601-1A	..2
230	2179369-0	1	O-RING 66.4x1.78-NBR70-ISO3601-1A	..2
240	2181491-0	1	MAGNETIC VALVE - ITD	..2
250	2179391-0	1	O-RING 19x1.5-NBR70-ISO3601-1A	..2
260	900632	2	HEX.SOCK. SCR. DIN 7984-M4x8-A2-70	..2
270	9000499-0	2	SET SCREW ISO 4029-M4x16-A4-70	.1
280	9000063-0	3	HEX.SOCK. SCR. ISO 4762-M8x20-A4-70	.1
290	2180866-0	1	BANJO	.1





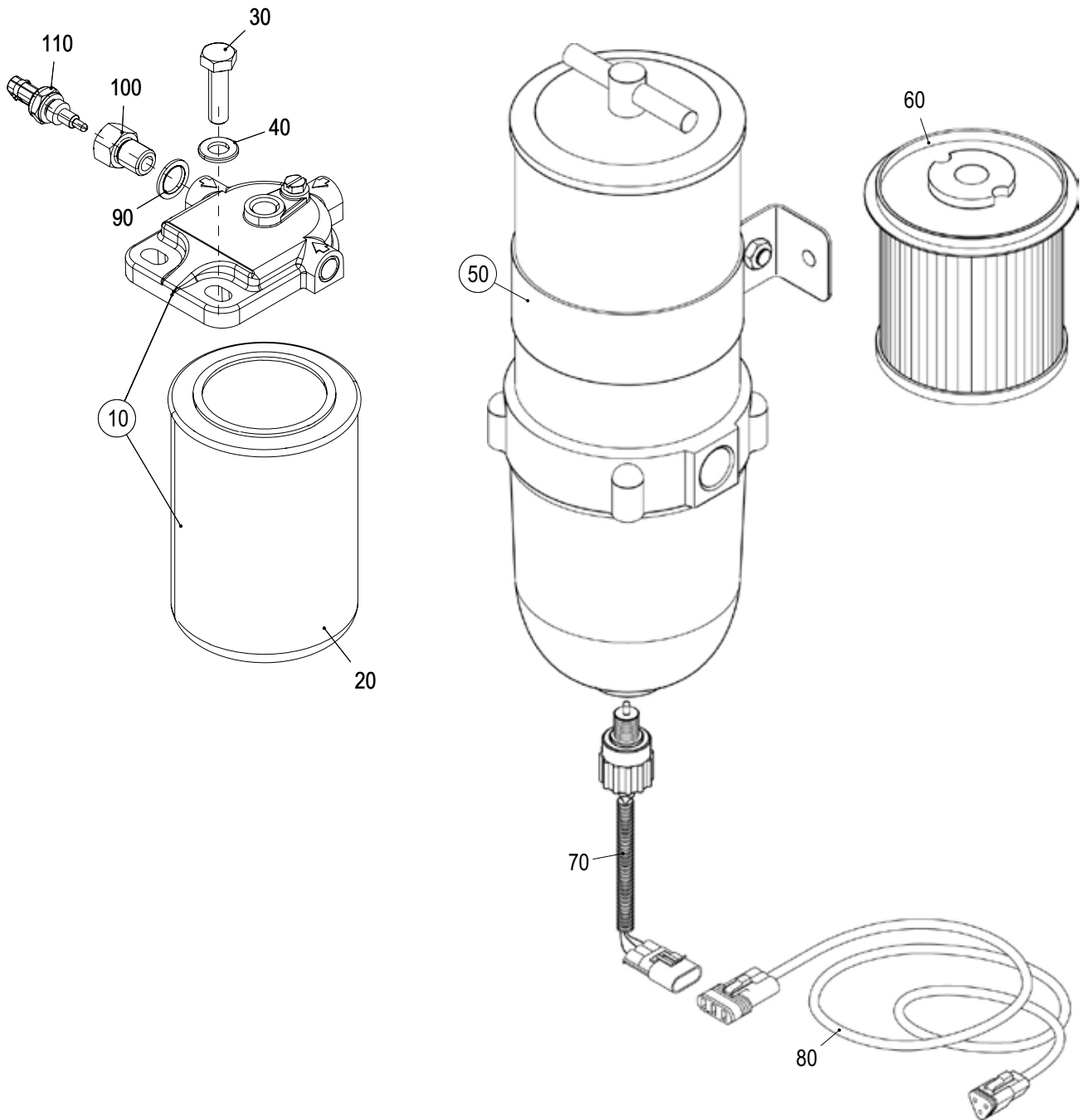
TA 0309

**SE156 E34**  
**MARINE**

## FUEL FILTER

03096284-0

Pos. 90-110 from 682410007-->





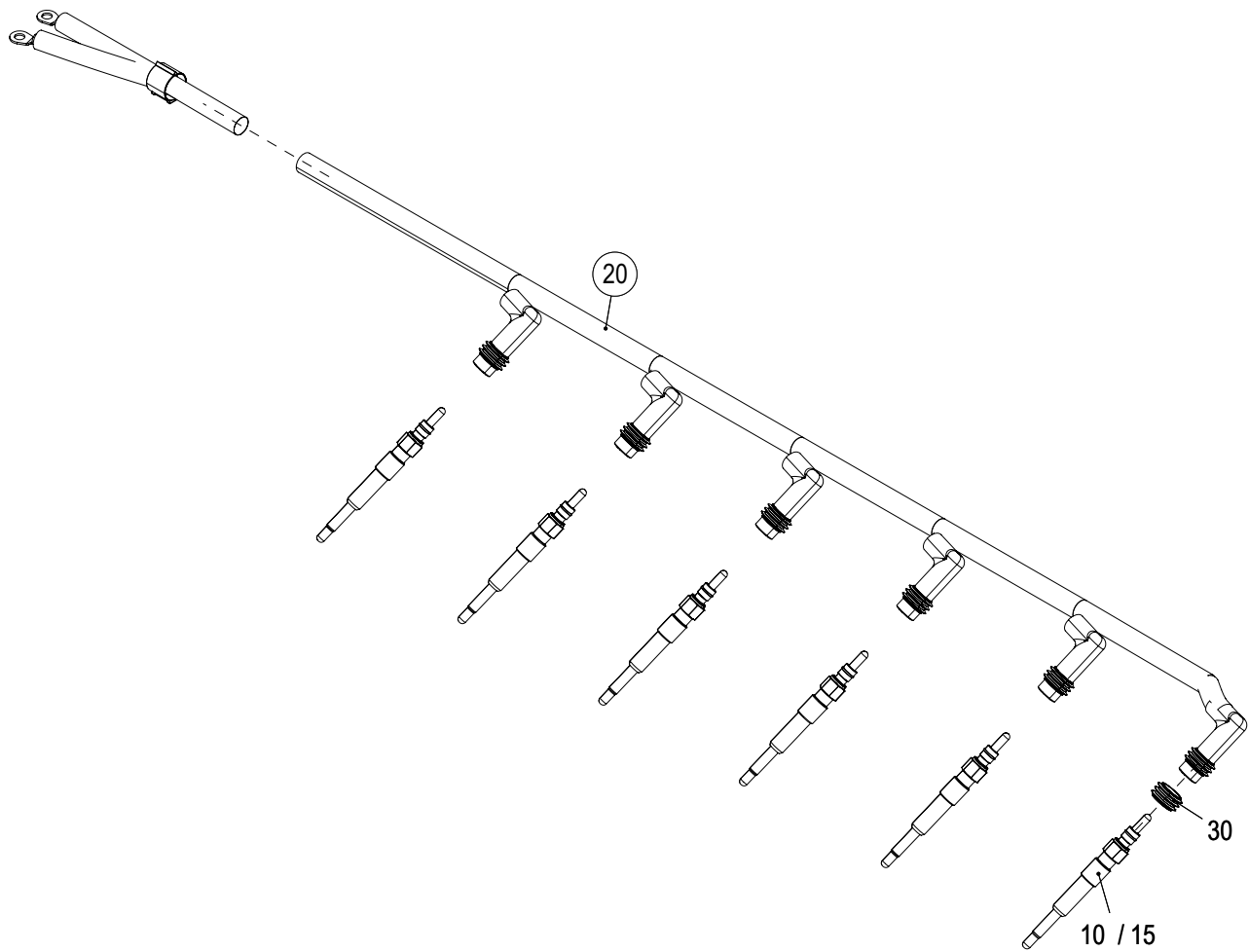


TA 0311

**SE156 E34**  
**MARINE**

**GLOW PLUG**

03116084-0





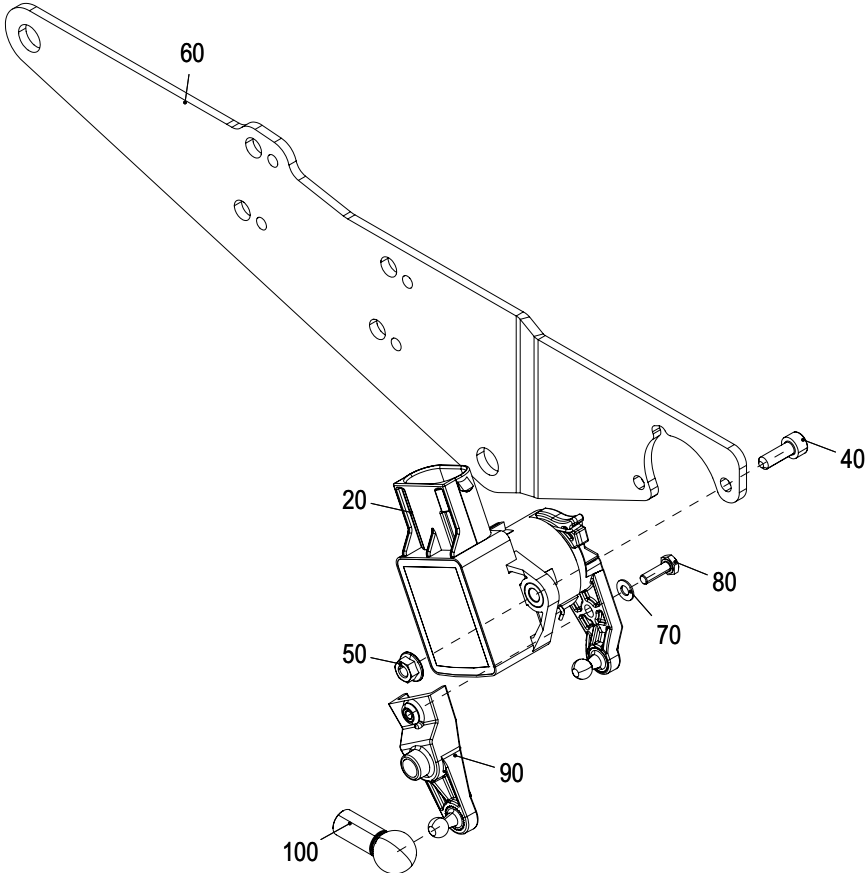


TA 0312

**SE156 E34**  
**MARINE**

POTENTIOMETER ACCELERATOR

03126284-1





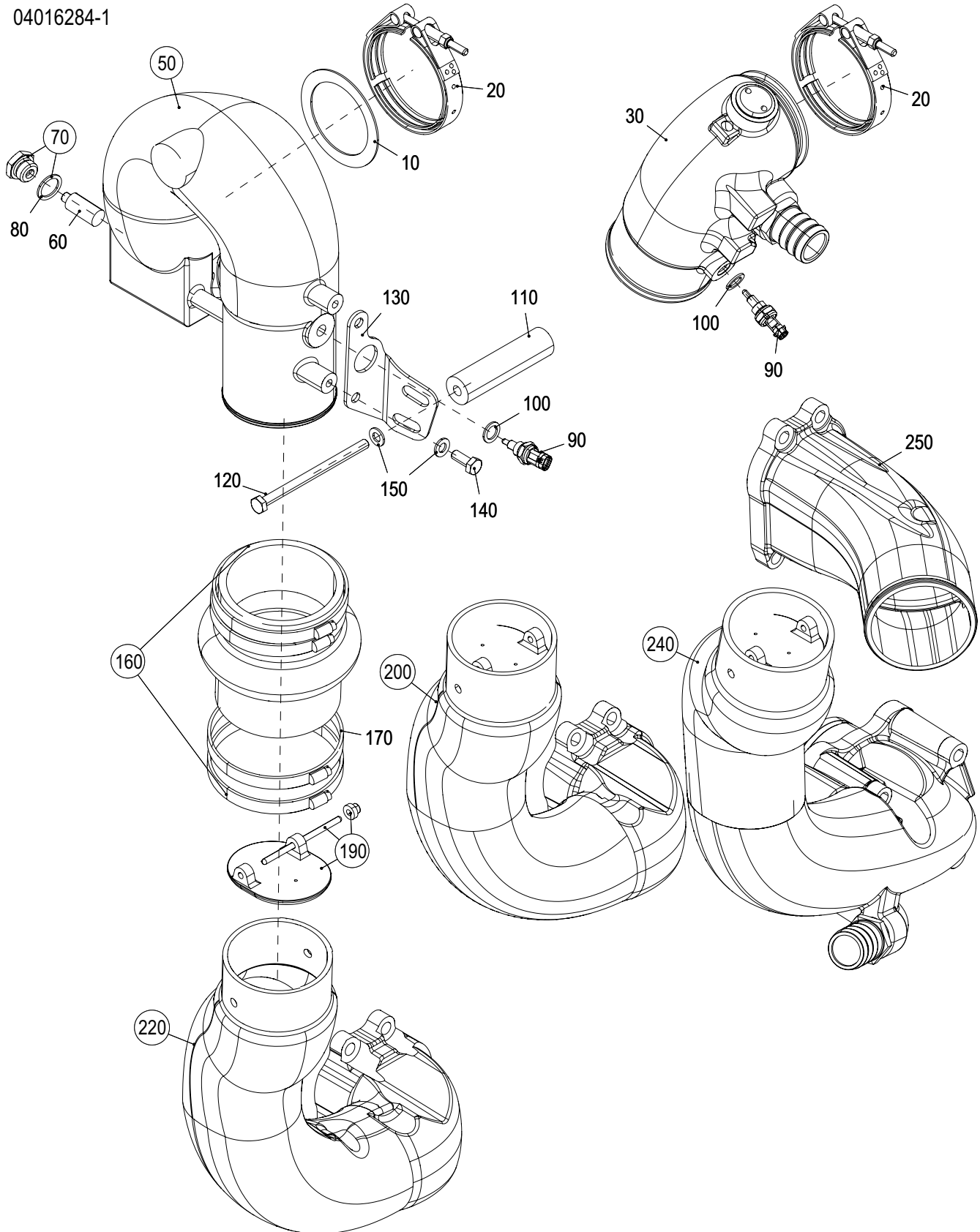


TA 0401

**SE156 E34**  
**MARINE**

## HIGH RISER, EXHAUSTPIPE

04016284-1





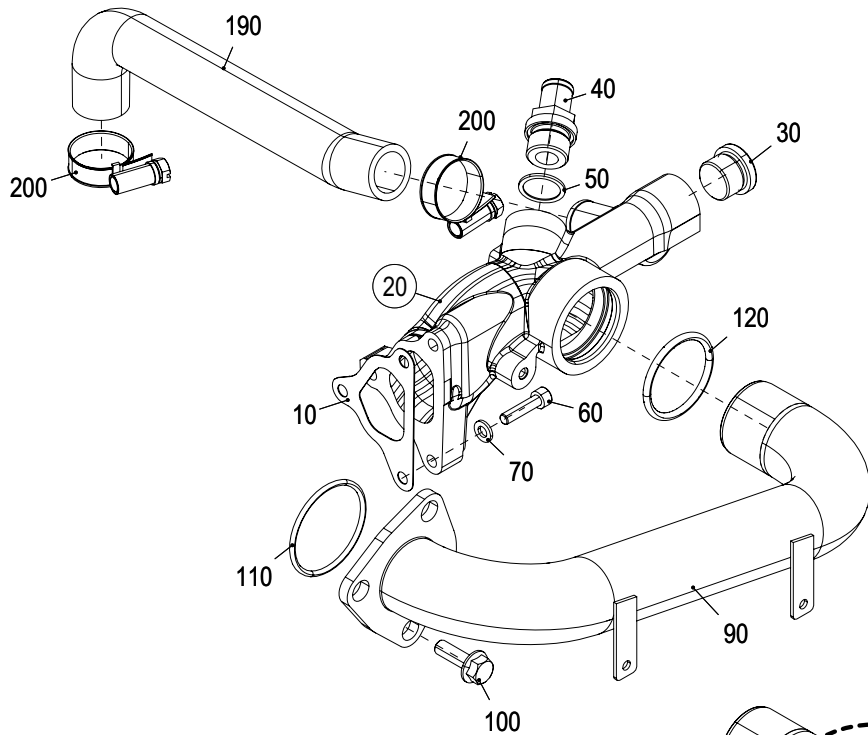
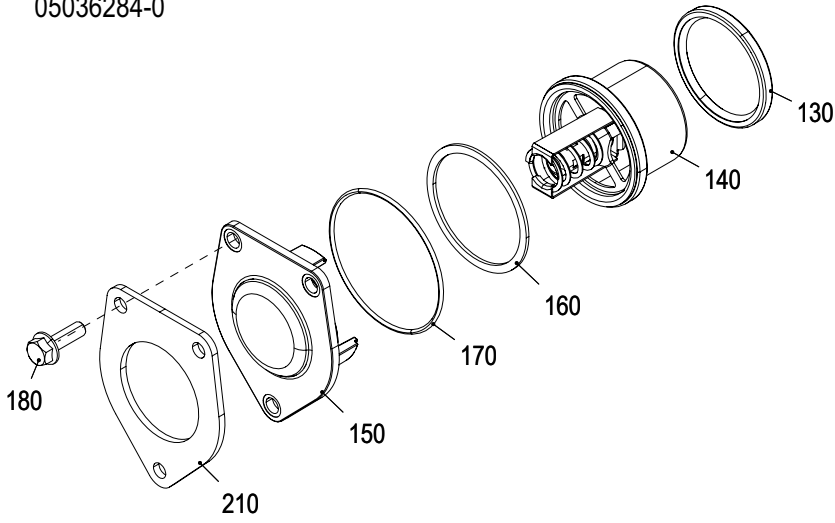


TA 0503

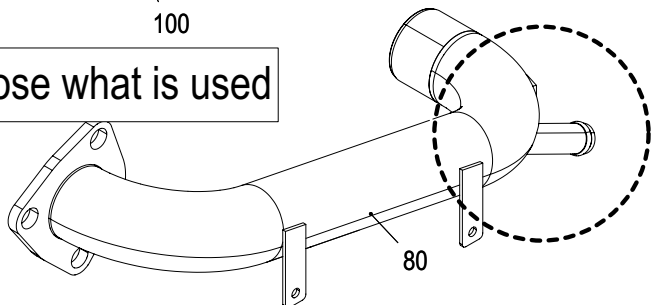
**SE156 E34  
MARINE**

**WATERPIPE, THERMOSTAT**

05036284-0



80 or 90 - please choose what is used





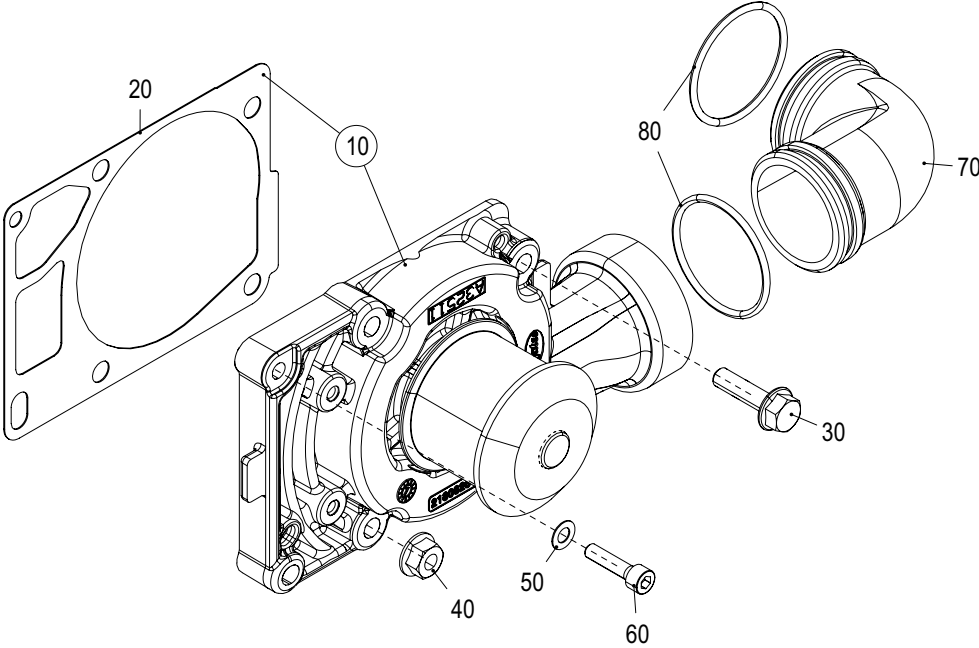


TA 0504

**SE156 E34  
MARINE**

**WATERPUMP**

05046284-0





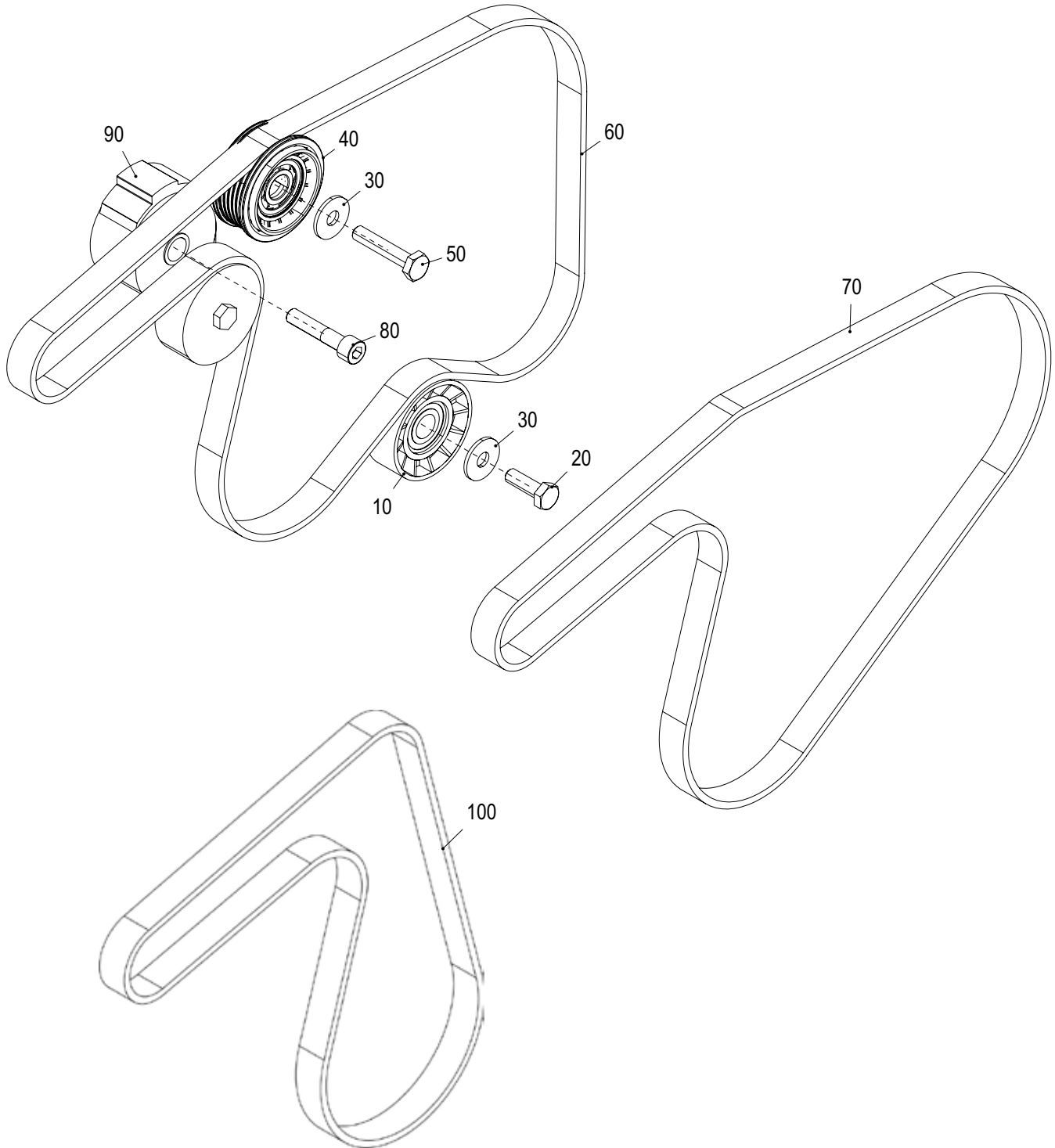


TA 0505

**SE156 E34  
MARINE**

**DRIVE BELTS, PULLEYS, TENSIONER**

05056284-0





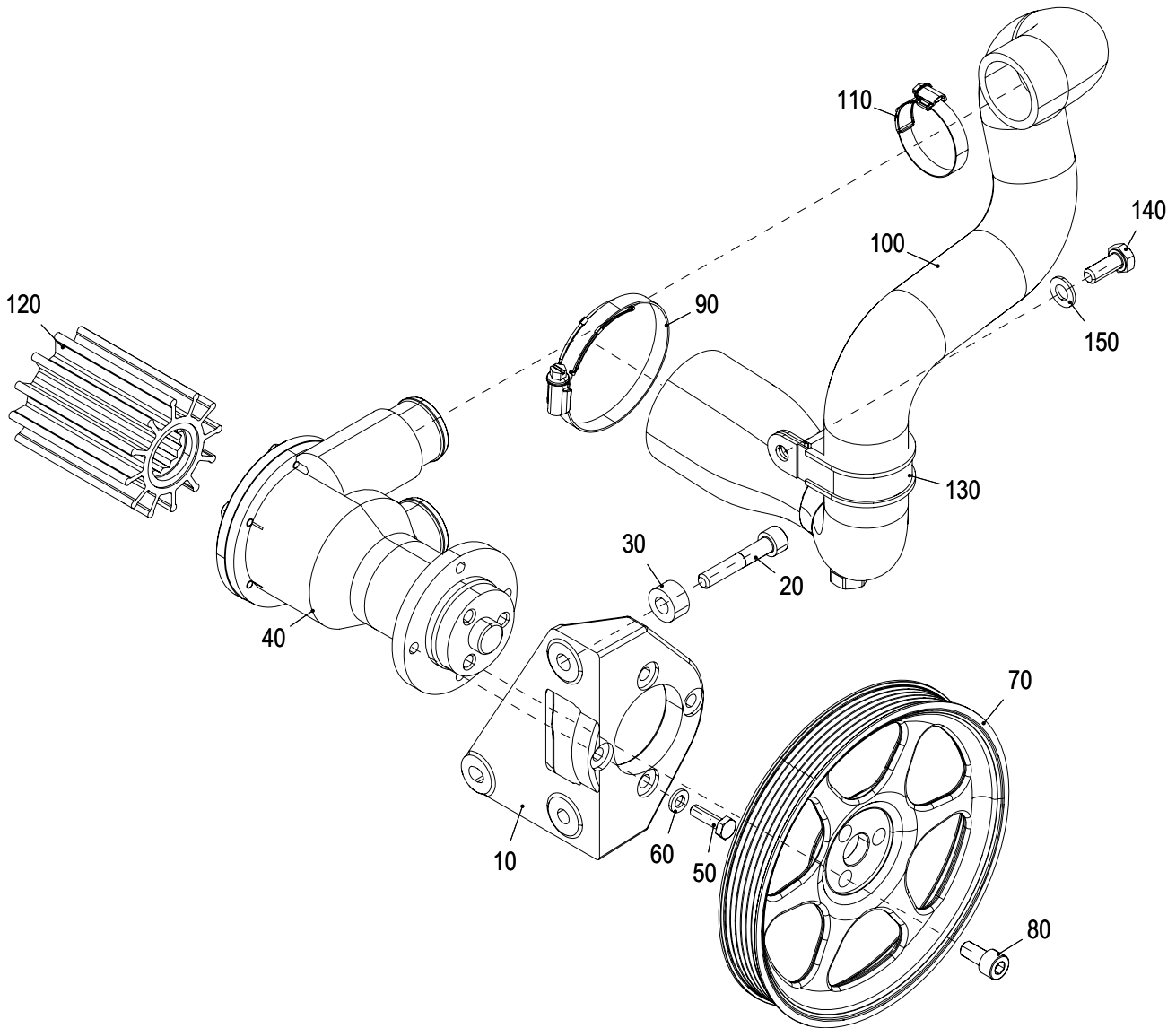


TA 0510

**SE156 E34**  
**MARINE**

**RAW WATER PUMP**

05106284-0





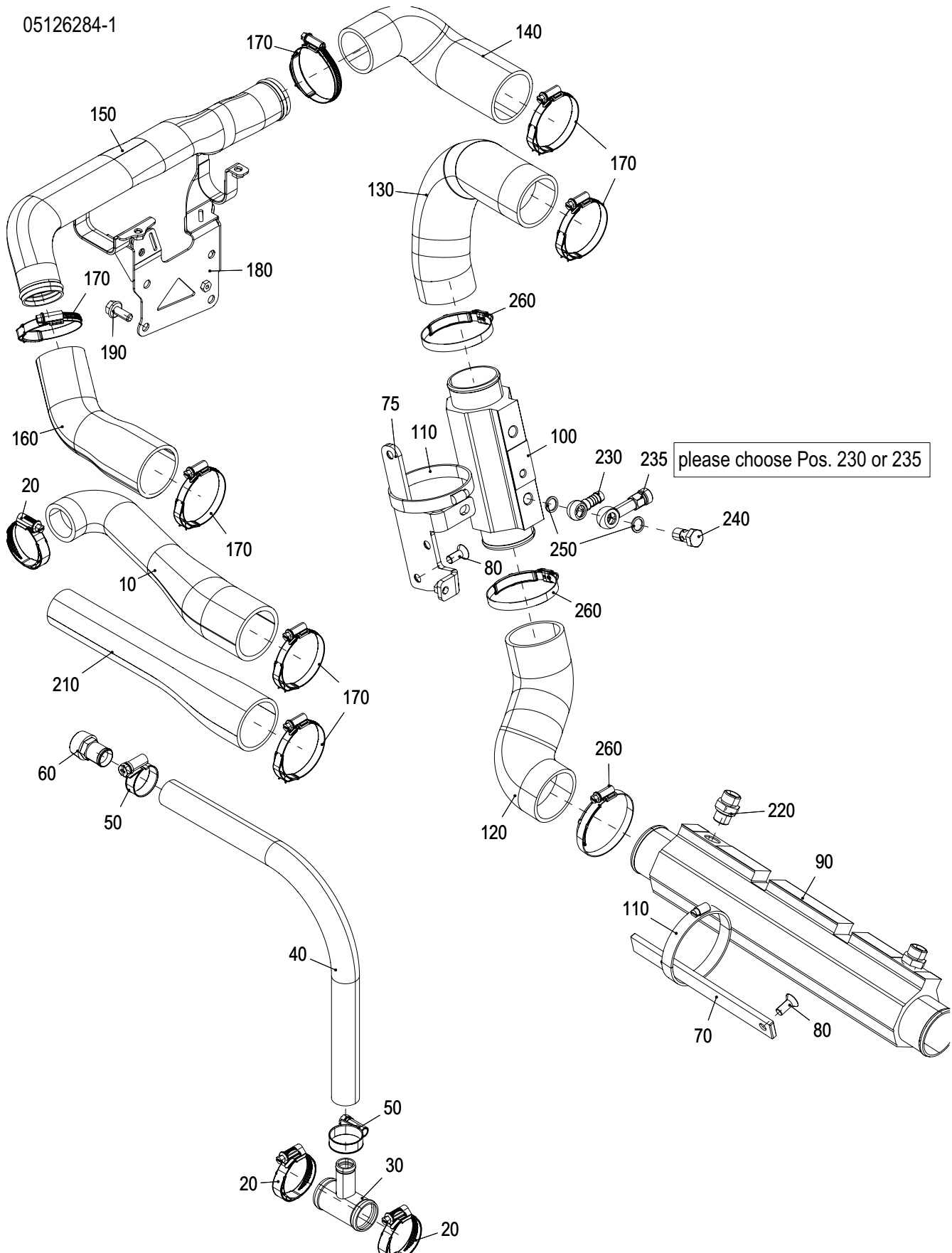


TA 0512

## SE156 E34 MARINE

### RAW WATER PIPES

05126284-1





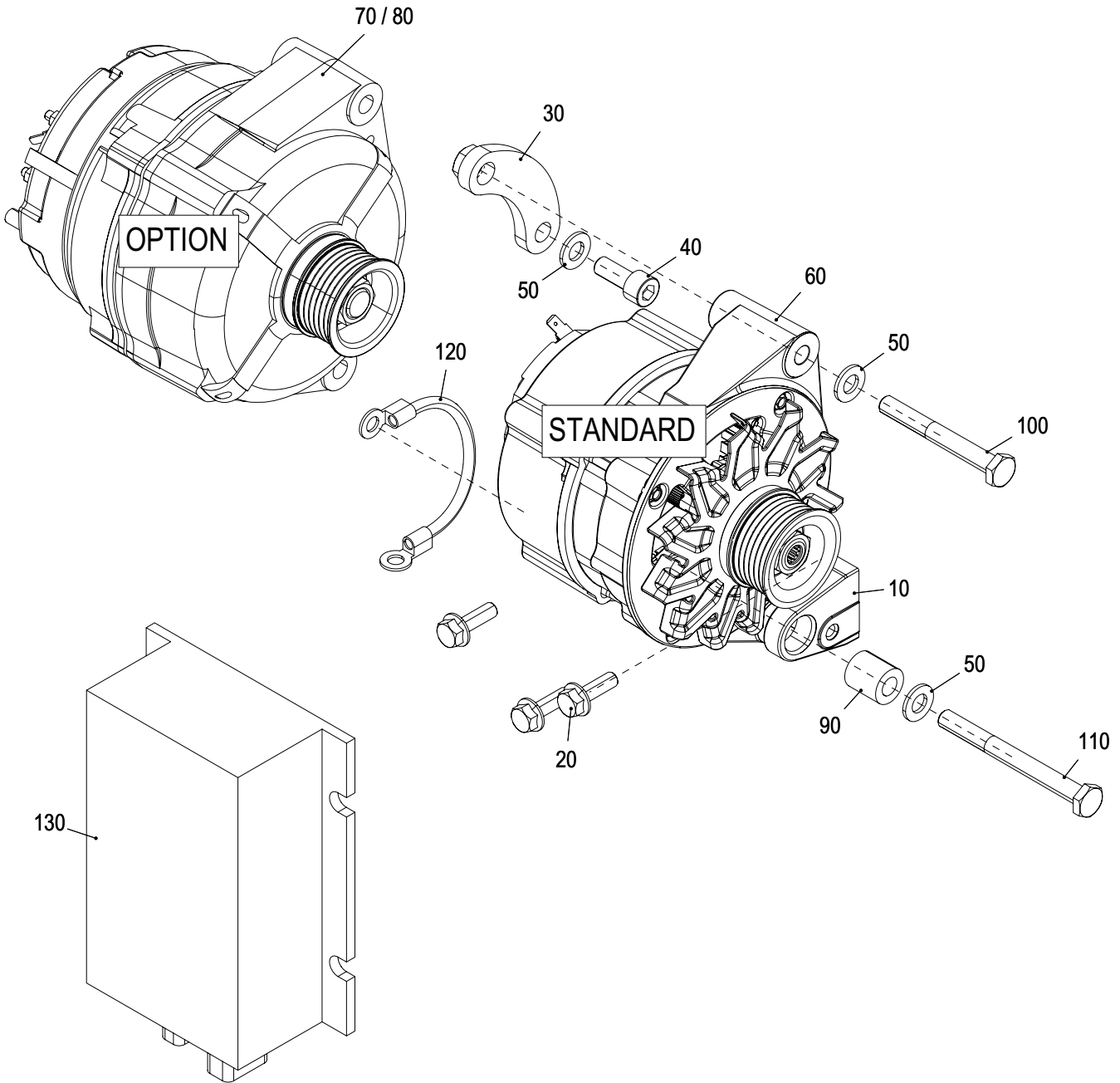


TA 0601

**SE156 E34**  
**MARINE**

## ALTERNATOR

06016284-0





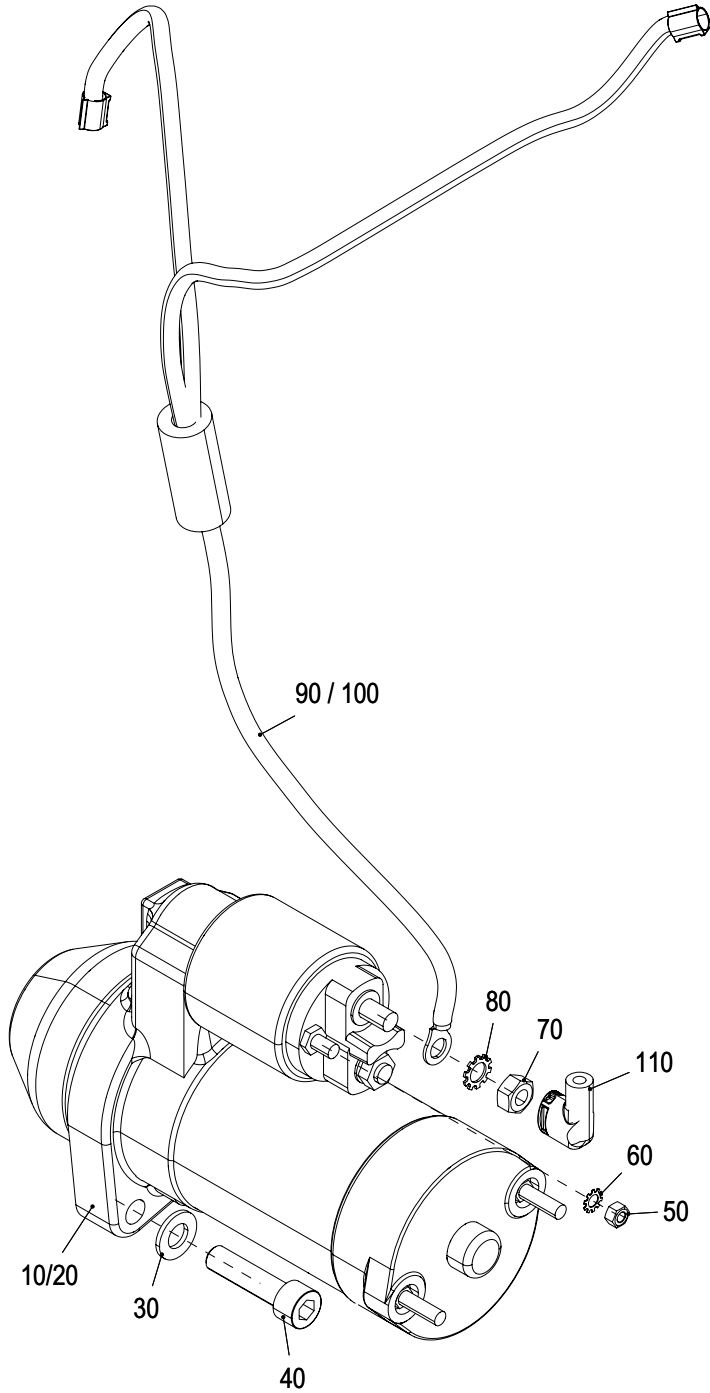


TA 0603

**SE156 E34**  
**MARINE**

STARTER

06036284-0





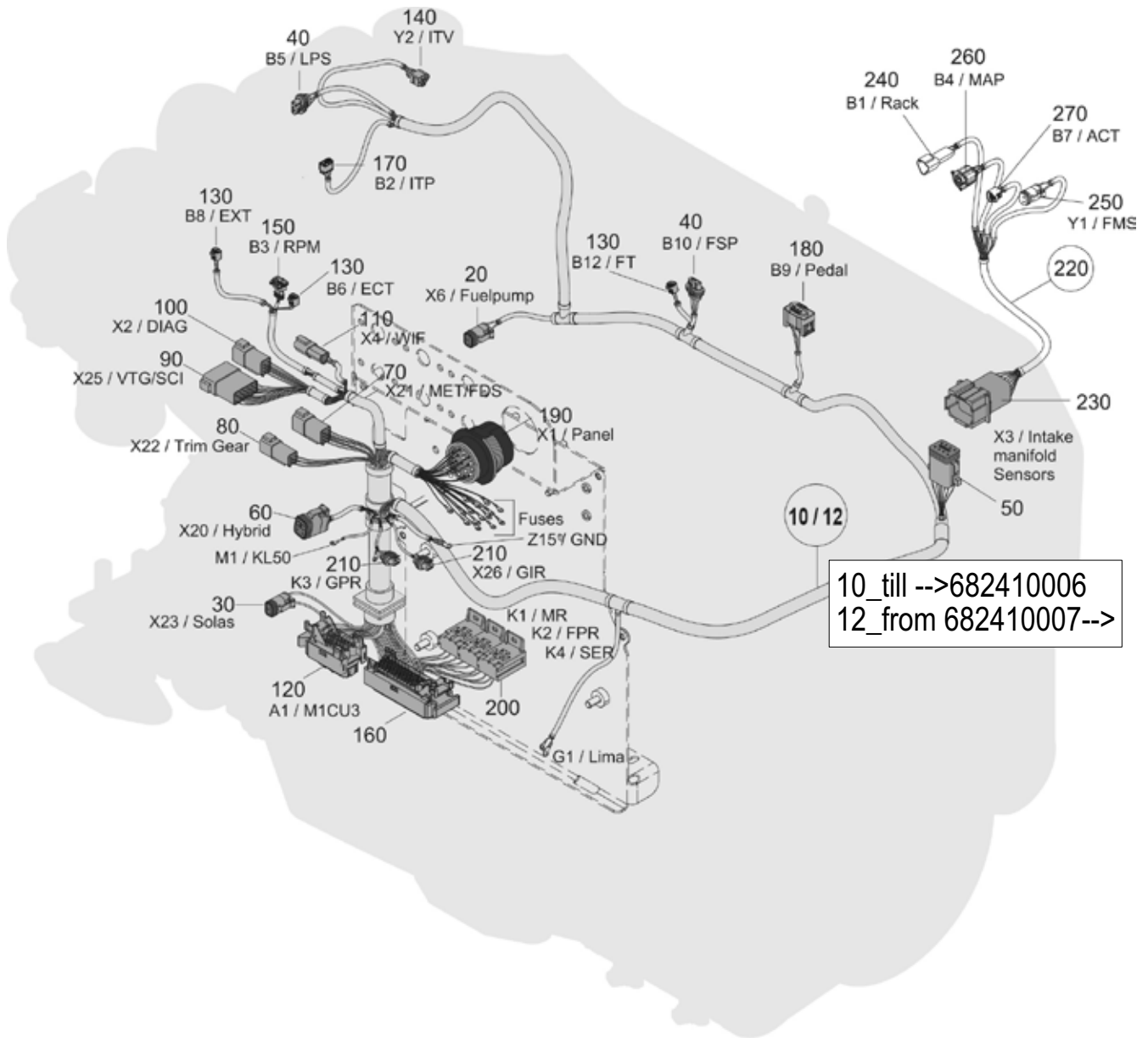


TA 0605

**SE156 E34**  
**MARINE**

## ENGINE HARNESS

06056284-0



10\_till -->682410006  
12\_from 682410007-->



<b>ENGINE HARNESS</b>	<b>SE156E34 MARINE</b>
-----------------------	----------------------------

06056284-0

Pos.	Part.-No.	Qty	Designation	Step
10	Z026128-0	1	ENG.HARN.INCL.BASE PLATE & RUBBER MOUNTS	.1
12	500891	1	ENG.HARN.INCL.BASE PLATE & RUBBER MOUNTS	.1
20	Z002417-1	1	PLUG COMPLETE 2-POLE	.2
30	Z002417-0	1	PLUG COMPLETE 2-POLE	.2
40	Z002203-0	2	PLUG COMPLETE 3-POLE	.2
50	Z002204-0	1	PLUG COMPLETE 8-POLE	.2
60	Z002649-0	1	PLUG COMPLETE 6-POLE	.2
70	Z002415-0	1	PLUG COMPLETE 6-POLE	.2
80	Z002205-0	1	PLUG COMPLETE 4-POLE	.2
90	Z002206-0	1	PLUG COMPLETE 12-POLE	.2
100	Z002211-0	1	PLUG COMPLETE 6-POLE	.2
110	Z002416-0	1	PLUG COMPLETE 3-POLE	.2
120	Z002207-0	1	PLUG COMPLETE 28-POLE	.2
130	Z002208-0	3	PLUG COMPLETE 2-POLE	.2
140	Z002645-0	1	PLUG COMPLETE 2-POLE	.2
150	Z002412-0	1	PLUG COMPLETE 3-POLE	.2
160	Z002209-0	1	PLUG COMPLETE 52-POLE	.2
170	Z002643-0	1	PLUG COMPLETE 4-POLE	.2
180	Z002414-2	1	PLUG COMPLETE 6-POLE	.2
190	Z002410-A	1	PLUG COMPLETE 23-POLE	.2
200	9000421-0	3	RELAY SOCKET	.2
210	Z002210-0	2	PLUG COMPLETE 2-POLE	.2
220	Z026129-0	1	HARNESS ASSY., INTAKE MANIFOLD	.2
230	Z002092-0	1	PLUG COMPLETE 8-POLE	.2
240	Z002416-0	1	PLUG COMPLETE 3-POLE	.2
250	Z002417-0	1	PLUG COMPLETE 2-POLE	.2
260	Z002139-0	1	PLUG COMPLETE 3-POLE	.2
270	Z002208-0	1	PLUG COMPLETE 2-POLE	.2



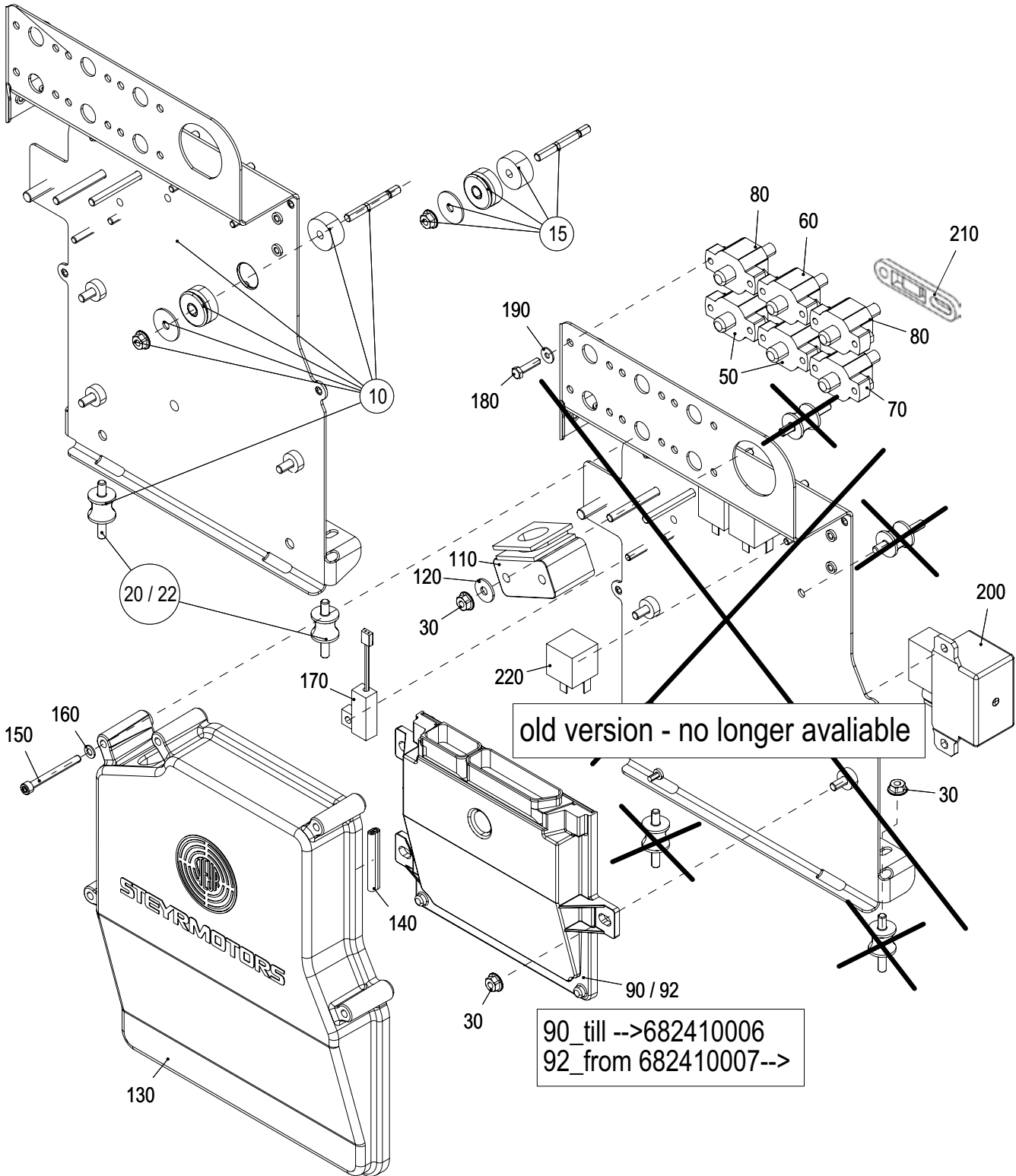


TA 0606

## SE156 E34 MARINE

### SECURITYSYSTEM, FUSES, ECU, E- BOX

06066284-A





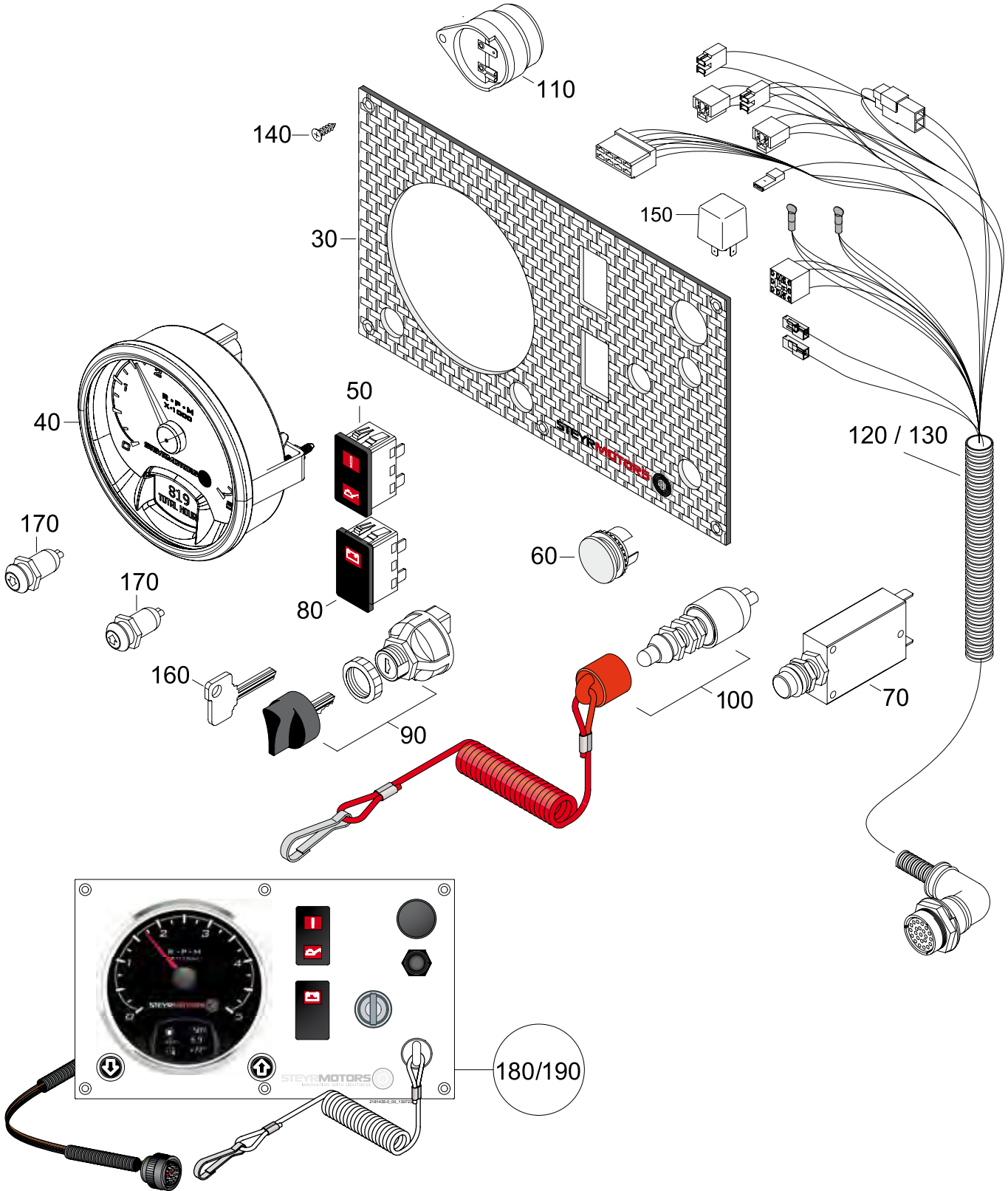


TA 0607

## SE156 E34 MARINE

### INSTRUMENT PANEL (STANDARD FROM 2013/08)

06072184-2





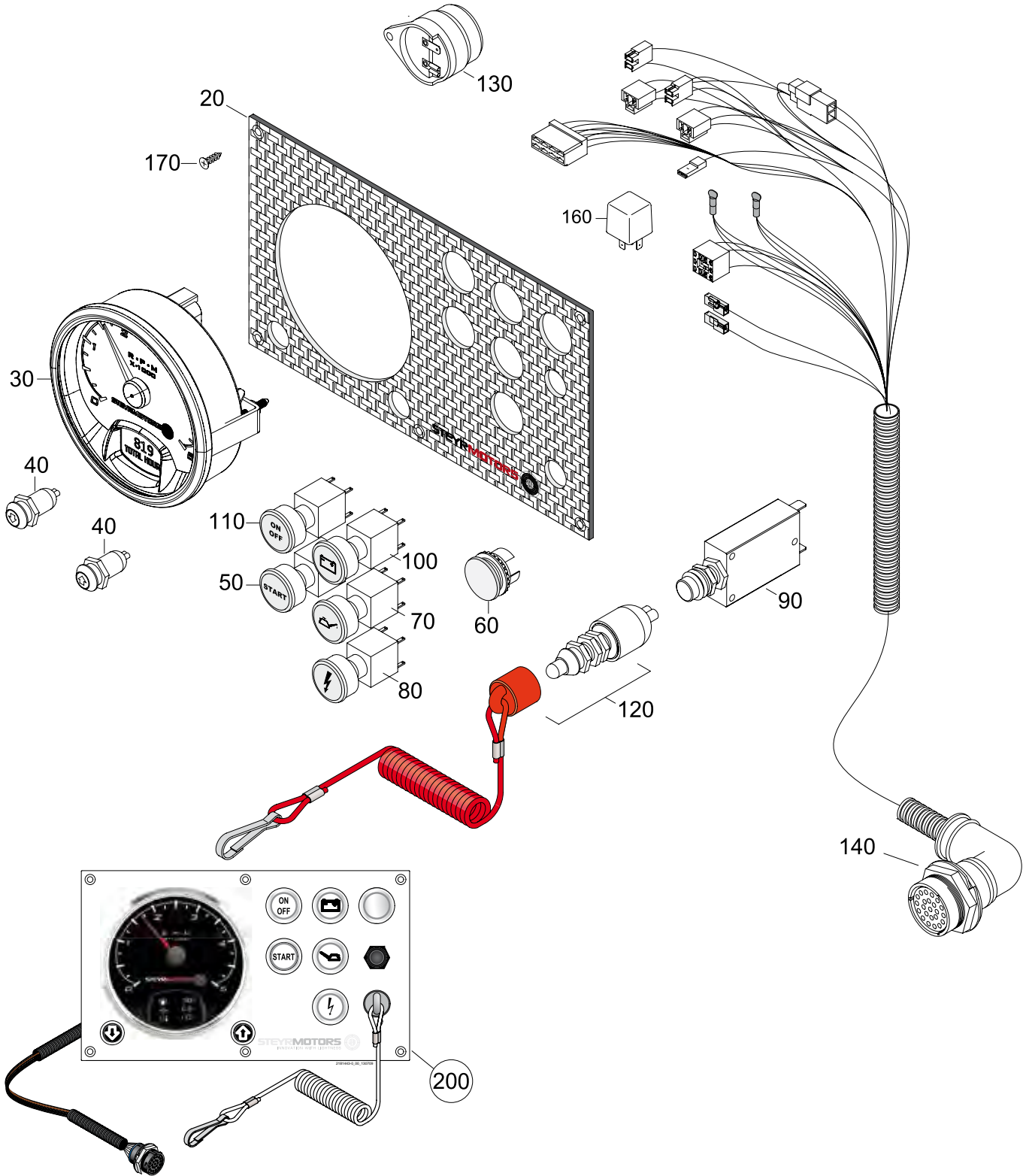


TA 0609

## SE156 E34 MARINE

### INSTRUMENT PANEL SOLAS (FROM 2013/08)

06092184-5







TA 0610

**SE156 E34  
MARINE**

SCC 2 -DISPLAY (STEYR CONTROL CENTER)

06106184-4





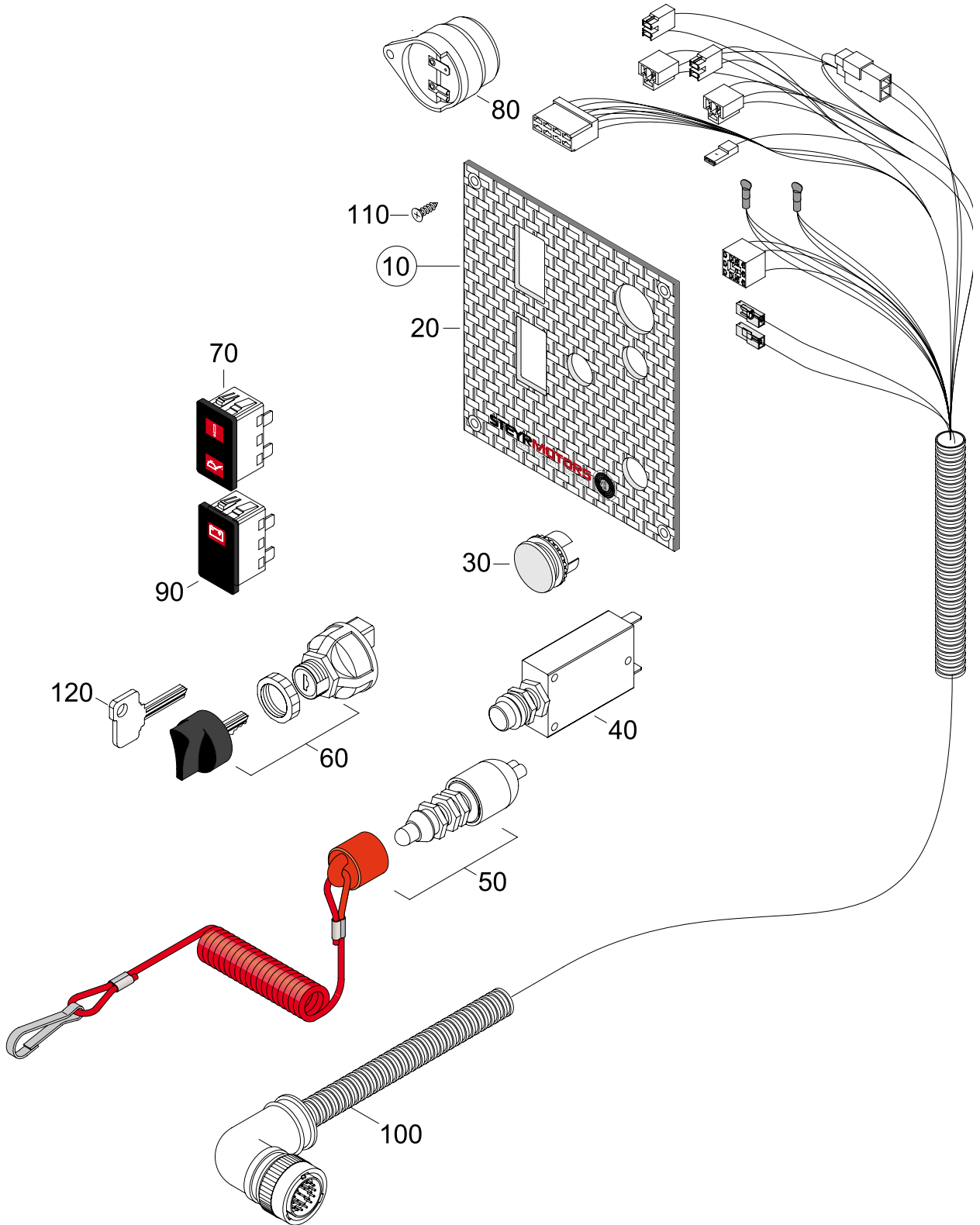


TA 0611

**SE156 E34**  
**MARINE**

## SCC KEY IGNITION PANEL

06112184-1





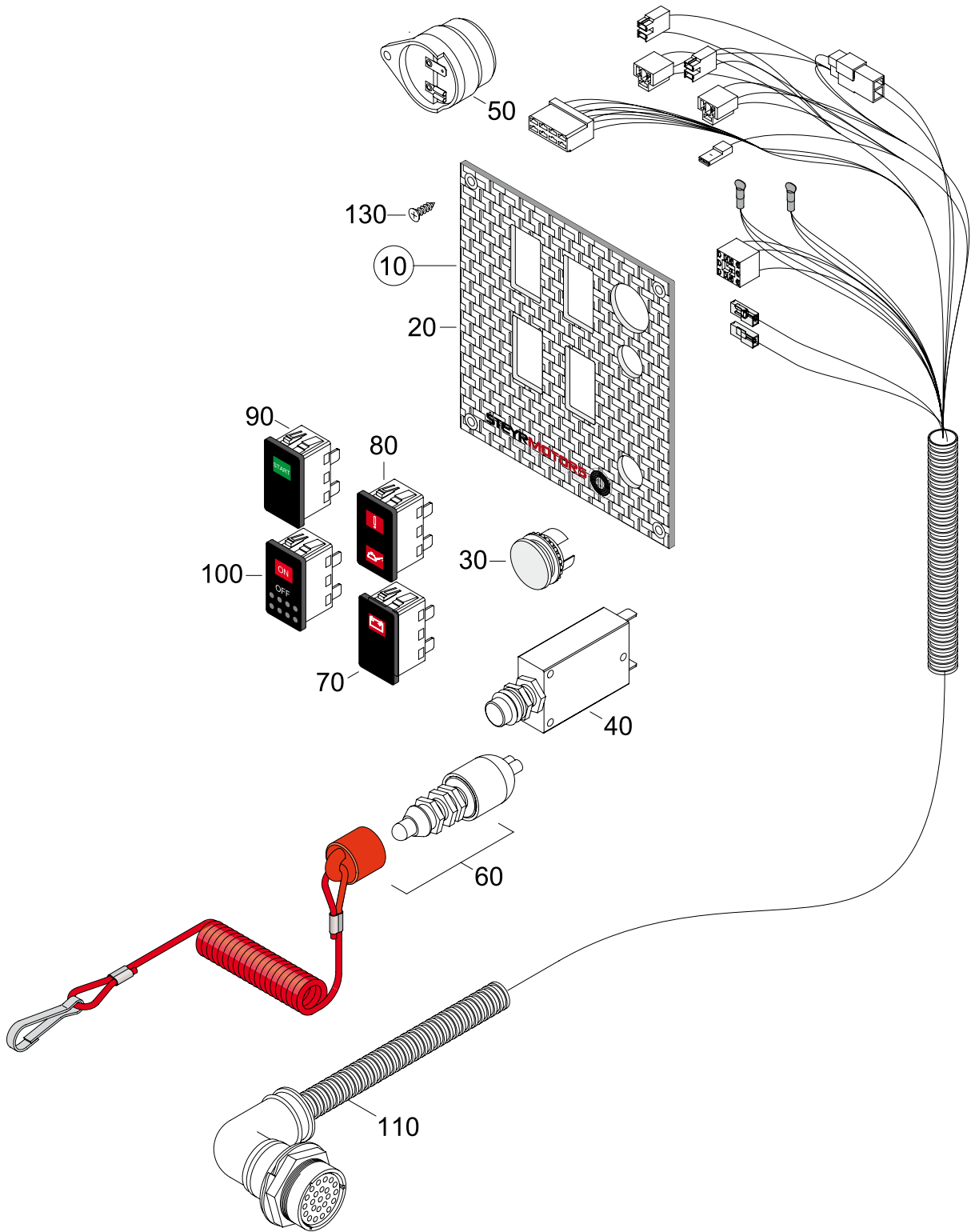


TA 0612

## SE156 E34 MARINE

### SCC PUSH BUTTON IGNITION PANEL

06122184-1







TA 0613

**SE156 E34  
MARINE**

**EXTENSION CABLE INSTRUMENTS**

06136184-0

10 / 20 / 30



40



50



60 / 70 / 80





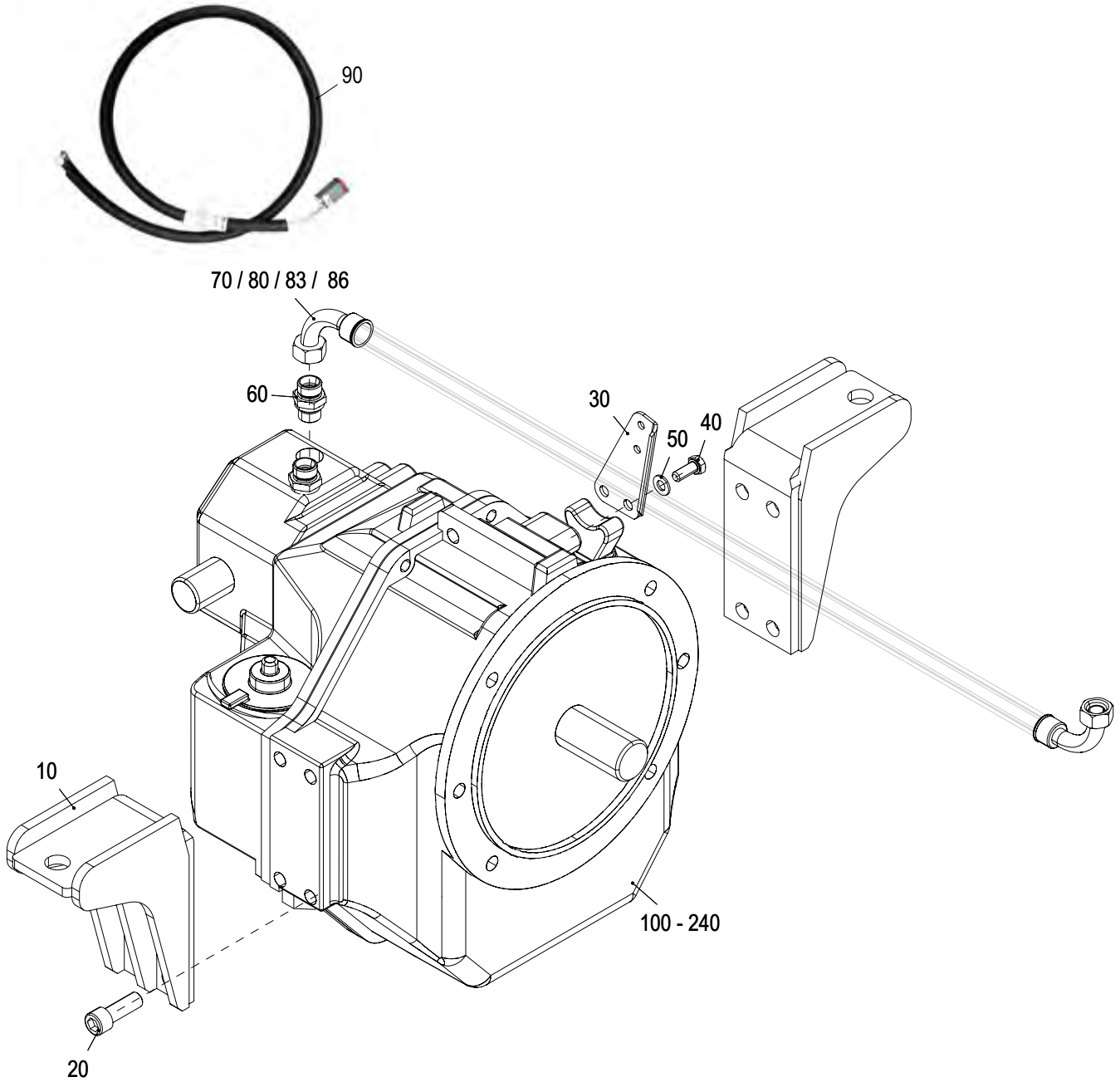


TA 0700

**SE156 E34  
MARINE**

TRANSMISSION, BRACKETS, PIPES - ZF68

07006284-0



<b>TRANSMISSION, BRACKETS, PIPES - ZF68</b>	<b>SE156E34 MARINE</b>
---	----------------------------

07006284-0

Pos.	Part.-No.	Qty	Designation	Step
10	2178710-V	2	BRACKET GEAR-BOX DOWN ANGLE	.1
20	9000081-0	8	HEX.SCR.ISO4762-M12x35-8.8-FLZNNC-720H-L	.1
30	2178711-9	1	BRACKET SHIFT CABLE (RAL9006)	.1
40	3800224-0	2	HEX.HD.SCR. ISO 4017-M8x20-A4-70	.1
50	3930103-0	2	WASHER ISO 7089-8-A4-200HV	.1
60	Z011655-0	2	THREADED SOCKET 3/8NPT-M18x1.5	.1
70	2181242-0	1	OIL HOSE L=1000mm (55°)	.1
80	2178732-0	1	OIL HOSE L=825mm (55°)	.1
83	2181305-0	1	OIL HOSE L=825mm (180°)	.1
86	2178731-0	1	OIL HOSE L=690mm (55°)	.1
90	2180915-0	1	HARNESS GEAR-SWITCH	.1
100	802560	1	GEARBOX ASSY. ZF68A I=1.56 (RAL9006)	.1
110	802561	1	GEARBOX ASSY. ZF68A I=2.04 (RAL9006)	.1
120	802562	1	GEARBOX ASSY. ZF68A I=2.52 (RAL9006)	.1
130	802559	1	GEARBOX ASSY. ZF68A I=1.22 (RAL9006)	.1
140	802563	1	GEARBOX ASSY. ZF68A I=2.70 (RAL9006)	.1
150	802461	1	GEARBOX ASSY. ZF68 I=1.51 (RAL9006)	.1
160	802463	1	GEARBOX ASSY. ZF68 I=2.48 (RAL9006)	.1
170	802465	1	GEARBOX ASSY. ZF68 I=2.78 (RAL9006)	.1
180	802466	1	GEARBOX ASSY. ZF68 I=1.93 (RAL9006)	.1
190	802467	1	GEARBOX ASSY. ZF68 I=1.25 (RAL9006)	.1
195	802470	1	GEARBOX ASSY. ZF68 I=1.75 (RAL9006)	.1
200	802567	1	GEARBOX ASSY. ZF68IV I=2.00 (RAL9006)	.1
210	802568	1	GEARBOX ASSY. ZF68IV I=2.48 (RAL9006)	.1
220	802565	1	GEARBOX ASSY. ZF68IV I=1.29 (RAL9006)	.1
230	802566	1	GEARBOX ASSY. ZF68IV I=1.56 (RAL9006)	.1
240	2179500-9	1	GEARBOX ASSY. ZF63C I=1 (RAL9006)	.1



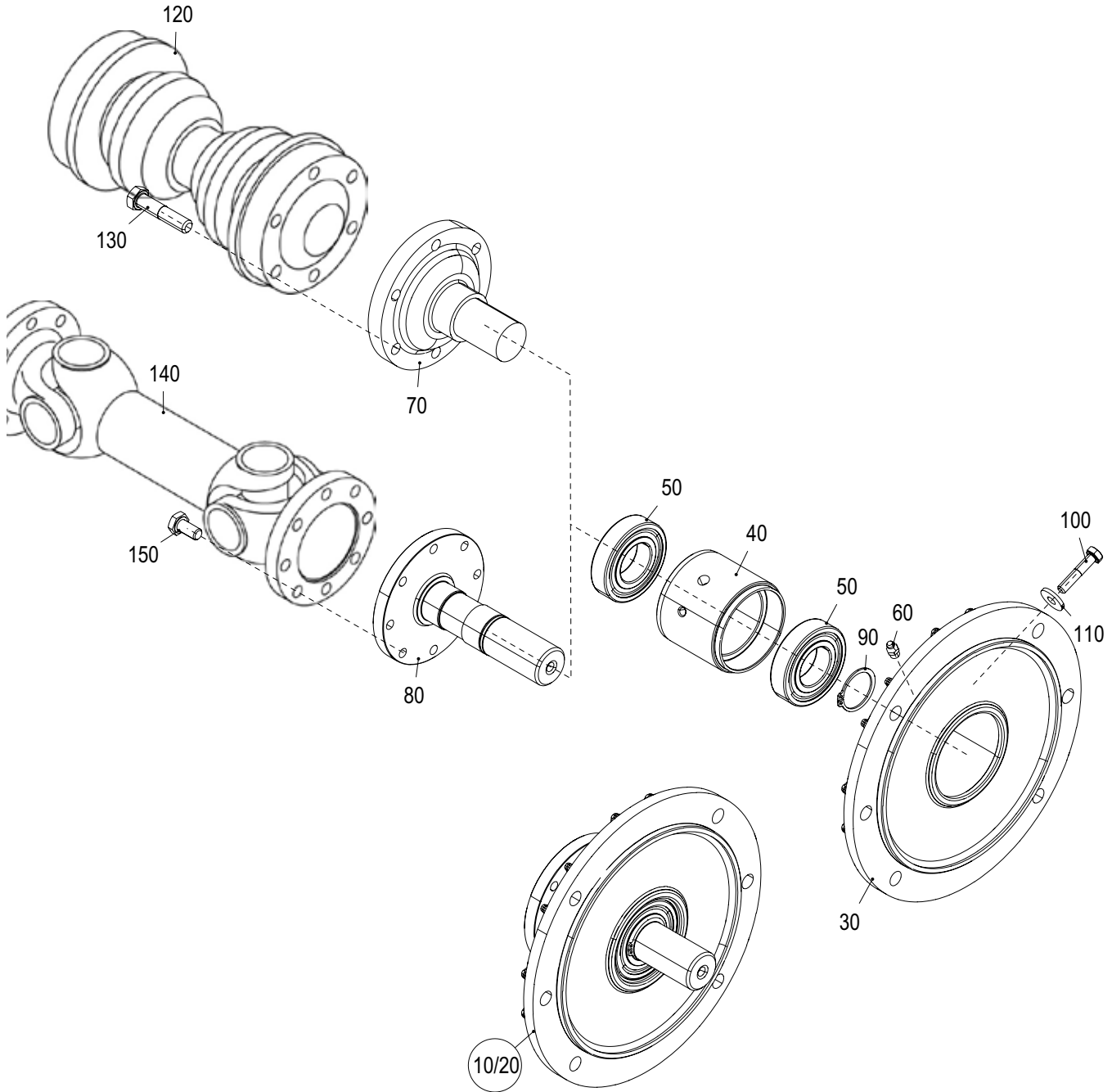


TA 0701

**SE156 E34**  
**MARINE**

**TRANSMISSION SHAFT, PTO SHAFT (ALU)**

07016184-0





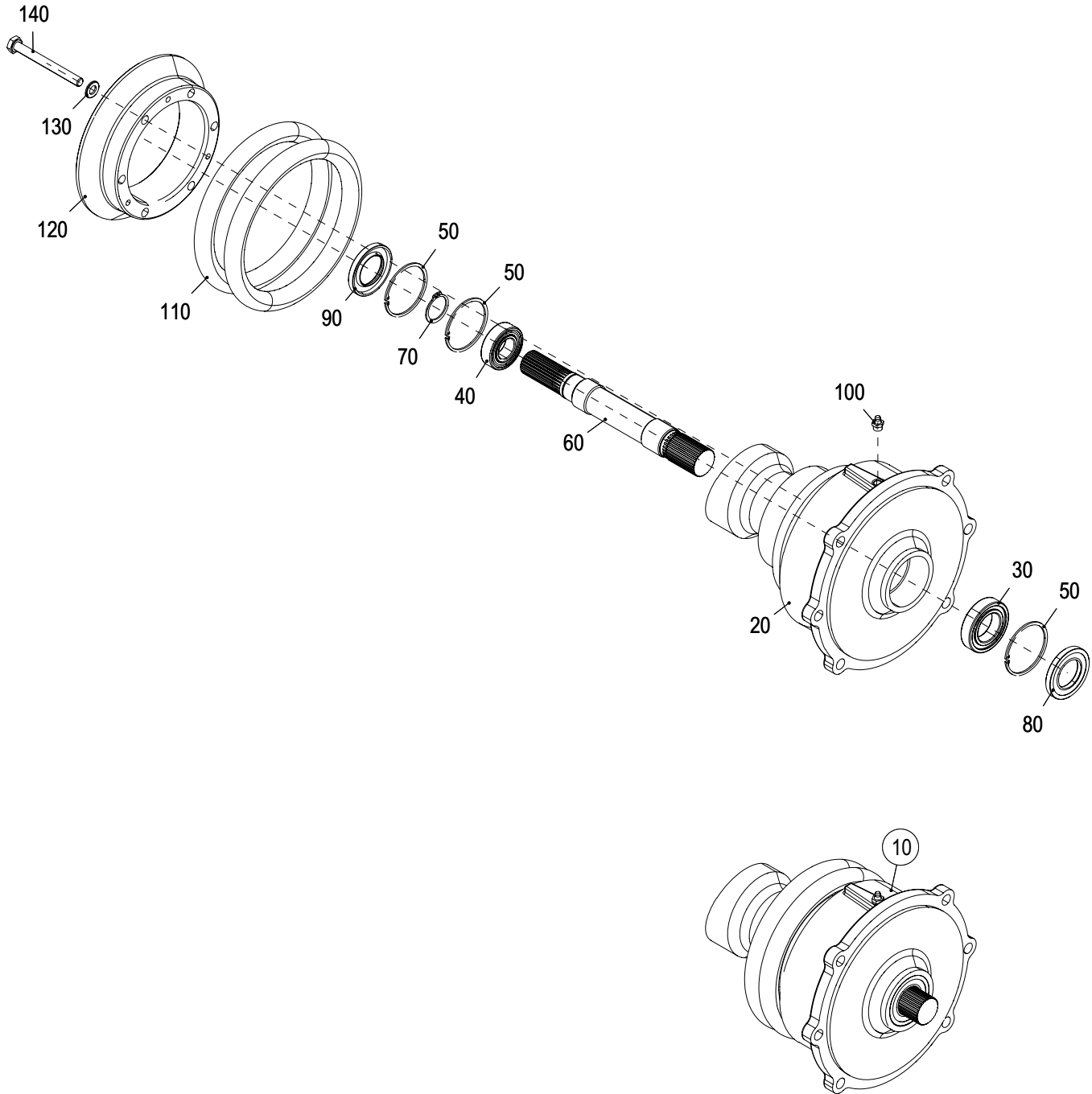


TA 0720

**SE156 E34  
MARINE**

**DRIVE ADAPTOR VOLVO STERNDRIVE**

07206084-0





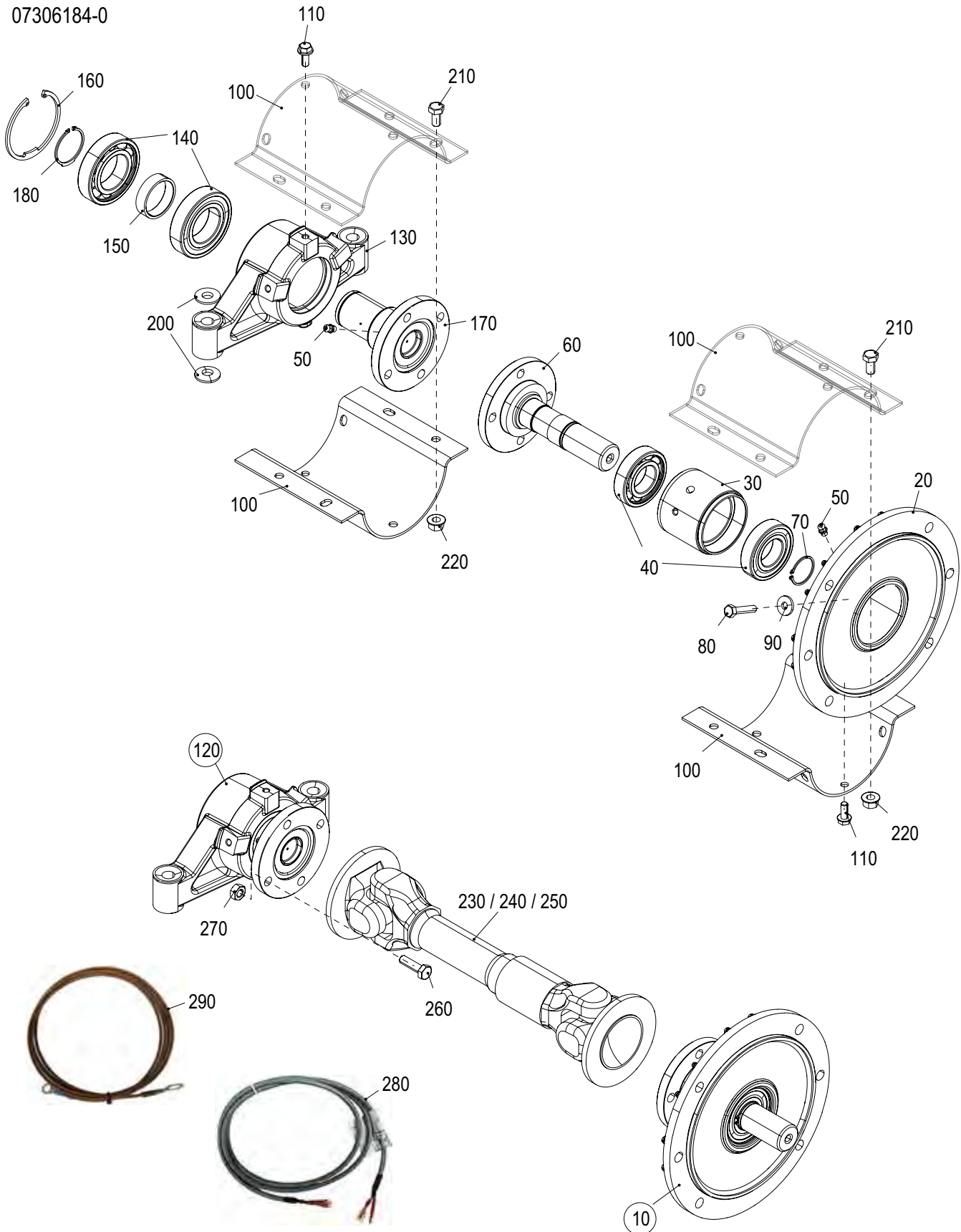


TA 0730

**SE156 E34**  
**MARINE**

## DRIVE SHAFT EXTENSION MERCURY STERNDRIVE

07306184-0



## DRIVE SHAFT EXTENSION MERCURY STERNDRIVE

**SE156E34**  
**MARINE**

07306184-0

Pos.	Part.-No.	Qty	Designation	Step
10	Z002116-0	1	ADAPTER SHAFT ASSY. - MERCURY (RAL9006)	.1
20	Z002117-0	1	ADAPTER HOUSING (RAL9006) (ALU CASTING)	.2
30	2179328-0	1	BEARING RETAINER	.2
40	3311181-0	2	DEEP GROOVE BALL BEARING DIN 625-RS1	.2
50	3963112-0	2	LUBRICATING NIPPLE DIN 71412-AM8x1-A3F	.2
60	2178814-2	1	ADAPTER SHAFT (MERCURY)	.2
70	3933251-0	1	RETAINING RING SHAFT DIN 471-35x1.5	.2
80	3802442-0	2	HEX.SCR.ISO 4017-M8x40-8.8-FLZNNC-720H-L	.2
90	O125134-0	2	WASHER LARGE	.2
100	2179273-0	4	COVER PLATE	.1
110	9000305-0	6	BOLT EN1665-M8x20-10.9-FLZNNC-720H-L	.1
120	Z002118-0	1	BEARING BLOCK DRIVE SH. MERC.(RAL9006)	.1
130	Z002119-0	1	BEARING BLOCK DRIVE SH. MERC. (RAL9006)	.2
140	9000486-0	2	DEEP GROOVE BALL BEARING DIN 625-6209	.2
150	2179271-0	1	DISTANCE PLATE	.2
160	9000403-0	1	RETAINING RING BORE DIN 472-85x3	.2
170	Z002120-0	1	SHAFT-FLANGE DRIVE SHAFT MERC.	.2
180	3933350-0	1	RETAINING RING SHAFT DIN 471-45x1.75-BL	.2
200	2179274-0	4	WASHER SPHERIC	.1
210	3802515-0	8	HEX.SCR.ISO4017-M10x20-8.8-FLZNNC-720H-L	.1
220	9000052-0	8	HEX. NUT DIN 6927-M10-8-GEO321+VL 720H	.1
230	Z002079-0	1	DRIVE SHAFT L=432mm & SCREWS	.1
240	Z002080-0	1	DRIVE SHAFT L=1000mm & SCREWS	.1
250	Z002081-0	1	DRIVE SHAFT L=1500mm & SCREWS	.1
260	900634	8	HX.SR.ISO4017-M10x30-10.9-FLZNNC-720H-L	.2
270	900635	8	HEX.NUT DIN 934-M10-10.9-FLZNNC-720H-L	.2
280	2179352-0	1	EXTENSION CABLE - TRIMSENSOR 1.5m	.1
290	2179353-0	1	GROUND WIRE FLYW.HSG-TRANSOM 1.8m	.1



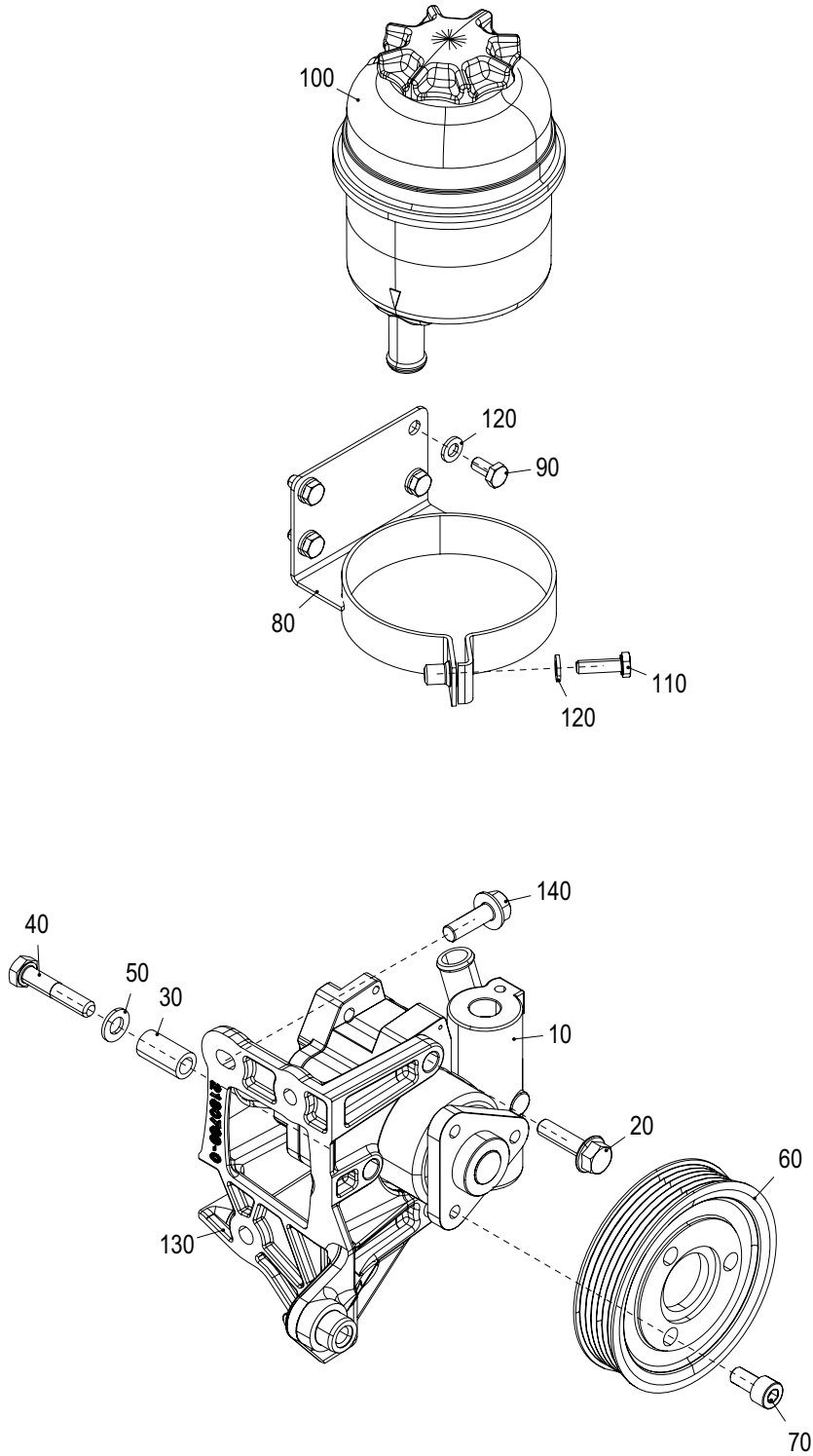


TA 1408

**SE156 E34  
MARINE**

**HYDRAULIC PUMP**

14086284-0





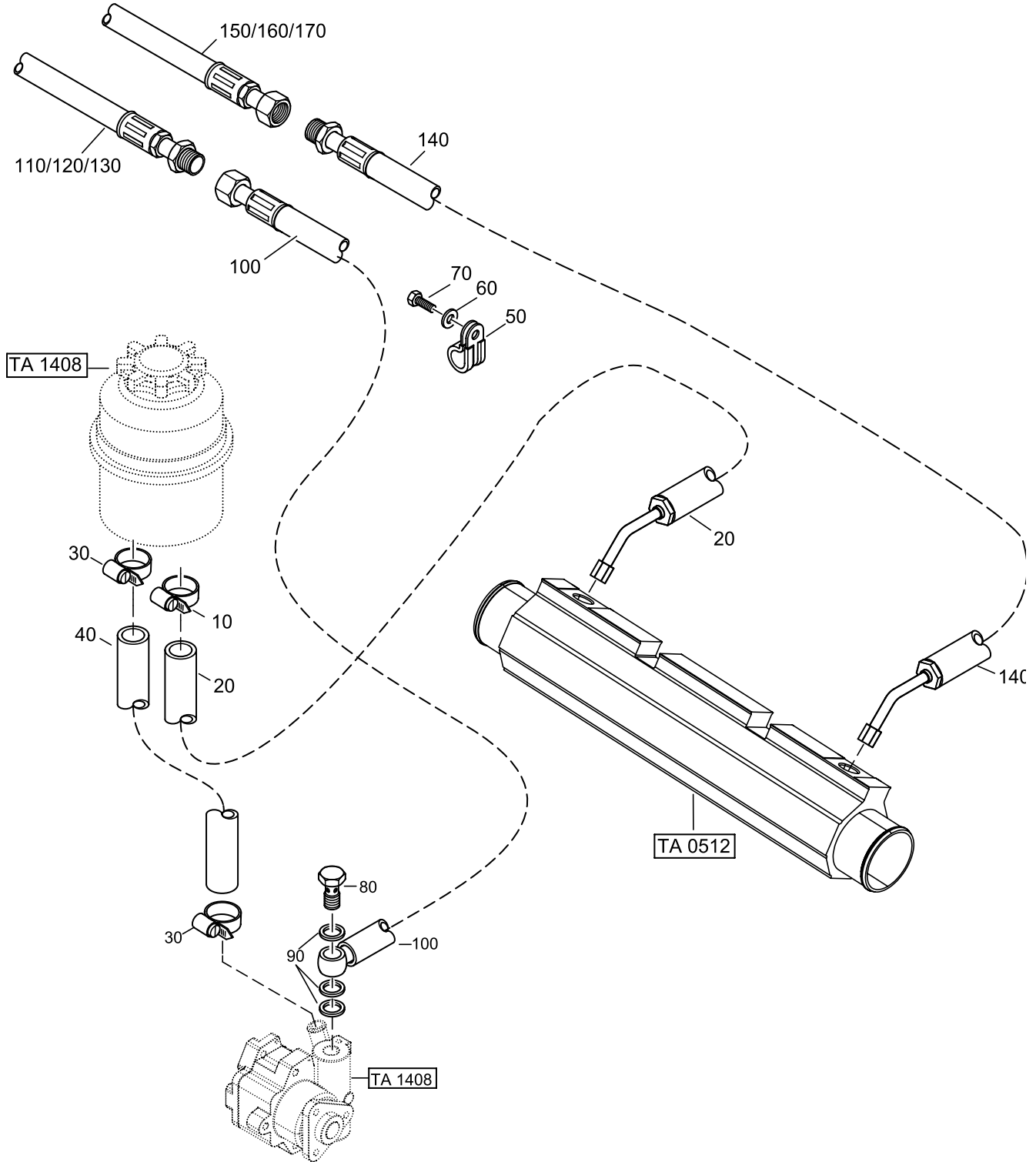


TA 1409

**SE156 E34**  
**MARINE**

## HYDRAULIC PIPES

14096284-0







TA 2207

**SE156 E34  
MARINE**

**ENGINE PREHEATING**

22076284-0





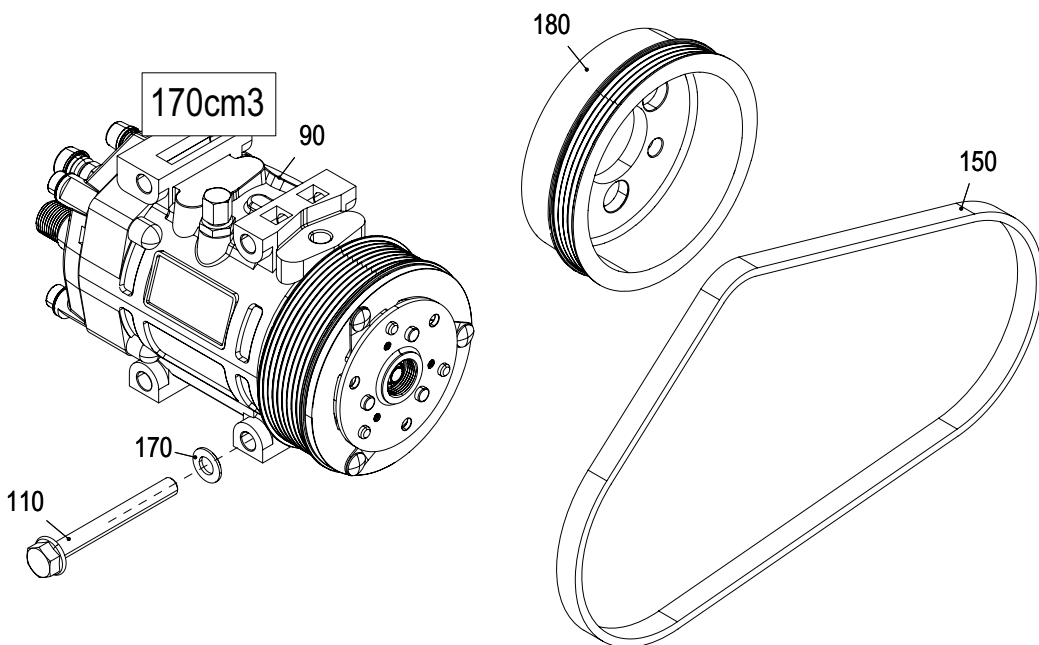
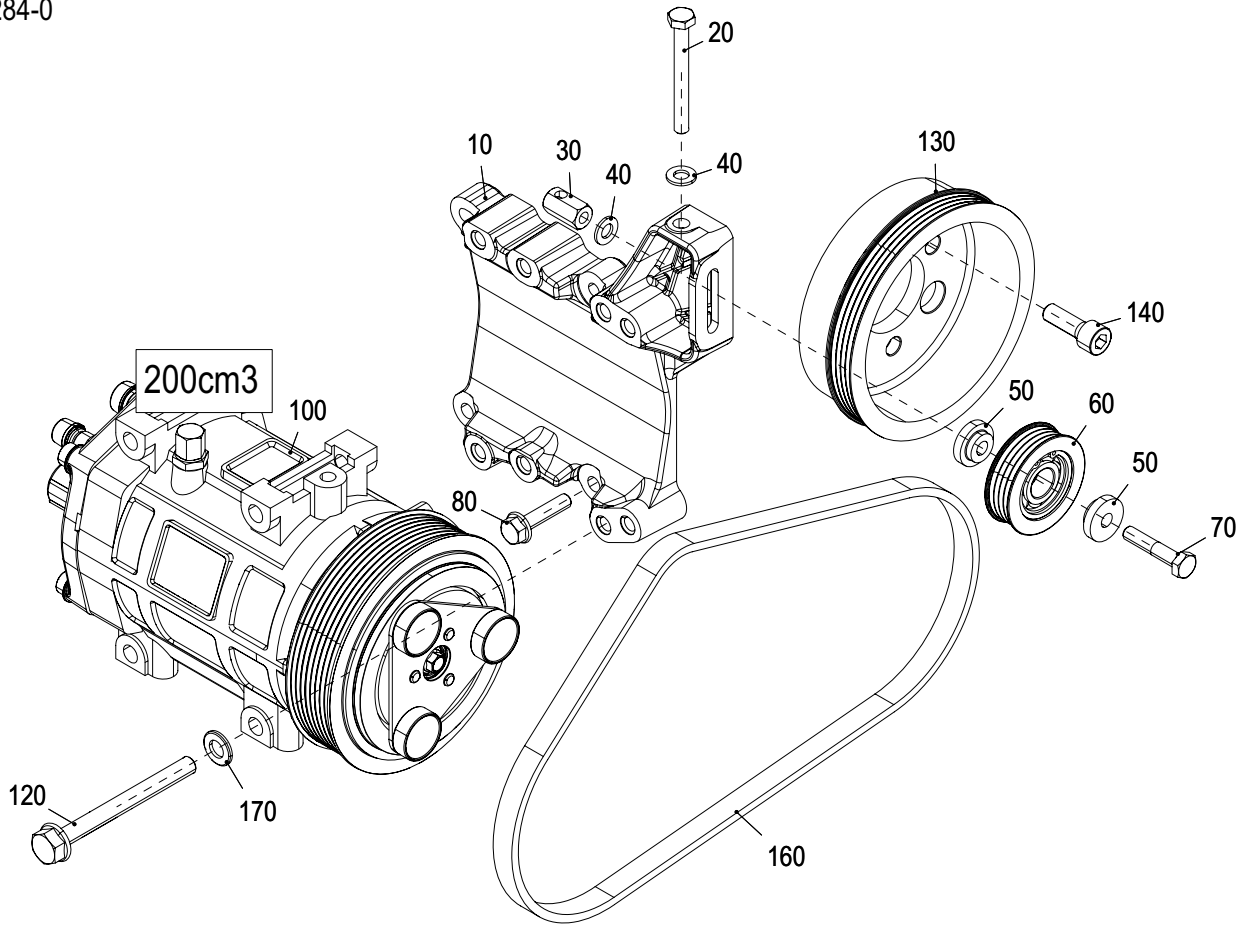


TA 5200

**SE156 E34**  
**MARINE**

## AIR CONDITIONING & DRIVE

52006284-0





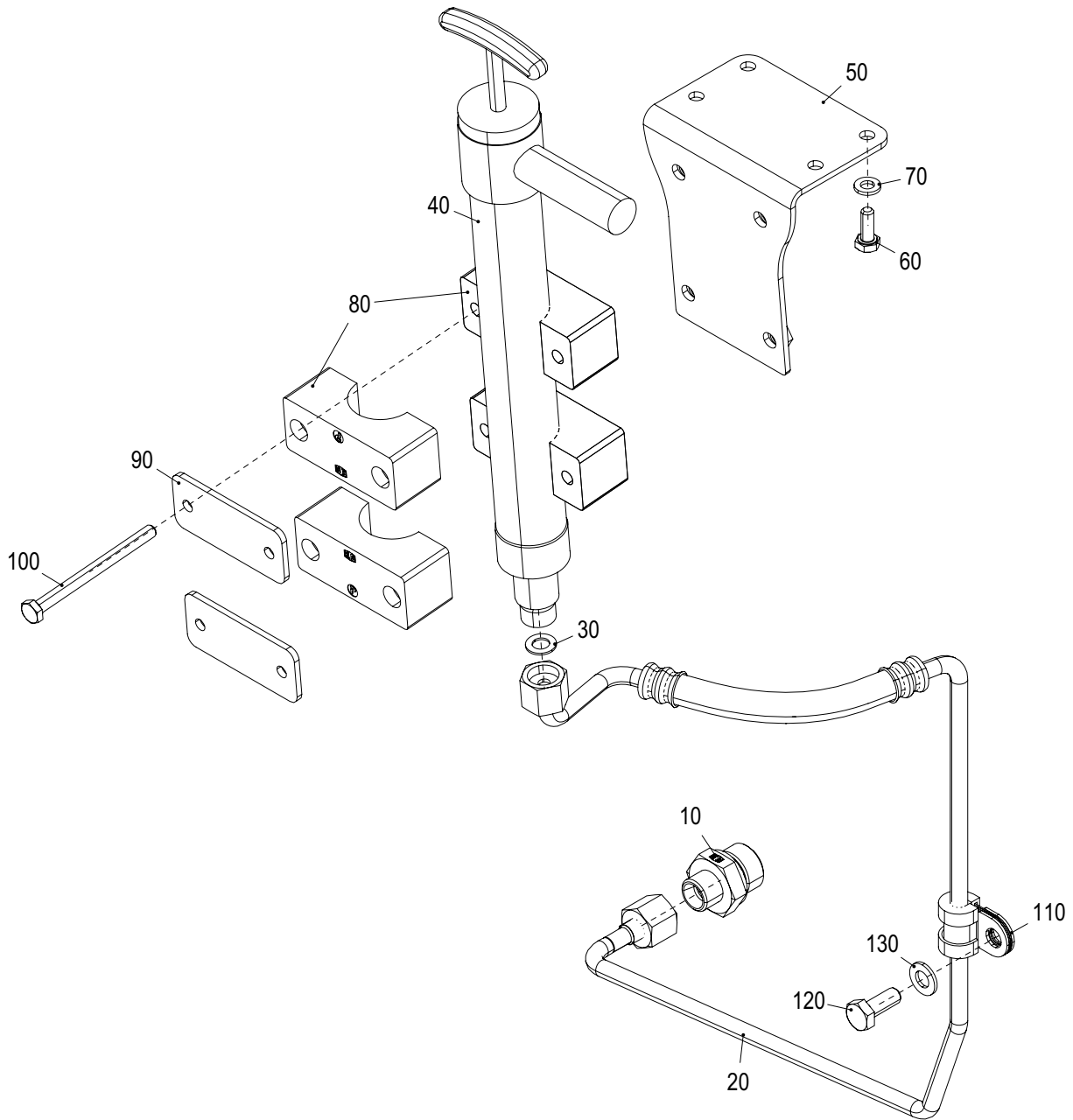


TA 5520

**SE156 E34  
MARINE**

**OIL SUCTION PUMP**

55206284-0





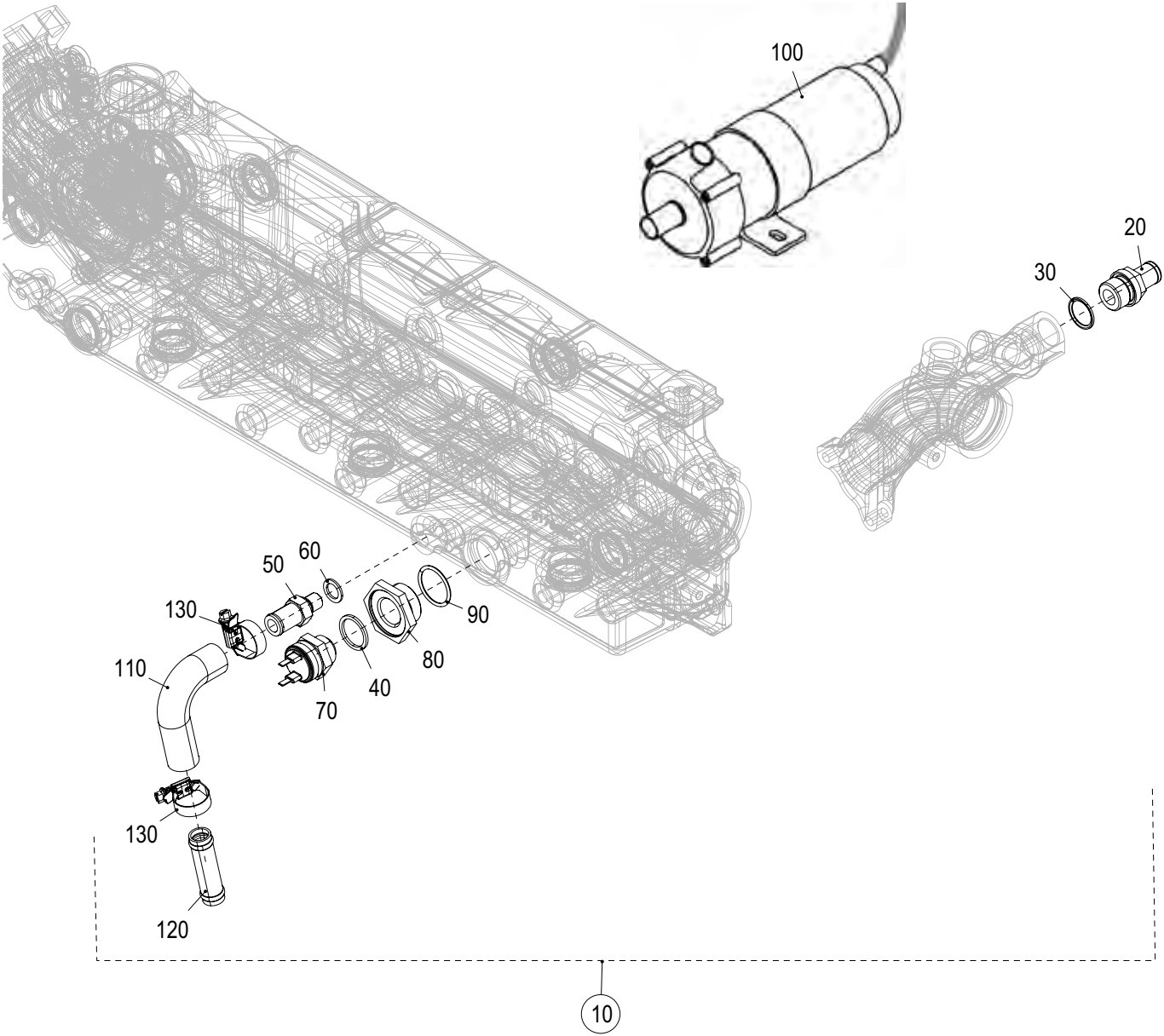


TA 6012

**SE156 E34  
MARINE**

**CABIN HEATER, CIRCULATION PUMP**

60126284-0







TA 9000

## SE156 E34 MARINE

### GENERAL OPERATING MATERIAL

90006000-0

 10	 20	 30	 40
 50	 60	 70	 80
 90	 100	 110	 120
 130	 140	 150	 160
 170	 180	 190	



