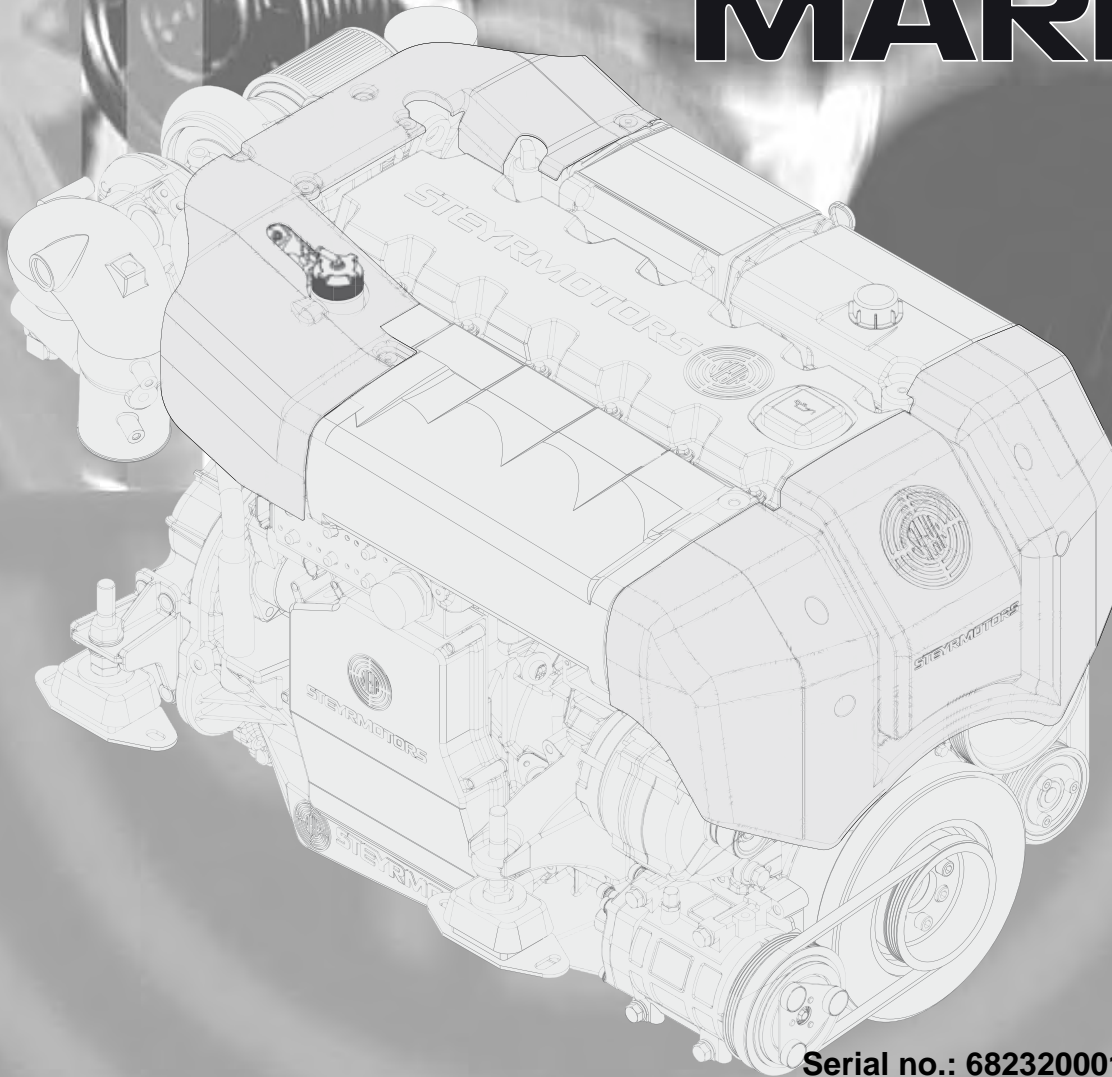


STEYR MARINE ENGINES

SE126E32 MARINE



Serial no.: 682320001 --> 682380481

SPARE PARTS CATALOGUE

P/N 707744 2nd Edition, November 2024



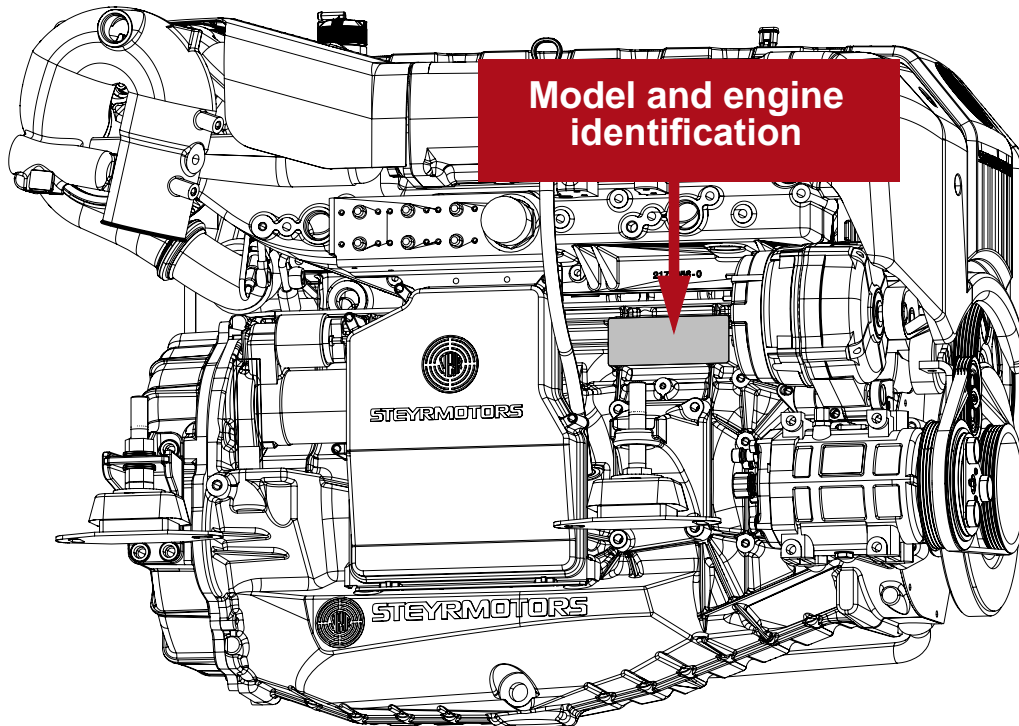
STEYRMOTORS



SE126E32
MARINE

When ordering spare parts are always indicate model and engine number.
This will speed up delivery and help to avoid mistakes.

The primary model and engine number is located on the engine as illustrated. These numbers are required when requesting warranty and ordering parts.



Substituting automotive or generally supplied parts and hardware will often result in less than desired performance. For this reason, you should insist on the known quality of genuine STEYR Marine matched replacement parts, and should never use parts of unknown quality.

We reserve the right to make changes in design and execution which incorporate advances in technology!



SIGNS AND SYMBOLS

1



TA 0101

CYLINDERBLOCK

SE126E32
MARINE

2

01014084-0

| 3 | 4 | 5 | 6 | 8 | 9 | 7 |
|------|-----------|-----|-------------------------------------|---|---|------|
| Pos. | Part.-No. | Qty | Designation | | | Step |
| 10 | Z002676-0 | 1 | SPARE PART COVER T-BELT →48226146 | | | .2 |
| 20 | 2203711-1 | 1 | COVER T-BELT, UPPER PART 48226147→ | | | .2 |
| 30 | 9000538-0 | 3 | HEX.FLANGE BOLT EN 1665-M6x50 A2-70 | | | .2 |
| | | | | | | |
| | | | | | | |
| | | | | | | |
| | | | | | | |

- 1 Table number
- 2 Partlist number for whole table/
functional groups
- 3 Positions number
- 4 Spare part number
- 5 Quantity for one engine respectively
assembly group
- 6 Designation and description of spare part
- 7 Groupparts are marked with a circle around the
position number. Parts in the list below these,
which had an increased step number by one, will
be included at delivery.
- 8 → 4..... Arrow before engine number:
Spare part UNTIL and LOWER
- 9 4..... → Arrow past engine number:
Spare part FROM and HIGHER

ACROBAT

... back to "starting point"

... one page back

... one page forward

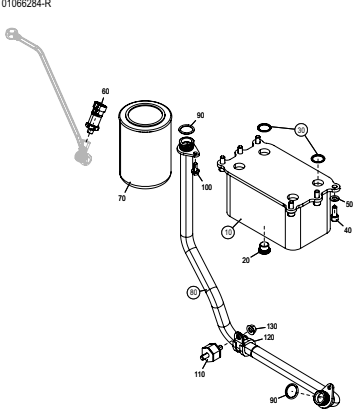

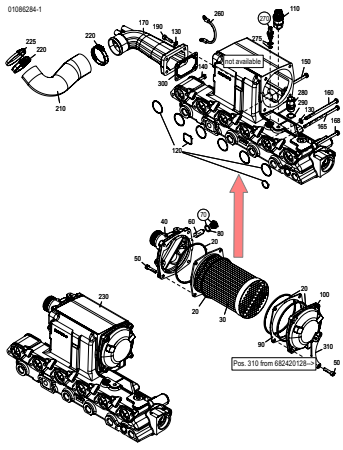

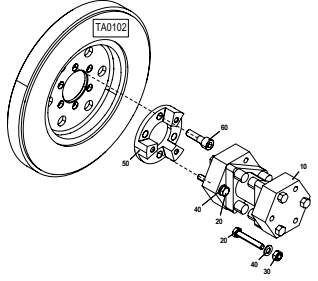

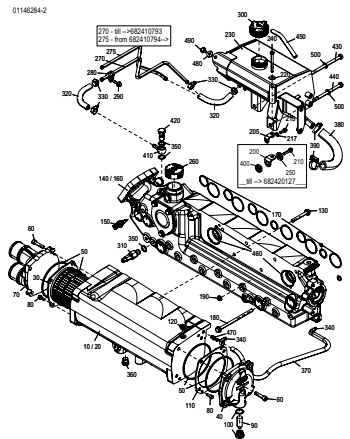

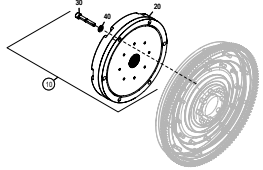

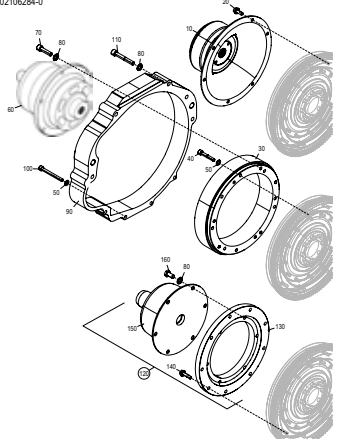

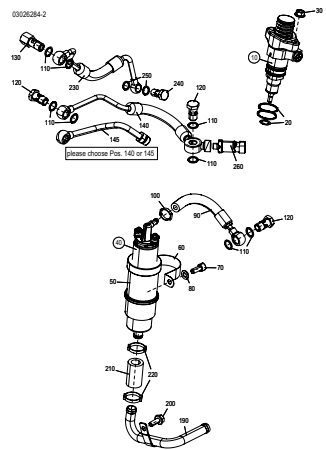

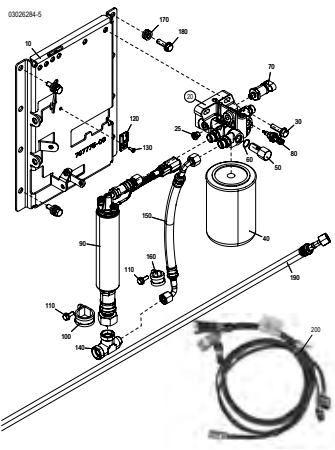

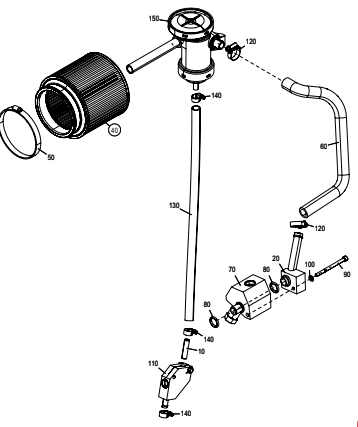

The diagram shows a technical drawing of a cylinder block assembly with various parts numbered. To the right of the drawing is a table with the following columns: Pos., Part.-No., Qty, Unit, Designation, and Step. The table is currently empty. Navigation symbols for Acrobat are shown: a square with a left-pointing arrow and the word 'page' (back to starting point), a square with a left-pointing arrow (one page back), and a square with a right-pointing arrow and the word 'page' (one page forward).





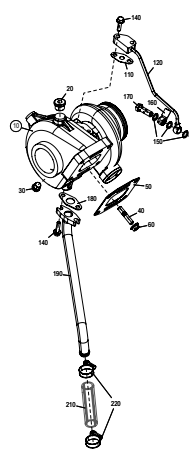

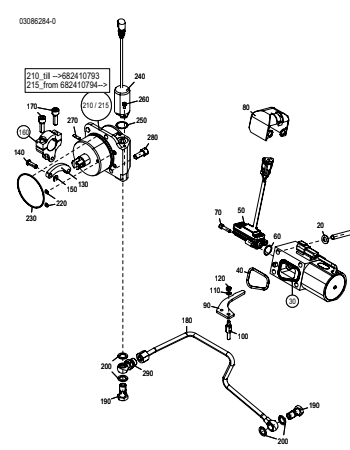

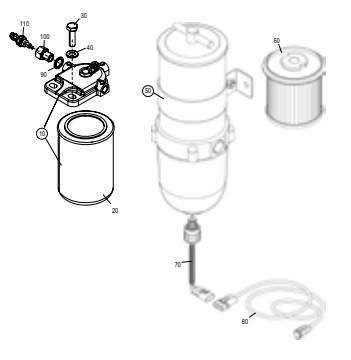

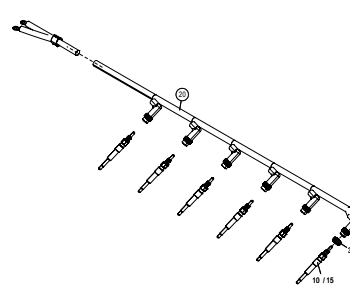

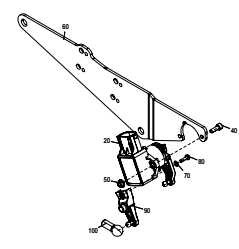

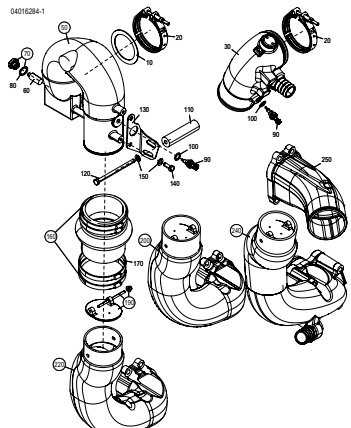

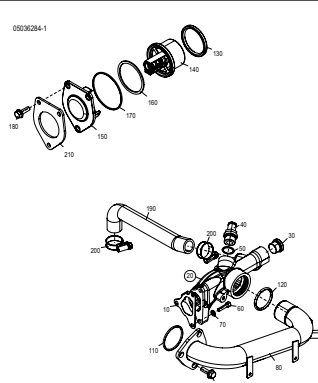

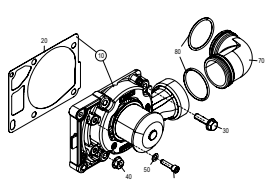

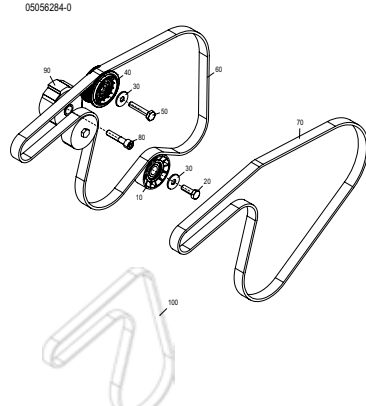

| | | |
|--|---|---|
| <p>Page 10 MOUNT BRACKET, BELT GUARD, GASKET SET</p> <p>ENGINE SEAL KIT</p> | <p>Page 12 CRANKCASE</p> | <p>Page 14 CRANKSHAFT, BEARING, DAMPER</p> |
| <p>Page 16 FLYWHEEL, FLYWHEELHOUSING</p> | <p>Page 18 PISTON, RINGS AND PIN, CONNECTION ROD</p> | <p>Page 20 CAMSHAFT HOUSING</p> |
| <p>Page 24 OILPAN, OIL DIPSTICK</p> | <p>Page 26 OIL PUMP, SUPPORT RING</p> | <p>Page 28 OIL SEPARATOR, BLOWBY LINES</p> |



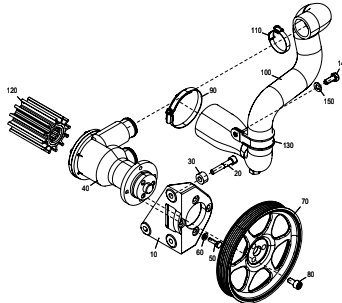

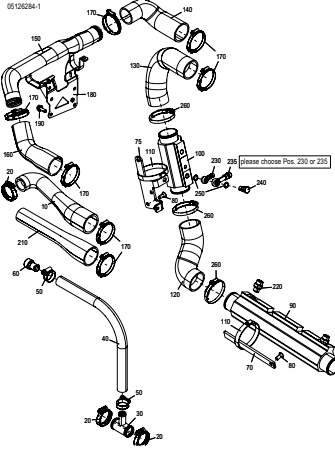

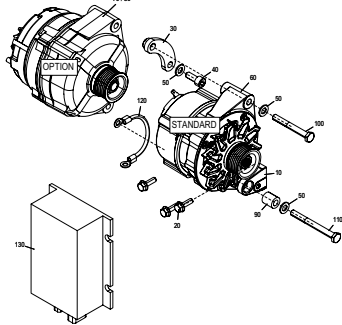

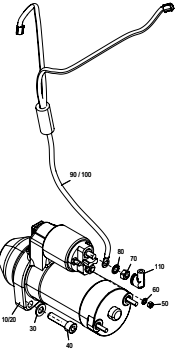

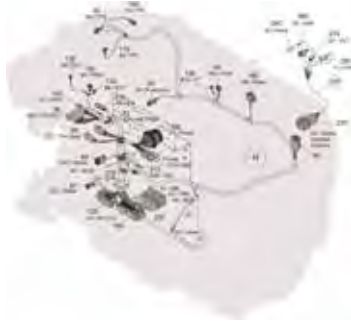

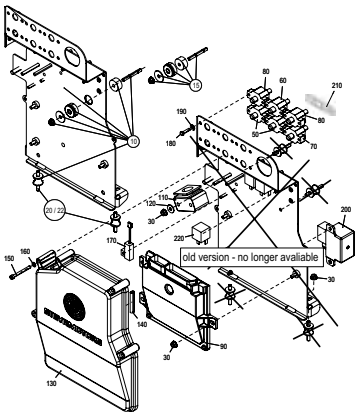

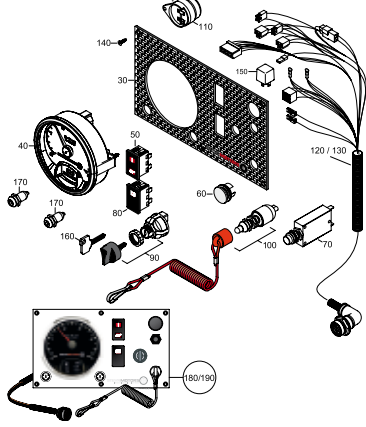

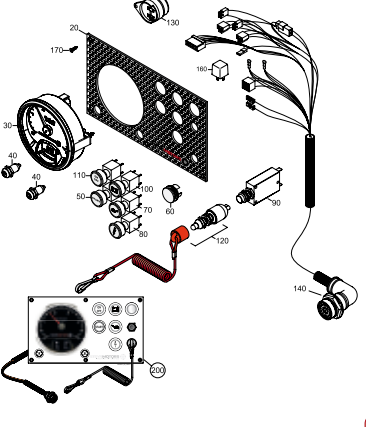



| | | |
|--|--|---|
| <p>Page 30 OIL COOLER, OILFILTER, OIL LINES</p> <p>01066284-R</p>   | <p>Page 32 INTERCOOLER</p> <p>01086284-1</p>   | <p>Page 34 POWER TAKE OFF FRONT</p> <p>01096184-0</p>   |
| <p>Page 36 EXHAUST, HEAT EXCHANGER, GASKETS</p> <p>01146284-2</p>   | <p>Page 40 TORSIONAL COUPLING</p> <p>02006284-0</p>   | <p>Page 42 COUPLER</p> <p>02106284-0</p>   |
| <p>Page 44 FUEL PUMP, UNIT INJECTOR, PIPE</p> <p>03026284-2</p>   | <p>Page 46 FUEL SYSTEM EXTERNAL FROM 06/2024</p> <p>03026284-5</p>   | <p>Page 48 AIRFILTER, INVERSIONVALVE SOLAS</p> <p>03046284-1</p>   |





| | | |
|---|--|--|
| <p>Page 50</p> <p>TURBO</p> <p>03056284-1</p>   | <p>Page 52</p> <p>CONTR.SOLENOID, INJ. TIMING DEVICE</p> <p>03086284-0</p> <p>210 28 -> 682410793 215 From 682410794 -></p>   | <p>Page 54</p> <p>FUEL FILTER</p> <p>03096284-1</p>   |
| <p>Page 56</p> <p>GLOW PIN</p> <p>03116084-0</p>   | <p>Page 58</p> <p>POTENTIOMETER ACCELERATOR</p> <p>03120284-1</p>   | <p>Page 60</p> <p>HIGH RISER, EXHAUSTPIPE</p> <p>04016284-1</p>   |
| <p>Page 62</p> <p>WATERPIPE, THERMOSTAT</p> <p>05036284-1</p>   | <p>Page 64</p> <p>WATERPUMP</p> <p>05046284-0</p>   | <p>Page 66</p> <p>DRIVE BELTS, PULLEYS, TENSIONER</p> <p>05056284-0</p>   |





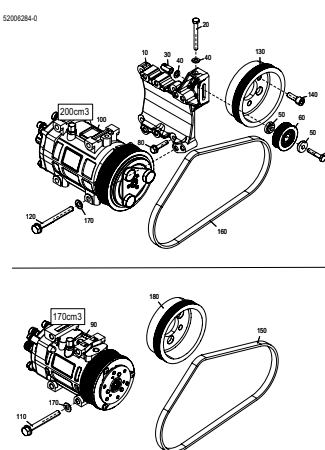

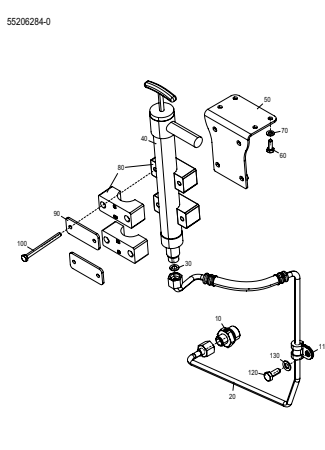

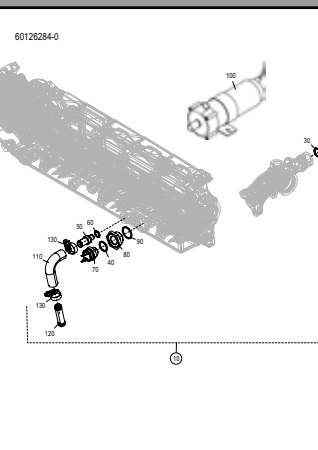



| | | |
|--|--|--|
| <p>Page 68</p> <p>RAW WATER PUMP</p> <p>05106284-0</p>   | <p>Page 70</p> <p>RAW WATER PIPES</p> <p>05126284-1</p>  <p>Please choose Pos. 230 or 235</p>  | <p>Page 72</p> <p>ALTERNATOR</p> <p>06016284-0</p>   |
| <p>Page 74</p> <p>STARTER</p> <p>06036284-0</p>   | <p>Page 76</p> <p>ENGINE HARNESS</p> <p>06056284-1</p>   | <p>Page 78</p> <p>SECURITYSYSTEM, FUSES, ECU, E- BOX</p> <p>06066284-C</p>  <p>old version - no longer available</p>  |
| <p>Page 80</p> <p>INSTRUMENT PANEL (STANDA. FROM 2013/08)</p> <p>06072184-2</p>   | <p>Page 82</p> <p>INSTRUMENT PANEL SOLAS (FROM 2013/08)</p> <p>06082184-5</p>   | <p>Page 84</p> <p>SCC-DISPLAY (STEYR CONTROL CENTER)</p> <p>06106184-4</p>   |





| | | |
|--|---|--|
| <p>Page 86 SCC KEY IGNITION PANEL</p> <p>06112184-1</p> | <p>Page 88 SCC PUSH BUTTON IGNITION PANEL</p> <p>06122184-1</p> | <p>Page 90 EXTENSION CABLE INSTRUMENTS</p> <p>06136184-0</p> |
| <p>Page 92 TRANSMISSION, BRACKETS, PIPES - ZF68</p> <p>07006284-0</p> | <p>Page 94 TRANSMISSION SHAFT, PTO SHAFT (ALU)</p> <p>07016184-0</p> | <p>Page 96 DRIVE ADAPTOR VOLVO STERNDRIVE</p> <p>07206084-0</p> |
| <p>Page 98 DRIVE SHAFT EXT. MERCURY STERNDRIVE</p> <p>07306184-0</p> | <p>Page 100 HYDRAULIC PUMP</p> <p>14086284-0</p> | <p>Page 102 HYDRAULIC PIPES</p> <p>14096284-0</p> |



| | | |
|--|--|--|
| <p>Page 104</p> <p>ENGINE PREHEATING</p>  <p>22076284-0</p>  | <p>Page 106</p> <p>AIR CONDITIONING & DRIVE</p>  <p>5208284-0</p>  | <p>Page 108</p> <p>OIL SUCTION PUMP</p>  <p>55206284-0</p>  |
| <p>Page 110</p> <p>CABIN HEATER, CIRCULATION PUMP</p>  <p>60126284-0</p>  | <p>Page 113</p> <p>OPERATING MATERIAL</p>  <p>9006000-0</p>  | |
| | | |



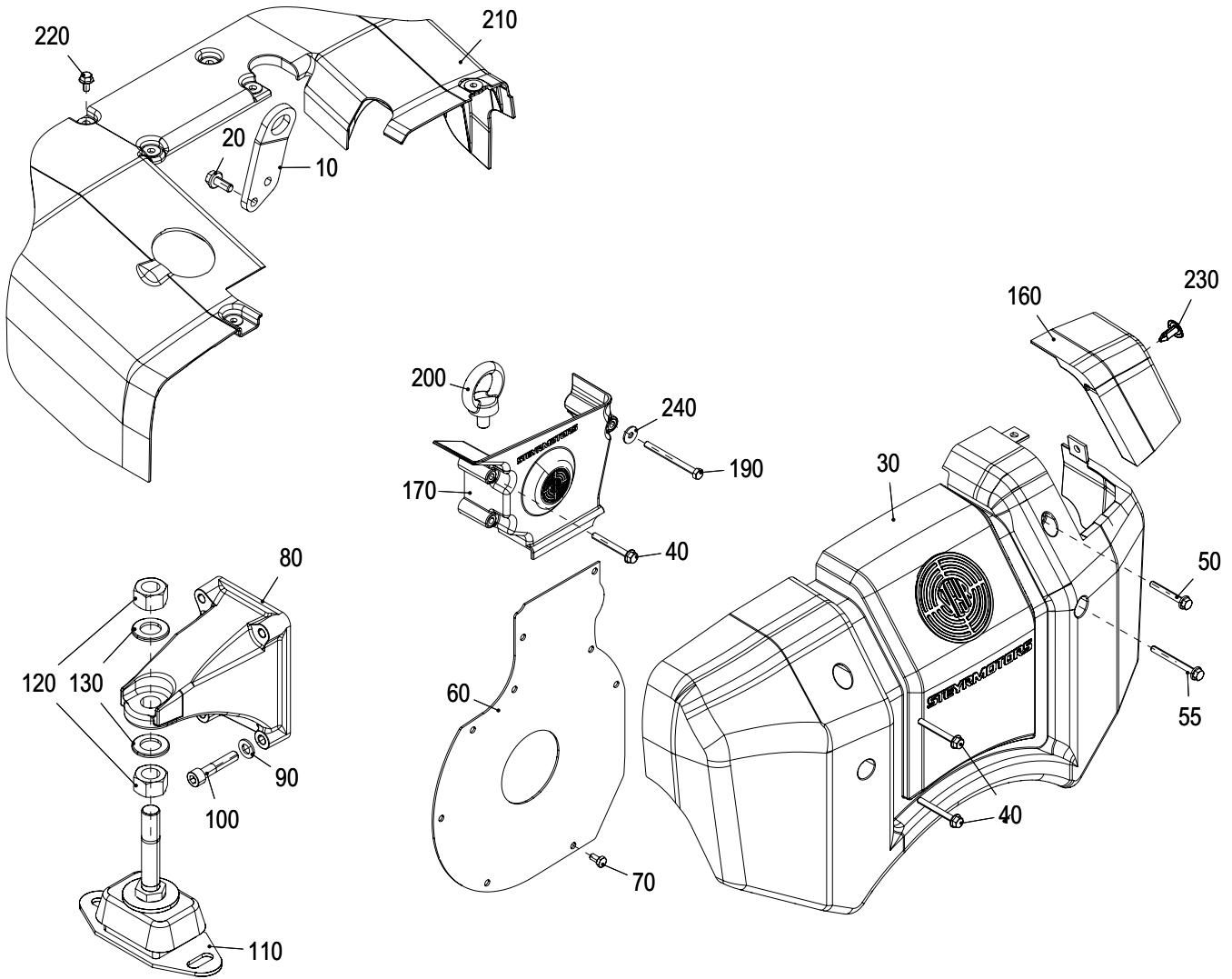


TA 0100

**SE126E32
MARINE**

MOUNT BRACKET, COVER T-BELT, GASKET SET

01006284-0



140 / 150
ENGINE SEAL KIT



| | |
|--|----------------------------------|
| MOUNT BRACKET, COVER T-BELT, GASKET SET | SE126E32 MARINE |
|--|----------------------------------|

01006284-0

| Pos. | Part.-No. | Qty | Designation | Step |
|------|-----------|-----|--|------|
| 10 | 2201024-0 | 1 | ENGINE LIFT SHACKLE | .1 |
| 20 | 9000271-0 | 2 | BOLT EN1665-M8x25-10.9-FLZNNC-720H-L | .1 |
| 30 | 2180836-0 | 1 | COVER T-BELT | .1 |
| 40 | 9000538-0 | 4 | HEX.FLANGE BOLT EN 1665-M6x50-A2-70 | .1 |
| 50 | 9001362-0 | 1 | HEX.BOLT EN 1665-M6x40-8.8-FLZNNC-720H-L | .1 |
| 55 | 9001248-0 | 1 | HEX.FLANGE BOLT EN 1665-M6x60-A2-70 | .1 |
| 60 | 2181204-0 | 1 | COVER PLATE, COVER T-BELT | .1 |
| 70 | 3800238-0 | 9 | HEX.HD.SCR. ISO 4017-M6x12-A4-70 | .1 |
| 80 | 2177598-9 | 2 | MOUNT BRACKET, FRONT (RAL9006) | .1 |
| 90 | 3930075-0 | 8 | WASHER ISO 7089-10-A4-200HV | .1 |
| 100 | 9000014-1 | 8 | SCR. ISO 4762-M10x50-10.9-FLZNNC-720H-L | .1 |
| 110 | 2203804-5 | 4 | ENGINE MOUNT ASSY 55SH | .1 |
| 120 | 9000442-0 | 2 | HX.NUT ISO8673-M18x1.5-8-A-FLZNNC-720H-L | .2 |
| 130 | 9000441-0 | 2 | LOCKWASHER 19.5x34.5 | .2 |
| 140 | Z026130-0 | 1 | SEAL KIT, W-O FRAME SEAL | .1 |
| 150 | Z026132-0 | 1 | SEAL KIT, WITH FRAME SEAL | .1 |
| 160 | 2181029-0 | 1 | COVER T-BELT PART 2 | .1 |
| 170 | 2181026-0 | 1 | COVER T-BELT, LOWER PART | .1 |
| 190 | 9001104-0 | 1 | HEX. BOLT ISO 4014-M6x70-A2-70 | .1 |
| 200 | 9001105-0 | 1 | RING BOLT DIN 580-M12-A2 | .1 |
| 210 | 2180838-0 | 1 | COVER REAR | .1 |
| 220 | 9001001-0 | 6 | HEX.FLANGE BOLT EN 1665-M6x16-A4-70 | .1 |
| 230 | 9001126-0 | 1 | UNSCREWING SNAP RIVET 8mm | .1 |
| 240 | 900221 | 1 | WASHER ISO 7093-1-6-200HV-A4 | .1 |
| | | | | |
| | | | | |
| | | | | |
| | | | | |
| | | | | |
| | | | | |
| | | | | |
| | | | | |



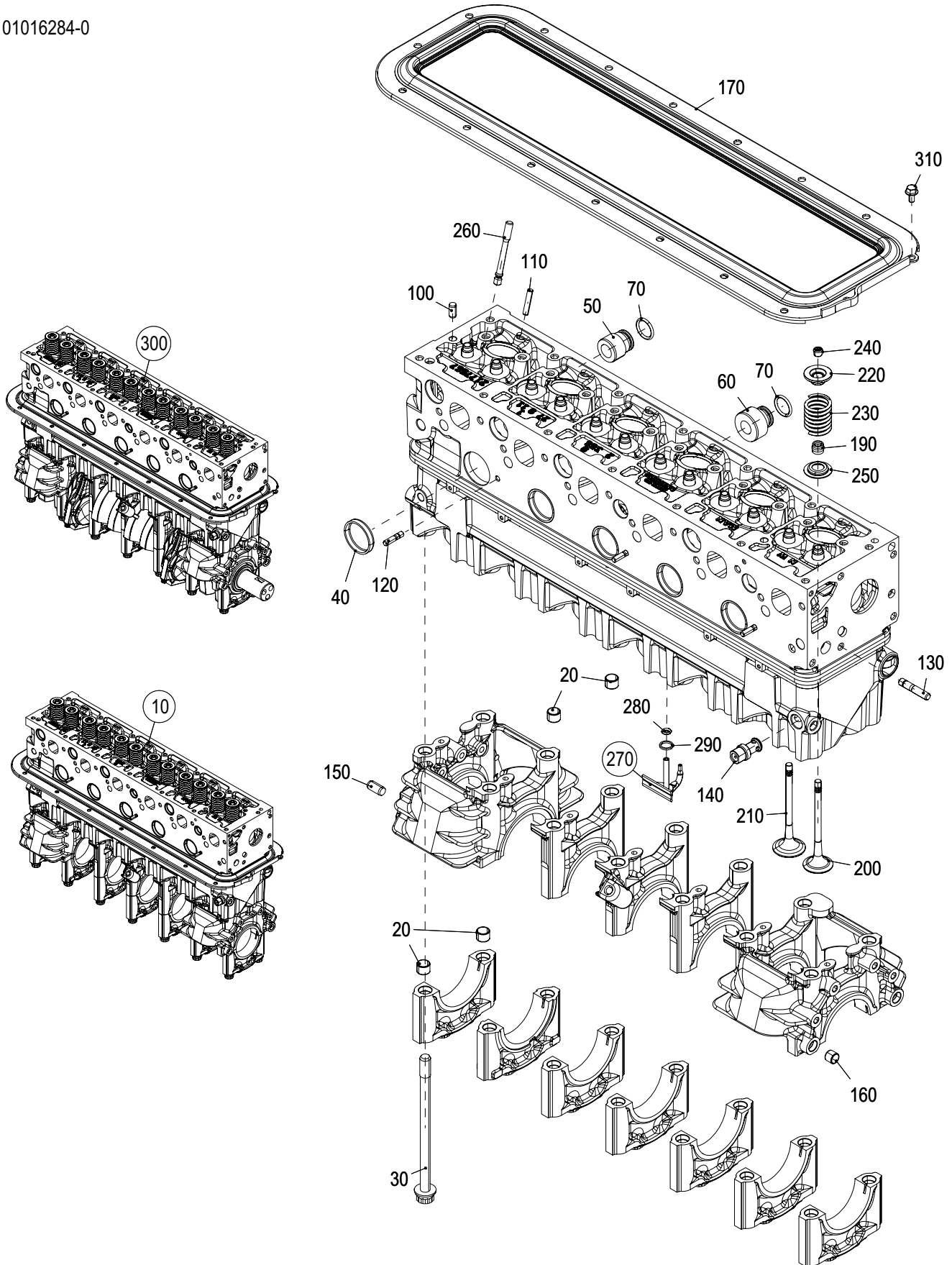


TA 0101

SE126E32
MARINE

CRANKCASE

01016284-0



| | |
|------------------|----------------------------|
| CRANKCASE | SE126E32 MARINE |
|------------------|----------------------------|

01016284-0

| Pos. | Part.-No. | Qty | Designation | Step |
|------|-----------|-----|--|------|
| 10 | MZ60284-0 | 1 | CYL. BLOCK ASSY. MARINE (INCL. VALVES) | .1 |
| 20 | 2172799-0 | 24 | FITTING SLEEVE | .2 |
| 30 | 2174329-0 | 14 | BOLT, MAIN BEARING | .2 |
| 40 | 2170309-0 | 6 | CORE HOLE PLUG 40-8 | .2 |
| 50 | 2180872-0 | 2 | O-RING SLEEVE | .2 |
| 60 | 2180873-0 | 3 | O-RING SLEEVE | .2 |
| 70 | 9001076-0 | 5 | O-RING 19,2x3 | .2 |
| 100 | 3901416-0 | 2 | PARALLEL PIN ISO 2338-8m6x16-ST | .2 |
| 110 | 3901328-0 | 6 | PARALLEL PIN ISO 2338-6m6x30-ST | .2 |
| 120 | 9000327-0 | 3 | STUD DIN 939-M6x20-8.8-FLZNNC-720H-L | .2 |
| 130 | 3812435-0 | 1 | STUD DIN 938-M8x35-8.8-FLZNNC-720H-L | .2 |
| 140 | 2178525-1 | 1 | COOLING OIL VALVE ASSY. | .2 |
| 150 | 3901509-0 | 2 | PARALLEL PIN ISO 2338-10m6x20-ST | .2 |
| 160 | 2170298-0 | 2 | FITTING SLEEVE | .2 |
| 170 | 2205379-0 | 1 | FRAME SEAL | .2 |
| 190 | 2172096-1 | 12 | VALVE STEM SEAL | .2 |
| 200 | 707642 | 6 | EXHAUST VALVE | .2 |
| 210 | 707641 | 6 | INTAKE VALVE | .2 |
| 220 | 2177349-0 | 12 | VALVE-SPRING RETAINER | .2 |
| 230 | 2172362-0 | 12 | VALVE SPRING | .2 |
| 240 | S21701710 | 24 | VALVE COLLET | .2 |
| 250 | 2177415-0 | 12 | SPRING SUPPORT | .2 |
| 260 | 2174321-1 | 12 | STUD | .1 |
| 270 | 2178478-3 | 6 | SPRAYING NOZZLE ASSY. | .1 |
| 280 | 2179896-0 | 6 | O-RING 5.23 x 2.62 (GREEN) | .2 |
| 290 | 2179658-0 | 6 | BACK-UP RING | .1 |
| 300 | MT60284-0 | 1 | PARTIAL ENGINE | .1 |
| 310 | 9000287-0 | 17 | BOLT EN1665-M6x12-8.8-FLZNNC-720H-L | .1 |



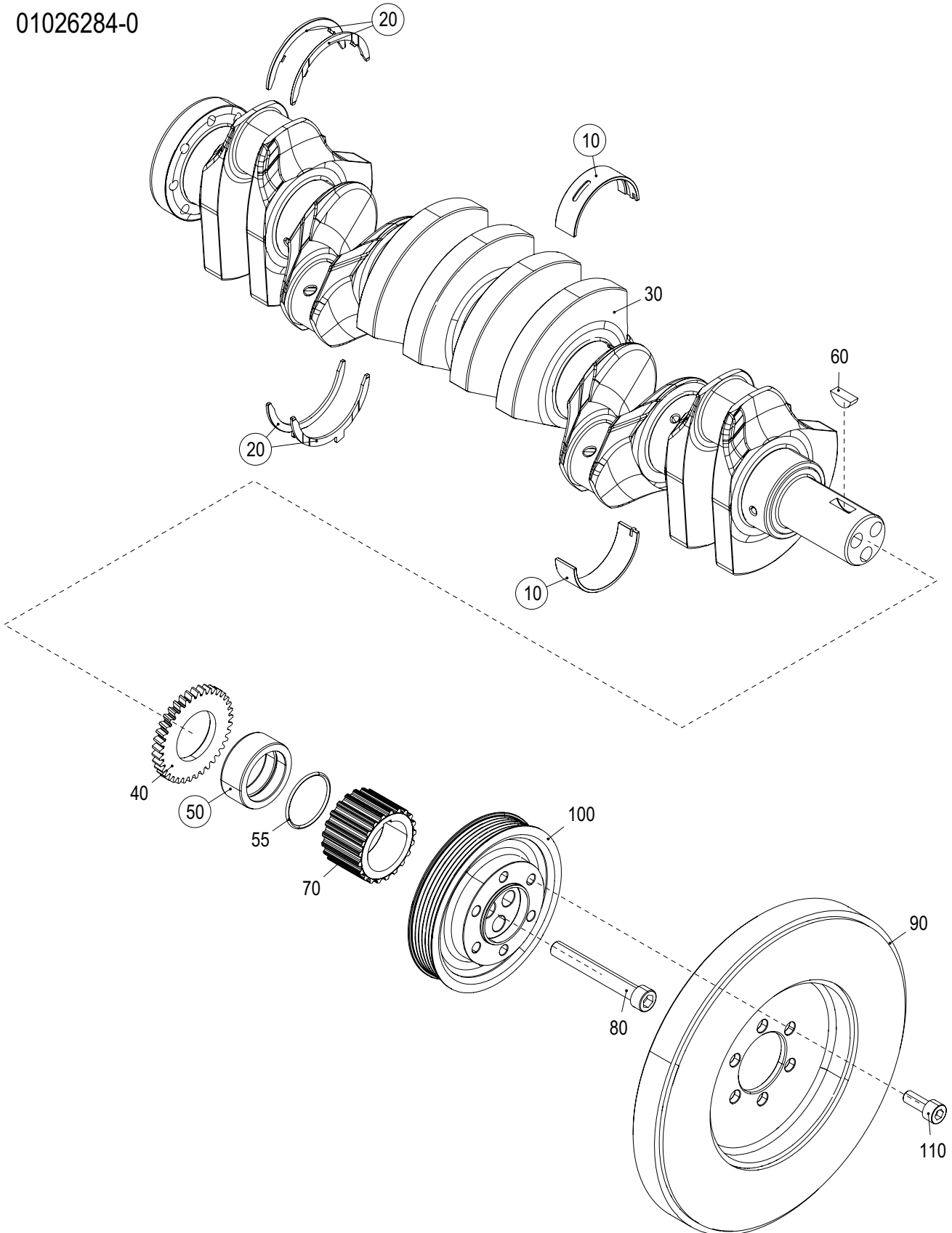


TA 0102

**SE126E32
MARINE**

CRANKSHAFT, BEARING, DAMPER

01026284-0



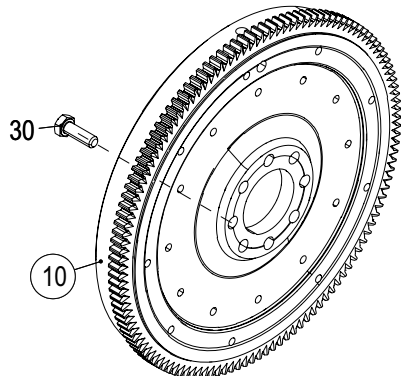
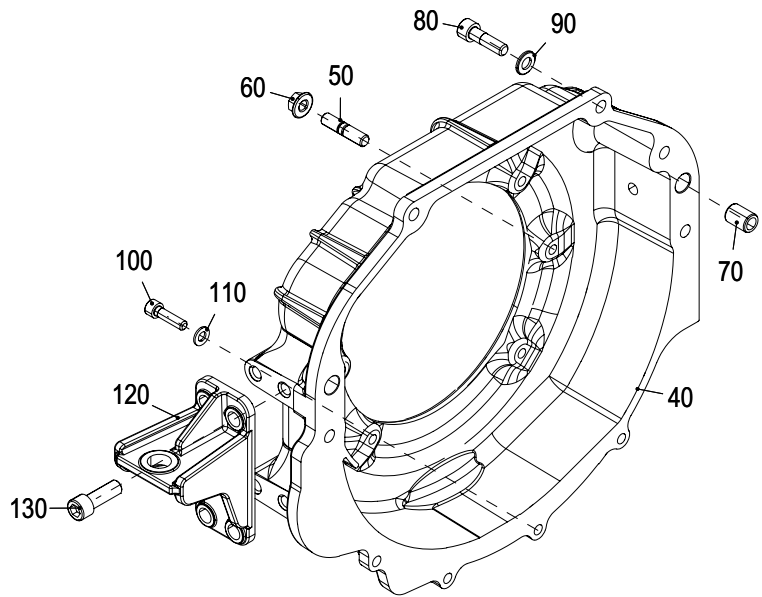
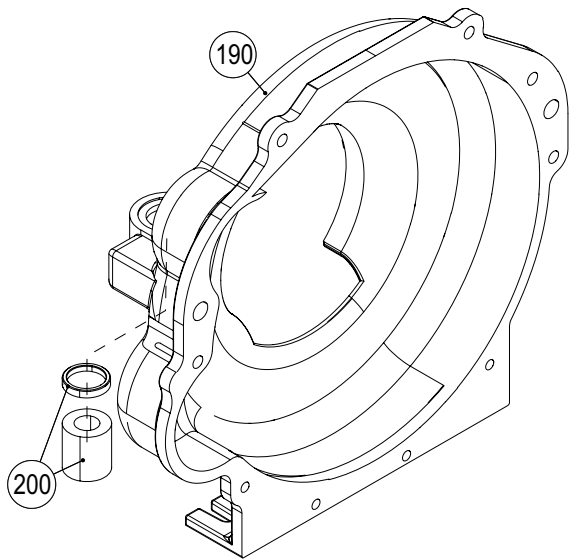
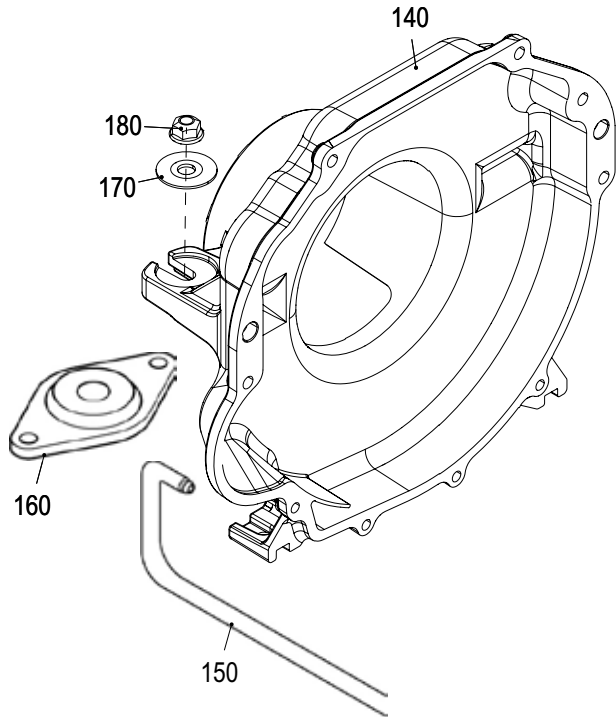
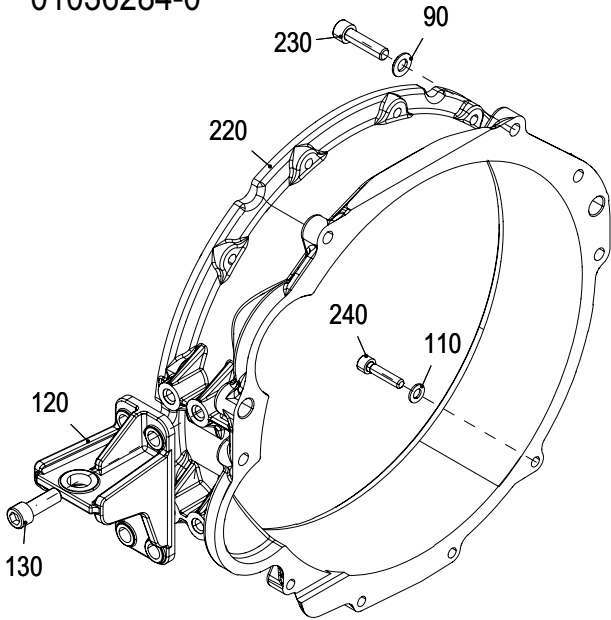


TA 0103

SE126E32
MARINE

FLYWHEEL, FLYWHEELHOUSING

01036284-0



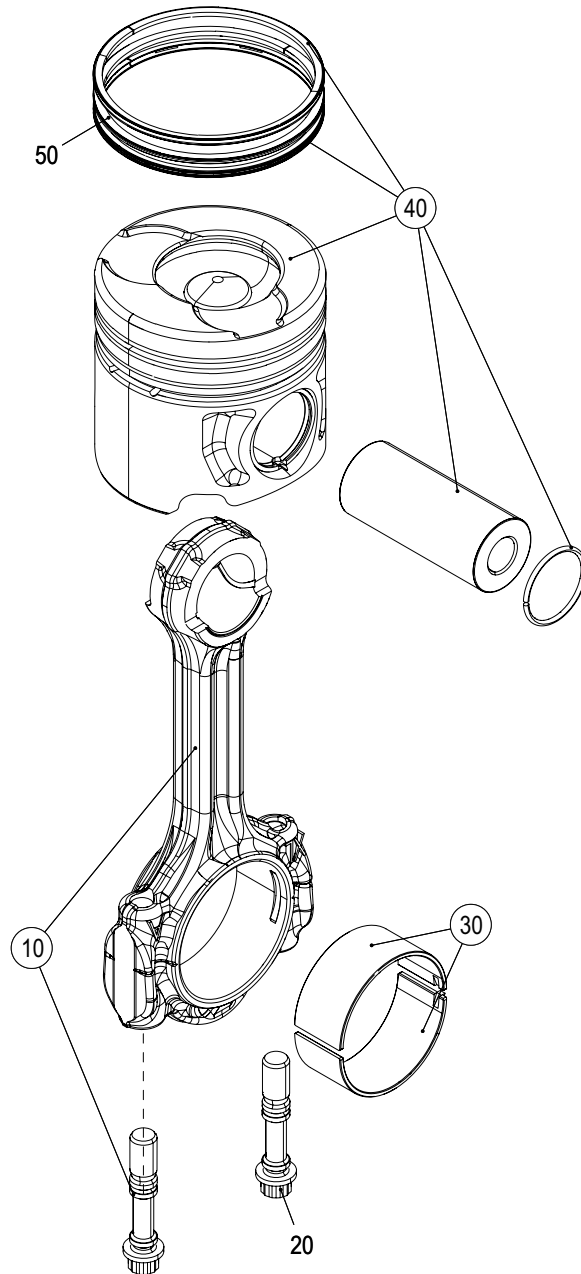


TA 0104

SE126E32
MARINE

PISTON, RINGS AND PIN, CONNECTION ROD

01046284-2



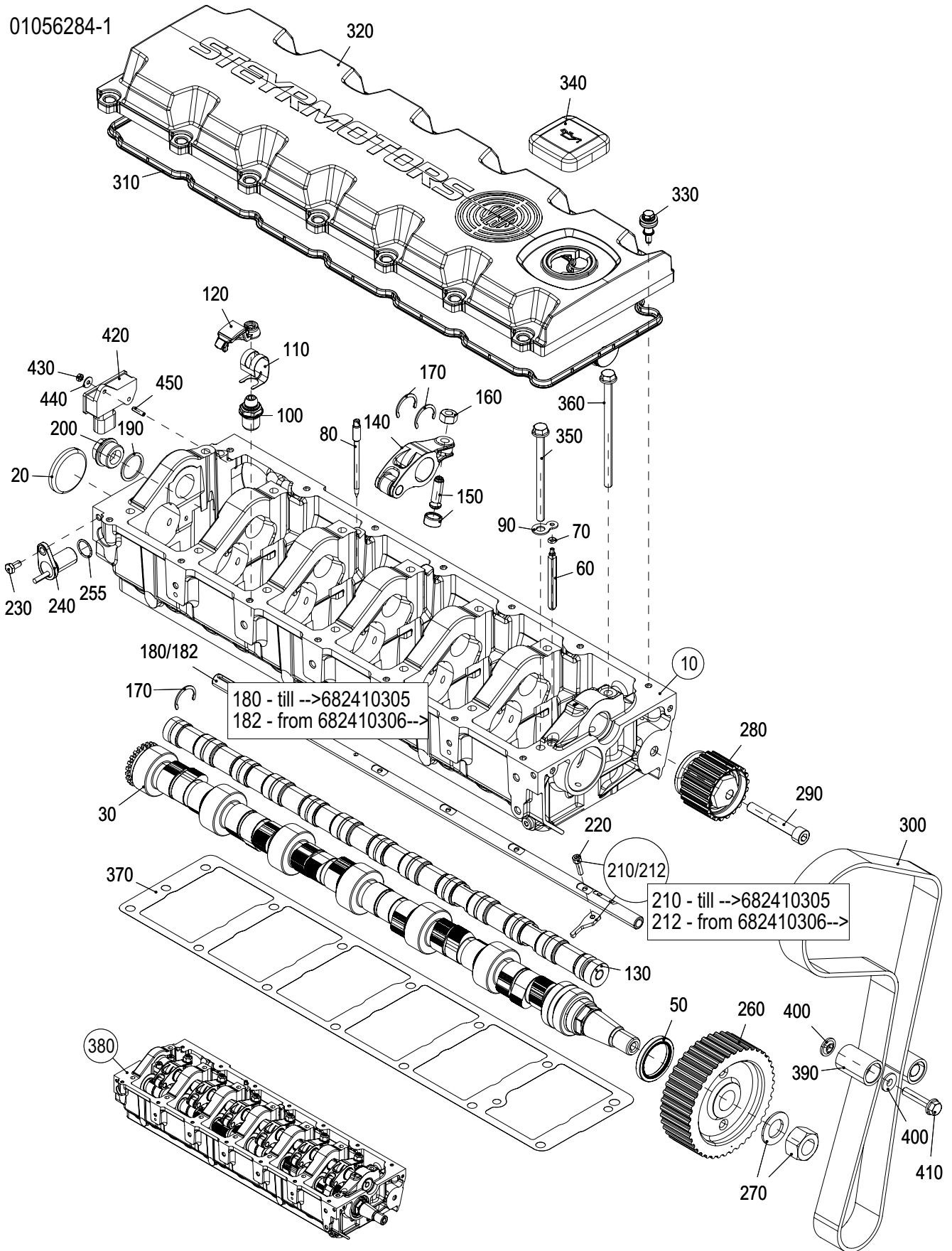


TA 0105

SE126E32 MARINE

CAMSHAFT HOUSING

01056284-1



CAMSHAFT HOUSING

SE126E32
MARINE

01056284-1

| Pos. | Part.-No. | Qty | Designation | Step |
|------|-----------|-----|--|------|
| 10 | 500900 | 1 | CAMSHAFT HOUSING ASSY. (RAL9006) | .1 |
| 20 | 2178083-0 | 1 | CORE HOLE PLUG 50-7 | ..2 |
| 30 | 2178084-3 | 1 | CAMSHAFT ASSY. | .1 |
| 50 | 2172086-1 | 1 | ROTARY SHAFT SEAL | .1 |
| 60 | 2178486-2 | 1 | AXLE SUPPORT | .1 |
| 70 | 2179278-0 | 1 | O-RING 4.3x2.4-FPM80/610-ISO3601-1A | .1 |
| 80 | 2177513-2 | 1 | GUIDE PIN CONTROL RACK | .1 |
| 90 | 2179251-0 | 1 | LOCKING DEVICE, AXLE SUPPORT | .1 |
| 100 | 2174546-2 | 12 | VALVE TAPPET ADJ. SCREW ASSY. | .1 |
| 110 | 2174552-0 | 12 | RETAINING SPRING | .1 |
| 120 | 2177139-1 | 12 | CAM FOLLOWER ASSY. | .1 |
| 130 | 2180860-0 | 1 | ECCENTRIC SHAFT ASSY. | .1 |
| 140 | Z002094-0 | 6 | ROCKER ARM ASSY. W. SETSCREW | .1 |
| 150 | Z002010-0 | 6 | TAPPET ADJUSTER ASSY. | .1 |
| 160 | 3871310-0 | 6 | HEX.NUT DIN 934-M10x1-10-G | .1 |
| 170 | 2178796-0 | 14 | CIRCLIP 26x1.2 | .1 |
| 180 | 500897 | 1 | CONTROL RACK INCL. CONTROL LINK (SPA.P.) | .1 |
| 182 | 707334 | 1 | CONTROL RACK | .1 |
| 190 | 3098031-0 | 1 | SEALING RING DIN 7603-A26x31x1.5-CU | .1 |
| 200 | 3962043-0 | 1 | PLUG DIN7604-C-M26x1.5-ST-ZnNi8/Cn/T2 | .1 |
| 210 | Z002009-0 | 6 | CONTROL LINK & BOLT | .1 |
| 212 | 500898 | 6 | CONTROL LINK & BOLT | .1 |
| 220 | 3860140-0 | 1 | HEX.SOCK. SCR. ISO 4762-M5x20-LH-10.9-BR | .1 |
| 230 | 3800238-0 | 1 | HEX.HD.SCR. ISO 4017-M6x12-A4-70 | .1 |
| 240 | 500790 | 1 | SPEED SENSOR, SPARE PART | .1 |
| 255 | 900579 | 1 | O-RING 15x1.5-FVMQ70-ISO3601-1A | ..2 |
| 260 | 2177642-0 | 1 | TIMING BELT PULLEY CAMSHAFT | .1 |
| 270 | Z002011-0 | 1 | NUT & WASHER, CAMSHAFT PULLEY | .1 |
| 280 | 500945 | 1 | IDLER PULLEY ASSY. | .1 |
| 290 | 3860155-0 | 1 | SCR. ISO 4762-M10x70-10.9-FLZNNC-720H-L | .1 |
| 300 | 2179985-0 | 1 | TIMING BELT | .1 |



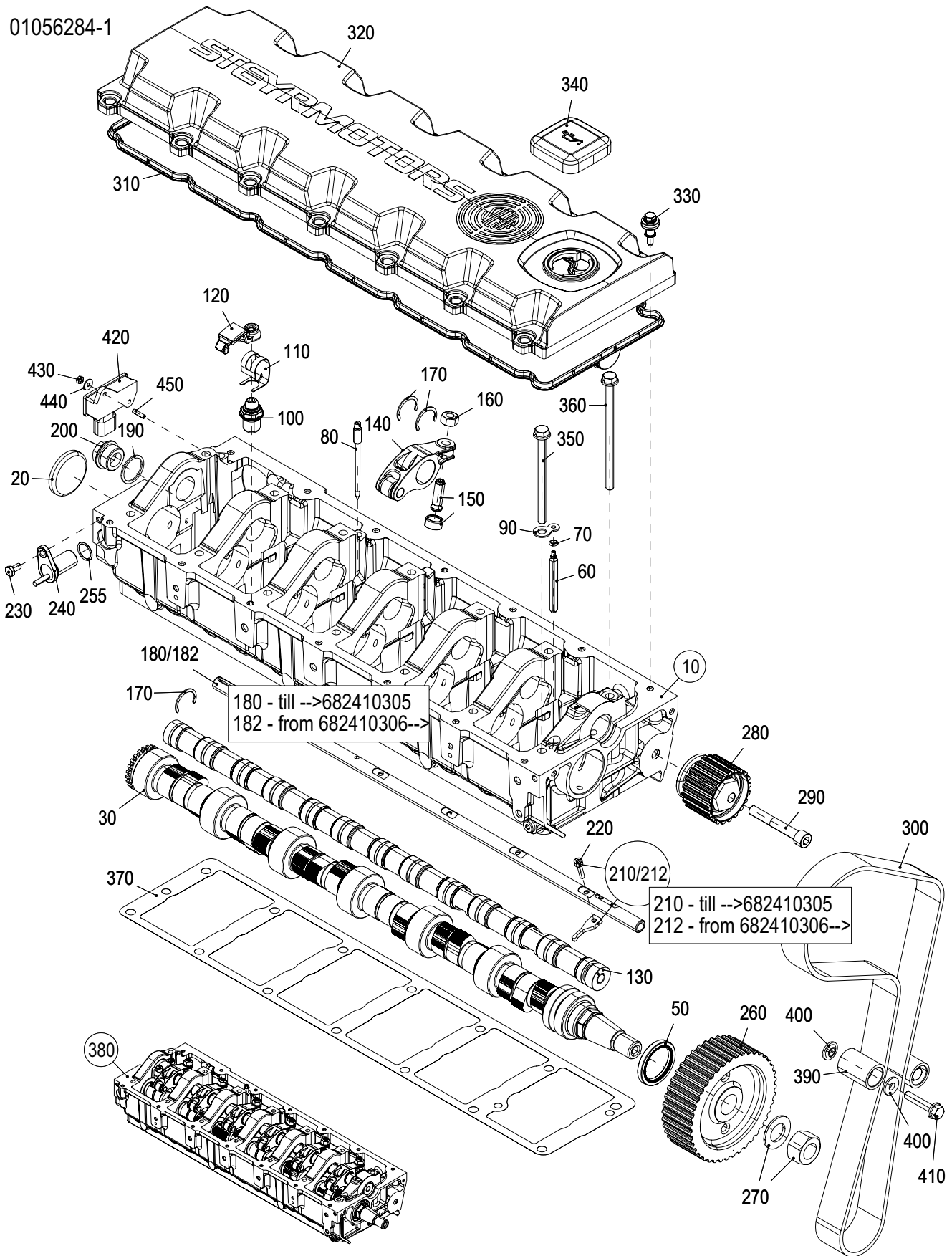


TA 0105

SE126E32 MARINE

CAMSHAFT HOUSING

01056284-1



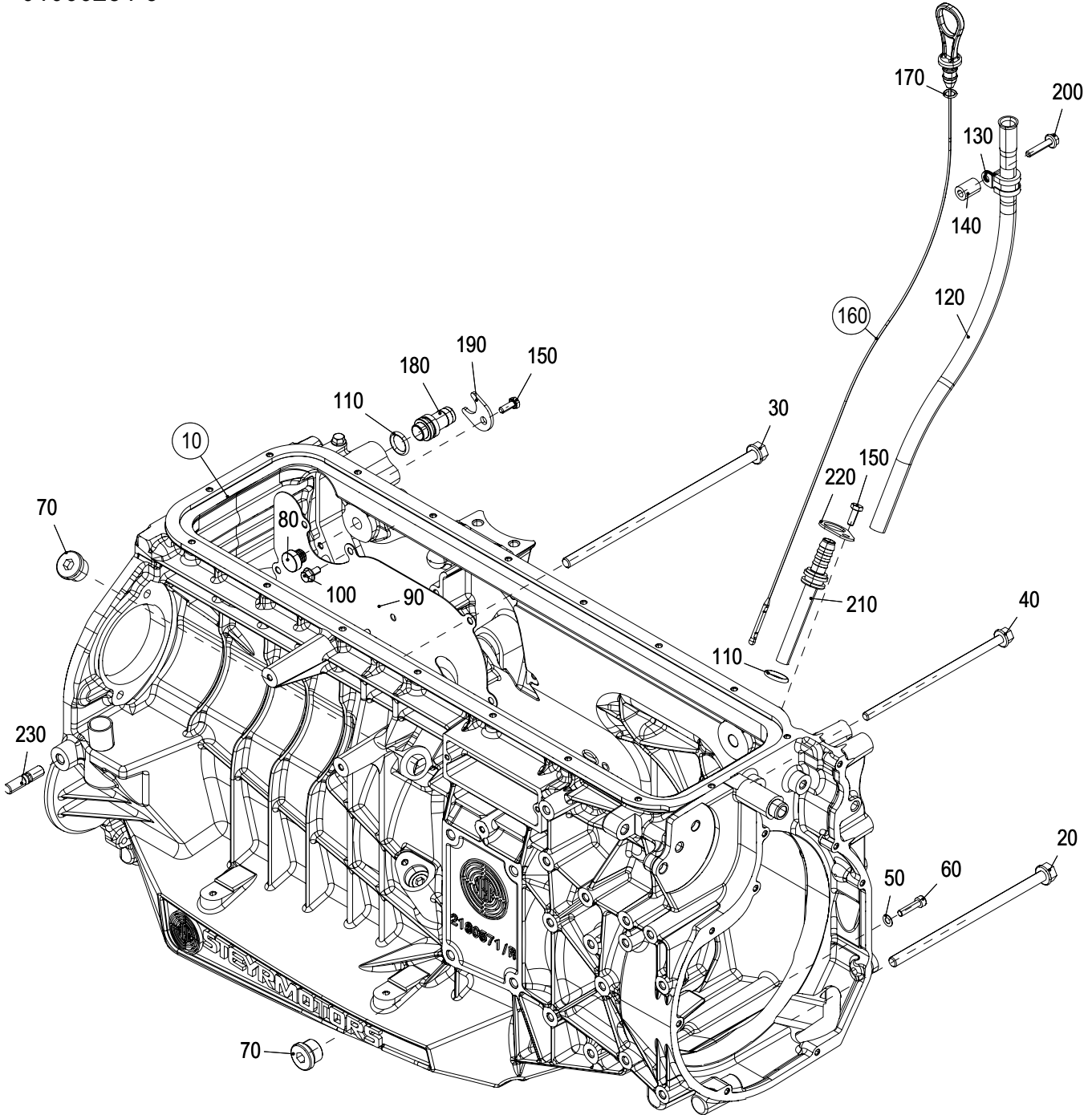


TA 0106

SE126E32
MARINE

OILPAN, OIL DIPSTICK

01066284-3



OILPAN, OIL DIPSTICK

SE126E32
MARINE

01066284-3

| Pos. | Part.-No. | Qty | Designation | Step |
|------|-----------|-----|--|------|
| 10 | Z026103-0 | 1 | ENGINE HOUSING ASSY. | .1 |
| 20 | 9000464-0 | 2 | HEX.BOLT EN1665-M10x200-8.8-FLZNNC-720-L | .2 |
| 30 | 9000463-0 | 2 | BOLT EN1665-M10x250-8.8-FLZNNC-720H-L | .2 |
| 40 | 9000465-0 | 3 | HEX.BOLT EN1665-M8x180-8.8-FLZNNC-720H-L | .2 |
| 50 | 3932008-0 | 12 | SP. WASHER DIN 137-B6-FST-FLZNNC-480H | .2 |
| 60 | 3862327-0 | 12 | SCR. ISO 4762-M6x25-8.8-FLZNNC-720H-L | .2 |
| 70 | 9000590-0 | 2 | SCR.PLUG WITH RUBBER SEAL M22x1.5 | .2 |
| 80 | 2174072-0 | 4 | RUBBER PAD | .2 |
| 90 | 2180815-0 | 1 | COVER PRE OIL SEPARATOR | .2 |
| 100 | 9000287-0 | 9 | BOLT EN1665-M6x12-8.8-FLZNNC-720H-L | .2 |
| 110 | 2178310-1 | 2 | O-RING 17x3.53-FPM70-ISO3601-1A | .1 |
| 120 | 2180818-0 | 1 | TUBE OIL-DIPSTICK | .1 |
| 130 | 2178566-0 | 1 | PIPE CLAMP RSGU1.15/15-W5 | .1 |
| 140 | 2180895-0 | 1 | DISTANCE SLEEVE | .1 |
| 150 | 3800233-0 | 2 | HEX.HD.SCR. ISO 4017-M6x16-A4-70 | .1 |
| 160 | 708241 | 1 | OIL DIP STICK ASSY. | .1 |
| 170 | 2203689-0 | 2 | O-RING 9.0x2.0 | .2 |
| 180 | 2179544-0 | 1 | FITTING DM16 | .1 |
| 190 | 2179543-0 | 1 | CLAMPING PLATE | .1 |
| 200 | 9000537-0 | 1 | HEX.FLANGE BOLT EN 1665-M6x30-A2-70 | .1 |
| 210 | 2180817-0 | 1 | NOOZLE OIL DIP STICK | .1 |
| 220 | 2201476-0 | 1 | MOUNTING PLATE | .1 |
| 230 | 9000478-0 | 1 | STUD DIN 835-M10x25-A2-70 | .1 |
| | | | | |
| | | | | |
| | | | | |
| | | | | |
| | | | | |
| | | | | |
| | | | | |



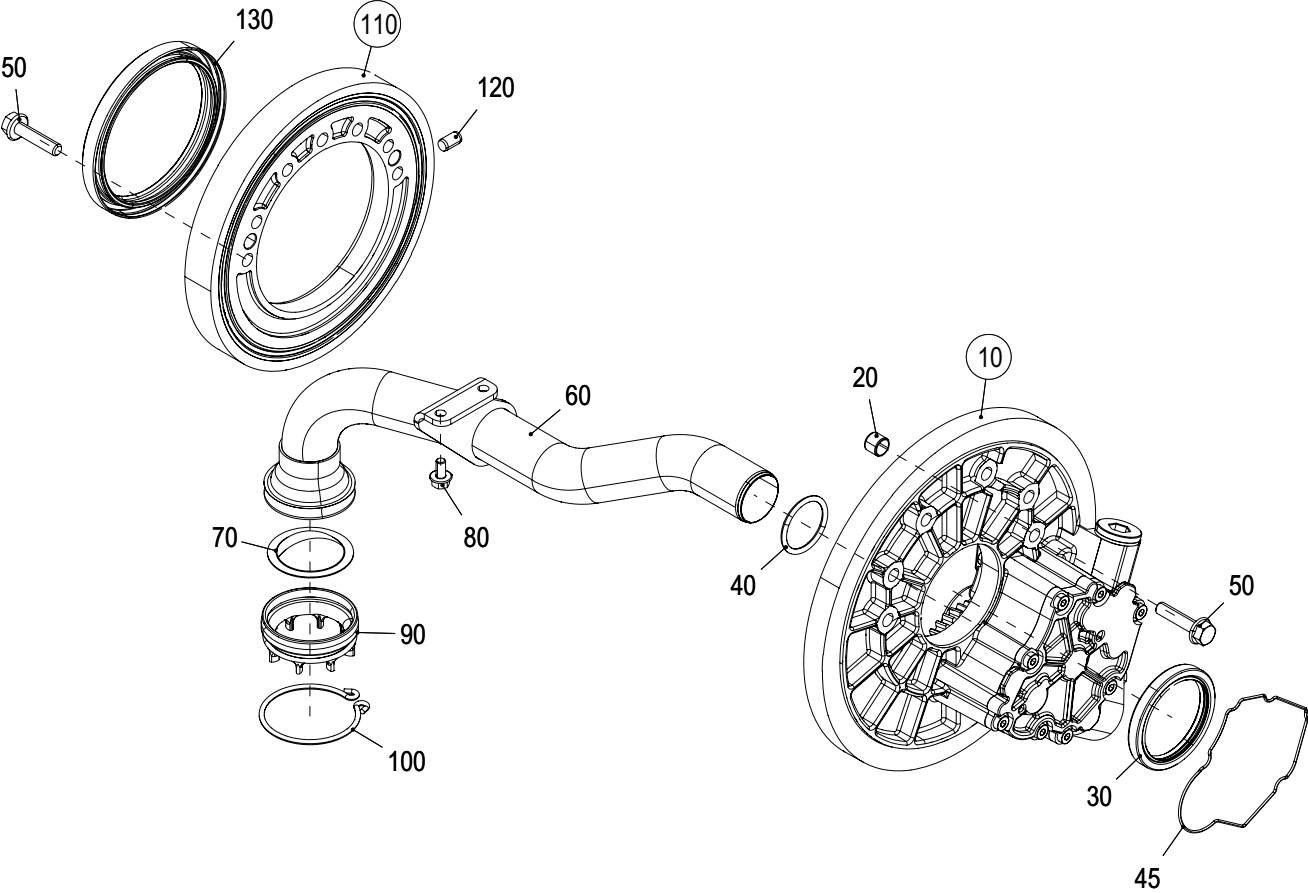


TA 0106

SE126E32
MARINE

OIL PUMP, SUPPORT RING

01066284-A



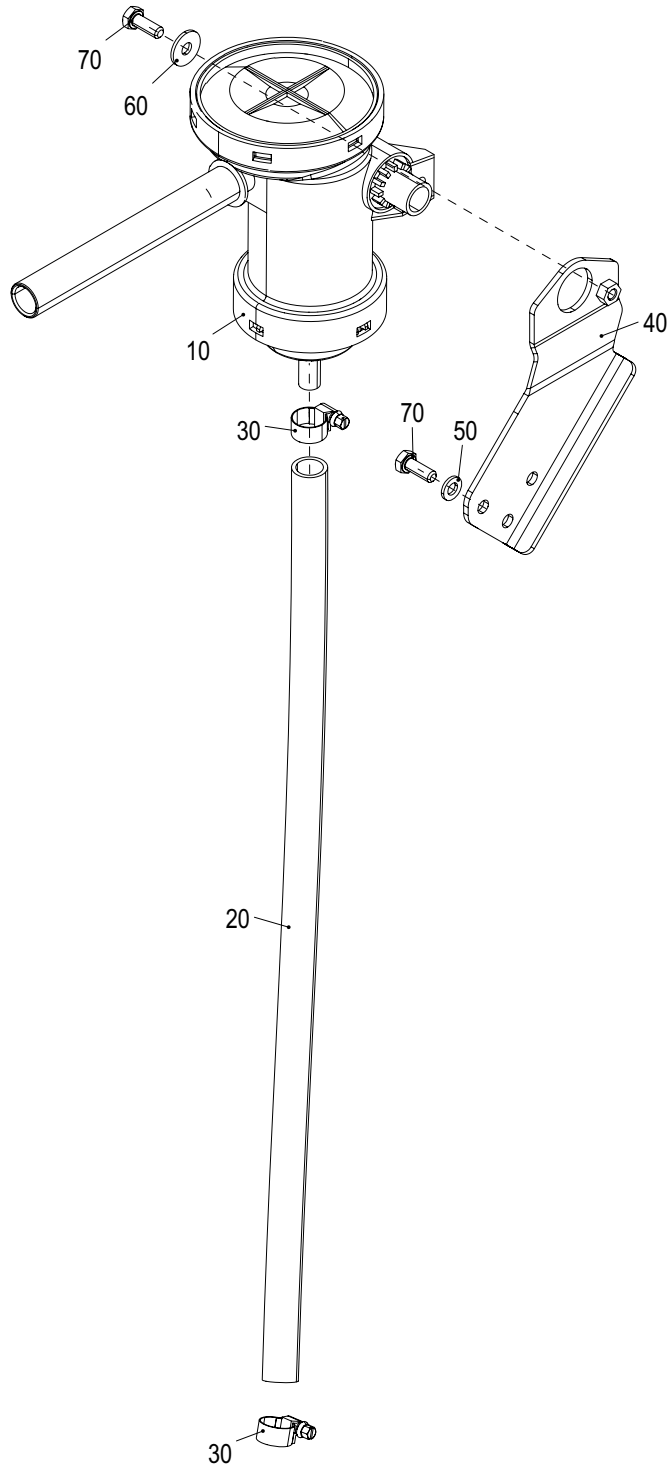


TA 0106

**SE126E32
MARINE**

OIL SEPARATOR, BLOWBY LINES

01066284-J



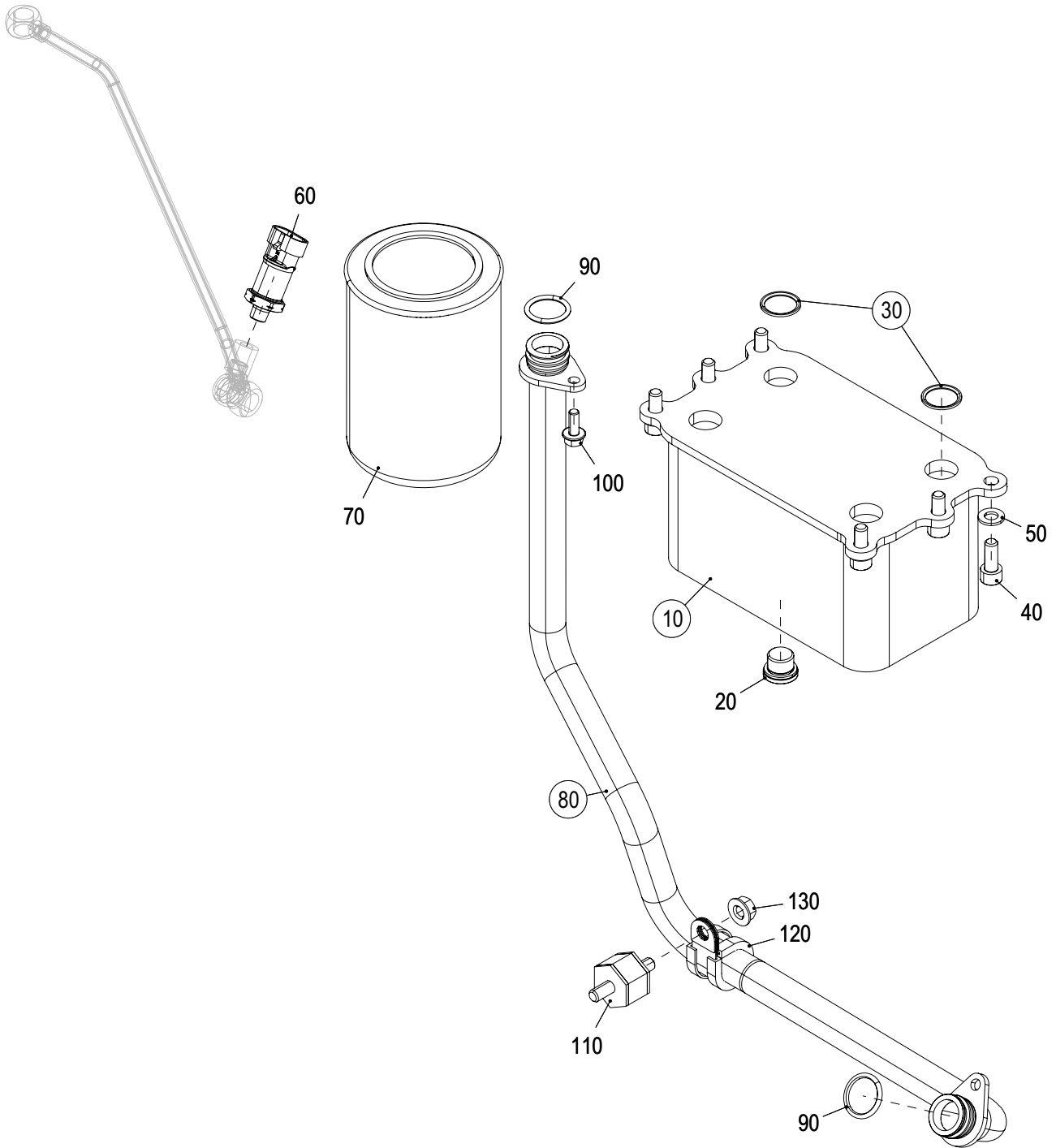


TA 0106

**SE126E32
MARINE**

OIL COOLER, OIL FILTER, OIL LINES

01066284-R



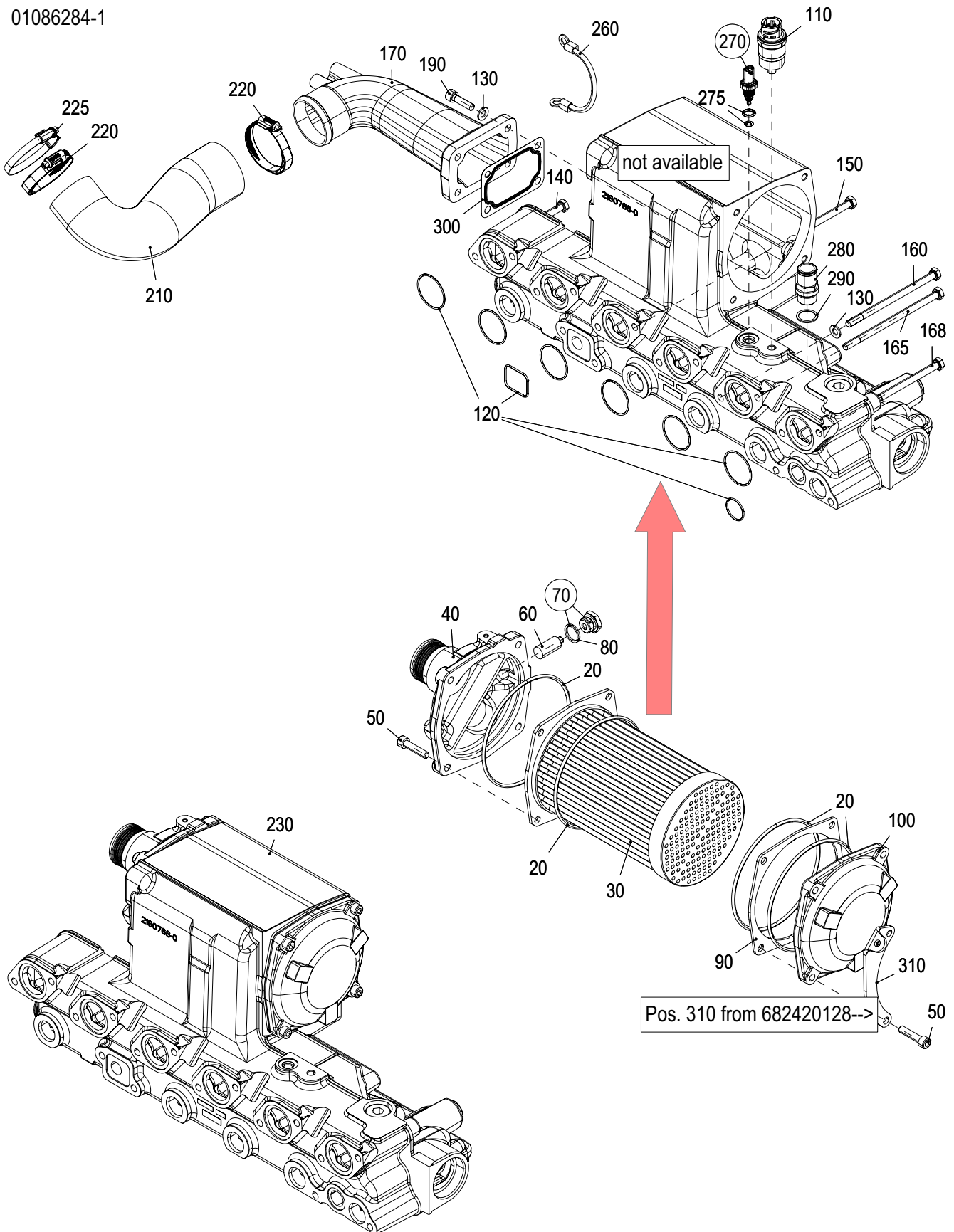


TA 0108

SE126E32 MARINE

INTERCOOLER

01086284-1



INTERCOOLER

SE126E32
MARINE

01086284-1

| Pos. | Part.-No. | Qty | Designation | Step |
|------|-----------|-----|--|------|
| 20 | 2180010-0 | 4 | O-RING 135x4 | .1 |
| 30 | 2180877-0 | 1 | INTERCOOLER | .1 |
| 40 | Z026106-0 | 1 | COVER INTERCOOLER REAR (RAL9006) | .1 |
| 50 | 9000064-0 | 8 | HEX.SCR.ISO 4762-M8x35-8.8-FLZNNC-720H-L | .1 |
| 60 | 2178413-1 | 1 | ZINC ANODE | .1 |
| 70 | Z002017-0 | 1 | PLUG & SEAL FOR ZINC-ANODE | .1 |
| 80 | 900631 | 1 | SEALING RING DIN 7603-A18x24-CU | .2 |
| 90 | 2180012-0 | 1 | SPACER, INTERCOOLER | .1 |
| 100 | Z026107-0 | 1 | COVER INTERCOOLER FRONT (RAL9006) | .1 |
| 110 | 2180803-0 | 1 | PRESSURE SENSOR 1-8 27 NPT | .1 |
| 120 | Z026108-0 | 1 | SEAL KIT, INTAKE MANIFOLD | .1 |
| 130 | 3930103-0 | 16 | WASHER ISO 7089-8-A4-200HV | .1 |
| 140 | 3800471-0 | 3 | BOLT ISO 4014-M8x90-8.8-FLZNNC-720H-L | .1 |
| 150 | 9000295-0 | 7 | HE.BO.ISO4014-M8x220-8.8-A-FLZNNC-720H-L | .1 |
| 160 | 9000288-0 | 4 | HE.BO.ISO4014-M8x140-8.8-A-FLZNNC-720H-L | .1 |
| 165 | 3800493-0 | 1 | H.BOLT ISO 4014-M8x150-8.8-FLZNNC-720H-L | .1 |
| 168 | 9000329-0 | 1 | HEX.HD.BOLT ISO 4014-M8x115-A4-70 | .1 |
| 170 | Z026109-0 | 1 | PRESSURE PIPE (RAL9006) | .1 |
| 190 | 3862433-0 | 4 | HEX.SOCK. SCR. ISO 4762-M8x30-A4-70 | .1 |
| 210 | 2181067-0 | 1 | CHARGE AIR HOSE | .1 |
| 220 | 2181189-0 | 2 | HOSE CLAMP WITH SPRING 50-70-12 | .1 |
| 225 | 2179022-0 | 1 | HOSE CLAMP WITH SPRING 50-70/9 | .1 |
| 230 | Z026104-0 | 1 | INTERCOOLER ASSY. (RAL9006) | .1 |
| 260 | 2178968-0 | 1 | GROUND WIRE | .1 |
| 270 | 2180962-0 | 1 | CHARGE AIR TEMP. SENSOR INCL. O-RINGS | .1 |
| 275 | 500850 | 1 | SEAL KIT, TEMPERATUR SENSOR | .2 |
| 280 | 9000648-4 | 1 | SCREW-IN SOCKET M22x1.5-22 | .1 |
| 290 | 9000815-0 | 1 | PROFILED GASKET DIN 3869-22-FPM | .1 |
| 300 | 2201914-0 | 1 | GASKET CHARGE AIR COOLER | .1 |
| 310 | 707660 | 1 | SUPPORT EXPANSION TANK | .1 |



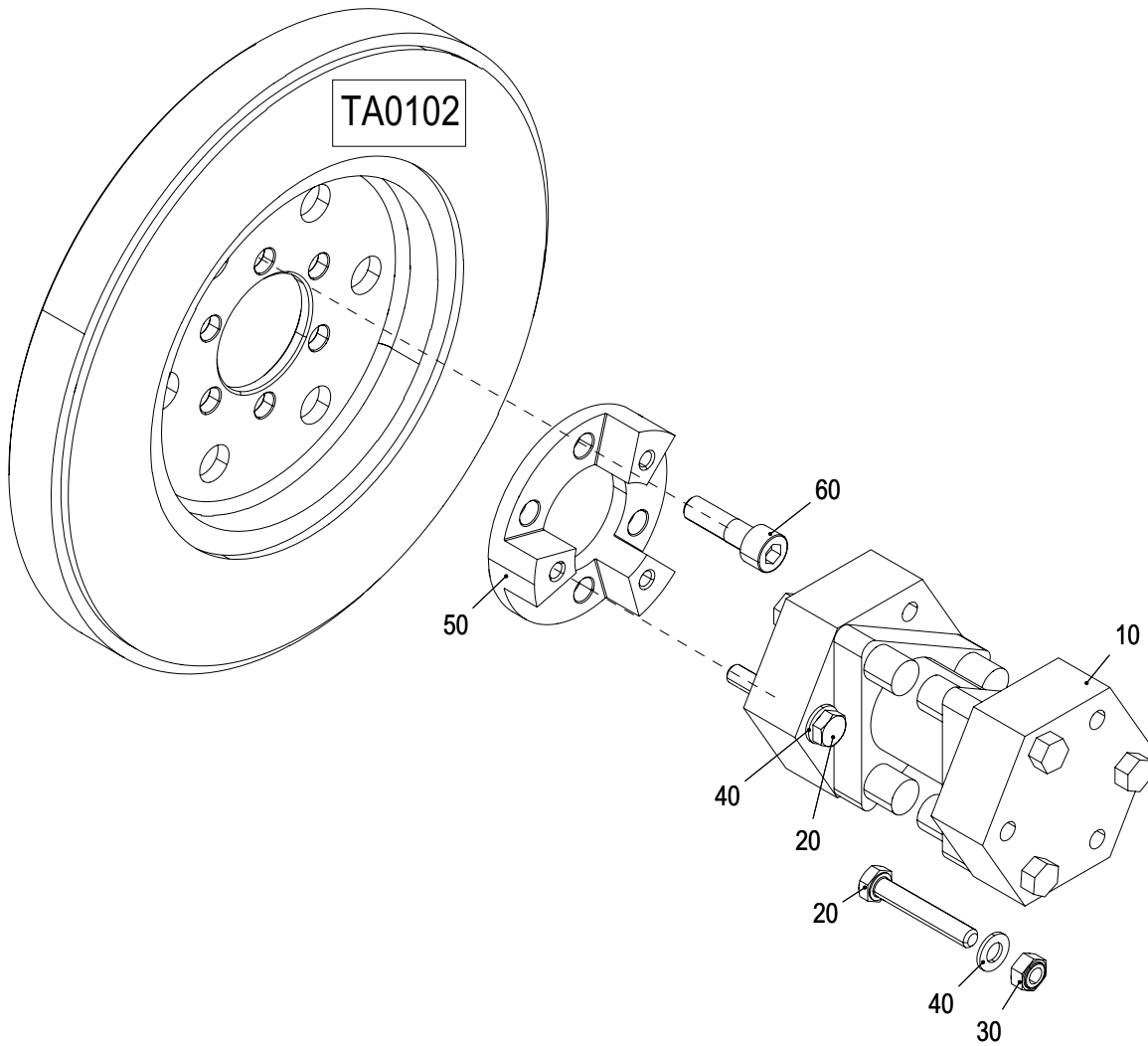


TA 0109

**SE126E32
MARINE**

POWER TAKE OFF FRONT

01096184-0



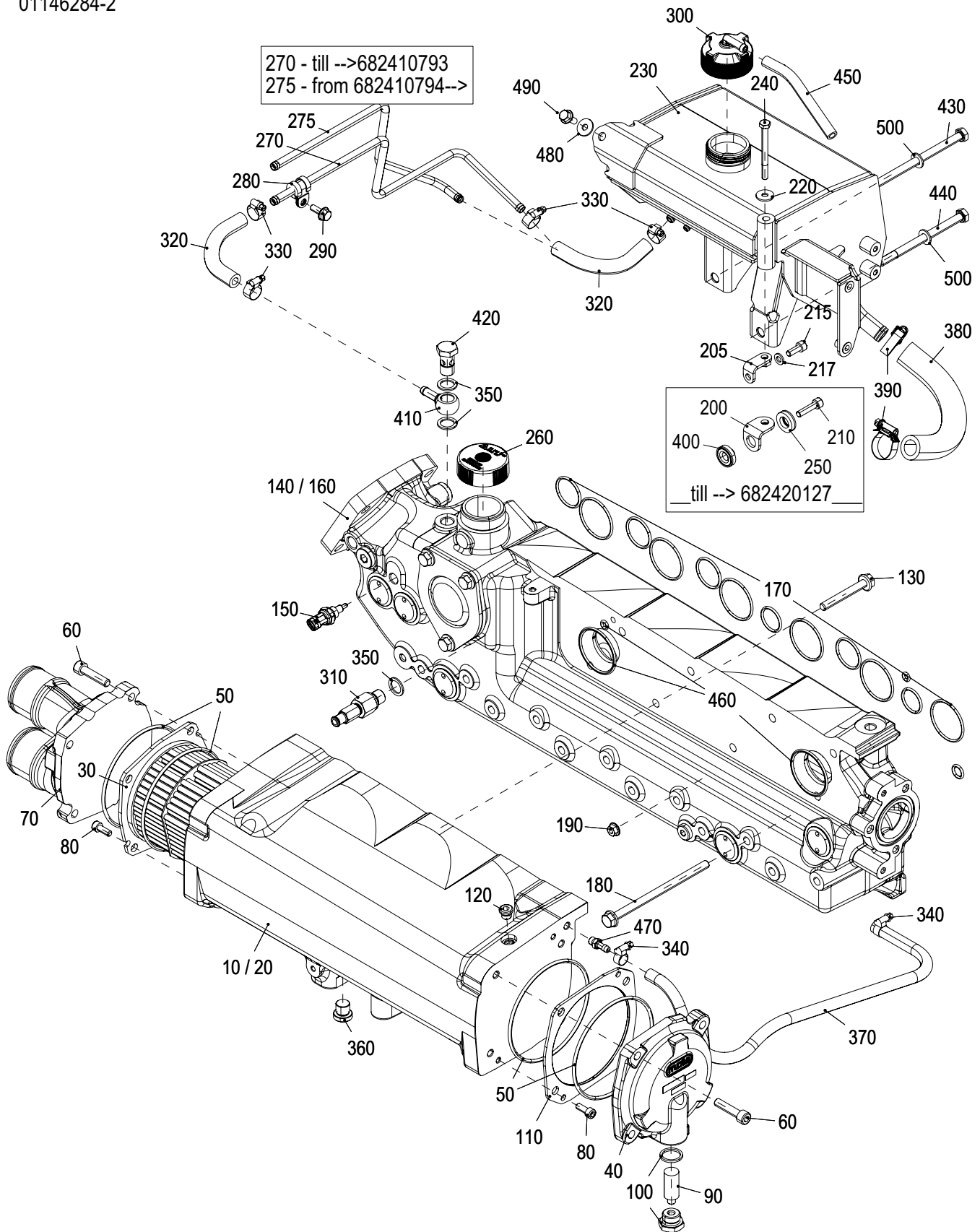


TA 0114

SE126E32 MARINE

EXHAUST, HEAT EXCHANGER, GASKETS

01146284-2



EXHAUST, HEAT EXCHANGER, GASKETS

SE126E32
MARINE

01146284-2

| Pos. | Part.-No. | Qty | Designation | Step |
|------|-----------|-----|--|------|
| 10 | Z026115-0 | 1 | HEAT EXCHANGER ASSY. (RAL9006) | .1 |
| 20 | 500091 | 1 | HEAT EXCHANGER HOUSING (RAL9006) | .2 |
| 30 | 700974 | 1 | HEAT EXCHANGER | .2 |
| 40 | 500092 | 1 | COVER HEAT EXCHANGER (RAL9006) | .2 |
| 50 | 900090 | 4 | O-RING 107.55x3.53-FPM70-ISO3601-1A | .2 |
| 60 | 9000064-0 | 8 | HEX.SCR.ISO 4762-M8x35-8.8-FLZNNC-720H-L | .2 |
| 70 | 500093 | 1 | COVER HEAT EXCHANGER (RAL9006) | .2 |
| 80 | 3862316-0 | 4 | SCR. ISO 4762-M6x16-8.8-FLZNNC-720H-L | .2 |
| 90 | 2178413-1 | 1 | ZINC ANODE | .2 |
| 100 | Z002017-0 | 1 | PLUG & SEAL FOR ZINC-ANODE | .2 |
| 110 | 700975 | 1 | SPACER | .2 |
| 120 | 9000585-0 | 1 | HEX.SOCK.SCR.PLUG WITH RUBBER SEAL M10x1 | .2 |
| 130 | 9000304-0 | 8 | BOLT EN1665-M8x60-8.8-FLZNNC-720H-L | .1 |
| 140 | Z026114-0 | 1 | EXHAUST MANIFOLD ASSY. (RAL9006) | .1 |
| 150 | 2180773-0 | 1 | TEMPERATURE SENSOR W. SEAL RING | .1 |
| 160 | Z026118-0 | 1 | EXHAUST MANIFOLD COMPL. ASSY. (RAL9006) | .1 |
| 170 | Z002652-0 | 1 | SEAL KIT, EXH.MANIF.-BLOCK (O-RINGS) | .1 |
| 180 | 900590 | 12 | HEX.BOL.EN1665-M8x135-10.9-FLZNNC-720H-L | .1 |
| 190 | 3880049-0 | 3 | HEX.FLANGE NUT EN 1661-M6-A4-70 | .1 |
| 200 | 2181222-0 | 1 | BRACKET EXPANSION TANK | .1 |
| 205 | 2180918-0 | 1 | FASTENING TAB, EXPANSION TANK | .1 |
| 210 | 9001088-0 | 1 | HEX.SOCK. SCR. ISO 4762-M6x25-A2-70 | .1 |
| 215 | 3862316-0 | 1 | SCR. ISO 4762-M6x16-8.8-FLZNNC-720H-L | .1 |
| 217 | 3930251-0 | 1 | WASHER ISO 7089-6-140HV-FLZNNC-480H | .1 |
| 220 | 9000012-0 | 1 | WASHER ISO 7093-6.4-140HV-A2 | .1 |
| 230 | Z026156-0 | 1 | EXPANSION TANK (RAL9006) | .1 |
| 240 | 9001104-0 | 1 | HEX. BOLT ISO 4014-M6x70-A2-70 | .1 |
| 250 | 2201540-0 | 3 | WASHER, W. KNITTED WIRE MESH | .1 |
| 260 | Z021020-0 | 1 | SEALING CAP COOLER | .1 |
| 270 | 500912 | 1 | PIPE WATER EXPANSION TANK | .1 |
| 275 | 501081 | 1 | PIPE WATER EXPANSION TANK | .1 |



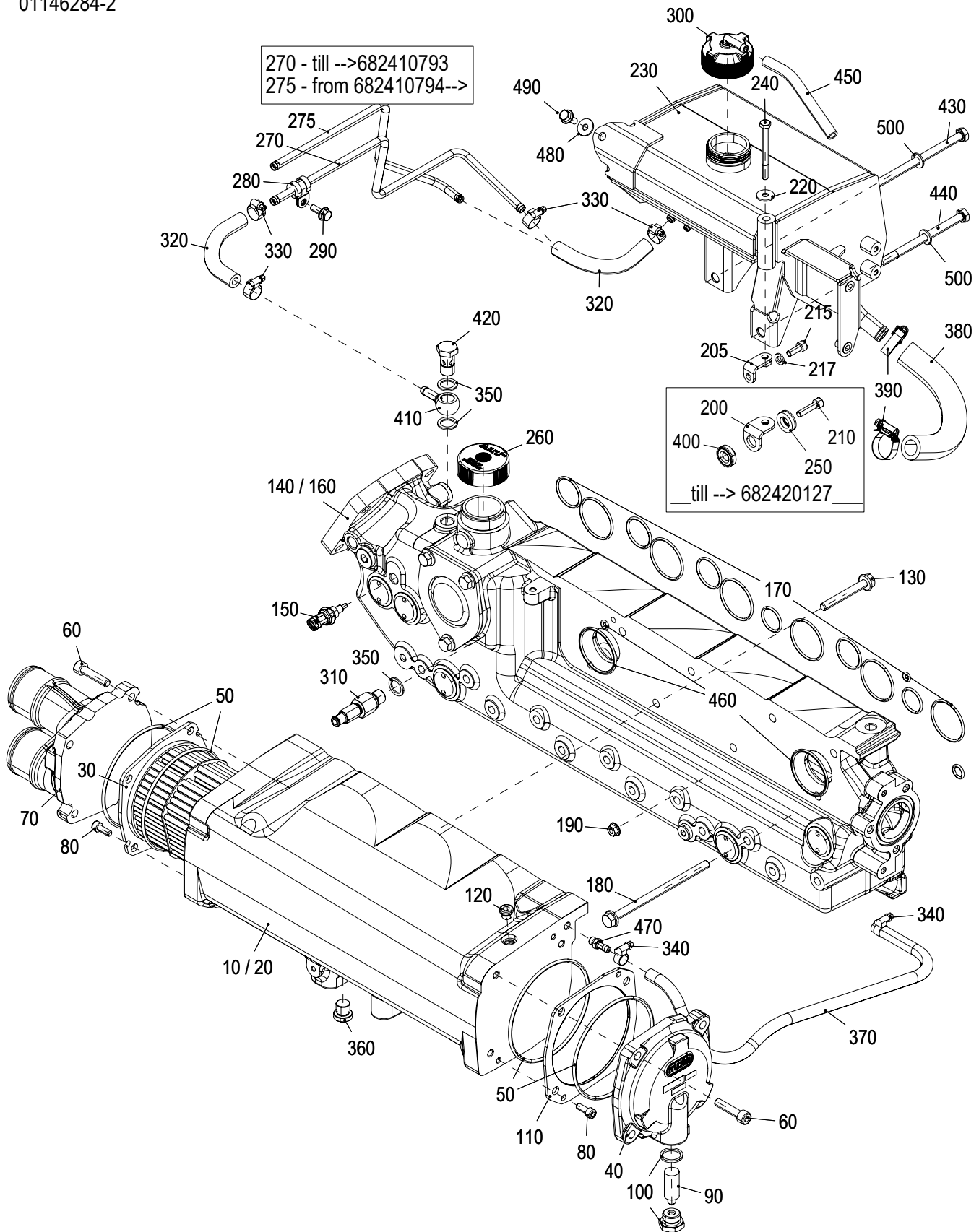


TA 0114

SE126E32 MARINE

EXHAUST, HEAT EXCHANGER, GASKETS

01146284-2



EXHAUST, HEAT EXCHANGER, GASKETS**SE126E32
MARINE**

01146284-2

| Pos. | Part.-No. | Qty | Designation | Step |
|------|-----------|-----|--|------|
| 280 | 2205232-1 | 2 | CLAMP RS1.8/15-W1 | .1 |
| 290 | 9001001-0 | 2 | HEX.FLANGE BOLT EN 1665-M6x16-A4-70 | .1 |
| 300 | 2181153-0 | 1 | RADIATOR CAP | .1 |
| 310 | 2180843-0 | 1 | DRAIN COCK ASSY. | .1 |
| 320 | 500908 | 1 | HOSE DN6, DMI=8 L=700±5 | .1 |
| 330 | 2174405-0 | 4 | HOSE CLAMP 10-16/7.5 | .1 |
| 340 | 2178893-0 | 2 | HOSE CLAMP 8-12-7.5 | .1 |
| 350 | 9001171-0 | 3 | BOUNDED SEAL 14.7x21x1.5 | .1 |
| 360 | 9000587-0 | 1 | SCR.PLUG WITH RUBBER SEAL M14x1.5 | .1 |
| 370 | 500906 | 1 | HOSE DN4, DMI=6 L=700±5 | .1 |
| 380 | 2178942-0 | 1 | HOSE | .1 |
| 390 | 2177753-0 | 2 | HOSE CLAMP 16-25/9 | .1 |
| 400 | 2201541-0 | 3 | SLEEVE, W. KNITTED WIRE MESH | .1 |
| 410 | 2174383-0 | 1 | BANJO DN6 DIN7642 | .1 |
| 420 | 9000053-0 | 1 | HO.SCR.M14x1.5-DIN7643-10-ZnNi8/An/T2 | .1 |
| 430 | 3800493-0 | 1 | H.BOLT ISO 4014-M8x150-8.8-FLZNNC-720H-L | .1 |
| 440 | 9000329-0 | 1 | HEX.HD.BOLT ISO 4014-M8x115-A4-70 | .1 |
| 450 | 2174682-0 | 1 | HOSE, OVERFLOW | .1 |
| 460 | 500112 | 1 | SEAL KIT, HEAT EXCHANGER - EXH. MANIFOLD | .1 |
| 470 | 2203376-0 | 1 | HOSE NOZZLES WITH THREAD | .1 |
| 480 | 900221 | 1 | WASHER ISO 7093-1-6-200HV-A4 | .1 |
| 490 | 9000273-0 | 1 | BOLT EN1665-M6x16-8.8-FLZNNC-720H-L | .1 |
| 500 | 3930103-0 | 2 | WASHER ISO 7089-8-A4-200HV | .1 |
| | | | | |
| | | | | |
| | | | | |
| | | | | |
| | | | | |
| | | | | |
| | | | | |
| | | | | |
| | | | | |
| | | | | |
| | | | | |
| | | | | |



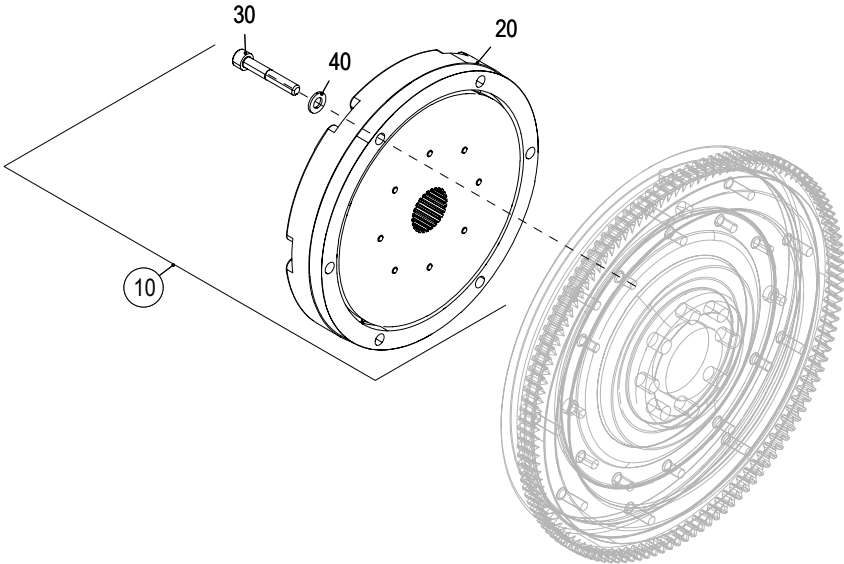


TA 0200

SE126E32
MARINE

TORSIONAL COUPLING

02006284-0



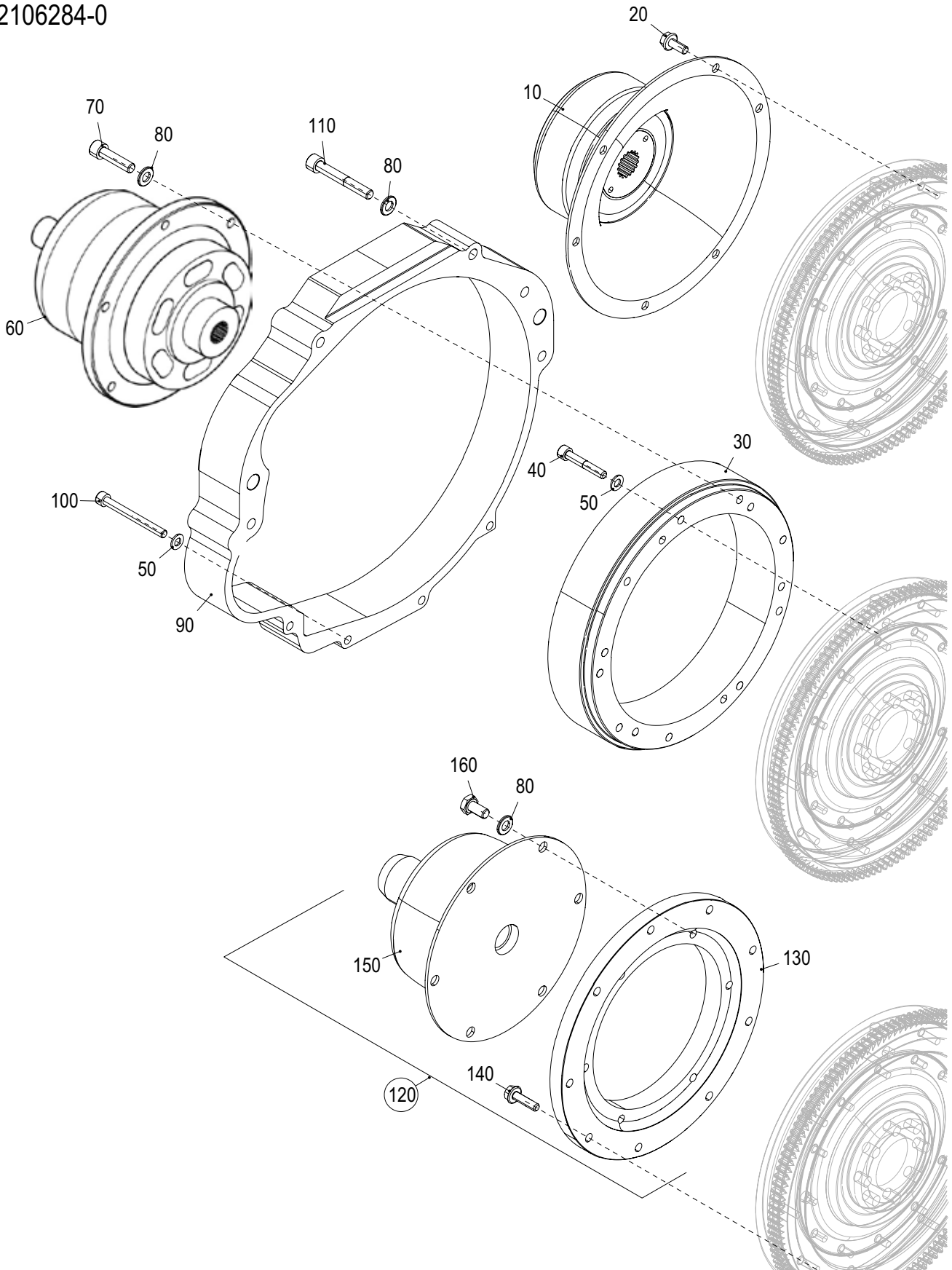


TA 0210

SE126E32
MARINE

COUPLER

02106284-0



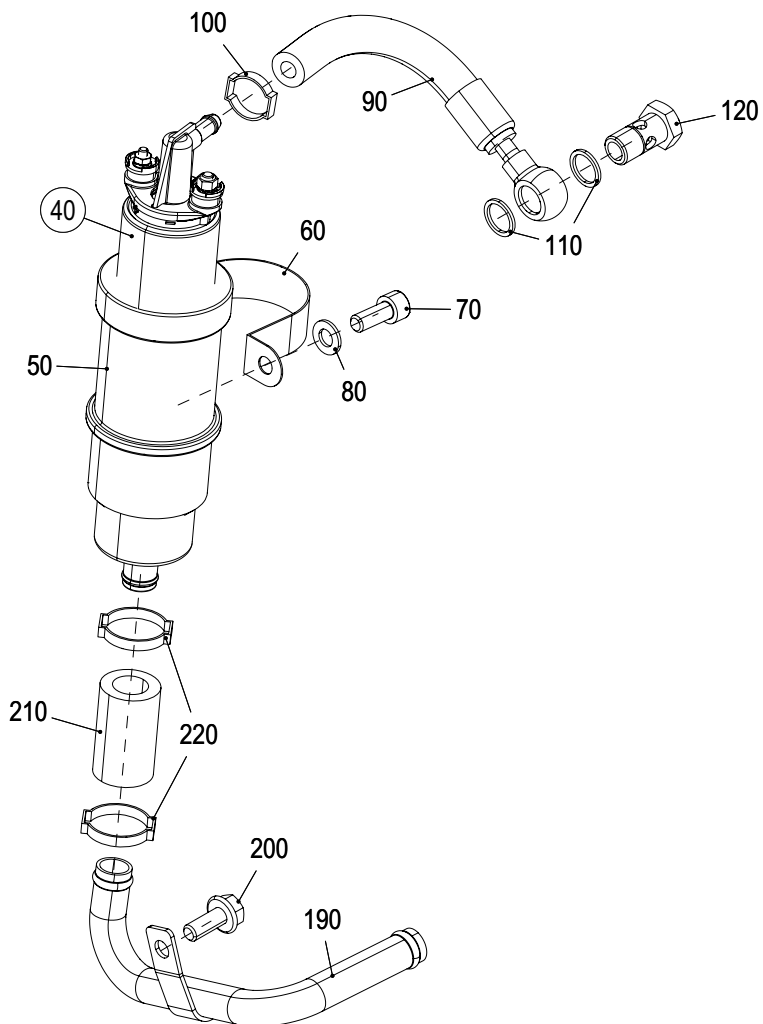
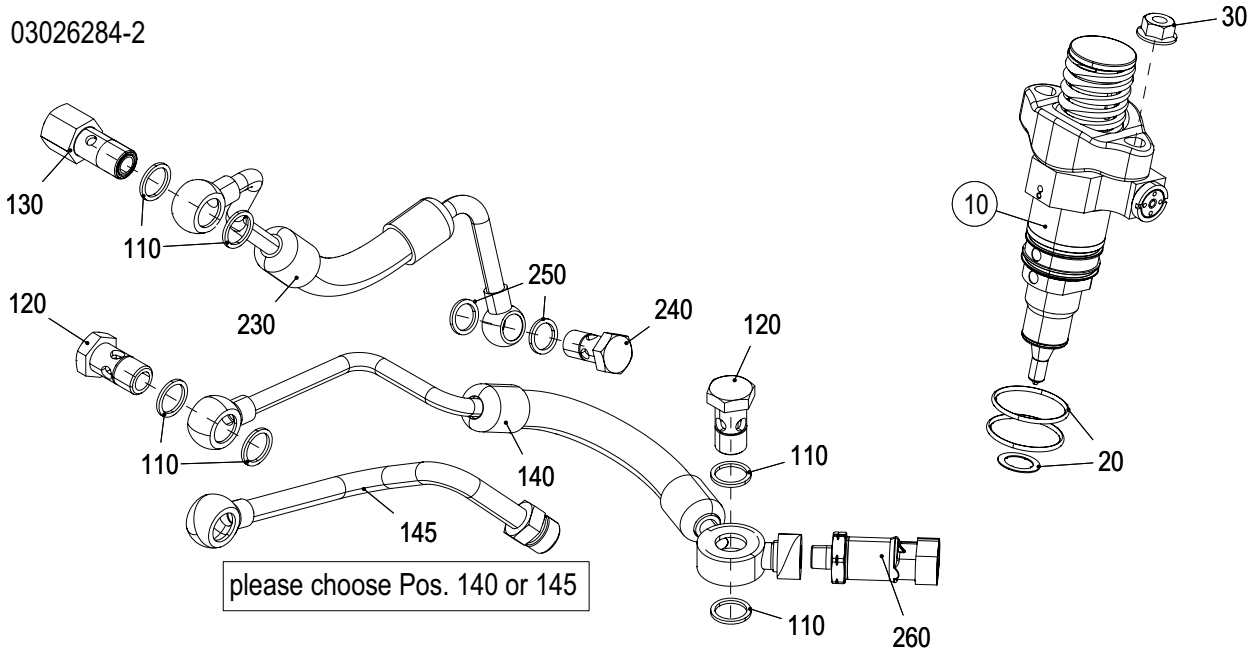


TA 0302

SE126E32 MARINE

FUEL PUMP, UNIT INJECTOR, FUEL LINES

03026284-2



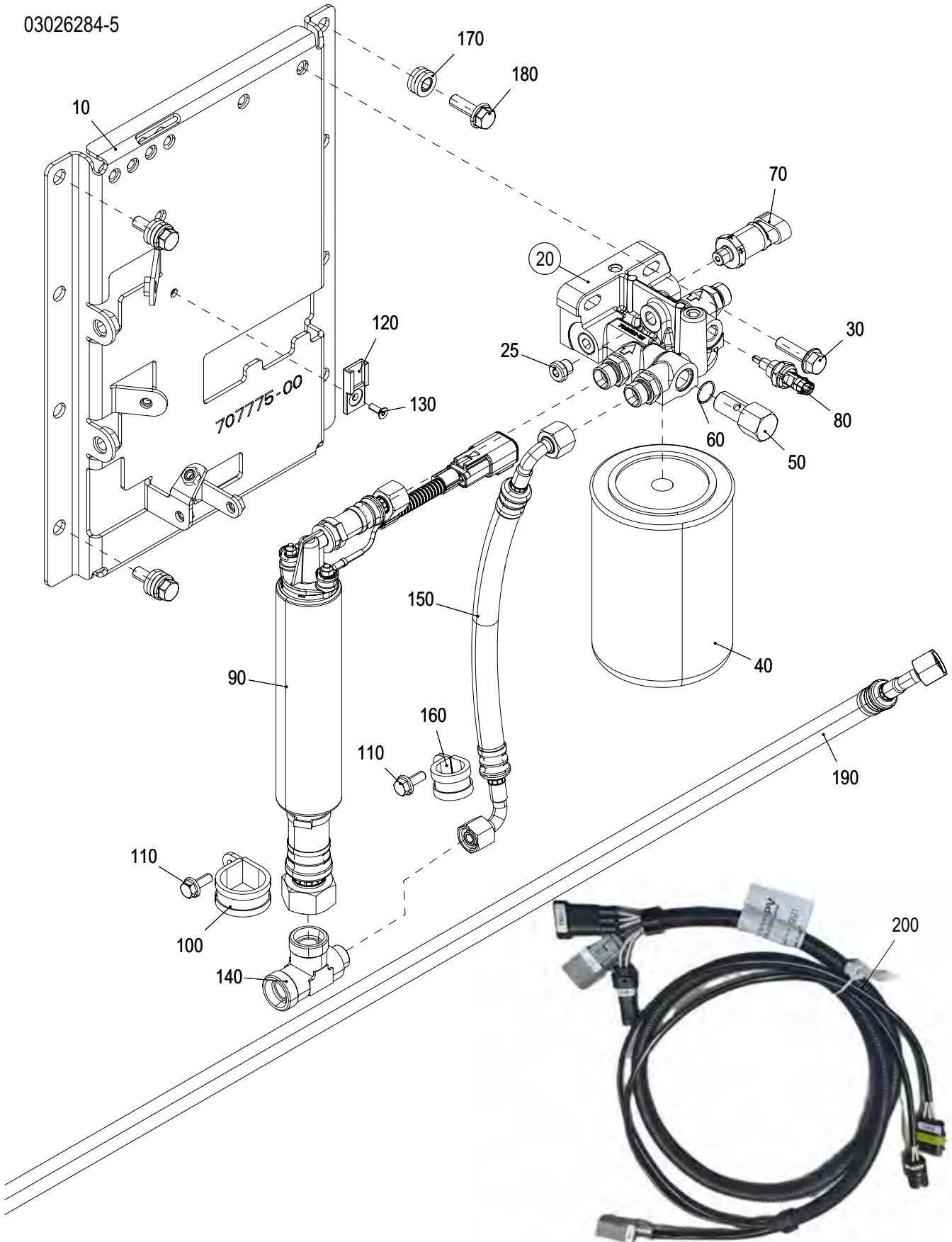


TA 0302

SE126E32
MARINE

FUEL SYSTEM EXTERNAL FROM 06/2024

03026284-5



FUEL SYSTEM EXTERNAL FROM 06/2024

SE126E32
MARINE

03026284-5

| Pos. | Part.-No. | Qty | Designation | Step |
|------|-----------|-----|--|------|
| 10 | 707775 | 1 | MOUNTING PLATE, FUEL SYSTEM EXT. | .1 |
| 20 | 501053 | 1 | BRACKET FUEL-FILTER ASSY. | .1 |
| 25 | 9000585-0 | 1 | HEX.SOCK.SCR.PLUG WITH RUBBER SEAL M10x1 | .2 |
| 30 | 9000431-0 | 2 | BOLT EN1665-M8x30-10.9-FLZNNC-720H-L | .1 |
| 40 | 2180831-0 | 1 | FUEL SPIN-ON FILTER | .1 |
| 50 | 800053 | 1 | PRESSURE LIMIT VALVE | .1 |
| 60 | 900576 | 1 | O-RING 14x1-FKM80-ISO3601-1A | .1 |
| 70 | 2180804-0 | 1 | PRESSURE SENSOR | .1 |
| 80 | 2180773-0 | 1 | TEMPERATURE SENSOR W. SEAL RING | .1 |
| 90 | 803078 | 1 | FUEL PUMP 12V ASSY. | .1 |
| 100 | 2202858-0 | 1 | PIPE CLAMP RSGU1.30/20-W5 | .1 |
| 110 | 3802321-0 | 2 | HEX.SCR.ISO 4017-M6x16-8.8-FLZNNC-720H-L | .1 |
| 120 | 9000136-0 | 1 | CLIP | .1 |
| 130 | 900019 | 1 | SCR. DIN 7991-M4x12-8.8-FLZNNC-720H-L | .1 |
| 140 | 707790 | 1 | RED. SCREW JOINT T-TYPE | .1 |
| 150 | 707779 | 1 | FUEL SUPPLY HOSE FILTER - T-PART | .1 |
| 160 | 704848 | 1 | PIPE CLAMP RSGU1.19/15-W5 | .1 |
| 170 | 501141 | 1 | SPARE PART KIT, INSULATING WASHERS | .1 |
| 180 | 900226 | 4 | BOLT EN1665-M8x25-8.8-FLZNNC-720H-L | .1 |
| 190 | 707830 | 1 | FUEL HOSE ASSY. | .1 |
| 200 | 707616 | 1 | EXTENSION CABLE FUEL PUMP 1,5m | .1 |
| | | | | |
| | | | | |
| | | | | |
| | | | | |
| | | | | |
| | | | | |
| | | | | |
| | | | | |
| | | | | |
| | | | | |
| | | | | |



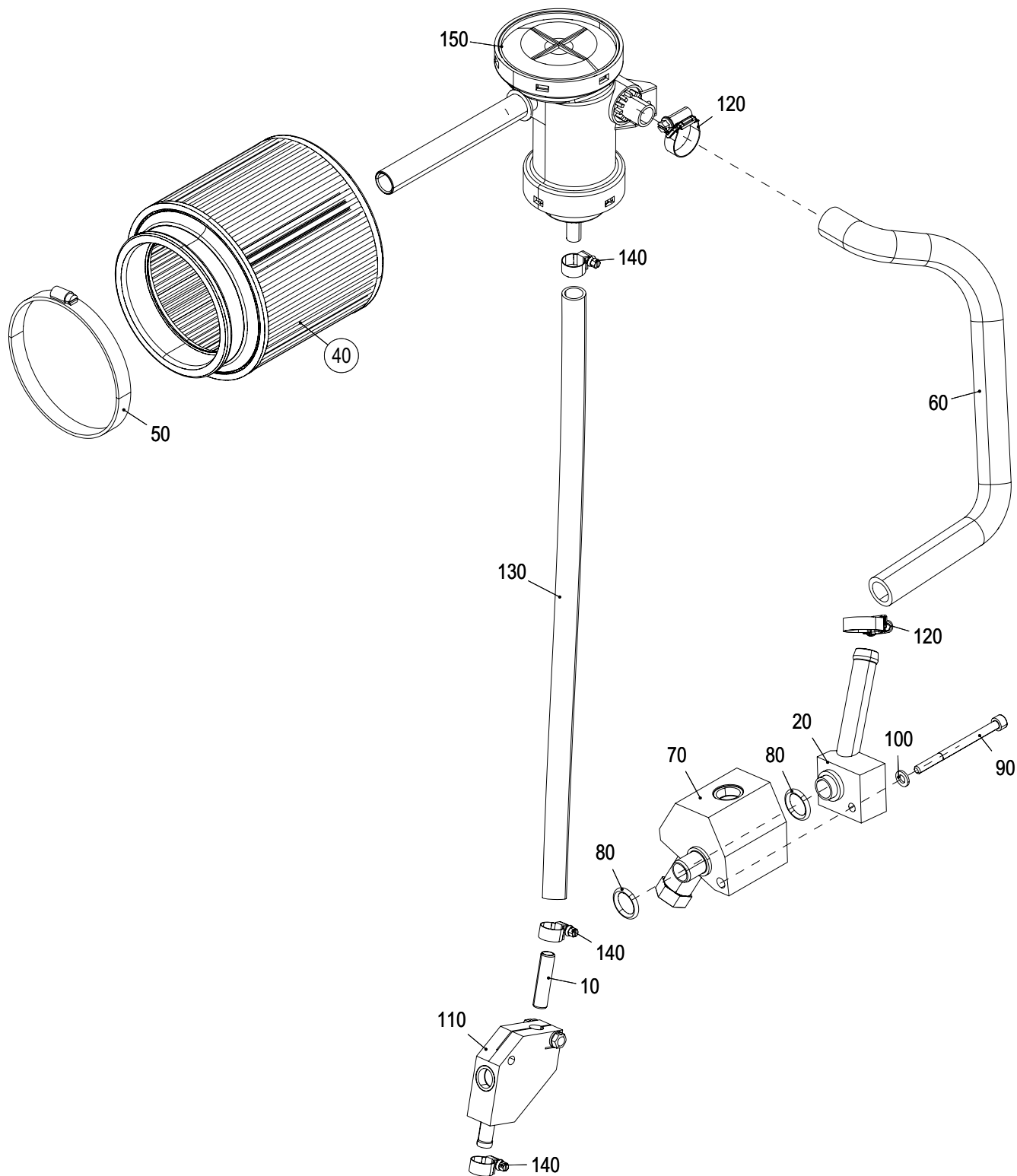


TA 0304

SE126E32
MARINE

AIRFILTER, INVERSIONVALVE SOLAS

03046284-1



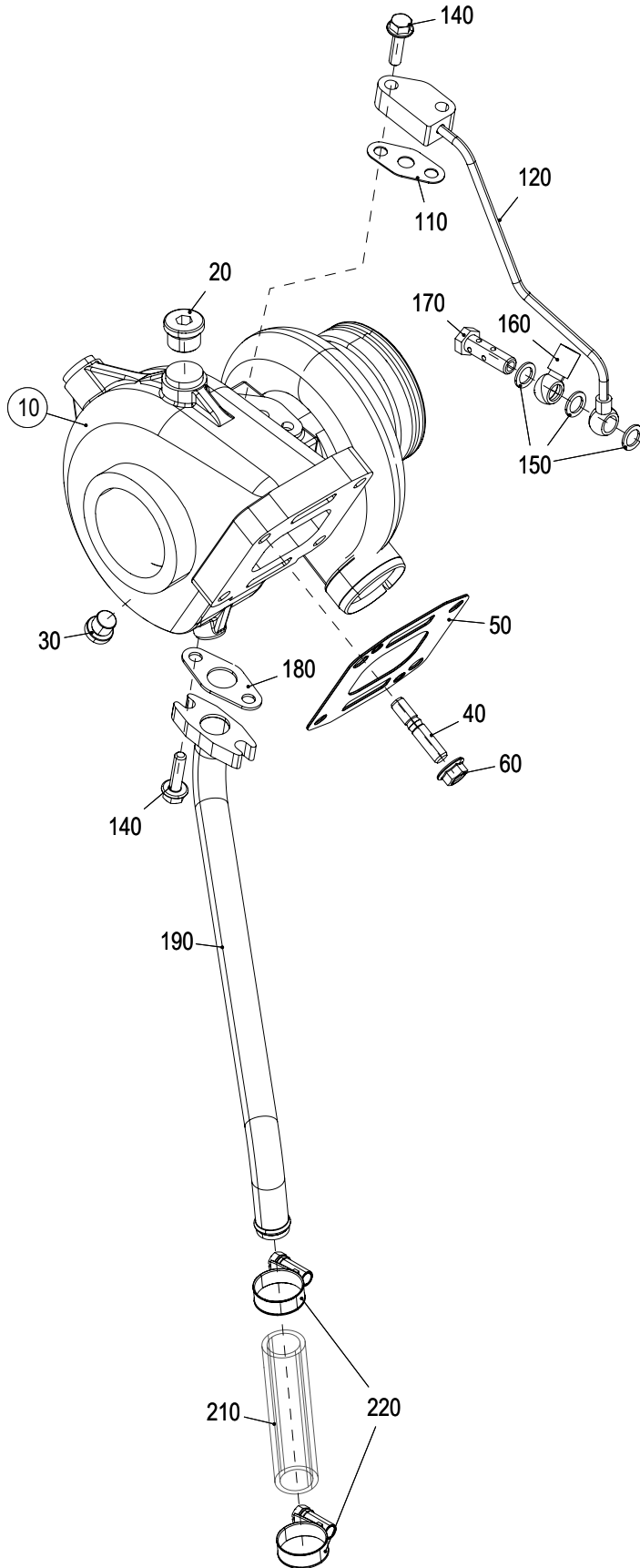


TA 0305

**SE126E32
MARINE**

TURBO

03056284-1



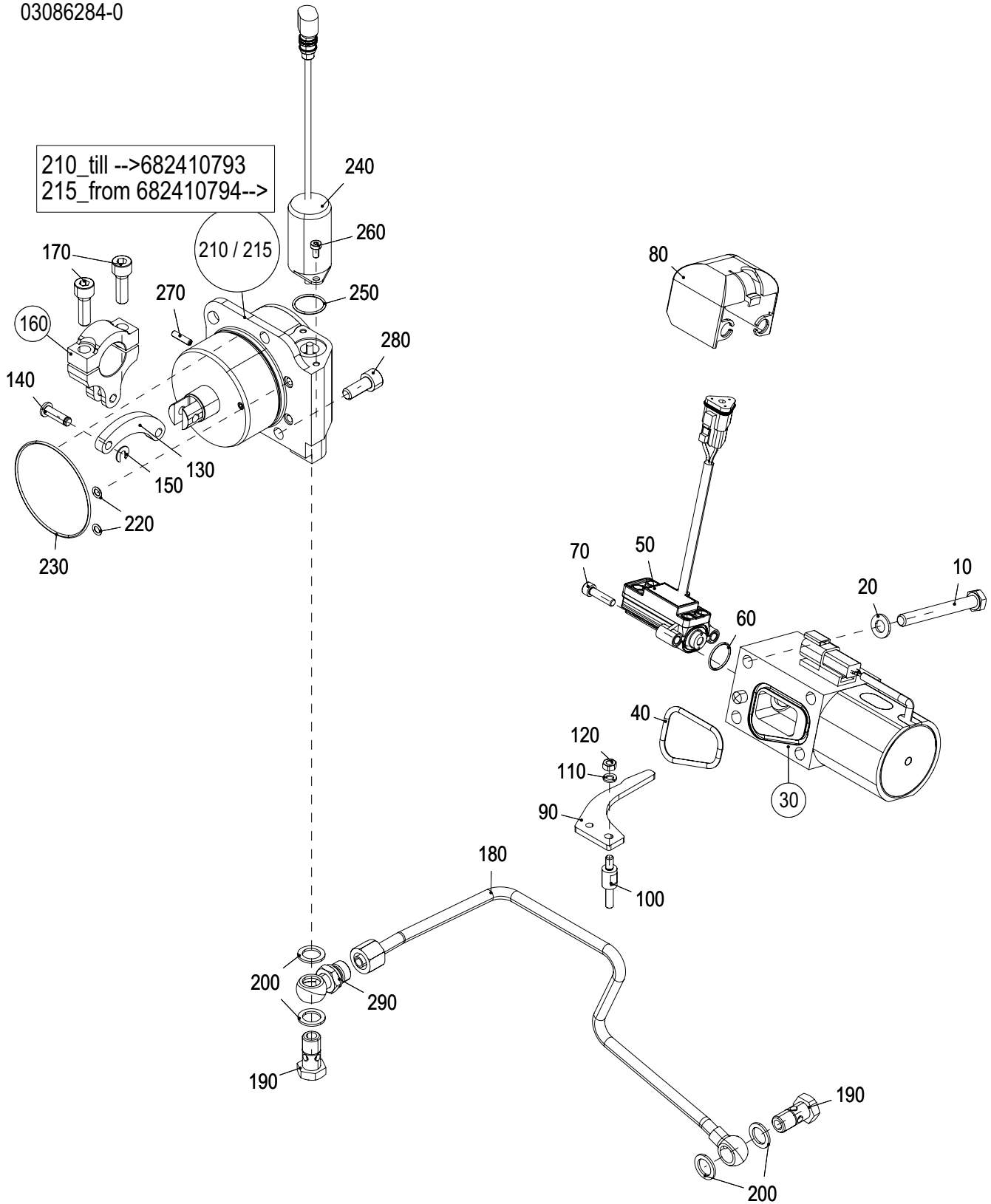


TA 0308

SE126E32
MARINE

CONTR. SOLENOID, INJEC. TIMING DEVICE

03086284-0



| | |
|--|----------------------------|
| CONTR. SOLENOID, INJEC. TIMING DEVICE | SE126E32 MARINE |
|--|----------------------------|

03086284-0

| Pos. | Part.-No. | Qty | Designation | Step |
|------|-----------|-----|--|------|
| 10 | 9000446-1 | 4 | HEX.HD.BOLT ISO 4014-M8x70-A4-70 | .1 |
| 20 | 3930103-0 | 4 | WASHER ISO 7089-8-A4-200HV | .1 |
| 30 | Z002153-0 | 1 | CONTROL SOLENOID | .1 |
| 40 | 2179707-0 | 1 | O-RING 43x3.5 | ..2 |
| 50 | Z002160-0 | 1 | SENSOR, CONTROL RACK POSITION | ..2 |
| 60 | 2179708-0 | 1 | O-RING 18x1.5 | ..2 |
| 70 | 9000116-1 | 2 | HEX.SOCK. SCR. ISO 4762-M5x20-A2-70 | ..2 |
| 80 | 2179766-0 | 1 | PROTECTING CAP, RACK-SENSOR | ..2 |
| 90 | 2176745-2 | 1 | CONTROL-LEVER | .1 |
| 100 | 2176746-1 | 2 | DISTANCE-SHAFT | .1 |
| 110 | 3931062-0 | 4 | SP.LO.WASH. DIN 127-B5-FST-FLZNNC-480H | .1 |
| 120 | 3871222-0 | 4 | HEX.NUT ISO 4032-M5-8-FLZNNC-720H-L | .1 |
| 130 | 2205591-0 | 1 | CONNECTING ROD | .1 |
| 140 | 2205593-0 | 2 | PARALLEL PIN | .1 |
| 150 | 9000483-0 | 2 | RETAINING WASHER F.SHAFT DIN 6799-5 | .1 |
| 160 | 500967 | 1 | TORSION ARM ASSY. | .1 |
| 170 | 9000737-0 | 2 | HEX.SOCK. SCR. ISO 4762-M8x25-10.9 | ..2 |
| 180 | 701425 | 1 | OIL SUPPLY PIPE ASSY. ITD | .1 |
| 190 | 11868 | 2 | HO.SCR.M12x1.5-DIN7643-8-3-FLZNNC-720H-L | .1 |
| 200 | 9001170-0 | 4 | BOUNDED SEAL 12.7x19x1.5 | .1 |
| 210 | Z026135-0 | 1 | INJEC. TIMING DEVICE ASSY. (RAL9006) | .1 |
| 215 | 500950 | 1 | INJEC. TIMING DEVICE ASSY. (RAL9006) | .1 |
| 220 | 2179365-0 | 2 | O-RING 5x1.5-NBR70-ISO3601-1A | ..2 |
| 230 | 2179369-0 | 1 | O-RING 66.4x1.78-NBR70-ISO3601-1A | ..2 |
| 240 | 2181491-0 | 1 | MAGNETIC VALVE - ITD | ..2 |
| 250 | 2179391-0 | 1 | O-RING 19x1.5-NBR70-ISO3601-1A | ..2 |
| 260 | 900632 | 2 | HEX.SOCK. SCR. DIN 7984-M4x8-A2-70 | ..2 |
| 270 | 9000499-0 | 2 | SET SCREW ISO 4029-M4x16-A4-70 | .1 |
| 280 | 9000063-0 | 3 | HEX.SOCK. SCR. ISO 4762-M8x20-A4-70 | .1 |
| 290 | 2180866-0 | 1 | BANJO | .1 |



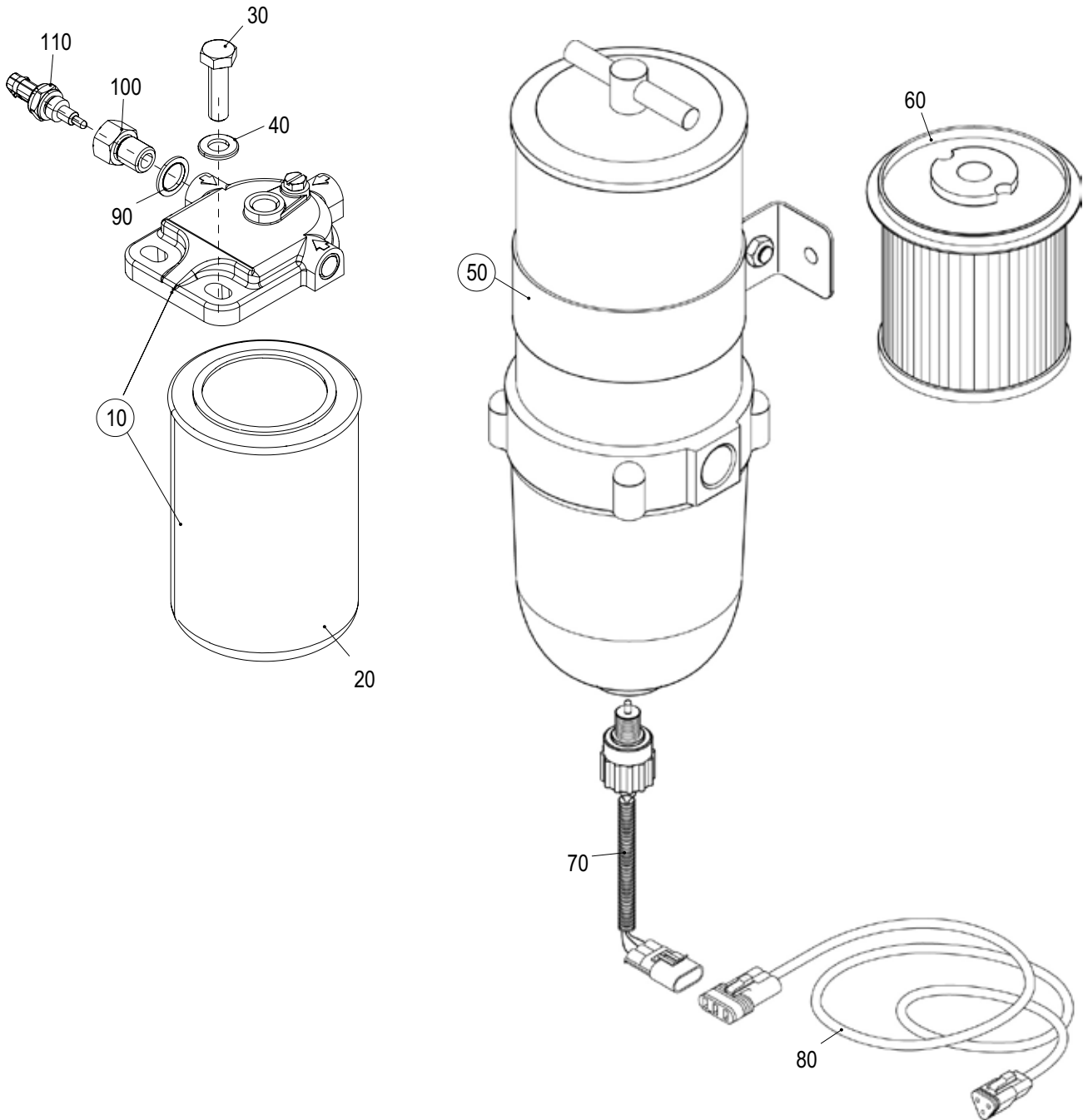


TA 0309

SE126E32
MARINE

FUEL FILTER

03096284-1



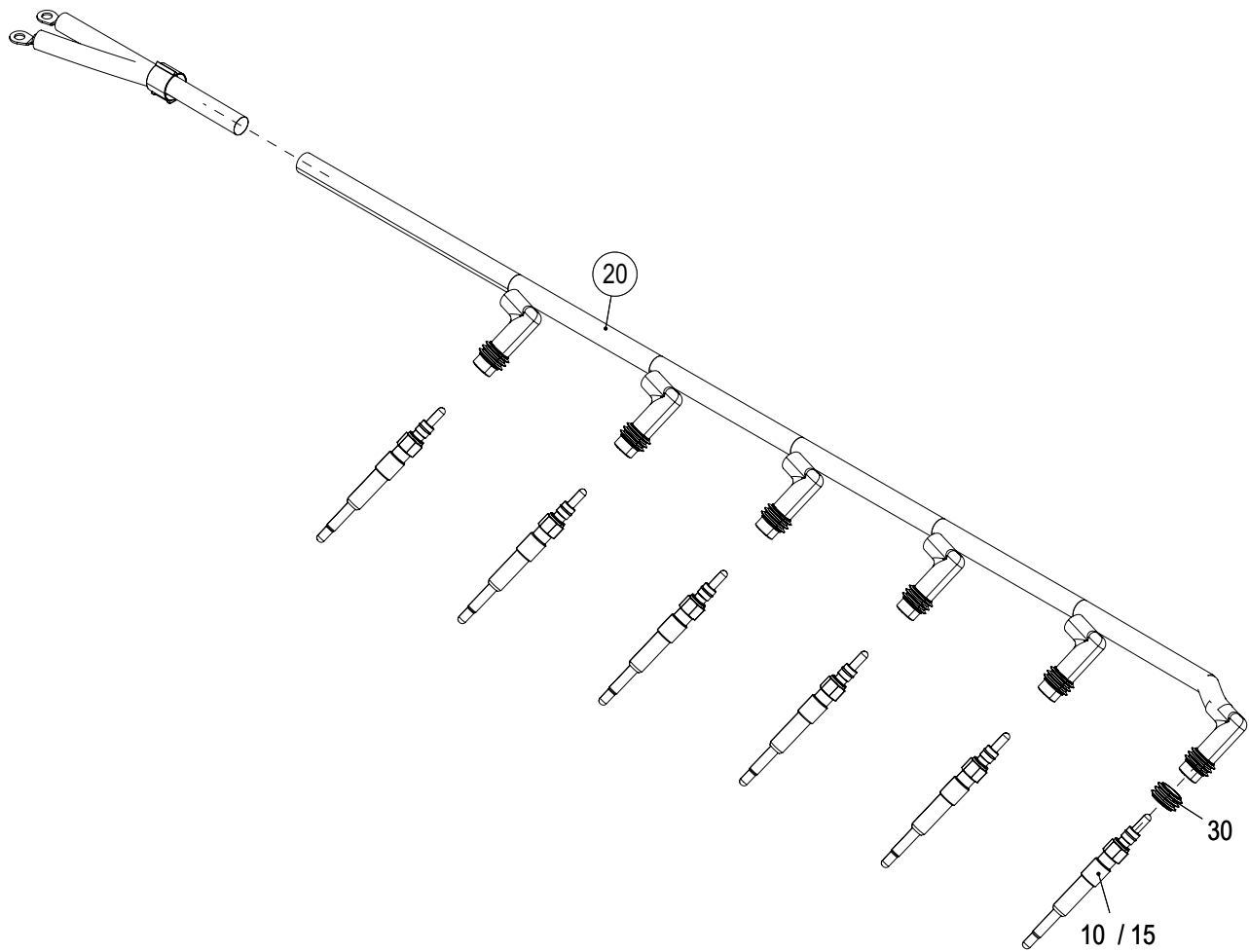


TA 0311

SE126E32
MARINE

GLOW PLUG

03116084-0



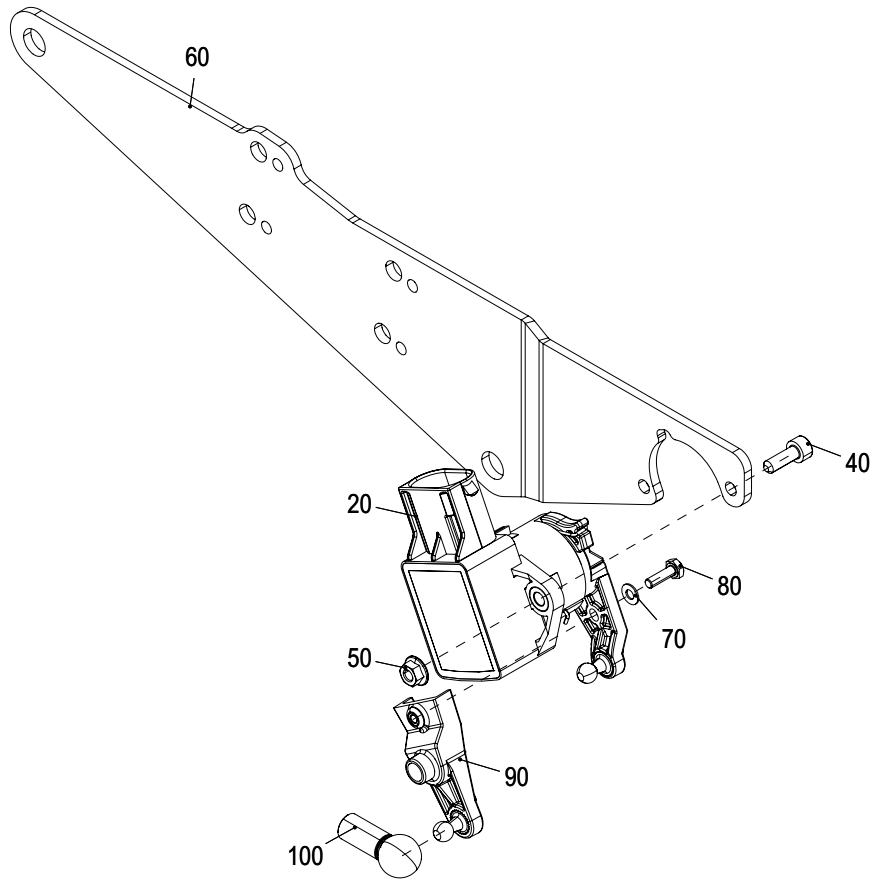


TA 0312

SE126E32
MARINE

POTENTIOMETER ACCELERATOR

03126284-1



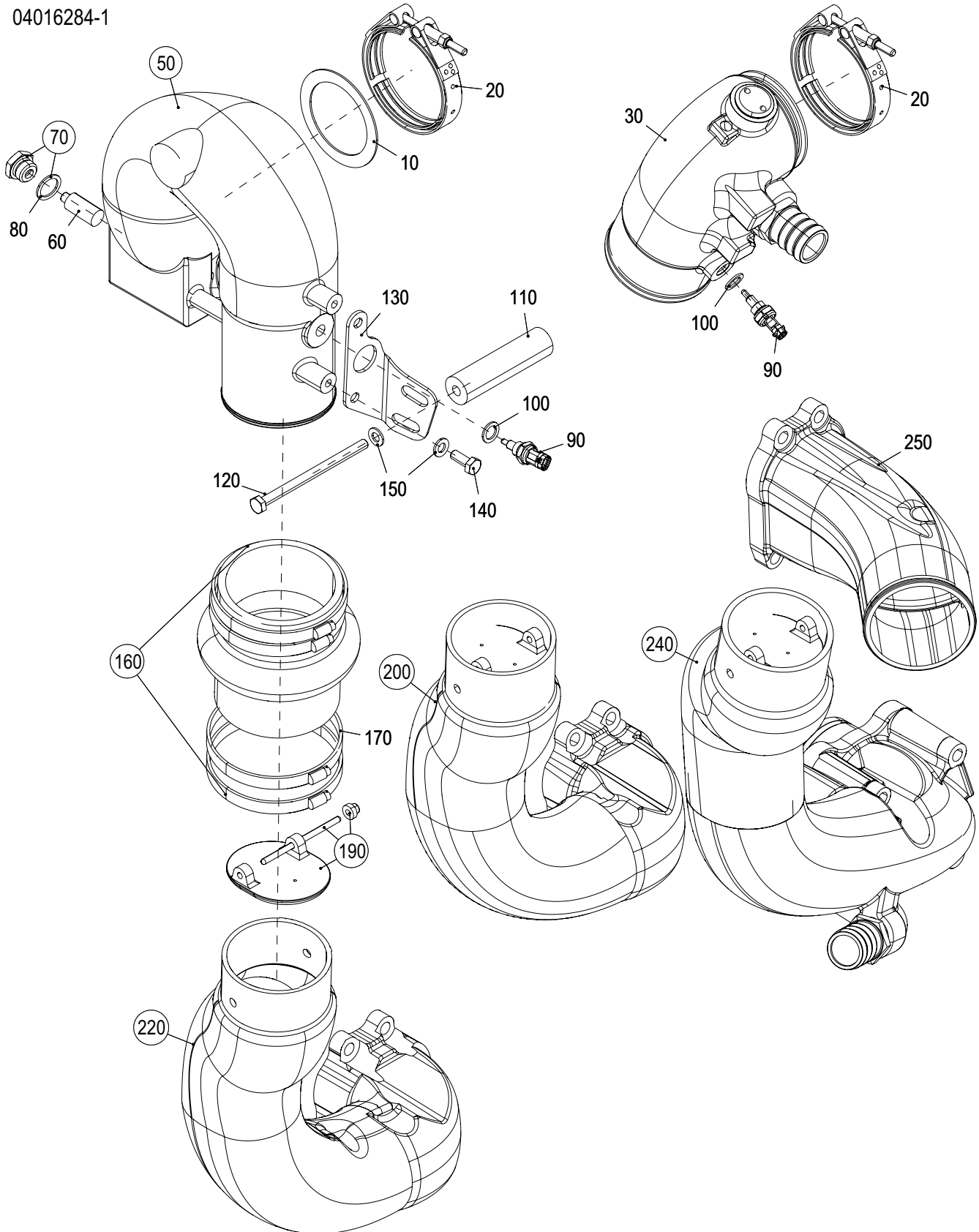


TA 0401

SE126E32
MARINE

HIGH RISER, EXHAUSTPIPE

04016284-1



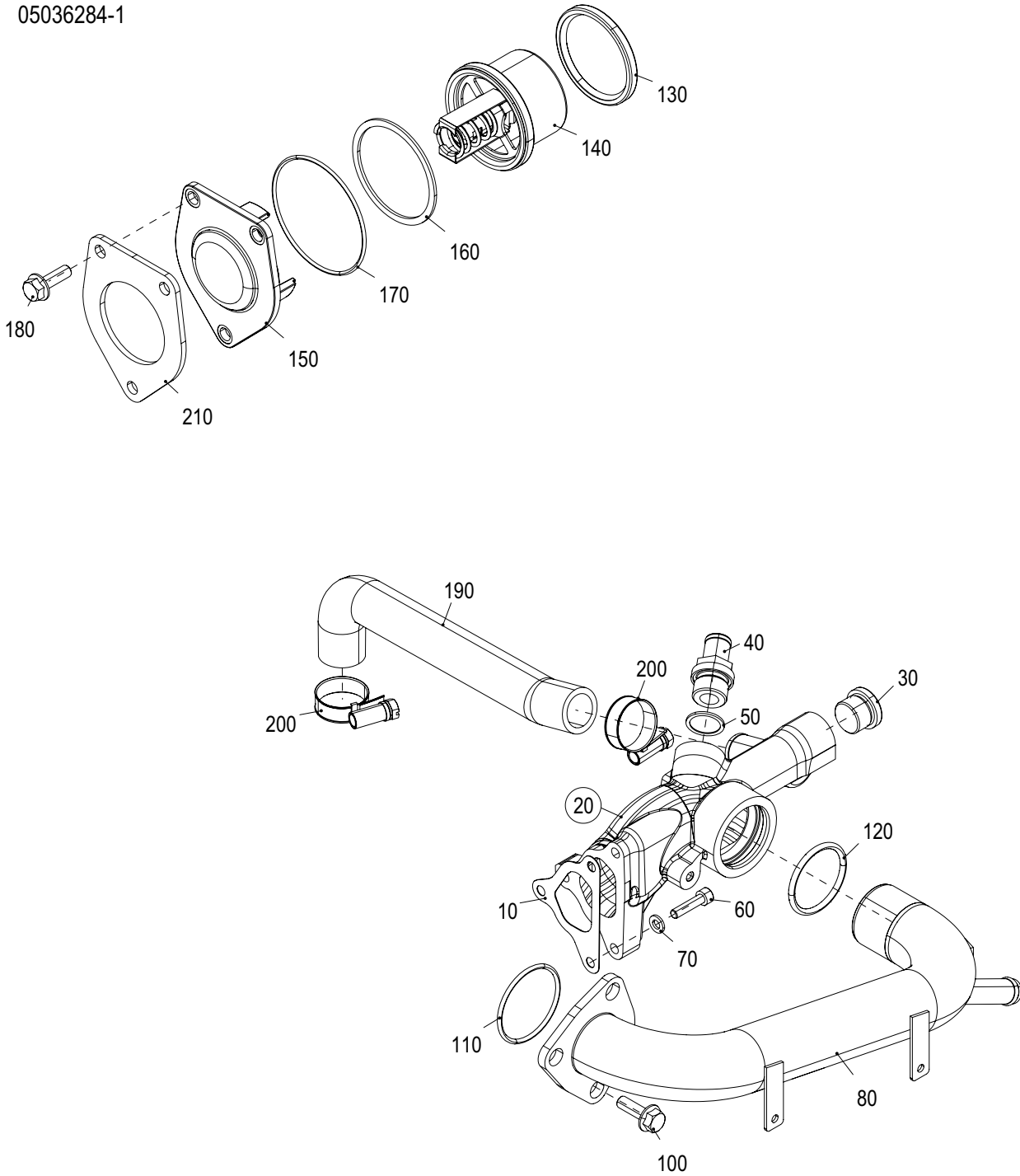


TA 0503

**SE126E32
MARINE**

WATERPIPE, THERMOSTAT

05036284-1



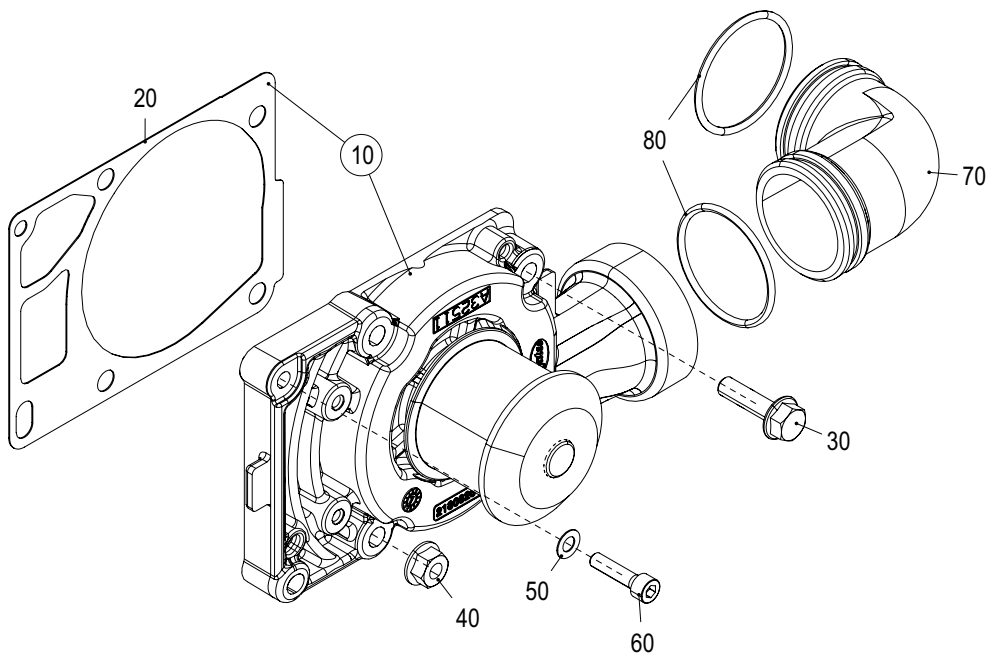


TA 0504

SE126E32
MARINE

WATERPUMP

05046284-0



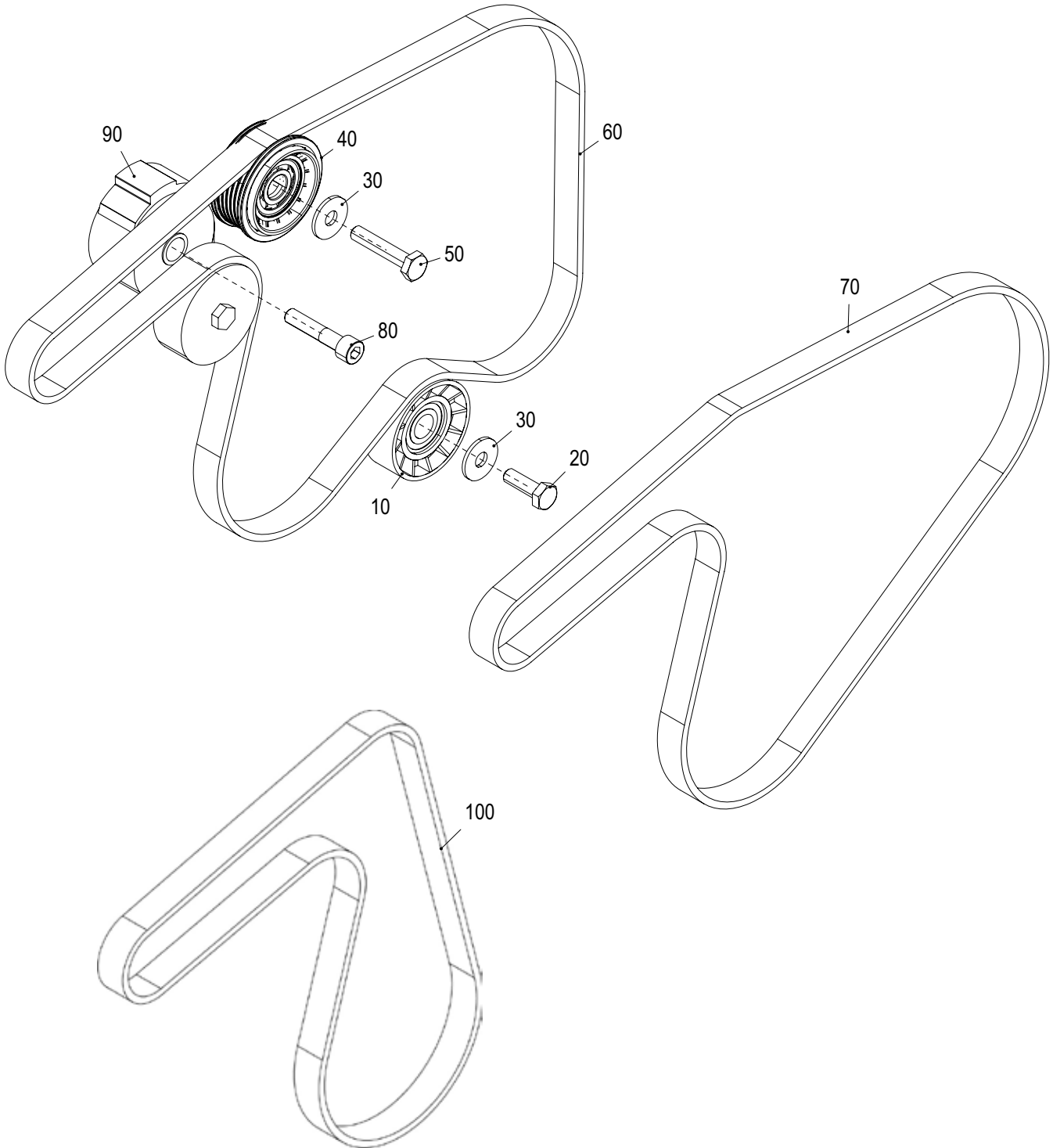


TA 0505

SE126E32
MARINE

DRIVE BELTS, PULLEYS, TENSIONER

05056284-0



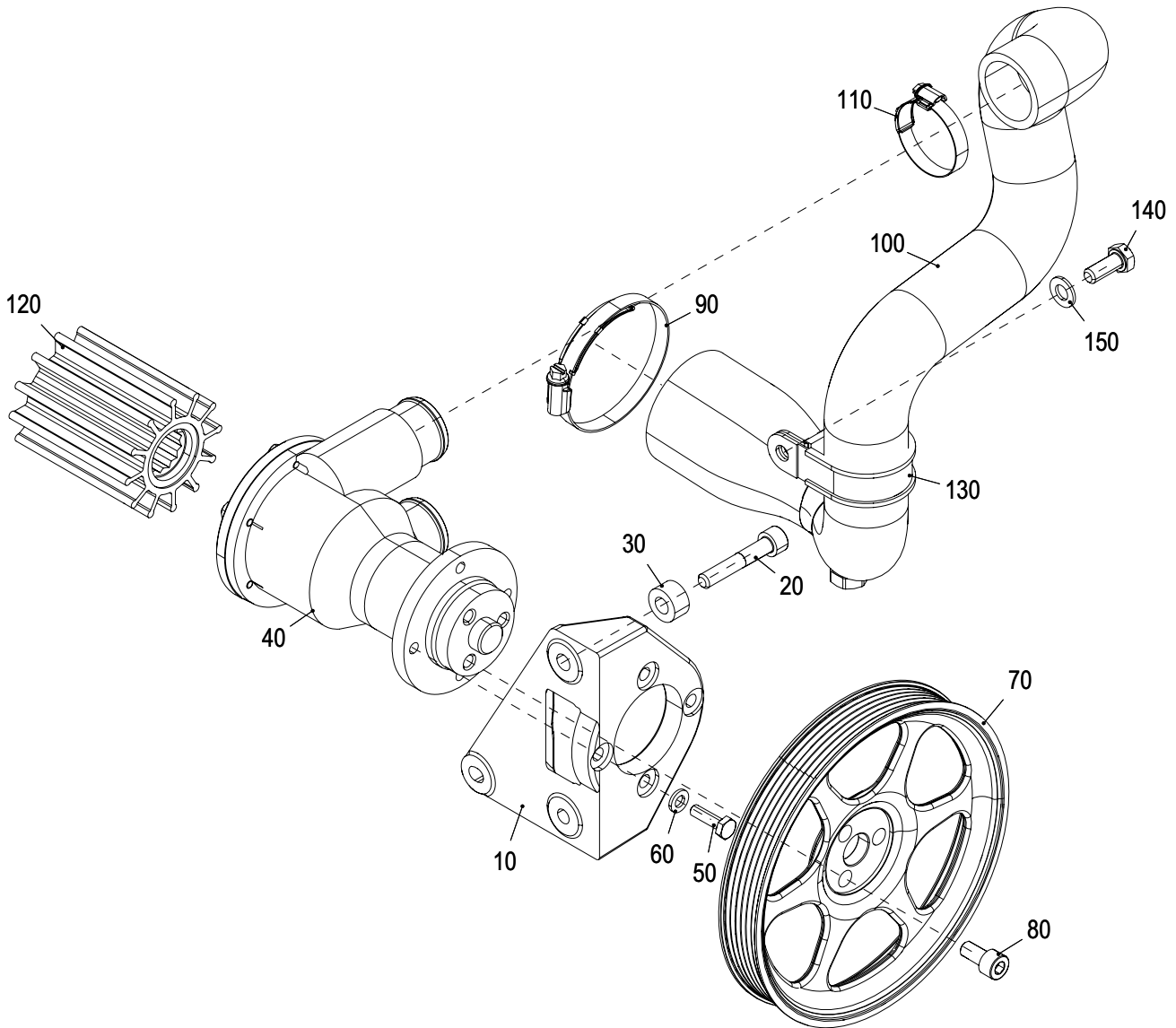


TA 0510

SE126E32
MARINE

RAW WATER PUMP

05106284-0



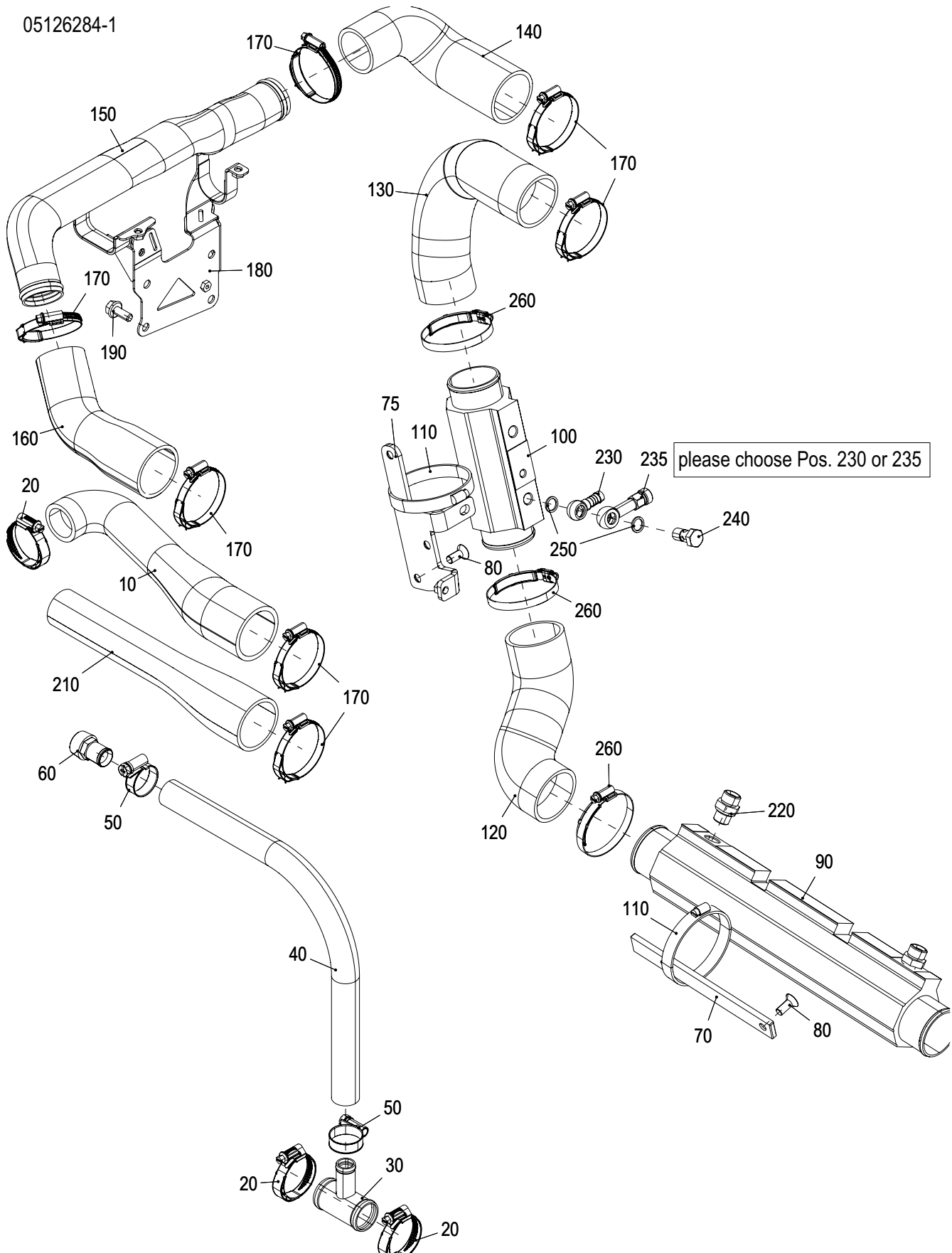


TA 0512

SE126E32 MARINE

RAW WATER PIPES

05126284-1



RAW WATER PIPES
**SE126E32
MARINE**

05126284-1

| Pos. | Part.-No. | Qty | Designation | Step |
|------|-----------|-----|--|------|
| 10 | Z026170-0 | 1 | MOULDED HOSE, HEAT EXCHA. - ELBOW EXH. | .1 |
| 20 | 2181430-0 | 3 | HOSE CLAMP WITH SPRING 30-45/9 | .1 |
| 30 | 2040095-2 | 1 | PIPE ENGINE-COOLANT 32/19 | .1 |
| 40 | 2179330-1 | 1 | HOSE RAW WATER 20x2000 | .1 |
| 50 | 2177464-0 | 2 | CLAMP 20-32/12 | .1 |
| 60 | 9000468-1 | 1 | SCREW IN SOCKET | .1 |
| 75 | 2181195-0 | 1 | BRACKET, FUEL COOLER | .1 |
| 80 | 9000456-0 | 5 | COU.SCR.DIN7991-M8x20-10.9-FLZNNC-720H-L | .1 |
| 90 | Z026124-0 | 1 | GEAR OIL COOLER (RAL9006) | .1 |
| 100 | Z026125-0 | 1 | FUEL COOLER (RAL9006) | .1 |
| 110 | 2179929-0 | 3 | HOSE CLAMP 60-80/12 | .1 |
| 120 | 2180645-0 | 1 | MOLDED HOSE | .1 |
| 130 | 2180646-0 | 1 | MOLDED HOSE | .1 |
| 140 | 2180995-0 | 1 | MOULDED HOSE | .1 |
| 150 | 2180841-0 | 1 | TUBE AIR COOLER-HEAT EXCHANGER | .1 |
| 160 | 2180994-0 | 1 | MOULDED HOSE | .1 |
| 170 | 2179050-0 | 7 | HOSE CLAMP WITH SPRING 40-60/9 | .1 |
| 180 | 2180923-0 | 1 | BRACKET, RAW WATER PIPE | .1 |
| 190 | 9000305-0 | 3 | BOLT EN1665-M8x20-10.9-FLZNNC-720H-L | .1 |
| 210 | Z026169-0 | 1 | MOULDED HOSE, HEAT EXCHA. - ELBOW EXH. | .1 |
| 220 | 9000832-0 | 2 | PIPE UNION ADAP. DIN 3901-L12A-M-ST | .1 |
| 230 | 9001148-0 | 1 | BANJO DM12 | .1 |
| 240 | 11868 | 1 | HO.SCR.M12x1.5-DIN7643-8-3-FLZNNC-720H-L | .1 |
| 250 | 9001170-0 | 2 | BOUNDED SEAL 12.7x19x1.5 | .1 |
| 260 | 2179022-0 | 3 | HOSE CLAMP WITH SPRING 50-70/9 | .1 |



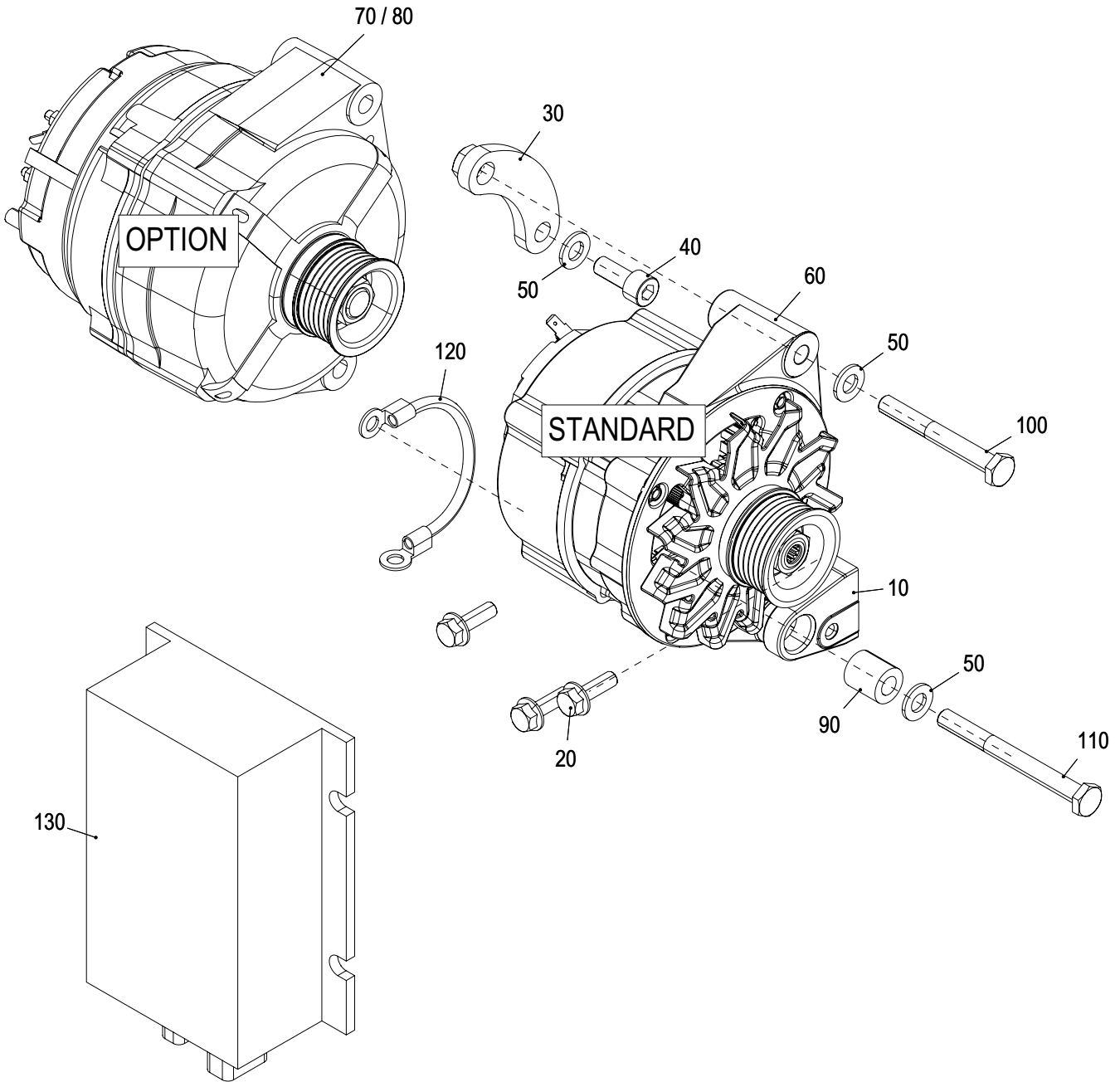


TA 0601

SE126E32
MARINE

ALTERNATOR

06016284-0



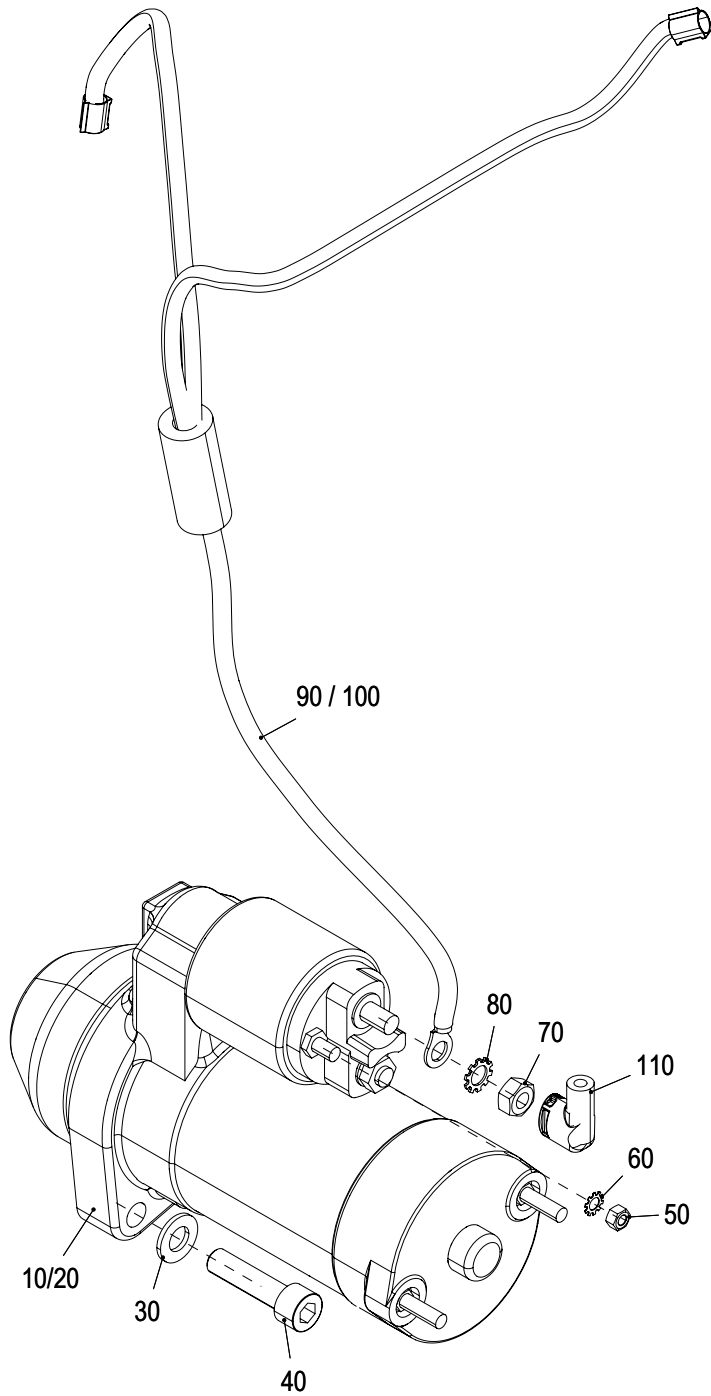


TA 0603

SE126E32
MARINE

STARTER

06036284-0



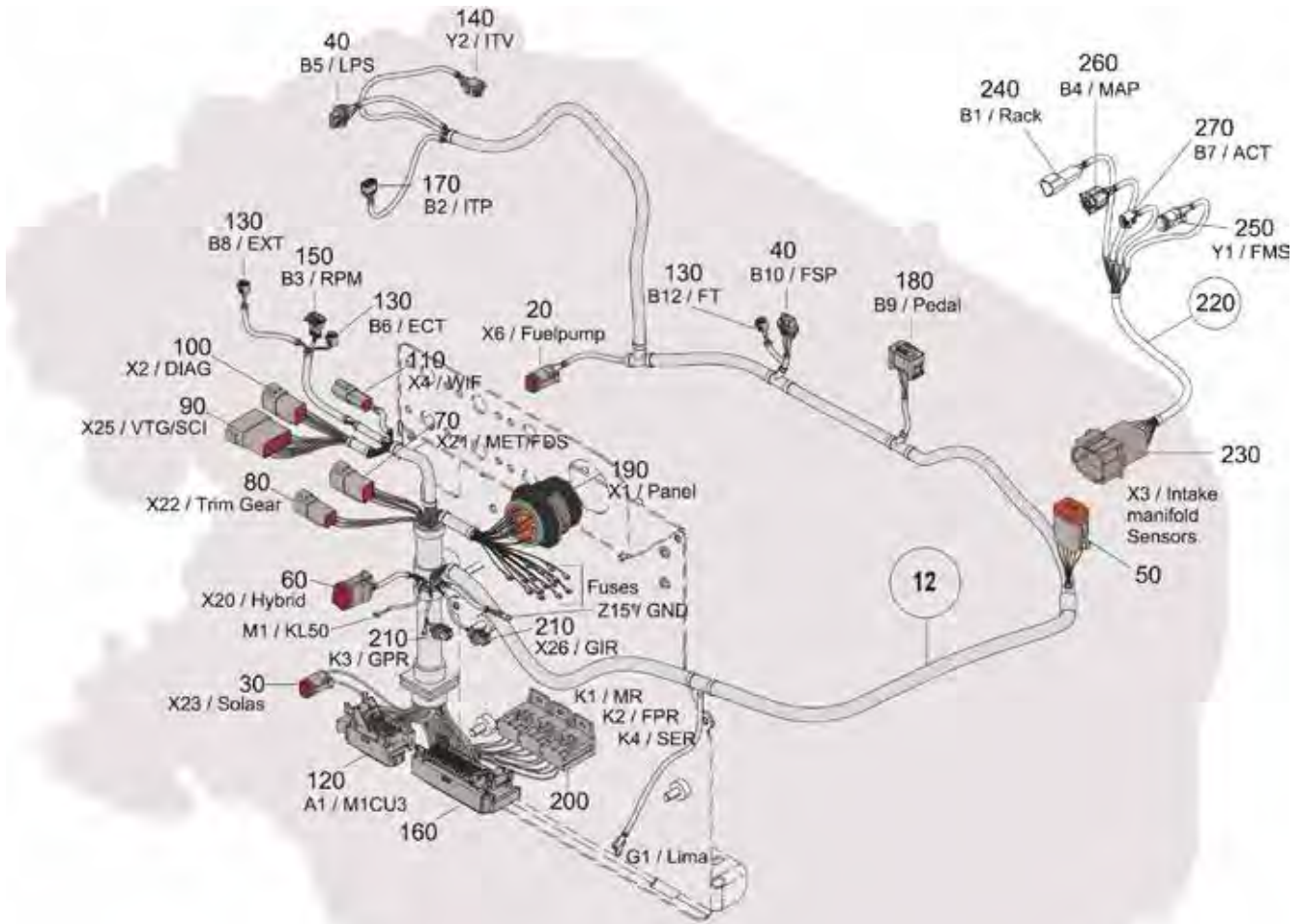


TA 0605

SE126E32 MARINE

ENGINE HARNESS

06056284-1



| | |
|-----------------------|----------------------------|
| ENGINE HARNESS | SE126E32 MARINE |
|-----------------------|----------------------------|

06056284-1

| Pos. | Part.-No. | Qty | Designation | Step |
|------|-----------|-----|--|------|
| 12 | 500891 | 1 | ENG.HARN.INCL.BASE PLATE & RUBBER MOUNTS | .1 |
| 20 | Z002417-1 | 1 | PLUG COMPLETE 2-POLE | .2 |
| 30 | Z002417-0 | 1 | PLUG COMPLETE 2-POLE | .2 |
| 40 | Z002203-0 | 2 | PLUG COMPLETE 3-POLE | .2 |
| 50 | Z002204-0 | 1 | PLUG COMPLETE 8-POLE | .2 |
| 60 | Z002649-0 | 1 | PLUG COMPLETE 6-POLE | .2 |
| 70 | Z002415-0 | 1 | PLUG COMPLETE 6-POLE | .2 |
| 80 | Z002205-0 | 1 | PLUG COMPLETE 4-POLE | .2 |
| 90 | Z002206-0 | 1 | PLUG COMPLETE 12-POLE | .2 |
| 100 | Z002211-0 | 1 | PLUG COMPLETE 6-POLE | .2 |
| 110 | Z002416-0 | 1 | PLUG COMPLETE 3-POLE | .2 |
| 120 | Z002207-0 | 1 | PLUG COMPLETE 28-POLE | .2 |
| 130 | Z002208-0 | 3 | PLUG COMPLETE 2-POLE | .2 |
| 140 | Z002645-0 | 1 | PLUG COMPLETE 2-POLE | .2 |
| 150 | Z002412-0 | 1 | PLUG COMPLETE 3-POLE | .2 |
| 160 | Z002209-0 | 1 | PLUG COMPLETE 52-POLE | .2 |
| 170 | Z002643-0 | 1 | PLUG COMPLETE 4-POLE | .2 |
| 180 | Z002414-2 | 1 | PLUG COMPLETE 6-POLE | .2 |
| 190 | Z002410-A | 1 | PLUG COMPLETE 23-POLE | .2 |
| 200 | 9000421-0 | 3 | RELAY SOCKET | .2 |
| 210 | Z002210-0 | 2 | PLUG COMPLETE 2-POLE | .2 |
| 220 | Z026129-0 | 1 | HARNESS ASSY., INTAKE MANIFOLD | .2 |
| 230 | Z002092-0 | 1 | PLUG COMPLETE 8-POLE | .2 |
| 240 | Z002416-0 | 1 | PLUG COMPLETE 3-POLE | .2 |
| 250 | Z002417-0 | 1 | PLUG COMPLETE 2-POLE | .2 |
| 260 | Z002139-0 | 1 | PLUG COMPLETE 3-POLE | .2 |
| 270 | Z002208-0 | 1 | PLUG COMPLETE 2-POLE | .2 |
| | | | | |
| | | | | |
| | | | | |
| | | | | |
| | | | | |



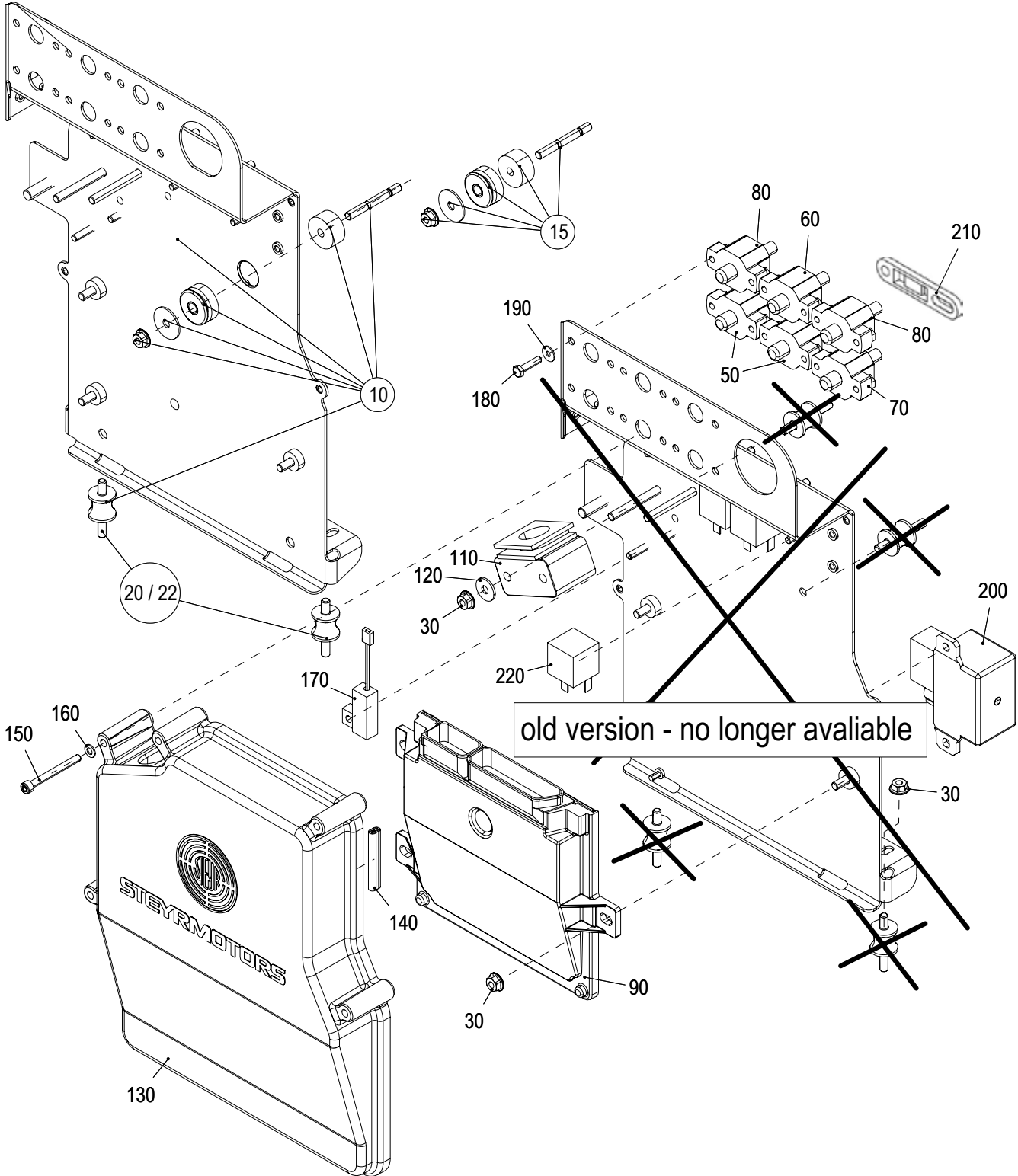


TA 0606

SE126E32
MARINE

SECURITYSYSTEM, FUSES, ECU, E- BOX

06066284-C



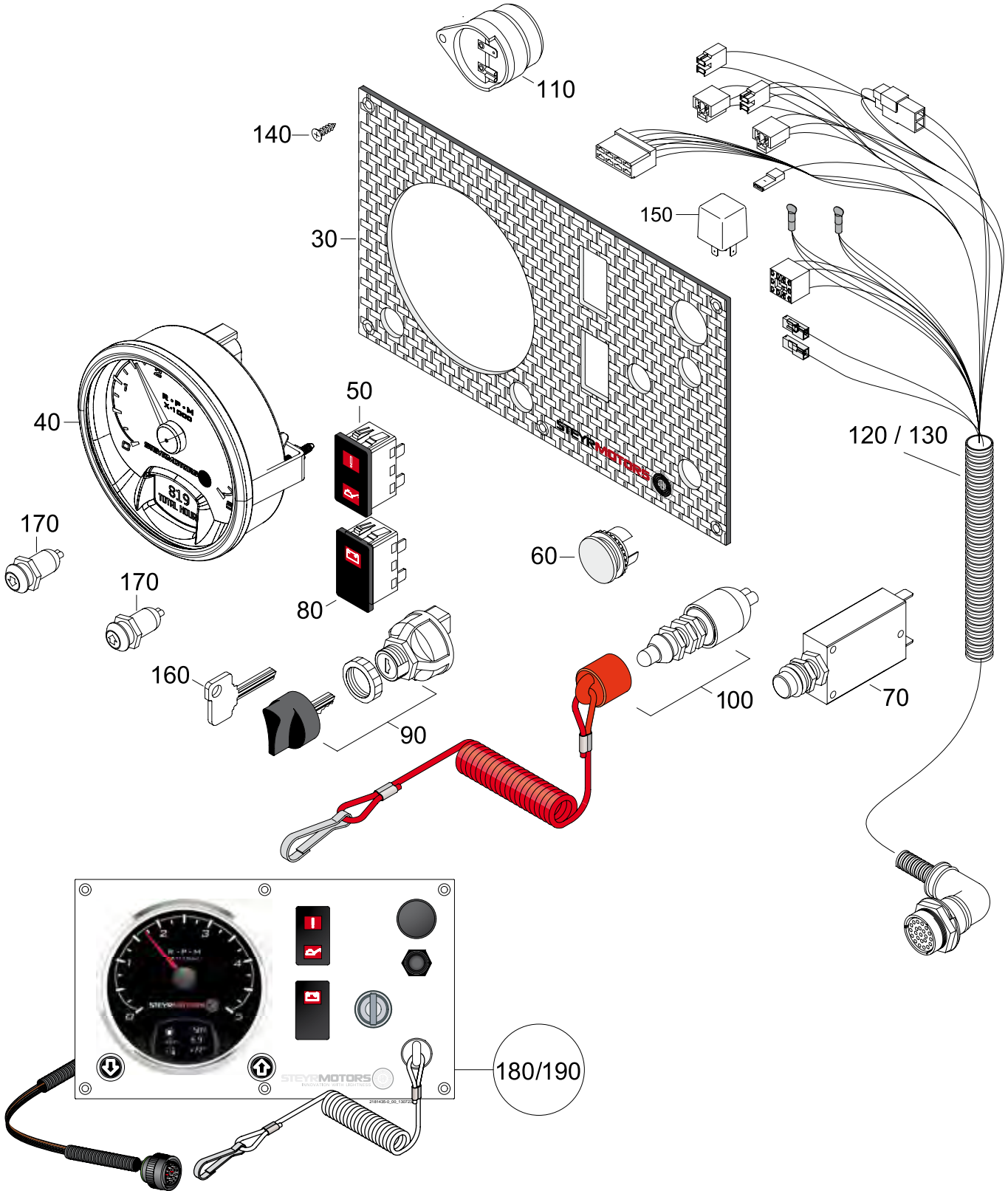


TA 0607

SE126E32 MARINE

INSTRUMENT PANEL (STANDARD FROM 2013/08)

06072184-2



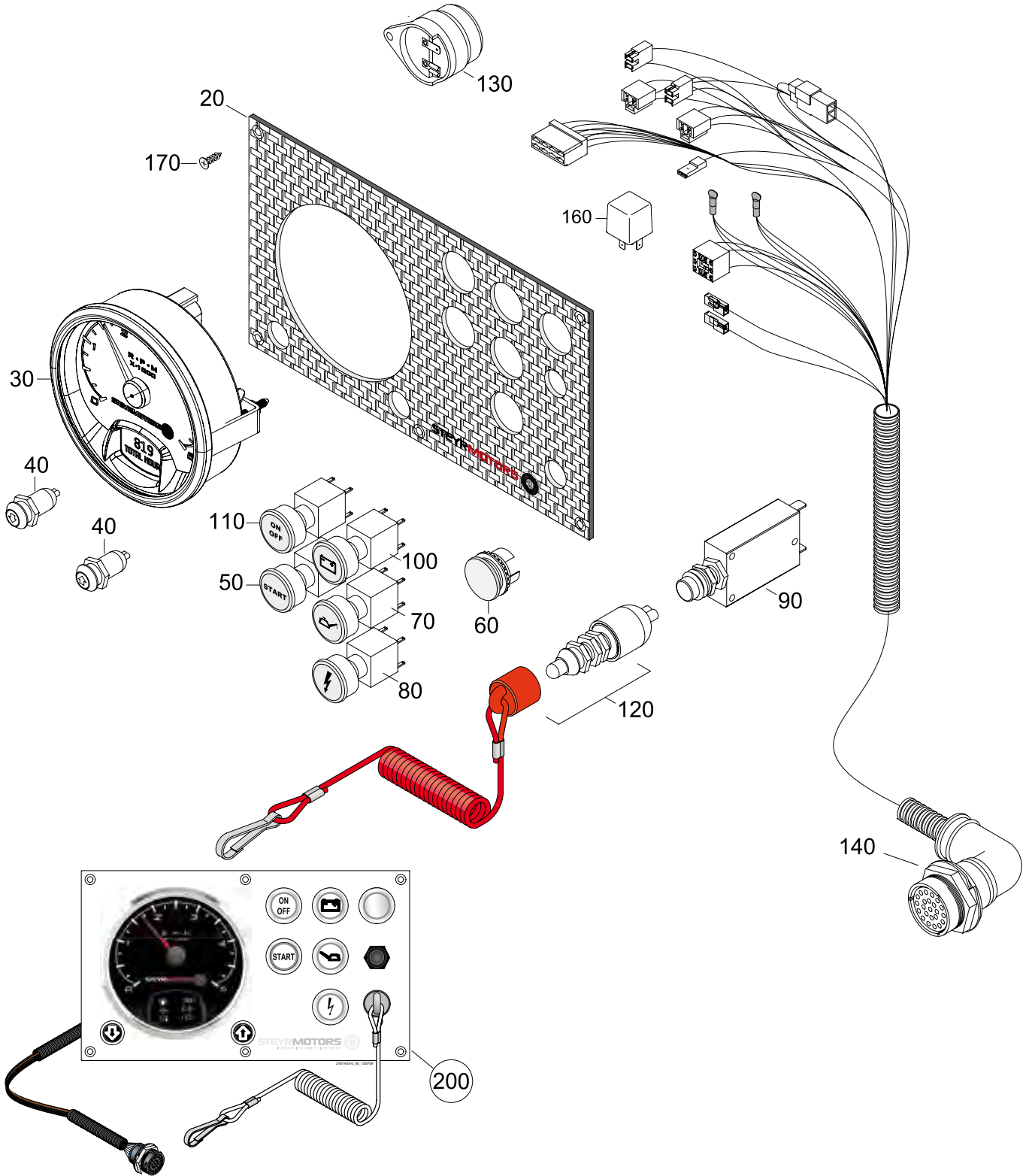


TA 0609

SE126E32 MARINE

INSTRUMENT PANEL SOLAS (FROM 2013/08)

06092184-5





TA 0610

**SE126E32
MARINE**

SCC 2 -DISPLAY (STEYR CONTROL CENTER)

06106184-4



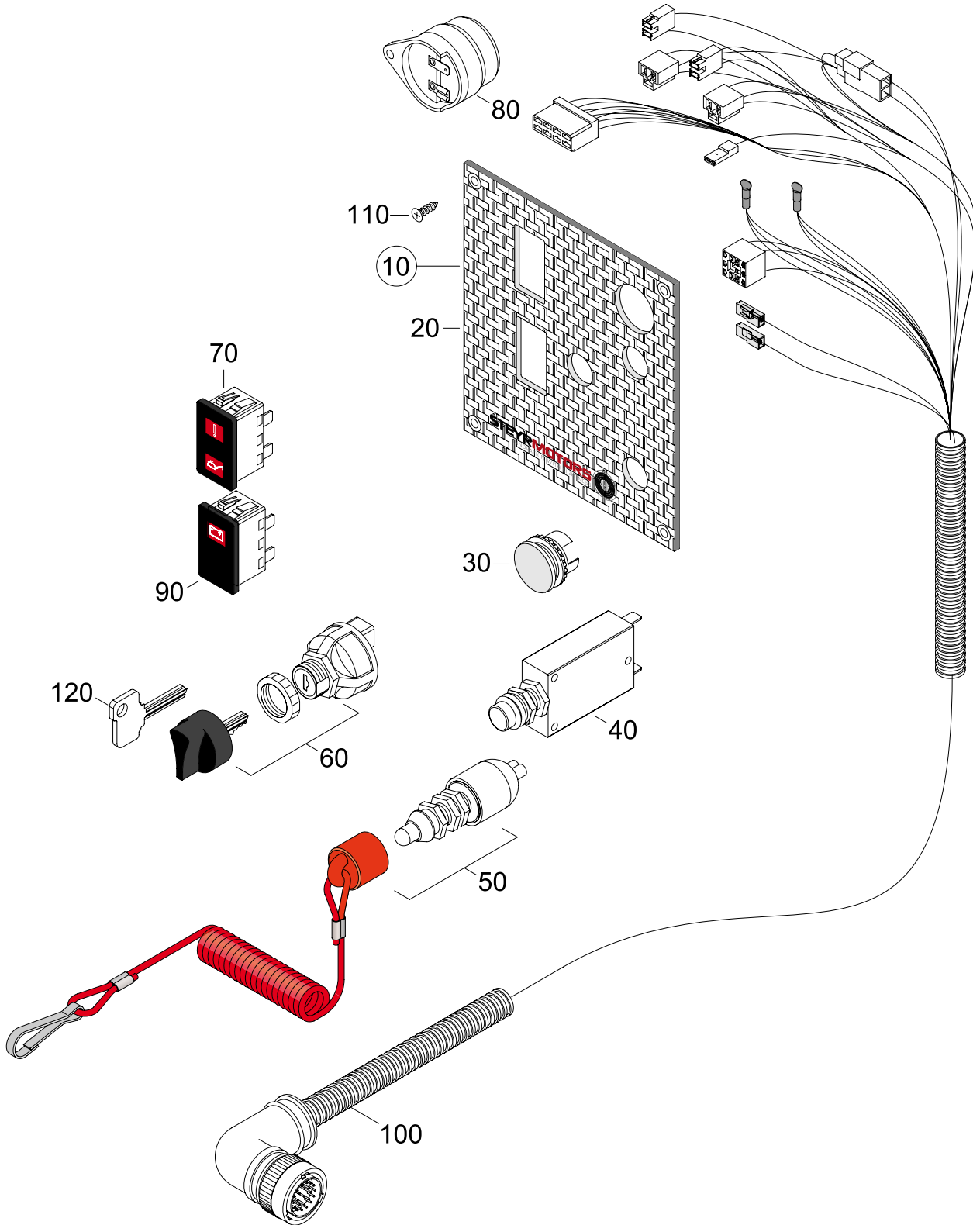


TA 0611

**SE126E32
MARINE**

SCC KEY IGNITION PANEL

06112184-1



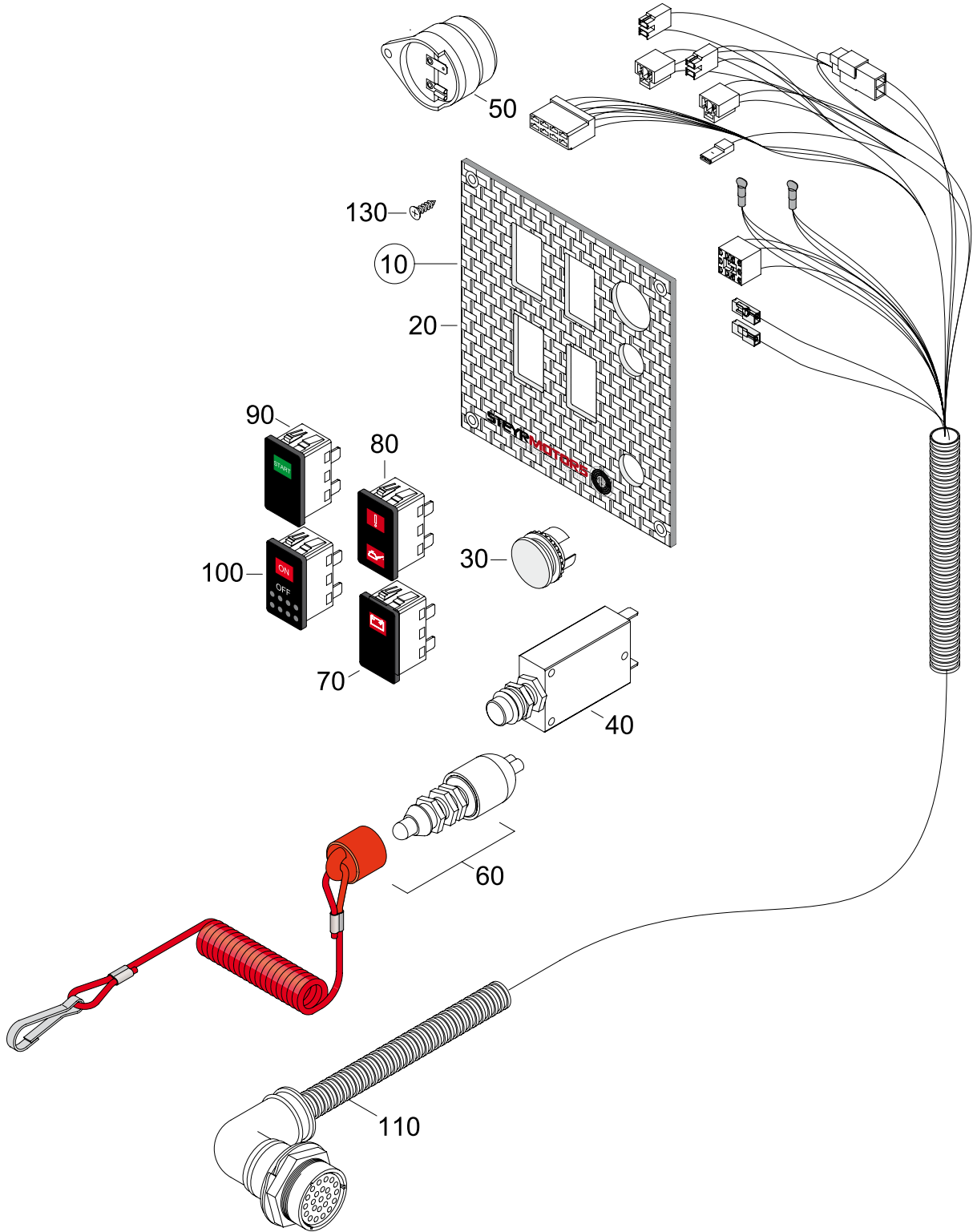


TA 0612

SE126E32
MARINE

SCC PUSH BUTTON IGNITION PANEL

06122184-1





TA 0613

SE126E32
MARINE

EXTENSION CABLE INSTRUMENTS

06136184-0

10 / 20 / 30



40



50



60 / 70 / 80



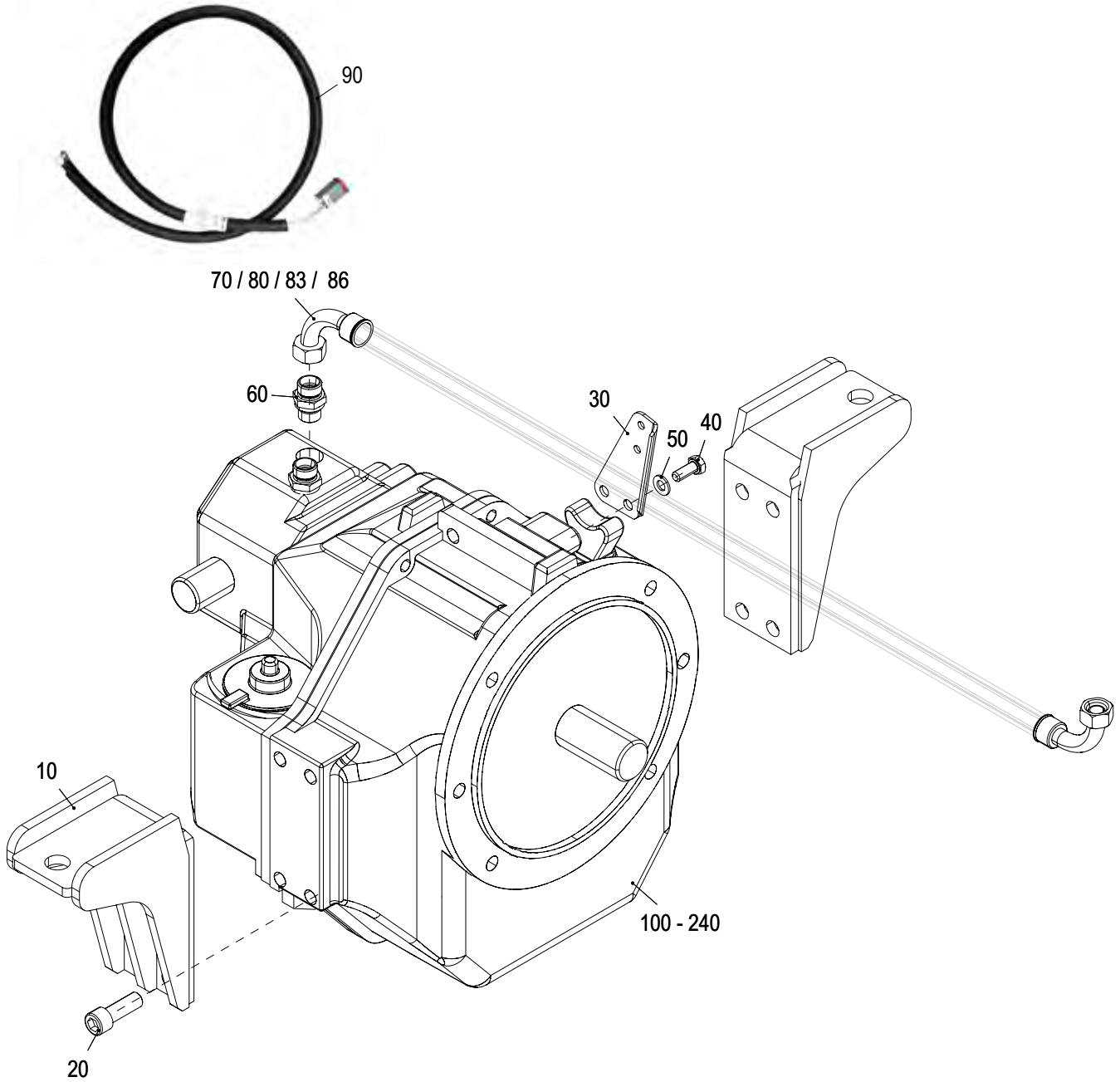


TA 0700

**SE126E32
MARINE**

TRANSMISSION, BRACKETS, PIPES - ZF68

07006284-0



TRANSMISSION, BRACKETS, PIPES - ZF68

**SE126E32
MARINE**

07006284-0

| Pos. | Part.-No. | Qty | Designation | Step |
|------|-----------|-----|--|------|
| 10 | 2178710-V | 2 | BRACKET GEAR-BOX DOWN ANGLE | .1 |
| 20 | 9000081-0 | 8 | HEX.SCR.ISO4762-M12x35-8.8-FLZNNC-720H-L | .1 |
| 30 | 2178711-9 | 1 | BRACKET SHIFT CABLE (RAL9006) | .1 |
| 40 | 3800224-0 | 2 | HEX.HD.SCR. ISO 4017-M8x20-A4-70 | .1 |
| 50 | 3930103-0 | 2 | WASHER ISO 7089-8-A4-200HV | .1 |
| 60 | Z011655-0 | 2 | THREADED SOCKET 3/8NPT-M18x1.5 | .1 |
| 70 | 2181242-0 | 1 | OIL HOSE L=1000mm (55°) | .1 |
| 80 | 2178732-0 | 1 | OIL HOSE L=825mm (55°) | .1 |
| 83 | 2181305-0 | 1 | OIL HOSE L=825mm (180°) | .1 |
| 86 | 2178731-0 | 1 | OIL HOSE L=690mm (55°) | .1 |
| 90 | 2180915-0 | 1 | HARNES GEAR-SWITCH | .1 |
| 100 | 802560 | 1 | GEARBOX ASSY. ZF68A I=1.56 (RAL9006) | .1 |
| 110 | 802561 | 1 | GEARBOX ASSY. ZF68A I=2.04 (RAL9006) | .1 |
| 120 | 802562 | 1 | GEARBOX ASSY. ZF68A I=2.52 (RAL9006) | .1 |
| 130 | 802559 | 1 | GEARBOX ASSY. ZF68A I=1.22 (RAL9006) | .1 |
| 140 | 802563 | 1 | GEARBOX ASSY. ZF68A I=2.70 (RAL9006) | .1 |
| 150 | 802461 | 1 | GEARBOX ASSY. ZF68 I=1.51 (RAL9006) | .1 |
| 160 | 802463 | 1 | GEARBOX ASSY. ZF68 I=2.48 (RAL9006) | .1 |
| 170 | 802465 | 1 | GEARBOX ASSY. ZF68 I=2.78 (RAL9006) | .1 |
| 180 | 802466 | 1 | GEARBOX ASSY. ZF68 I=1.93 (RAL9006) | .1 |
| 190 | 802467 | 1 | GEARBOX ASSY. ZF68 I=1.25 (RAL9006) | .1 |
| 195 | 802470 | 1 | GEARBOX ASSY. ZF68 I=1.75 (RAL9006) | .1 |
| 200 | 802567 | 1 | GEARBOX ASSY. ZF68IV I=2.00 (RAL9006) | .1 |
| 210 | 802568 | 1 | GEARBOX ASSY. ZF68IV I=2.48 (RAL9006) | .1 |
| 220 | 802565 | 1 | GEARBOX ASSY. ZF68IV I=1.29 (RAL9006) | .1 |
| 230 | 802566 | 1 | GEARBOX ASSY. ZF68IV I=1.56 (RAL9006) | .1 |
| 240 | 2179500-9 | 1 | GEARBOX ASSY. ZF63C I=1 (RAL9006) | .1 |
| | | | | |
| | | | | |
| | | | | |



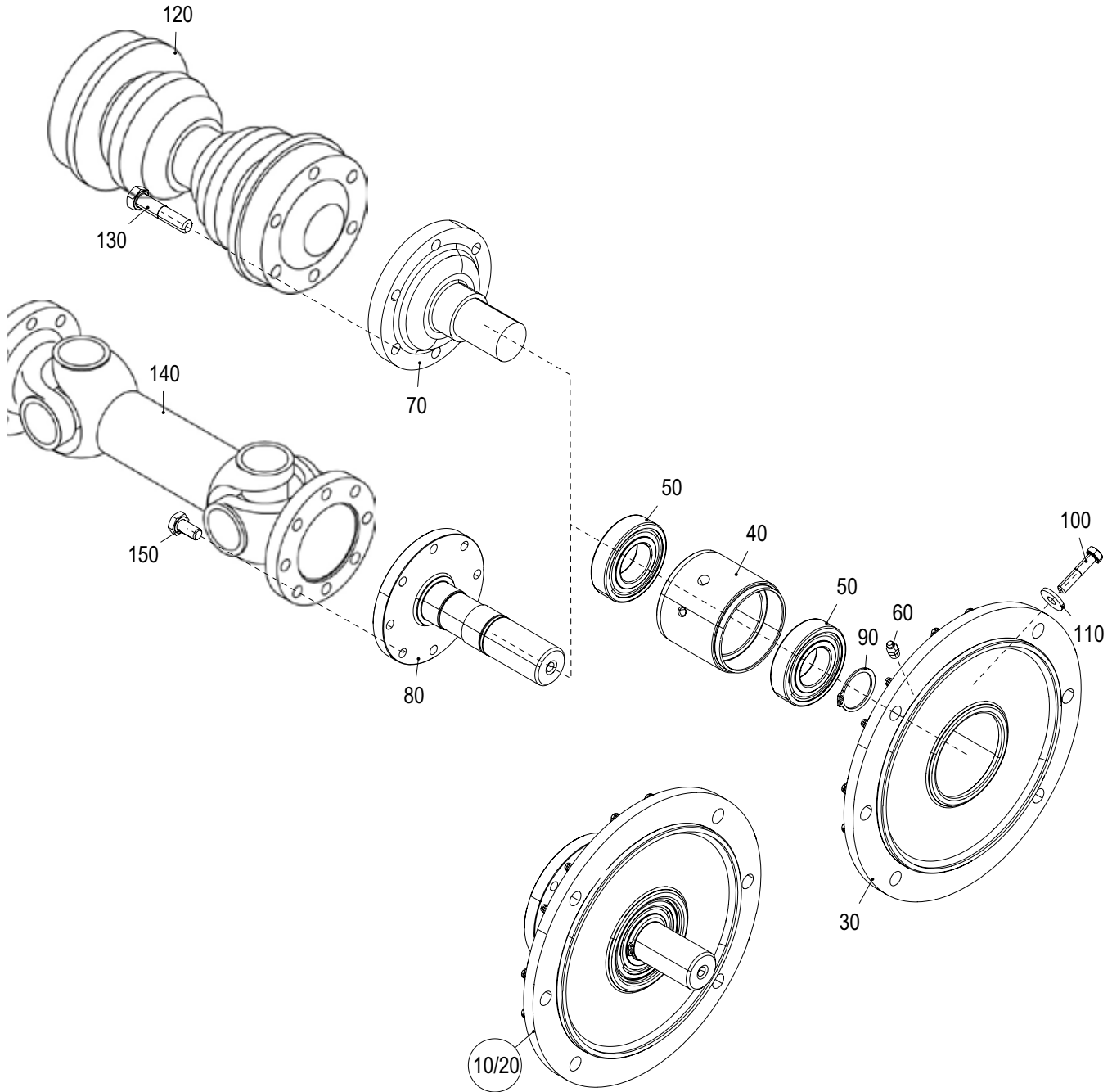


TA 0701

SE126E32
MARINE

TRANSMISSION SHAFT, PTO SHAFT (ALU)

07016184-0



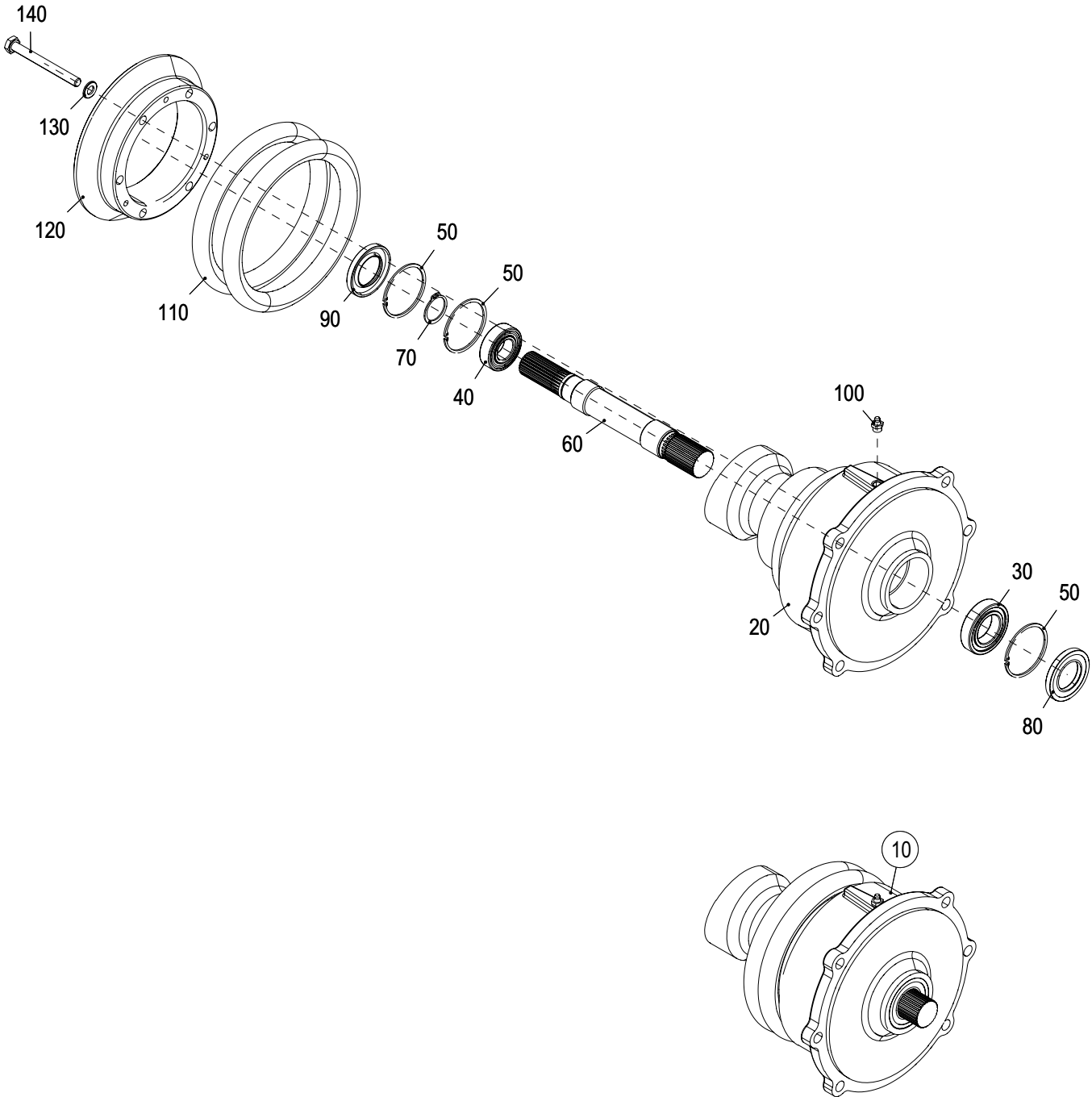


TA 0720

SE126E32
MARINE

DRIVE ADAPTOR VOLVO STERNDRIVE

07206084-0



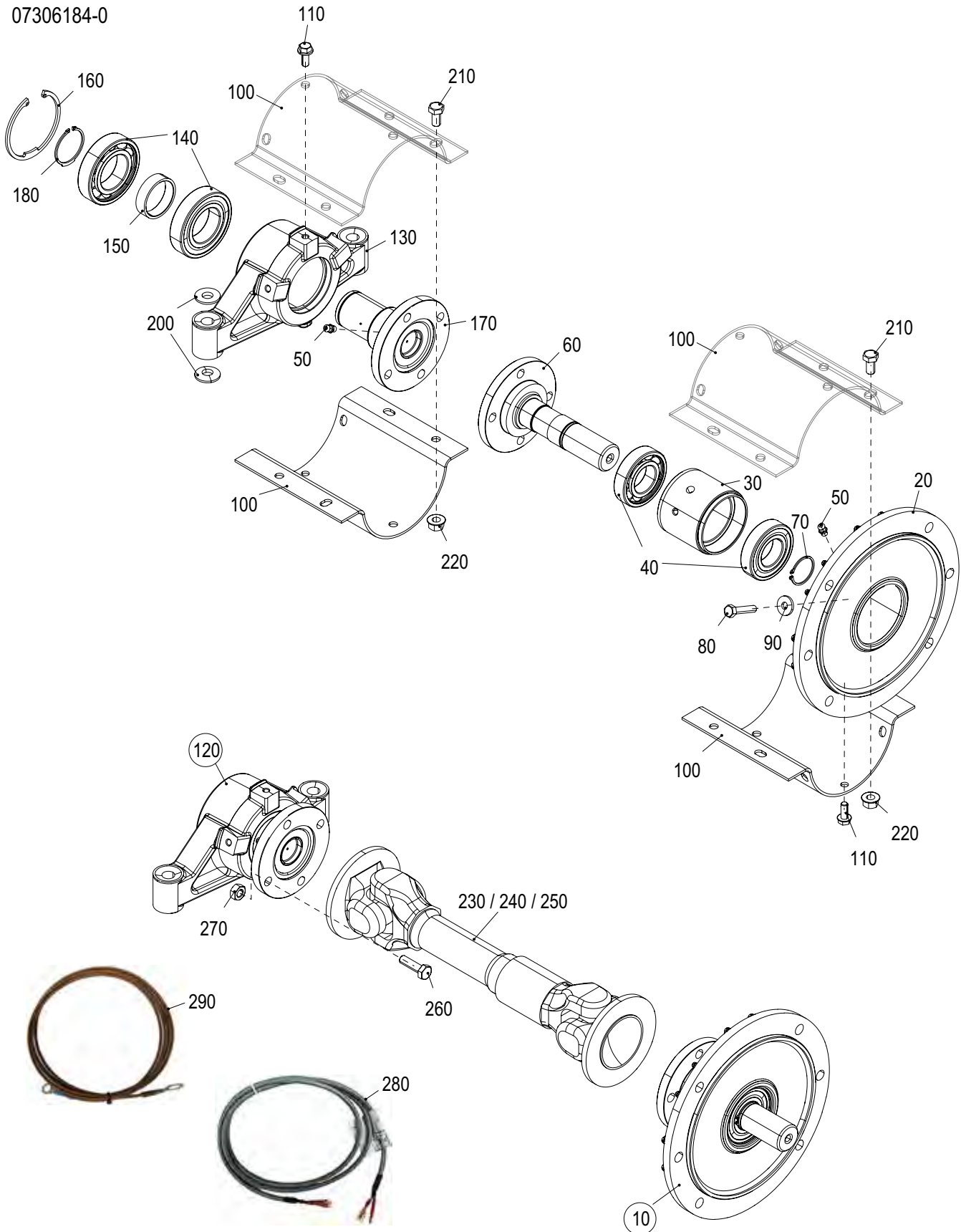


TA 0730

SE126E32 MARINE

DRIVE SHAFT EXTENSION MERCURY STERNDRIVE

07306184-0



DRIVE SHAFT EXTENSION MERCURY STERNDRIVE

SE126E32
MARINE

07306184-0

| Pos. | Part.-No. | Qty | Designation | Step |
|------|-----------|-----|--|------|
| 10 | Z002116-0 | 1 | ADAPTER SHAFT ASSY. - MERCURY (RAL9006) | .1 |
| 20 | Z002117-0 | 1 | ADAPTER HOUSING (RAL9006) (ALU CASTING) | .2 |
| 30 | 2179328-0 | 1 | BEARING RETAINER | .2 |
| 40 | 3311181-0 | 2 | DEEP GROOVE BALL BEARING DIN 625-RS1 | .2 |
| 50 | 3963112-0 | 2 | LUBRICATING NIPPLE DIN 71412-AM8x1-A3F | .2 |
| 60 | 2178814-2 | 1 | ADAPTER SHAFT (MERCURY) | .2 |
| 70 | 3933251-0 | 1 | RETAINING RING SHAFT DIN 471-35x1.5 | .2 |
| 80 | 3802442-0 | 2 | HEX.SCR.ISO 4017-M8x40-8.8-FLZNNC-720H-L | .2 |
| 90 | O125134-0 | 2 | WASHER LARGE | .2 |
| 100 | 2179273-0 | 4 | COVER PLATE | .1 |
| 110 | 9000305-0 | 6 | BOLT EN1665-M8x20-10.9-FLZNNC-720H-L | .1 |
| 120 | Z002118-0 | 1 | BEARING BLOCK DRIVE SH. MERC.(RAL9006) | .1 |
| 130 | Z002119-0 | 1 | BEARING BLOCK DRIVE SH. MERC. (RAL9006) | .2 |
| 140 | 9000486-0 | 2 | DEEP GROOVE BALL BEARING DIN 625-6209 | .2 |
| 150 | 2179271-0 | 1 | DISTANCE PLATE | .2 |
| 160 | 9000403-0 | 1 | RETAINING RING BORE DIN 472-85x3 | .2 |
| 170 | Z002120-0 | 1 | SHAFT-FLANGE DRIVE SHAFT MERC. | .2 |
| 180 | 3933350-0 | 1 | RETAINING RING SHAFT DIN 471-45x1.75-BL | .2 |
| 200 | 2179274-0 | 4 | WASHER SPHERIC | .1 |
| 210 | 3802515-0 | 8 | HEX.SCR.ISO4017-M10x20-8.8-FLZNNC-720H-L | .1 |
| 220 | 9000052-0 | 8 | HEX. NUT DIN 6927-M10-8-GEO321+VL 720H | .1 |
| 230 | Z002079-0 | 1 | DRIVE SHAFT L=432mm & SCREWS | .1 |
| 240 | Z002080-0 | 1 | DRIVE SHAFT L=1000mm & SCREWS | .1 |
| 250 | Z002081-0 | 1 | DRIVE SHAFT L=1500mm & SCREWS | .1 |
| 260 | 900634 | 8 | HX.SR.ISO4017-M10x30-10.9-FLZNNC-720H-L | .2 |
| 270 | 900635 | 8 | HEX.NUT DIN 934-M10-10.9-FLZNNC-720H-L | .2 |
| 280 | 2179352-0 | 1 | EXTENSION CABLE - TRIMSENSOR 1.5m | .1 |
| 290 | 2179353-0 | 1 | GROUND WIRE FLYW.HSG-TRANSOM 1.8m | .1 |



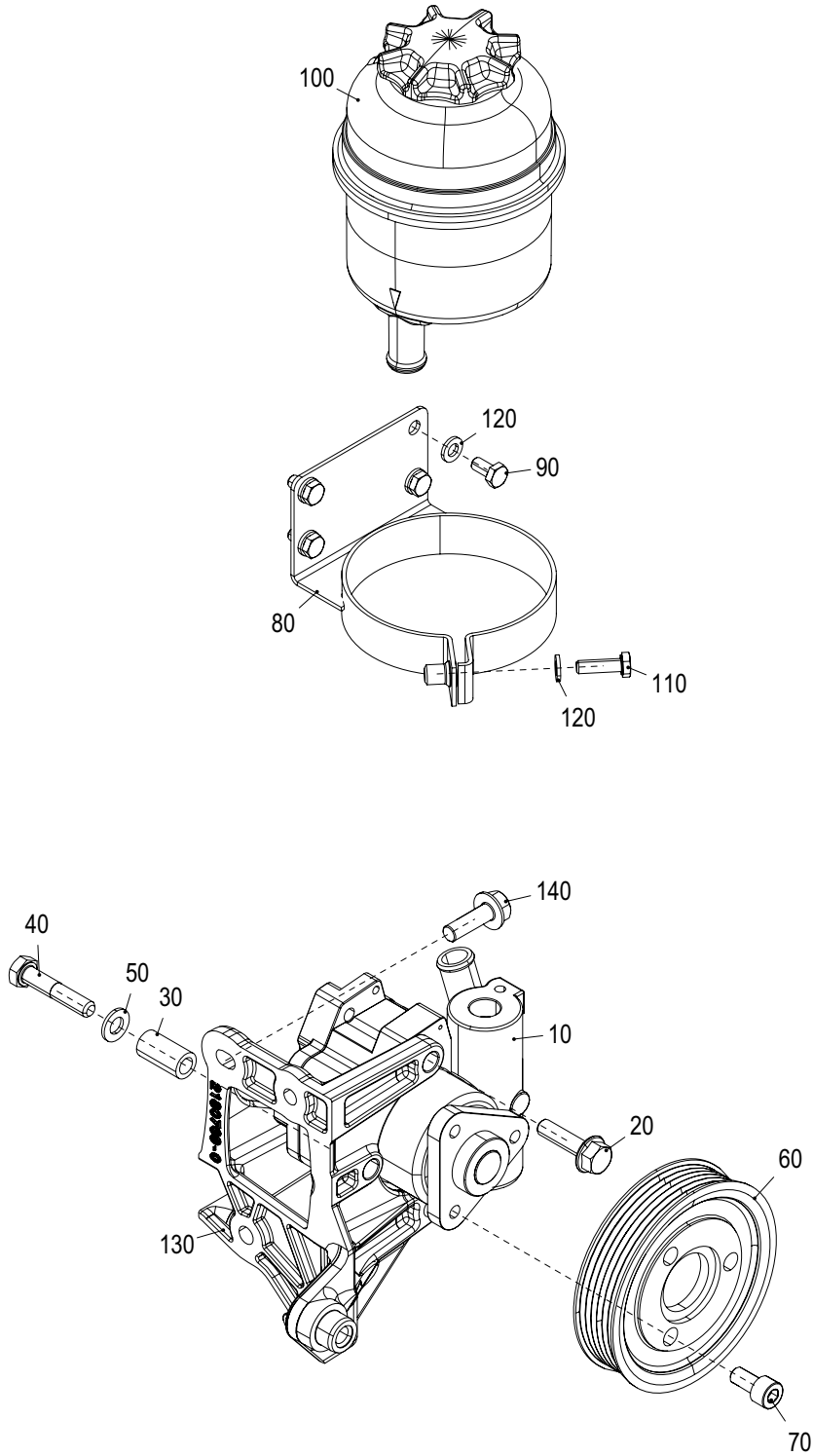


TA 1408

SE126E32
MARINE

HYDRAULIC PUMP

14086284-0



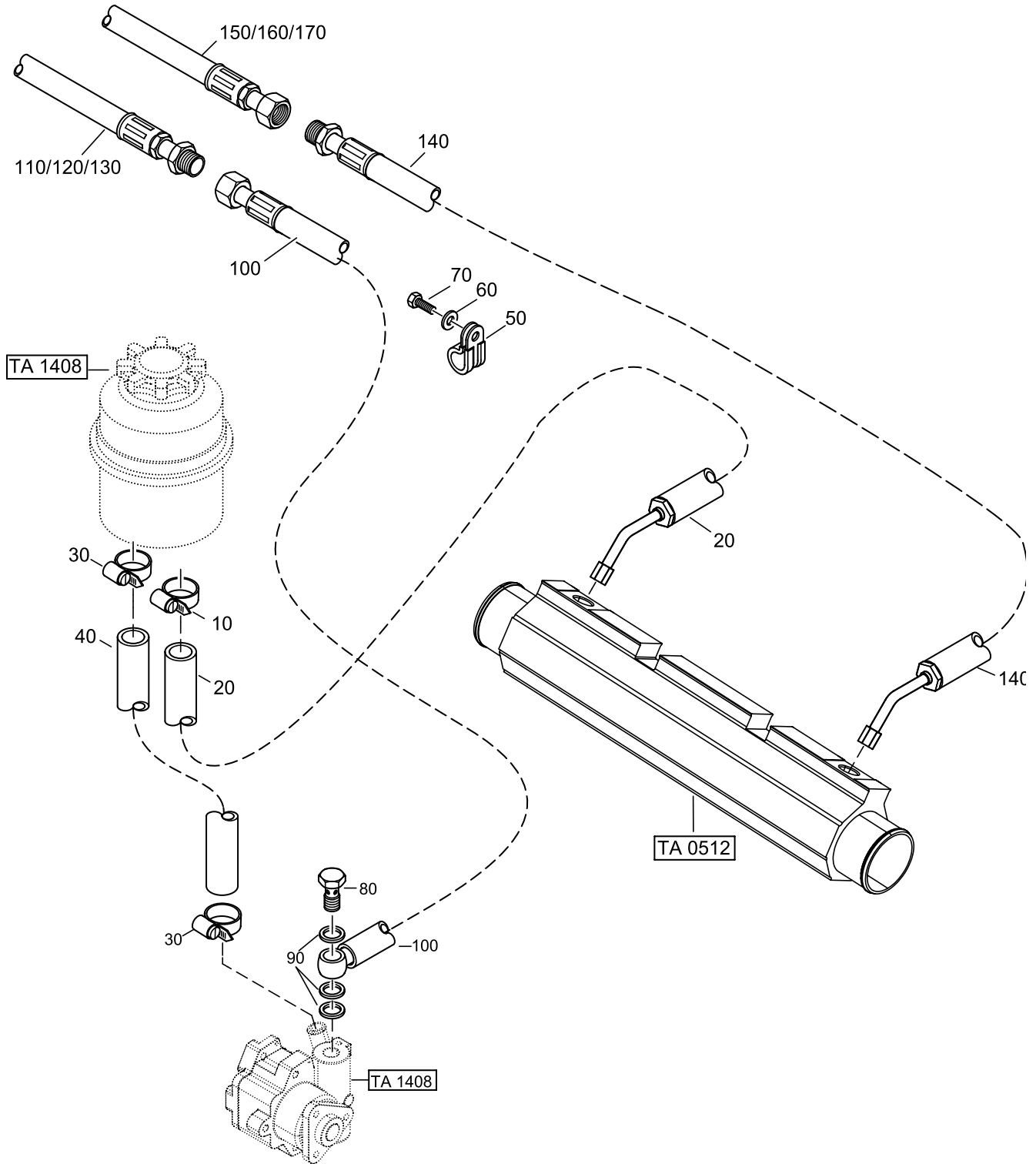


TA 1409

SE126E32
MARINE

HYDRAULIC PIPES

14096284-0





TA 2207

SE126E32
MARINE

ENGINE PREHEATING

22076284-0



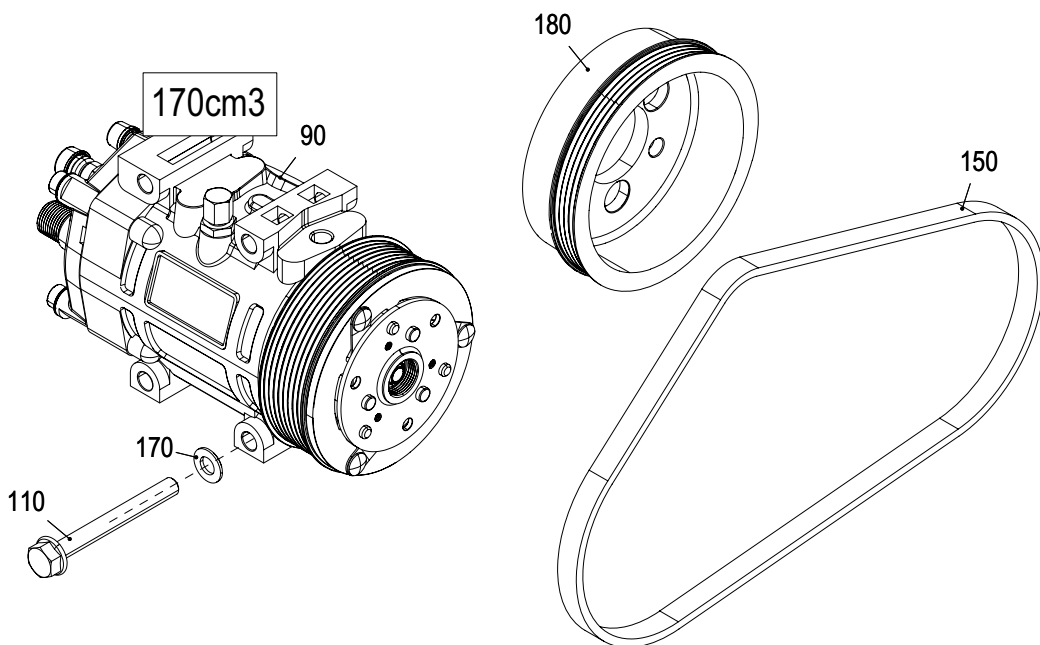
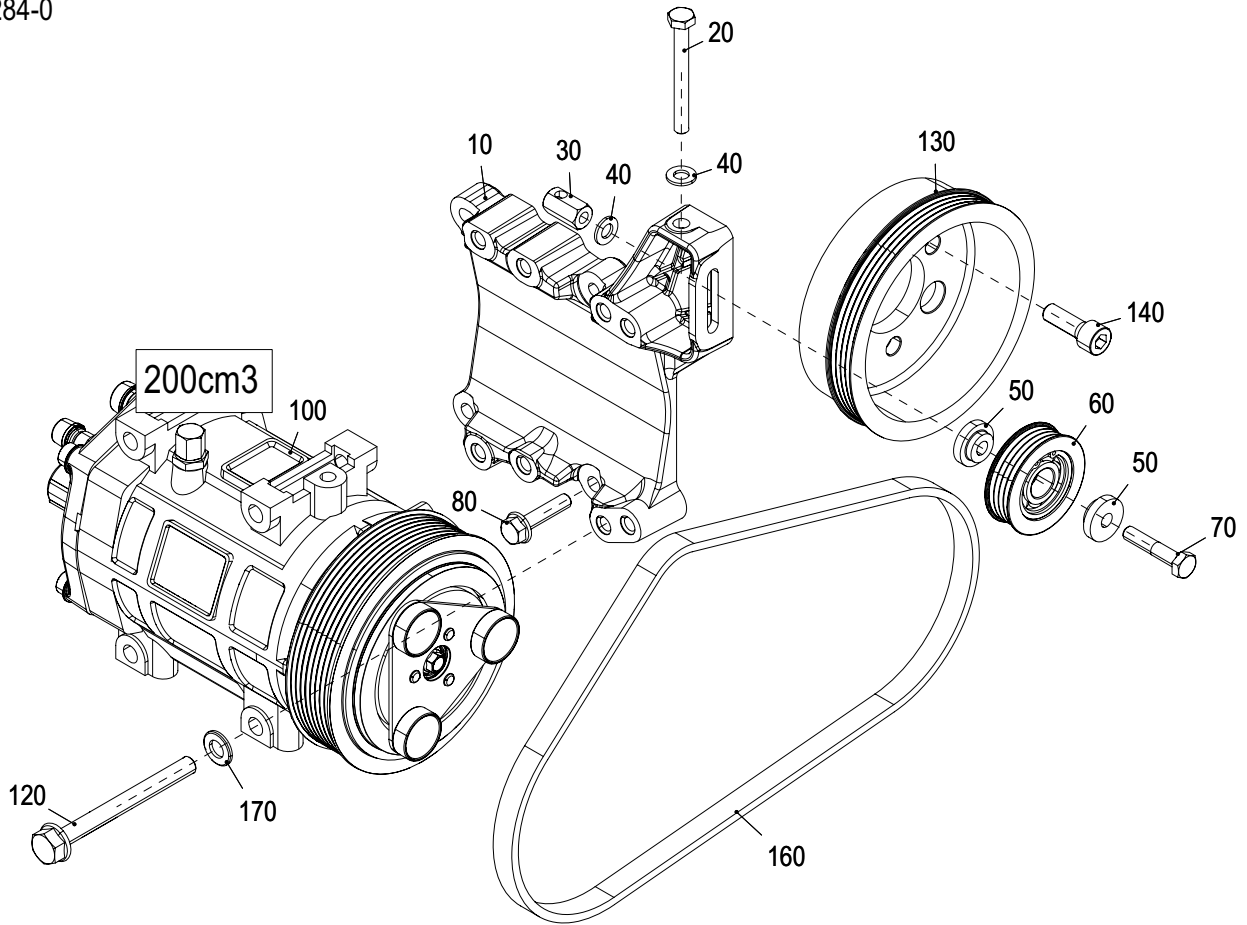


TA 5200

SE126E32
MARINE

AIR CONDITIONING & DRIVE

52006284-0



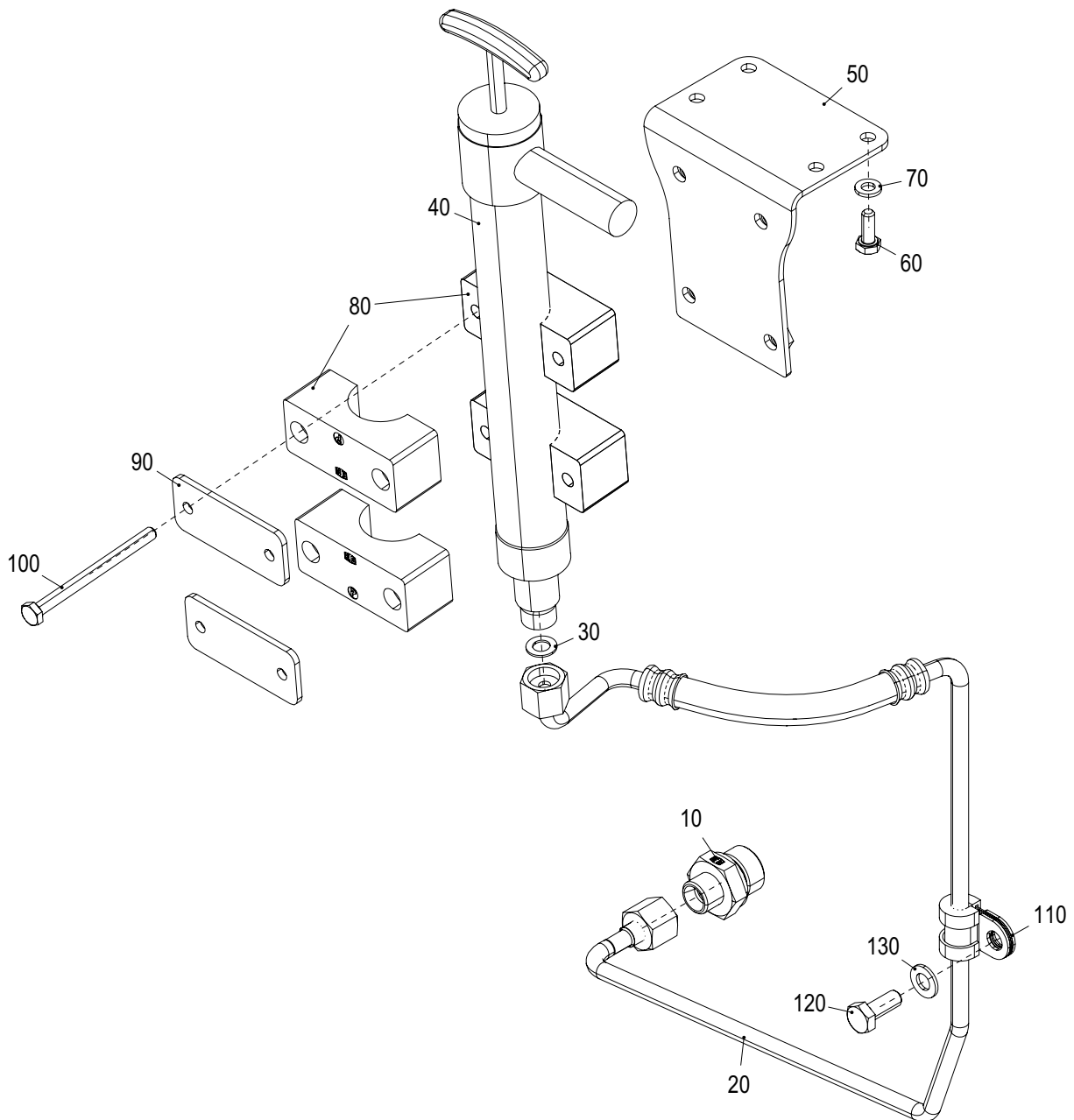


TA 5520

SE126E32
MARINE

OIL SUCTION PUMP

55206284-0



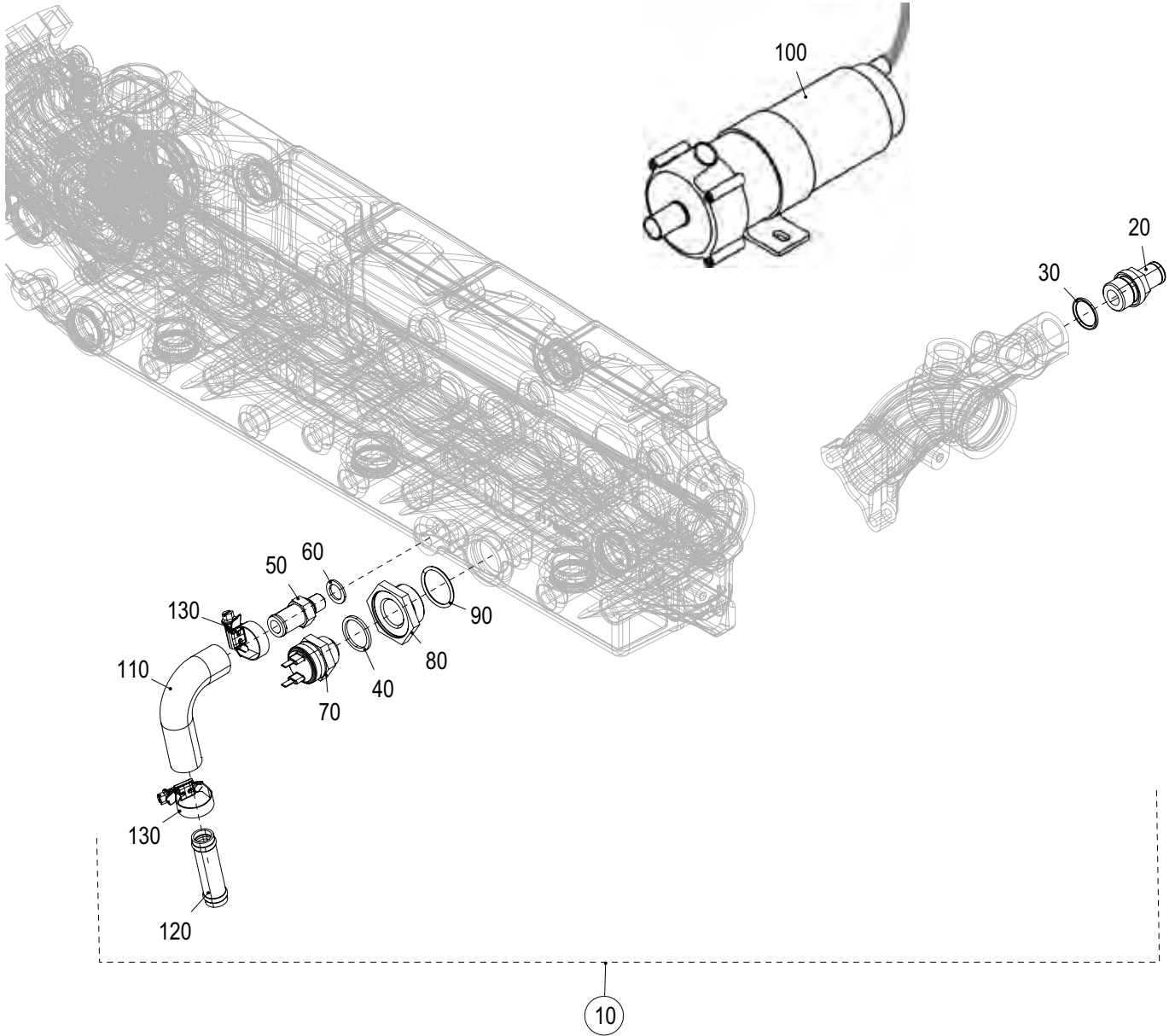


TA 6012

SE126E32
MARINE

CABIN HEATER, CIRCULATION PUMP

60126284-0





TA 9000

SE126E32 MARINE

GENERAL OPERATING MATERIAL

90006000-0

| | | | |
|--|--|--|--|
|  10 |  20 |  30 |  40 |
|  50 |  60 |  70 |  80 |
|  90 |  100 |  110 |  120 |
|  130 |  140 |  150 |  160 |
|  170 |  180 |  190 | |
| | | | |



