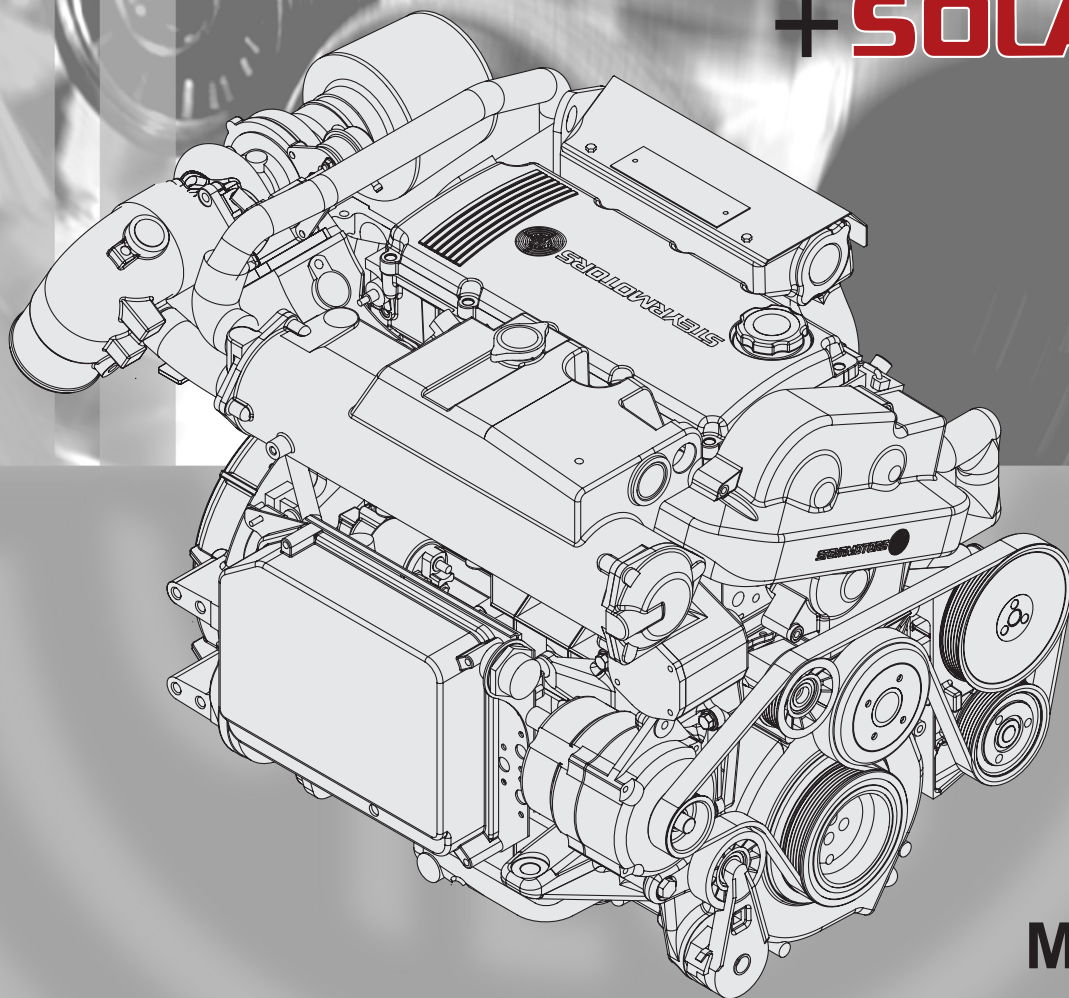


STEYR MARINE ENGINES

94 MARINE
TURBO DIESEL
+ SOLAS



MO94K33

Serial no.: 48217 001-->

SPARE PARTS CATALOGUE

P/N Z001023-0 5th Edition, January 2018

TEL ++43 / 7252 / 222 / 20

FAX ++43 / 7252 / 222 / 29

@ e.sales@steyr-motors.com



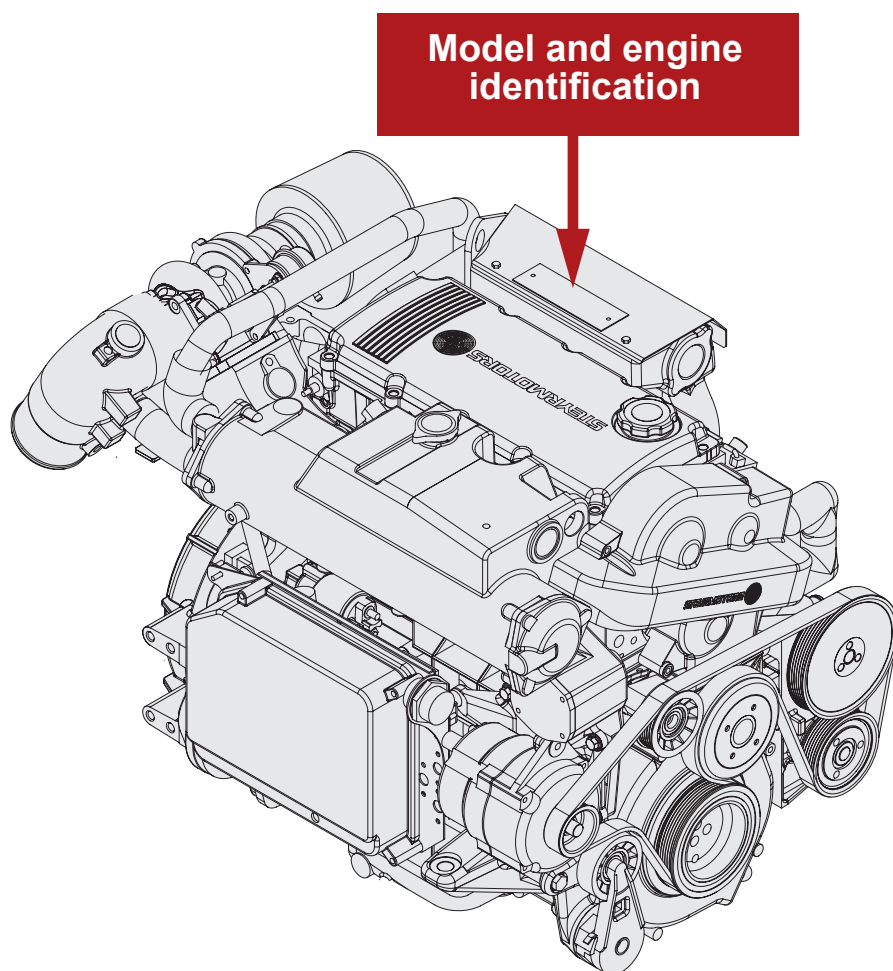
STEYRMOTORS



94 MARINE
TURBO DIESEL
+ SOLAS

When ordering spare parts are always indicate model and engine number.
This will speed up delivery and help to avoid mistakes.

The primary model and engine number is located on the engine as illustrated. These numbers are required when requesting warranty and ordering parts.



Substituting automotive or generally supplied parts and hardware will often result in less than desired performance. For this reason, you should insist on the known quality of genuine STEYR Marine matched replacement parts, and should never use parts of unknown quality.

We reserve the right to make changes in design and execution which incorporate advances in technology!



SIGNS AND SYMBOLS

1

TA 0101

94 MARINE
TURBO DIESEL
+ SOLAS

CYLINDERBLOCK

2

01014084-0

3 Pos.	4 Part.-No.	5 Qty	6 Designation	7 Step
24	Z002676-0	1	SPARE PART COVER T-BELT —>48226146	.2
26	2203711-1	1	COVER T-BELT, UPPER PART 48226147—>	.2
28	9000538-0	3	HEX.FLANGE BOLT EN 1665-M6x50 A2-70	.2

- | | |
|--|---|
| <p>1 Table number</p> <p>2 Partlist number for whole table/
functional groups</p> <p>3 Positions number</p> <p>4 Spare part number</p> <p>5 Quantity for one engine respectively
assembly group</p> | <p>6 Designation and description of spare part</p> <p>7 Groupparts are marked with a circle around the
position number. Parts in the list below these,
which had an increased step number by one, will
be included at delivery.</p> <p>8 —> 4..... Arrow before engine number:
Spare part UNTIL and LOWER</p> <p>9 4..... —> Arrow past engine number:
Spare part FROM and HIGHER</p> |
|--|---|

ACROBAT

... back to "starting point"

... one page back

... one page forward

Pos.	Part.-No.	Qty	Unit	Designation	Step

page
page





<p>Page 12 MOUNT BRACKET, LIFTING EYE, GASKET SET</p>	<p>Page 14 CRANKCASE</p>	<p>Page 16 CRANKSHAFT, BEARING, DAMPER</p>
<p>Page 18 FLYWHEEL, FLYWHEEL HOUSING</p>	<p>Page 22 PISTON, RINGS AND PIN, CONNECTION ROD</p>	<p>Page 24 CAMSHAFT, CAMSHAFT HOUSING</p>
<p>Page 28 OILPUMP, OILPIPE, OILPAN</p>	<p>Page 32 INTERCOOLER</p> <p>TILL -> 482309999</p> <p>FROM 482310001 -></p>	<p>Page 34 POWER TAKE OFF FRONT</p>



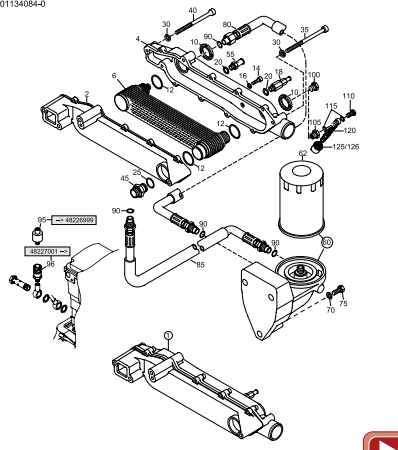

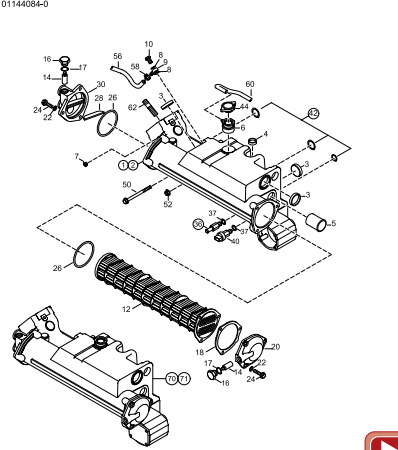

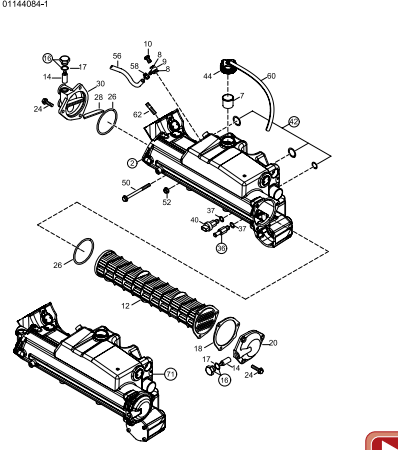

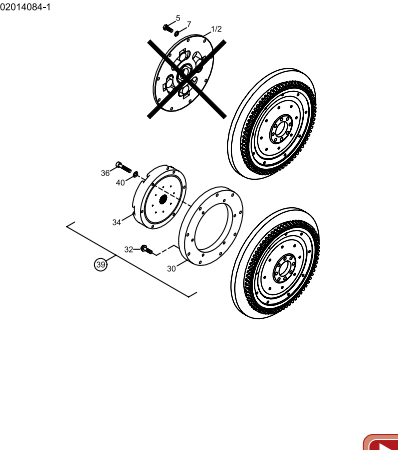

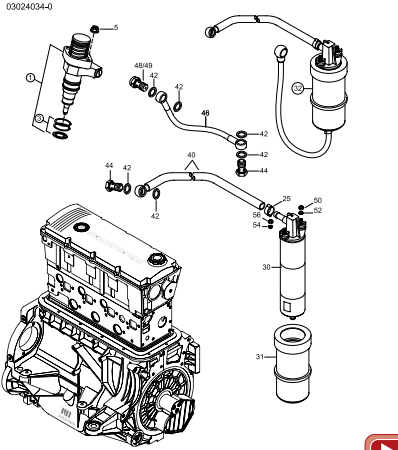

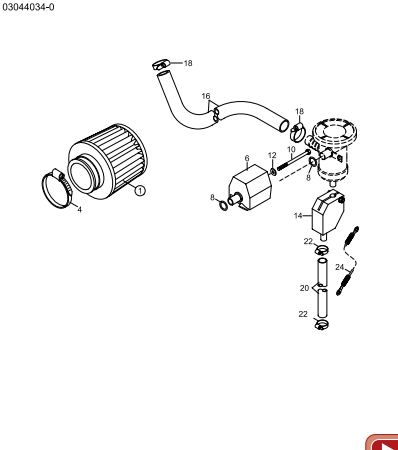

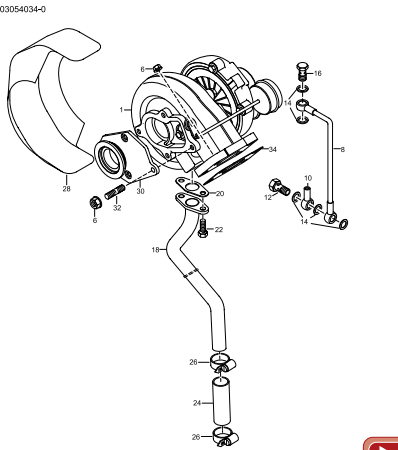

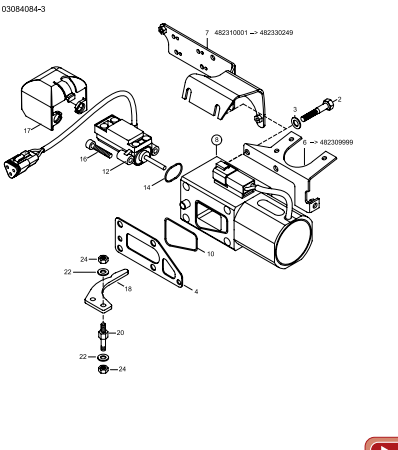

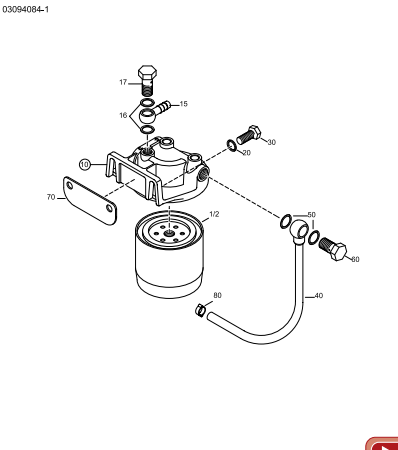

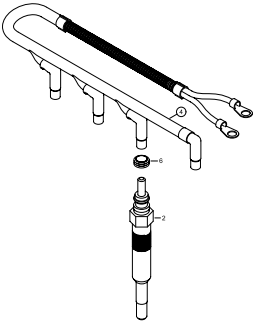

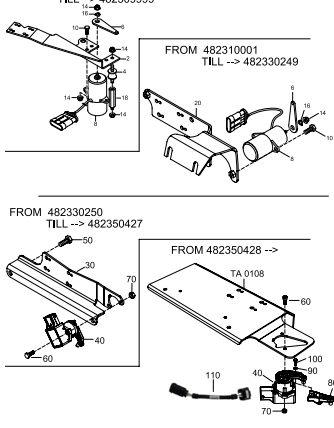

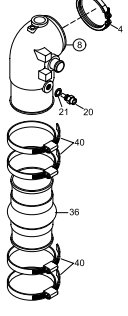

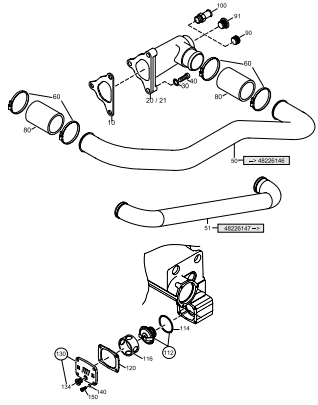

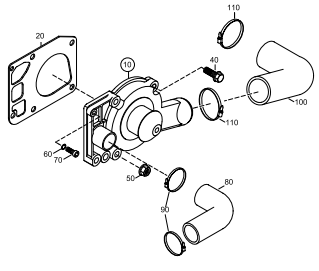

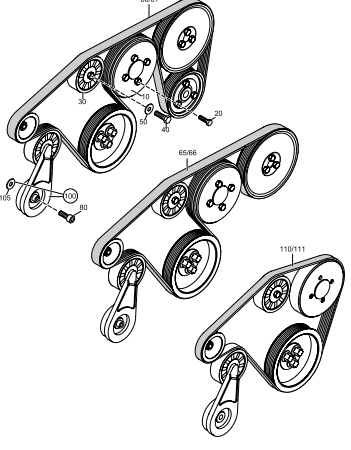

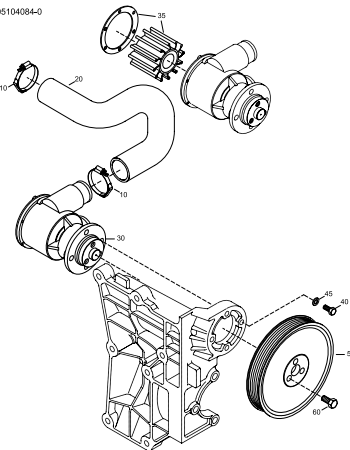

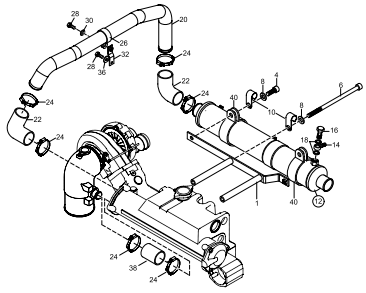

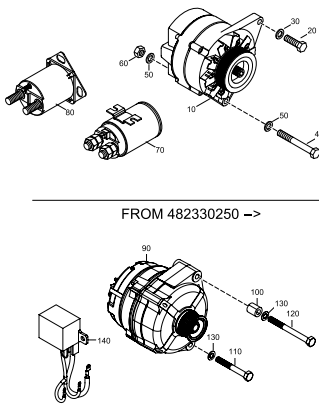

<p>Page 36</p> <p>OILCOOLER</p> <p>01134084-0</p>  	<p>Page 40</p> <p>EXHAUST -->482341169</p> <p>01144084-0</p>  	<p>Page 44</p> <p>EXHAUST 482341170--></p> <p>01144084-1</p>  
<p>Page 46</p> <p>COUPLER</p> <p>02014084-1</p>  	<p>Page 48</p> <p>FUEL PUMP, UNIT INJECTOR, PIPE</p> <p>03024034-0</p>  	<p>Page 50</p> <p>AIRFILTER</p> <p>03044034-0</p>  
<p>Page 52</p> <p>TURBO</p> <p>03054034-0</p>  	<p>Page 54</p> <p>CONTR. SOLENOID, POTENTIOMETER</p> <p>03084084-3</p>  	<p>Page 56</p> <p>FUEL FILTER</p> <p>03094084-1</p>  





TABLE OF CONTENTS - SPARE PARTS CATALOGUE

<p>Page 58</p> <p>GLOW PLUG</p> <p>03114084-0</p>  	<p>Page 60</p> <p>POT. ACCELER., BOOST PRESSURE SENSOR</p> <p>03124034-0</p> <p>TILL --> 482309999</p> <p>FROM 482310001 TILL --> 482330249</p> <p>FROM 482330250 TILL --> 482350427</p> <p>FROM 482350428 --></p>  	<p>Page 62</p> <p>HIGH RISER, EXHAUST PIPE</p> <p>04016184-1</p>  
<p>Page 64</p> <p>WATER PIPE, THERMOSTAT</p> <p>05034084-0</p>  	<p>Page 66</p> <p>WATER PUMP</p> <p>05044084-0</p>  	<p>Page 68</p> <p>DRIVE BELTS, PULLEYS, TENSIONER</p> <p>05054084-0</p>  
<p>Page 70</p> <p>RAW WATER PUMP</p> <p>05104084-0</p>  	<p>Page 72</p> <p>RAW WATER PIPES, FUEL-OIL COOLER</p> <p>05124034-0</p>  	<p>Page 74</p> <p>ALTERNATOR</p> <p>06014084-0</p> <p>TILL --> 482330249</p> <p>FROM 482330250 --></p>  



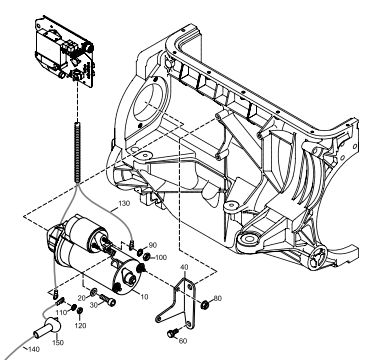

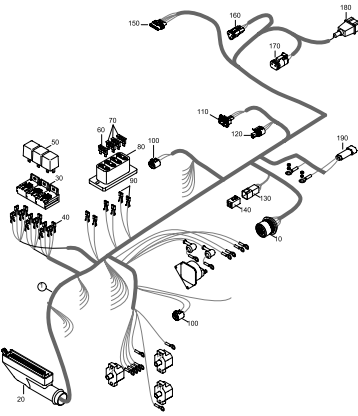

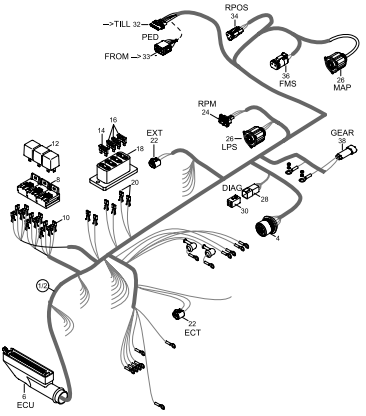

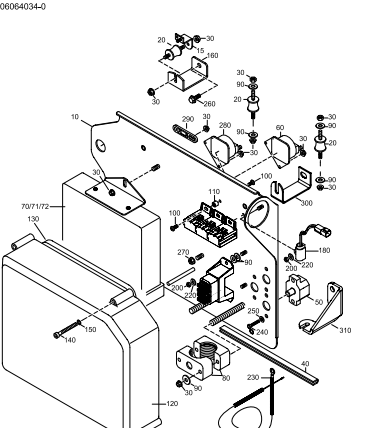

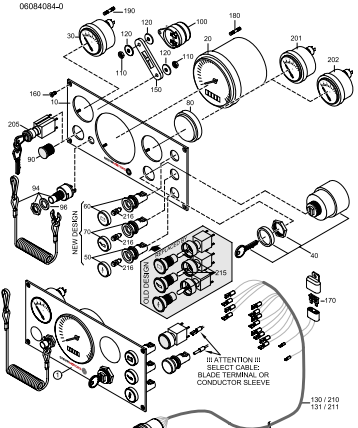

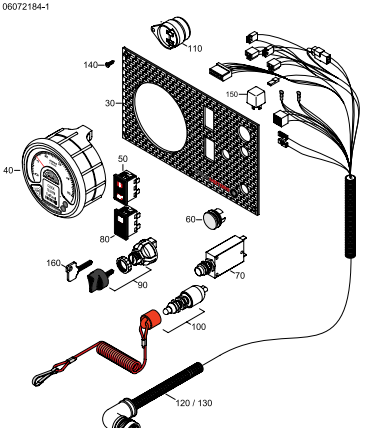

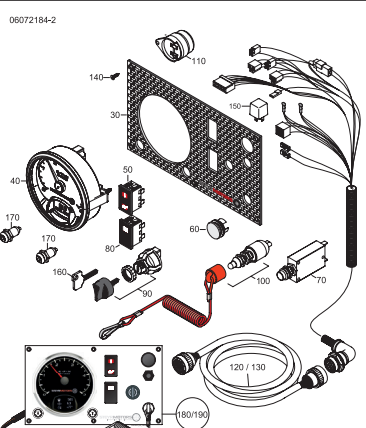

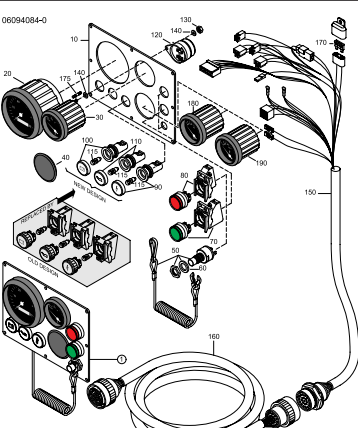

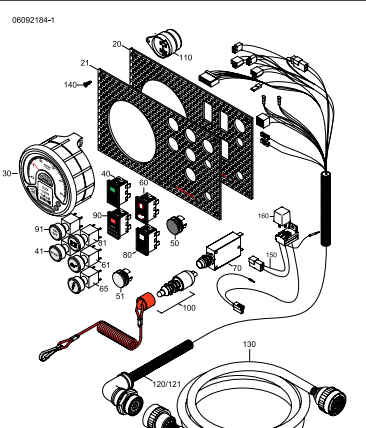

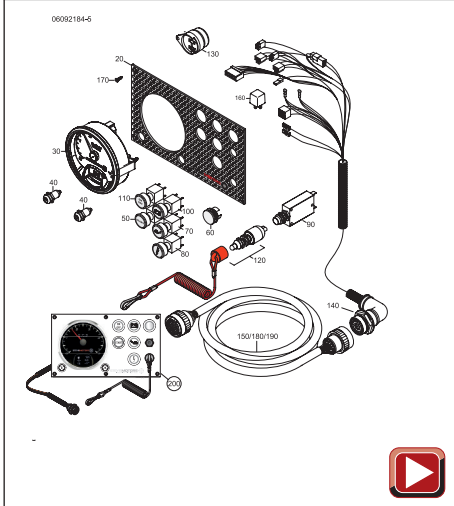
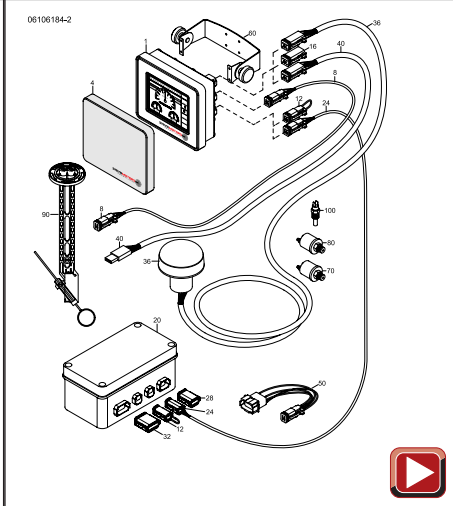
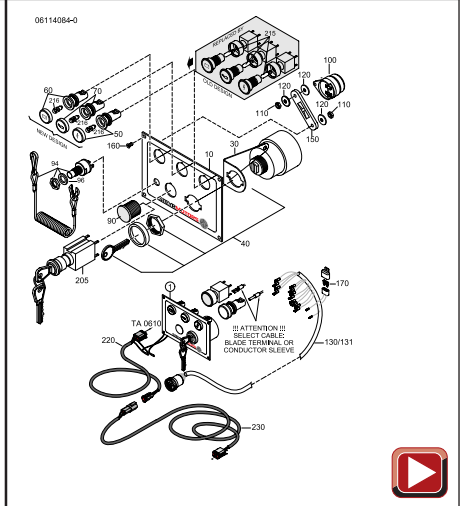
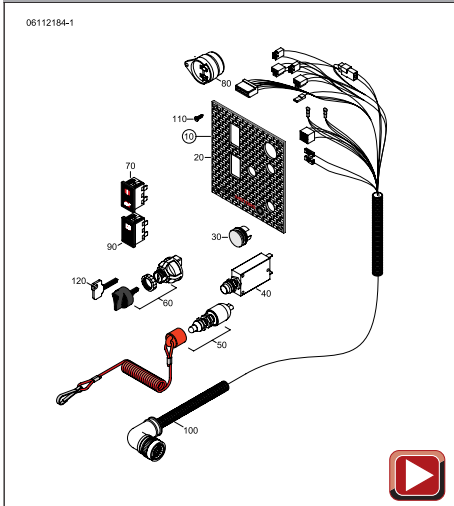
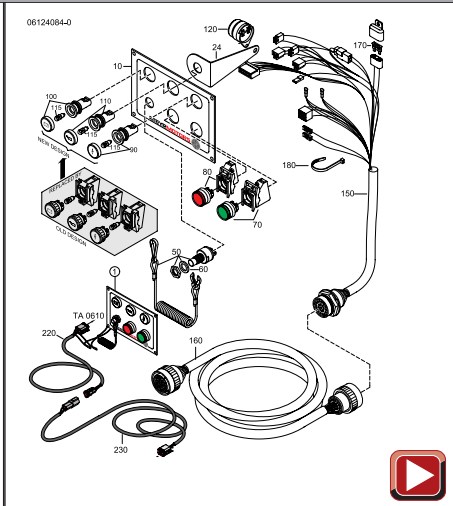
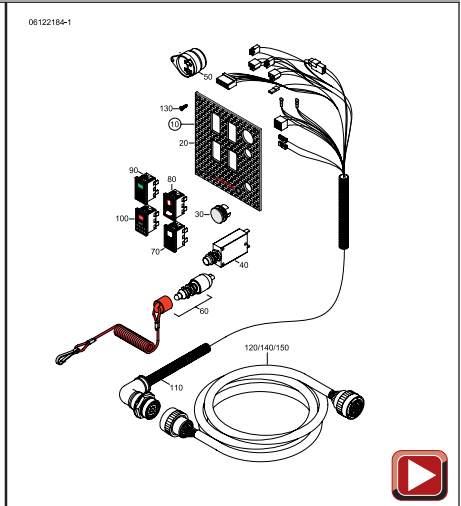
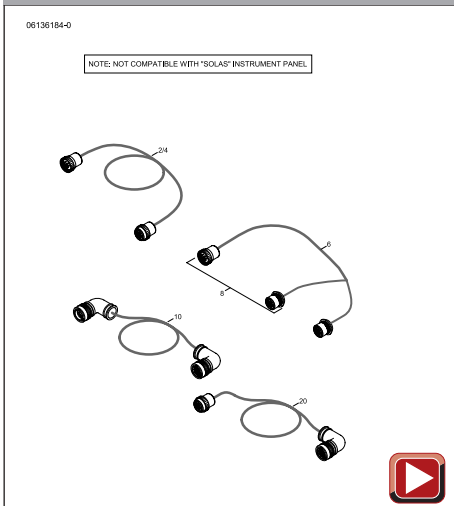
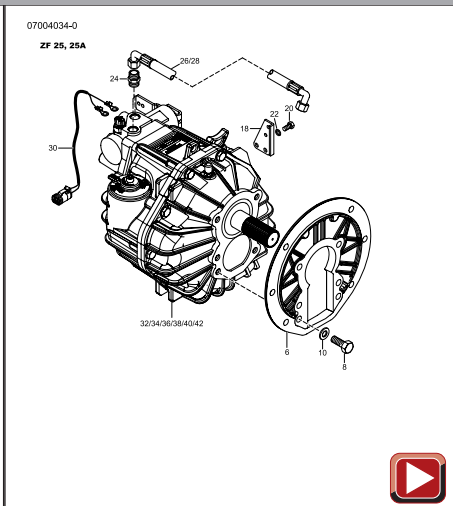
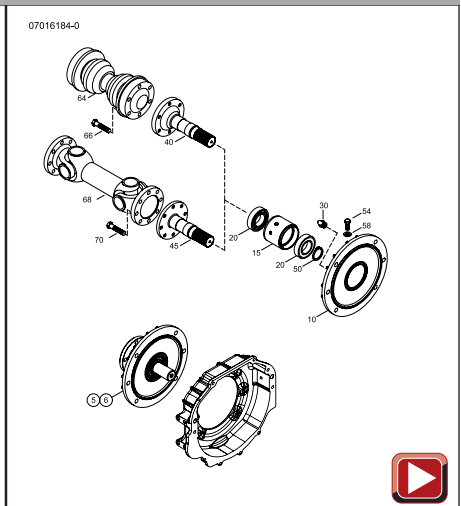
<p>Page 76</p> <p>STARTER</p> <p>06034084-0</p>  	<p>Page 78</p> <p>ENGINE HARNESS 48221067 --> 48226999</p> <p>06254084-1</p>  	<p>Page 80</p> <p>ENGINE HARNESS 48227001--></p> <p>06054084-2</p>  
<p>Page 82</p> <p>SECURITY SYSTEM, ECU, E-BOX</p> <p>06064034-0</p>  	<p>Page 86</p> <p>INSTR. PANEL STANDARD TILL 2010</p> <p>06084084-0</p>  <p>ATTENTION: SELECT CABLE: BLACK TERMINAL OR CONDUCTOR SLEEVE</p> 	<p>Page 88</p> <p>INSTR. PANEL STANDARD 2010-2013/08</p> <p>06072184-1</p>  
<p>Page 90</p> <p>INSTR. PANEL STANDARD 2013/08--></p> <p>06072184-2</p>  	<p>Page 92</p> <p>INSTR. PANEL SOLAS TILL 2010</p> <p>06094084-0</p>  	<p>Page 94</p> <p>INSTR. PANEL SOLAS 2010-2013/08</p> <p>06092184-1</p>  


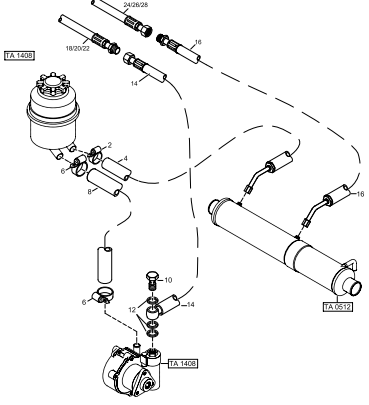
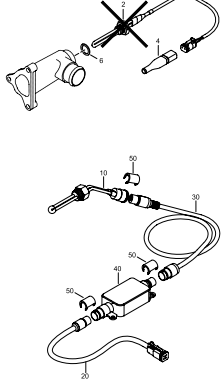
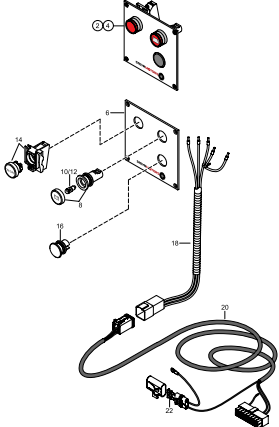

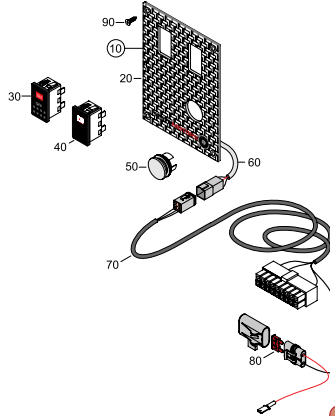

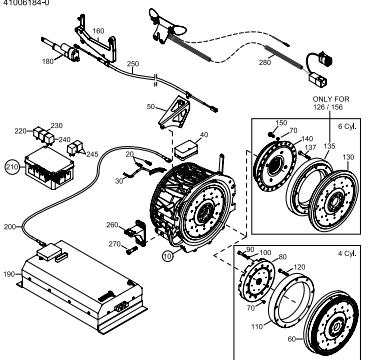

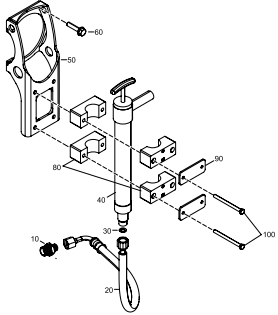

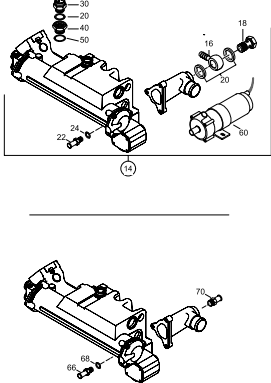





TABLE OF CONTENTS - SPARE PARTS CATALOGUE

<p>Page 96 INSTR. PANEL SOLAS 2013/08--></p> 	<p>Page 98 DISPLAY (ACCESSORY)</p> 	<p>Page 100 SWITCH PANEL FOR DISPLAY TILL 2010</p> 
<p>Page 102 SWITCH PANEL FOR DISPLAY FROM 2010</p> 	<p>Page 104 PUSH BUTTON PANEL FOR DISPLAY TILL 2010</p> 	<p>Page 106 PUSH BUTTON PANEL FOR DISPLAY FROM 2010</p> 
<p>Page 108 EXTENSION CABLE INSTR. (ACCESSORY)</p> <p>NOTE: NOT COMPATIBLE WITH "SOLAS" INSTRUMENT PANEL.</p> 	<p>Page 110 TRANSMISS., MOUNTING BRACKETS, PIPES</p> 	<p>Page 112 TRANSMISSION-SHAFT, PTO-SHAFT (ALU)</p> 



<p>Page 114</p> <p>HYDRAULIC PUMP</p> <p>14084084-0</p>  	<p>Page 116</p> <p>HYDRAULIC PIPES</p> <p>14094084-0</p>  	<p>Page 118</p> <p>ENGINE PREHEATING</p> <p>22076184-0</p>  
<p>Page 120</p> <p>INTEGR. FLYWHEEL GENERATOR (IFG)</p> <p>40004084-0</p>  	<p>Page 122</p> <p>PUSH BUTTON PANEL "IFG" TILL 2010</p> <p>40096184-0</p>  	<p>Page 124</p> <p>PUSH BUTTON PANEL "IFG" FROM 2010</p> <p>40096184-1</p>  
<p>Page 126</p> <p>HYBRID</p> <p>41006184-0</p>  	<p>Page 128</p> <p>OIL SUCTION PUMP</p> <p>55204084-0</p>  	<p>Page 130</p> <p>HEATING UNIT, CIRCULATION PUMP</p> <p>60124084-0</p>  





94 MARINE
TURBO DIESEL
+ SOLAS

TABLE OF CONTENTS - SPARE PARTS CATALOGUE

Page 132

GENERAL OPERATING MATERIAL





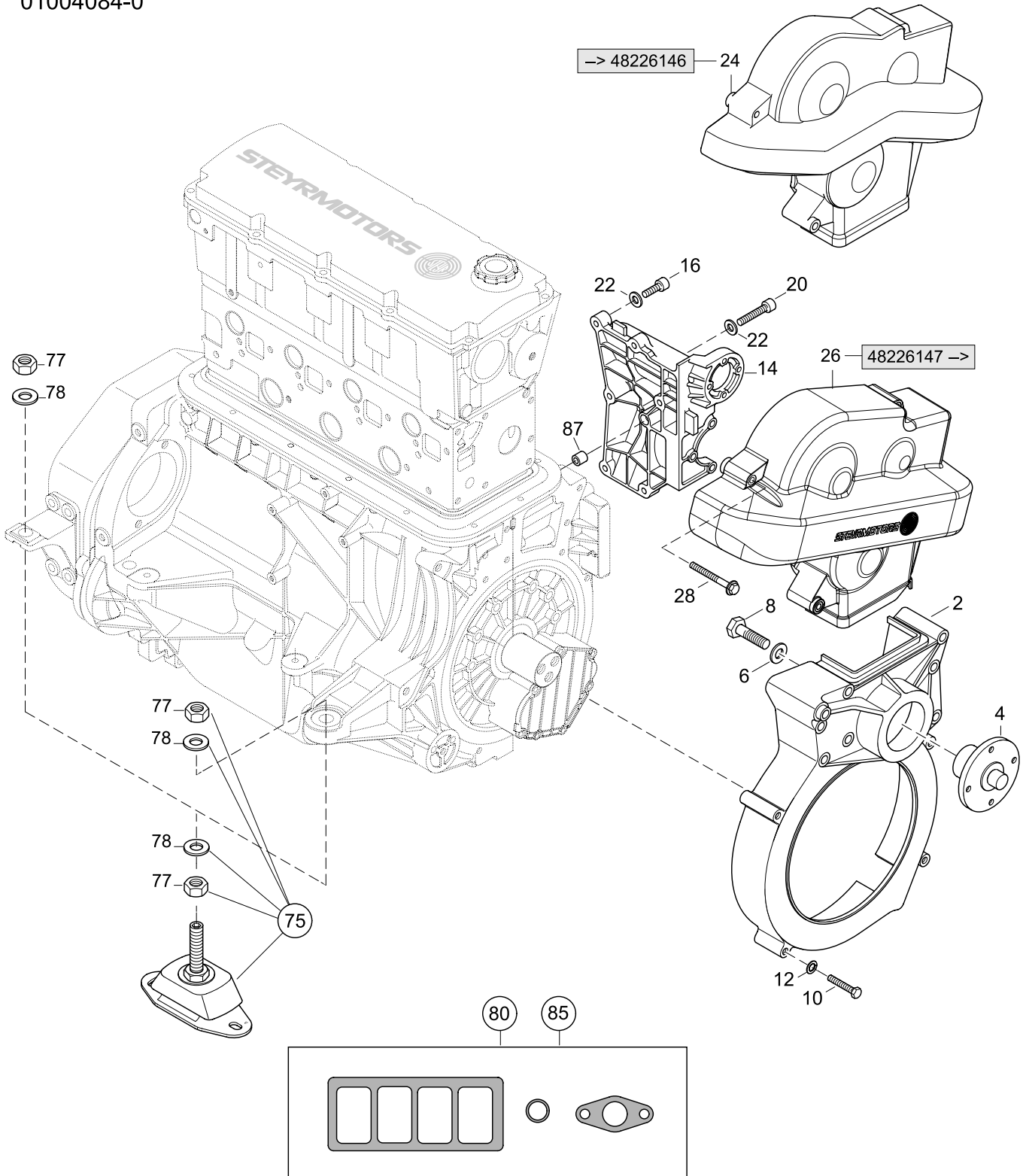


TA 0100

94 MARINE
TURBO DIESEL
+ SOLAS

MOUNT BRACKET, LIFTING EYE, GASKET SET

01004084-0



MOUNT BRACKET, LIFTING EYE, GASKET SET

94 MARINE
TURBO DIESEL
+ SOLAS

01004048-0

Pos.	Part.-No.	Qty	Designation	Step
2	Z002406-0	1	COVER T-BELT ASSY, LOWER (RAL9006)	.1
4	2203516-2	1	BEARING SHAFT	.1
6	2203563-0	1	SUPPORT WASHER, BEARING SHAFT	.1
8	3802515-0	1	HEX.SCR.ISO4017-M10x20-8.8-FLZNNC-720H-L	.1
10	9000289-0	11	HEX.BOLT ISO4014-M6x65-8.8-FLZNNC-720H-L	.1
12	3930070-0	11	WASHER ISO 7089-6-A4-200HV	.1
14	Z002428-0	1	BRACKET, ENGINE MOUNT (RAL9006)	.1
16	9000045-0	4	HEX.SCR.ISO 4762-M8x40-8.8-FLZNNC-720H-L	.1
20	3862466-0	3	HEX.SCR.ISO 4762-M8x65-8.8-FLZNNC-720H-L	.1
22	3930103-0	7	WASHER ISO 7089-8-A4-200HV	.1
24	Z002676-0	1	SPARE PART COVER T-BELT	.1
26	2203711-1	1	COVER T-BELT, UPPER PART	.1
28	9000538-0	3	HEX.FLANGE BOLT EN 1665-M6x50-A2-70	.1
75	2203804-5	4	ENGINE MOUNT ASSY 55SH	.1
77	9000442-0	2	HEX.NUT ISO 8673-M18x1,5-8-A-DAC	.2
78	9000441-0	2	LOCKWASHER 19,5x34,5	.2
80	Z002409-0	1	SEAL KIT_4 CYL. MARINE ENGINE	.1
85	Z002409-6	1	SEAL KIT 4 CYL. ENGINE WO. FRAME SEAL	.1
87	2203543-0	2	FITTING SLEEVE	.1



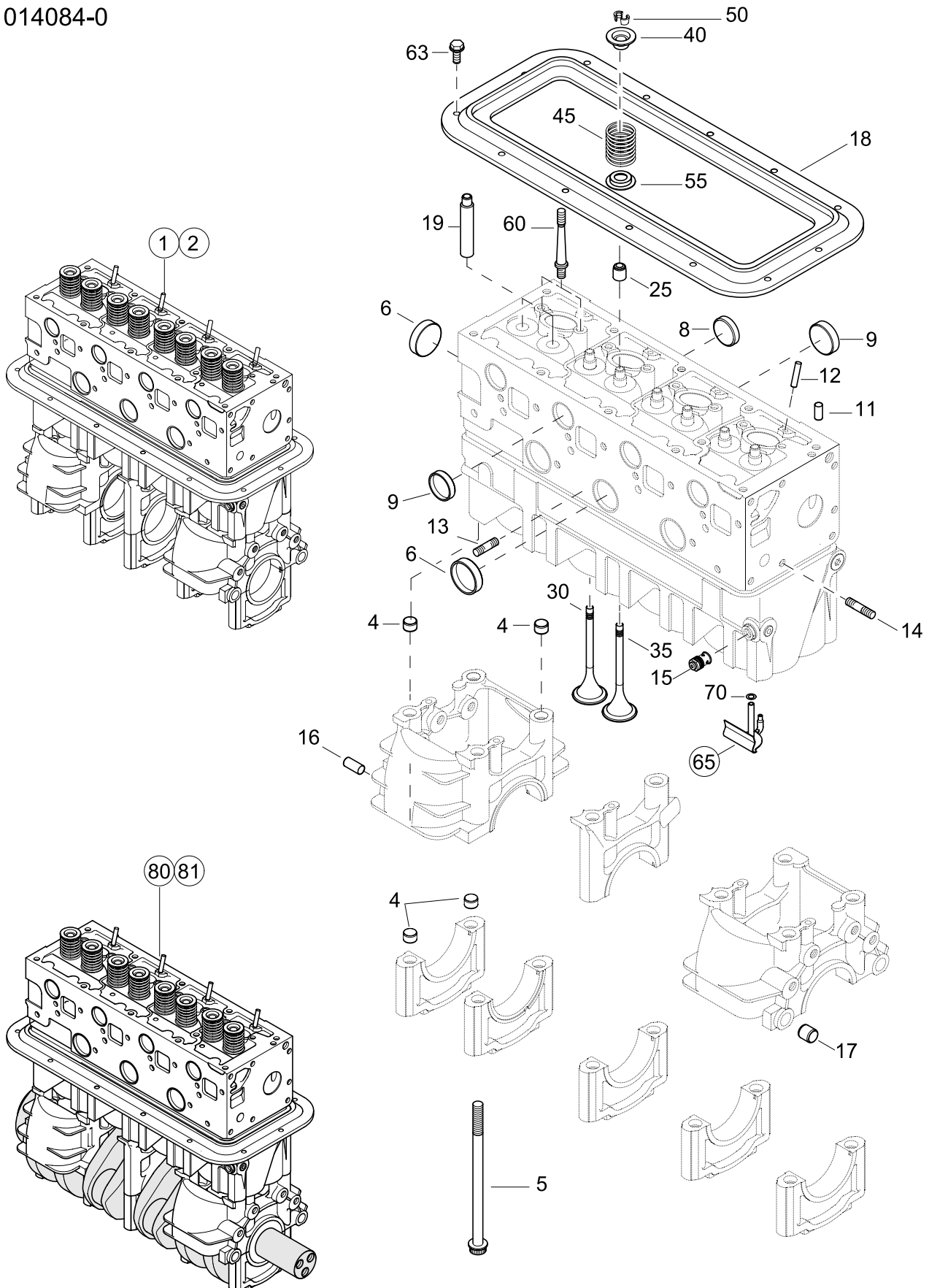


TA 0101

94 MARINE
TURBO DIESEL
+ SOLAS

CRANKCASE

01014084-0



CRANKCASE

94 MARINE
 TURBO DIESEL
 + SOLAS

01014084-0

Pos.	Part.-No.	Qty	Designation	Step
1	MZ40084-0	1	CYL. BLOCK ASSY. MARINE (INCL. VALVES) -->48227163	.1
2	MZ40084-1	1	CYL. BLOCK ASSY. MARINE (INCL. VALVES) 48227164-->	.1
4	2172799-0	16	FITTING SLEEVE	.2
5	2174329-0	10	BOLT, MAIN BEARING	.2
6	2170309-0	4	CORE HOLE PLUG 40-8	.2
8	2172676-0	2	CORE HOLE PLUG 35-8	.2
9	2172170-0	3	CORE HOLE PLUG 28-7	.2
11	3901416-0	2	PARALLEL PIN ISO 2338-8m6x16-ST	.2
12	3901328-0	4	PARALLEL PIN ISO 2338-6m6x30-ST	.2
13	9000327-0	2	STUD DIN 939-M6x20-8.8-FLZNNC-720H-L	.2
14	3812435-0	1	STUD DIN 938-M8x35-8.8-FLZNNC-720H-L	.2
15	2178525-1	1	COOLING OIL VALVE ASSY.	.2
16	3901509-0	2	PARALLEL PIN ISO 2338-10m6x20-ST	.2
17	2170298-0	2	FITTING SLEEVE	.2
18	2040217-0	1	FRAME SEAL	.2
19	2172133-N	8	VALVE GUIDE	.2
25	2172096-1	8	VALVE STEM SEAL	.2
30	2177577-1	4	EXHAUST VALVE	.2
35	2177576-6	4	INTAKE VALVE	.2
40	2177349-0	8	VALVE-SPRING RETAINER	.2
45	2172362-0	8	VALVE SPRING	.2
50	2170171-0	16	VALVE COLLET	.2
55	2177415-0	8	SPRING SUPPORT	.2
60	2174321-1	8	STUD	.1
63	9000287-0	13	BOLT EN1665-M6x12-8.8-FLZNNC-720H-L	.1
65	2178478-0	4	SPRAY NOZZLE ASSY.	.1
70	2173533-0	4	O-RING 5,23x2,62	.2
80	MT40084-0	1	PART. ENG. (BLOCK, PISTON, CRSH, VALVES) -->48227163	.1
81	MT40084-1	1	PART. ENG. (BLOCK, PISTON, CRSH, VALVES) 48227164-->	.1



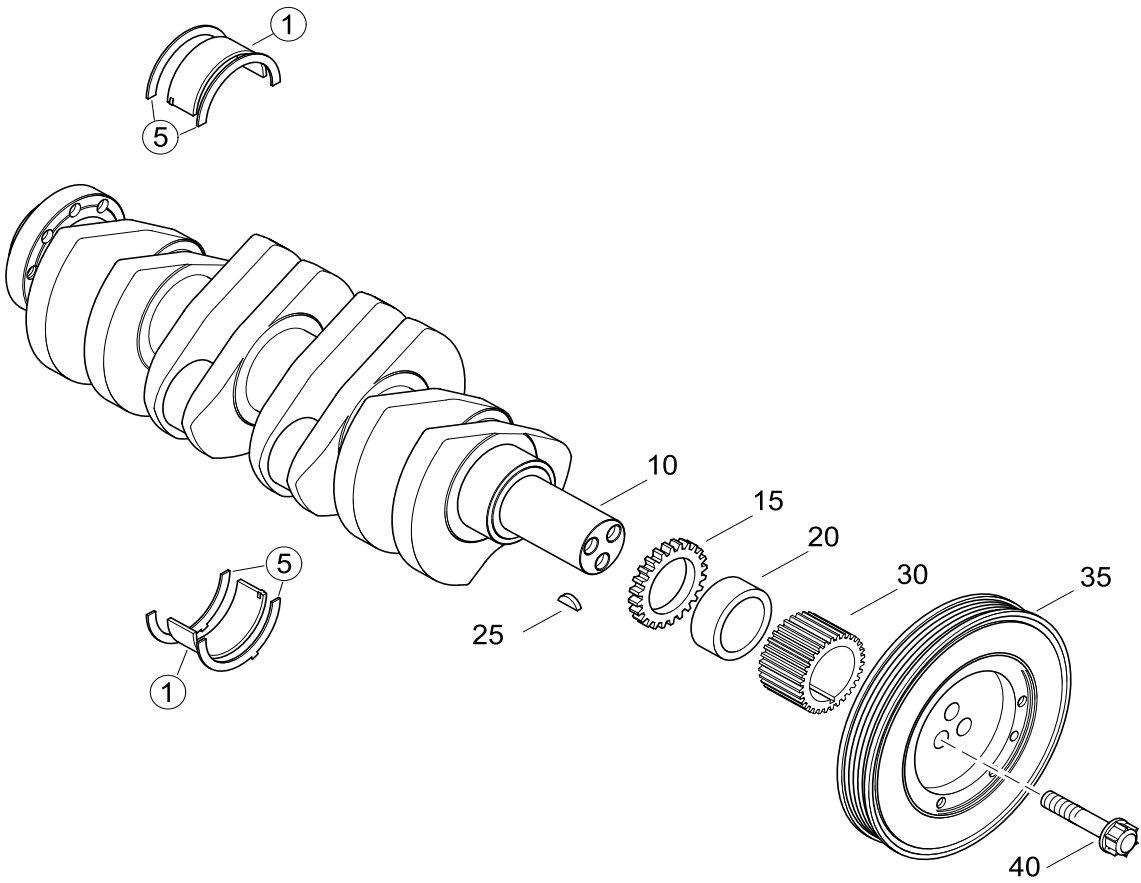


TA 0102

94 MARINE
TURBO DIESEL
+ SOLAS

CRANKSHAFT, BEARING, DAMPER

01024084-0



CRANKSHAFT, BEARING, DAMPER



01024084-0

Pos.	Part.-No.	Qty	Designation	Step
1	Z002003-0	5	MAIN BEARING KIT, CRANKSHAFT	.1
5	Z002002-0	1	AXIAL BEARING KIT, CRANKSHAFT	.1
10	Z002427-0	1	CRANKSHAFT 4 CYL. (SPARE PART)	.1
15	2172584-0	1	GEAR	.1
20	Z021016-0	1	BARREL RING INCL. O-RING	.1
25	3960012-0	1	WOODRUFFKEY DIN 6888-8x9	.1
30	2172770-2	1	SYNCHRONOUS BELT PULLEY	.1
35	2203498-0	1	TORSIONAL VIBRATION DAMPER	.1
40	2205328-0	3	SCREW M12x60-12.9-GEO500	.1



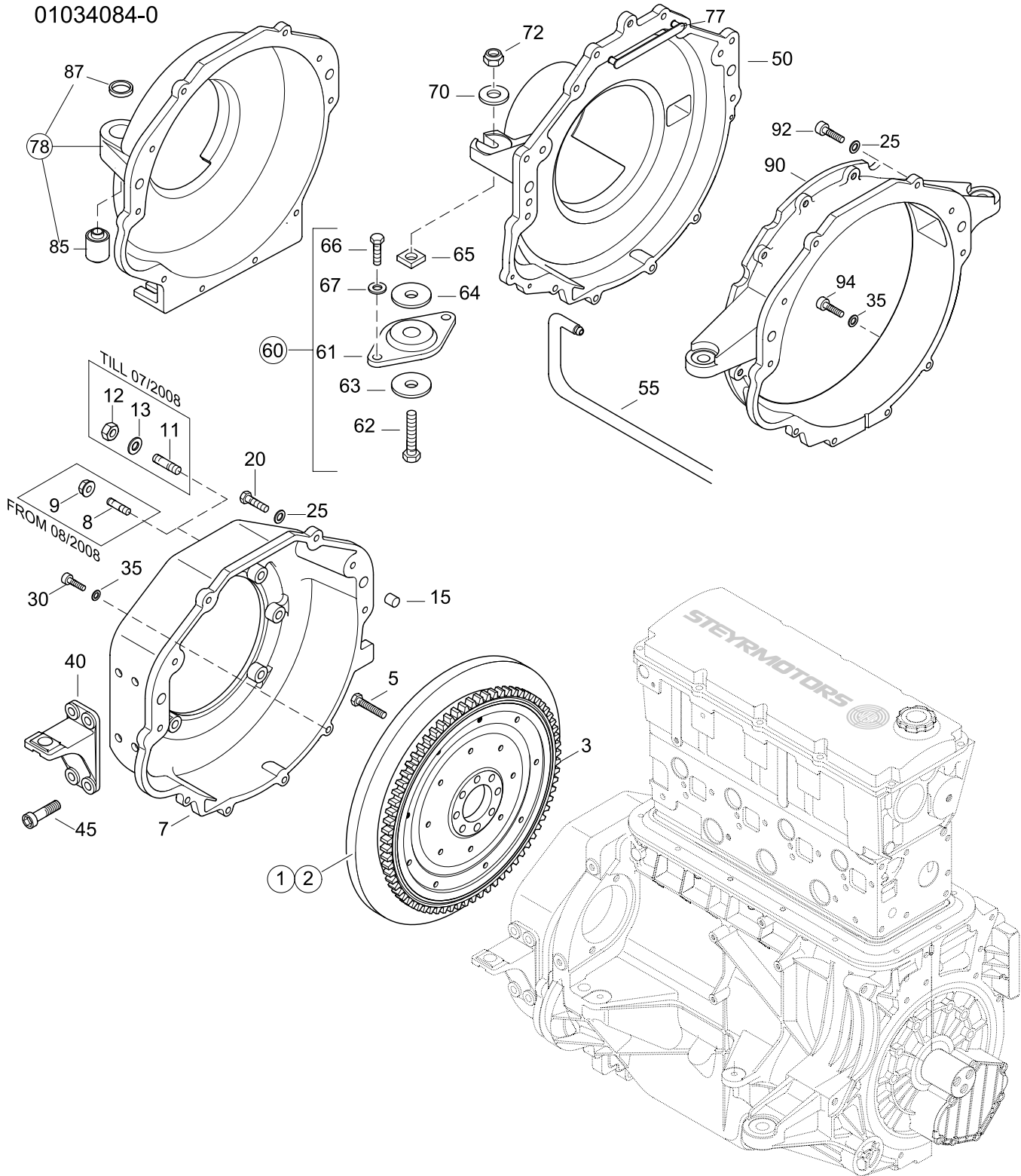


TA 0103

94 MARINE
TURBO DIESEL
+ SOLAS

FLYWHEEL, FLYWHEEL HOUSING

01034084-0



FLYWHEEL, FLYWHEEL HOUSING

94 MARINE
 TURBO DIESEL
 + SOLAS

01034084-0

Pos.	Part.-No.	Qty	Designation	Step
1	2203739-1	1	FLYWHEEL ASSY. - DM56 -->48225999	.1
2	2203739-2	1	FLYWHEEL ASSY. - DM40 48226001-->	.1
3	2205031-0	1	STARTER RING GEAR, FLYWHEEL	..2
5	2174592-0	8	HEX.HD.SCR. ISO 4017-M10x30-12.9	.1
7	Z002165-0	1	SPARE FLYWHEEL HSG, B/W FLANGE (RAL9006)	.1
8	9000371-0	6	STUD DIN 835-M10x25-8.8-FLZNNC-720H-L	.1
9	9000042-1	6	HEX. NUT DIN 6923-M10-8-FLZNNC-720H-L	.1
11	9000082-0	6	STUD DIN 835-M12x25-8.8-FLZNNC-720H-L	.1
12	3871319-0	6	HEX.NUT ISO 4032-M12-8-FLZNNC-720H-L	.1
13	3930282-0	6	WASHER ISO 7089-12-140HV-FLZNNC-480H	.1
15	3900184-0	2	SPRING PIN, SLIGHT TYPE ISO 13337-16x22	.1
20	3862545-0	5	HEX.SOCK. SCR. ISO 4762-M10x35-A2-70	.1
25	3930075-0	5	WASHER ISO 7089-10-A4-200HV	.1
30	3862433-0	4	HEX.SOCK. SCR. ISO 4762-M8x30-A4-70	.1
35	3930103-0	4	WASHER ISO 7089-8-A4-200HV	.1
40	2178722-1	2	BRACKET FLYWHEEL HOUSING	.1
45	9000081-0	8	HEX.SCR.ISO4762-M12x35-8.8-FLZNNC-720H-L	.1
50	O915157-9	1	FLYWHEELHOUSING OMC/VOLVO SX (RAL9006)	.1
55	O913787-0	1	HOSE-FLYWHEEL HOUSING	.1
60	O986712-0	1	SMALL PARTS REAR MOUNTS	.1
61	O983932-0	2	REAR MOUNT ASSY	..2
62	O318573-0	2	BOLT, REAR MOUNT	..2
63	O911780-0	2	WASHER-REAR MOUNT-LOWER	..2
64	O912889-0	2	WASHER REAR MOUNT	..2
65	O911776-0	2	SQUARE NUT-REAR MOUNT	..2
66	O309484-0	4	HEX. SCREW 3/8-16UNCx1-1/4"	..2
67	O319453-0	4	WASHER	..2
70	O911778-0	2	WASHER, REAR MOUNT	.1
72	O313623-0	2	LOCK NUT, REAR MOUNT	.1
77	2178504-0	2	COVER	.1
78	2178833-M	1	HOUSING FLYWHEEL MERCURY ASSY. (RAL9006)	.1



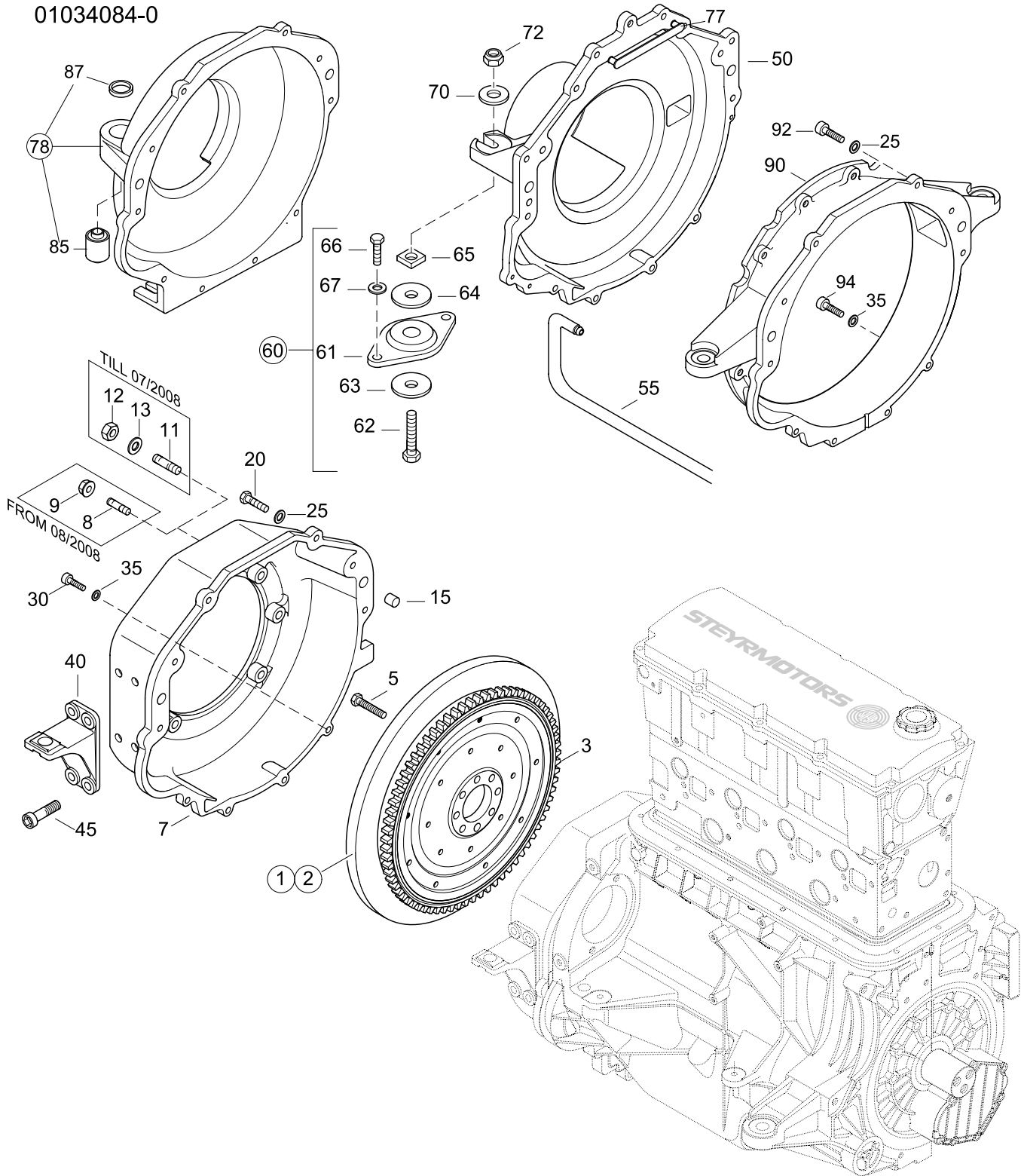


TA 0103

94 MARINE
TURBO DIESEL
+ SOLAS

FLYWHEEL, FLYWHEEL HOUSING

01034084-0



FLYWHEEL, FLYWHEEL HOUSING	
-----------------------------------	---

01034084-0

Pos.	Part.-No.	Qty	Designation	Step
85	2178876-2	2	SINENT BLOCK F. FLYWHEEL HOUSING	.2
87	2178877-0	2	WASHER-REAR MOUNT-LOWER	.2
90	2178052-9	1	HOUSING FLYWHEEL SAE 4 (RAL9006)	.1
92	3860149-0	5	HEX.SCR.ISO4762-M10x40-8.8-FLZNNC-720H-L	.1
94	9000064-0	4	HEX.SCR.ISO 4762-M8x35-8.8-FLZNNC-720H-L	.1



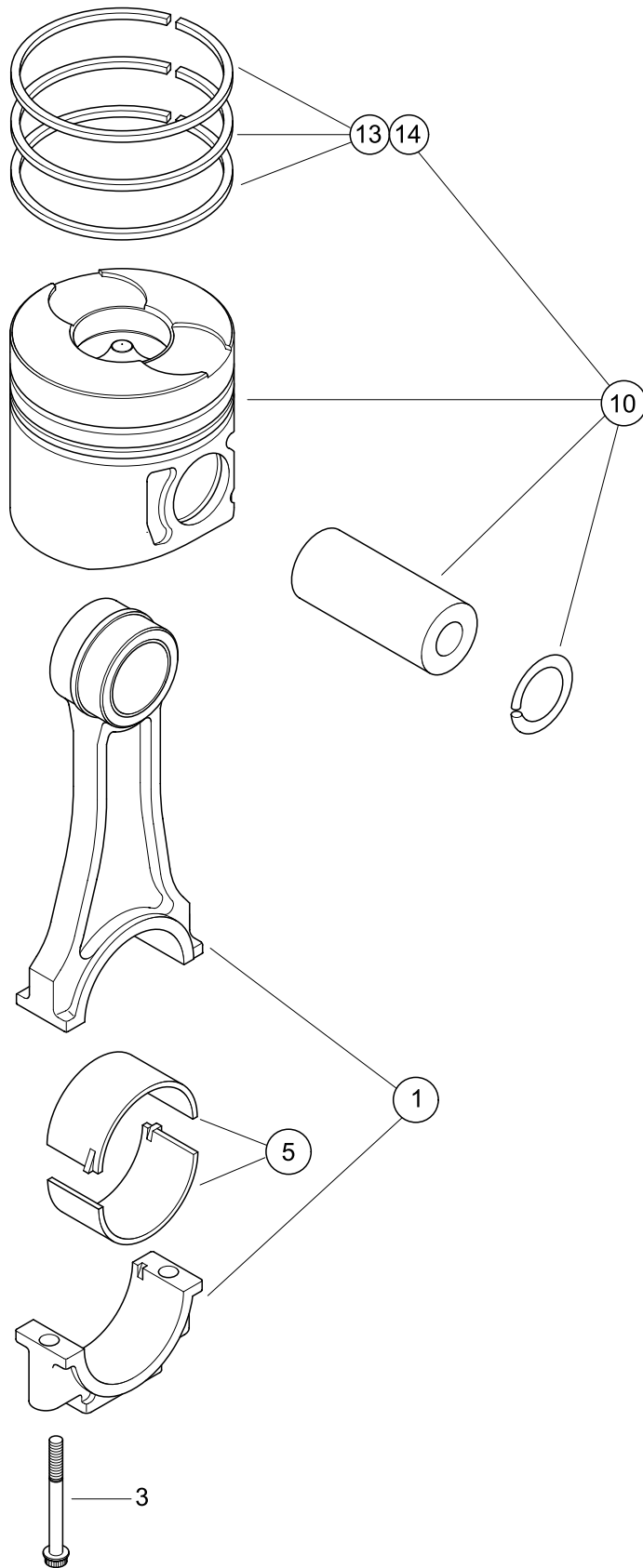


TA 0104

94 MARINE
TURBO DIESEL
+ SOLAS

PISTON, RINGS AND PIN, CONNECTION ROD

01044084-0



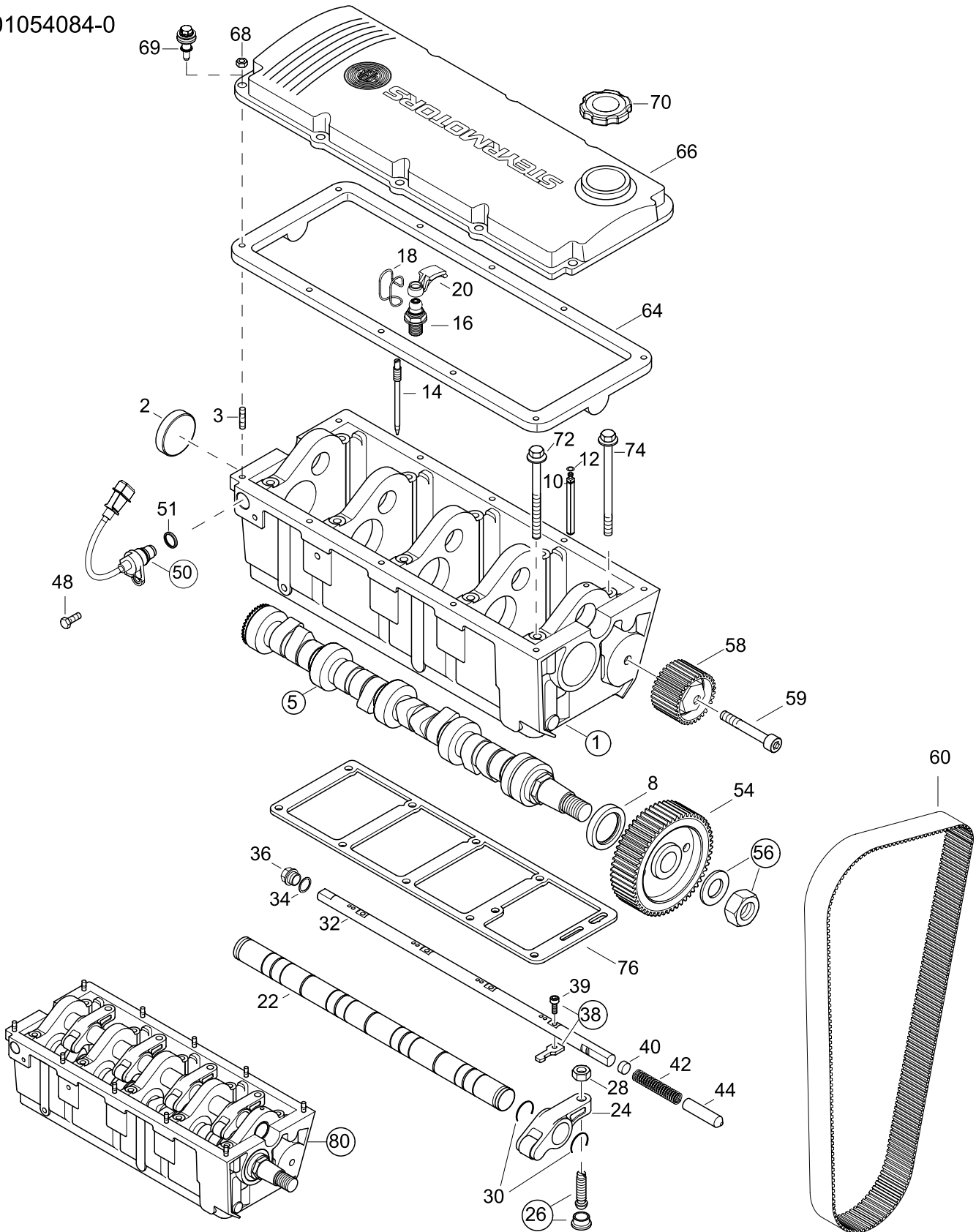


TA 0105

94 MARINE
TURBO DIESEL
+ SOLAS

CAMSHAFT, CAMSHAFT HOUSING

01054084-0



CAMSHAFT, CAMSHAFT HOUSING

94 MARINE
 TURBO DIESEL
 + SOLAS

01054084-0

Pos.	Part.-No.	Qty	Designation	Step
1	Z002407-0	1	CAMSHAFT HOUSING ASSY. (RAL9006)	.1
2	2178083-0	1	CORE HOLE PLUG 50-7	.2
3	2309101-0	10	STUD DIN 835-M6x25-A2-70 -->482300551	.2
5	2203267-6	1	CAMSHAFT ASSY.	.1
8	2172086-1	1	ROTARY SHAFT SEAL	.1
10	2178486-1	1	AXLE SUPPORT	.1
12	2178498-0	1	QUAD RING 1,78x5,28	.1
14	2177513-2	1	GUIDE PIN CONTROL RACK	.1
16	2174546-2	8	VALVE TAPPET ADJ. SCREW ASSY.	.1
18	2174552-0	8	RETAINING SPRING	.1
20	2177139-1	8	CAM FOLLOWER ASSY.	.1
22	2173694-1	1	ROCKER ARM SHAFT ASSY.	.1
24	Z002094-0	4	ROCKER ARM ASSY. (SPARE PART)	.1
26	Z002010-0	4	TAPPET ADJUSTER ASSY.	.1
28	3871310-0	4	HEX.NUT DIN 934-M10x1-10-G	.1
30	2174036-0	8	CRESCENT RING 28x1,5	.1
32	2203289-0	1	CONTROL ROD	.1
34	3098031-0	1	SEALING RING DIN 7603-A26x31x1,5-CU	.1
36	3962043-0	1	PLUG DIN7604-C-M26x1,5-ST-FLZNNC-720H-L	.1
38	Z002009-0	4	CONTROL LINK & BOLT	.1
39	3860140-0	1	HEX.SOCK. SCR. ISO 4762-M5x20-LH-10.9-BR	.2
40	2203337-0	1	SPACER	.1
42	2203338-0	1	SPRING, CONTROL ROD	.1
44	2203460-0	1	BOLT	.1
48	3800238-0	1	HEX.HD.SCR. ISO 4017-M6x12-A4-70	.1
50	2176734-2	1	REVOLUTION SENSOR	.1
51	2176729-0	1	O-RING 17,17 x 1,78	.2
54	2177642-0	1	TIMING BELT PULLEY CAMSHAFT	.1
56	Z002011-0	1	NUT & WASHER, CAMSHAFT PULLEY	.1
58	2178548-5	1	IDLER PULLEY ASSY.	.1
59	3860155-0	1	SCR. ISO 4762-M10x70-10.9-FLZNNC-720H-L	.1



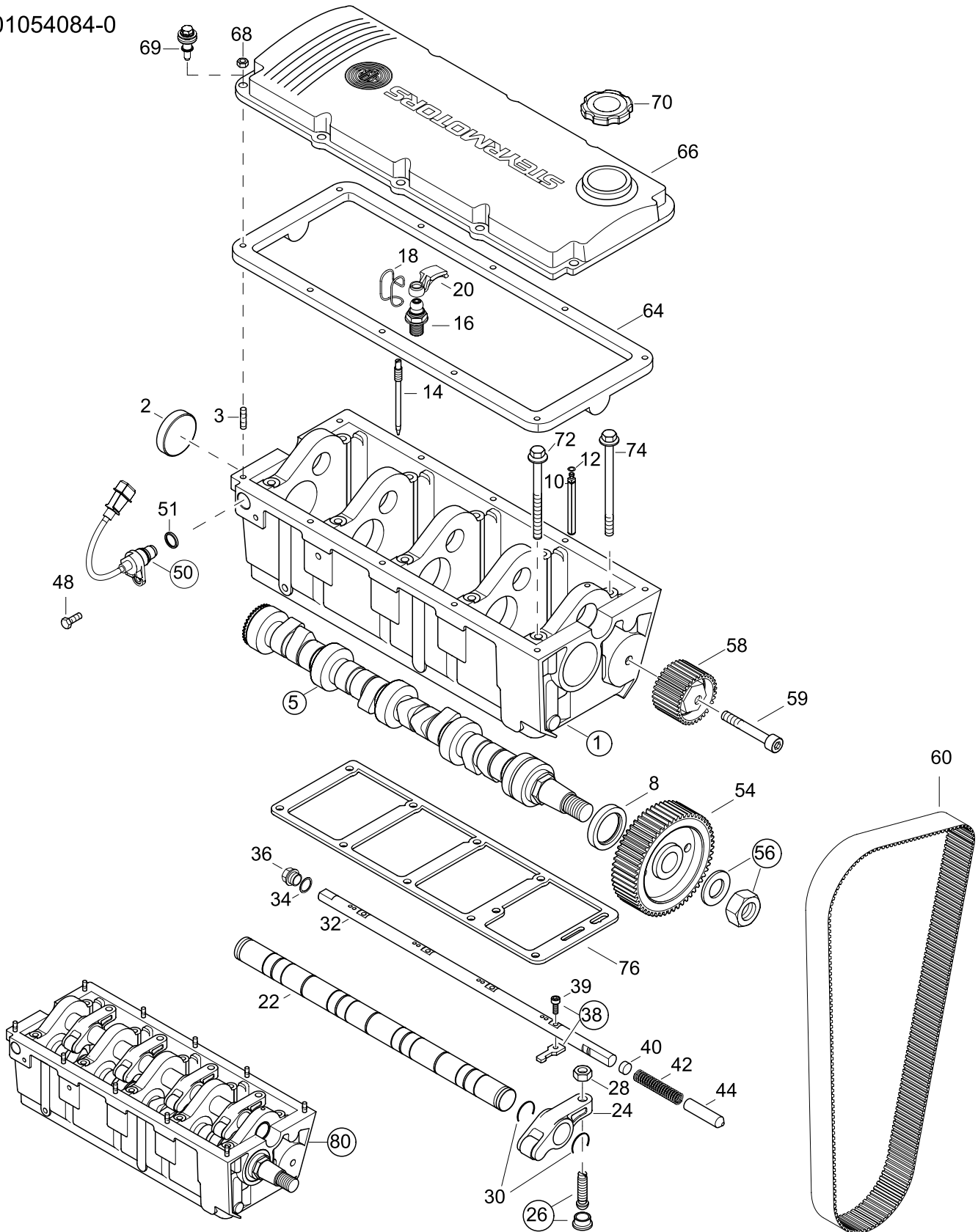


TA 0105

94 MARINE
TURBO DIESEL
+ SOLAS

CAMSHAFT, CAMSHAFT HOUSING

01054084-0



CAMSHAFT, CAMSHAFT HOUSING	94 MARINE <small>TURBO DIESEL</small> + SOLAS
-----------------------------------	---

01054084-0

Pos.	Part.-No.	Qty	Designation	Step
60	2178073-1	1	TIMING BELT	.1
64	2040184-0	1	VALVE-COVER GASKET	.1
66	2203725-9	1	VALVE COVER, SILVER	.1
68	3880049-0	10	HEX.FLANGE NUT EN 1661-M6-A4-70 -->482300551	.1
69	2040575-0	10	SCREW, COVER ACOUSTIC DECOUPLED 482300552-->	.1
70	2203509-0	1	FILLER CAP ENGINE OIL W. SEALING RING	.1
72	9000248-1	5	BOLT EN1665-M8x110-10.9-FLZNNC-720H-L	.1
74	9000249-1	5	HEX.BOL.EN1665-M8x130-10.9-FLZNNC-720H-L	.1
76	2203390-3	1	SEAL CAMSHAFT HSG - CYL.BLOCK	.1
80	Z002407-1	1	PART. CAMSHAFT HSG POS. 1 - 44 (RAL9006)	.1



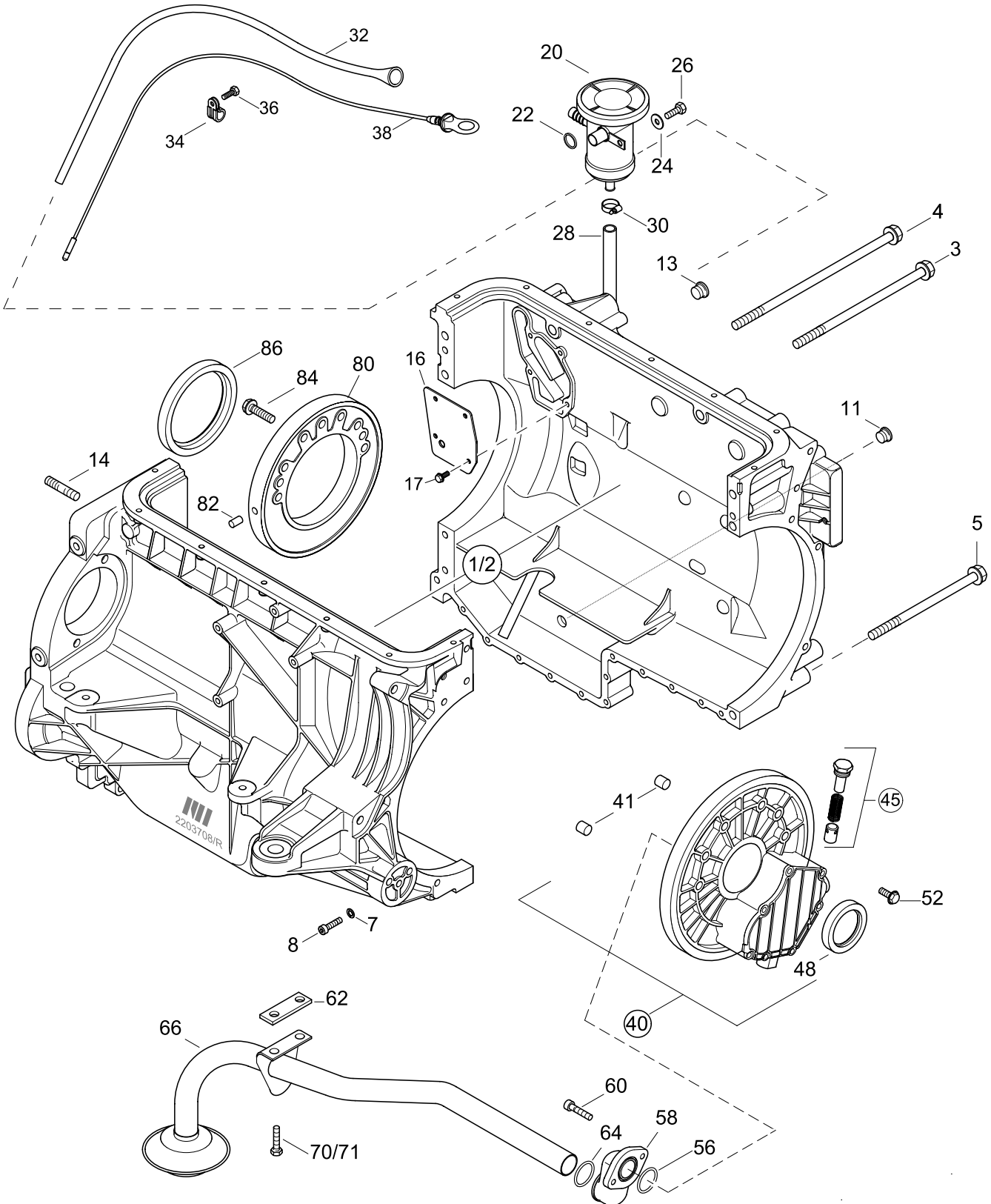


TA 0106

94 MARINE
TURBO DIESEL
+ SOLAS

OILPUMP, OILPIPE, OILPAN

01064084-0



OILPUMP, OILPIPE, OILPAN

94 MARINE
 TURBO DIESEL
 + SOLAS

01064084-0

Pos.	Part.-No.	Qty	Designation	Step
1	Z002424-0	1	ENGINE HSG ASSY. -->482330249	.1
2	Z024014-0	1	ENGINE HSG ASSY. 482330250-->	.1
3	9000464-0	2	HEX.BOLT EN1665-M10x200-8.8-FLZNNC-720-L	.2
4	9000463-0	2	BOLT EN1665-M10x250-8.8-FLZNNC-720H-L	.2
5	9000392-0	3	BOLT EN1665-M10x160-8.8-FLZNNC-720H-L	.2
7	3932008-0	11	SP. WASHER DIN 137-B6-FST-FLZNNC-480H	.2
8	3862352-0	11	SCR. ISO 4762-M6x50-8.8-FLZNNC-720H-L	.2
11	9000588-0	1	SCR.PLUG WITH RUBBER SEAL M16x1,5	.2
13	9000590-0	1	SCR.PLUG WITH RUBBER SEAL M22x1,5	.2
14	9000000-0	1	STUD DIN 939-M8x25-A2-70	.2
16	2203738-0	1	COVER PRE OIL SEPARATOR	.2
17	9000287-0	4	BOLT EN1665-M6x12-8.8-FLZNNC-720H-L	.2
20	Z002051-0	1	OIL SEPARATOR	.1
22	2178310-1	1	O-RING 17x3,53	.1
24	9000012-0	1	WASHER ISO 7093-6.4-140HV-A2	.1
26	3800221-0	1	HEX.HD.SCR. ISO 4017-M6x20-A2-70	.1
28	2178287-0	1	HOSE, OIL DRAIN	.1
30	2174405-0	2	HOSE CLAMP 10-16/7,5	.1
32	2203757-0	1	PIPE OIL-DIPSTICK	.1
34	2178566-0	1	PIPE CLAMP RSGU1.15/15-W5	.1
36	3800233-0	1	HEX.HD.SCR. ISO 4017-M6x16-A4-70	.1
38	2203751-0	1	OIL DIP STICK ASSY	.1
40	Z002429-0	1	OIL PUMP ASSY. (RAL9006)	.1
41	2170298-0	2	FITTING SLEEVE	.2
45	Z002005-6	1	RELIEF VALVE, OIL PUMP 4 CYL.	.2
48	2170276-1	1	ROTARY SHAFT SEAL	.2
52	9000278-0	6	BOLT EN1665-M8x35-8.8-FLZNNC-720H-L	.1
56	2040153-0	1	O-RING 25.12x1.78	.1
58	2040004-Z	1	OIL SUCTION MANIFOLD	.1
60	3862320-0	2	SCR. ISO 4762-M6x20-8.8-FLZNNC-720H-L	.1
62	2203513-1	1	SPACER, PIPE OIL SUCTION -->48223068	.1



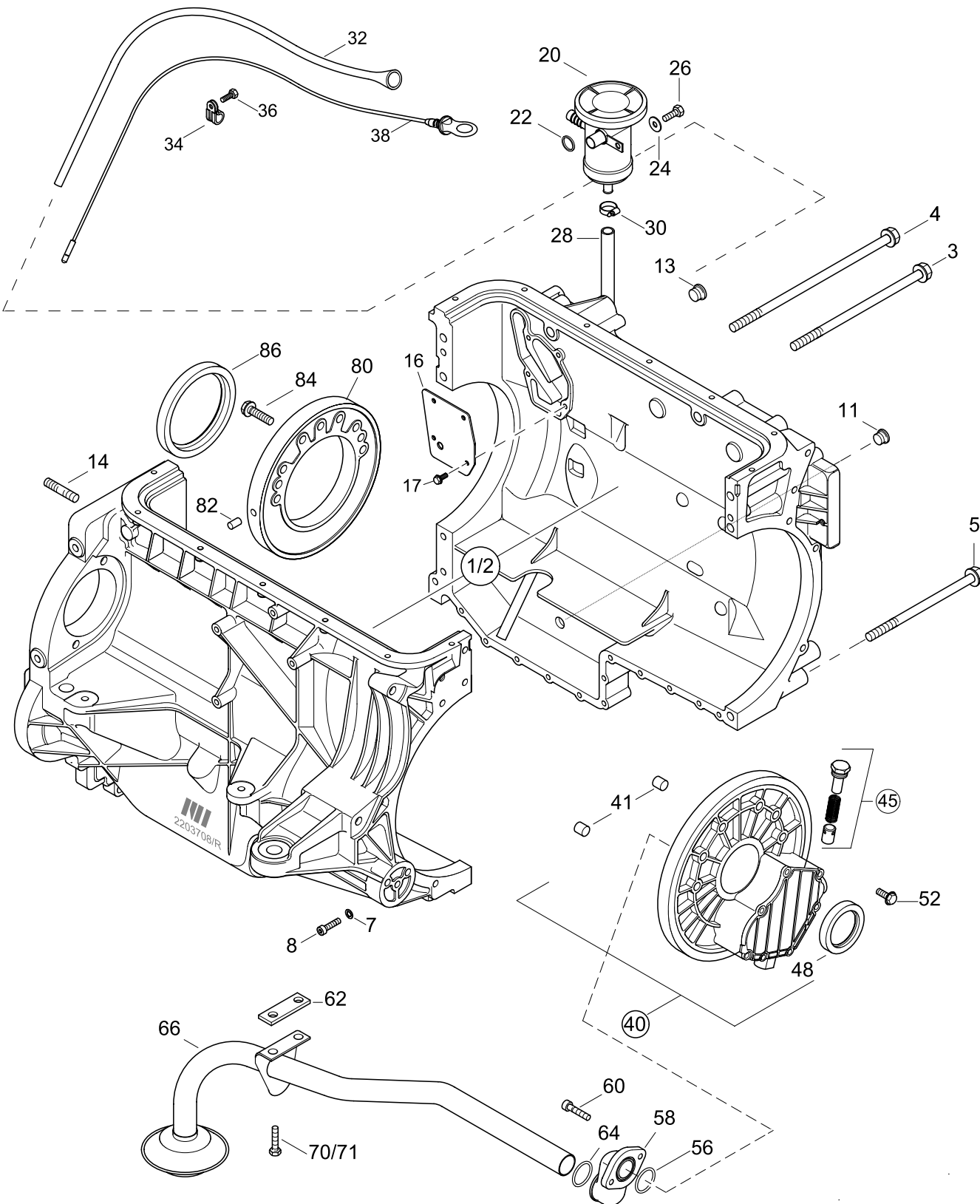


TA 0106

94 MARINE
TURBO DIESEL
+ **SOLAS**

OILPUMP, OILPIPE, OILPAN

01064084-0



OILPUMP, OILPIPE, OILPAN	94 MARINE <small>TURBO DIESEL</small> + SOLAS
--------------------------	---

01064084-0

Pos.	Part.-No.	Qty	Designation	Step
64	2173705-1	1	O-RING 21,82x3,53	.1
66	2203718-1	1	PIPE OIL SUCTION	.1
70	3802321-0	2	HEX.SCR.ISO 4017-M6x16-8.8-FLZNNC-720H-L -->48223068	.1
71	9000287-0	2	BOLT EN1665-M6x12-8.8-FLZNNC-720H-L 48233069-->	.1
80	2172855-1	1	SUPPORT RING, REAR	.1
82	3901416-0	1	PARALLEL PIN ISO 2338-8m6x16-ST	.1
84	9000278-0	7	BOLT EN1665-M8x35-8.8-FLZNNC-720H-L	.1
86	2172289-1	1	ROTARY SHAFT SEAL	.1





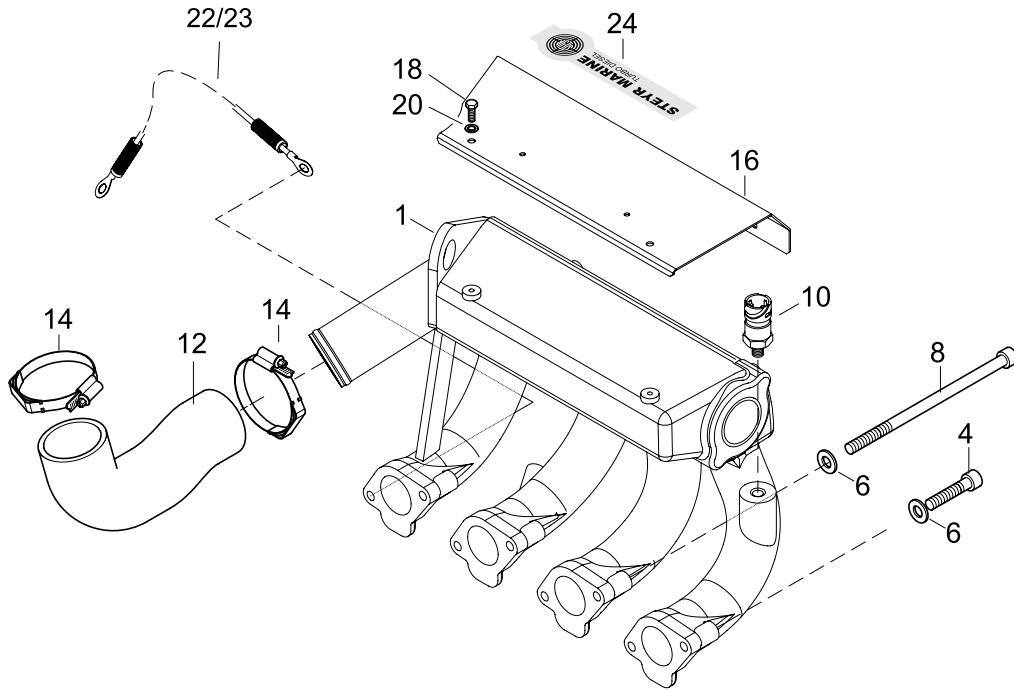
TA 0108

94 MARINE
TURBO DIESEL
+ SOLAS

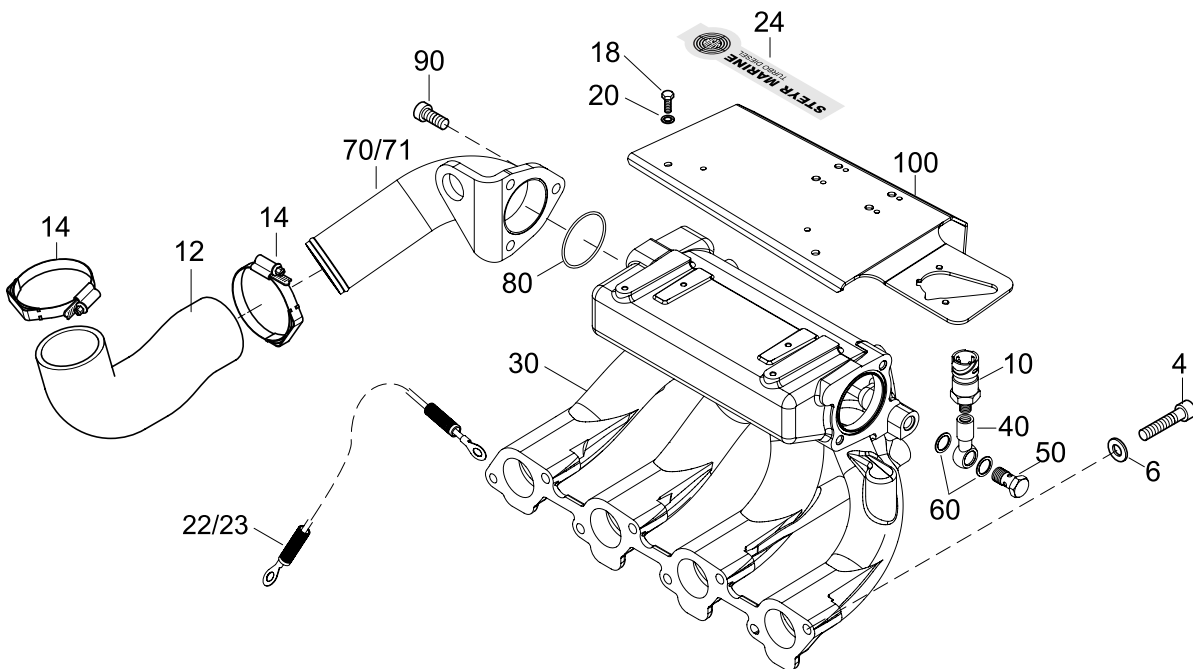
INTAKE MANIFOLD

01084034-0

TILL --> 482309999



FROM 482310001 -->



INTAKE MANIFOLD	94 MARINE TURBO DIESEL + SOLAS
------------------------	--

01084034-0

Pos.	Part.-No.	Qty	Designation	Step
1	Z002431-0	1	INTAKE MANIFOLD ASSY.(RAL9006)	.1
4	3862447-0	6	SCR. ISO 4762-M8x45-8.8-FLZNNC-720H-L	.1
6	3930103-0	8	WASHER ISO 7089-8-A4-200HV	.1
8	9000444-0	2	HEX.SOCK. SCR. ISO 4762-M8x180-8.8 DAC	.1
10	2206305-0	1	PRESSURE SENSOR 1-8 27 NPT	.1
12	2203830-0	1	CHARGE AIR HOSE	.1
14	2179050-0	2	HOSE CLAMP WITH SPRING 40-60/9	.1
16	2203838-0	1	COVERPLATE-INTAKE MANIFOLD	.1
18	3800304-0	4	HEX.HD.SCR. ISO 4017-M5x12-A2-70	.1
20	3930069-0	4	WASHER ISO 7089-5-A4-200HV	.1
22	2206210-1	1	GROUND WIRE -->482290263	.1
23	2178968-0	1	GROUND WIRE 482290264-->	.1
24	2203799-5	1	STICKER STEYR 94 MARINE TURBO DIESEL	.1
30	Z024005-0	1	INTAKE MANIFOLD ASSY.(RAL9006)	.1
40	2203772-0	1	BRACKET OIL PRESSURE SENSOR	.1
50	11868	1	HO.SCR.M12x1,5-DIN7643-8-3-FLZNNC-720H-L	.1
60	3098013-0	2	SEALING RING DIN 7603-A12x18-CU	.1
70	2179808-0	1	CONNECTING PIECE AIR INTAKE	.1
71	2204059-0	1	CONNECTING PIECE AIR INTAKE	.1
80	2179524-0	1	O-RING 54x2	.1
90	3862428-0	3	HEX.SCR.ISO4762-M8x25-8.8-FLZNNC-720H-L	.1
100	702007	1	COVERPLATE, INTAKE MANIFOLD	.1



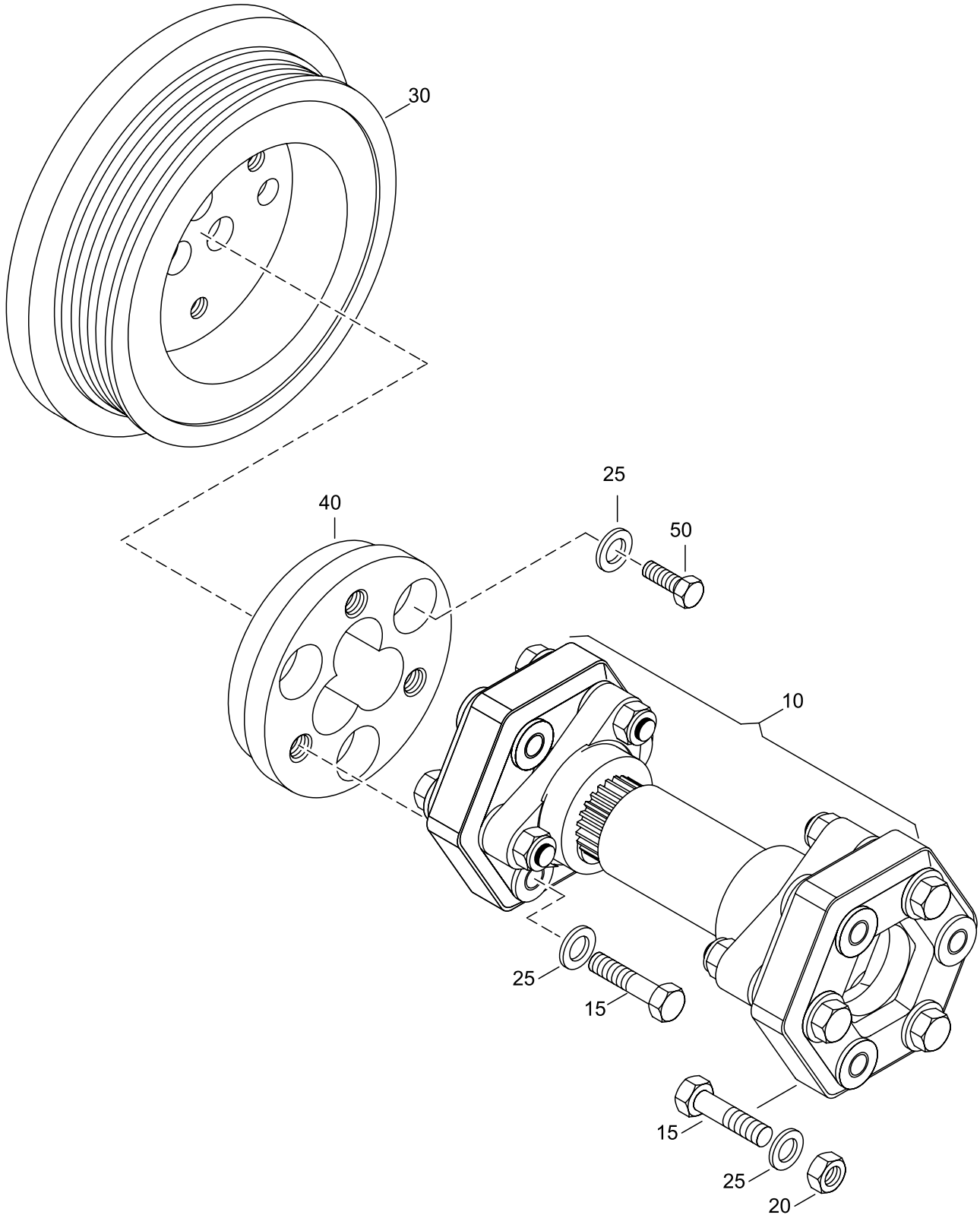


TA 0109

94 MARINE
TURBO DIESEL
+ SOLAS

POWER TAKE OFF FRONT

01094084-0



POWER TAKE OFF FRONT



01094084-0

Pos.	Part.-No.	Qty	Designation	Step
10	2205329-0	1	ELASTIC SHAFT L=130-158	.1
15	3802451-0	6	HEX.SCR.ISO 4017-M8x50-8.8-FLZNNC-720H-L	.1
20	3888722-0	3	HEX.NUT,PREVG.TORQUE ISO 10511-M8-A2C	.1
25	3930103-0	9	WASHER ISO 7089-8-A4-200HV	.1
30	2203779-0	1	TORSIONAL VIBRATION DAMPER-PTO	.1
40	2203787-0	1	FLANGE	.1
50	3802432-0	3	SCR. ISO 4017-M8x30-8.8-FLZNNC-720H-L	.1



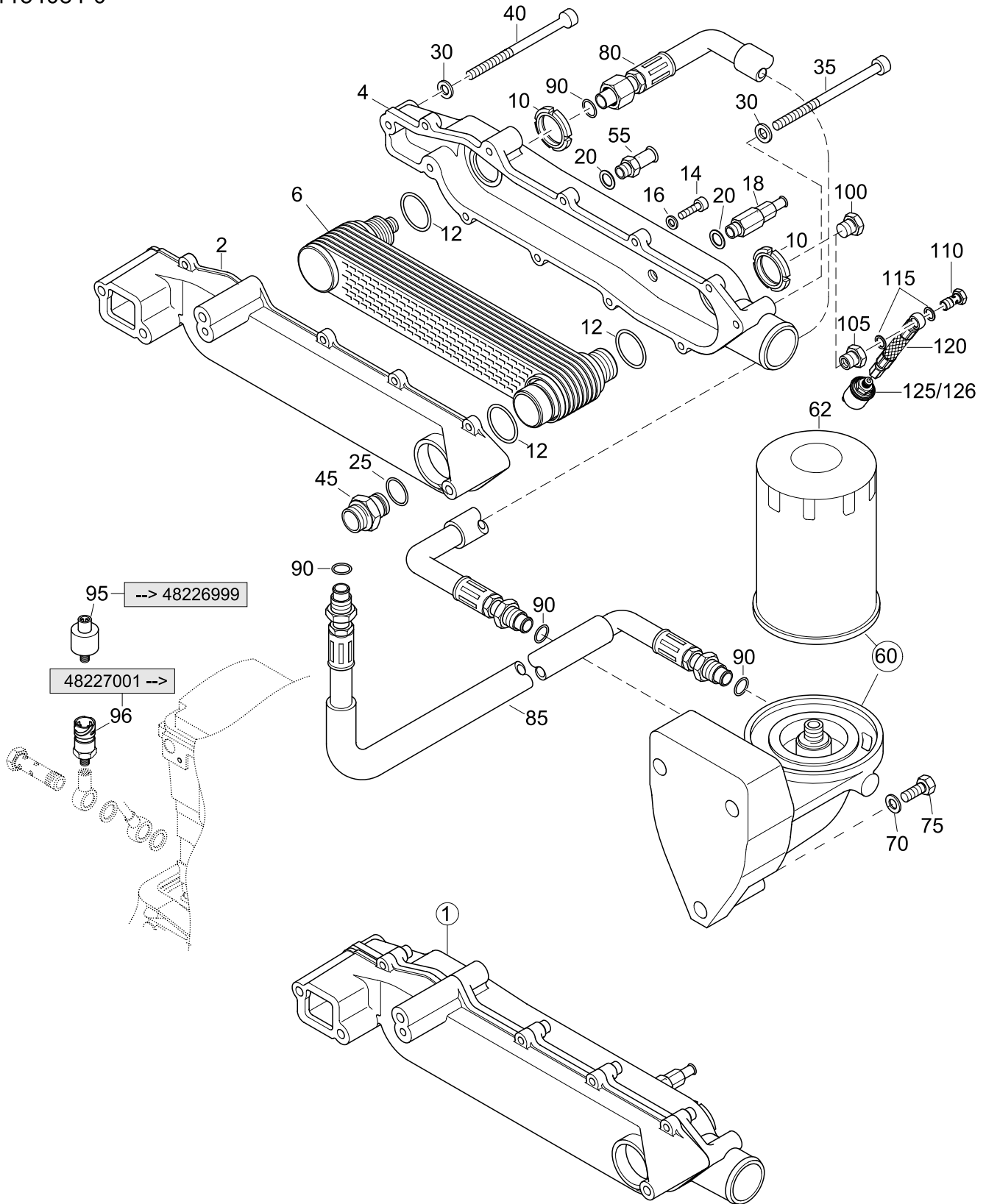


TA 0113

94 MARINE
TURBO DIESEL
+ SOLAS

OILCOOLER

01134084-0



OILCOOLER

94 MARINE
 TURBO DIESEL
 + SOLAS

01134084-0

Pos.	Part.-No.	Qty	Designation	Step
1	Z002402-0	1	OIL COOLER ASSY. 4 CYL. MARINE (RAL9006)	.1
2	2203260-9	1	HOUSING OIL COOLER (RAL9006)	.2
4	2203262-9	1	COVER OIL COOLER (RAL9006)	.2
6	2178632-1	1	OIL COOLER CARTRIDGE	.2
10	9000315-0	2	GR.NU.DIN70852-M30x1.5-14H-FLZNNC-720H-L	.2
12	2177741-0	3	O-RING 32,92 x 3,53	.2
14	3862327-0	7	SCR. ISO 4762-M6x25-8.8-FLZNNC-720H-L	.2
16	3932008-0	7	SP. WASHER DIN 137-B6-FST-FLZNNC-480H	.2
18	2178598-0	1	DRAIN COCK ASSY.	.2
20	3098013-0	1	SEALING RING DIN 7603-A12x18-CU	.2
25	2177742-1	1	O-RING 25 x 3,53	.1
30	3930103-0	5	WASHER ISO 7089-8-A4-200HV	.1
35	9000312-0	2	HEX.SCR.ISO4762-M8x120-8.8-FLZNNC-720H-L	.1
40	3860147-0	3	SCR. ISO 4762-M8x110-8.8-FLZNNC-720H-L	.1
45	Z002127-0	1	SPARE P. BUSHING, OIL COOLER	.1
55	2178698-0	1	NIPPLE HEATER ON OILCOOLER (ACCES.)	.1
60	Z002403-0	1	OIL FILTER & COVER ASSY. (RAL9006)	.1
62	2178582-1	1	OIL FILTER CARTRIDGE	.2
70	3930103-0	3	WASHER ISO 7089-8-A4-200HV	.1
75	3862452-0	3	HEX.SCR.ISO 4762-M8x50-8.8-FLZNNC-720H-L	.1
80	2203740-0	1	HOSE, FILTER-OIL COOLER	.1
85	2203741-0	1	HOSE, OILPUMP TO FILTER	.1
90	2176170-0	4	O-RING 15x2	.1
95	2206122-0	1	OIL PRESSURE SENSOR -->48226999	.1
96	2206305-0	1	PRESSURE SENSOR 1-8 27 NPT 48227001-->	.1
100	9000290-0	1	SCREW PLUG 1/4-18 NPTF	.1
105	2203819-0	1	SCREW PLUG 1/4-18 NPTF - M10x1	.1
110	9000010-1	1	HOLLOW SCREW M10x1 DIN 7643-6-3-S	.1
115	3098011-0	2	SEALING RING DIN 7603-A10x16-CU	.1
120	Z002405-0	1	HOSE OIL PRESSURE SENSOR (ACCESSORY)	.1
125	Z002640-0	1	OIL PRESSURE SENSOR 2-POLE (ACCESSORY)	.1



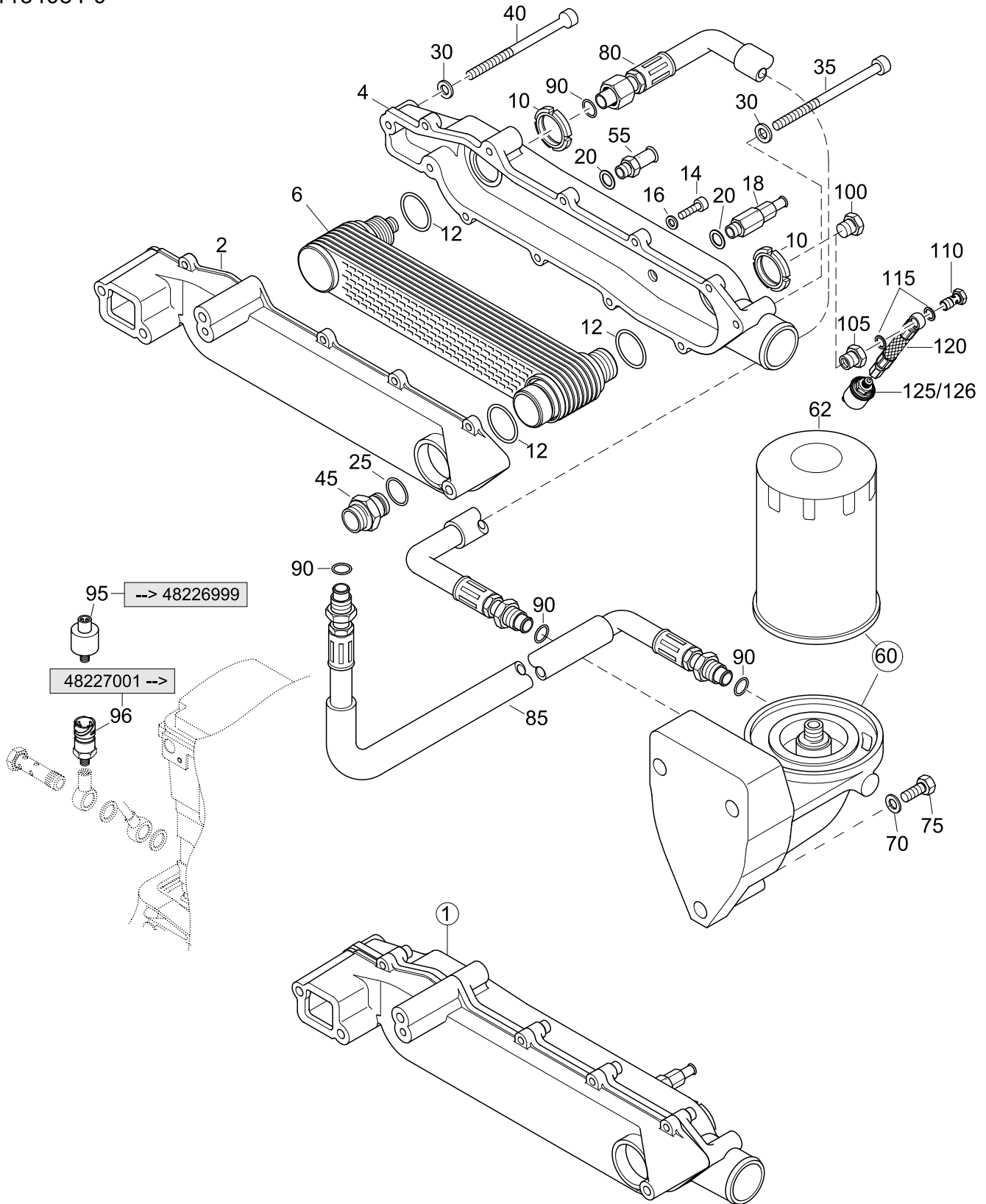


TA 0113

94 MARINE
TURBO DIESEL
+ SOLAS

OILCOOLER

01134084-0



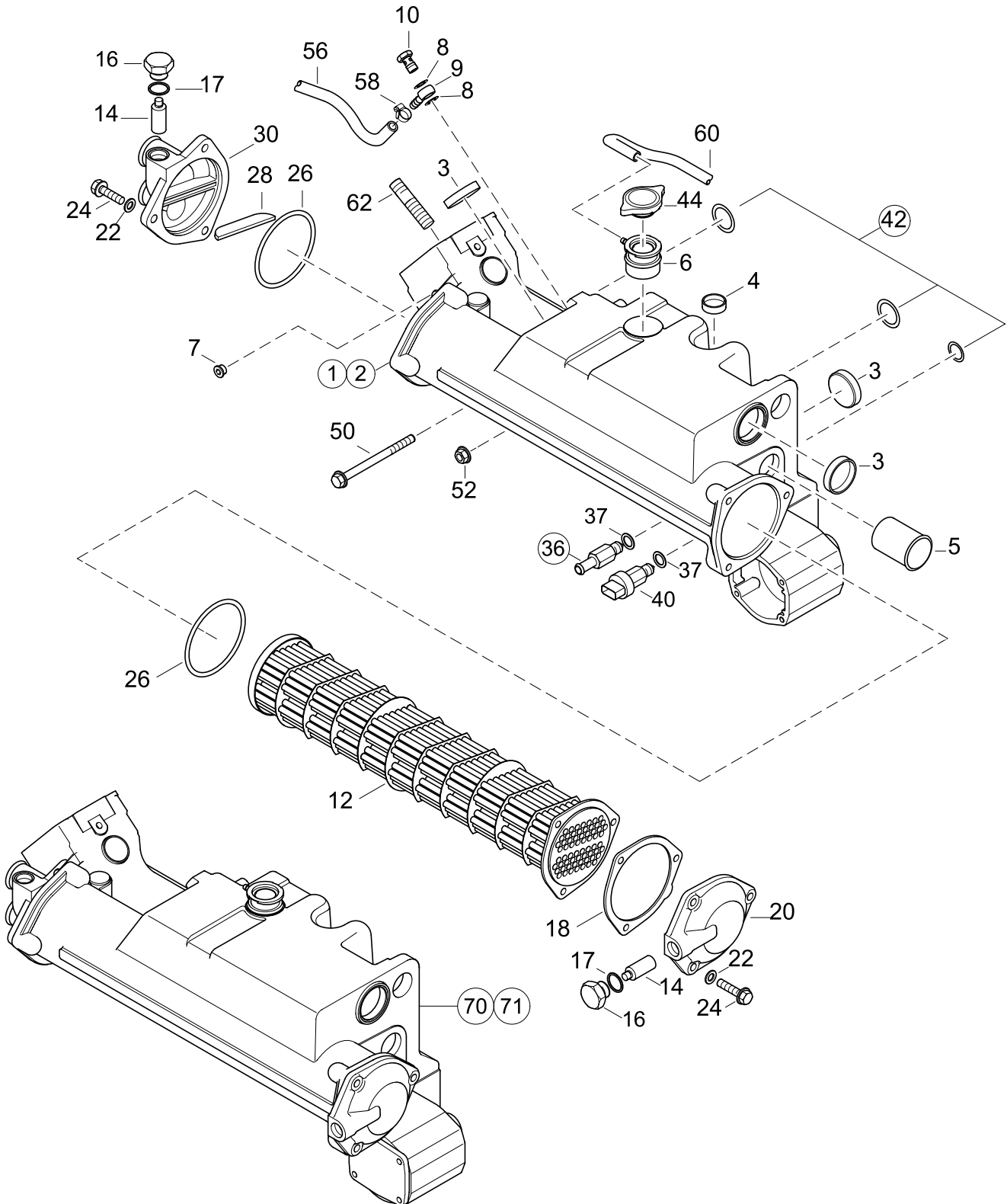


TA 0114

94 MARINE
TURBO DIESEL
+ SOLAS

EXHAUST, HEAT EXCHANGER -->482341169

01144084-0



EXHAUST, HEAT EXCHANGER -->482341169

94 MARINE
 TURBO DIESEL
 + SOLAS

01144084-0

Pos.	Part.-No.	Qty	Designation	Step
1	2203703-0	1	EXHAUST MANIFOLD ASSY. (RAL9006) -->48227163	.1
2	Z002433-0	1	EXHAUST MANIFOLD ASSY. (RAL9006) 48227164-->482341169	.1
3	2178112-0	3	CORE HOLE PLUG 40-8	..2
4	Z002048-0	9	CORE PLUG WITH O-RING	..2
5	2174617-0	1	PIPE FITTING	..2
6	2178331-0	1	FILLER NECK	..2
7	2170217-0	1	SCREW PLUG M10x1	.1
8	3098011-0	4	SEALING RING DIN 7603-A10x16-CU	.1
9	2174384-1	2	BANJO DN4 DIN 7642	.1
10	9000010-1	2	HOLLOW SCREW M10x1 DIN 7643-6-3-S	.1
12	2203704-0	1	HEATEXCHANGER	.1
14	2178413-1	2	ZINC ANODE	.1
16	Z002017-0	2	PLUG & SEAL FOR ZINC-ANODE	.1
17	3098020-0	1	SEALING RING DIN 7603-A18x22-CU	..2
18	2174155-1	1	GASKET, HEAT EXCHANGER COVER	.1
20	2173510-9	1	COVER HEAT EXCHANGER, FRONT (RAL9006)	.1
24	9000431-0	6	BOLT EN1665-M8x30-10.9-FLZNNC-720H-L	.1
26	2173636-0	2	O-RING 90x3	.1
28	2174073-0	1	SEAL FOR HEAT EXCHANGER COVER	.1
30	2177450-9	1	COVER HEAT EXCHANGER REAR (RAL9006)	.1
36	2178598-0	1	DRAIN COCK ASSY.	.1
37	3098013-0	2	SEALING RING DIN 7603-A12x18-CU	.1
40	2174623-3	1	COOLANT TEMPERATURE SENSOR	.1
42	Z002489-0	1	SEAL KIT, EXH.MANIF - BLOCK (O-RINGS)	.1
44	2174693-7	1	FILLER CAP ENGINE COOLANT	.1
50	9000248-1	8	BOLT EN1665-M8x110-10.9-FLZNNC-720H-L	.1
52	3880049-0	2	HEX.FLANGE NUT EN 1661-M6-A4-70	.1
56	2178552-1	1	HOSE L=275mm	.1
58	2174405-0	2	HOSE CLAMP 10-16/7,5	.1
60	2174682-0	1	HOSE, OVERFLOW	.1
62	2203778-0	4	STUD HR-STEEL DIN 940-M8FOx25	.1



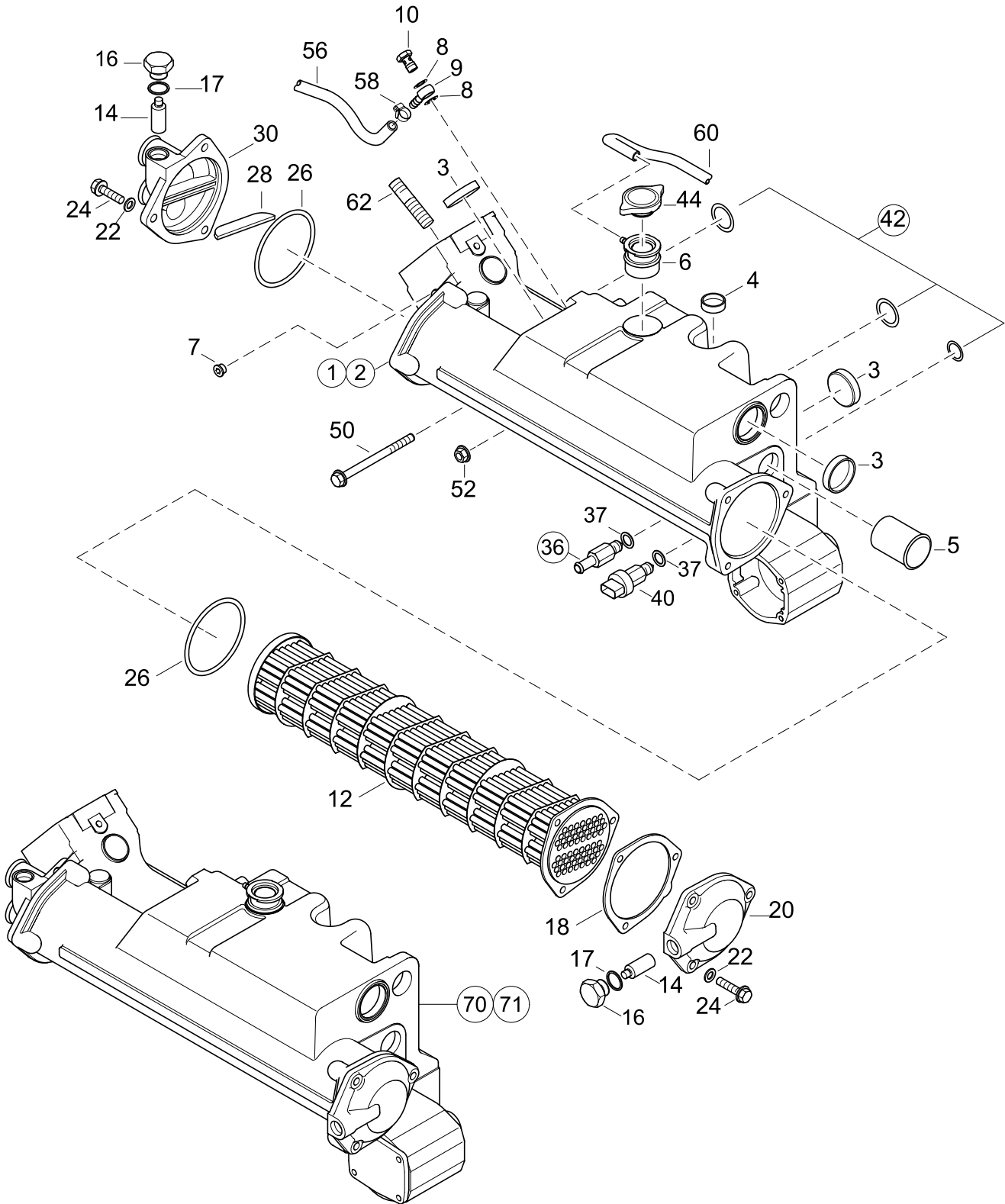


TA 0114

94 MARINE
TURBO DIESEL
+ SOLAS

EXHAUST, HEAT EXCHANGER -->482341169

01144084-0



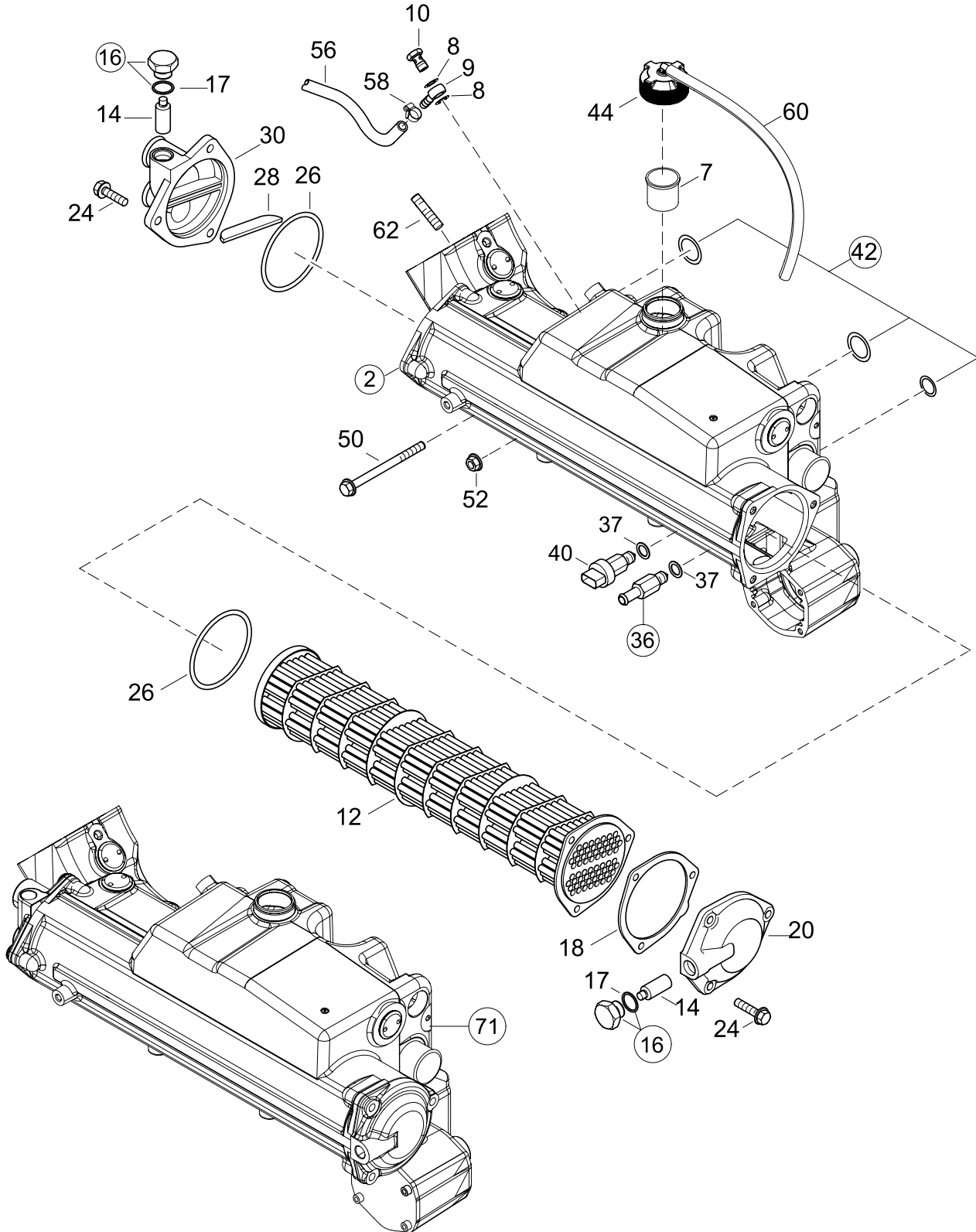


TA 0114

94 MARINE
TURBO DIESEL
+ SOLAS

EXHAUST, HEAT EXCHANGER 482341170-->

01144084-1



EXHAUST, HEAT EXCHANGER 482341170-->

94 MARINE
 TURBO DIESEL
 + SOLAS

01144084-1

Pos.	Part.-No.	Qty	Designation	Step
2	500160	1	EXHAUST MANIFOLD ASSY. (RAL9006)	.1
7	701659	1	BUSHING, FILLING LEVEL INDICATOR	.1
8	3098011-0	4	SEALING RING DIN 7603-A10x16-CU	.1
9	2174384-1	2	BANJO DN4 DIN 7642	.1
10	9000010-1	2	HOLLOW SCREW M10x1 DIN 7643-6-3-S	.1
12	2203704-0	1	HEATEXCHANGER	.1
14	2178413-1	2	ZINC ANODE	.1
16	Z002017-0	2	PLUG & SEAL FOR ZINC-ANODE	.1
17	3098020-0	1	SEALING RING DIN 7603-A18x22-CU	.2
18	2174155-1	1	GASKET, HEAT EXCHANGER COVER	.1
20	2173510-9	1	COVER HEAT EXCHANGER, FRONT (RAL9006)	.1
24	9000431-0	6	BOLT EN1665-M8x30-10.9-FLZNNC-720H-L	.1
26	2173636-0	2	O-RING 90x3	.1
28	2174073-0	1	SEAL FOR HEAT EXCHANGER COVER	.1
30	2177450-9	1	COVER HEAT EXCHANGER REAR (RAL9006)	.1
36	2178598-0	1	DRAIN COCK ASSY.	.1
37	3098013-0	2	SEALING RING DIN 7603-A12x18-CU	.1
40	2180773-0	1	TEMPERATURE SENSOR W. SEAL RING	.1
42	Z002489-0	1	SEAL KIT, EXH.MANIF - BLOCK (O-RINGS)	.1
44	2181153-0	1	RADIATOR CAP	.1
50	9000248-1	8	BOLT EN1665-M8x110-10.9-FLZNNC-720H-L	.1
52	3880049-0	2	HEX.FLANGE NUT EN 1661-M6-A4-70	.1
56	2178552-1	1	HOSE L=275mm	.1
58	2174405-0	2	HOSE CLAMP 10-16/7,5	.1
60	2174682-0	1	HOSE, OVERFLOW	.1
62	2203778-0	4	STUD HR-STEEL DIN 940-M8FOx25	.1
71	500161	1	EXH. MANIFOLD COMPLETE (RAL9006)	.1



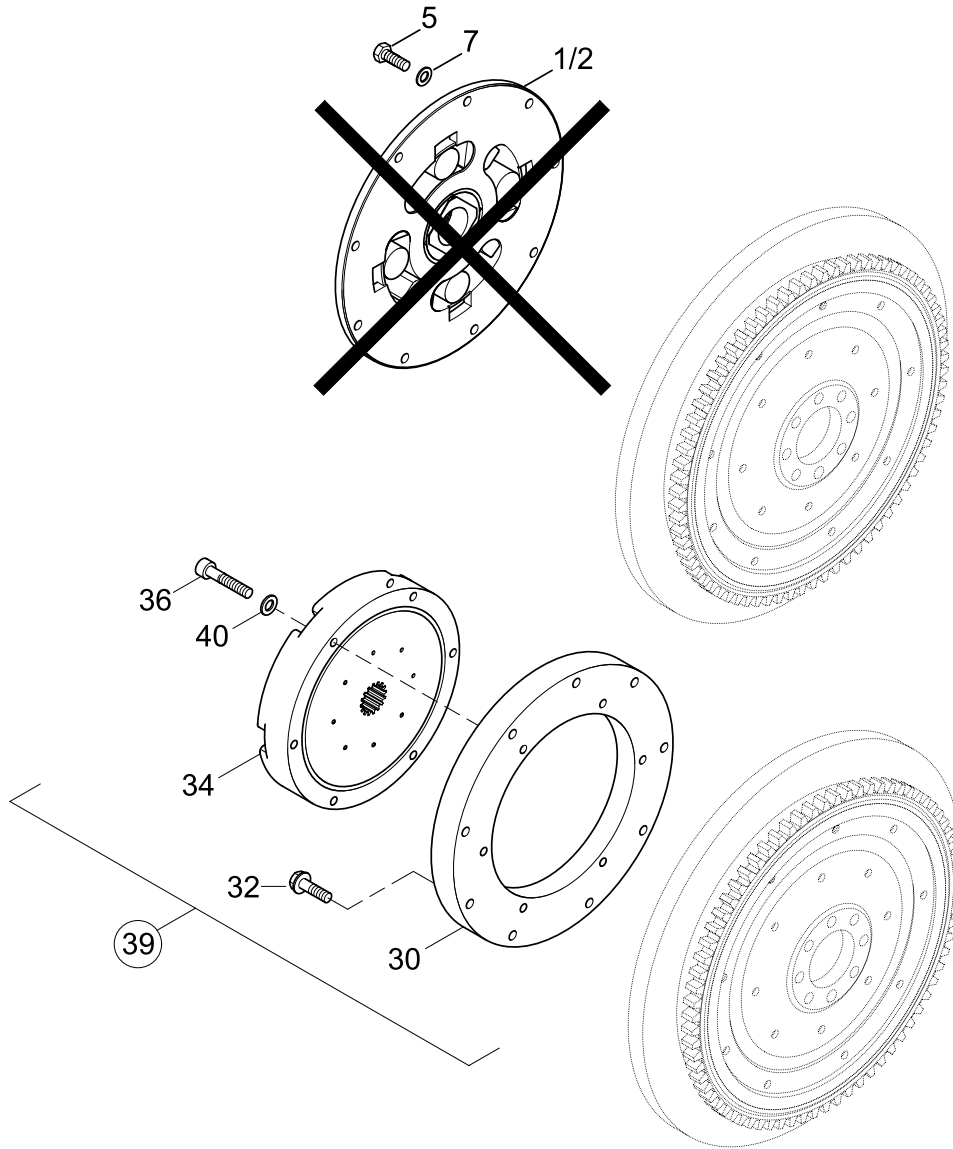


TA 0201

94 MARINE
TURBO DIESEL
+ SOLAS

COUPLER

02014084-1



COUPLER	94 MARINE TURBO DIESEL + SOLAS
----------------	--

02014084-1

Pos.	Part.-No.	Qty	Designation	Step
1	2178860-X	1	COUPLER 20/40-26T --> Z002066-V (ZF)	.1
2	2178860-Y	1	COUPLER 16/32-17T --> Z002066-J (NEWAGE)	.1
5	3802424-0	9	HEX.SCR. ISO4017-M8x25-8.8-FLZNNC-720H-L	.1
7	3930103-0	9	WASHER ISO 7089-8-A4-200HV	.1
30	2179163-0	1	ADAPTER RING, FLY WHEEL	.1
32	9000431-0	9	BOLT EN1665-M8x30-10.9-FLZNNC-720H-L	.1
34	2179164-0	1	COUPLER 20-40 26T	.1
36	9000520-0	6	HEX.SOCK. SCR. ISO 4762-M8x50-10.9-DAC	.1
39	Z002066-V	1	COUPLING KIT 20/40-26T F.GEAR & SCREWS	.1
40	3930103-0	6	WASHER ISO 7089-8-A4-200HV	.1



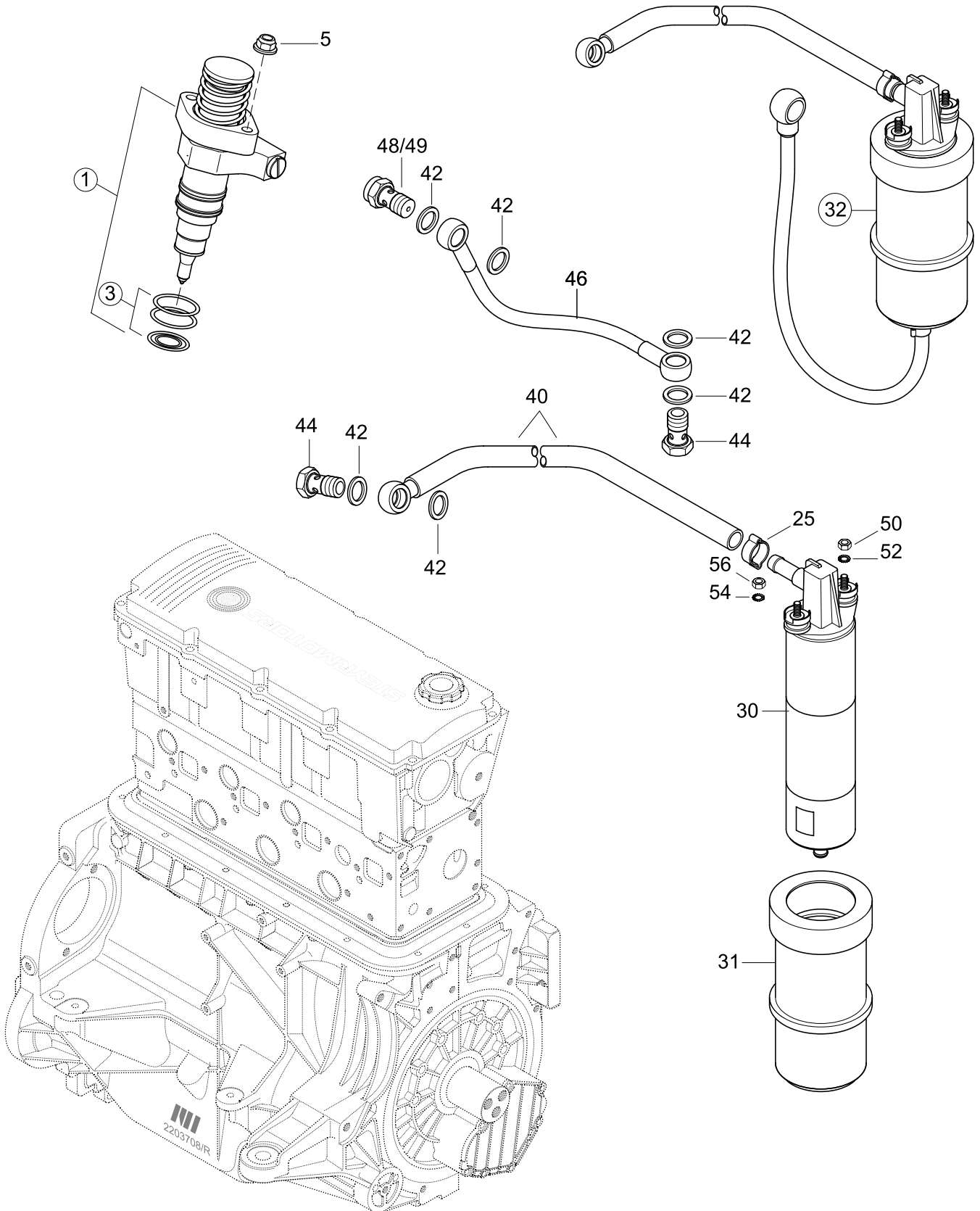


TA 0302

94 MARINE
TURBO DIESEL
+ **SOLAS**

FUEL PUMP, UNIT INJECTOR, PIPE

03024034-0



FUEL PUMP, UNIT INJECTOR, PIPE	94 MARINE TURBO DIESEL + SOLAS
---------------------------------------	--

03024034-0

Pos.	Part.-No.	Qty	Designation	Step
1	Z002030-5	4	UNIT INJECTOR & SEALINGS	.1
3	Z002031-0	1	SEAL KIT, UNIT INJECTOR	.2
5	9000050-0	8	HEX.FLANGE NUT DIN 6331-M8-10	.1
25	2178995-0	1	HOSE CLAMP 17,5mm	.1
30	2173396-4	1	FUEL PUMP 12V (WITH ISOLATING SLEEVE)	.1
31	2173396-1	1	ISOLATING SLEEVE FUEL PUMP	.1
32	Z002054-1	1	FUEL PUMP ASSY & LINES	.1
40	2203766-1	1	FUEL HOSE PUMP/BLOCK	.1
42	3098015-0	6	SEALING RING DIN 7603-A14x20-CU	.1
44	9000053-0	2	HO.SCR.M14x1.5-DIN7643-10-ZnNi8/An/T2	.1
46	2203776-0	1	FUEL LINE BLOCK-TANDEMCOOLER	.1
48	2178561-1	1	OVERFLOW VALVE FUEL -->48224082	.1
49	2178572-1	1	HOLLOW SCREW THROTTLED M14x1,5 48224083-->	.1
50	3870050-0	1	HEX.NUT ISO 4032-M5-A2-70	.1
52	9000040-0	1	TOOTHED LOCK WASHER DIN 6797-A5.3	.1
54	9000039-0	1	TOOTHED LOCK WASHER DIN 6797-A4.3	.1
56	3870051-0	1	HEX.NUT ISO 4032-M4-A4-70	.1



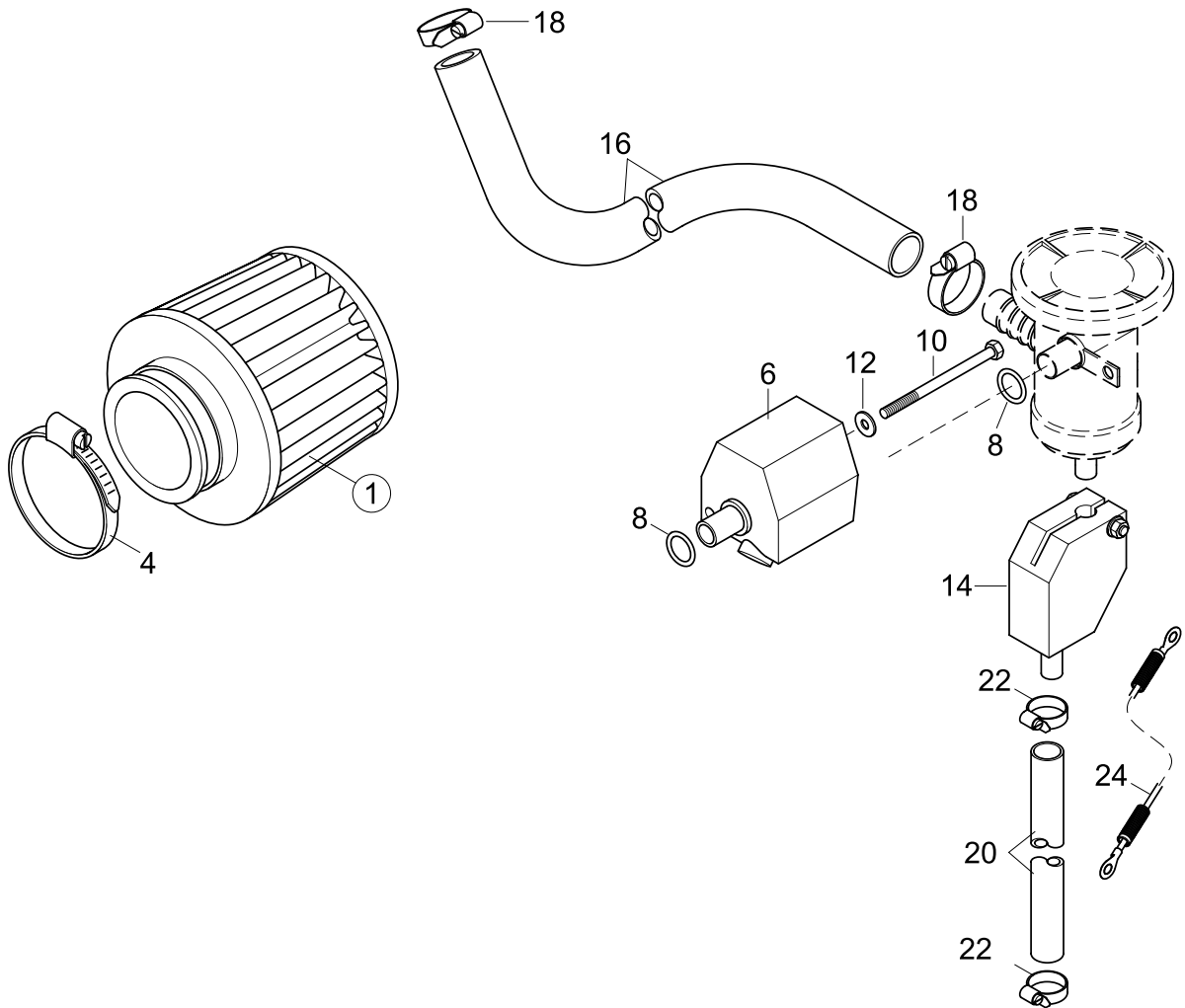


TA 0304

94 MARINE
TURBO DIESEL
+ SOLAS

AIR FILTER

03044034-0



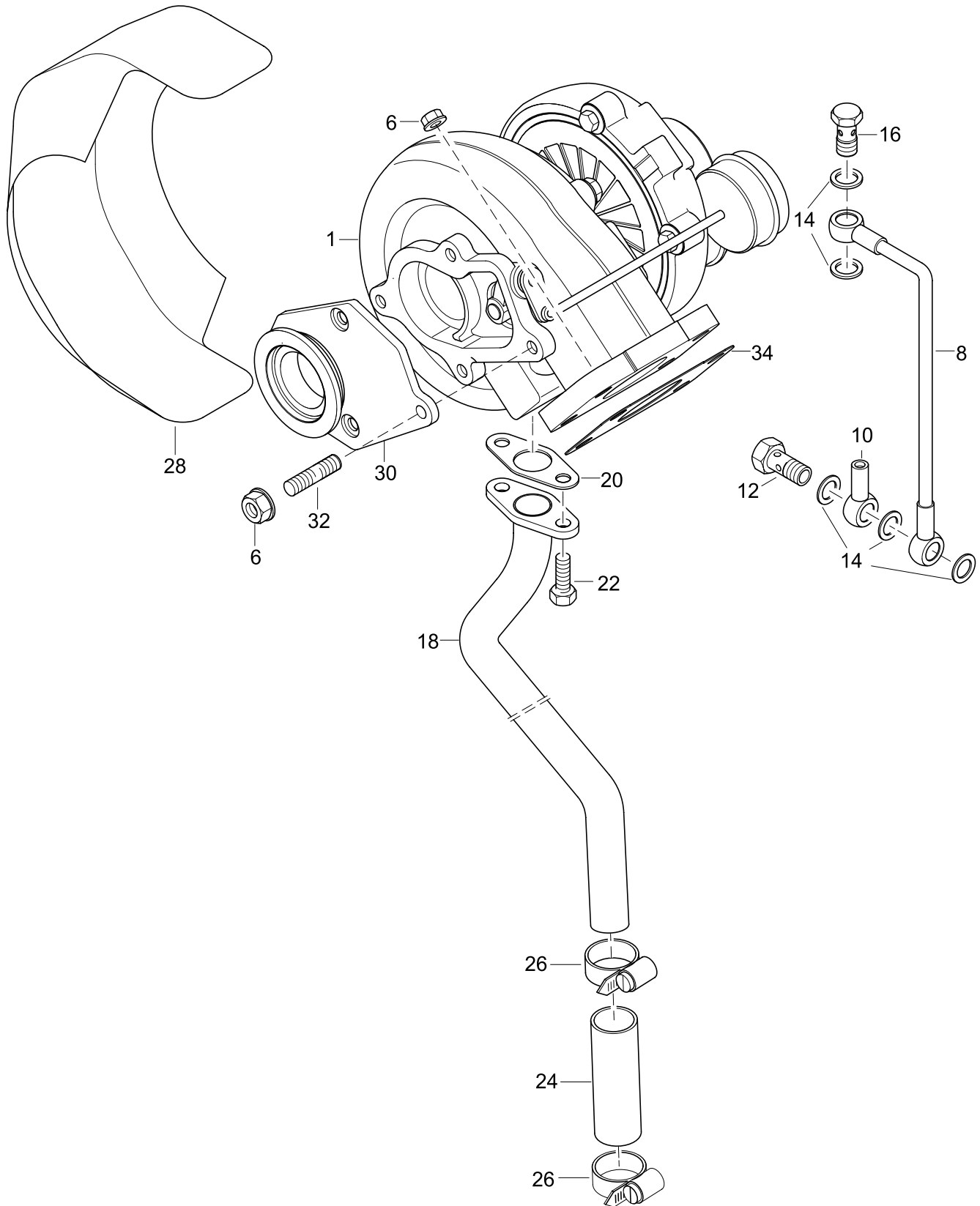


TA 0305

94 MARINE
TURBO DIESEL
+ SOLAS

TURBOCHARGER

03054034-0



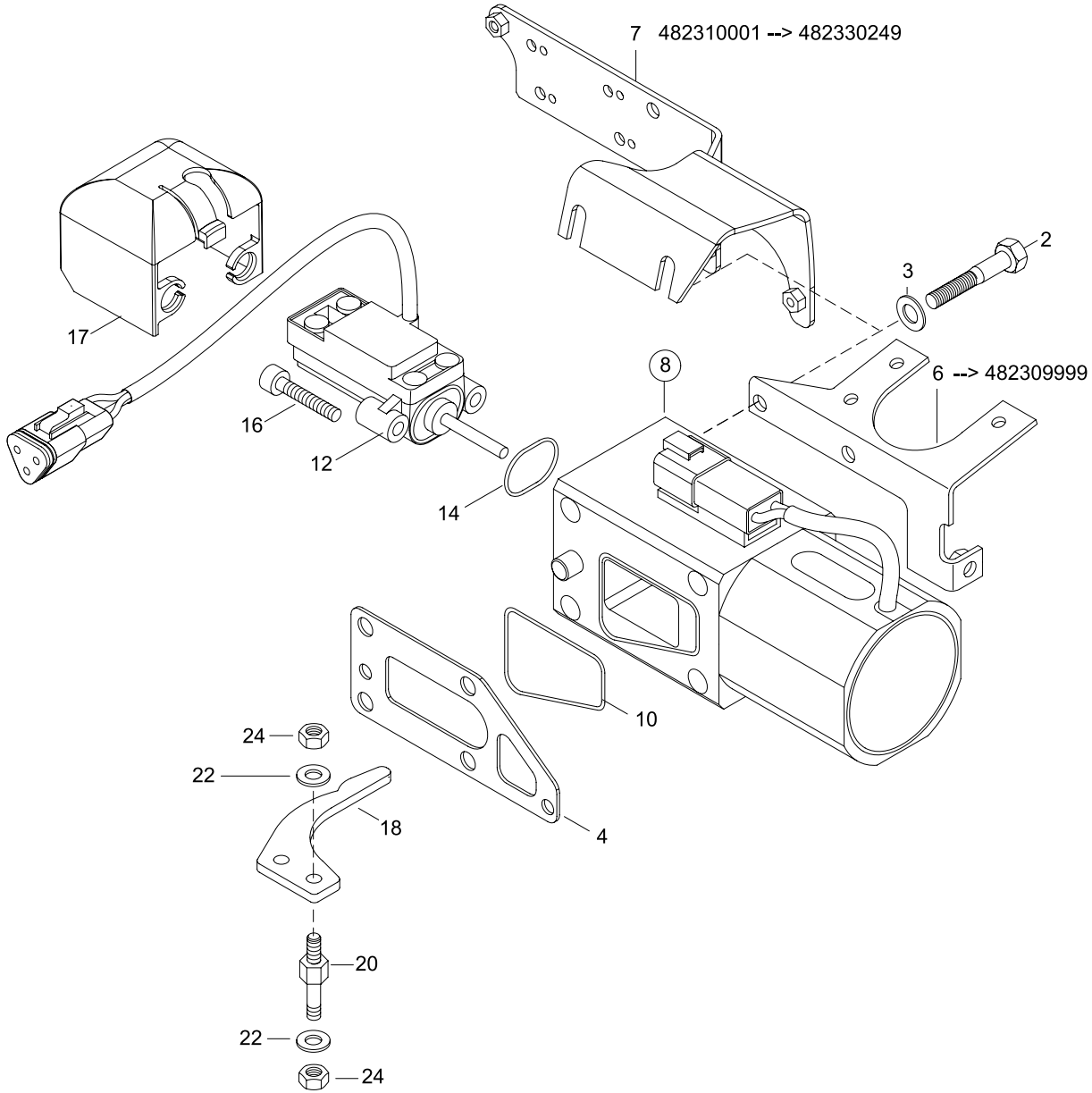


TA 0308

94 MARINE
TURBO DIESEL
+ SOLAS

CONTR. SOLENOID, POTENTIOMETER

03084084-3



CONTR. SOLENOID, POTENTIOMETER	94 MARINE TURBO DIESEL + SOLAS
---------------------------------------	--

03084084-3

Pos.	Part.-No.	Qty	Designation	Step
2	9000446-1	4	HEX.HD.BOLT ISO 4014-M8x70-A4-70	.1
3	3930103-0	4	WASHER ISO 7089-8-A4-200HV	.1
4	2205223-0	4	SEAL, SOLENOID	.1
6	2178955-1	1	BRACKET CONTROL SOLENOID -->48230999	.1
7	2178954-2	1	BRACKET CONTROL SOLENOID 482310001-->	.1
8	Z002153-0	1	CONTROL SOLENOID	.1
10	2179707-0	1	O-RING 43x3,5	.2
12	Z002160-0	1	SENSOR, CONTROL RACK POSITION	.2
14	2179708-0	1	O-RING 18x1,5	.2
16	9000116-1	2	HEX.SOCK. SCR. ISO 4762-M5x20-A2-70	.2
17	2179766-0	1	PROTECTING CAP, RACK-SENSOR	.2
18	2176745-2	1	CONTROL-LEVER	.1
20	2176746-1	2	DISTANCE-SHAFT	.1
22	3931062-0	4	SP.LO.WASH. DIN 127-B5-FST-FLZNNC-480H	.1
24	3871222-0	4	HEX.NUT ISO 4032-M5-8-FLZNNC-720H-L	.1



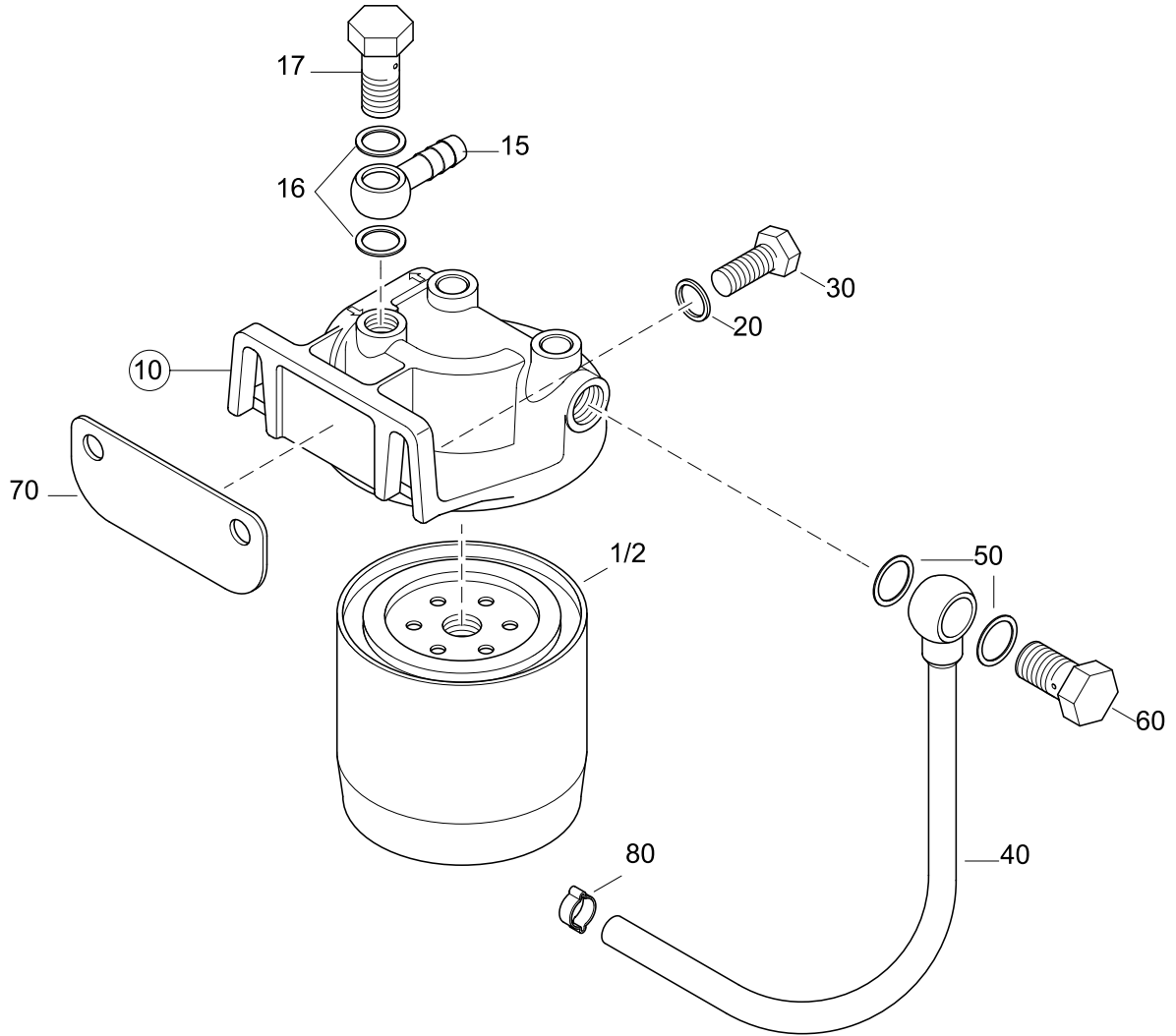


TA 0309

94 MARINE
TURBO DIESEL
+ SOLAS

FUEL FILTER

03094084-1



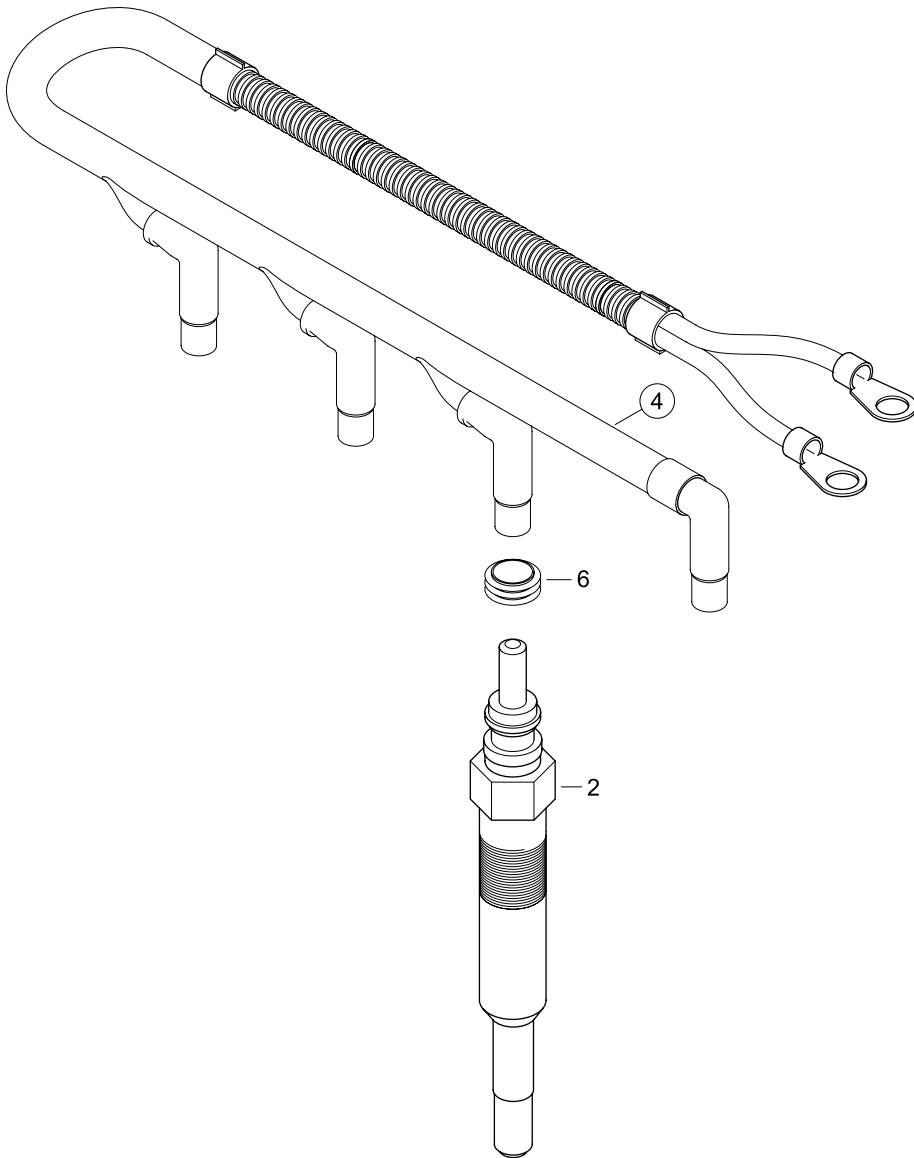


TA 0311

94 MARINE
TURBO DIESEL
+ SOLAS

GLOW PLUG

03114084-0



GLOW PLUG	<p>94 MARINE TURBO DIESEL + SOLAS</p>
------------------	---

03114084-0

Pos.	Part.-No.	Qty	Designation	Step
2	2177492-5	4	GLOW PLUG	.1
4	2200215-4	1	CABLE GLOW-PLUG ASSY.	.1
6	2179256-0	4	GASKET GLOW PLUG CONNECTOR	.2





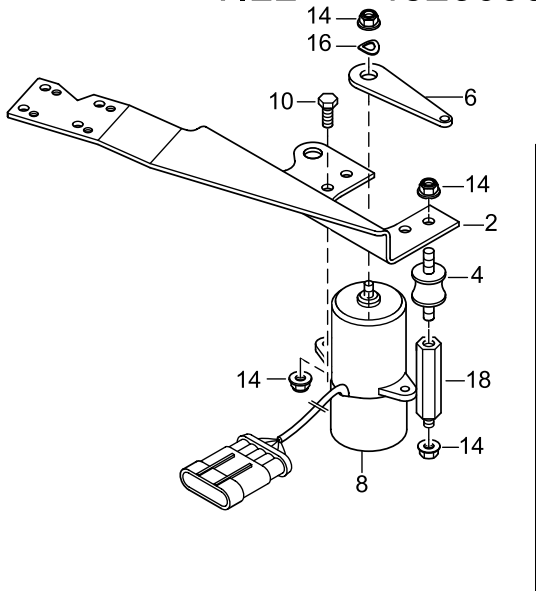
TA 0312

94 MARINE
TURBO DIESEL
+ SOLAS

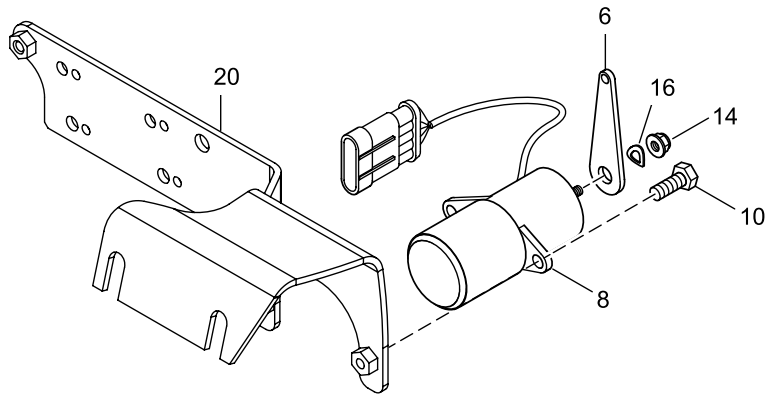
POT. ACCELERATOR, BOOST PRESSURE SENSOR

03124034-0

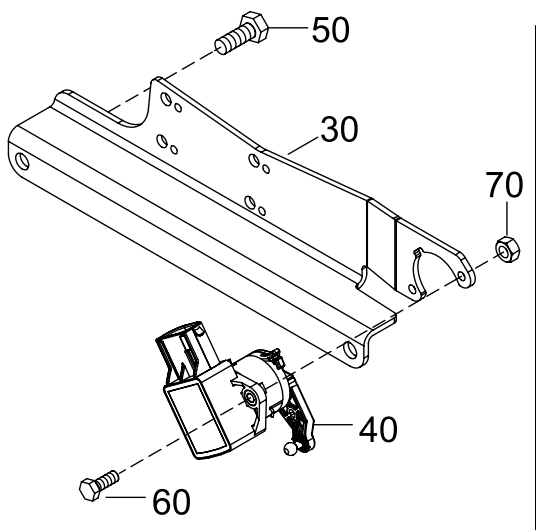
TILL --> 482309999



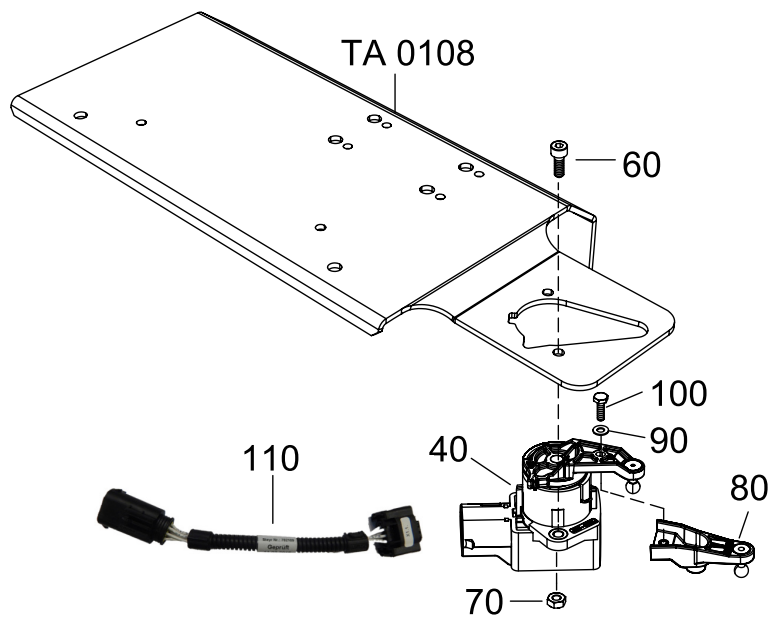
FROM 482310001
TILL --> 482330249



FROM 482330250
TILL --> 482350427



FROM 482350428 -->



POT. ACCELERATOR, BOOST PRESSURE SENSOR



03124034-0

Pos.	Part.-No.	Qty	Designation	Step
2	2178954-0	1	BRACKET POTENTIOMETER ACCELER.	.1
4	2203744-0	3	RUBBER MOUNT	.1
6	2203777-0	1	LEVER POTENTIOMETER	.1
8	2176860-1	1	POTENTIOMETER ACCELERATOR	.1
10	3800233-0	2	HEX.HD.SCR. ISO 4017-M6x16-A4-70	.1
14	3880049-0	9	HEX.FLANGE NUT EN 1661-M6-A4-70	.1
16	3932008-0	1	SP. WASHER DIN 137-B6-FST-FLZNNC-480H	.1
18	2179143-0	3	DISTANCE BOLT	.1
20	2178954-2	1	BRACKET POT. ACCELER. 4 CYL. MARINE	.1
30	2204053-0	1	BRACKET POTENTIOMETER	.1
40	2180847-0	1	POTENTIOMETER ACCELERATOR	.1
50	3800224-0	2	HEX.HD.SCR. ISO 4017-M8x20-A4-70	.1
60	2309129-0	2	HEX.SOCK. SCR. ISO 4762-M4x12-A2-70	.1
70	3870051-0	2	HEX.NUT ISO 4032-M4-A4-70	.1
80	700872	1	LEVER	.1
90	900100	1	WASHER ISO 7089-3-200HV-A2	.1
100	900101	1	HEX.HD.SCR. ISO 4017-M3x10-A2-70	.1



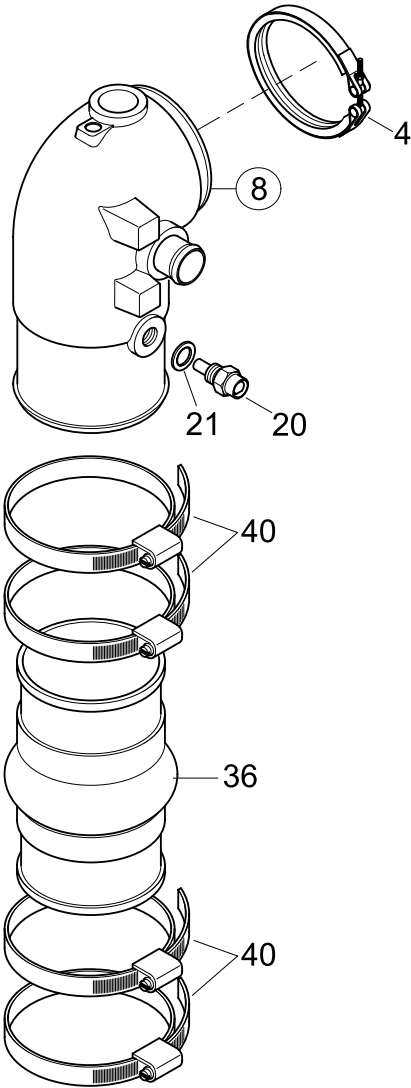


TA 0401

94 MARINE
TURBO DIESEL
+ SOLAS

HIGH RISER, EXHAUST PIPE

04016184-1



HIGH RISER, EXHAUST PIPE

94 MARINE
TURBO DIESEL
+ SOLAS

04016184-1

Pos.	Part.-No.	Qty	Designation	Step
4	2173297-0	1	CLAMP	.1
8	Z002095-0	1	ELBOW ASSY. EXHAUST (RAL9006)	.1
20	2174623-3	1	COOLANT TEMPERATURE SENSOR	.1
21	3098013-0	1	SEALING RING DIN 7603-A12x18-CU	.1
36	Z002072-0	1	KIT, HOSE-EXHAUST PIPE	.1
40	2178943-0	4	HOSE CLAMP 90-110-12	.1



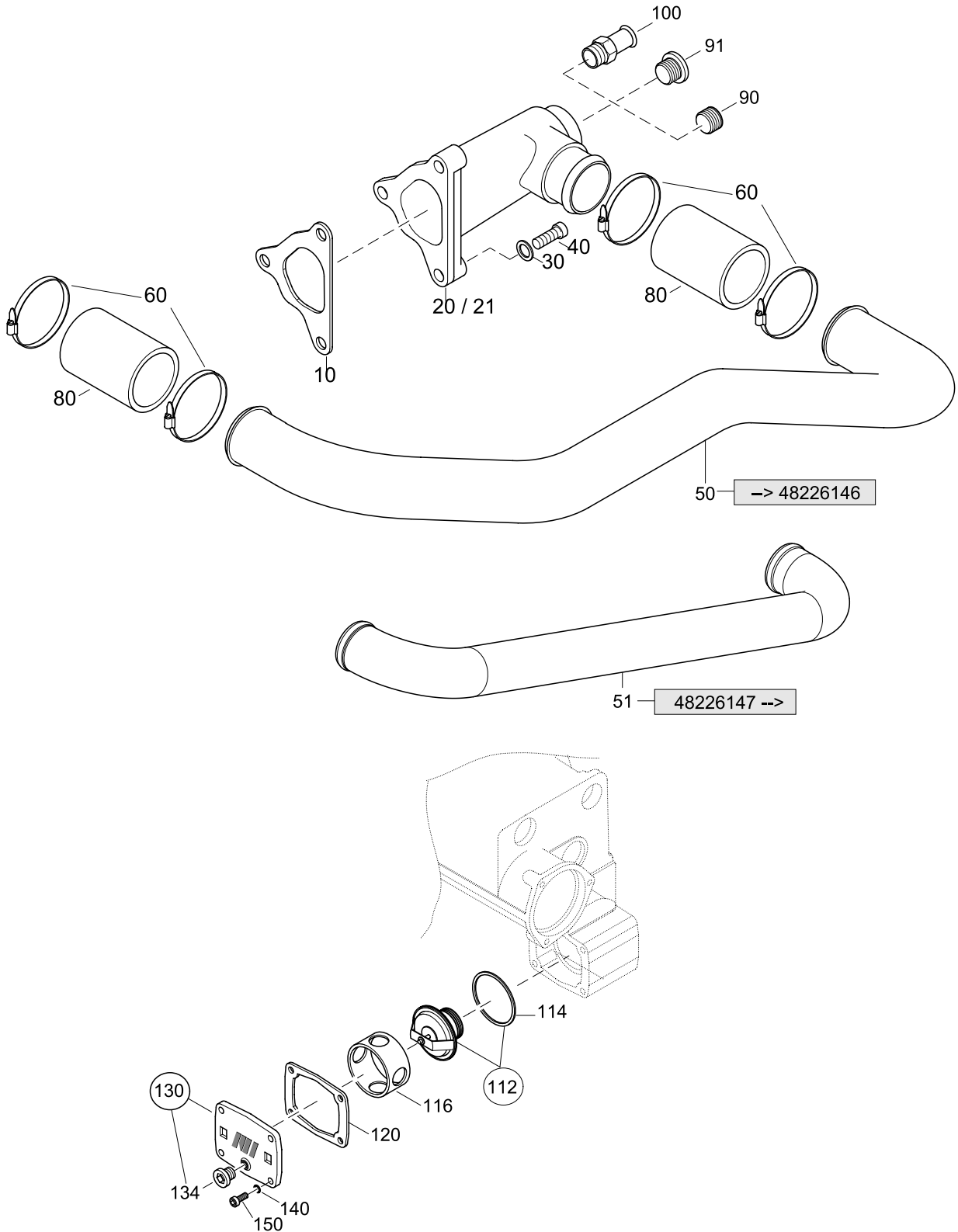


TA 0503

94 MARINE
TURBO DIESEL
+ SOLAS

WATERPIPE, THERMOSTAT

05034084-0



WATERPIPE, THERMOSTAT
94MARINE
 TURBO DIESEL
 + SOLAS

05034084-0

Pos.	Part.-No.	Qty	Designation	Step
10	2177572-0	1	GASKET INLET PIPE	.1
20	2177571-9	1	MANIF.COOLANT INLET, 1/2-14NPT (RAL9006) -->48218999	.1
21	2177571-7	1	COOLANT INLET ASSY. M22x1,5 (RAL9006) 48219001-->	.1
30	3932008-0	3	SP. WASHER DIN 137-B6-FST-FLZNNC-480H	.1
40	3862327-0	3	SCR. ISO 4762-M6x25-8.8-FLZNNC-720H-L	.1
50	2203735-0	1	PIPE ENGINE-COOLANT -->48226146	.1
51	2203735-1	1	PIPE ENGINE-COOLANT 48226147-->	.1
60	2174406-0	4	HOSE CLAMP 25-40/9	.1
80	2177867-0	2	HOSE, ENGINE COOLANT	.1
90	O913564-0	1	SCREW PLUG 1/2-14 NPTF -->48218999	.1
91	9000590-0	1	SCR.PLUG WITH RUBBER SEAL M22x1,5 48219001-->	.1
100	2178607-1	1	HOSE CONNECTOR HEATER -->48218999	.1
112	2173621-1	1	THERMOSTAT W. SEALING RING 80°C	.1
114	2178414-0	1	SEALING RING THERMOSTAT	..2
116	2178946-0	1	RETAINER THERMOSTAT	.1
120	2178339-0	1	GASKET THERMOSTAT COVER	.1
130	2178204-9	1	COVER, THERMOSTAT HOUSING (RAL9006)	.1
134	9000586-0	1	SCR.PLUG WITH RUBBER SEAL M12x1,5	..2
140	3932008-0	4	SP. WASHER DIN 137-B6-FST-FLZNNC-480H	.1
150	3862320-0	4	SCR. ISO 4762-M6x20-8.8-FLZNNC-720H-L	.1



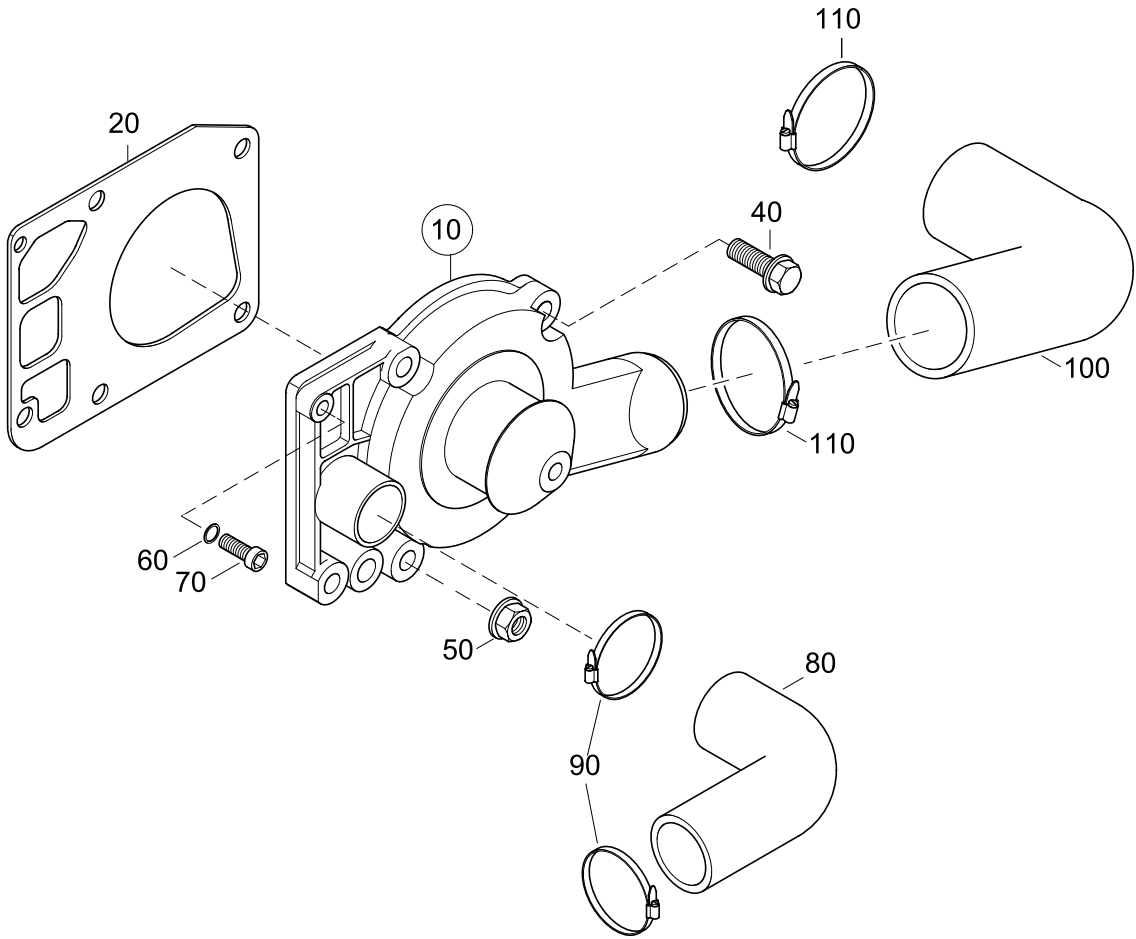


TA 0504

94 MARINE
TURBO DIESEL
+ SOLAS

WATERPUMP

05044084-0



WATERPUMP	94 MARINE TURBO DIESEL + SOLAS
------------------	--

05044084-0

Pos.	Part.-No.	Qty	Designation	Step
10	Z002425-0	1	WATERPUMP ASSY. (RAL9006) INCL. GASKET	.1
20	2177329-2	1	GASKET WATERPUMP-HOUSING	.2
40	9000431-0	4	BOLT EN1665-M8x30-10.9-FLZNNC-720H-L	.1
50	9000056-1	1	HEX.FLANGE NUT EN1661-M8-8-FLZNNC-720H-L	.1
60	3932008-0	1	SP. WASHER DIN 137-B6-FST-FLZNNC-480H	.1
70	3862327-0	1	SCR. ISO 4762-M6x25-8.8-FLZNNC-720H-L	.1
80	2178462-0	1	HOSE-ELBOW 32/90°x 88	.1
90	2174406-0	2	HOSE CLAMP 25-40/9	.1
100	2179813-0	1	MOULDED HOSE	.1
110	2174407-0	2	HOSE CLAMP 40-60/9	.1



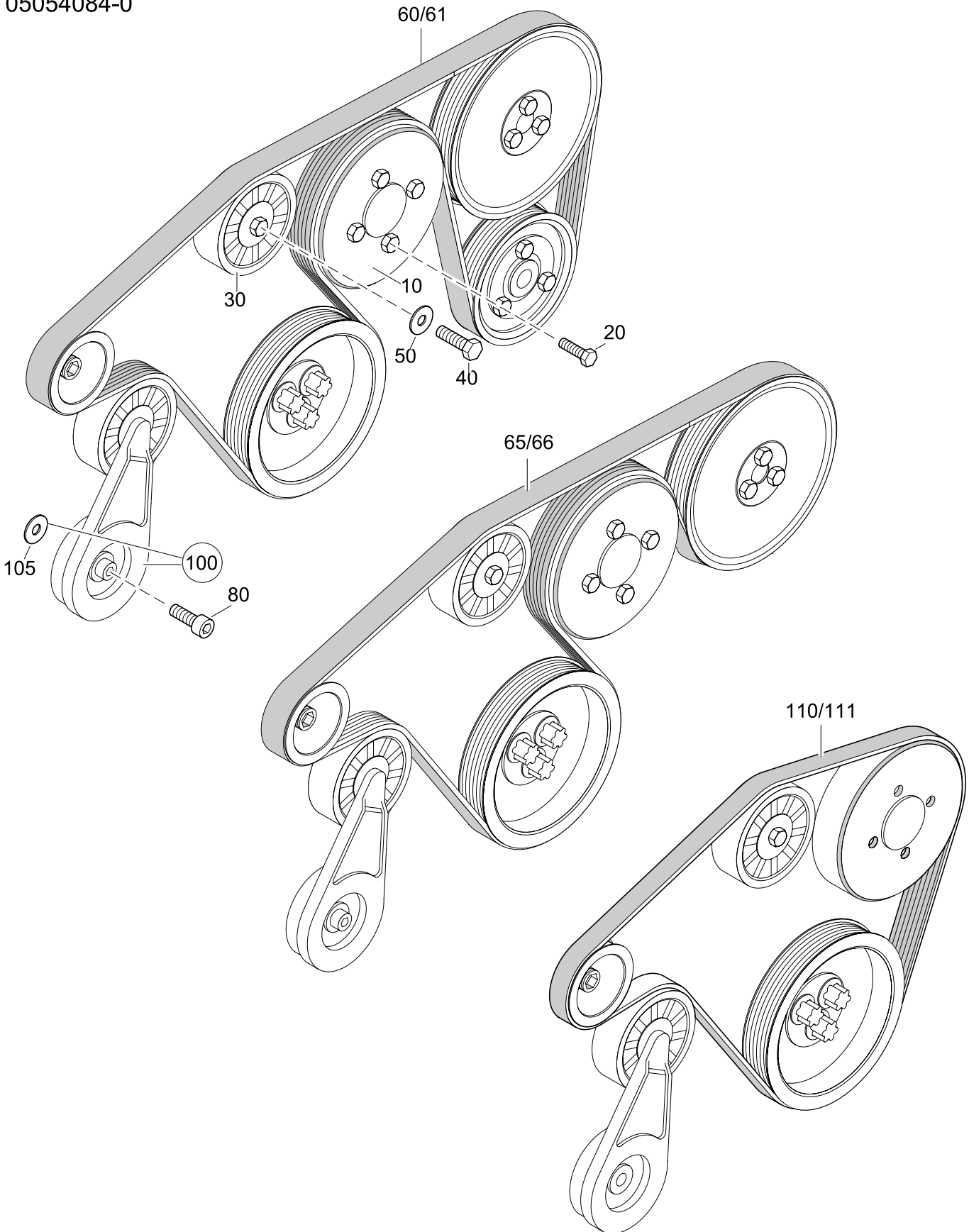


TA 0505

94 MARINE
TURBO DIESEL
+ SOLAS

DRIVE BELTS, PULLEYS, TENSIONER

05054084-0



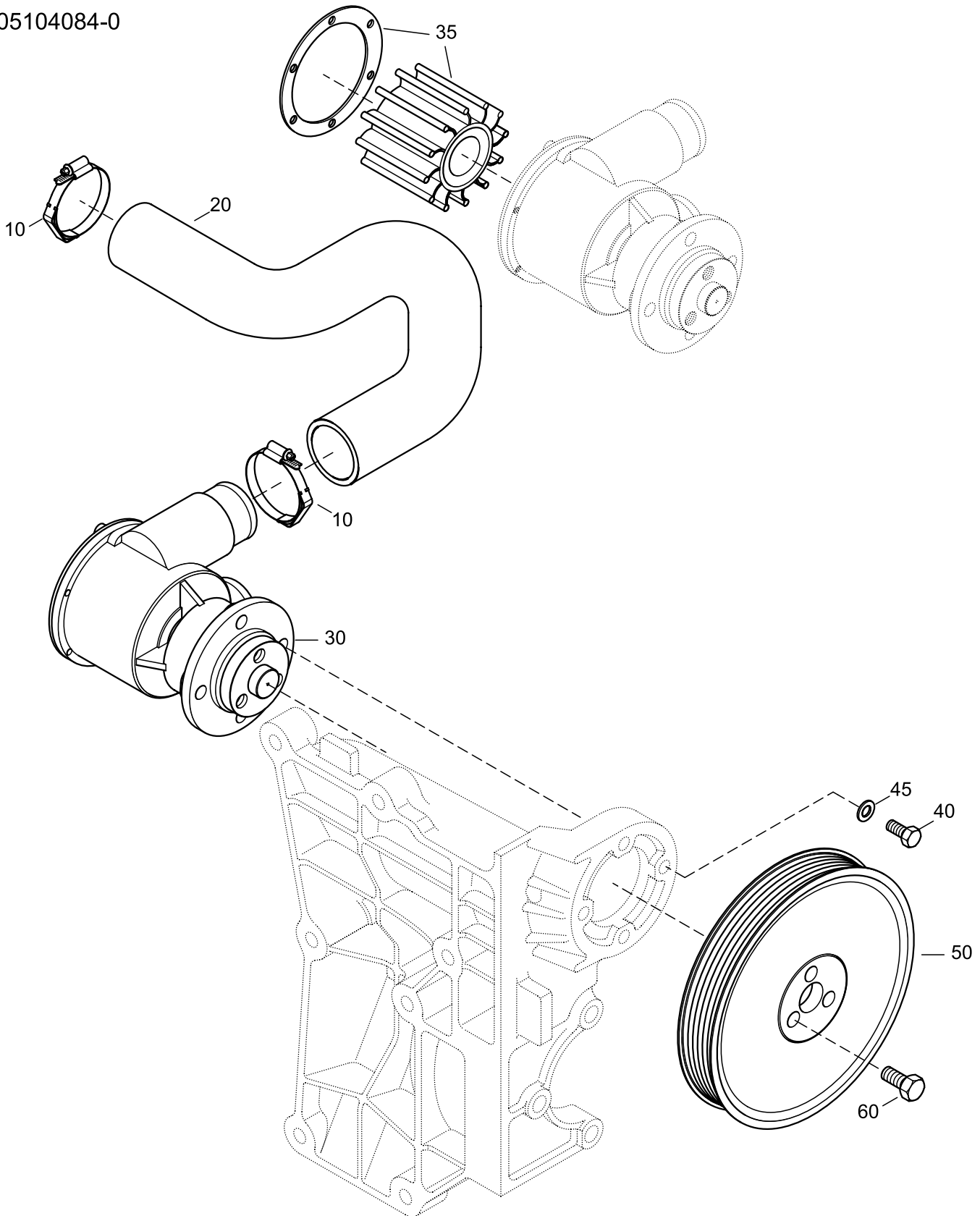


TA 0510

94 MARINE
TURBO DIESEL
+ SOLAS

RAW WATER PUMP

05104084-0



RAW WATER PUMP



05104084-0

Pos.	Part.-No.	Qty	Designation	Step
10	2179044-0	2	HOSE CLAMP WITH SPRING 25-40/9	.1
20	2203768-0	1	MOULDED HOSE, RAW WATER PUMP-TANDEM COO.	.1
30	2203714-9	1	RAW WATER PUMP (RAL9006)	.1
35	Z011753-2	1	SERVICE KIT, RAW WATER PUMP (W. GREASE)	.1
40	3800221-0	4	HEX.HD.SCR. ISO 4017-M6x20-A2-70	.1
45	3930070-0	4	WASHER ISO 7089-6-A4-200HV	.1
50	2203746-0	1	PULLEY RAW WATER PUMP	.1
60	3860152-0	3	HEX.SOCK. SCR. ISO 4762-M8x16-A2-70	.1



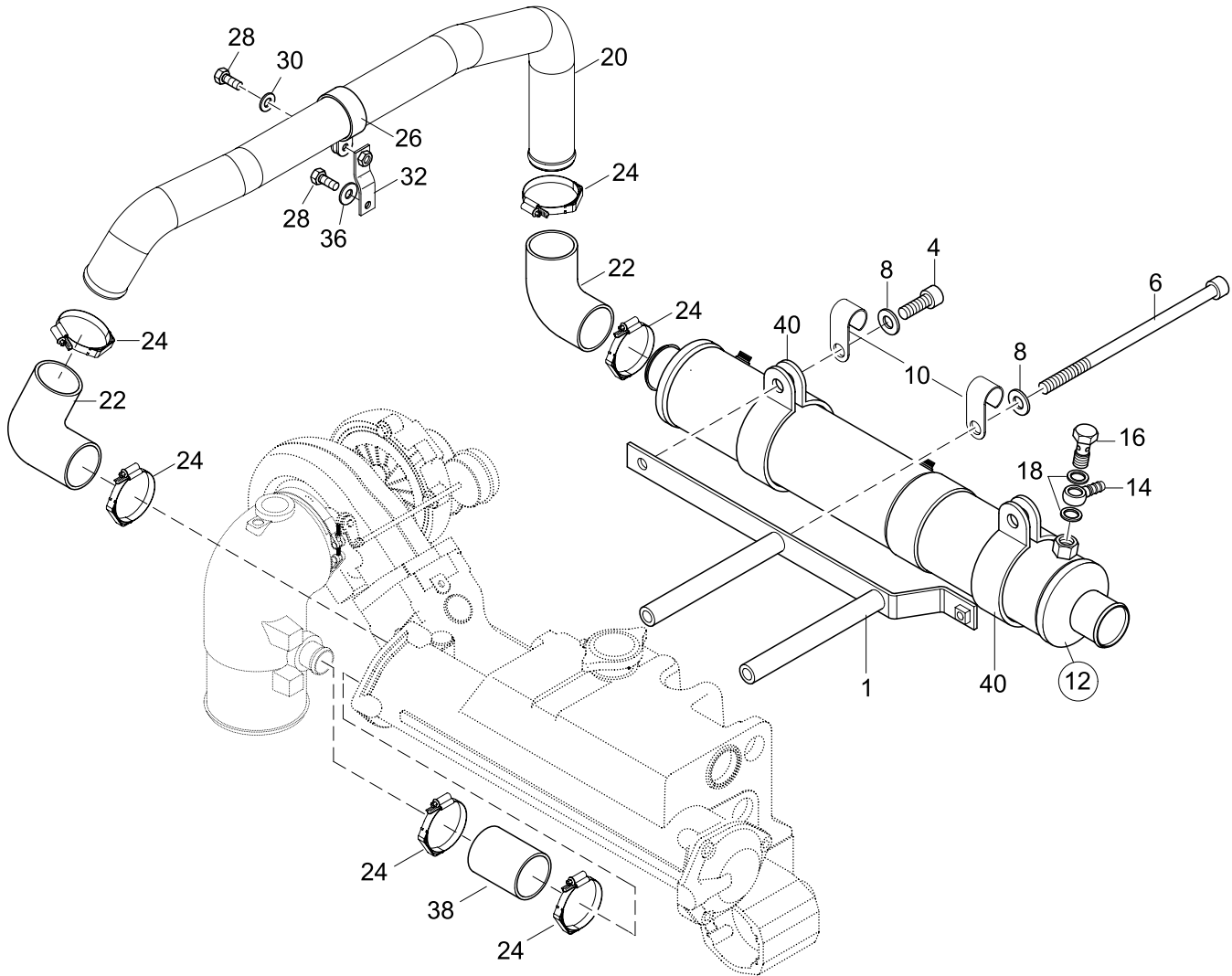


TA 0512

94 MARINE
TURBO DIESEL
+ SOLAS

RAW WATER PIPES, FUEL/OIL COOLER

05124034-0



RAW WATER PIPES, FUEL/OIL COOLER	94 MARINE TURBO DIESEL + SOLAS
---	--

05124034-0

Pos.	Part.-No.	Qty	Designation	Step
1	2179030-1	1	BRACKET TANDEM-COOLER -->482309999	.1
4	9000063-0	1	HEX.SOCK. SCR. ISO 4762-M8x20-A4-70	.1
6	9000444-0	2	HEX.SOCK. SCR. ISO 4762-M8x180-8.8 DAC	.1
8	3930103-0	3	WASHER ISO 7089-8-A4-200HV	.1
10	O310947-0	2	J-CLAMPS	.1
12	Z002097-0	1	TANDEM COOLER ASSY. (RAL9006)	.1
14	2174383-1	1	BANJO FITTING DN8 DIN 7642	.2
16	9000053-0	1	HO.SCR.M14x1.5-DIN7643-10-ZnNi8/An/T2	.2
18	3098015-0	2	SEALING RING DIN 7603-A14x20-CU	.2
20	2203758-1	1	PIPE TANDEM COOLER-HEAT EXCHA.	.1
22	2173704-0	2	HOSE-ELBOW 32/90°x 58	.1
24	2179044-0	6	HOSE CLAMP WITH SPRING 25-40/9	.1
26	2178446-0	1	PIPE CLAMP RSGU1.32/15-W5	.1
28	3800233-0	1	HEX.HD.SCR. ISO 4017-M6x16-A4-70	.1
30	3930070-0	1	WASHER ISO 7089-6-A4-200HV	.1
32	2177743-9	1	FISHPLATE OIL INTAKE PIPE (RAL9006)	.1
34	3802321-0	1	HEX.SCR.ISO 4017-M6x16-8.8-FLZNNC-720H-L	.1
36	9000012-0	1	WASHER ISO 7093-6.4-140HV-A2	.1
38	2177760-0	1	COOLING-WATER HOSE	.1
40	2178385-0	2	PIPE CLAMP 54/20	.1





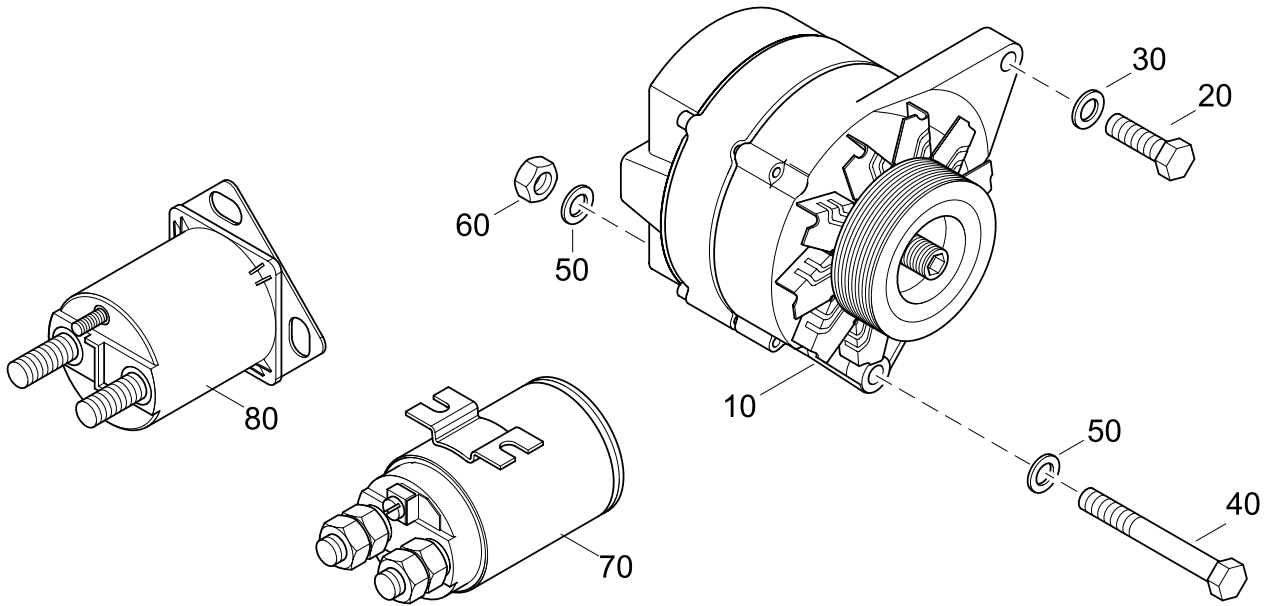
TA 0601

94 MARINE
TURBO DIESEL
+ SOLAS

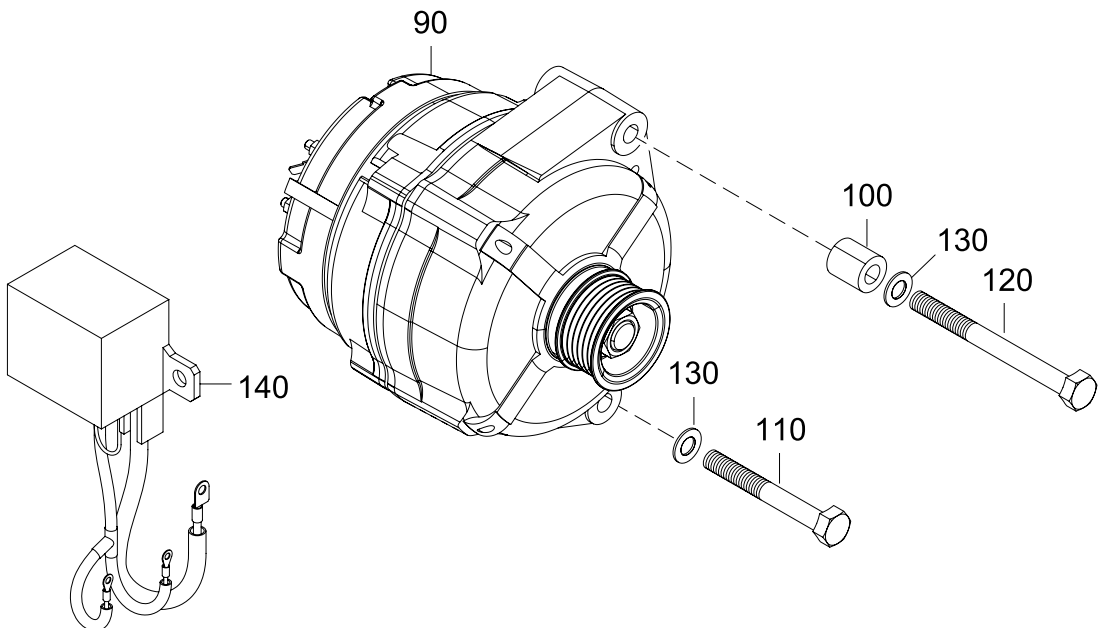
ALTERNATOR

06014084-0

TILL --> 482330249



FROM 482330250 -->



ALTERNATOR	
-------------------	---

06014084-0

Pos.	Part.-No.	Qty	Designation	Step
10	2203713-9	1	ALTERNATOR 14V-90A (RAL9006)	.1
20	3802437-0	1	HEX.HD.SCR. ISO 4017-M8x35-8.8-A2C	.1
30	3930103-0	1	WASHER ISO 7089-8-A4-200HV	.1
40	3800575-0	1	HEX.BO.ISO4014-M10x130-8.8-FLZNNC-720H-L	.1
50	3930075-0	2	WASHER ISO 7089-10-A4-200HV	.1
60	3870030-0	1	HEX.NUT ISO 4032-M10-A2-70	.1
70	9000457-0	1	RELAY 12V-150A	.1
80	2206161-0	1	POWER SOLENOID 12V	.1
90	Z026127-0	1	ALTERNATOR ASSY. 14V-120A (RAL9006)	.1
100	2180116-0	1	SLIDING COLLAR	.1
110	3800571-0	1	BOLT ISO 4014-M10x80-8.8-FLZNNC-720H-L	.1
120	3800568-0	1	H.BOLT ISO4014-M10x100-8.8-FLZNNC-720H-L	.1
130	3930271-0	2	WASHER ISO 7089-10-140HV-FLZNNC-480H	.1
140	2204057-0	1	CABLE LOOM 2-POLE	.1



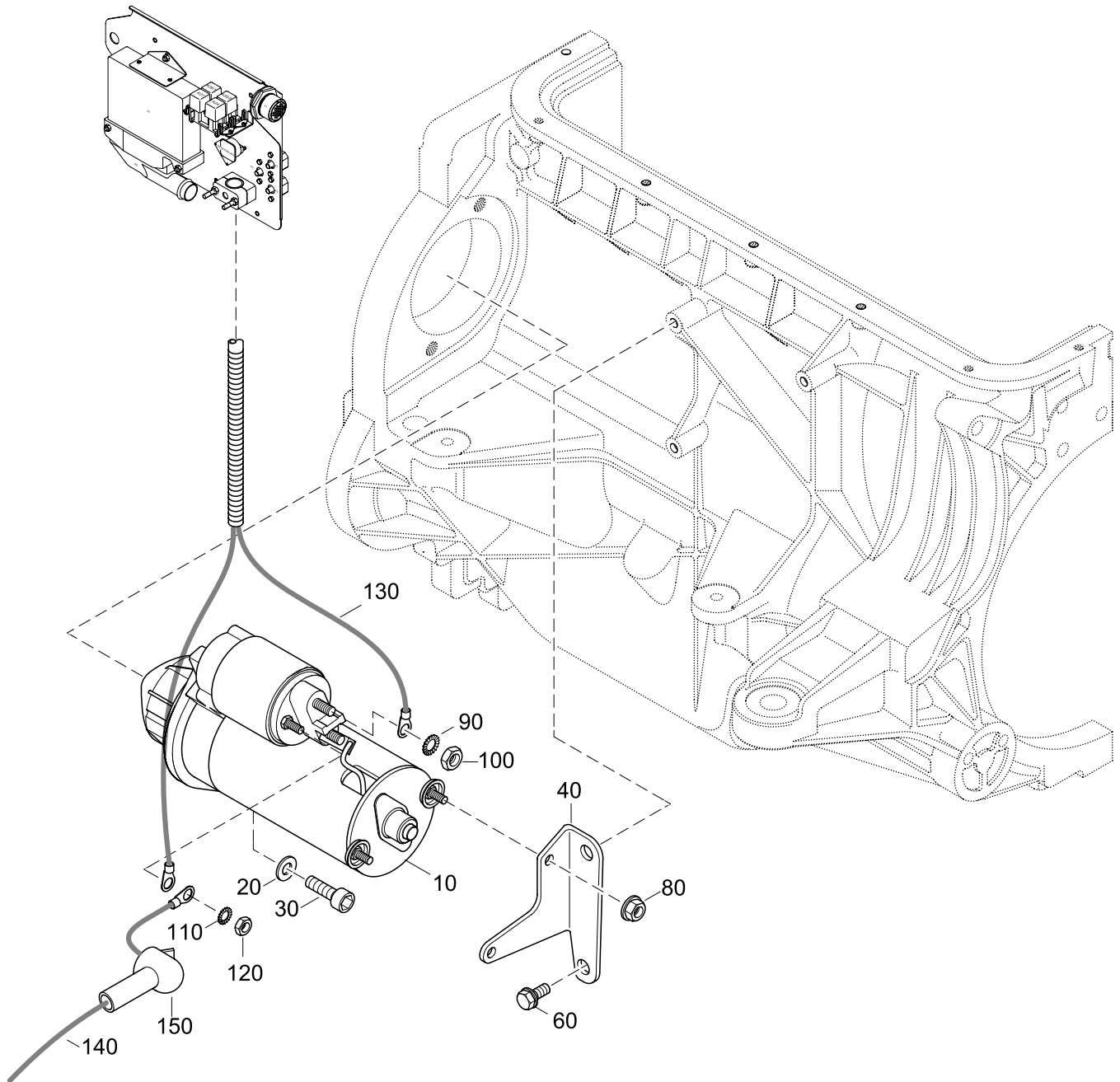


TA 0603

94 MARINE
TURBO DIESEL
+ SOLAS

STARTING

06034084-0





STARTING	94 MARINE TURBO DIESEL + SOLAS
-----------------	--

06034084-0

Pos.	Part.-No.	Qty	Designation	Step
10	2040077-8	1	STARTER 12V (RAL9006)	.1
20	3932025-0	2	SPRING WASHER DIN137-A10-FST-FLZNNC-480H	.1
30	3860149-0	2	HEX.SCR.ISO4762-M10x40-8.8-FLZNNC-720H-L	.1
40	2203730-0	1	BRACKET STARTER	.1
60	9000305-0	2	BOLT EN1665-M8x20-10.9-FLZNNC-720H-L	.1
80	3880049-0	2	HEX.FLANGE NUT EN 1661-M6-A4-70	.1
90	9000013-0	2	TOOTHED LOCK WASHER DIN 6797-A8.4	.1
100	3870045-0	1	HEX.NUT ISO 4032-M8-A2-70	.1
110	9000040-0	1	TOOTHED LOCK WASHER DIN 6797-A5.3	.1
120	3870050-0	1	HEX.NUT ISO 4032-M5-A2-70	.1
130	Z002167-0	1	HARNES STARTER (SPARE)	.1
140	2206213-0	1	BATTERY CABLE RED	.1
150	O910111-0	1	RUBBER PROTECTION CAP	.1



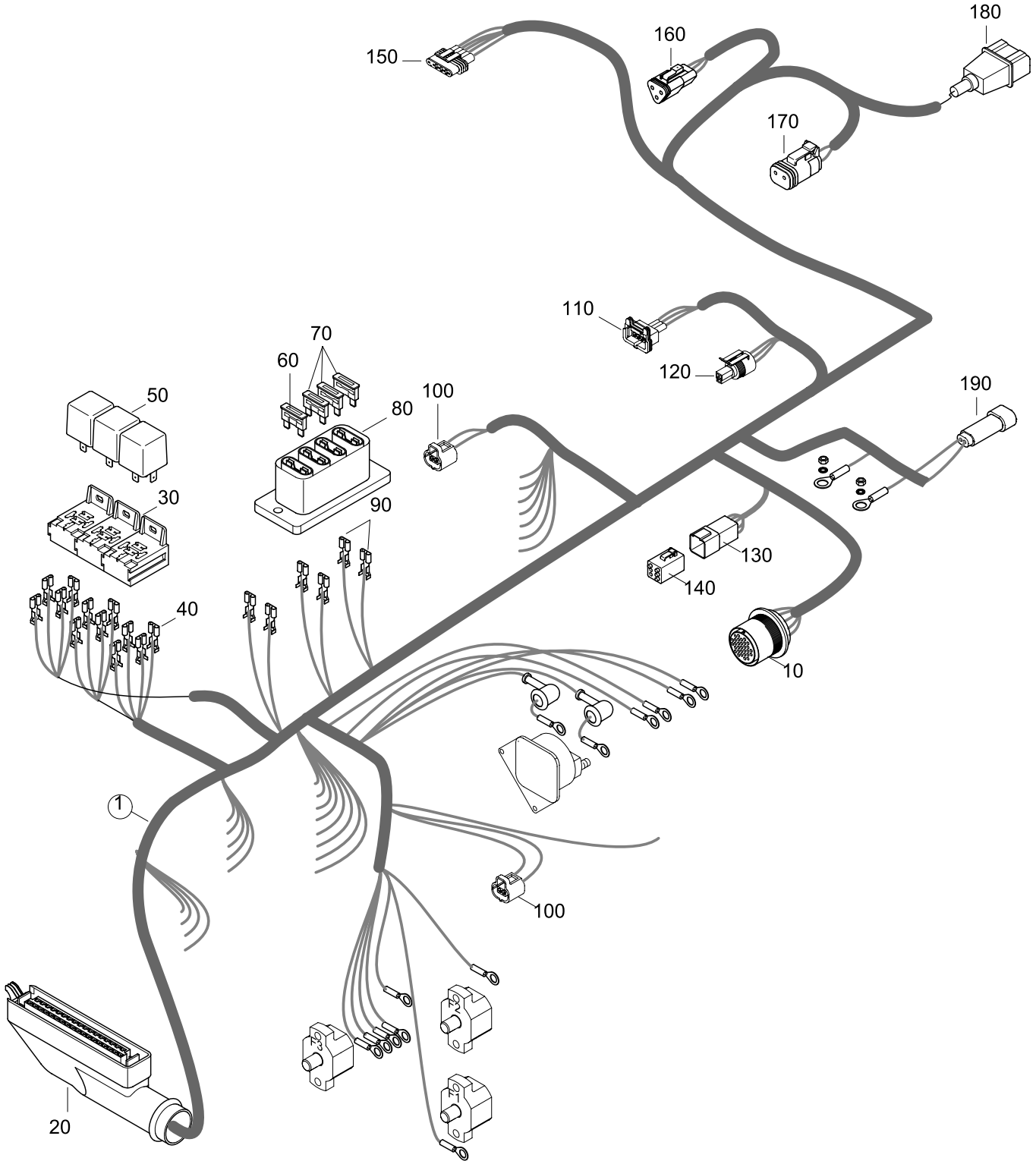


TA 0605

94 MARINE
TURBO DIESEL
+ SOLAS

ENGINE HARNESS 48221067 --> 48226999

06054084-1



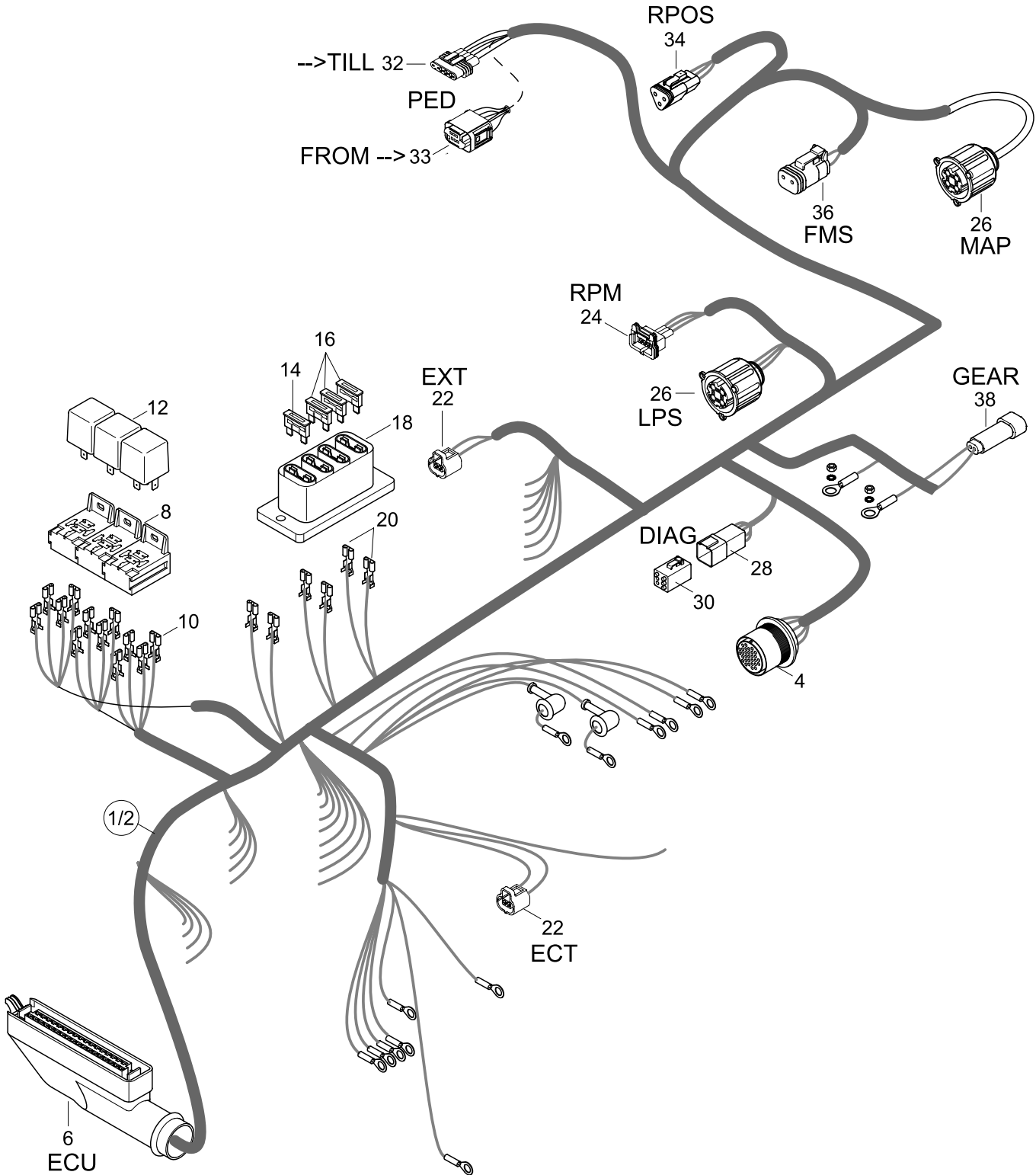


TA 0605

94 MARINE
TURBO DIESEL
+ SOLAS

ENGINE HARNESS 48227001-->

06054084-2



ENGINE HARNESS 48227001-->	94 MARINE <small>TURBO DIESEL</small> + SOLAS
--------------------------------------	---

06054084-2

Pos.	Part.-No.	Qty	Designation	Step
1	Z002143-0	1	ENGINE HARNESS 12V 482270001-->482330249	.1
2	Z024016-0	1	ENGINE HARNESS 12V 482330250-->	.1
4	Z002410-0	1	CABLE-PLUG PAIR COMPL.	.2
6	Z002411-0	1	CABLE PLUG COMPL. 35-POLE	.2
8	9000421-0	3	RELAY SOCKET	.2
10	3499650-0	19	RECEPTACLE 6,3-2,5	.2
12	9000183-0	3	RELAY 12V 40A	.2
14	12156	1	FUSE 5A, LIGHTBRAUN	.2
16	11345	3	BLADE FUSE 10A	.2
18	2206152-0	1	FUSE CARRIER 4 WAY	.2
20	9000125-0	6	BLADE TERMINAL 6,3x2,5 / 1,5-2,5	.2
22	Z002046-1	2	PLUG COMPLETE 2-POLE	.2
24	Z002412-0	1	PLUG COMPLETE 3-POLE	.2
26	Z002139-0	2	PLUG COMPLETE 3-POLE	.2
28	Z002415-0	1	PLUG COMPLETE 6-POLE	.2
30	2178729-3	1	DIAGNOSTIC PLUG 6-WAY	.2
32	Z002414-0	1	PLUG COMPLETE 5-POLE 482270001-->482330249	.2
33	Z002414-2	1	PLUG COMPLETE 6-POLE 482330250-->	.2
34	Z002416-0	1	PLUG COMPLETE 3-POLE	.2
36	Z002417-0	1	PLUG COMPLETE 2-POLE	.2
38	Z002419-0	1	PLUG COMPL. GEAR SWITCH 2 WAY	.2



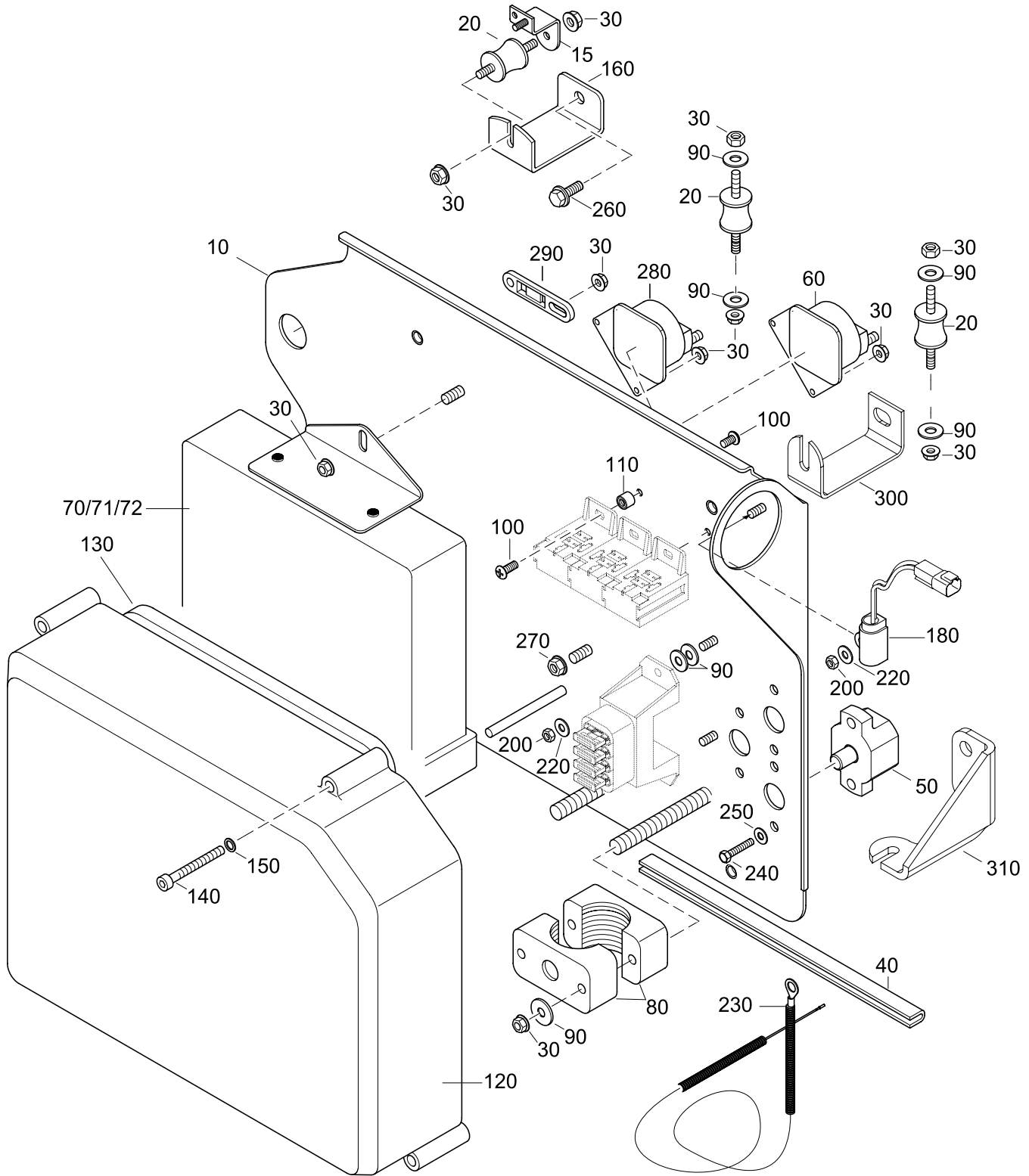


TA 0606

94 MARINE
TURBO DIESEL
+ SOLAS

SECURETYSYSTEM, FUSES, ECU, E-BOX

06064034-0



SECURETYSYSTEM, FUSES, ECU, E-BOX

94 MARINE
 TURBO DIESEL
 + SOLAS

06064034-0

Pos.	Part.-No.	Qty	Designation	Step
10	2203723-1	1	BASE PLATE -->482330249	.1
11	2204051-0	1	BASE PLATE 482330250-->	.1
15	2203723-B	1	BRACKET BASEPLATE	.2
20	2203744-0	4	RUBBER MOUNT	.1
30	3880049-0	13	HEX.FLANGE NUT EN 1661-M6-A4-70	.1
40	2173329-0	0,2m	EDGE PROTECTOR	.1
50	O913774-0	3	AUTOMATIC CIRCUIT BREAKER 50A	.1
60	9000187-0	1	SOLENOID STARTER	.1
70	2176821-8	1	ECU 94 66kW - 3300rpm -->48226999	.1
71	2176844-0	1	ECU 94 66kW - 3300rpm 48227001-->482330249	.1
72	2176844-M	1	ECU 94 66kW - 3300rpm 482330250-->	.1
80	2203753-0	2	CLAMP, FASTEN ENGINE-HARNESS	.1
90	9000012-0	10	WASHER ISO 7093-6.4-140HV-A2	.1
100	9000215-1	4	CHEESE HD.SCR. ISO 7045-M5x6-A2-50-H	.1
110	2179004-0	2	SILENT BLOCK M5	.1
120	2203720-0	1	COVERING, ENGINE ELECTRIC	.1
130	2171410-1	1	SEAL, COVERING ENGINE ELECTRIC	.1
140	9000003-0	5	HEX.SOCK. SCR. ISO 4762-M5x55-A2-70	.1
150	3930069-0	5	WASHER ISO 7089-5-A4-200HV	.1
160	2203724-0	2	SUPPORT BASE PLATE	.1
180	2178971-G	1	INVERSION-SWITCH ASSY	.1
200	3870050-0	3	HEX.NUT ISO 4032-M5-A2-70	.1
220	3930069-0	3	WASHER ISO 7089-5-A4-200HV	.1
230	2178975-0	1	CABLE INVERSION-SWITCH SOLAS	.1
240	9000424-0	6	HEX.HD.SCR. ISO 4017-8/32UNCx20-A2-70	.1
250	3930072-0	6	WASHER LA. SERIES ISO 7093-4.3-A4-200HV	.1
260	9000305-0	2	BOLT EN1665-M8x20-10.9-FLZNNC-720H-L	.1
270	3880049-0	1	HEX.FLANGE NUT EN 1661-M6-A4-70	.1
280	2206161-0	1	POWER SOLENOID 12V	.1
290	2178870-0	1	FIXTURE, CABLE TIE	.1
300	2204060-0	1	SUPPORT BASE PLATE 482330250-->	.1



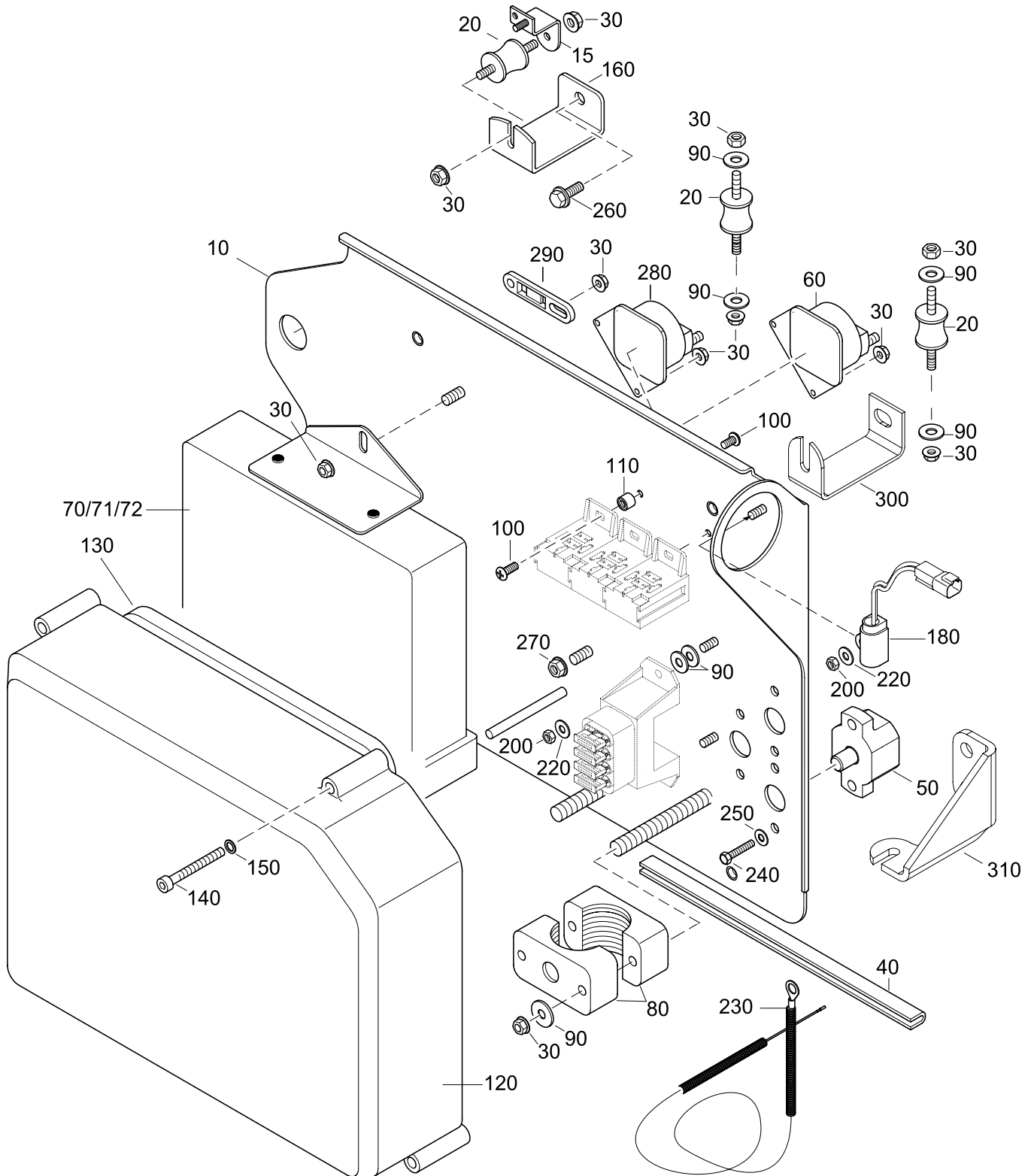


TA 0606

94 MARINE
TURBO DIESEL
+ SOLAS

SECURETYSYSTEM, FUSES, ECU, E-BOX

06064034-0



SECURETYSYSTEM, FUSES, ECU, E-BOX

94 MARINE
TURBO DIESEL
+ SOLAS

06064034-0

Pos.	Part.-No.	Qty	Designation	Step
310	2204052-0	1	BRACKET, E-BOX 482330250-->	.1



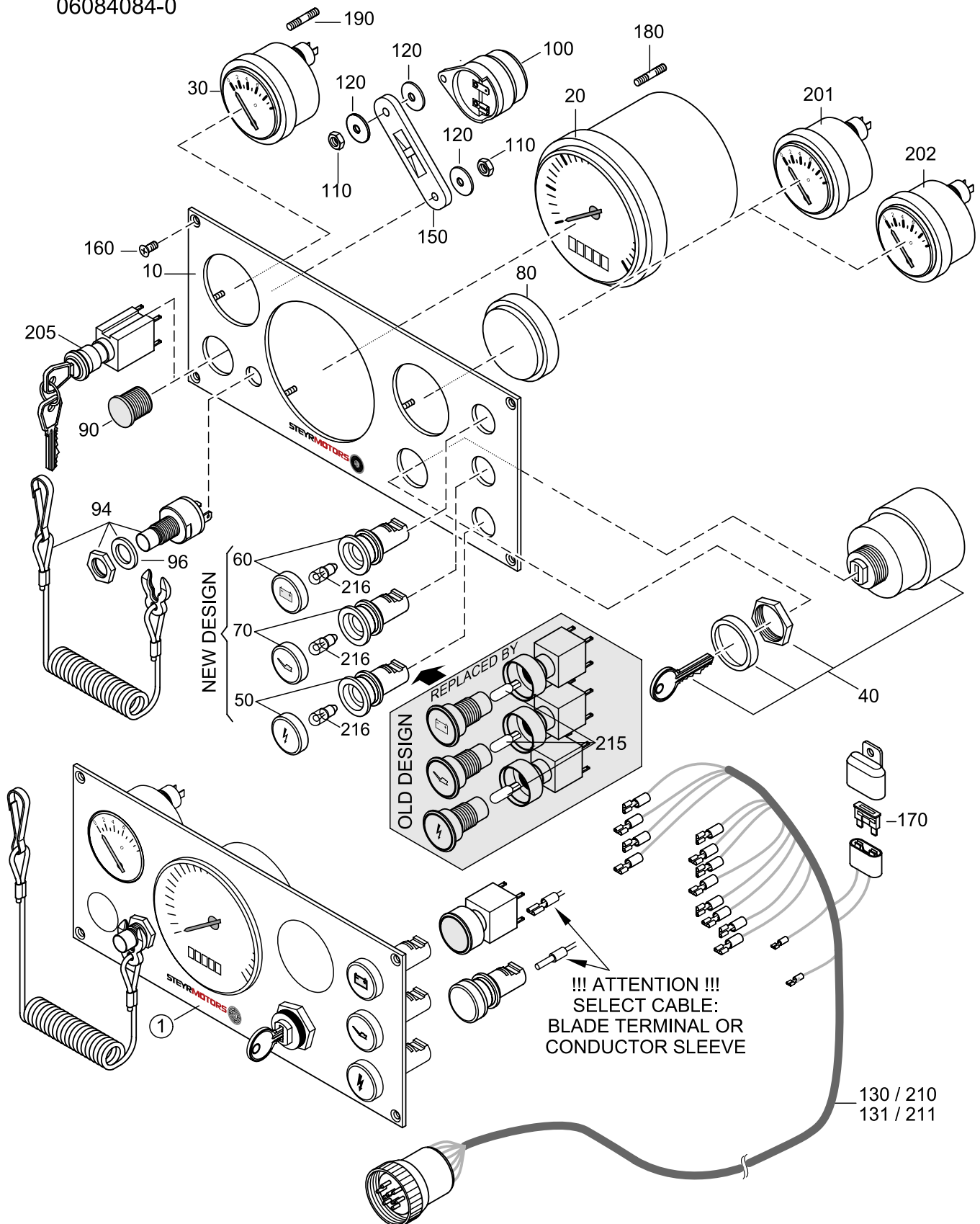


TA 0608

94 MARINE
TURBO DIESEL
+ SOLAS

INSTRUMENTENPANEL (STANDARD) (TILL -->2010)

06084084-0



INSTRUMENTENPANEL (STANDARD) (TILL -->2010)

94 MARINE
 TURBO DIESEL
 + SOLAS

06084084-0

Pos.	Part.-No.	Qty	Designation	Step
1	Z002635-0	1	PANEL ASSY.(NO VALID F.ALTER.PRESTOLITE)	.1
10	2178831-3	1	INSTRUMENT PANEL	.2
20	2178756-3	1	REVOLU. & OPERA. HOUR COUNTER	.2
30	2178229-2	1	COOLANT TEMPERATURE GAUGE	.2
40	2178761-4	1	GLOW-START SWITCH ASSY.(SPARE)	.2
50	2179290-0	1	WARNING-LIGHT CHECK ENGI. ASSY	.2
60	2179291-0	1	WARNING-LIGHT BATTERY CHARGE ASSY. 12V	.2
70	2179292-0	1	WARNING-LIGHT ENGINE-OIL ASSY.	.2
80	2178759-2	1	BLIND COVER	.2
90	2179320-0	1	BLIND PLUG	.2
94	Z002073-0	1	EMERGENCY CUTOFF SWITCH KIT	.2
96	2176170-0	1	O-RING 15x2	.2
100	2178760-1	1	HORN AUDIBLE WARNING	.2
110	3870051-0	2	HEX.NUT ISO 4032-M4-A4-70	.2
120	3930072-0	2	WASHER LA. SERIES ISO 7093-4.3-A4-200HV	.2
130	2206290-1	1	CABLE ASSY. INSTR. 7m (BLADE TERMINAL)	.2
131	Z002669-0	1	CABLE ASSY. INSTR. 7m (CONDUCTOR SLEEVE)	.2
160	9000192-0	4	SHEET METAL SCREW ISO 7050-ST3.5x16	.2
170	11345	1	BLADE FUSE 10A	.2
190	2206167-1	1	STUD	.2
201	2178227-2	1	OIL PRESSURE GAUGE 10 BAR (ACCESSORY)	.1
202	2178231-1	1	VOLTMETER 12V (ACCESSORY)	.1
205	2178761-2	1	KEY-SWITCH CONSTANT REVOLUTION (ACCESS.)	.1
210	2206290-4	1	CABLE ASSY. INSTR. 1,5m (BLADE TERMINAL)	.1
211	Z002670-0	1	CABLE ASSY. INSTR. 1.5m (CONDUCT. SLEEVE)	.1
215	2178242-4	3	GLASS SOCKET LAMP 12V 2W x 4,6D (OLD DESIGN)	.1
216	2179162-0	3	MINIATUR LAMP 12V/2W 10x28 (NEW DESIGN)	.1



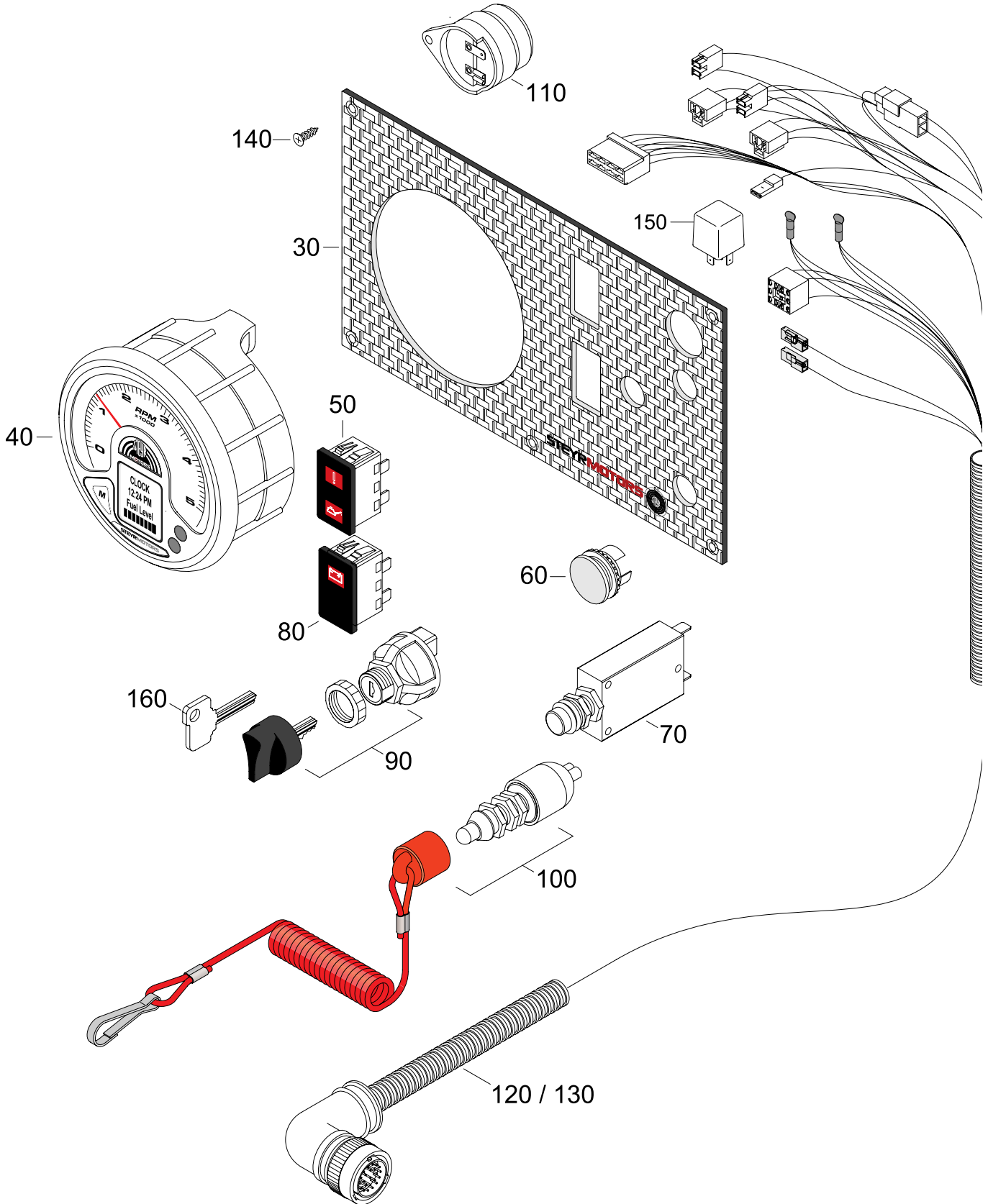


TA 0607

94 MARINE
TURBO DIESEL
+ SOLAS

INSTRUMENTENPANEL (STANDARD) (2010 - 2013/08)

06072184-1



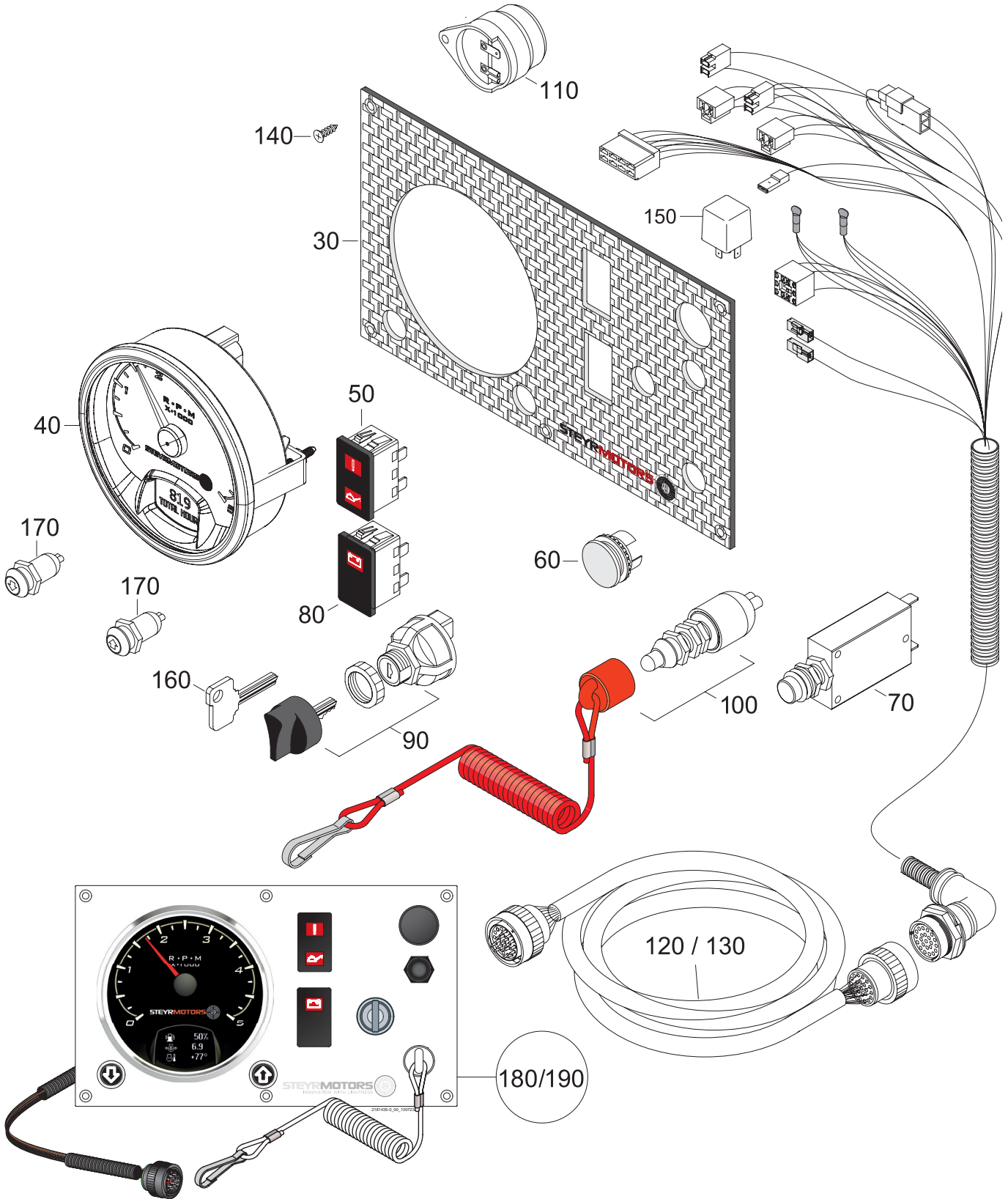


TA 0607

94 MARINE
TURBO DIESEL
+ SOLAS

INSTRUMENTENPANEL (STANDARD) (FROM 2013/08-->)

06072184-2



INSTRUMENTENPANEL (STANDARD) (FROM 2013/08-->)	94 MARINE <small>TURBO DIESEL</small> + SOLAS
--	---

06072184-2

Pos.	Part.-No.	Qty	Designation	Step
30	2181436-0	1	FRONT PLATE, INSTRUMENT PANEL - STANDARD	.1
40	2181437-0	1	REVOLUTION COUNTER	.1
50	Z002196-0	1	WARNING LIGHT, OIL PRESSURE & CHECK ENG.	.1
60	2179320-0	1	BLIND PLUG	.1
70	Z002180-0	1	THERMO PROTECTION SWITCH ASSY.	.1
80	Z002197-0	1	WARNING LIGHT, BATTERY CHARGE	.1
90	2179975-0	1	GLOW-START SWITCH	.1
100	2179978-0	1	EMERGENCY CUTOFF SWITCH	.1
110	2178760-1	1	HORN AUDIBLE WARNING	.1
120	2181438-0	1	CABLE ASSY. INSTRUMENT 7m	.1
130	2181444-0	1	CABLE ASSY. INSTRUMENT 1,5m	.1
140	9000817-0	6	CR.REC.COUNT.SUNK HD.TPG.SCR. 3.5x16	.1
150	9000183-0	1	RELAY 12V 40A	.1
160	2181496-0	1	IGNITION KEY, BLANK PART	.1
170	2181439-0	2	TASTER RPM GAUGE UP/DOWN	.1
180	2181435-0	1	INSTR. PANEL ASSY. (LED) 12V 7m	.1
190	2181440-0	1	INSTR. PANEL ASSY. (LED) 12V 1,5m	.1



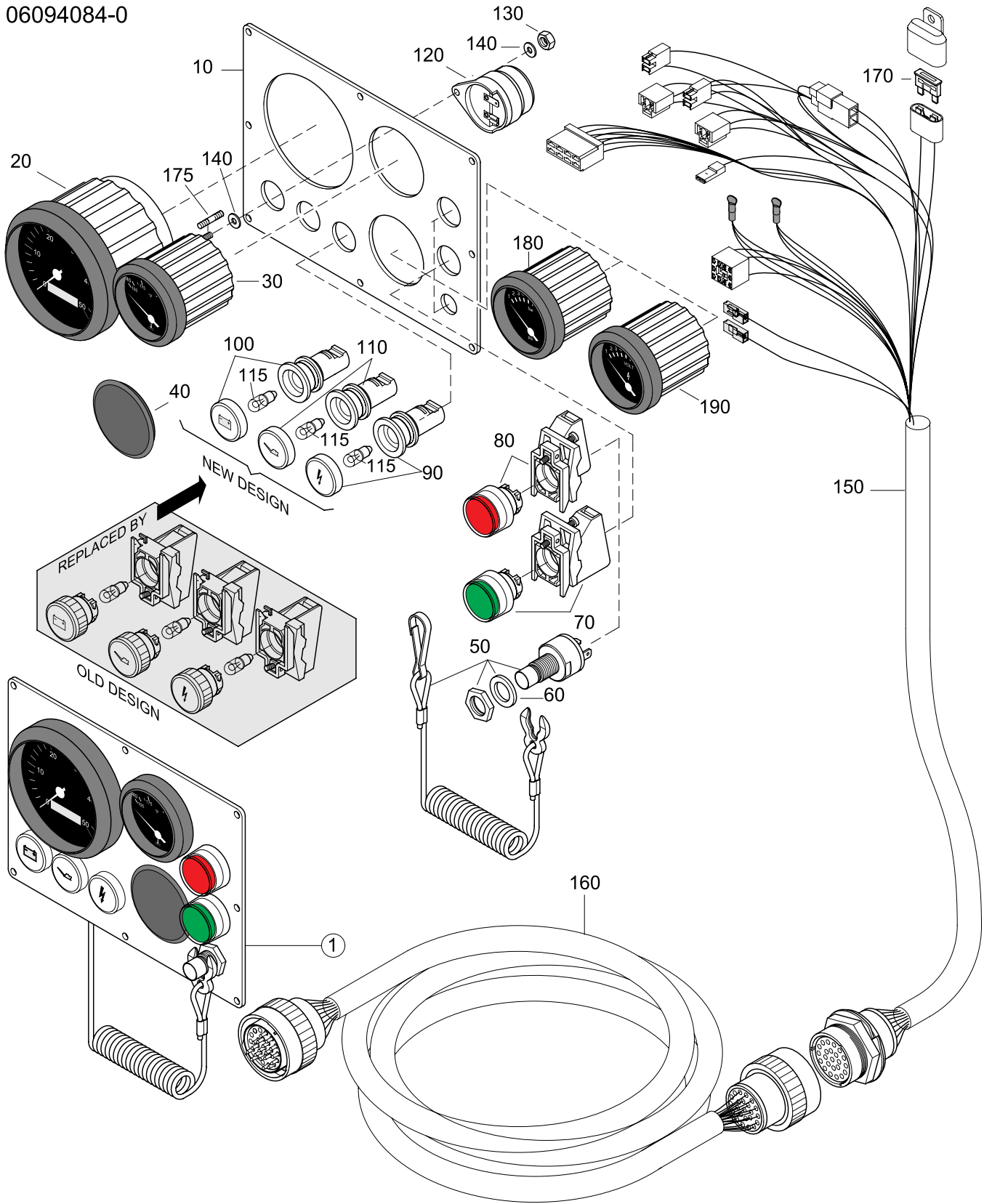


TA 0609

94 MARINE
TURBO DIESEL
+ SOLAS

INSTRUMENTENPANEL SOLAS (TILL -->2010)

06094084-0



INSTRUMENTENPANEL SOLAS (TILL -->2010)	94 MARINE TURBO DIESEL + SOLAS
--	--

06094084-0

Pos.	Part.-No.	Qty	Designation	Step
1	Z002122-0	1	PANEL ASSY. SOLAS	.1
10	2178831-4	1	INSTRUMENT PANEL SOLAS	.2
20	2178756-3	1	REVOLU. & OPERA. HOUR COUNTER	.2
30	2178229-2	1	COOLANT TEMPERATURE GAUGE	.2
40	2178759-2	1	BLIND COVER	.2
50	Z002714-0	1	MODIFI. KIT, EMERGENCY CUT OFF SWITCH	.2
60	2176170-0	1	O-RING 15x2	.2
70	2179294-0	1	SWITCH ASSY. START GREEN	.2
80	2179293-5	1	IGNITION SWITCH RED ASSY.	.2
90	2179290-0	1	WARNING-LIGHT CHECK ENGI. ASSY	.2
100	2179291-0	1	WARNING-LIGHT BATTERY CHARGE ASSY. 12V	.2
110	2179292-0	1	WARNING-LIGHT ENGINE-OIL ASSY.	.2
115	2179162-0	3	MINIATUR LAMP 12V/2W 10x28	.2
120	2178760-1	1	HORN AUDIBLE WARNING	.2
130	3870051-0	2	HEX.NUT ISO 4032-M4-A4-70	.2
140	3930072-0	2	WASHER LA. SERIES ISO 7093-4.3-A4-200HV	.2
150	Z002671-0	1	CABLE ASSY. INSTR. 1.5m SOLAS	.2
160	2206291-1	1	INTERMEDIATE CABLE 5m	.2
170	11345	1	BLADE FUSE 10A	.2
175	2206167-1	1	STUD	.2
180	2178227-2	1	OIL PRESSURE GAUGE 10 BAR (ACCESSORY)	.1
190	2178231-1	1	VOLTMETER 12V (ACCESSORY)	.1



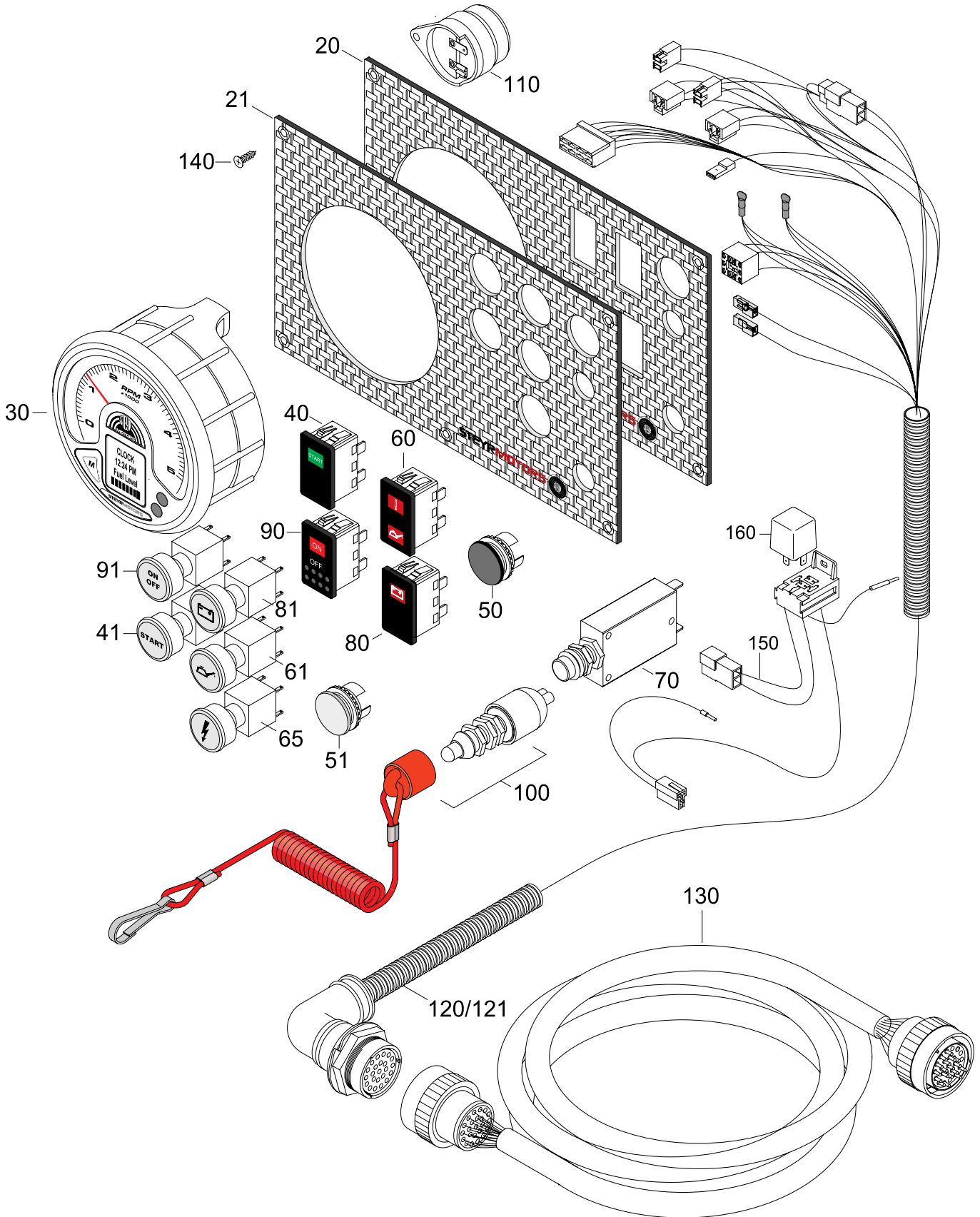


TA 0609

94 MARINE
TURBO DIESEL
+ SOLAS

INSTRUMENTENPANEL SOLAS (2010 - 2013/08)

06092184-1



INSTRUMENTENPANEL SOLAS (2010 - 2013/08)	94 MARINE <small>TURBO DIESEL</small> + SOLAS
---	---

06092184-1

Pos.	Part.-No.	Qty	Designation	Step
20	2179982-0	1	FRONT PLATE, INSTRUMENT PANEL - SOLAS	.1
21	2180795-0	1	FRONT PLATE, INSTRUMENT PANEL - SOLAS	.1
30	Z001150-0	1	CHANGE PANEL - SPARE PART KIT SOLAS	.2
40	Z002198-0	1	START SWITCH, GREEN	.2
41	2180779-0	1	START SWITCH, GREEN	.2
50	2179320-0	1	BLIND PLUG	.2
51	2180797-0	1	BLIND PLUG	.2
60	Z002196-0	1	WARNING LIGHT, OIL PRESSURE & CHECK ENG.	.2
61	2180776-0	1	WARNING LIGHT, OIL PRESSURE	.2
65	2180778-0	1	WARNING LIGHT, CHECK ENGINE	.2
70	Z002180-0	1	THERMO PROTECTION SWITCH ASSY.	.2
80	Z002197-0	1	WARNING LIGHT, BATTERY CHARGE	.2
81	2180777-0	1	WARNING LIGHT, BATTERY CHARGE	.2
90	Z002199-0	1	IGNITION SWITCH	.2
91	2180780-0	1	IGNITION SWITCH	.2
100	2179978-0	1	EMERGENCY CUTOFF SWITCH	.2
110	2178760-1	1	HORN AUDIBLE WARNING	.2
120	2180074-0	1	CABLE ASSY. INSTRUMENT (2009 - 2011/06)	.2
121	2180796-0	1	CABLE ASSY. INSTRUM. (2011/06 - 2013/08)	.2
130	2206291-1	1	INTERMEDIATE CABLE 5m	.2
140	9000817-0	6	CR.REC.COUNT.SUNK HD.TPG.SCR. 3.5x16	.2
150	2180512-0	1	INTERMEDIATE CABLE CHARGE INDICATOR 24V	.1
160	9000183-0	1	RELAY 12V 40A	.1



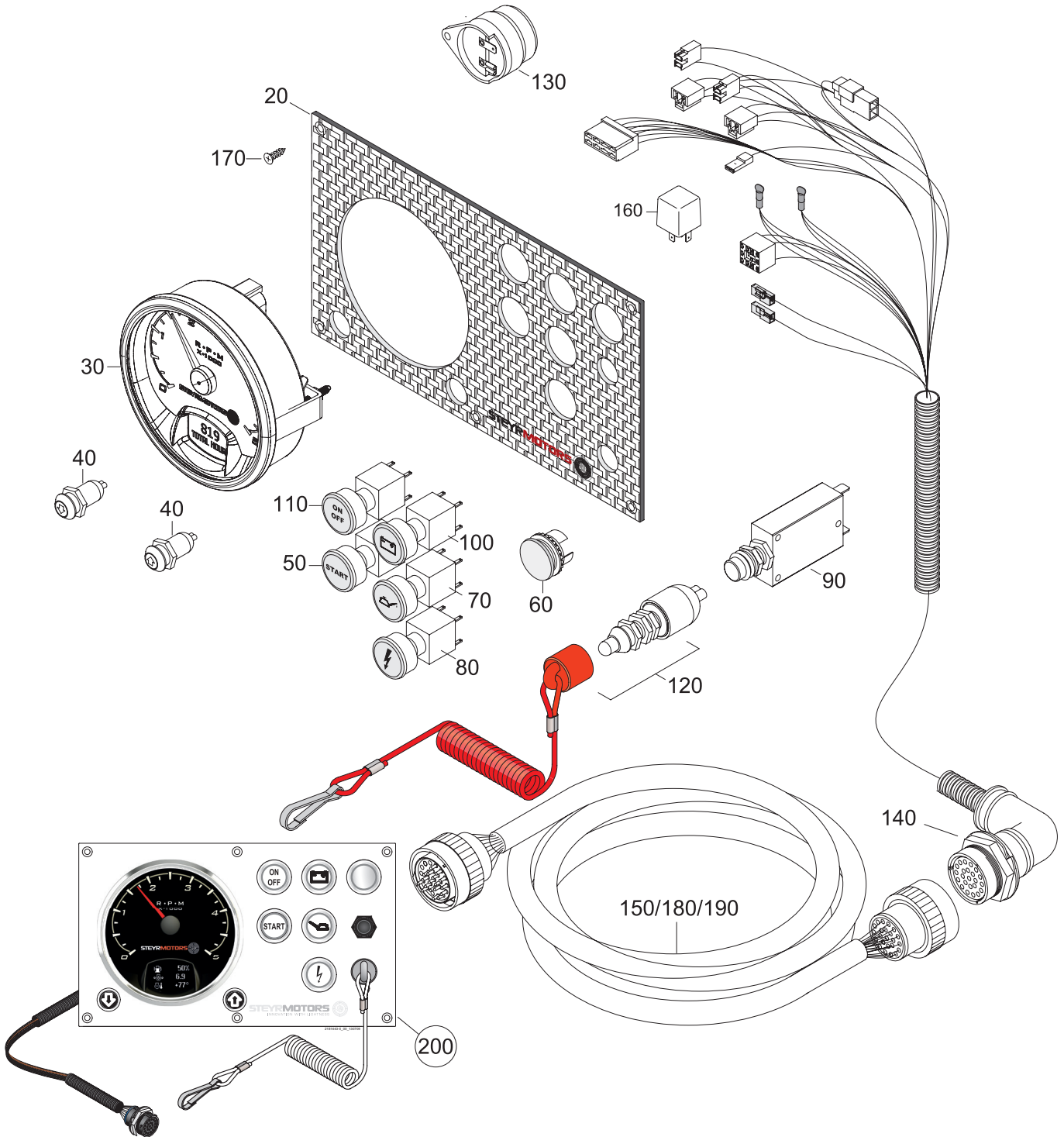


TA 0609

94 MARINE
TURBO DIESEL
+ SOLAS

INSTRUMENTENPANEL SOLAS (FROM 2013/08-->)

06092184-5



INSTRUMENTENPANEL SOLAS (FROM 2013/08-->)



06092184-5

Pos.	Part.-No.	Qty	Designation	Step
20	2181447-0	1	FRONT PLATE, INSTRUMENT PANEL - SOLAS	.1
30	2181437-0	1	REVOLUTION COUNTER	.1
40	2181439-0	2	TASTER RPM GAUGE UP/DOWN	.1
50	2180779-0	1	START SWITCH, GREEN	.1
60	2180797-0	1	BLIND PLUG	.1
70	2180776-0	1	WARNING LIGHT, OIL PRESSURE	.1
80	2180778-0	1	WARNING LIGHT, CHECK ENGINE	.1
90	Z002180-0	1	THERMO PROTECTION SWITCH ASSY.	.1
100	2180777-0	1	WARNING LIGHT, BATTERY CHARGE	.1
110	2180780-0	1	IGNITION SWITCH	.1
120	2179978-0	1	EMERGENCY CUTOFF SWITCH	.1
130	2178760-1	1	HORN AUDIBLE WARNING	.1
140	2181446-0	1	CABLE ASSY. INSTRUMENT 1,5m SOLAS	.1
150	2206291-1	1	INTERMEDIATE CABLE 5m	.1
160	9000183-0	1	RELAY 12V 40A	.1
170	9000817-0	6	CR.REC.COUNT.SUNK HD.TPG.SCR. 3.5x16	.1
180	2206324-0	1	INTERMEDIATE CABLE 10m	.1
190	2206291-8	1	INTERMEDIATE CABLE 12m	.1
200	2181443-0	1	INSTR. PANEL ASSY. 1,5m (LED) SOLAS	.1



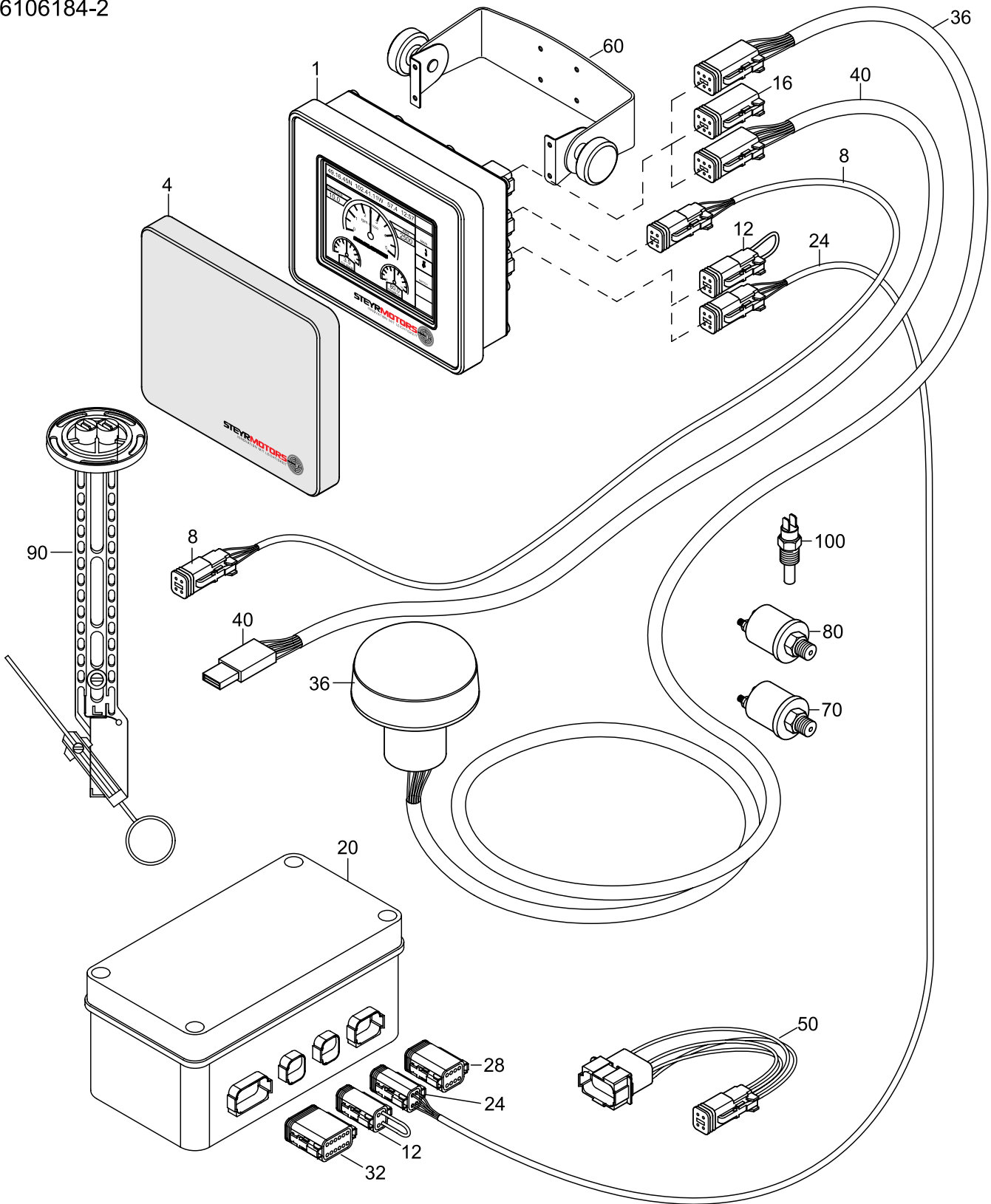


TA 0610

94 MARINE
TURBO DIESEL
+ SOLAS

DISPLAY (ACCESSORY)

06106184-2



DISPLAY (ACCESSORY)

94 MARINE
TURBO DIESEL
+ SOLAS

06106184-2

Pos.	Part.-No.	Qty	Designation	Step
1	Z002132-0	1	STEYR CONTROL CENTER (SPARE PART)	.1
4	2179637-0	1	PROTECTIVE COVERING - SCC	.2
8	2206313-0	1	SUPPLY CABLE SCC->PANEL (4-POLE)	.2
12	2206314-0	1	CONNECTOR CAN-TERMINATOR (4-POLE)	.2
16	2179638-0	1	DUMMY PLUG 6-POLE	.2
20	2179156-2	1	I/O BOX	.1
24	2206315-0	1	CONNECTING CABLE I/O BOX -> SCC (4-POLE)	.2
28	2179639-0	1	DUMMY PLUG 8-POLE	.2
32	2179640-0	1	DUMMY PLUG 12-POLE	.2
36	2179641-0	1	GPS-SENSOR ASSY	.1
40	2179607-0	1	SCC CONFIGURATIONS CABLE 1,8m USB 2.0	.1
50	2179636-0	1	ADAPTER CABLE SPORTLINE TO SCC	.1
60	Z002177-0	1	KIT MOUNTING BRACHETS F. SCC	.1
70	Z002640-0	1	OIL PRESSURE SENSOR 2-POLE (ACCESSORY)	.1
80	2179519-0	1	OIL PRESSURE SENSOR ZF-GEARBOX	.1
90	2179331-0	1	FUEL TANK SENSOR	.1
100	500291	1	SPARE KIT TEMPERATURE SENSOR, GEAR BOX	.1



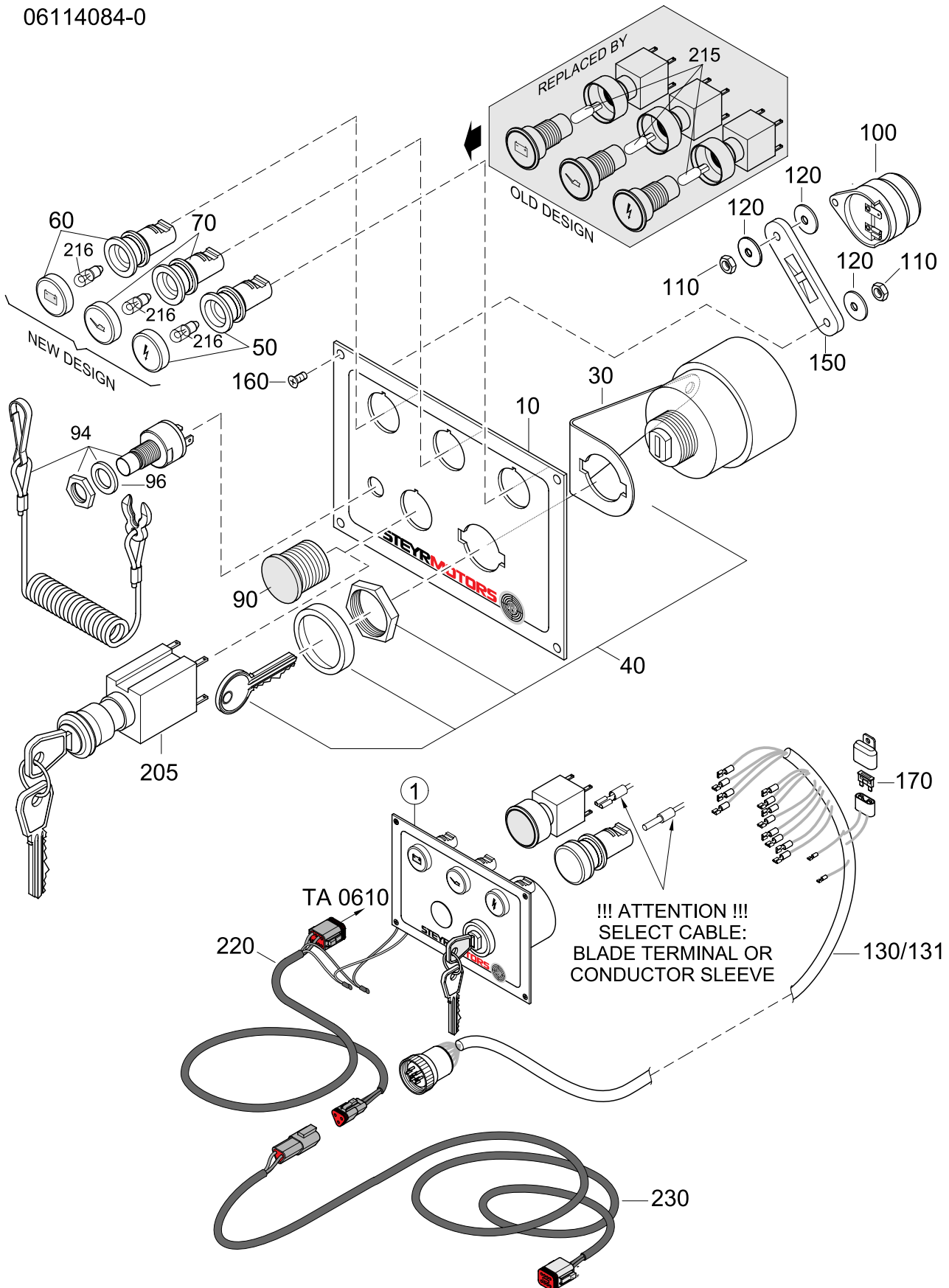


TA 0611

94 MARINE
TURBO DIESEL
+ SOLAS

SWITCH PANEL FOR DISPLAY TILL -->2010

06114084-0



SWITCH PANEL FOR DISPLAY TILL -->2010**94 MARINE**
TURBO DIESEL
+ **SOLAS**

06114084-0

Pos.	Part.-No.	Qty	Designation	Step
1	Z002123-0	1	SWITCH PANEL ASSY. (ALTERN. ISKRA)	.1
10	2179134-1	1	INSTRUMENT PANEL	.2
30	2179173-0	1	SHACKLE STRAIN RELIEF, PANEL (NEW DESIGN)	.2
40	2178761-4	1	GLOW-START SWITCH ASSY.(SPARE)	.2
50	2179290-0	1	WARNING-LIGHT CHECK ENGI. ASSY	.2
60	2179291-0	1	WARNING-LIGHT BATTERY CHARGE ASSY. 12V	.2
70	2179292-0	1	WARNING-LIGHT ENGINE-OIL ASSY.	.2
90	2179320-0	1	BLIND PLUG	.2
94	Z002073-0	1	EMERGENCY CUTOFF SWITCH KIT	.2
96	2176170-0	1	O-RING 15x2	.2
100	2178760-1	1	HORN AUDIBLE WARNING	.2
110	3870051-0	4	HEX.NUT ISO 4032-M4-A4-70	.2
120	3930072-0	6	WASHER LA. SERIES ISO 7093-4.3-A4-200HV	.2
130	2206290-1	1	CABLE ASSY. INSTR. 7m (BLADE TERMINAL)	.2
131	Z002669-0	1	CABLE ASSY. INSTR. 7m (CONDUCTOR SLEEVE)	.2
150	2178870-1	1	FIXTURE, CABLE TIE (OLD DESIGN)	.2
160	9000192-0	4	SHEET METAL SCREW ISO 7050-ST3.5x16	.2
170	11345	1	BLADE FUSE 10A	.2
205	2178761-2	1	KEY-SWITCH CONSTANT REVOLUTION (ACCESS.)	.2
215	2178242-4	3	GLASS SOCKET LAMP 12V 2W x 4,6D (OLD DESIGN)	.2
216	2179162-0	3	MINIATUR LAMP 12V/2W 10x28 (NEW DESIGN)	.2
220	Z002131-0	1	CONNECTING CABLE-CANBUS WITH CONNECTOR	.1
230	2179150-1	1	INTERMEDIATE CABLE - CANBUS WITH CONN.	.1



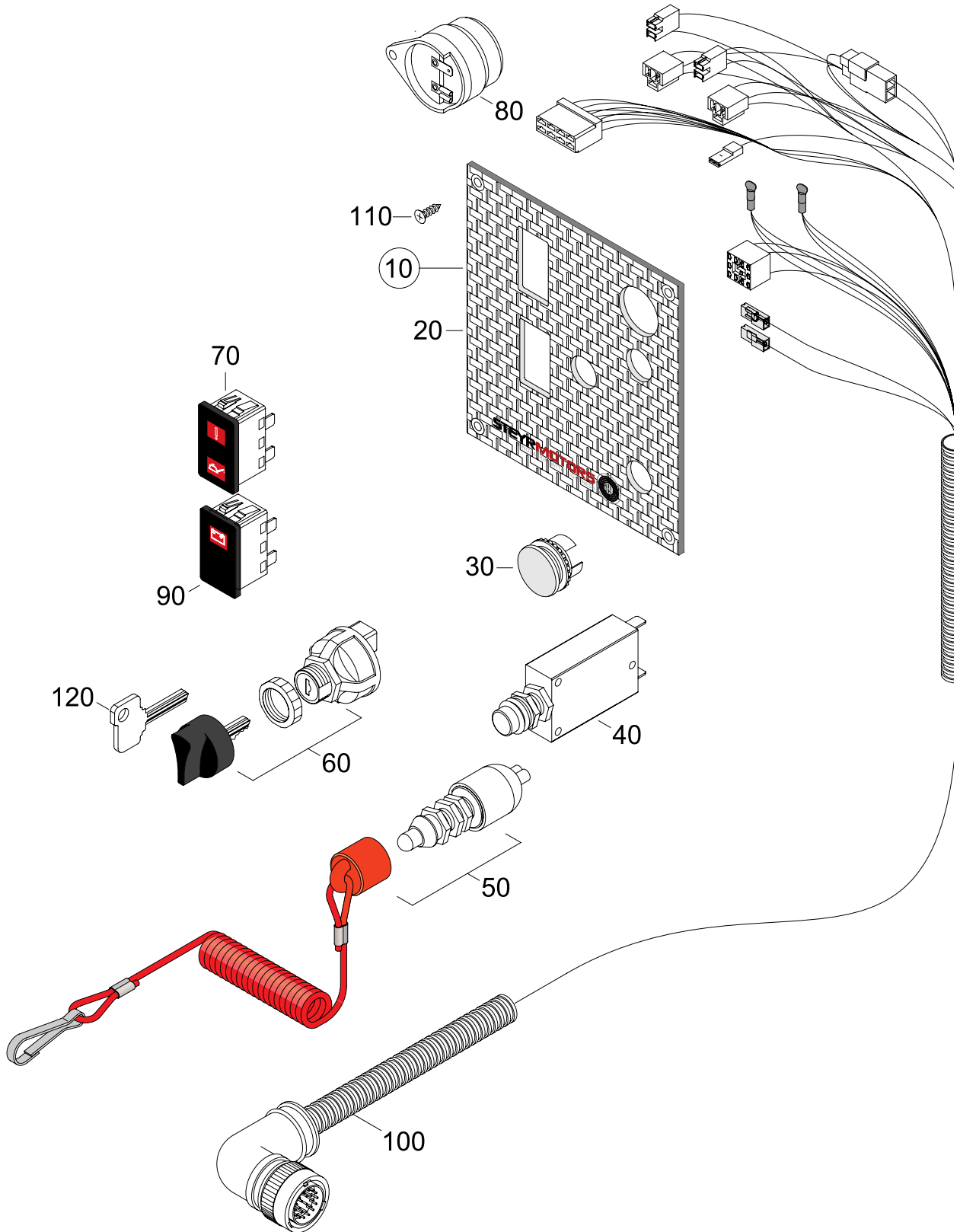


TA 0611

94 MARINE
TURBO DIESEL
+ SOLAS

SWITCH PANEL FOR DISPLAY FROM 2010-->

06112184-1



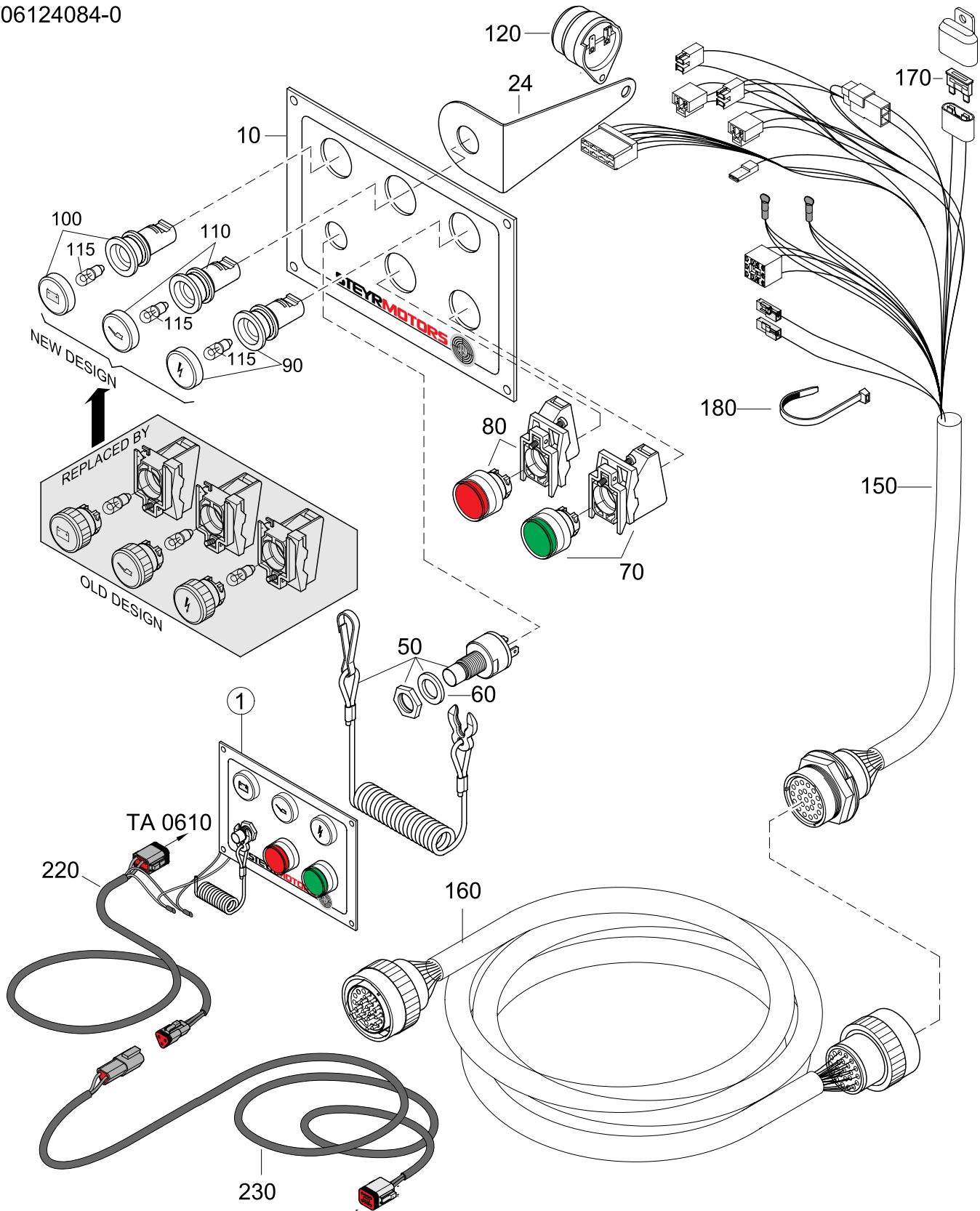


TA 0612

94 MARINE
TURBO DIESEL
+ SOLAS

PUSH BUTTON PANEL SOLAS FOR DISPLAY TILL -->2010

06124084-0



PUSH BUTTON PANEL SOLAS FOR DISPLAY TILL -->2010

94 MARINE
TURBO DIESEL
+ **SOLAS**

06124084-0

Pos.	Part.-No.	Qty	Designation	Step
1	Z002124-0	1	PUSH BUT. PANEL SOLAS (ALTERN. ISKRA)	.1
10	2179135-1	1	BASE PLATE INSTRUMENT PANEL SOLAS	.2
24	2179173-1	1	SHACKLE STRAIN RELIEF, PANEL	.2
50	Z002073-0	1	EMERGENCY CUTOFF SWITCH KIT	.2
60	2176170-0	1	O-RING 15x2	.2
70	2179294-0	1	SWITCH ASSY. START GREEN	.2
80	2179293-0	1	IGNITION SWITCH RED ASSY.	.2
90	2179290-0	1	WARNING-LIGHT CHECK ENGI. ASSY	.2
100	2179291-0	1	WARNING-LIGHT BATTERY CHARGE ASSY. 12V	.2
110	2179292-0	1	WARNING-LIGHT ENGINE-OIL ASSY.	.2
115	2179162-0	3	MINIATUR LAMP 12V/2W 10x28	.2
120	2178760-1	1	HORN AUDIBLE WARNING	.2
130	3870051-0	2	HEX.NUT ISO 4032-M4-A4-70	.2
140	3930072-0	2	WASHER LA. SERIES ISO 7093-4.3-A4-200HV	.2
150	Z002671-0	1	CABLE ASSY. INSTR. 1.5m SOLAS	.2
160	2206291-1	1	INTERMEDIATE CABLE 5m	.2
170	11345	1	BLADE FUSE 10A	.2
180	3171035-0	6	TIE STRAP N 05199-B4,8x180	.2
220	Z002131-0	1	CONNECTING CABLE-CANBUS WITH CONNECTOR	.1
230	2179150-1	1	INTERMEDIATE CABLE - CANBUS WITH CONN.	.1



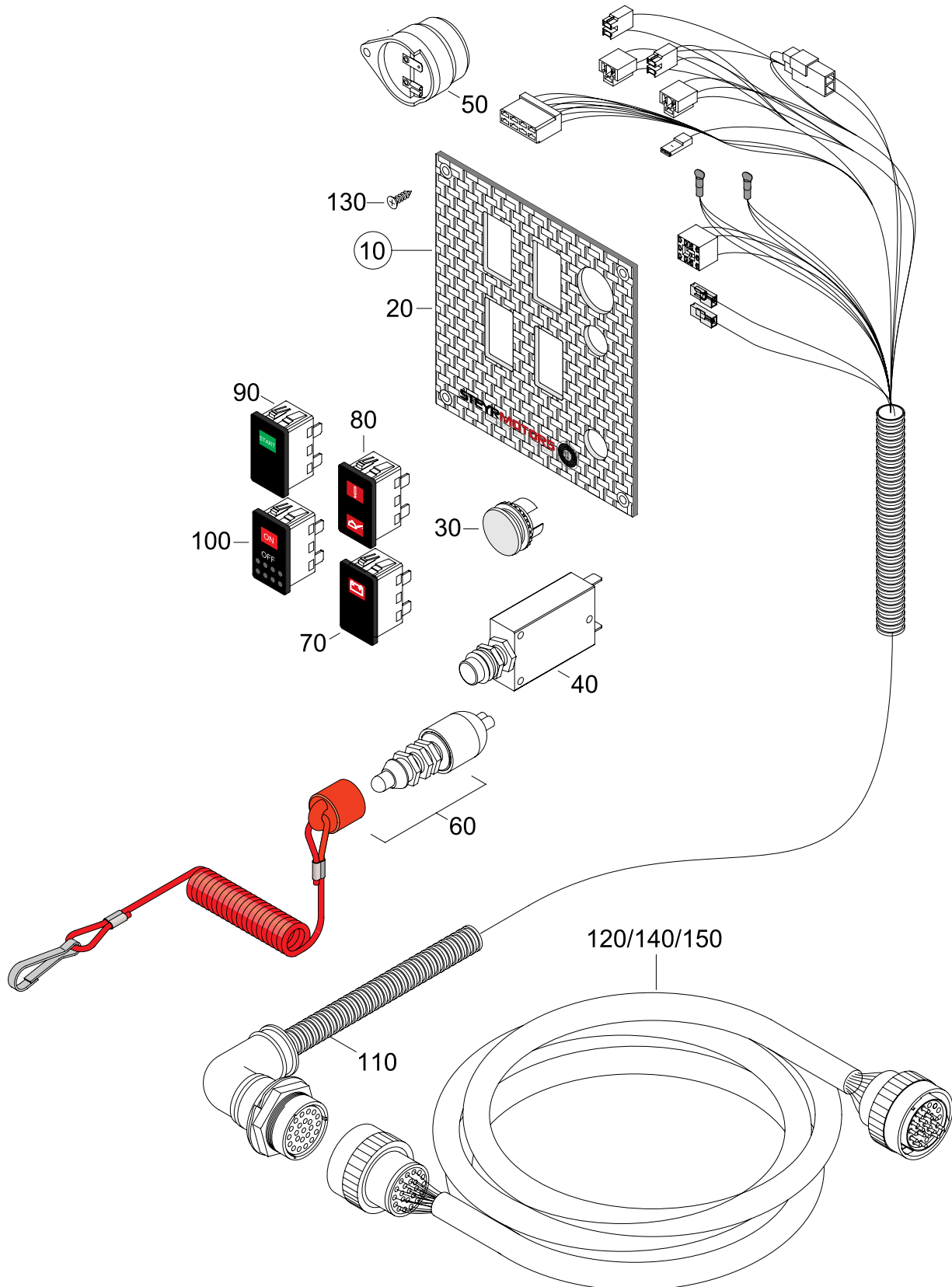


TA 0612

94 MARINE
TURBO DIESEL
+ SOLAS

PUSH BUTTON PANEL SOLAS FOR DISPLAY FROM 2010-->

06122184-1





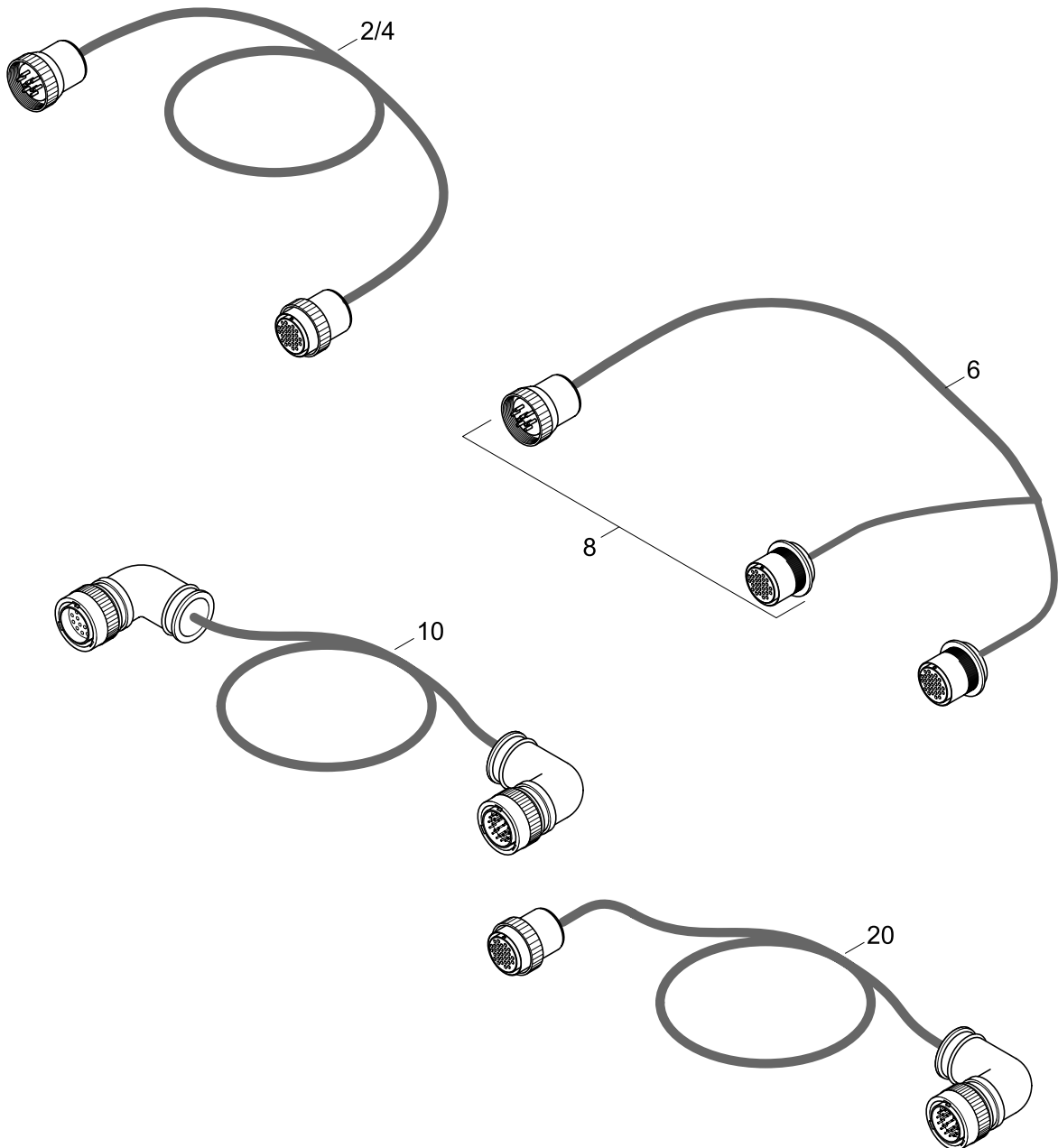
TA 0613

94 MARINE
TURBO DIESEL
+ SOLAS

EXTENSION CABLE INSTRUMENTS (ACCESSORY)

06136184-0

NOTE: NOT COMPATIBLE WITH "SOLAS" INSTRUMENT PANEL





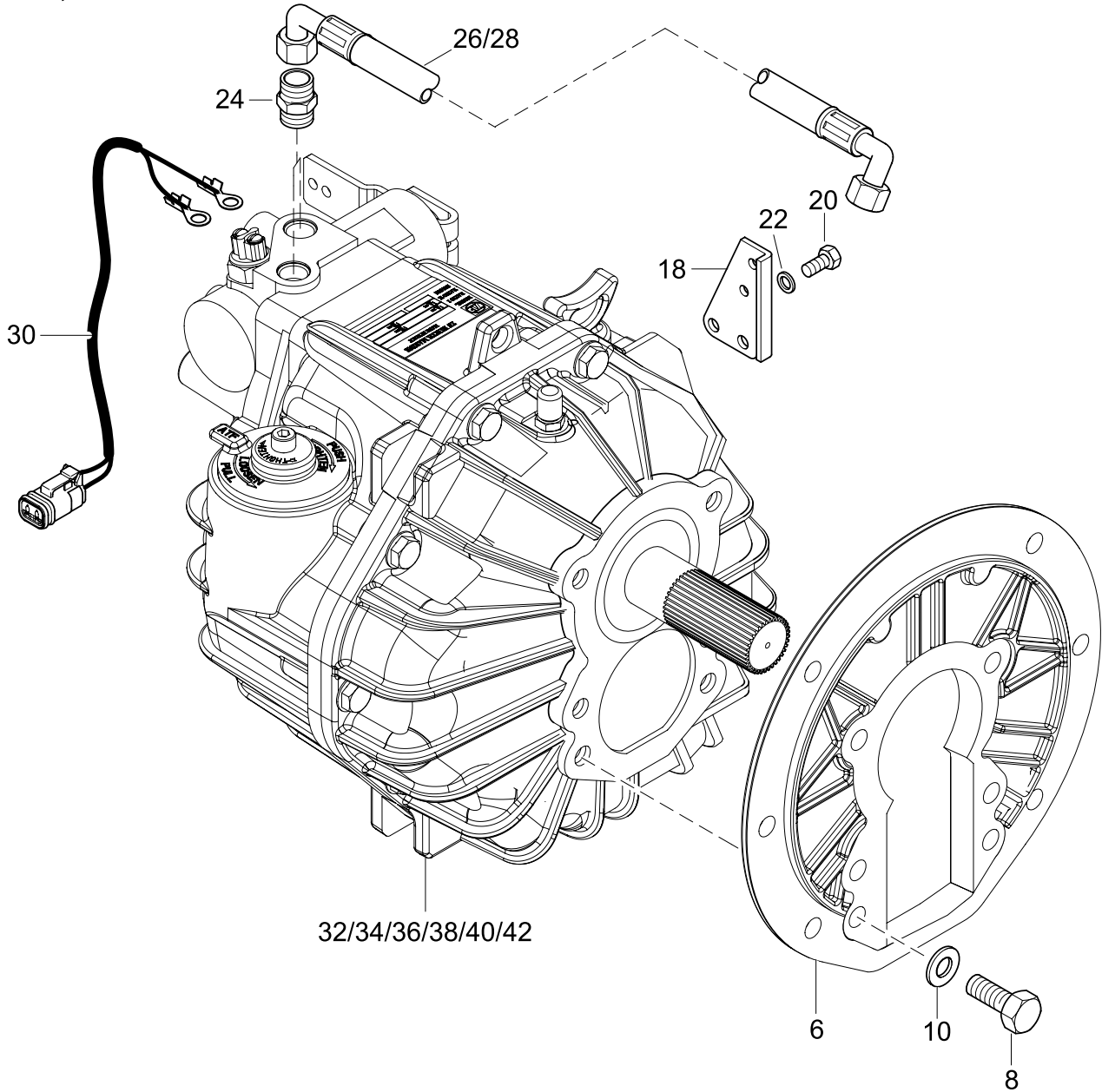
TA 0700

94 MARINE
TURBO DIESEL
+ SOLAS

TRANSMISS., MOUNTING BRACKETS, PIPES

07004034-0

ZF 25, 25A



TRANSMISS., MOUNTING BRACKETS, PIPES	
---	---

07004034-0

Pos.	Part.-No.	Qty	Designation	Step
6	2179105-0	1	ADAPTOR FLANGE B/W - ZF 25 & 25A	.1
8	3802527-0	6	HEX.HD.SCR. ISO 4017-M10x30-A4	.1
10	3932025-0	6	SPRING WASHER DIN137-A10-FST-FLZNNC-480H	.1
18	2178711-9	1	BRACKET SHIFT CABLE (RAL9006)	.1
20	3800224-0	2	HEX.HD.SCR. ISO 4017-M8x20-A4-70	.1
22	3930103-0	2	WASHER ISO 7089-8-A4-200HV	.1
24	Z011655-0	2	THREADED SOCKET 3/8NPT-M18x1,5	.1
26	2178731-0	1	OIL HOSE L=690mm	.1
28	2178732-0	1	OIL HOSE L=825mm	.1
30	2178745-1	1	HARNESS GEAR-SWITCH	.1
32	2179009-6	1	GEARBOX ASSY. ZF 25 A I=2.29 (RAL9006)	.1
34	2179009-5	1	GEARBOX ASSY. ZF 25 A I=2.71 (RAL9006)	.1
36	2179009-7	1	GEARBOX ASSY. ZF 25 A I=1.93 (RAL9006)	.1
38	2179009-8	1	GEARBOX ASSY. ZF 25 A I=1.55 (RAL9006)	.1
40	2179106-5	1	GEARBOX ASSY. ZF 25 I=1.97 (RAL9006)	.1
42	2179106-6	1	GEARBOX ASSY. ZF 25 I=2.80 (RAL9006)	.1



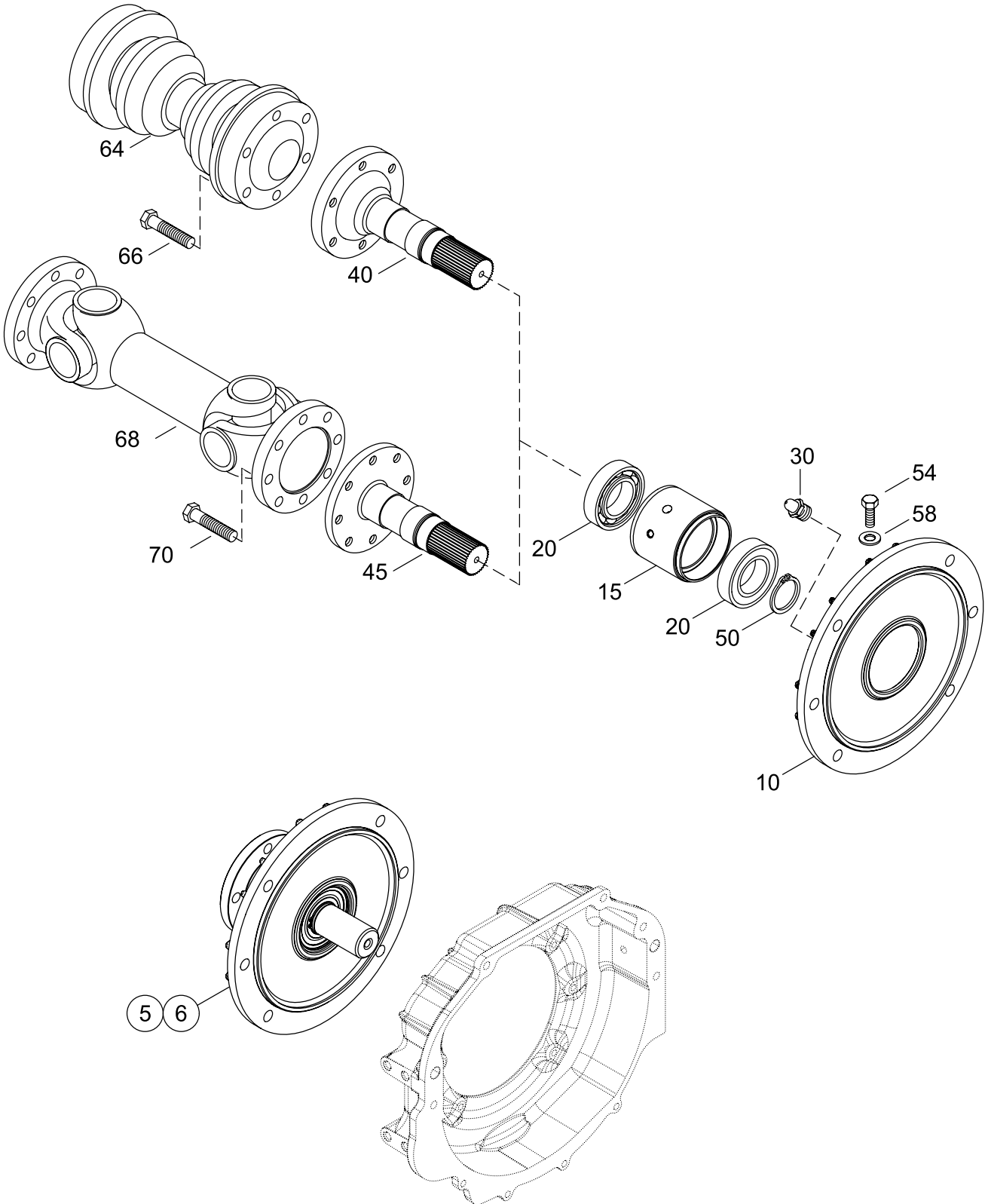


TA 0701

94 MARINE
TURBO DIESEL
+ SOLAS

TRANSMISSION-SHAFT, PTO-SHAFT (ALU)

07016184-0



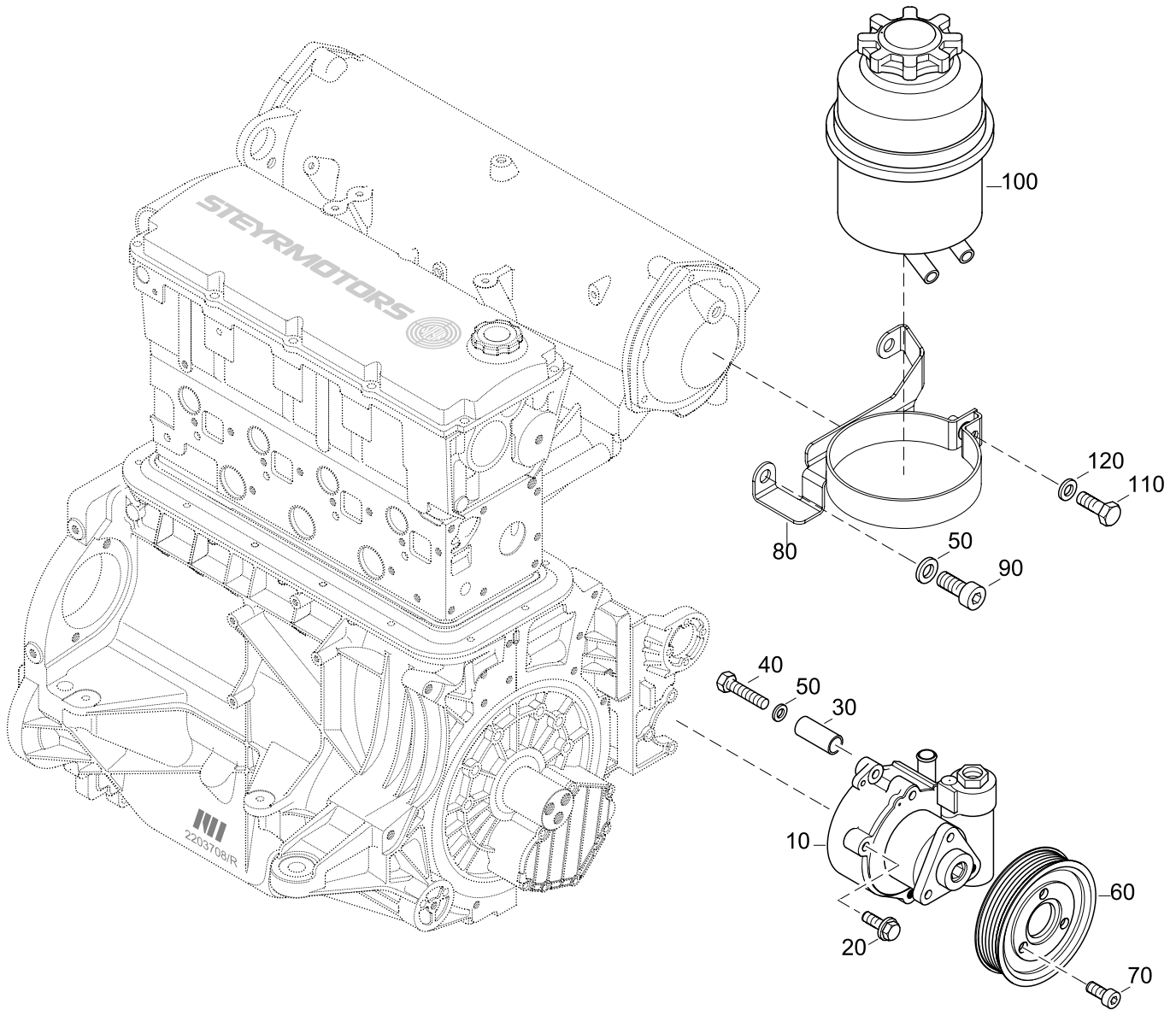


TA 1408

94 MARINE
TURBO DIESEL
+ SOLAS

HYDRAULIC PUMP

14084084-0





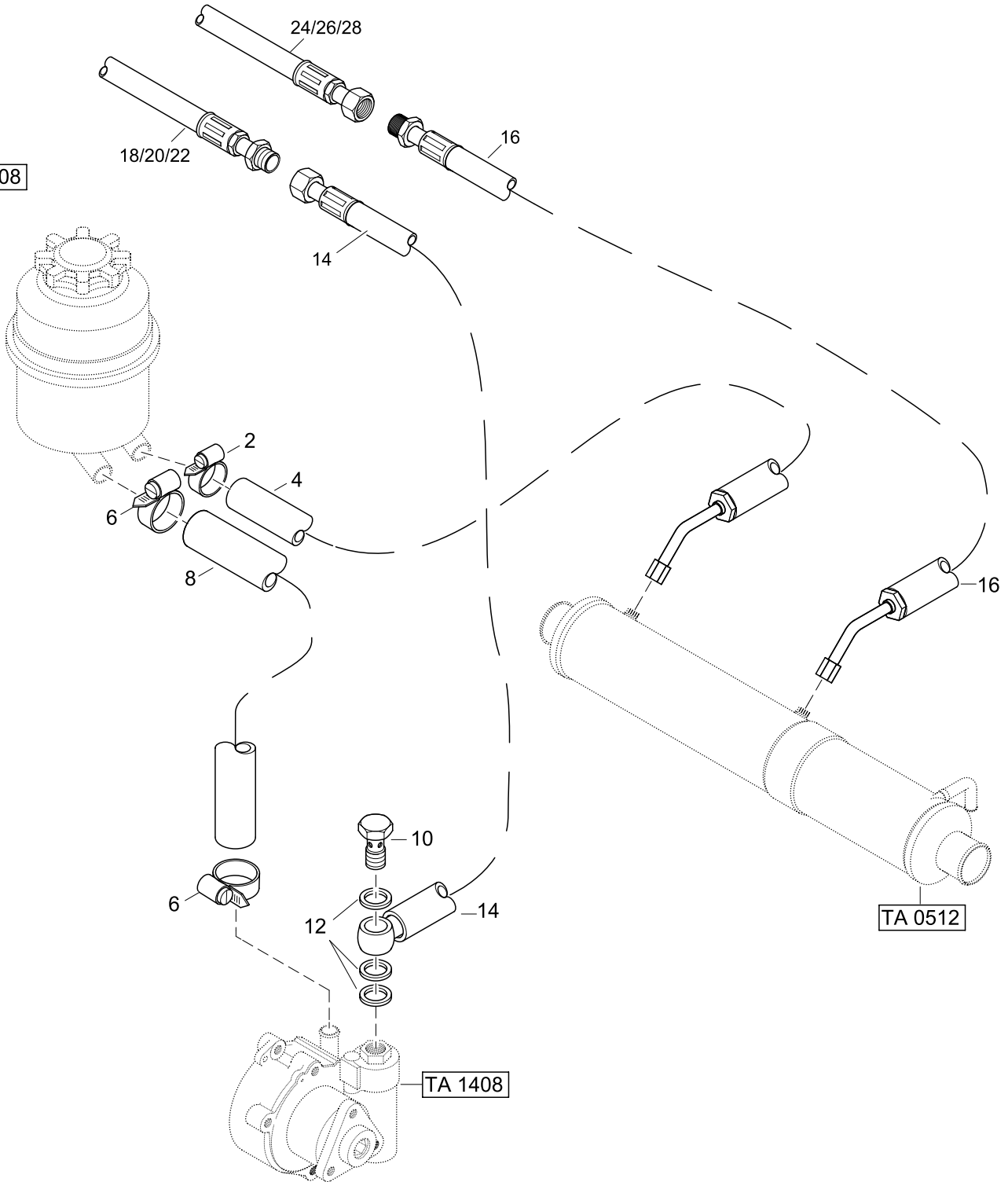
TA 1409

94 MARINE
TURBO DIESEL
+ SOLAS

HYDRAULIC PIPES

14094084-0

TA 1408



HYDRAULIC PIPES

94MARINE
TURBO DIESEL
+**SOLAS**

14094084-0

Pos.	Part.-No.	Qty	Designation	Step
2	2178655-0	1	HOSE CLAMP 12-20/9	.1
4	2178936-1	1	HOSE, OIL COOLER-OILTANK	.1
6	2177753-0	2	HOSE CLAMP 16-25/9	.1
8	2178573-0	1	HOSE, RESERVOIR HYDR. PUMP	.1
10	2180201-0	1	HOLLOW SCREW M16x1,5 RW	.1
12	3098016-0	3	SEALING RING DIN 7603-A16x20-CU	.1
14	2178905-0	1	HOSE, PUMP-CYLINDER	.1
16	2178906-0	1	HOSE, CYLINDER-OIL COOLER	.1
18	2178905-M	1	HOSE, PUMP-CYL. BRAVO STERN DR.(SCREWED)	.1
20	2178905-S	1	HOSE, PUMP->CYL. BRAVO STERN DR.	.1
22	2178905-A	1	HOSE PUMP-CYL. ALPHA&K.COBRA STERN DRIVE	.1
24	2178906-M	1	HOSE BRAVO STERN DR.-OIL COOLER(SCREWED)	.1
26	2178906-S	1	HOSE, ZYL. BRAVO STERNDR.-->OIL COOLER	.1
28	2178906-A	1	HOSE CYL. ALPHA&K.COBRA ST.DRIVE -COOLER	.1



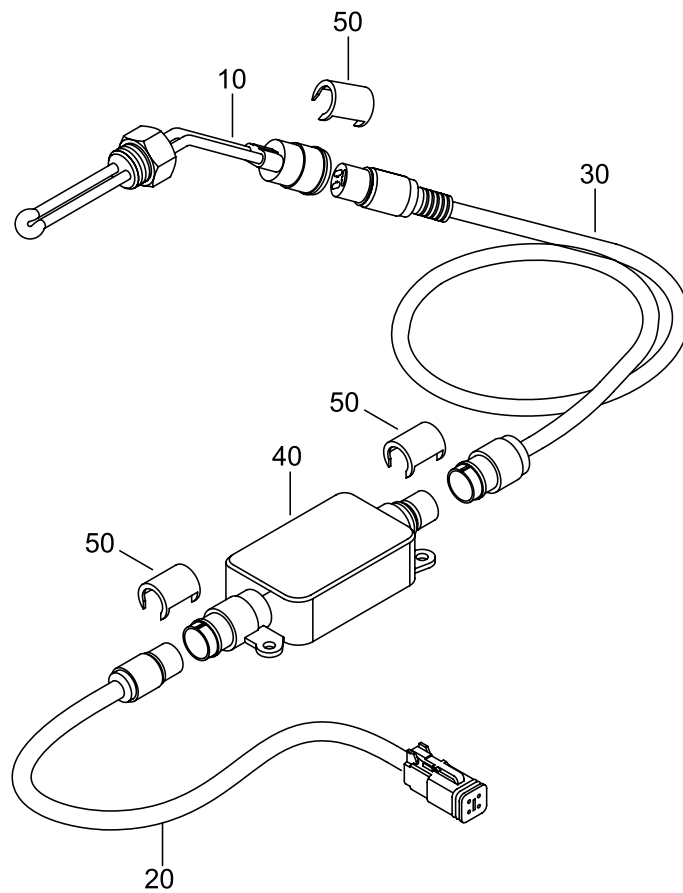
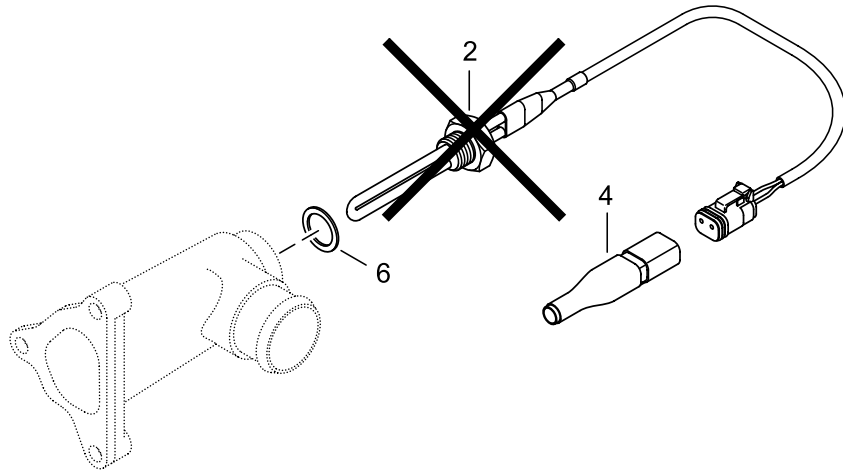


TA 2207

94 MARINE
TURBO DIESEL
+ SOLAS

ENGINE PREHEATING (ACCESSORY)

22076184-0



ENGINE PREHEATING (ACCESSORY)	94 MARINE <small>TURBO DIESEL</small> + SOLAS
--------------------------------------	---

22076184-0

Pos.	Part.-No.	Qty	Designation	Step
2	Z002202-0	1	KIT BLOCK HEAT. DEVICE 42V-300W (RETRO)	.1
4	2178982-5	1	THERMO SWITCH, PREHEATING DEVICE	.1
6	3098026-0	1	SEALING RING DIN 7603-A22x27-CU	.1
10	2180393-0	1	BLOCK HEATING DEVICE 42V - 300W	.1
20	2180396-0	1	CABLE ENGINE PREHEATING DEVICE 0,5m	.1
30	2206318-0	1	CABLE ENGINE PREHEATING DEVICE, 2m	.1
40	2180395-0	1	THERMO SWITCH	.1
50	2180695-0	3	SAFETY LOCK	.1



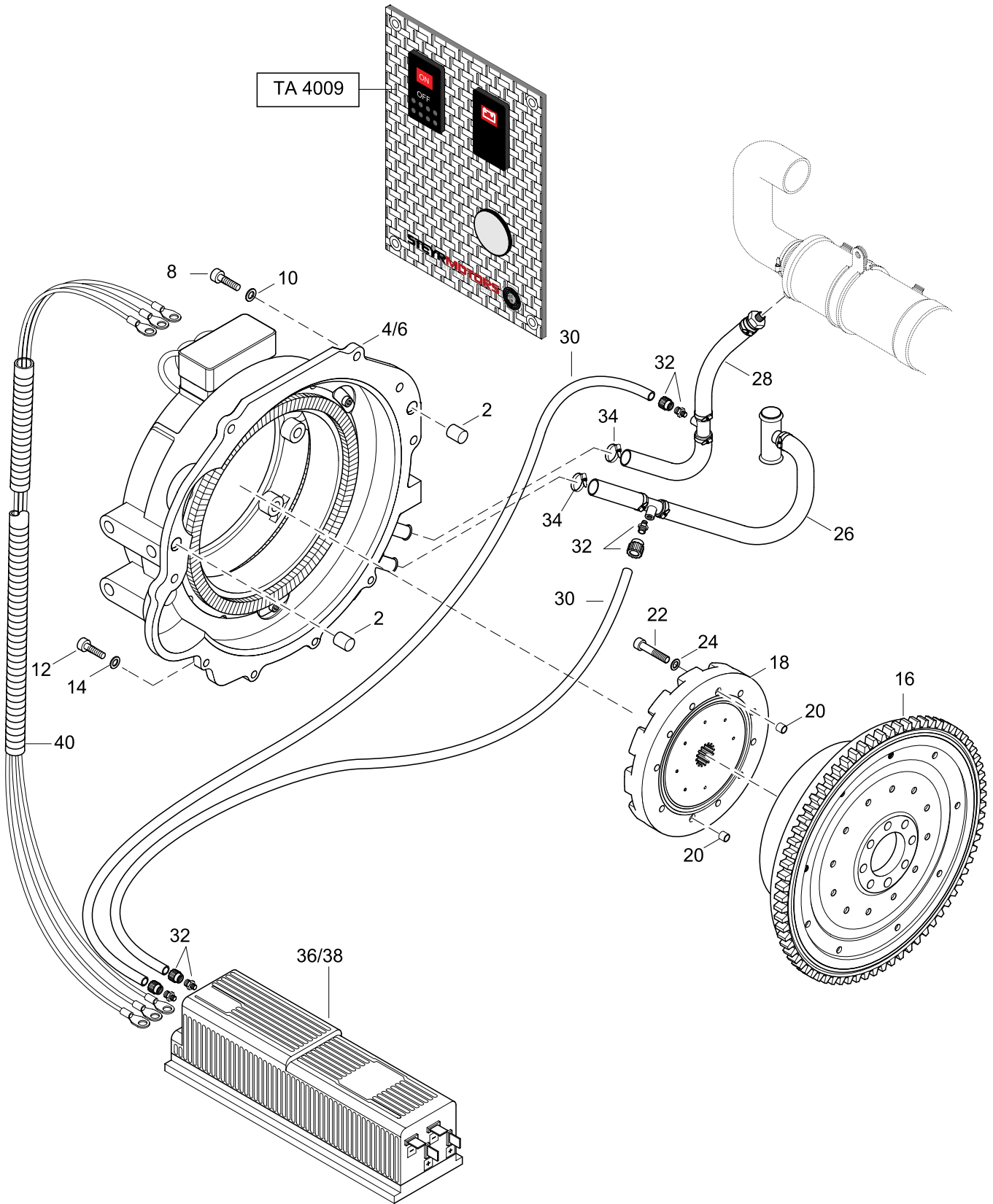


TA 4000

94 MARINE
TURBO DIESEL
+ SOLAS

INTEGR. FLYWHEELGENERATOR (IFG) (ACCESSORY)

40004084-0



INTEGR. FLYWHEELGENERATOR (IFG) (ACCESSORY)

94 MARINE
 TURBO DIESEL
 + SOLAS

40004084-0

Pos.	Part.-No.	Qty	Designation	Step
2	9000490-0	2	PARALLEL PIN 16m6x22-ST	.1
4	Z002104-0	1	S.P.FLYWHEEL HSG. IFG 24V ASSY (RAL9006)	.1
6	Z002105-0	1	S.P.FLYWHEEL HSG. IFG 12V ASSY (RAL9006)	.1
8	3862545-0	5	HEX.SOCK. SCR. ISO 4762-M10x35-A2-70	.1
10	3930075-0	5	WASHER ISO 7089-10-A4-200HV	.1
12	3862433-0	4	HEX.SOCK. SCR. ISO 4762-M8x30-A4-70	.1
14	3930103-0	4	WASHER ISO 7089-8-A4-200HV	.1
16	Z002430-0	1	S.P.FLYWHEEL 4 CYL. IFG ASSY. (BALANCED)	.1
18	Z002106-0	1	S.P. COUPLER	.1
20	2203543-0	2	FITTING SLEEVE	.1
22	9000473-0	12	HEX.SOCK. SCR. ISO 4762-M8x100-12.9-GEO	.1
24	3930103-0	12	WASHER ISO 7089-8-A4-200HV	.1
26	Z002107-0	1	COOLING WATER HOSE ASSY. IFG (RETURN)	.1
28	Z002108-0	1	COOLING WATER HOSE ASSY. IFG (SUPPLY)	.1
30	2179298-0	2	HOSE 8x1.25 L=2000mm	.1
32	2179297-0	4	FAST SCREW CONNECTION	.1
34	2178655-0	8	HOSE CLAMP 12-20/9	.1
36	Z002110-0	1	ELECTR.CONTROL SYSTEM IFG 24V	.1
38	Z002111-0	1	ELECTR.CONTROL SYSTEM IFG 12V	.1
40	Z002112-0	1	KIT CONNECTING CABLE IFG	.1



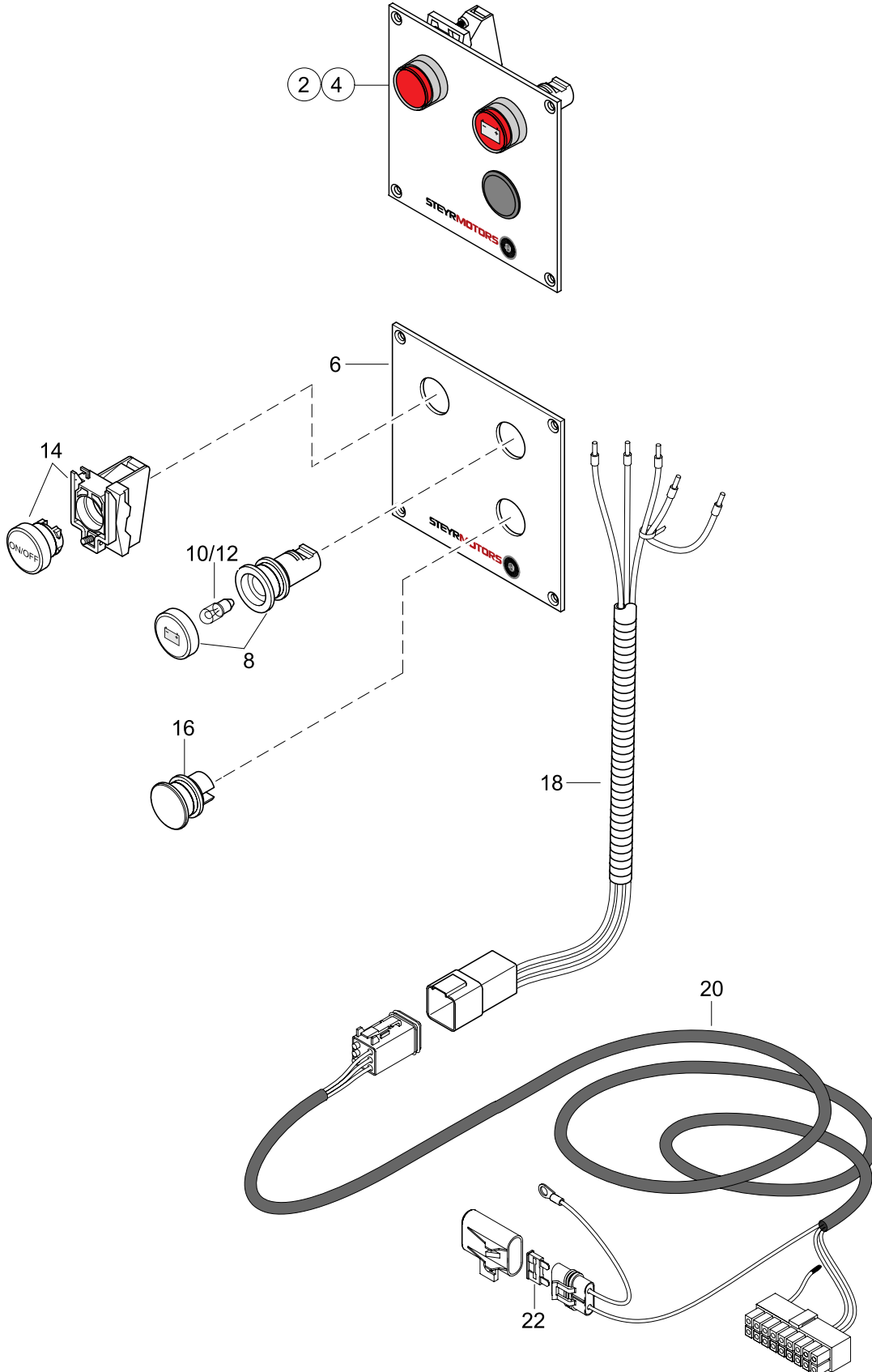


TA 4009

94 MARINE
TURBO DIESEL
+ SOLAS

PUSH BUTTON PANEL "IFG" TILL -->2010

40096184-0



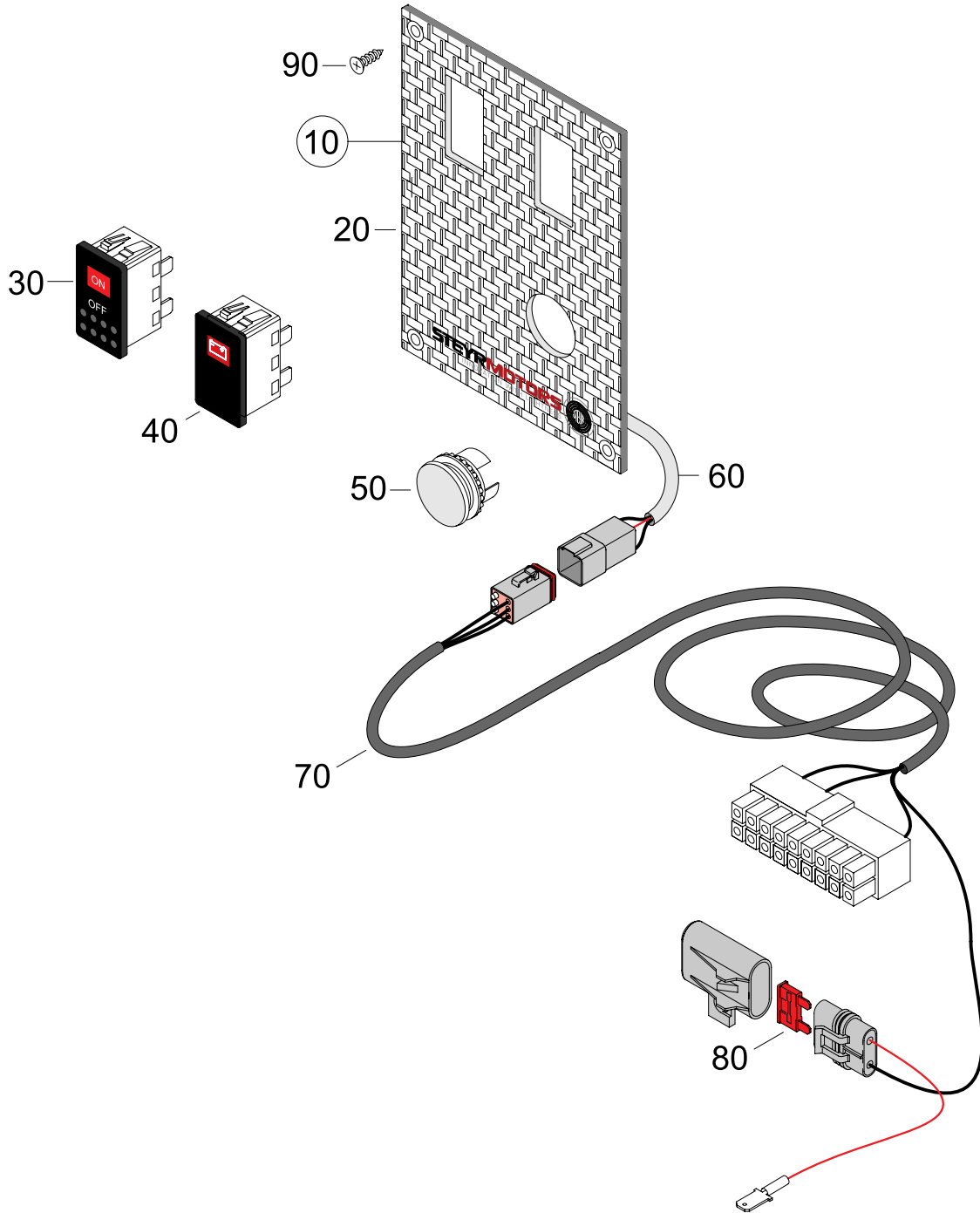


TA 4009

94 MARINE
TURBO DIESEL
+ SOLAS

PUSH BUTTON PANEL "IFG" FROM 2010-->

40096184-1



PUSH BUTTON PANEL "IFG" FROM 2010-->

94 MARINE
TURBO DIESEL
+ SOLAS

40096184-1

Pos.	Part.-No.	Qty	Designation	Step
10	2179968-0	1	PUSH BUTTON PANEL IFG (LED)	.1
20	2180092-0	1	INSTRUMENT PANEL IFG	.2
30	Z002199-0	1	IGNITION SWITCH	.2
40	Z002197-0	1	WARNING LIGHT, BATTERY CHARGE	.2
50	2179320-0	1	BLIND PLUG	.2
60	2206298-0	1	WIRING HARNESS ASSY. IFG-PANEL	.2
70	2206299-0	1	CONNE. CABLE AY. 8m IFG-PANEL	.2
80	11345	1	BLADE FUSE 10A	.2
90	9000817-0	4	CR.REC.COUNT.SUNK HD.TPG.SCR. 3.5x16	.2



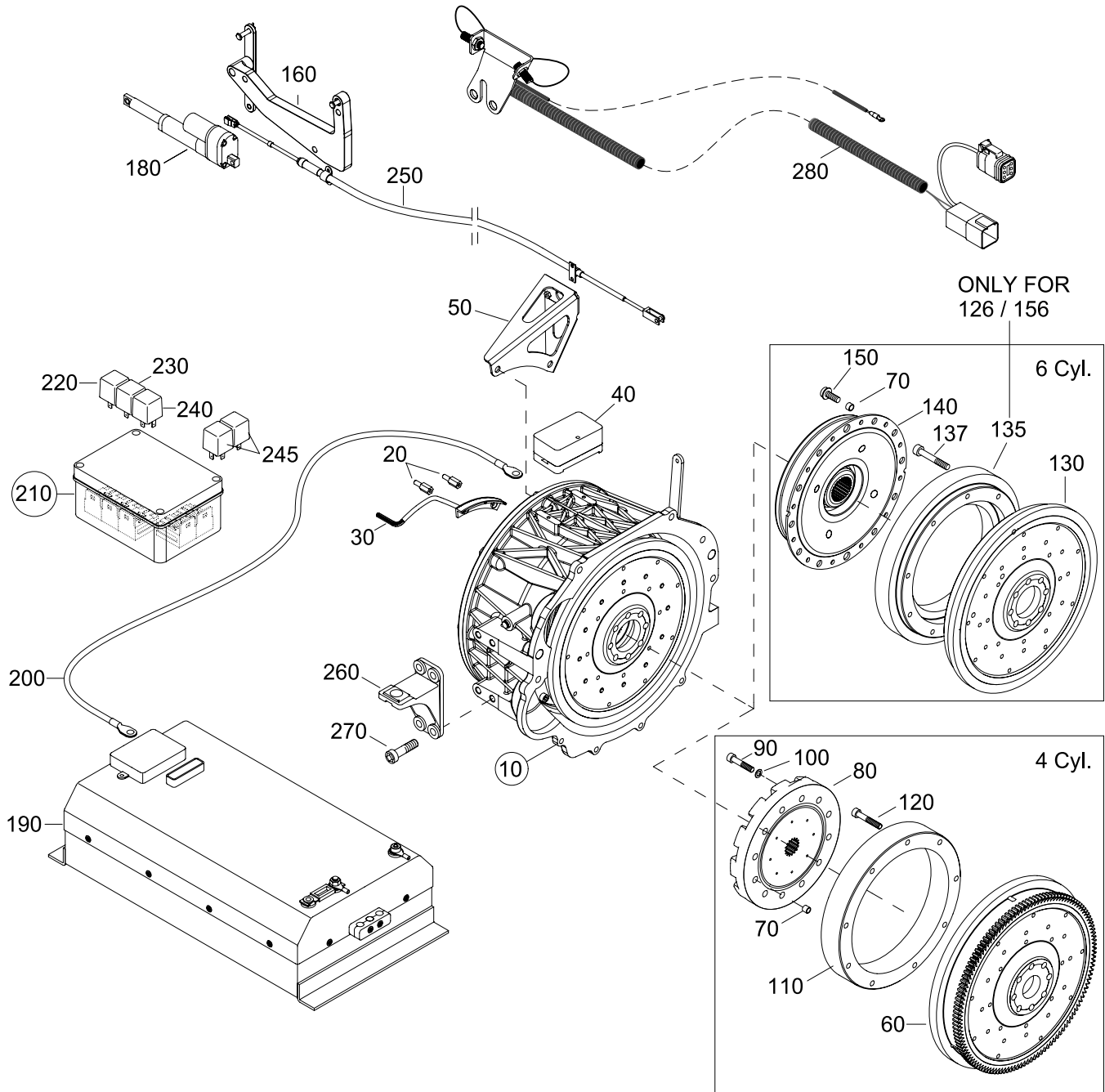


TA 4100

94 MARINE
TURBO DIESEL
+ SOLAS

HYBRID STAGE I

41006184-0



HYBRID STAGE I
94 MARINE
TURBO DIESEL
+ SOLAS

41006184-0

Pos.	Part.-No.	Qty	Designation	Step
10	Z002171-0	1	ELECTRIC MOTOR ASSY.	.1
20	2179623-1	2	DISTANCE BOLT	.2
30	Z002173-0	1	HALL SENSOR ASSY.	.2
40	2179758-0	1	CONNECTION PLATE	.2
50	2180122-0	1	GEAR SHIFT BRACKET	.2
60	2203870-0	1	FLYWHEEL ASSY. RW	.1
70	2203543-0	2	FITTING SLEEVE	.1
80	Z002106-0	1	S.P. COUPLER	.1
90	9000520-0	12	HEX.SOCK. SCR. ISO 4762-M8x50-10.9-DAC	.1
100	3930103-0	12	WASHER ISO 7089-8-A4-200HV	.1
110	2180415-0	1	FLYWHEEL MASS	.1
120	3862462-0	9	HEX.SCR.ISO 4762-M8x60-8.8-FLZNNC-720H-L	.1
130	2177734-N	1	FLYWHEEL ASSY. RW	.1
135	2180522-0	1	FLYWHEEL MASS	.1
137	3862452-0	9	HEX.SCR.ISO 4762-M8x50-8.8-FLZNNC-720H-L	.1
140	Z026060-0	1	S.P. COUPLER	.1
150	9000685-0	12	LOCKING SCREW-M8x16-10.9	.1
160	2179739-1	1	CONTROL BRACKET ASSY.	.1
180	Z002174-0	1	CONTROL MOTOR, CLUTCH	.1
190	Z002195-0	1	ELECTR.CONTROL SYSTEM	.1
200	Z021009-0	3	CONNECTING CABLE	.1
210	Z002175-0	1	RELAISBOX ASSY.	.1
220	2179961-0	1	PROGRAMMED RELAIS, A12	.2
230	2179960-0	1	PROGRAMMED RELAIS, A11	.2
240	2179959-0	1	PROGRAMMED RELAIS, A10	.2
245	9000183-0	2	RELAY 12V 40A	.2
250	Z002178-0	1	GEAR SHIFT CABLE ASSY.	.1
260	2178722-1	2	BRACKET FLYWHEEL HOUSING	.1
270	9000081-0	8	HEX.SCR.ISO4762-M12x35-8.8-FLZNNC-720H-L	.1
280	Z026154-0	1	POSITION SENSORS ASSY. (SPARE PART)	.1



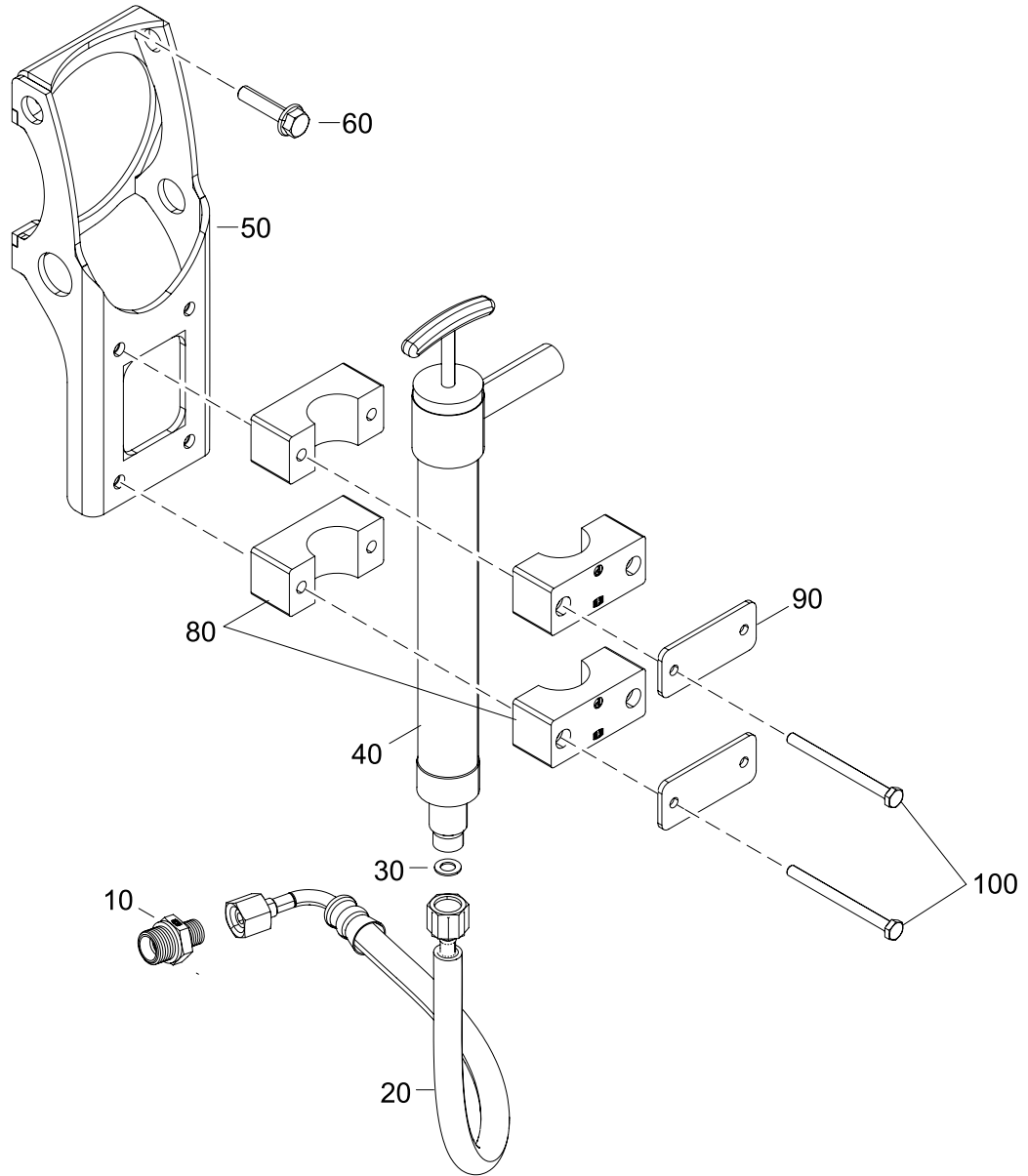


TA 5520

94 MARINE
TURBO DIESEL
+ SOLAS

OIL DRAIN PUMP

55204084-0



OIL DRAIN PUMP	94 MARINE <small>TURBO DIESEL</small> + SOLAS
-----------------------	---

55204084-0

Pos.	Part.-No.	Qty	Designation	Step
10	9000877-0	1	ADAPTER	.1
20	2180190-1	1	OIL HOSE ASSY.	.1
30	3098009-0	1	SEALING RING DIN 7603-A8x14-CU	.1
40	2180136-1	1	OIL DRAIN PUMP, HAND OPERATED	.1
50	2180163-1	1	BRACKET, MECH. OIL SUCTION PUMP	.1
60	9000278-0	3	BOLT EN1665-M8x35-8.8-FLZNNC-720H-L	.1
80	2180405-1	2	PIPE CLAMP	.1
90	2180439-0	2	COVER PLATE	.1
100	9000452-0	4	HEX.HD.BOLT ISO 4014-M6x75-A2-70	.1



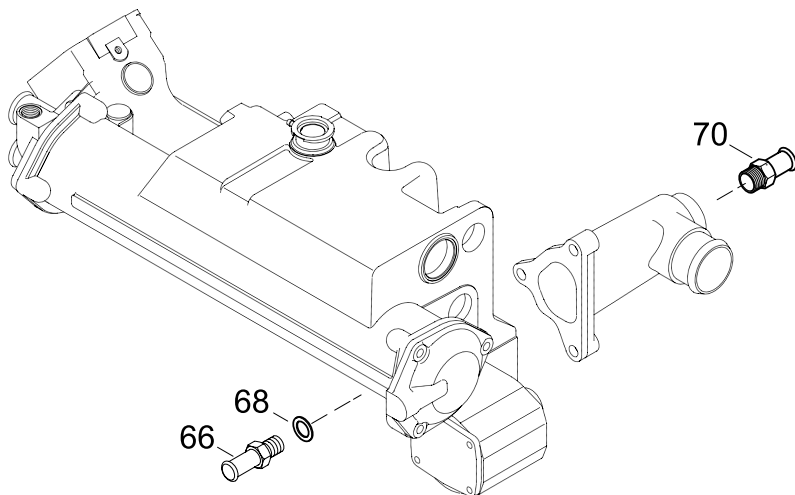
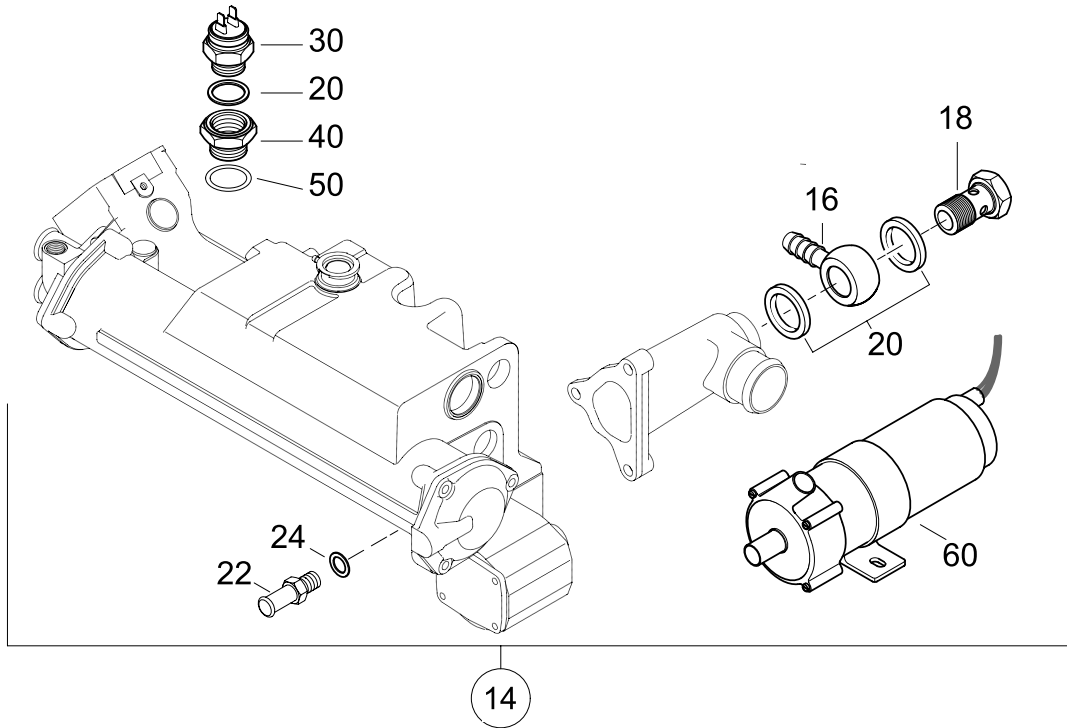


TA 6012

94 MARINE
TURBO DIESEL
+ SOLAS

HEATING UNIT, CIRCULATION PUMP (ACCESSORY)

60124084-0



HEATING UNIT, CIRCULATION PUMP (ACCESSORY)**94 MARINE**
TURBO DIESEL
+ SOLAS

60124084-0

Pos.	Part.-No.	Qty	Designation	Step
14	2178774-2	1	HOT WATER KIT W. PUMP (W/O COOLED TURBO) 48219001-->	.1
16	2178770-0	1	BANJO	.2
18	9000093-0	1	HO.SCR.M22x1,5-DIN7643-18-ZNNI8/CN/T2	.2
20	3098026-0	3	SEALING RING DIN 7603-A22x27-CU	.2
22	2178698-0	1	NIPPLE HEATER ON OILCOOLER	.2
24	3098013-0	1	SEALING RING DIN 7603-A12x18-CU	.2
30	2178771-0	1	THERMO SWITCH, HEATINGPUMP	.2
40	2180078-0	1	ADAPTER THERMO SWITCH	.2
50	2179242-0	1	O-RING 27x2,5	.2
60	2178772-0	1	CIRCULATION PUMP	.2
66	2178698-0	1	NIPPLE HEATER ON OILCOOLER	.1
68	3098013-0	1	SEALING RING DIN 7603-A12x18-CU	.1
70	2178607-1	1	HOSE CONNECTOR HEATER (TILL-->48218999)	.1





TA 9000

94 MARINE
TURBO DIESEL
+ SOLAS

GENERAL OPERATING MATERIAL

90006000-0

 10	 20	 30	 40
 50	 60	 70	 80
 90	 100	 110	 120
 130	 140	 150	 160
 170	 180	 190	



GENERAL OPERATING MATERIAL	94 MARINE <small>TURBO DIESEL</small> + SOLAS
-----------------------------------	---

90006000-0

Pos.	Part.-No.	Qty	Designation	Step
10	9000059-1	50ml	SCREWLOCK COMPOUND, MEDIUM 50ml	.1
20	9000017-1	50ml	SCREWLOCK COMPOUND, HIGHSTRENGT 50ml	.1
30	9000019-1	50ml	SEAT SEALING COMPOUND, HIGH TEMP. 50ml	.1
40	9000297-0	0,3l	SURFACE SEALING MED. STRENG FLEXIBLE	.1
50	700428	0,4l	ANTI-SEIZE (SPRAY 400ml)	.1
60	701630	0,4l	SILICONE SPRAY STALOC SQ450 (400ml)	.1
70	9000021-1	0,15l	AKTIVATOR (150ml SPRAY)	.1
80	9000510-0	0,3l	SURFACE SEALING COMPOUND, BLACK	.1
90	702280	0,5kg	LUBRICANT STALOC BLUE MOLY (500g)	.1
100	50466	1kg	HIGH PERFORMANCE GREASE PASTE	.1
110	Z010084-0	1kg	STEYR-MOTORS GREASE, HOT BEARINGS (1 KG)	.1
120	10107	1kg	GREASE	.1
130	Z012222-0	1kg	COPPER GREASE 1 KG CAN	.1
140	Z010226-0	0,4l	CORROSION PROTECTION SPRAY (400ml CAN.)	.1
150	702282	0,2kg	CERAMIC PASTE	.1
160	700429	0,4l	PROTECTION WAX (SPRAY 400ml)	.1
170	Z010207-0	0,1l	CONTACT GREASE (100ml TUBE)	.1
180	703074	0,1kg	SILICON GREASE (100g TUBE)	.1
190	705442	20g	INJECTOR GREASE (20g TUBE)	.1

