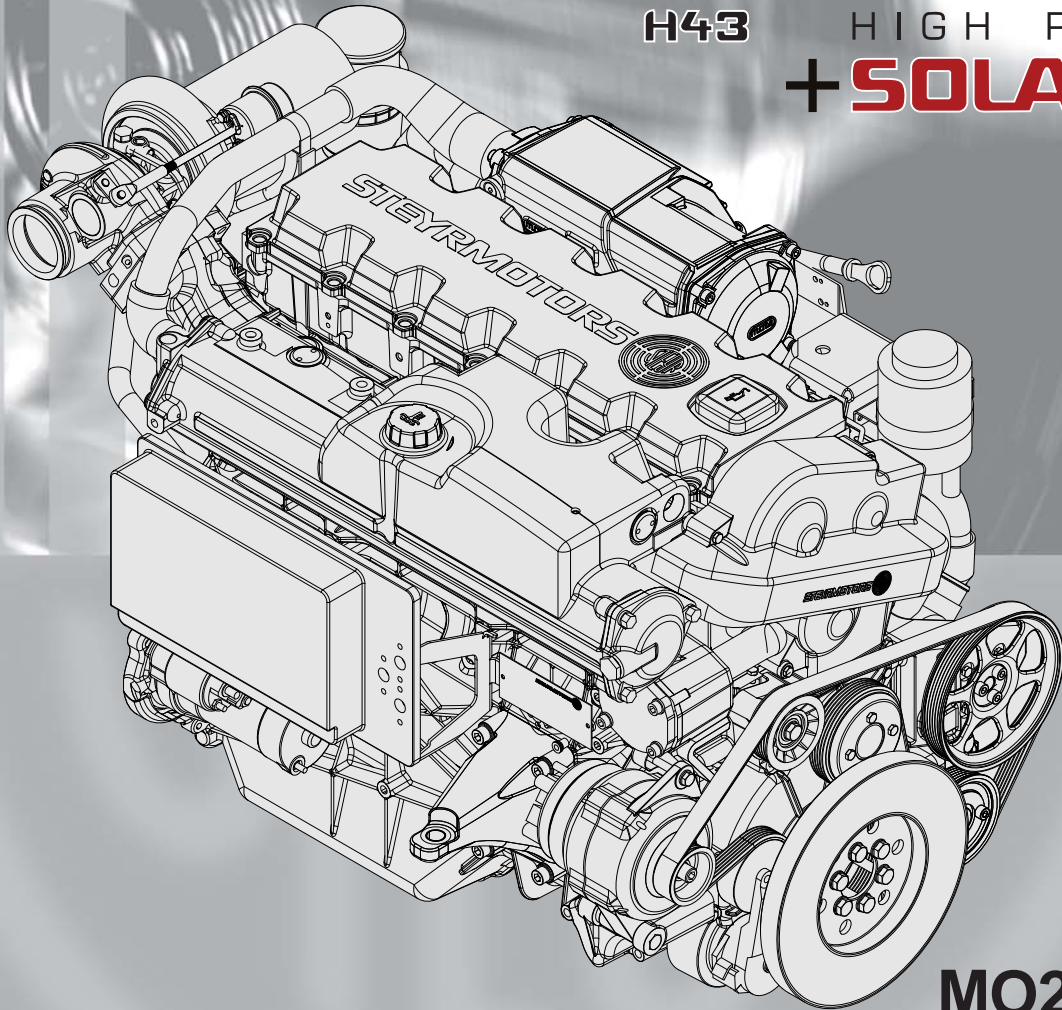




# STEYR MARINE ENGINES

**286 MARINE**  
**H43** HIGH POWER  
**+ SOLAS**



**MO286H43**

Engine no.: 682290001-->

# SPARE PARTS CATALOGUE

P/N Z011815-0 4<sup>th</sup> Edition, August 2012

**TEL** ++43 / 7252 / 222 / 20

**FAX** ++43 / 7252 / 222 / 29

**@** e.sales@steyr-motors.com



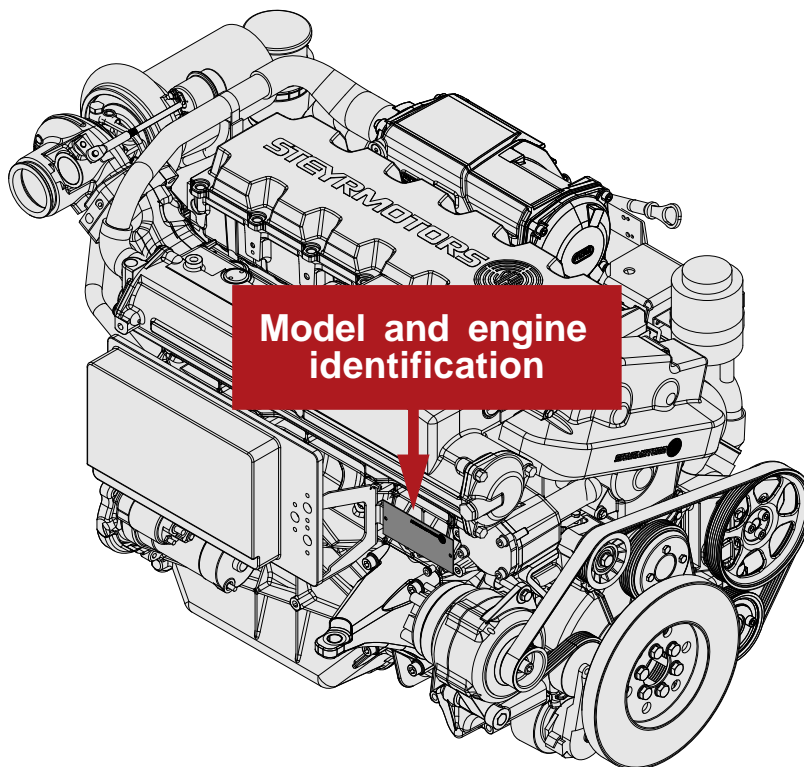
**STEYRMOTORS**  
INNOVATION WITH LIGHTNESS



**286 MARINE**  
H43 HIGH POWER  
+ **SOLAS**

When ordering spare parts are always indicate model and engine number.  
This will speed up delivery and help to avoid mistakes.

The primary model and engine number is located on the engine as illustrated. These numbers are required when requesting warranty and ordering parts.



**Substituting automotive or generally supplied parts and hardware will often result in less than desired performance. For this reason, you should insist on the known quality of genuine STEYR Marine matched replacement parts, and should never use parts of unknown quality.**

We reserve the right to make changes in design and execution which incorporate advances in technology!



# SIGNS AND SYMBOLS

1



TA 0101

CYLINDERBLOCK

**286 MARINE**  
H43 HIGH POWER  
+ SOLAS

2

01016084-0

3	4	5	6	8	9	7
Pos.	Part.-No.	Qty	Designation			Step
24	Z002676-0	1	SPARE PART COVER T-BELT →68226146			.2
26	2203711-1	1	COVER T-BELT, UPPER PART 68226147→			.2
28	9000538-0	3	HEX.FLANGE BOLT EN 1665-M6x50 A2-70			.2

- 1 Table number
- 2 Partlist number for whole table/  
functional groups
- 3 Positions number
- 4 Spare part number
- 5 Quantity for one engine respectively  
assembly group
- 6 Designation and description of spare part
- 7 Groupparts are marked with a circle around the  
position number. Parts in the list below these,  
which had an increased step number by one, will  
be included at delivery.
- 8 → 6..... Arrow before engine number:  
Spare part UNTIL and LOWER
- 9 6..... → Arrow past engine number:  
Spare part FROM and HIGHER

## ACROBAT

... back to "starting point"

... one page back

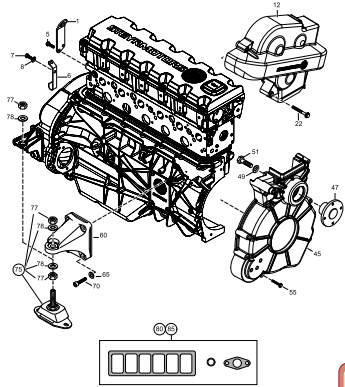

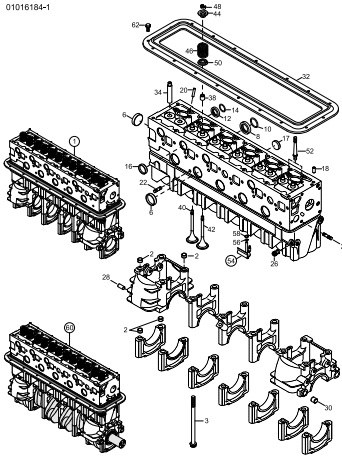

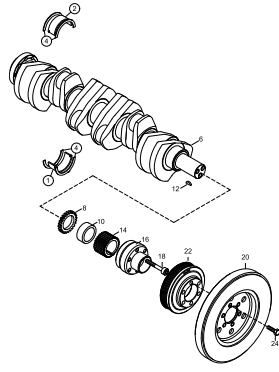

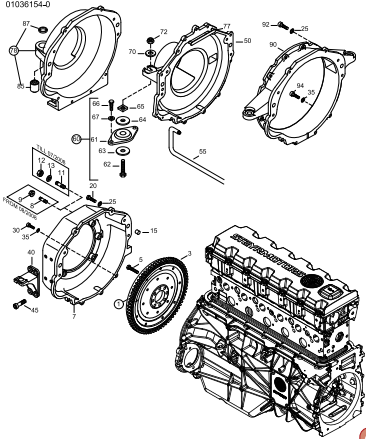

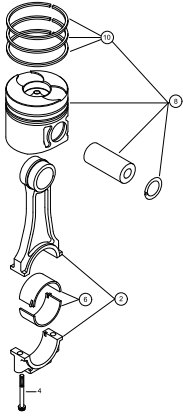

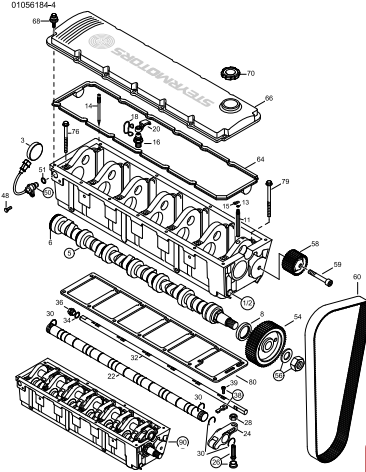

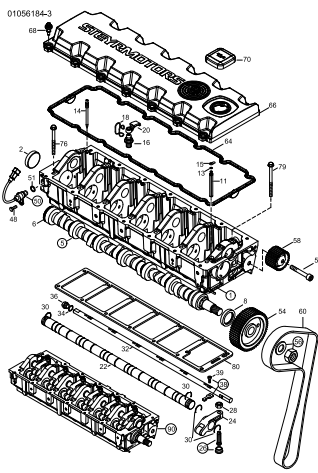

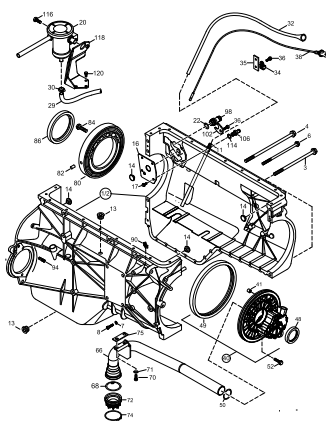

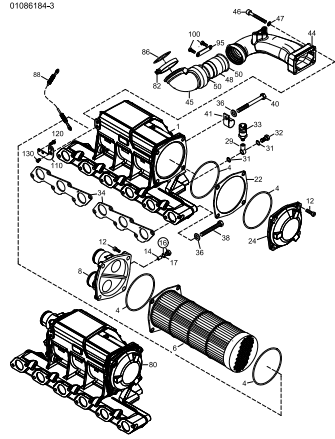

... one page forward





**286 MARINE**  
H43 HIGH POWER  
+ SOLAS

**TABLE OF CONTENTS - SPARE PARTS CATALOGUE**

<p><b>TA 0100 Page 12</b> MOUNT BRACKET, LIFTING EYE, GASKET SET</p> <p>01006184-3</p>  	<p><b>TA 0101 Page 14</b> CRANKCASE</p> <p>01016184-1</p>  	<p><b>TA 0102 Page 18</b> CRANKSHAFT, BEARING, DAMPER</p> <p>01026184-0</p>  
<p><b>TA 0103 Page 20</b> FLYWHEEL, FLYWHEELHOUSING</p> <p>01036154-0</p>  	<p><b>TA 0104 Page 24</b> PISTON, RINGS AND PIN, CONNECTION ROD</p> <p>01046014-0</p>  	<p><b>TA 0105 Page 26</b> CAMSHAFT HOUSING, TILL --&gt;682300699</p> <p>01056184-4</p>  
<p><b>TA 0105 Page 30</b> CAMSHAFT HOUSING, FROM 682300700--&gt;</p> <p>01056184-3</p>  	<p><b>TA 0106 Page 34</b> OILPUMP, OILPIPE, OILPAN, OIL DIPSTICK</p> <p>01066184-3</p>  	<p><b>TA 0108 Page 38</b> INTERCOOLER</p> <p>01086184-3</p>  





**TABLE OF CONTENTS - SPARE PARTS CATALOGUE**

**286 MARINE**  
H43 HIGH POWER  
**+ SOLAS**

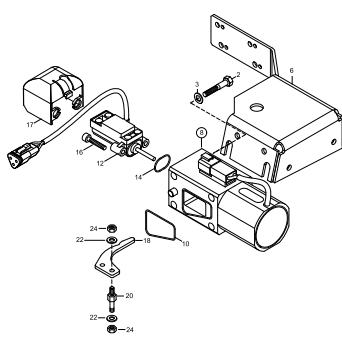

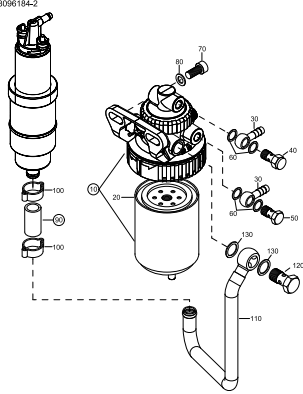

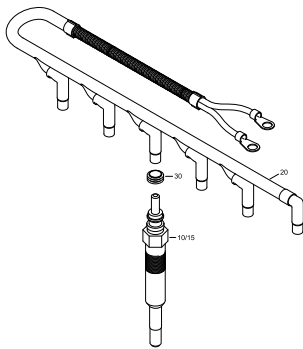

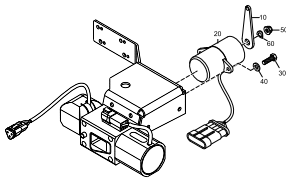

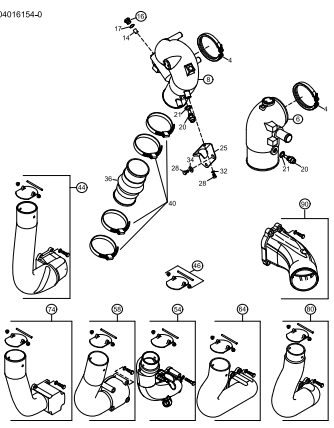

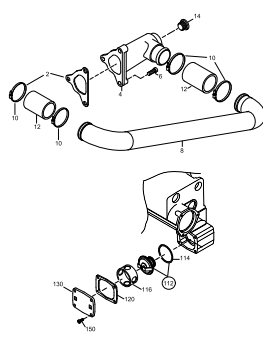

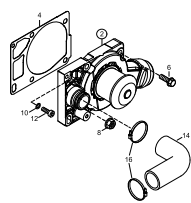

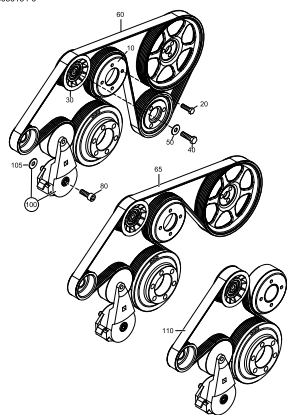

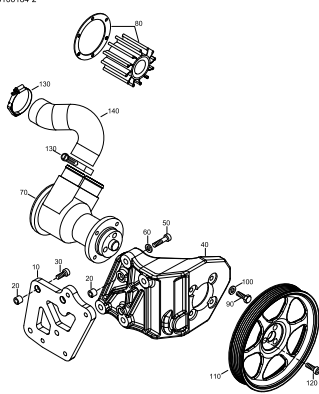

<p><b>TA 0109 Page 42</b> POWER TAKE OFF FRONT</p> <p>01096184-0</p>	<p><b>TA 0113 Page 44</b> COOLANT DISTRIBUTION PIPE, OILFILTER</p> <p>01136184-2</p>	<p><b>TA 0114 Page 46</b> EXHAUST, HEAT EXCHANGER, GASKETS</p> <p>01146184-2</p>
<p><b>TA 0115 Page 48</b> OILCOOLER RAW WATER</p> <p>01156184-0</p>	<p><b>TA 0200 Page 50</b> TORSIONAL COUPLING</p> <p>02006184-2</p>	<p><b>TA 0210 Page 52</b> COUPLER</p> <p>02106184-0</p>
<p><b>TA 0302 Page 54</b> FUEL PUMP, UNIT INJECTOR, PIPE</p> <p>03026184-3</p>	<p><b>TA 0304 Page 56</b> AIRFILTER, INVERSIONVALVE SOLAS</p> <p>03046184-4</p>	<p><b>TA 0305 Page 58</b> TURBOCHARGER</p> <p>03056184-3</p>





**286 MARINE**  
H43 HIGH POWER  
+ SOLAS

**TABLE OF CONTENTS - SPARE PARTS CATALOGUE**

<p><b>TA 0308 Page 60</b> CONTR. SOLENOID, SENSOR CONTR. RACK POS</p>	<p><b>TA 0309 Page 62</b> FUEL FILTER</p>	<p><b>TA 0311 Page 64</b> GLOW PIN</p>
<p>03086184-2</p>  	<p>03096184-2</p>  	<p>03116084-0</p>  
<p><b>TA 0312 Page 66</b> POTENTIOMETER ACCELERATOR</p>	<p><b>TA 0401 Page 68</b> HIGH RISER, EXHAUSTPIPE</p>	<p><b>TA 0503 Page 70</b> WATERPIPE, THERMOSTAT</p>
<p>03126184-2</p>  	<p>04016154-0</p>  	<p>05036184-2</p>  
<p><b>TA 0504 Page 72</b> WATERPUMP</p>	<p><b>TA 0505 Page 74</b> DRIVE BELTS, PULLEYS, TENSIONER</p>	<p><b>TA 0510 Page 76</b> RAW WATER PUMP</p>
<p>05046184-1</p>  	<p>05056184-0</p>  	<p>05106184-2</p>  





**TABLE OF CONTENTS - SPARE PARTS CATALOGUE**

**286 MARINE**  
H43 HIGH POWER  
**+ SOLAS**

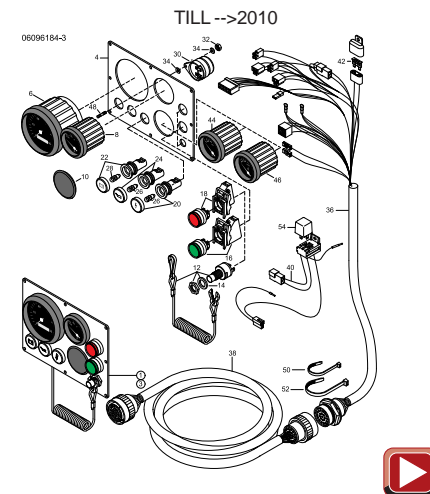

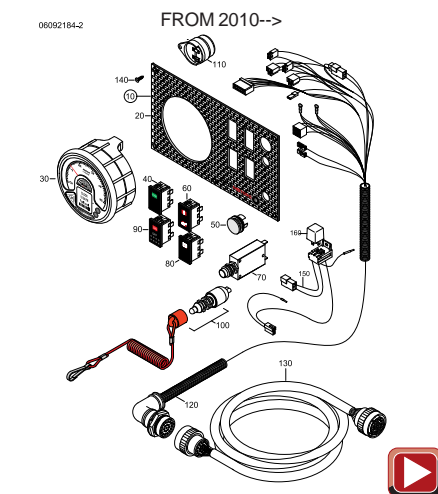

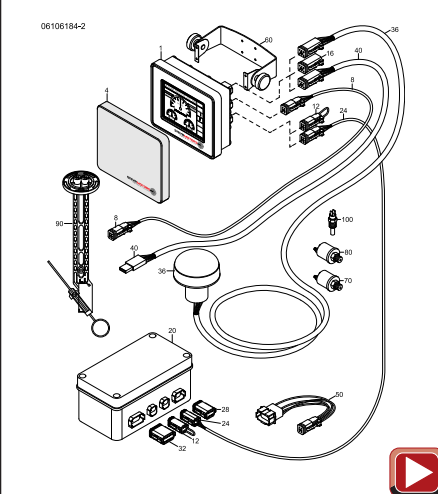

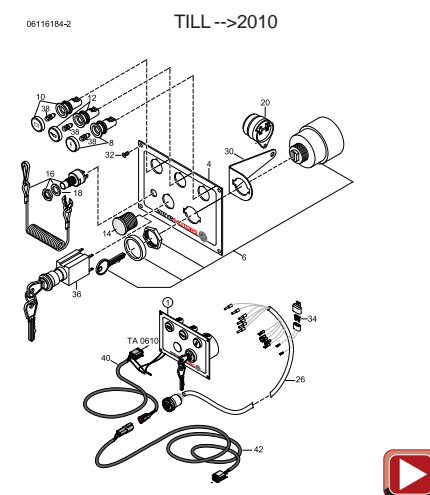

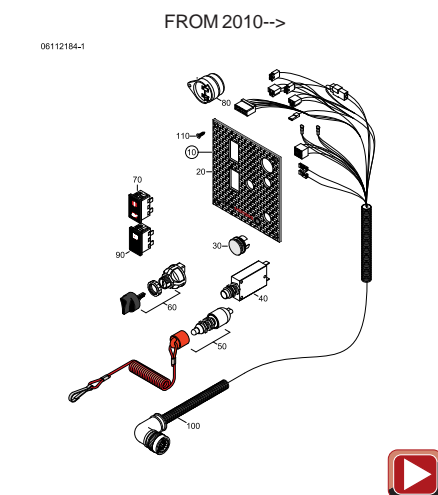

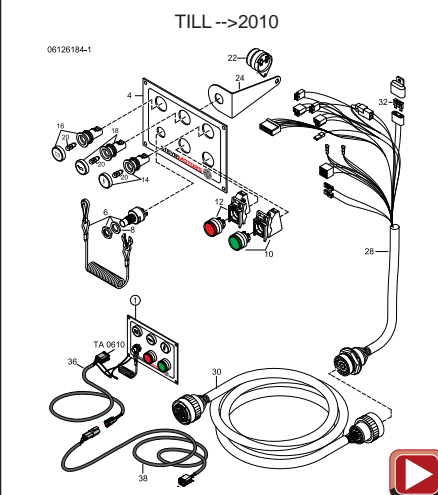

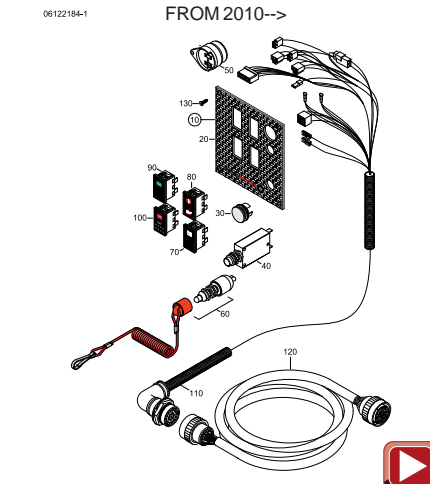

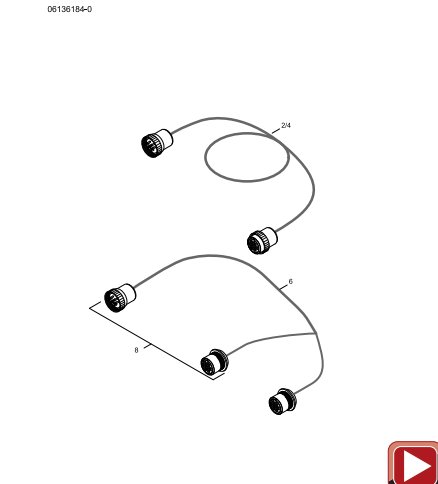

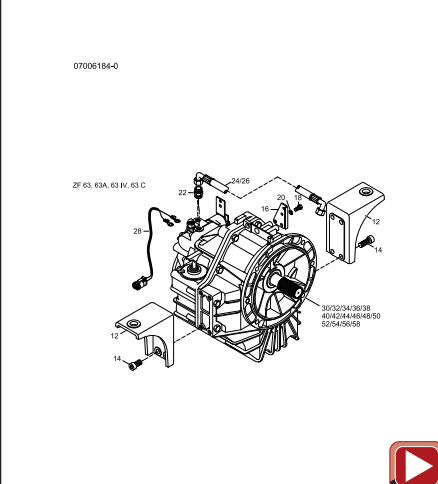

<p><b>TA 0512 Page 78</b> RAW WATER PIPES</p>	<p><b>TA 0601 Page 80</b> ALTERNATOR 14V / 90A</p>	<p><b>TA 0603 Page 82</b> STARTING MOTOR</p>
<p><b>TA 0605 Page 84</b> ENGINE HARNESS</p>	<p><b>TA 0606 Page 86</b> SECURETSYSTEM, FUSES, ECU, E-BOX</p>	<p><b>TA 0607 Page 88</b> INSTRUMENTPANEL (STANDARD)</p>
<p><b>TA 0607 Page 90</b> INSTRUMENTPANEL (STANDARD)</p>	<p><b>TA 0609 Page 92</b> INSTRUMENTPANEL SOLAS (STANDARD)</p>	<p><b>TA 0609 Page 94</b> INSTRUMENTPANEL SOLAS (STANDARD)</p>





**286 MARINE**  
H43 HIGH POWER  
+ SOLAS

**TABLE OF CONTENTS - SPARE PARTS CATALOGUE**

<p><b>TA 0609 Page 96</b> INSTRUMENTPANEL SOLAS 24V</p>	<p><b>TA 0609 Page 98</b> INSTRUMENTPANEL SOLAS 24V</p>	<p><b>TA 0610 Page 100</b> SCC-DISPLAY</p>
<p>TILL --&gt;2010</p>  <p>06096184-3</p> 	<p>FROM 2010--&gt;</p>  <p>06092184-2</p> 	 <p>06106184-2</p> 
<p><b>TA 0611 Page 102</b> SWITCH PANEL FOR DISPLAY</p>	<p><b>TA 0611 Page 104</b> SWITCH PANEL FOR DISPLAY</p>	<p><b>TA 0612 Page 106</b> PUSH BUTTON PANEL SOLAS FOR DISPLAY</p>
<p>TILL --&gt;2010</p>  <p>06116184-2</p> 	<p>FROM 2010--&gt;</p>  <p>06112184-1</p> 	<p>TILL --&gt;2010</p>  <p>06126184-1</p> 
<p><b>TA 0612 Page 108</b> PUSH BUTTON PANEL FOR SOLAS DISPLAY</p>	<p><b>TA 0613 Page 110</b> EXTENSION CABLE INSTRUMENTS</p>	<p><b>TA 0700 Page 112</b> TRANSMISS., MOUNTING BRACKETS, PIPES</p>
<p>FROM 2010--&gt;</p>  <p>06122184-1</p> 	 <p>06136184-0</p> 	 <p>07006184-0</p> <p>ZF 63, 63A, 63 IV, 63 C</p> <p>3032/34/36/38 40/32/34/36/38/50 52/54/56/58</p> 





**TABLE OF CONTENTS - SPARE PARTS CATALOGUE**

**286 MARINE**  
H43 HIGH POWER  
**+ SOLAS**

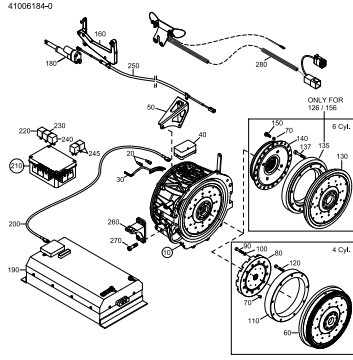

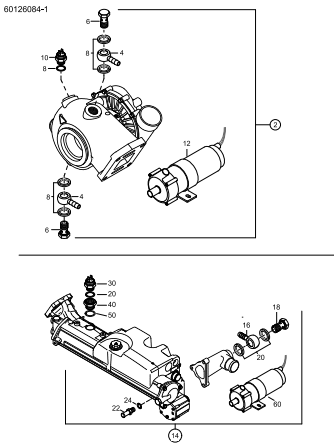

<p><b>TA 0701 Page 114</b> TRANSMISSION-SHAFT, PTO-SHAFT</p> <p>07016184-0</p>	<p><b>TA 0720 Page 116</b> DRIVE ADAPTOR VOLVO STERNDRIVE</p> <p>07206084-0</p>	<p><b>TA 0730 Page 118</b> DRIVE SHAFT EXT. MERCURY STERNDRIVE</p> <p>07306184-0</p>
<p><b>TA 1408 Page 120</b> HYDRAULIC PUMP</p> <p>14086184-2</p>	<p><b>TA 1409 Page 122</b> HYDRAULIC PIPES</p> <p>14096184-1</p>	<p><b>TA 2207 Page 124</b> ENGINE PREHEATING</p> <p>22076184-0</p>
<p><b>TA 4000 Page 126</b> INTEGR. FLYWHEELGENERATOR (IFG)</p> <p>40006184-0</p>	<p><b>TA 4009 Page 128</b> PUSH BUTTON PANEL "IFG"</p> <p>TILL --&gt;2010</p> <p>40096184-0</p>	<p><b>TA 4009 Page 130</b> PUSH BUTTON PANEL "IFG"</p> <p>FROM 2010--&gt;</p> <p>40096184-1</p>





**286 MARINE**  
H43 HIGH POWER  
+ SOLAS

**TABLE OF CONTENTS - SPARE PARTS CATALOGUE**

TA 4100 Page 132 HYBRID	TA 6012 Page 134 HEATING UNIT, CIRCULATION PUMP	
 	 	







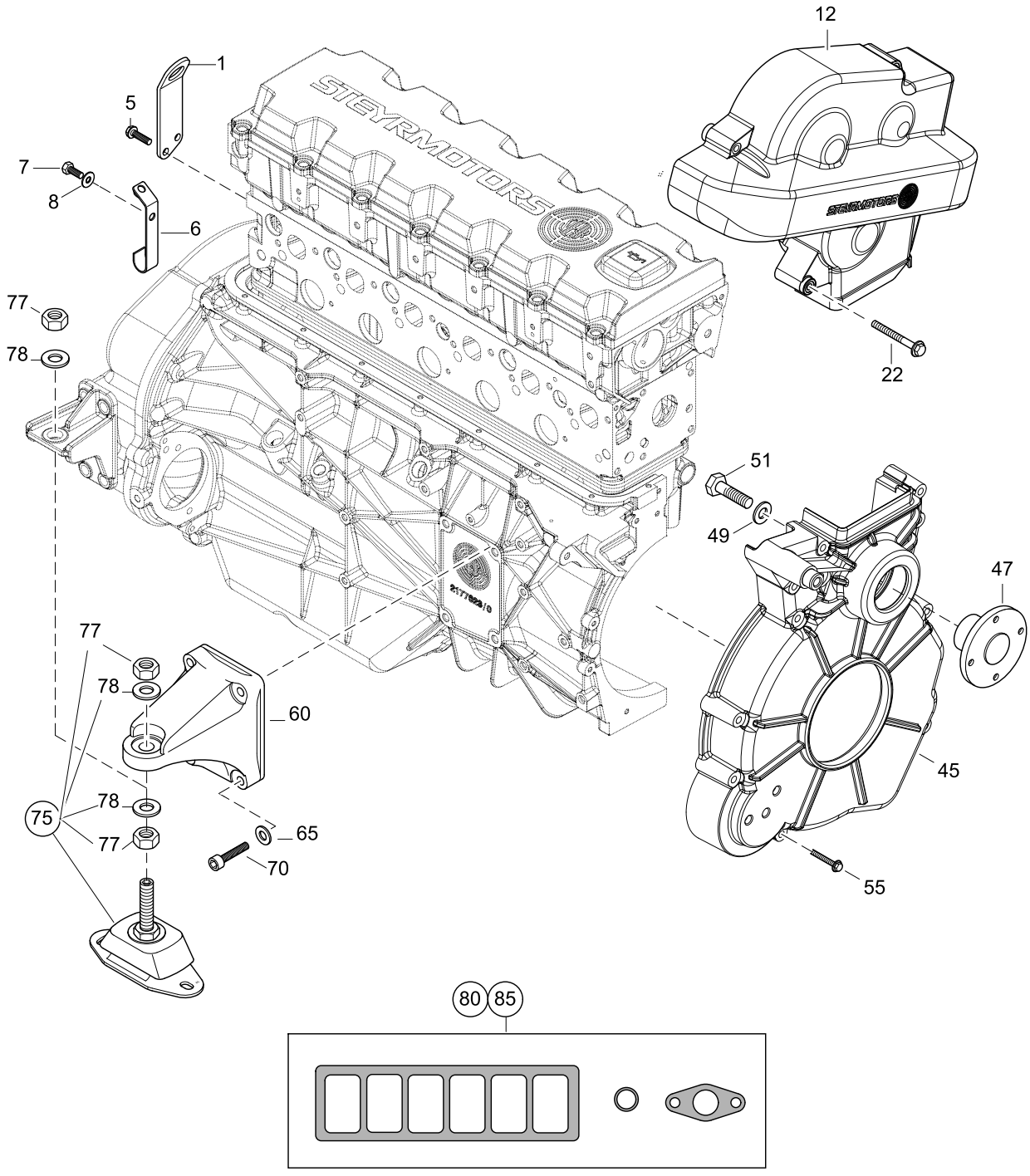
TA 0100



**286 MARINE**  
H43 HIGH POWER  
+ **SOLAS**

**MOUNT BRACKET, LIFTING EYE, GASKET SET**

01006184-3



**MOUNT BRACKET, LIFTING EYE, GASKET SET**

**286 MARINE**  
H43 HIGH POWER  
+ SOLAS

01006184-3

Pos.	Part.-No.	Qty	Designation	Step
1	2178082-1	1	ENGINE SHACKLE	.2
5	9000305-0	2	HEX.FLANGE BOLT EN 1665-M8x20-10.9-DAC	.2
6	2179235-0	1	SHACKLE	.2
7	3800233-0	1	HEX.HD.SCR. ISO 4017-M6x16-A2-70	.2
8	9000012-0	1	WASHER LARGE SERIES DIN 9021-6.4-140HV-A2	.2
12	2203711-1	1	COVER T-BELT, UPPER PART	.2
22	9000538-0	3	HEX.FLANGE BOLT EN 1665-M6x50 A2-70	.2
45	Z002687-0	1	COVER T-BELT ASSY, LOWER WITH BEARING (PAINTED)	.2
47	2203516-2	1	BEARING SHAFT	..3
49	2203563-0	1	SUPPORT WASHER, BEARING SHAFT	..3
51	3802515-0	1	HEX.HD.SCR. ISO 4017-M10x20-8.8-A3C	..3
55	9000621-0	11	HEX.FLANGE BOLT EN 1665-M6x55-A2C	.2
60	2177598-9	2	MOUNT BRACKET, FRONT, PAINTED	.2
65	3930075-0	8	WASHER DIN 125 A10.5-140HV-A2	.2
70	9000014-1	8	HEX.SOCK. HD.CAP SCR. DIN 912-M10x50-10.9-A3C	.2
75	2203804-5	4	ENGINE MOUNT ASSY 55SH	.2
77	9000442-0	2	HEX.NUT ISO 8673-M18x1,5-8-A-DAC	..3
78	9000441-0	2	LOCKWASHER 19,5x34,5	..3
80	Z026022-0	1	SEAL KIT	.2
85	Z026022-2	1	SEAL KIT, W/O FRAME SEAL	.2





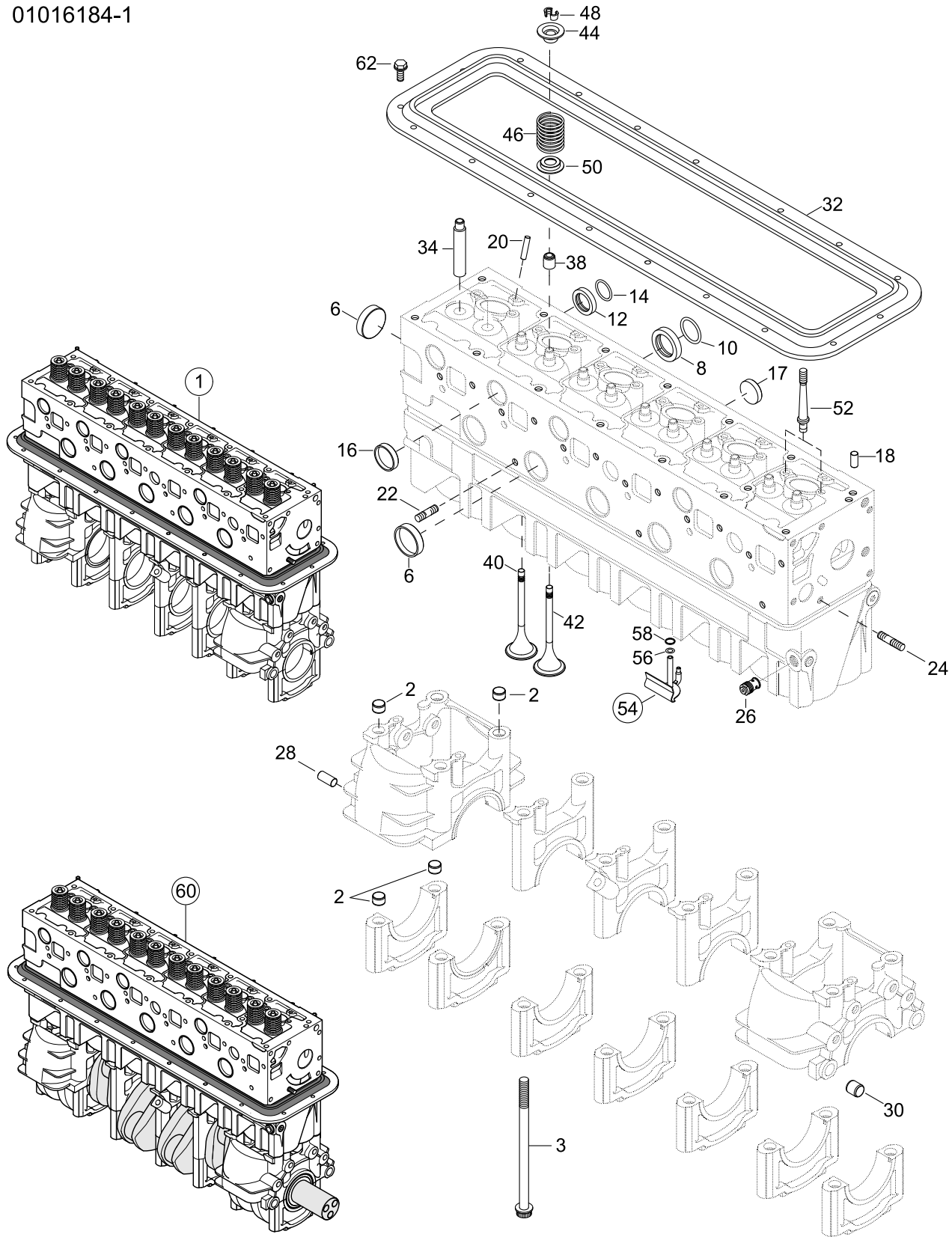
TA 0101



**286 MARINE**  
H43 HIGH POWER  
+ **SOLAS**

**CRANKCASE**

01016184-1





<b>CRANKCASE</b>	<b>286 MARINE</b> H43 HIGH POWER <b>+ SOLAS</b>
------------------	---

01016184-1

Pos.	Part.-No.	Qty	Designation	Step
1	MZ60184-1	1	CYL. BLOCK ASSY. MARINE (INCL. VALVES)	.2
2	2172799-0	24	FITTING SLEEVE DM14.5	..3
3	2174329-0	14	BOLT, MAIN BEARING	..3
6	2170309-0	6	CORE HOLE PLUG 40/8	..3
8	2179011-0	3	SLEEVE WATER INLET	..3
10	2173705-1	3	O-RING 21,82x3,53	..3
12	2179011-1	2	SLEEVE WATER INLET	..3
14	2179522-0	2	O-RING 19.2x3	..3
16	2172170-0	3	CORE HOLE PLUG 28/7	..3
17	2173768-0	4	CORE HOLE PLUG 22/8	..3
18	3901416-0	2	PARALLEL PIN ISO 2338-8m6x16-ST	..3
20	3901328-0	6	PARALLEL PIN ISO 2338-6m6x30-ST	..3
22	9000327-0	3	STUD DIN 939-M6x20-8.8-A2C	..3
24	3812435-0	1	STUD DIN 938-M8x35-8.8-A3C	..3
26	2178525-3	1	COOLING OIL VALVE ASSY.	..3
28	3901509-0	2	PARALLEL PIN ISO 2338-10m6x20-ST	..3
30	2170298-0	2	FITTING SLEEVE DM12.5	..3
32	2205379-0	1	FRAME SEAL	..3
34	2172133-N	12	VALVE GUIDE	..3
38	2172096-1	12	VALVE STEM SEAL	..3
40	2177577-1	6	EXHAUST VALVE	..3
42	2177576-6	6	INTAKE VALVE	..3
44	2177349-0	12	VALVE-SPRING RETAINER	..3
46	2172362-0	12	VALVE SPRING	..3
48	2170171-0	24	VALVE COLLET	..3
50	2177415-0	12	VALVE SPRING WASHER	..3
52	2174321-1	12	STUD UNIT INJECTOR	.2
54	2178478-3	6	SPRAYING NOZZLE ASSY.	.2
56	2179896-0	6	O-RING 5,23 x 2,62 (GREEN)	..3
58	2179658-0	6	BACK-UP RING	.2





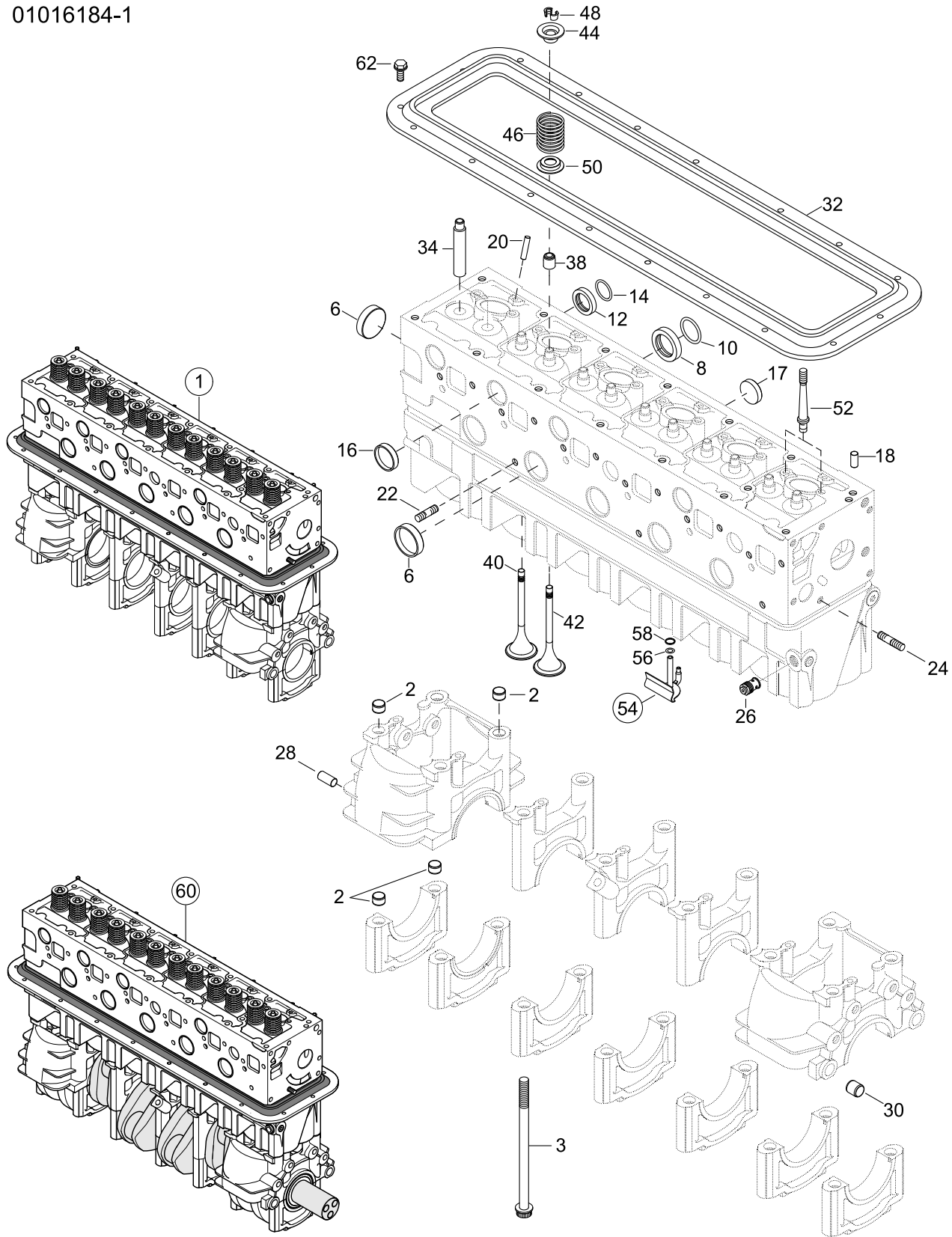
TA 0101



**286 MARINE**  
H43 HIGH POWER  
+ **SOLAS**

**CRANKCASE**

01016184-1





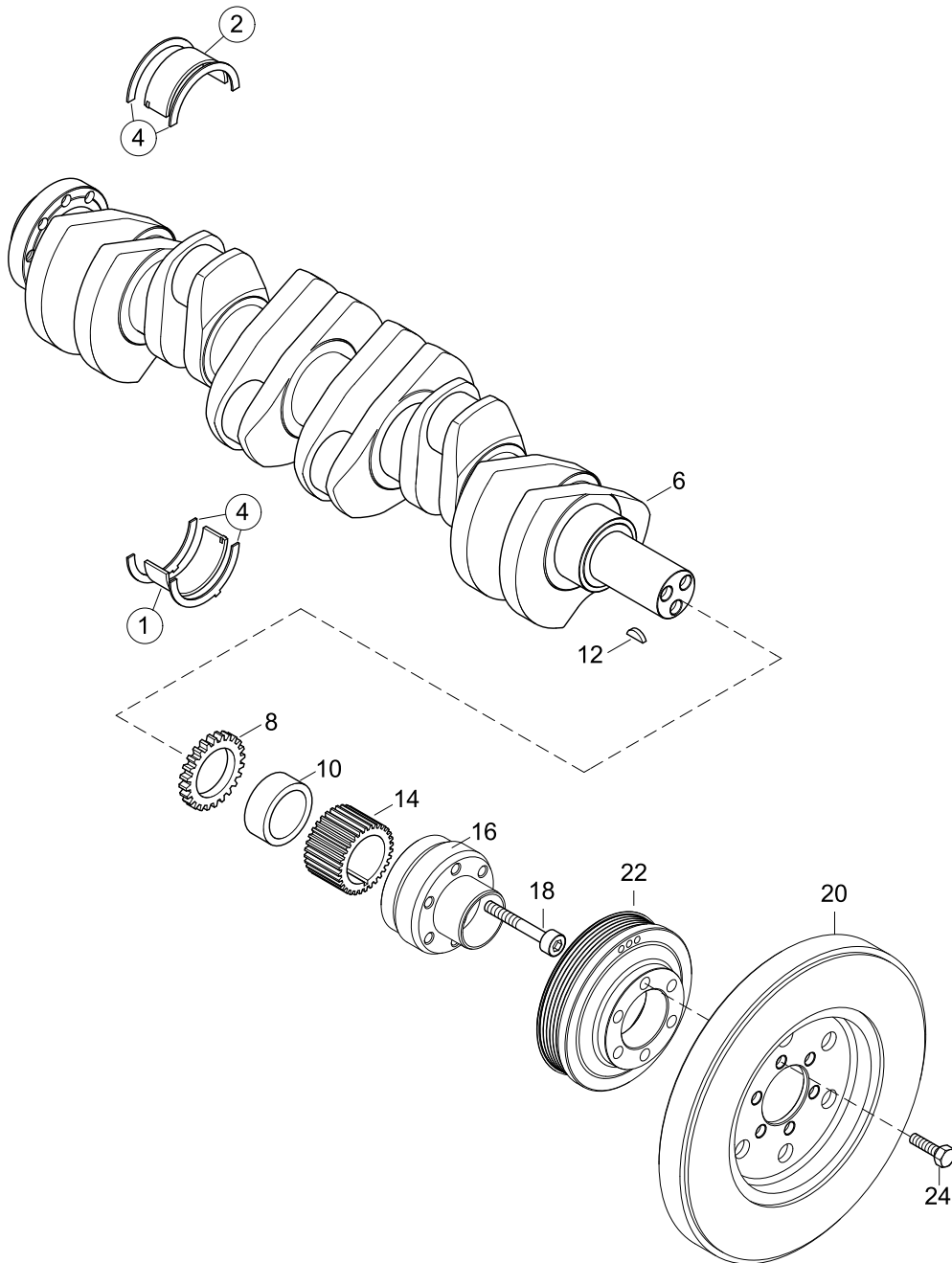


TA 0102

**286 MARINE**  
H43 HIGH POWER  
+ **SOLAS**

**CRANKSHAFT, BEARING, DAMPER**

01026184-0





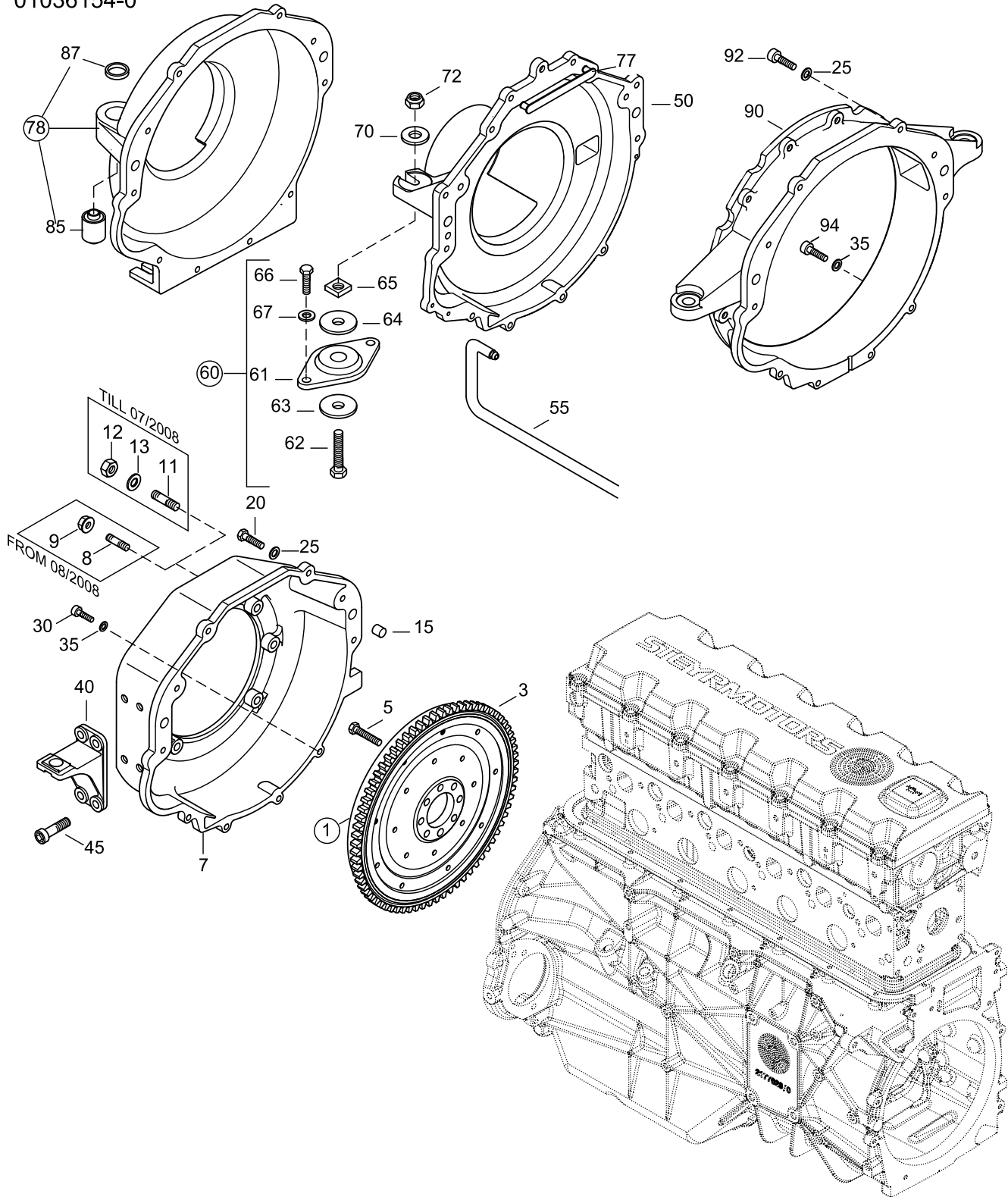


TA 0103

**286 MARINE**  
H43 HIGH POWER  
+ **SOLAS**

**FLYWHEEL, FLYWHEELHOUSING**

01036154-0





**FLYWHEEL, FLYWHEELHOUSING**

**286 MARINE**  
H43 HIGH POWER  
**+ SOLAS**

01036154-0

Pos.	Part.-No.	Qty	Designation	Step
1	2177734-1	1	FLYWHEEL ASSY.	.2
3	2177625-0	1	GEAR RIM	..3
5	2174592-0	8	HEX. HEAD SCREW M10x30-12.9	.2
7	Z002165-0	1	SPARE FLYWHEEL HOUSING B/W FLANGE PAINTED	.2
8	9000371-0	6	STUDDIN 835-M10x25-8.8-A3C	.2
9	9000042-1	6	HEX.FLANGE NUT DIN 6923-M10-8-A3C	.2
11	9000082-0	6	STUD DIN 835-M12x25-8.8-A3C	.2
12	3871319-0	6	HEX.NUT ISO 4032-M12-8-A3C	.2
13	3930282-0	6	WASHER DIN 125-A13-140HV-A3C	.2
15	3900184-0	2	SPRING PIN, SLIGHT TYPE DIN 7346-16x22	.2
20	3862545-0	5	HEX.SOCK. HD.CAP SCR. DIN 912-M10x35-A2-70	.2
25	3930075-0	5	WASHER DIN 125 A10.5-140HV-A2	.2
30	3862433-0	4	HEX.SOCK. HD.CAP SCR. DIN 912-M8x30-A2-70	.2
35	3930103-0	4	WASHER DIN 125-8.4-140HV-A2	.2
40	2178722-1	2	BRACKET FLYWHEEL HOUSING	.2
45	9000081-0	8	HEX.SOCK.HD.CAP SCR. DIN 912-M12x35-8.8-A3C	.2
50	O915157-9	1	HOUSING-FLYWHEEL OMC / VOLVO SX - PAINTED	.2
55	O913787-0	1	HOSE-FLYWHEEL HOUSING	.2
60	O986712-0	1	SMALL PARTS REAR MOUNTS	.2
61	O983932-0	2	REAR MOUNT ASSY	..3
62	O318573-0	2	BOLT, REAR MOUNT	..3
63	O911780-0	2	WASHER-REAR MOUNT-LOWER	..3
64	O912889-0	2	WASHER REAR MOUNT	..3
65	O911776-0	2	SQUARE NUT-REAR MOUNT	..3
66	O309484-0	4	HEX. SCREW 3/8-16UNCx1-1/4"	..3
67	O319453-0	4	WASHER	..3
70	O911778-0	2	WASHER, REAR MOUNT	.2
72	O313623-0	2	LOCK NUT, REAR MOUNT	.2
77	2178504-0	1	COVER	.2





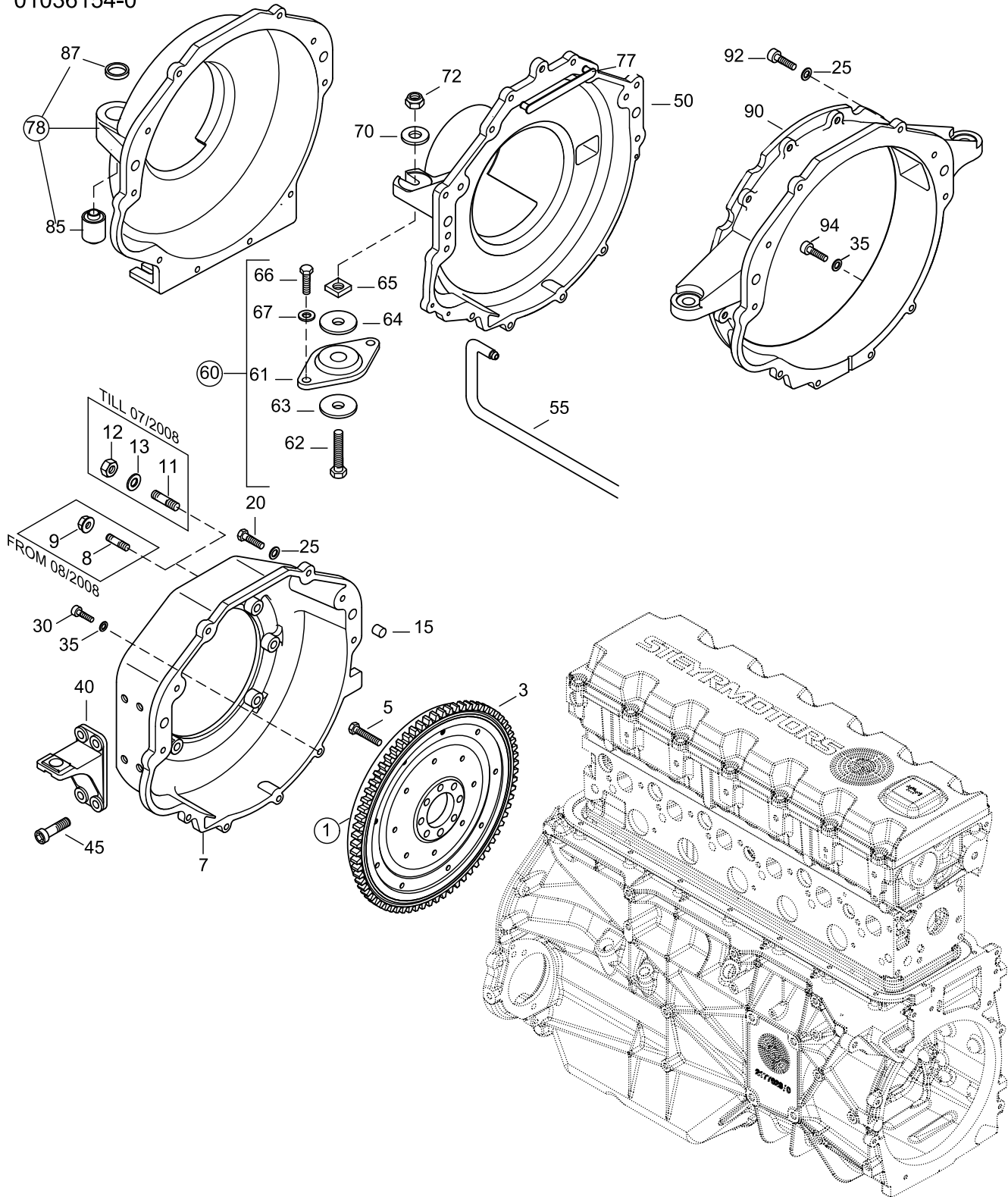
TA 0103



**286 MARINE**  
H43 HIGH POWER  
+ **SOLAS**

**FLYWHEEL, FLYWHEELHOUSING**

01036154-0







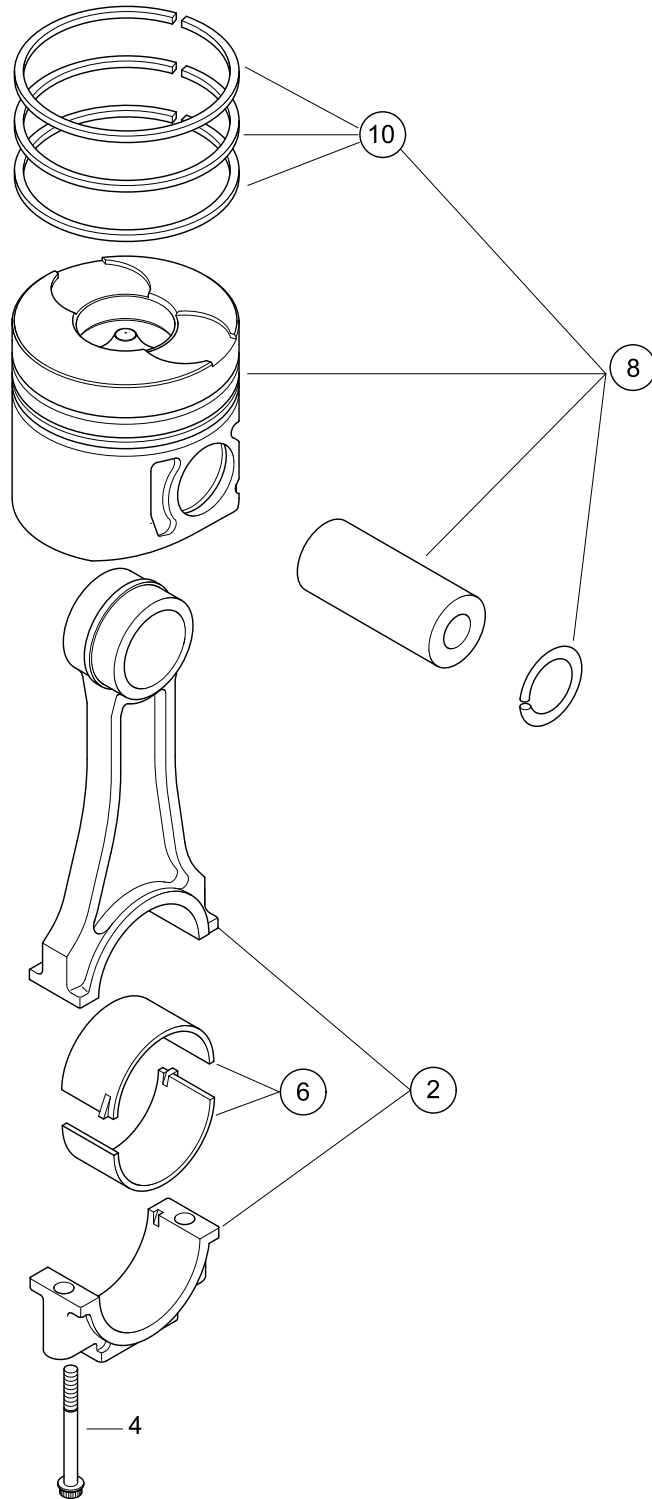
TA 0104



**286 MARINE**  
H43 HIGH POWER  
+ **SOLAS**

**PISTON, RINGS AND PIN, CONNECTION ROD**

01046014-0





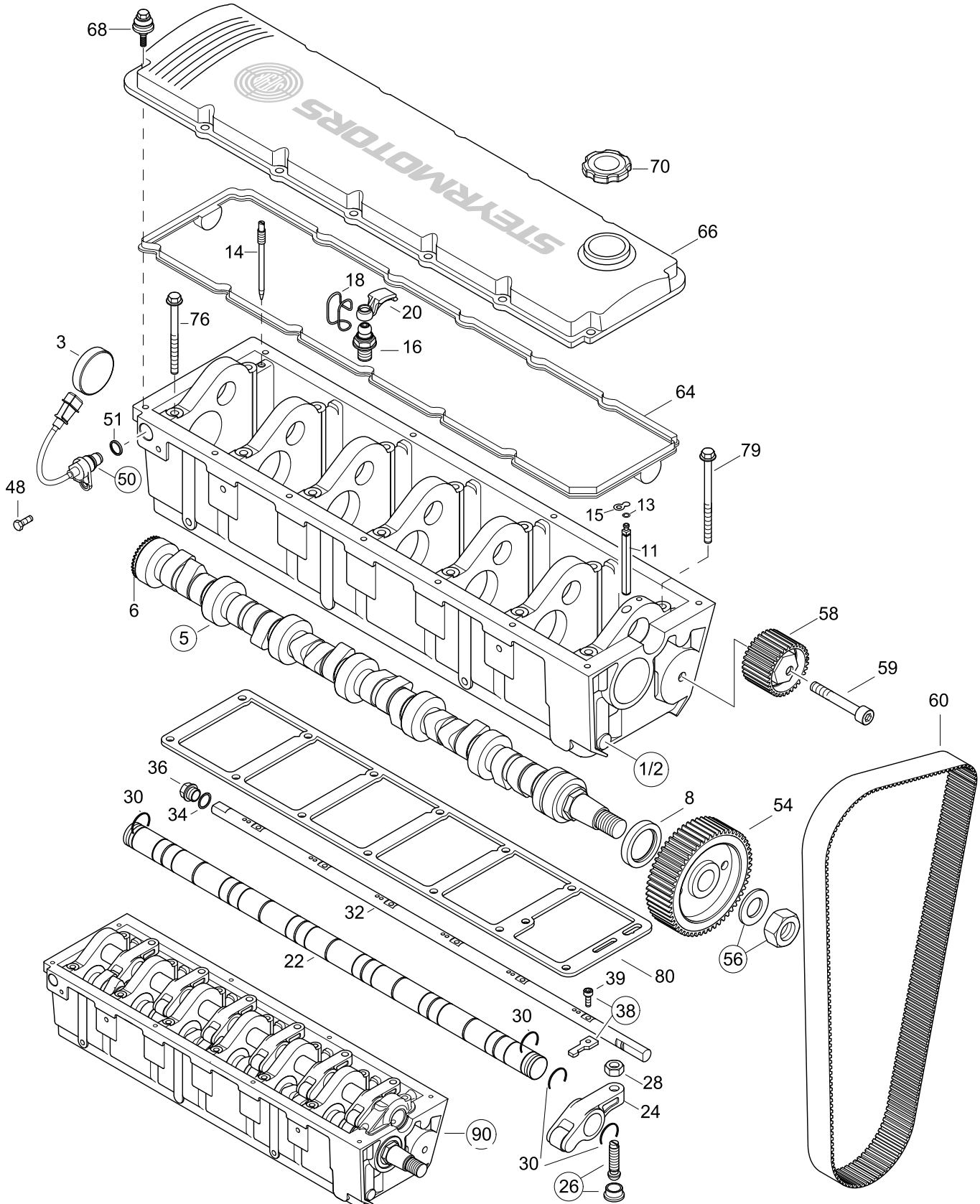


TA 0105

**286 MARINE**  
H43 HIGH POWER  
+ **SOLAS**

**CAMSHAFT HOUSING, TILL -->682300699**

01056184-4





**CAMSHAFT HOUSING, TILL -->682300699**



01056184-4

Pos.	Part.-No.	Qty	Designation	Step
1	Z002602-4	1	CAMSHAFT HOUSING ASSY. 6 CYL.	.2
2	2178083-0	1	CORE HOLE PLUG 50-7	..3
5	2178084-2	1	CAMSHAFT ASSY.	.2
6	2203280-1	1	SENSOR DISK	..3
8	2172086-1	1	ROTARY SHAFT SEAL	.2
10	2178486-1	1	AXLE SUPPORT	.2
11	2178486-2	1	AXLE SUPPORT	.2
13	2179278-0	1	O-RING 4,3x2,4	.2
14	2177513-2	1	GUIDE PIN CONTROL RACK	.2
15	2179251-0	1	LOCKING DEVICE, AXLE SUPPORT	.2
16	2174546-2	12	VALVE TAPPET ADJ. SCREW ASSY.	.2
18	2174552-0	12	RETAINING SPRING	.2
20	2177139-1	12	CAM FOLLOWER ASSY.	.2
22	2174434-1	1	ROCKER ARM SHAFT ASSY .	.2
24	Z002094-0	6	ROCKER ARM ASSY. (SPARE PART)	.2
26	Z002010-0	6	TAPPET ADJUSTER ASSY.	.2
28	3871310-0	6	HEX.NUT DIN 934-M10x1-8	.2
30	2174036-0	14	CRESCENT RING 28x1,5	.2
32	2205115-0	1	CONTROL RACK	.2
34	3098031-0	1	SEALING RING DIN 7603-A26x31-CU	.2
36	3962043-0	1	HEX.HD.SCR.PLUG DIN 7604-C-M26x1.5-ST-A3C	.2
38	Z002009-0	6	CONTROL LINK & BOLT	.2
39	3860140-0	1	HEX.SOCK. HD.CAP SCR. DIN 912-M5x20-LH-10.9	..3
48	3800238-0	1	HEX.HD.SCR. ISO 4017-M6x12-A2-70	.2
50	2176734-2	1	REVOLUTION SENSOR	.2
51	2176729-0	1	O-RING 17,17 x 1,78	..3
54	2177642-0	1	TIMING BELT PULLEY CAMSHAFT	.2
56	Z002011-0	1	NUT & WASHER, CAMSHAFT PULLEY	.2
58	2178548-5	1	IDLER PULLEY ASSY.	.2
59	3860155-0	1	HEX.SOCK. HD.CAP SCR. DIN 912-M10x70-10.9-DAC A500	.2
60	2179985-0	1	TIMING BELT	.2



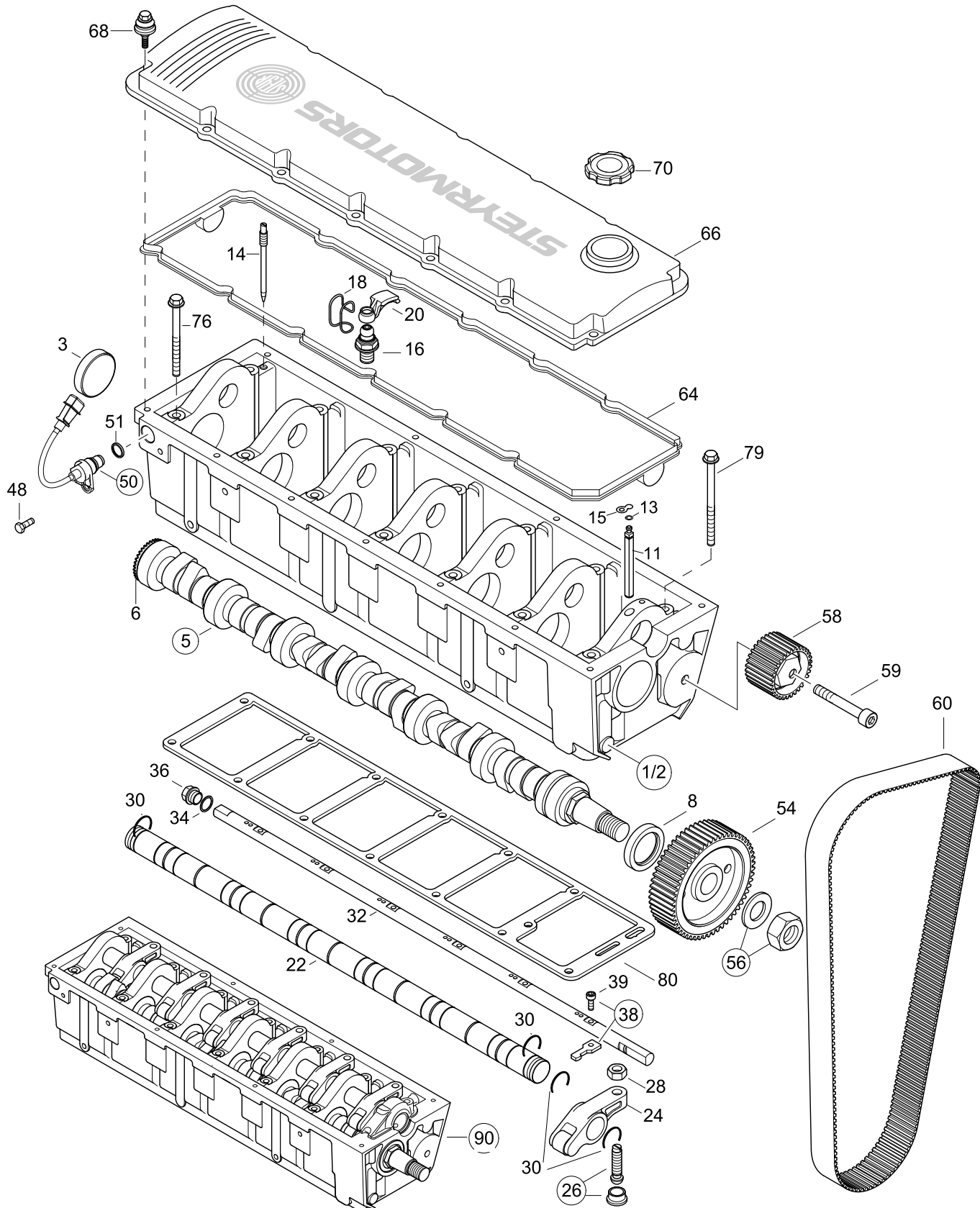


TA 0105

**286 MARINE**  
H43 HIGH POWER  
+ **SOLAS**

**CAMSHAFT HOUSING, TILL -->682300699**

01056184-4







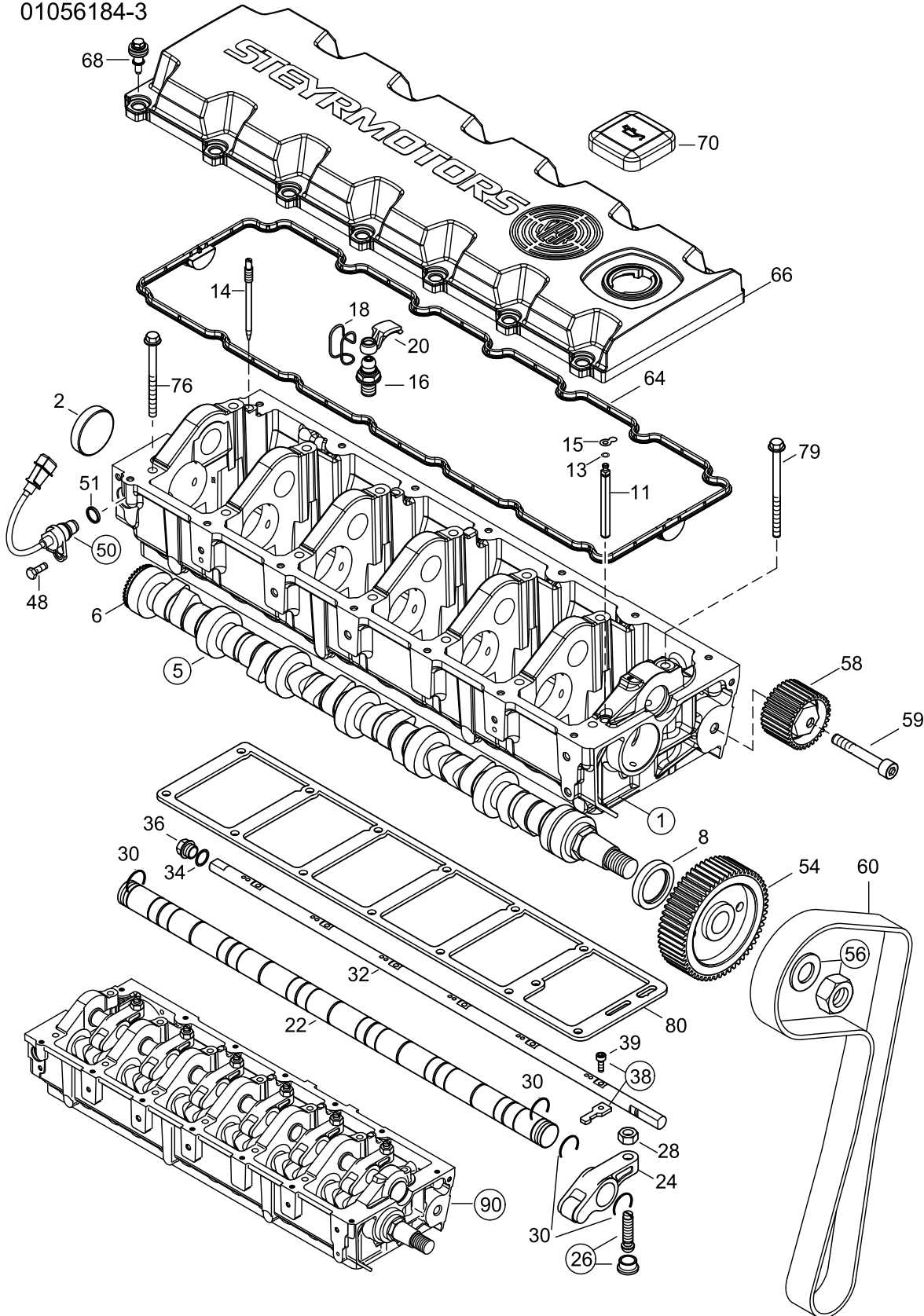
TA 0105



**286 MARINE**  
H43 HIGH POWER  
+ **SOLAS**

**CAMSHAFT HOUSING, FROM 682300700-->**

01056184-3





**CAMSHAFT HOUSING, FROM 682300700-->**



01056184-3

Pos.	Part.-No.	Qty	Designation	Step
1	Z002602-6	1	CAMSHAFT HOUSING ASSY. (FROM 682300700 AND HIGHER)	.2
2	2178083-0	1	CORE HOLE PLUG 50-7	..3
5	2178084-2	1	CAMSHAFT ASSY.	.2
6	2203280-1	1	SENSOR DISK	..3
8	2172086-1	1	ROTARY SHAFT SEAL	.2
11	2178486-2	1	AXLE SUPPORT	.2
13	2179278-0	1	O-RING 4,3x2,4	.2
14	2177513-2	1	GUIDE PIN CONTROL RACK	.2
15	2179251-0	1	LOCKING DEVICE, AXLE SUPPORT	.2
16	2174546-2	12	VALVE TAPPET ADJ. SCREW ASSY.	.2
18	2174552-0	12	RETAINING SPRING	.2
20	2177139-1	12	CAM FOLLOWER ASSY.	.2
22	2174434-1	1	ROCKER ARM SHAFT ASSY .	.2
24	Z002094-0	6	ROCKER ARM ASSY. (SPARE PART)	.2
26	Z002010-0	6	TAPPET ADJUSTER ASSY.	.2
28	3871310-0	6	HEX.NUT DIN 934-M10x1-8	.2
30	2174036-0	14	CRESCENT RING 28x1,5	.2
32	2205115-0	1	CONTROL RACK	.2
34	3098031-0	1	SEALING RING DIN 7603-A26x31-CU	.2
36	3962043-0	1	HEX.HD.SCR.PLUG DIN 7604-C-M26x1.5-ST-A3C	.2
38	Z002009-0	6	CONTROL LINK & BOLT	.2
39	3860140-0	1	HEX.SOCK.HD.CAP SCR. DIN 912-M5x20-LH-10.9	..3
48	3800238-0	1	HEX.HD.SCR. ISO 4017-M6x12-A2-70	.2
50	2176734-2	1	REVOLUTION SENSOR	.2
51	2176729-0	1	O-RING 17,17 x 1,78	..3
54	2177642-0	1	TIMING BELT PULLEY CAMSHAFT	.2
56	Z002011-0	1	NUT & WASHER, CAMSHAFT PULLEY	.2
58	2178548-5	1	IDLER PULLEY ASSY.	.2
59	3860155-0	1	HEX.SOCK.HD.CAP SCR. DIN 912-M10x70-10.9-DAC A500	.2
60	2179985-0	1	TIMING BELT	.2
64	2179921-0	1	SEALING, CAMSHAFT HSG-COVER	.2



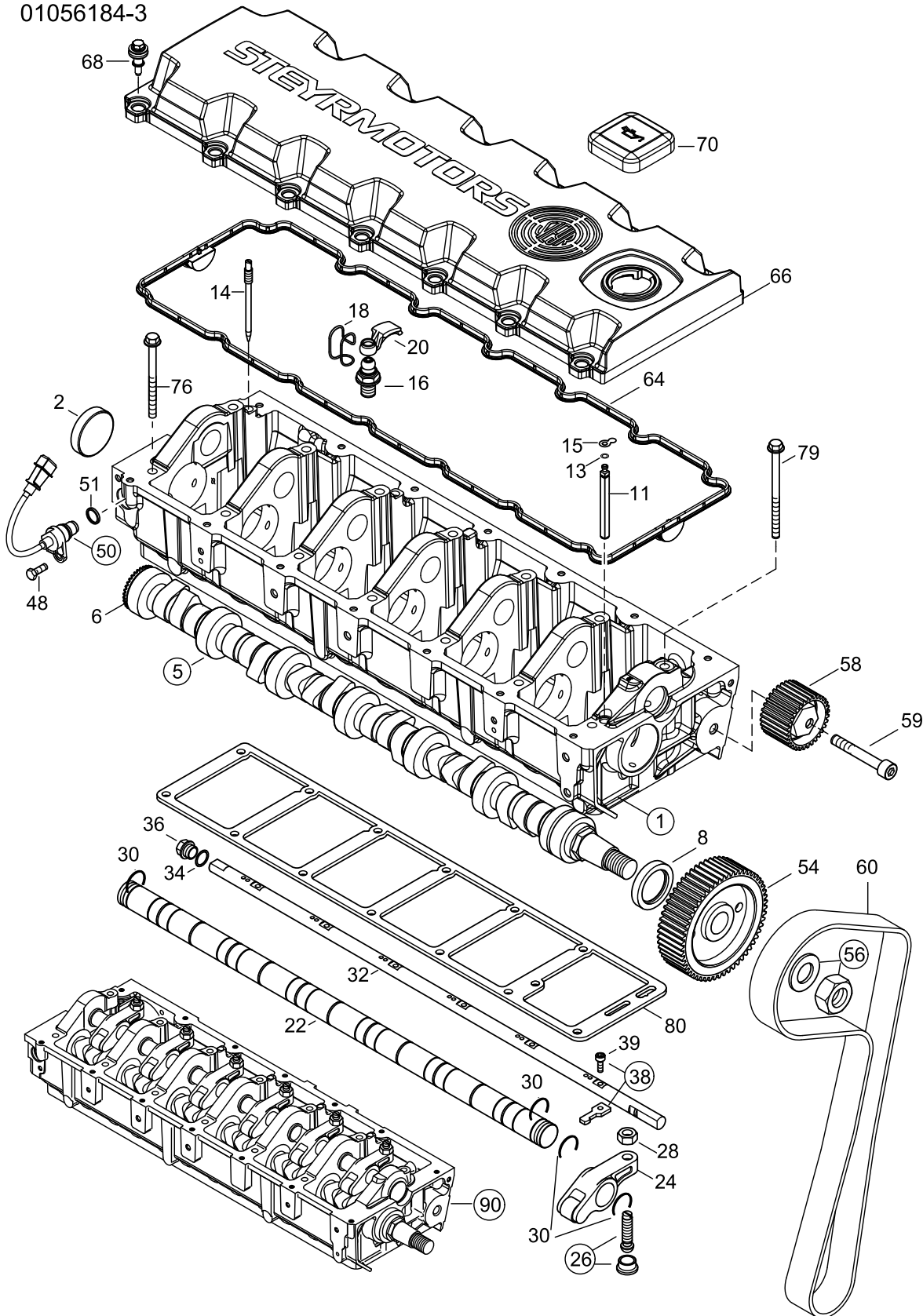


TA 0105

**286 MARINE**  
H43 HIGH POWER  
+ **SOLAS**

CAMSHAFT HOUSING, FROM 682300700-->

01056184-3





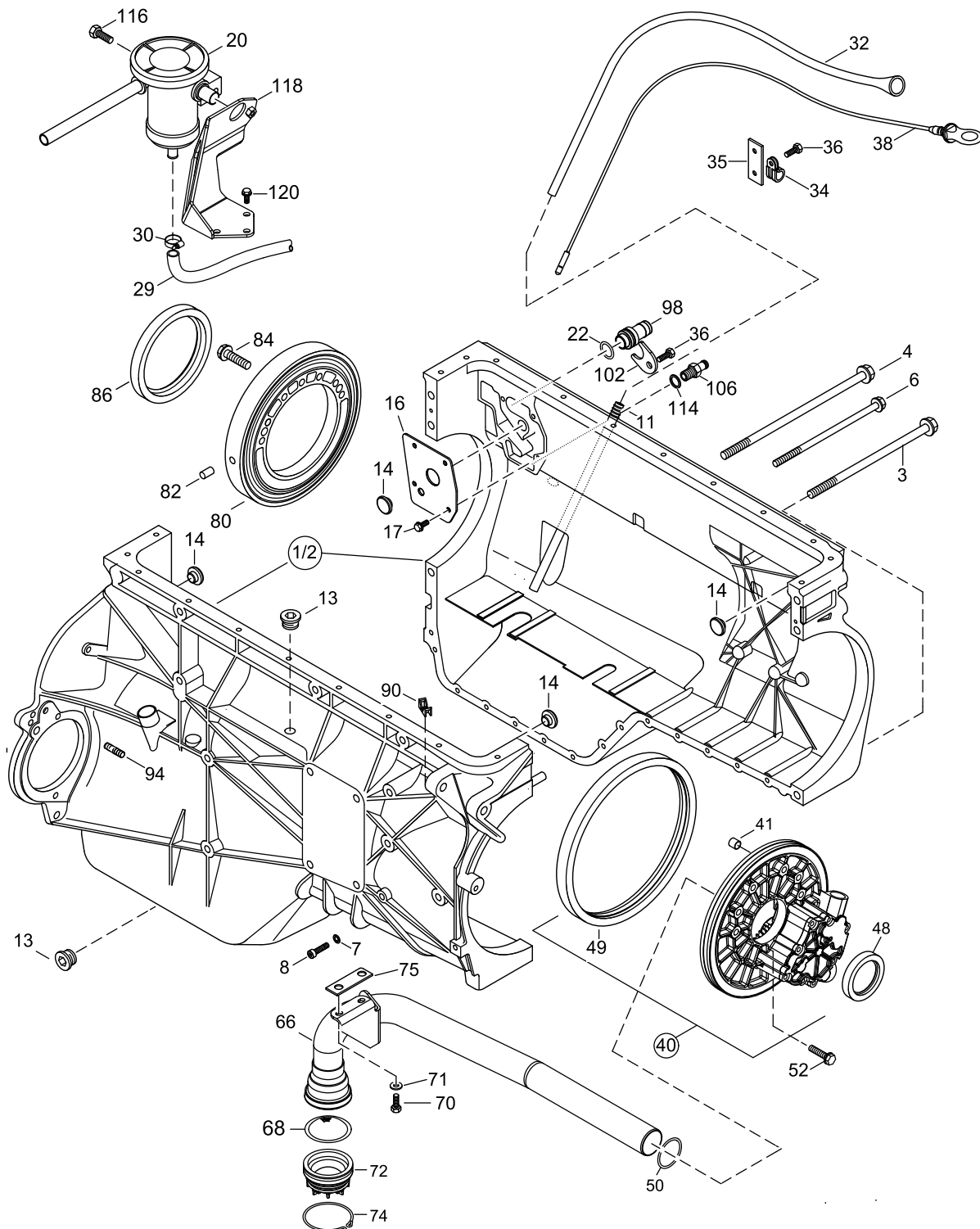


TA 0106

**286 MARINE**  
H43 HIGH POWER  
+ **SOLAS**

**OILPUMP, OILPIPE, OILPAN, OIL DIPSTICK**

01066184-3





**OILPUMP, OILPIPE, OILPAN, OIL DIPSTICK**

**286 MARINE**  
H43 HIGH POWER  
**+ SOLAS**

01066184-3

Pos.	Part.-No.	Qty	Designation	Step
1	Z002689-0	1	ENGINE HOUSING ASSY. (INCL. PIPE OIL-DIPSTICK)	.2
3	9000464-0	2	HEX.FLANGE BOLT EN 1665-M10x200-8.8-A3C	..3
4	9000463-0	2	HEX.FLANGE BOLT EN 1665-M10x250-8.8-A3C	..3
6	9000465-0	3	HEX.FLANGE BOLT EN 1665-M8x180-8.8-A2C	..3
7	3932008-0	13	SPRING WASHER DIN 137-B6-FST-A3C	..3
8	3862327-0	13	HEX.SOCK.HD.CAP SCR. DIN 912-M6x25-8.8-A2C	..3
11	2178346-1	1	OILSUCTION-PIPE ASSY.	..3
13	9000590-0	2	HEX.SOCK.SCR.PLUG WITH RUBBER SEAL M22x1,5	..3
14	2174072-0	4	RUBBER PAD	..3
16	2179260-1	1	COVER PRE OIL SEPARATOR 6 CYL.	..3
17	9000287-0	4	HEX.FLANGE BOLT EN 1665-M6x12-8.8-A3C	..3
20	Z002051-1	1	OIL SEPARATOR WITH PIPE	.2
22	2178310-1	1	O-RING 17x3,53	.2
29	2178287-2	1	HOSE, OIL DRAIN L=560	.2
30	2174405-0	4	HOSE CLAMP 10-16/7,5 EN 10088-1	.2
32	2179824-0	1	TUBE OIL-DIPSTICK	.2
34	2178566-0	1	PIPE CLAMP RSGU1.15/15-W5	.2
35	2177743-9	1	FISHPLATE OIL INTAKE PIPE PAINTED	.2
36	3800233-0	2	HEX.HD.SCR. ISO 4017-M6x16-A2-70	.2
38	2203751-1	1	OIL DIP STICK ASSY.	.2
40	Z002690-0	1	OIL PUMP ASSY.	.2
41	2170298-0	2	FITTING SLEEVE	..3
48	2170276-1	1	ROTARY SHAFT SEAL	..3
49	2174067-0	1	SEALING RING	..3
50	2179991-0	1	O-RING 33x3,5	..3
52	9000278-0	6	HEX.FLANGE BOLT EN 1665-M8x35-8.8-A2C	.2
66	Z026069-0	1	OILSUCTION PIPE ASSY.	.2
68	2200449-0	1	OIL STRAINER	.2
70	3802329-0	2	HEX.HD.SCR. ISO 4017-M6x18-8.8-A2C	.2
71	3930251-0	2	WASHER DIN 125-A6.4-140HV-A3C	.2
72	2200450-0	1	SUCTION CAGE	.2



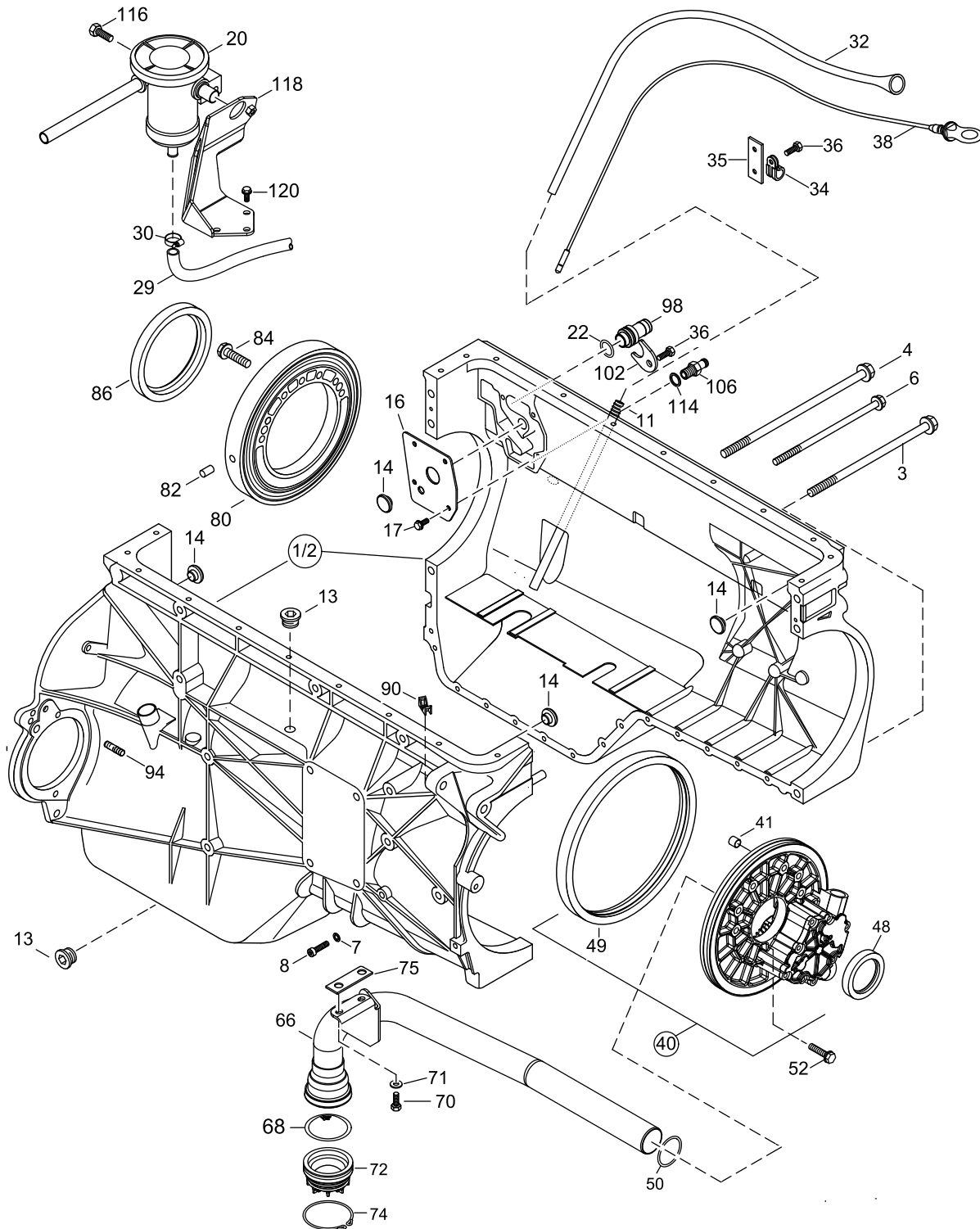


TA 0106

**286 MARINE**  
H43 HIGH POWER  
+ SOLAS

OILPUMP, OILPIPE, OILPAN, OIL DIPSTICK

01066184-3





OILPUMP, OILPIPE, OILPAN, OIL DIPSTICK

**286 MARINE**  
H43 HIGH POWER  
**+ SOLAS**

01066184-3

Pos.	Part.-No.	Qty	Designation	Step
74	9000628-0	1	SNAP RING DIN 7993-A60	.2
75	2203513-2	1	PLATE, OIL SUCTION PIPE	.2
80	2174992-1	1	SUPPORT RING REAR	.2
82	3901409-0	1	PARALLEL PIN ISO 2338-8m6x14-ST	.2
84	9000278-0	7	HEX.FLANGE BOLT EN 1665-M8x35-8.8-A2C	.2
86	2172289-1	1	ROTARY SHAFT SEAL	.2
90	2178870-2	1	FIXTURE, CABLE TIE	.2
94	9000478-0	1	STUDDIN 835-M10x25-A2-70	.2
98	2179544-0	1	FITTINGDM16	.2
102	2179543-0	1	CLAMPING PLATE	.2
106	2179908-0	1	SCREW-IN SOCKET, PRE OIL SEPARATOR	.2
114	3098013-0	1	SEALING RING DIN 7603-A12x18-CU	.2
116	9000063-0	1	HEX.SOCK.HD.CAP SCR.DIN 912-M8x20-A2-70	.2
118	2180474-0	1	BRACKET, OIL SEPARATOR	.2
120	3800233-0	3	HEX.HD.SCR. ISO 4017-M6x16-A2-70	.2





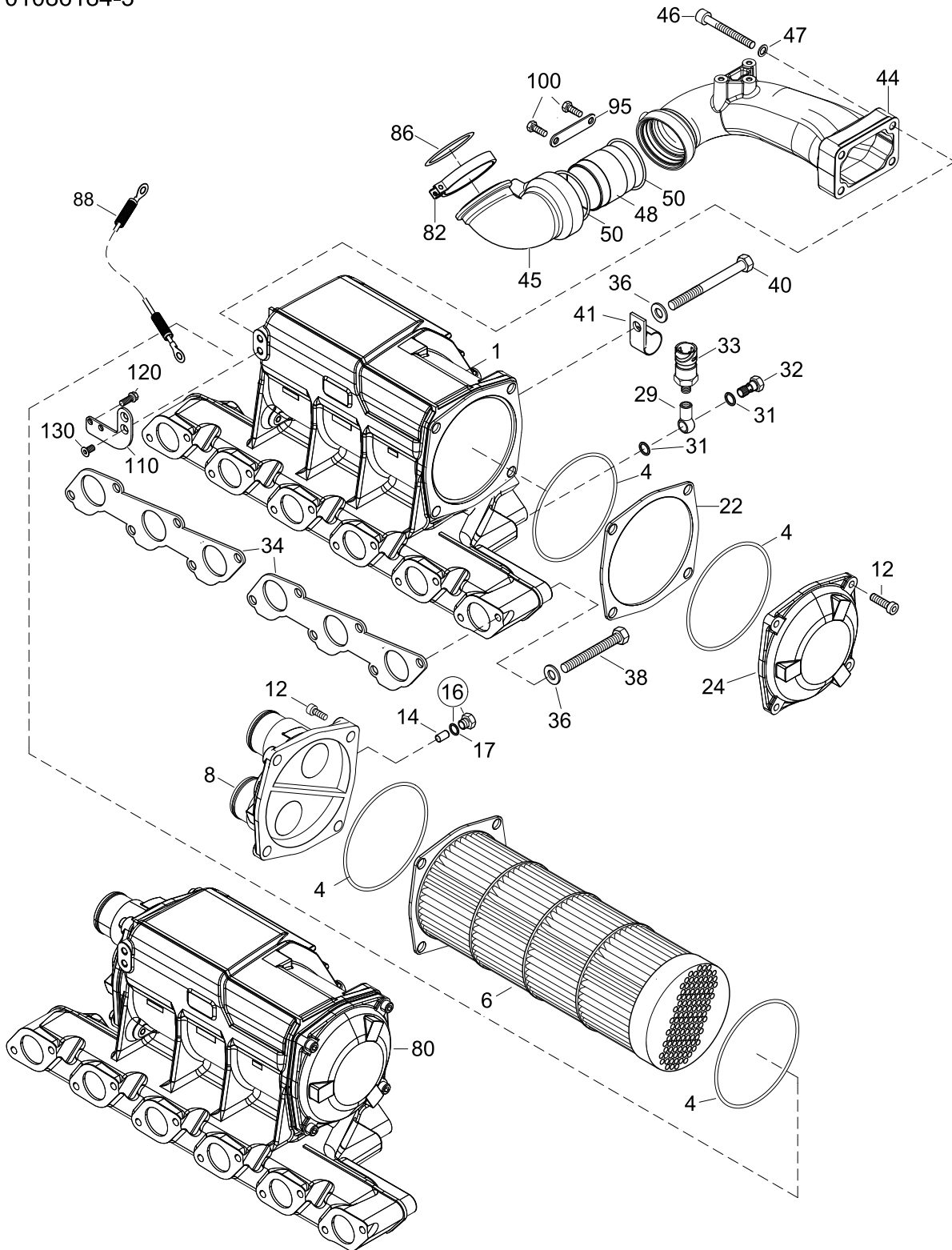
TA 0108



**286 MARINE**  
H43 HIGH POWER  
+ **SOLAS**

**INTERCOOLER**

01086184-3





<b>INTERCOOLER</b>	<b>286 MARINE</b> H43 HIGH POWER <b>+ SOLAS</b>
--------------------	---

01086184-3

Pos.	Part.-No.	Qty	Designation	Step
1	Z002692-0	1	INTERCOOLER HOUSING, (PAINTED)	.2
4	2180010-0	4	O-RING 135x4	.2
6	2180009-0	1	INTERCOOLER	.2
8	Z002693-0	1	COVER INTERCOOLER REAR, PAINTED	.2
12	9000064-0	8	HEX.SOCK. HD.CAP SCR. DIN 912-M8x35-8.8-A3C	.2
14	2178413-1	1	ZINC ANODE	.2
16	Z002017-0	1	PLUG & SEAL FOR ZINC-ANODE	.2
17	3098020-0	1	SEALING RING DIN 7603-A18x22-CU	.3
22	2180012-0	1	SPACER, INTERCOOLER	.2
24	Z002694-0	1	COVER INTERCOOLER FRONT, PAINTED	.2
29	2179620-0	1	BRACKET BOOST PRESSURE SENSOR	.2
31	3098011-0	2	SEALING RING DIN 7603-A10x16-CU	.2
32	9000010-1	1	HOLLOW SCREW M10x1 DIN 7643-6-3-S	.2
33	2206305-0	1	PRESSURE SENSOR 1-8 27 NPT	.2
34	2177585-2	2	GASKET INTAKE MANIFOLD	.2
36	3930103-0	12	WASHER DIN 125-8.4-140HV-A2	.2
38	3800471-0	6	HEX.HD.BOLT ISO 4014-M8x90-8.8-A2C	.2
40	9000732-0	6	HEX.HD.BOLT ISO 4014-M8x210-8.8	.2
44	Z002695-0	1	PRESSURE PIPE PART 1 (PAINTED)	.2
45	2179204-9	1	PRESSURE PIPE PART 2 (PAINTED)	.2
46	3862433-0	4	HEX.SOCK. HD.CAP SCR. DIN 912-M8x30-A2-70	.2
47	3930103-0	4	WASHER DIN 125-8.4-140HV-A2	.2
48	2179207-0	1	TUBE, ELBOW AIR INTAKE	.2
50	2179206-0	2	O-RING 55x5	.2
80	Z002691-0	1	INTERCOOLER ASSY. (PAINTED)	.2
82	2179208-0	1	CLAMP	.2
86	2179205-0	1	O-RING 60x2	.2
88	2206210-1	1	GROUND WIRE ASSY.	.2
95	2179252-0	1	CONNECTING STRAP	.2
100	3800238-0	2	HEX.HD.SCR. ISO 4017-M6x12-A2-70	.2
110	2179867-0	1	BRACKET INTERCOOLER	.2





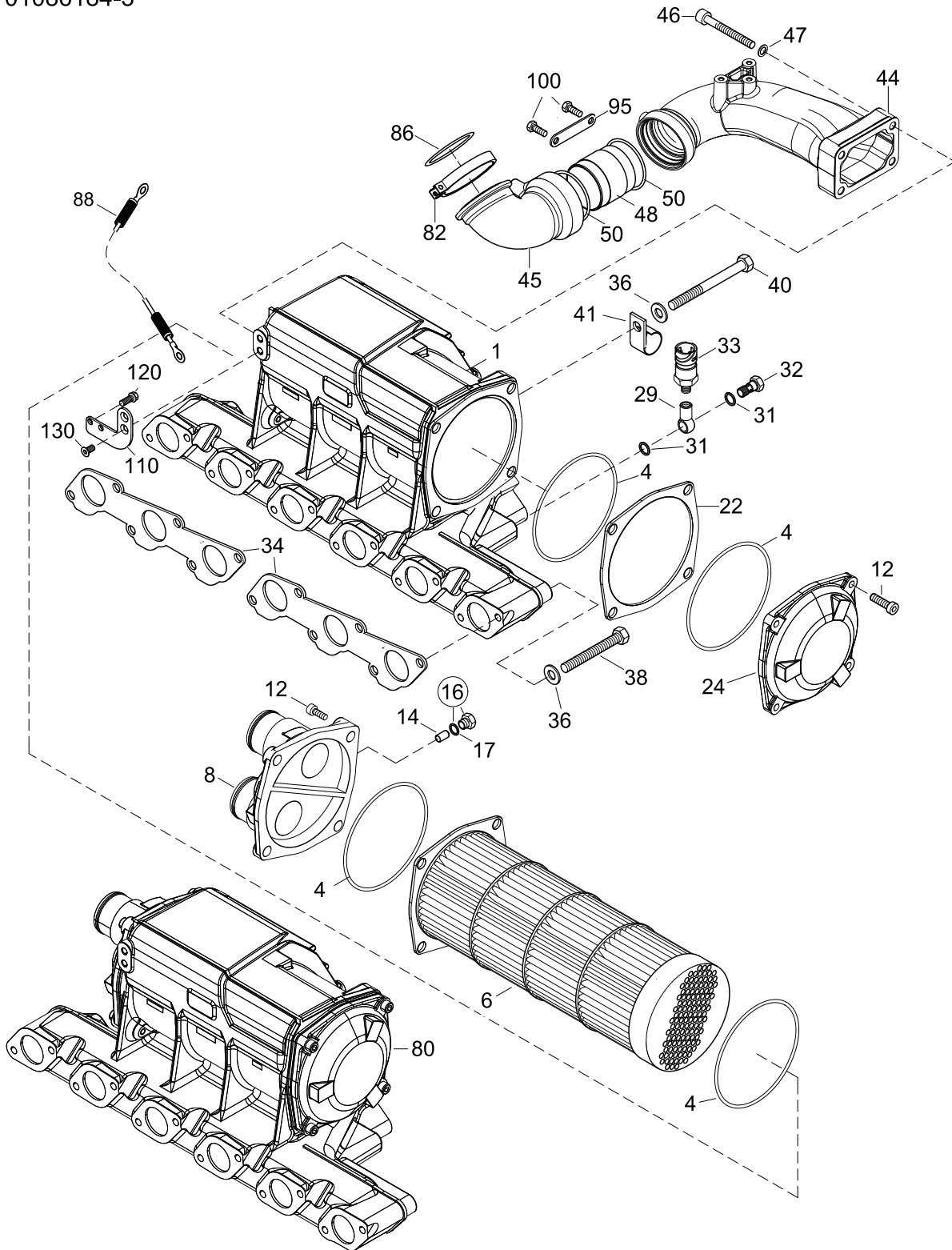
TA 0108



**286 MARINE**  
H43 HIGH POWER  
+ SOLAS

**INTERCOOLER**

01086184-3





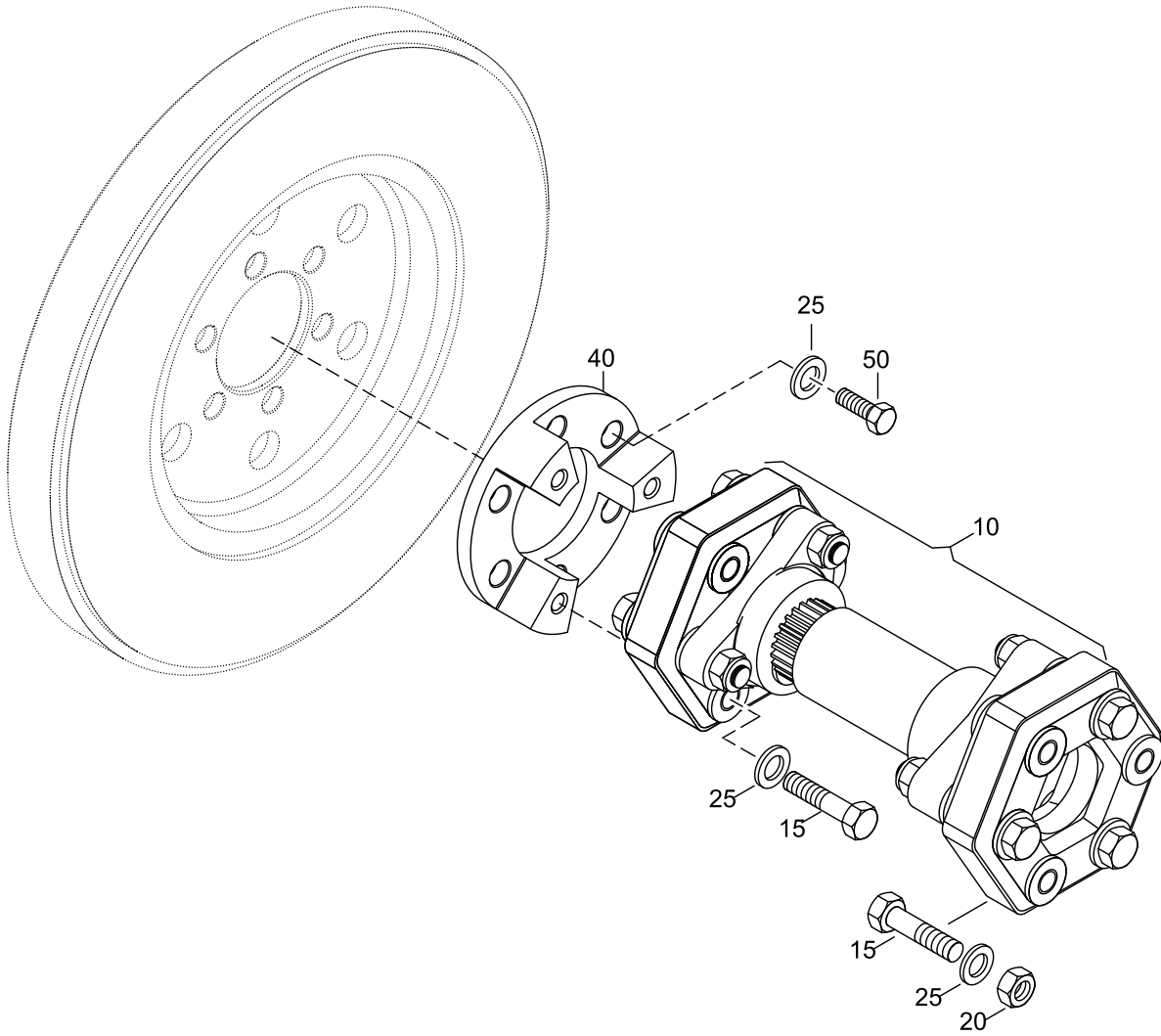


TA 0109

**286 MARINE**  
H43 HIGH POWER  
+ **SOLAS**

POWER TAKE OFF FRONT

01096184-0





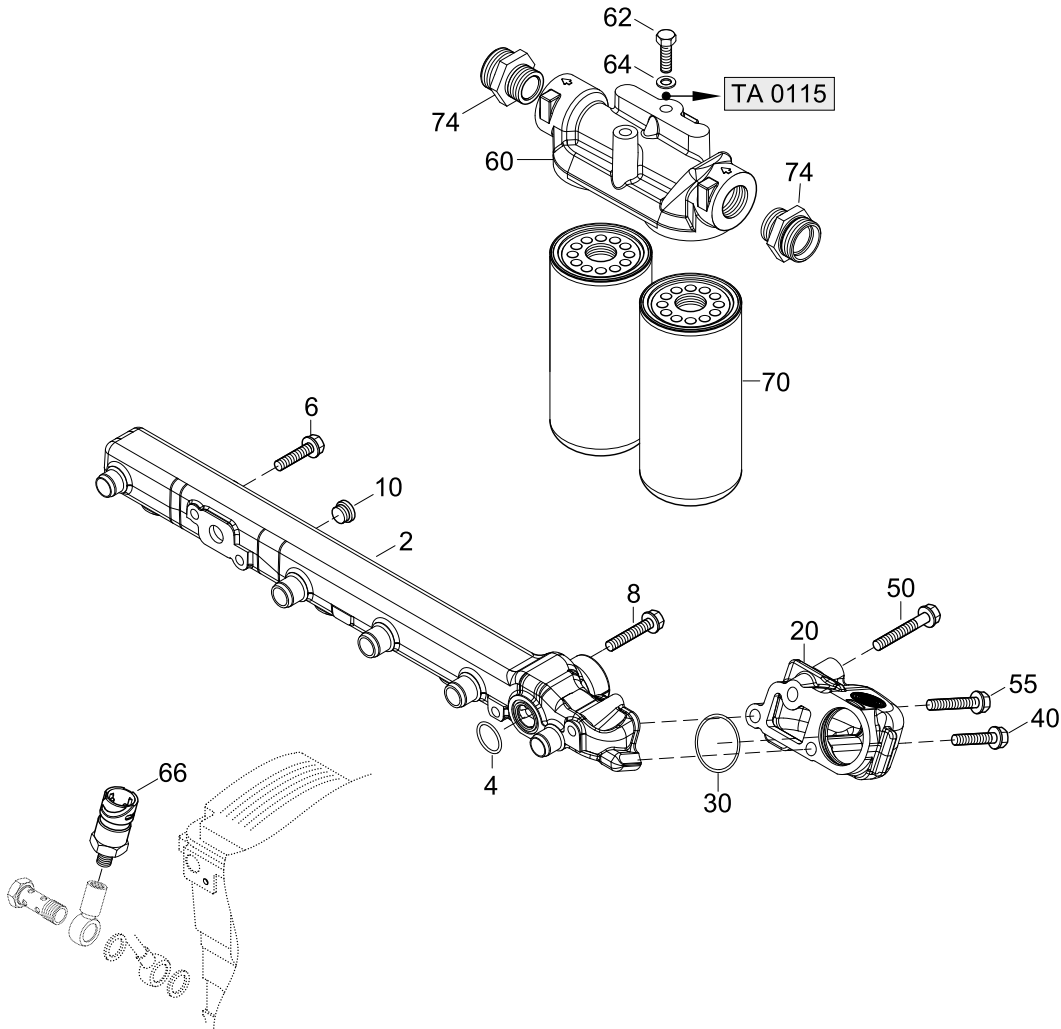


TA 0113

**286 MARINE**  
H43 HIGH POWER  
+ **SOLAS**

**COOLANT DISTRIBUTION PIPE, OILFILTER**

01136184-2





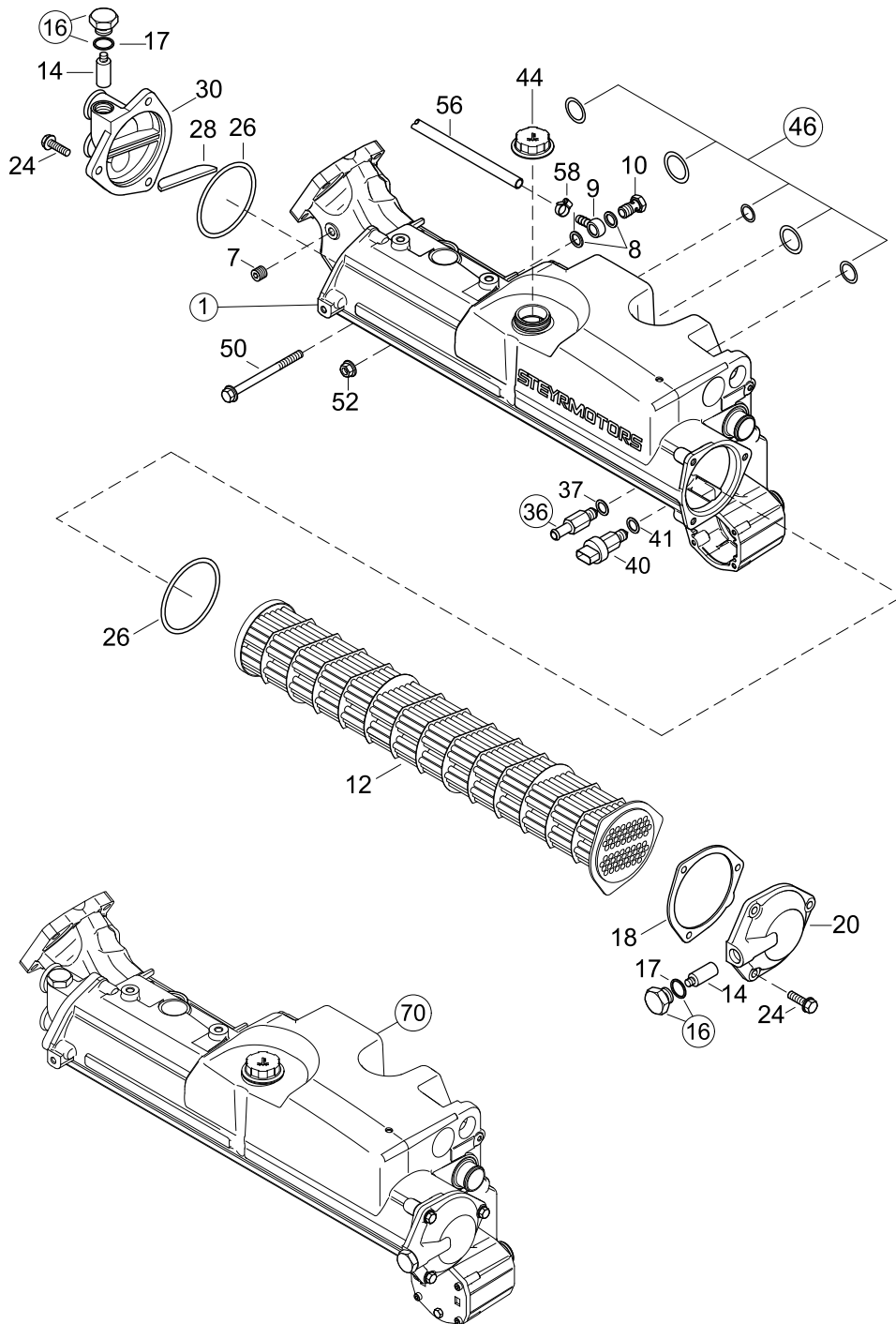


TA 0114

**286 MARINE**  
H43 HIGH POWER  
+ SOLAS

**EXHAUST, HEAT EXCHANGER, GASKETS**

01146184-2





**EXHAUST, HEAT EXCHANGER, GASKETS**

**286 MARINE**  
H43 HIGH POWER  
**+ SOLAS**

01146184-2

Pos.	Part.-No.	Qty	Designation	Step
1	Z002019-3	1	EXHAUST & HEATEXCHANGER HSG, PAINTED (O-RING, SCREW CAP)	.2
7	2170217-0	1	SCREW PLUG M10x1	..3
8	3098011-0	2	SEALING RING DIN 7603-A10x16-CU	..3
9	2174384-1	1	BANJO DN6 DIN 7642	..3
10	9000010-1	1	HOLLOW SCREW M10x1 DIN 7643-6-3-S	..3
12	2177613-0	1	HEAT EXCHANGER	.2
14	2178413-1	2	ZINC ANODE	.2
16	Z002017-0	2	PLUG & SEAL FOR ZINC-ANODE	.2
17	3098020-0	1	SEALING RING DIN 7603-A18x22-CU	..3
18	2174155-1	1	GASKET, HEAT EXCHANGER COVER	.2
20	2173510-9	1	COVER HEAT EXCHANGER, FRONT PAINTED	.2
24	9000431-0	6	HEX.FLANGE BOLT EN 1665-M8x30-10.9-DAC	.2
26	2173636-0	2	O-RING 90x3	.2
28	2174073-0	1	SEAL FOR HEAT EXCHANGER COVER	.2
30	2177450-9	1	COVER HEAT EXCHANGER REAR, PAINTED	.2
36	Z002000-0	1	DRAIN, COOLANT WITH SEALING RING	.2
37	3098013-0	1	SEALING RING DIN 7603-A12x18-CU	..3
40	2174623-3	1	COOLANT TEMPERATURE SENSOR	.2
41	3098013-0	1	SEALING RING DIN 7603-A12x18-CU	.2
44	2179811-0	1	SEALING CAP COOLER - PVC	.2
46	Z002652-0	1	SEAL KIT, EXH.MANIF - BLOCK 6 CYL.MARINE (O-RINGS)	.2
50	9000248-1	12	HEX.FLANGE BOLT EN 1665-M8x110-10.9-A2C	.2
52	3880049-0	3	HEX.FLANGE NUT DIN 6923-M6-A2-70	.2
56	2178552-0	1	HOSE VENTING	.2
58	2178893-0	2	HOSE CLAMP 8-12/7,5	.2
70	Z002020-4	1	EXHAUST & HEATEXCHANGER ASSY, PAINTED (O-RING, SCREW CAP)	.2



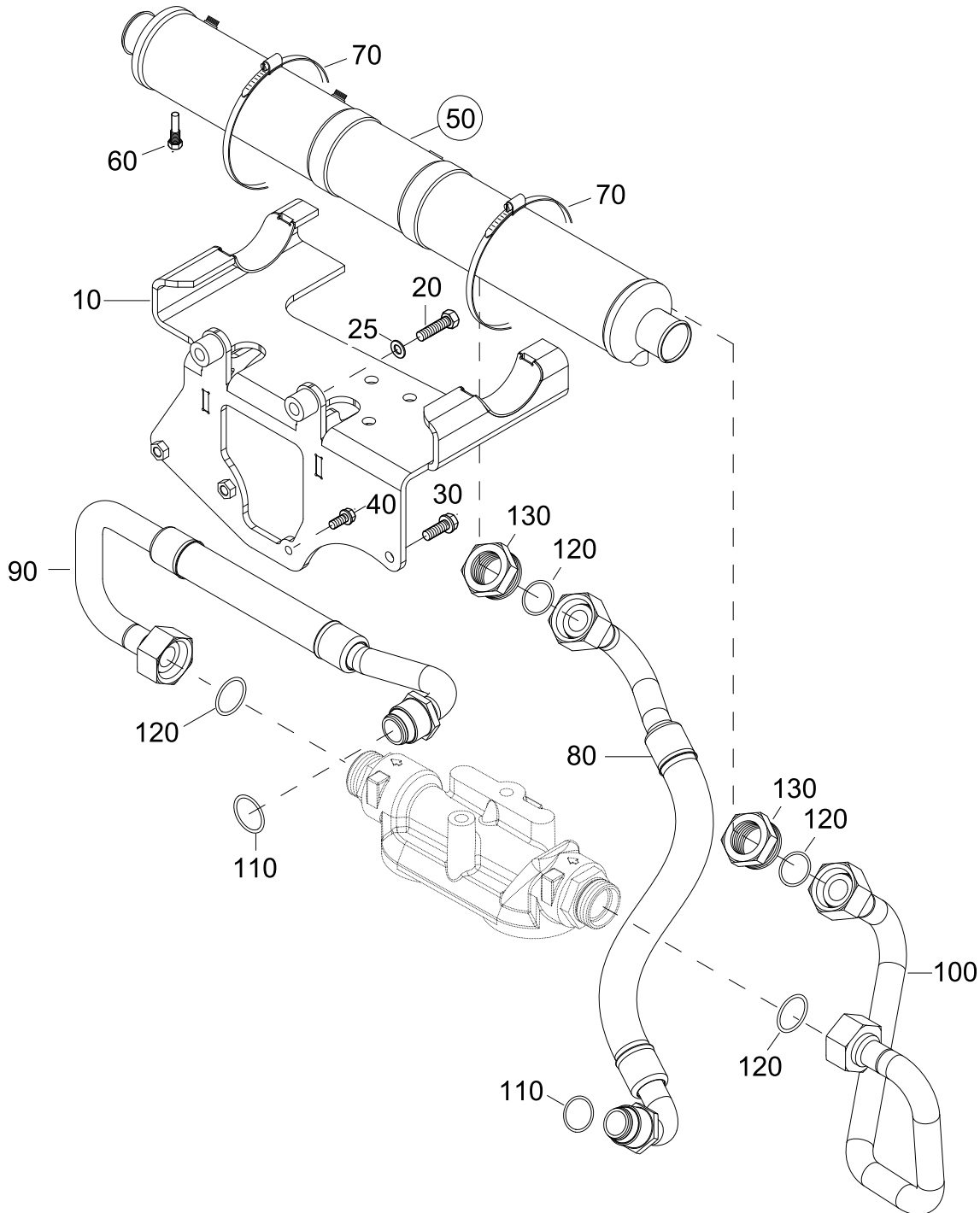


TA 0115

**286 MARINE**  
H43 HIGH POWER  
+ **SOLAS**

**OILCOOLER RAW WATER**

01156184-0





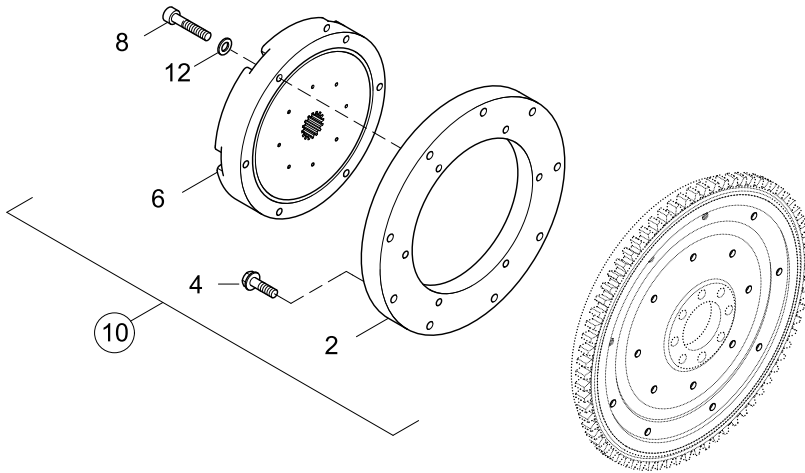


TA 0200

**286 MARINE**  
H43 HIGH POWER  
+ **SOLAS**

**TORSIONAL COUPLING**

02006184-2





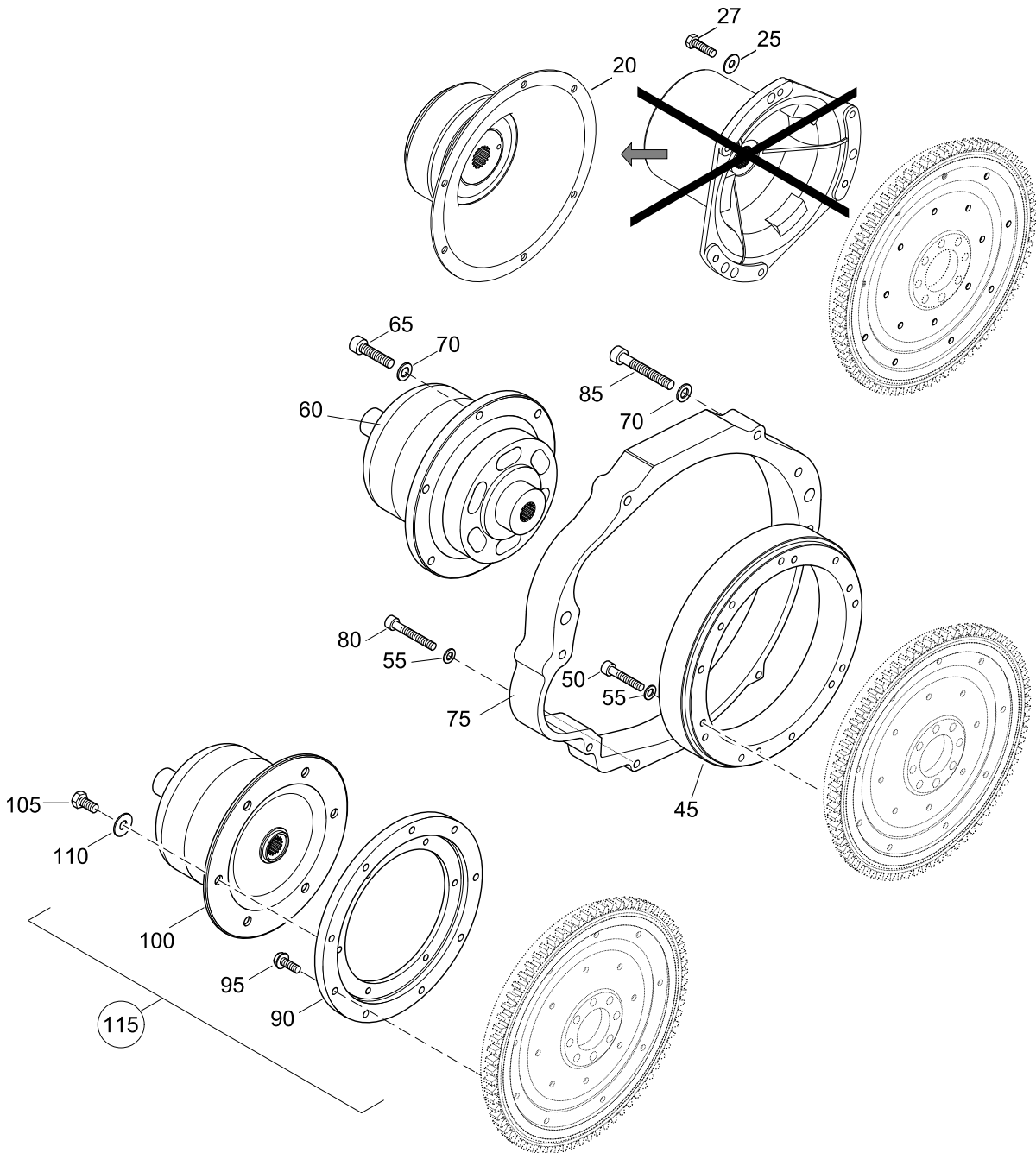


TA 0210

**286 MARINE**  
H43 HIGH POWER  
+ SOLAS

**COUPLER**

02106184-0





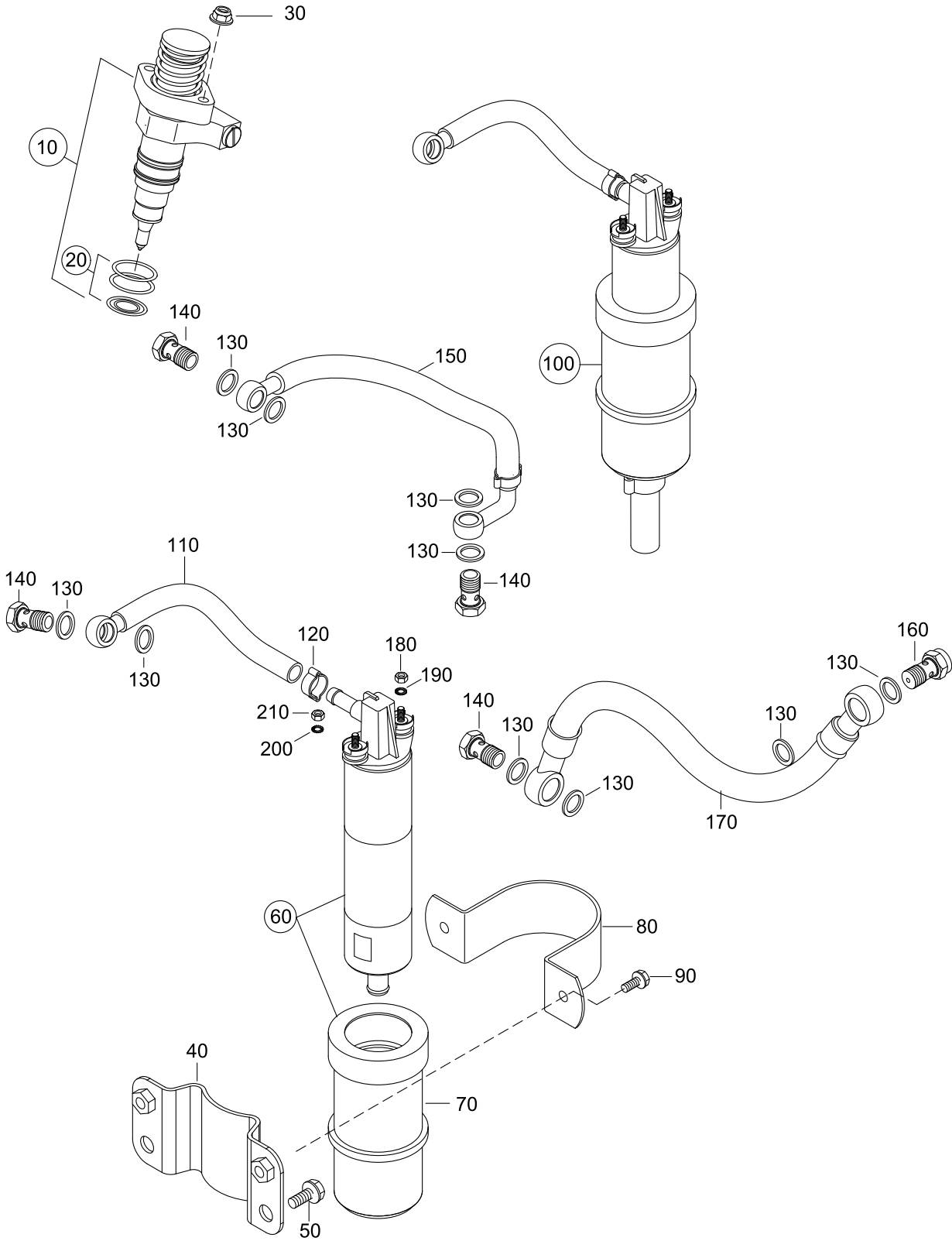


TA 0302

**286 MARINE**  
H43 HIGH POWER  
+ **SOLAS**

FUEL PUMP, UNIT INJECTOR, PIPE

03026184-3







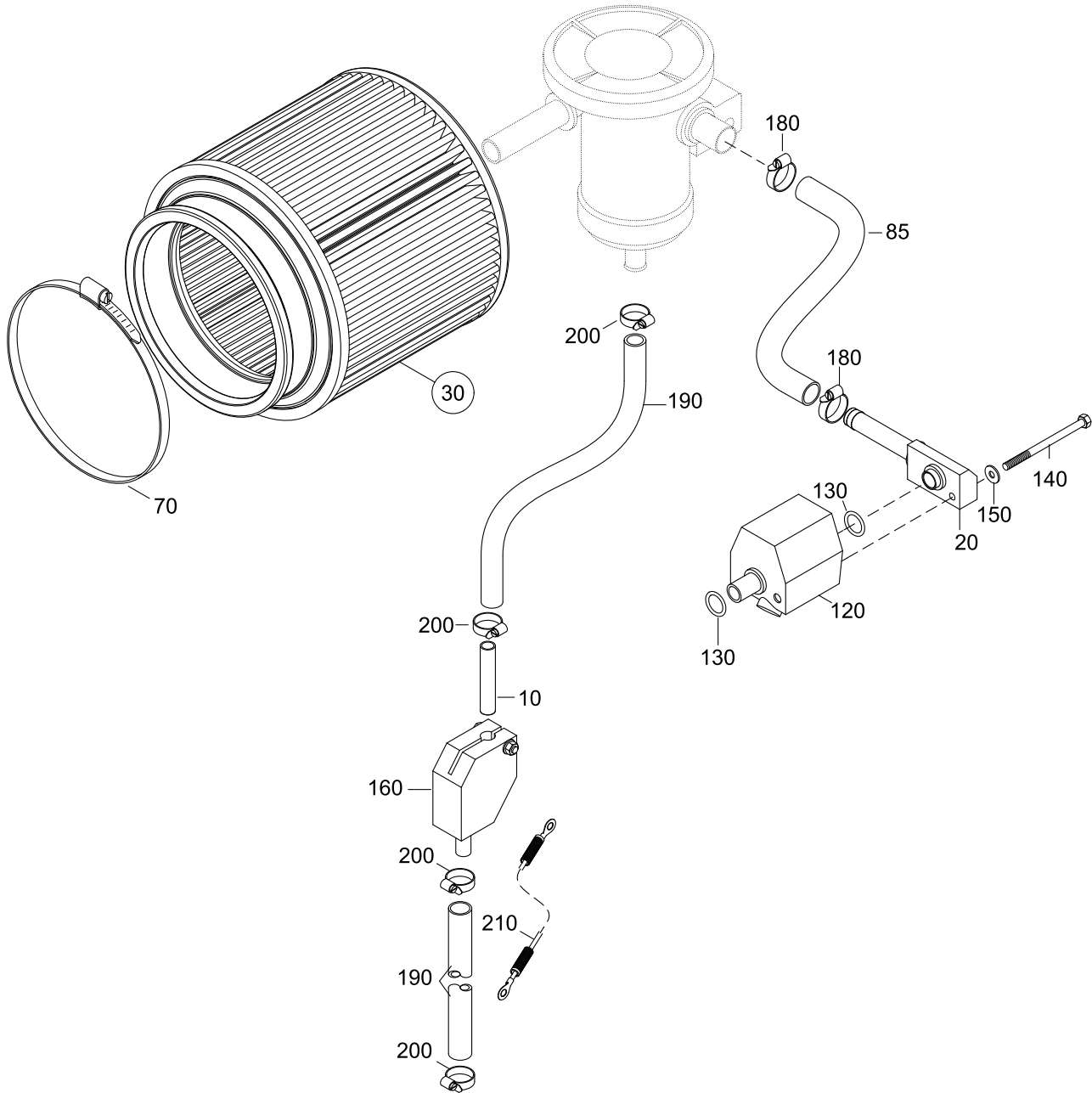
TA 0304



**286 MARINE**  
H43 HIGH POWER  
**+ SOLAS**

**AIRFILTER, INVERSIONVALVE SOLAS**

03046184-4







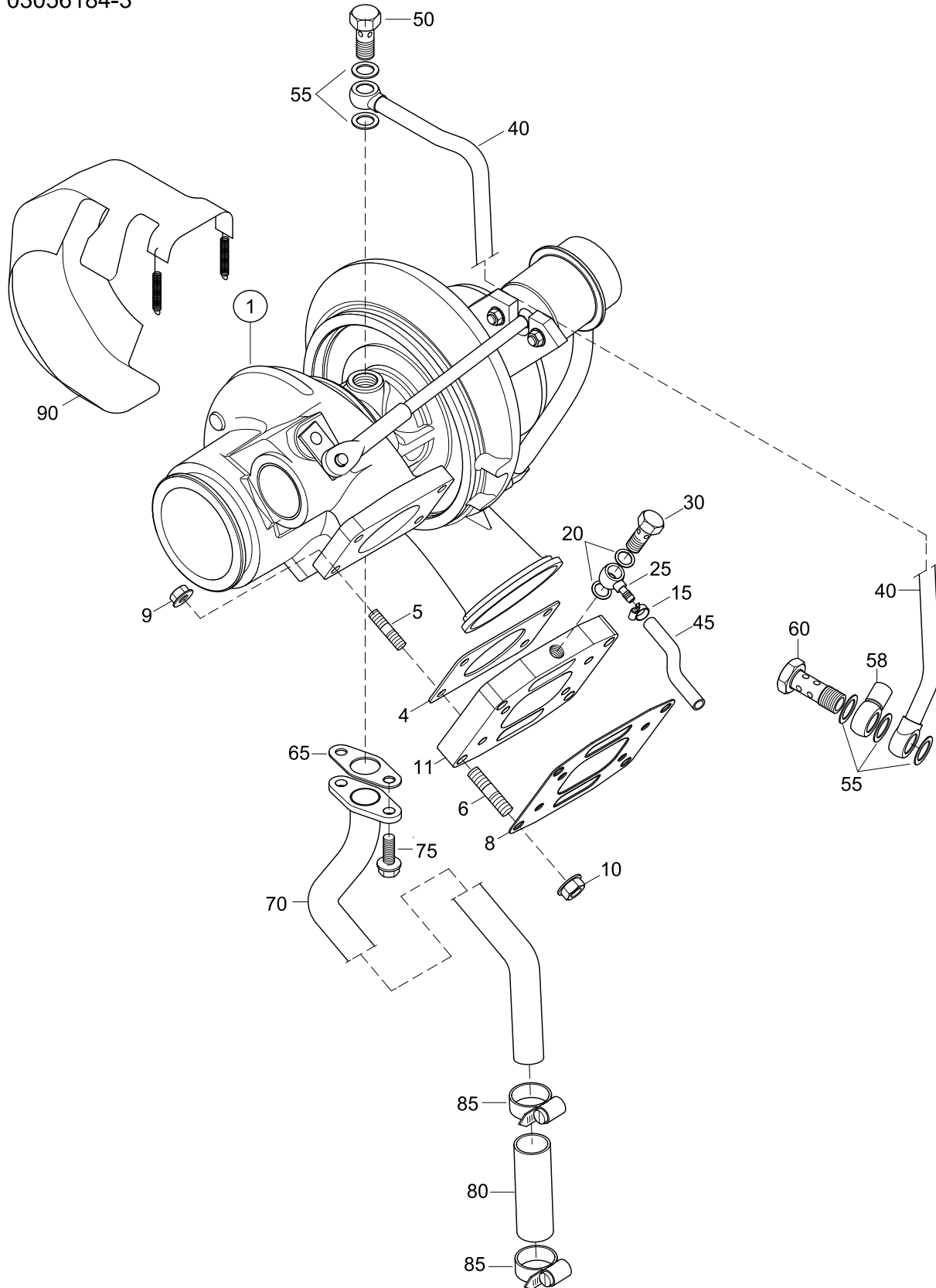
TA 0305



**286 MARINE**  
H43 HIGH POWER  
+ **SOLAS**

**TURBOCHARGER**

03056184-3







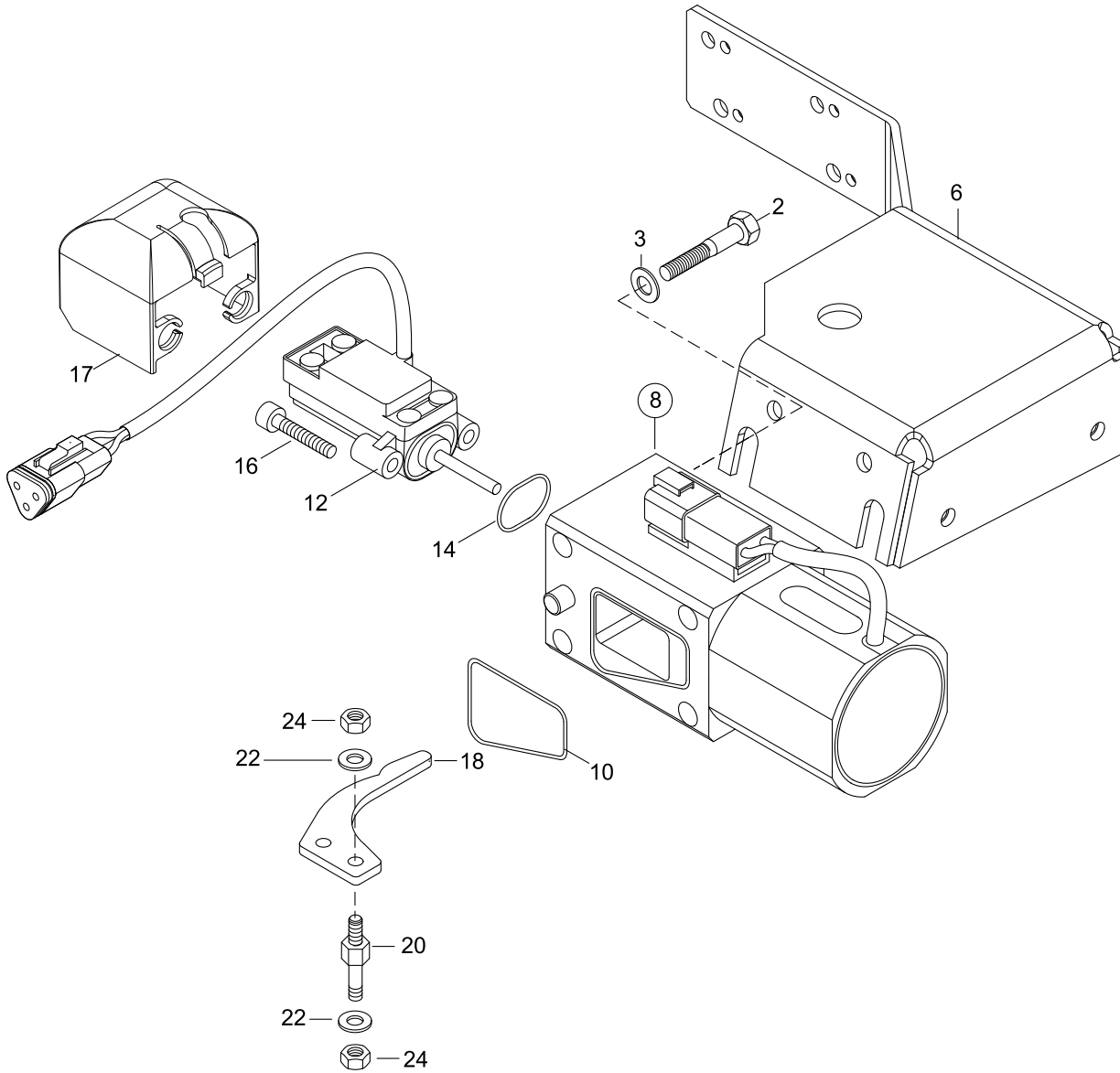
TA 0308



**286 MARINE**  
H43 HIGH POWER  
**+ SOLAS**

CONTR. SOLENOID, SENSOR CONTROL RACK POSITION

03086184-2







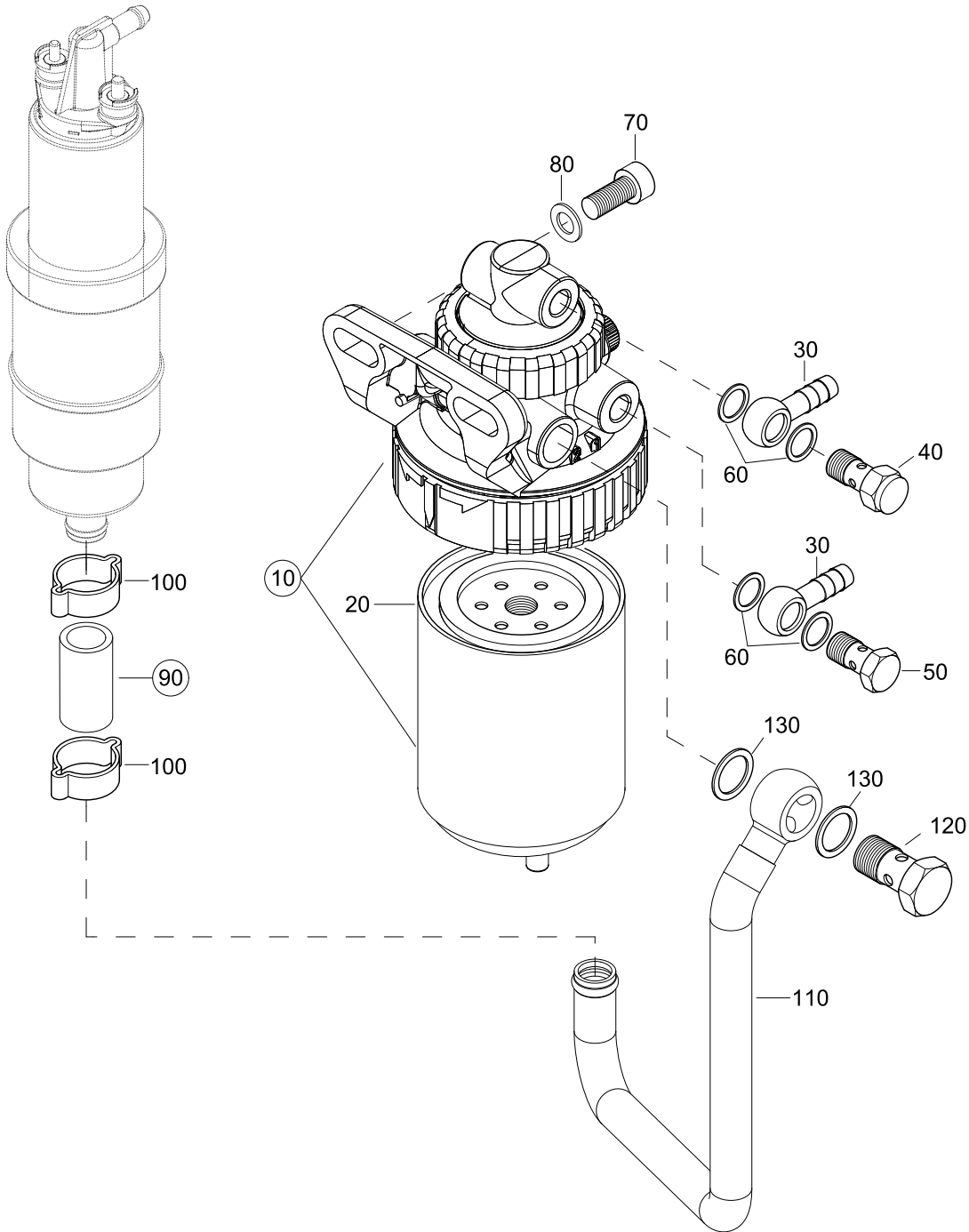
TA 0309



**286 MARINE**  
H43 HIGH POWER  
**+ SOLAS**

**FUEL FILTER**

03096184-2





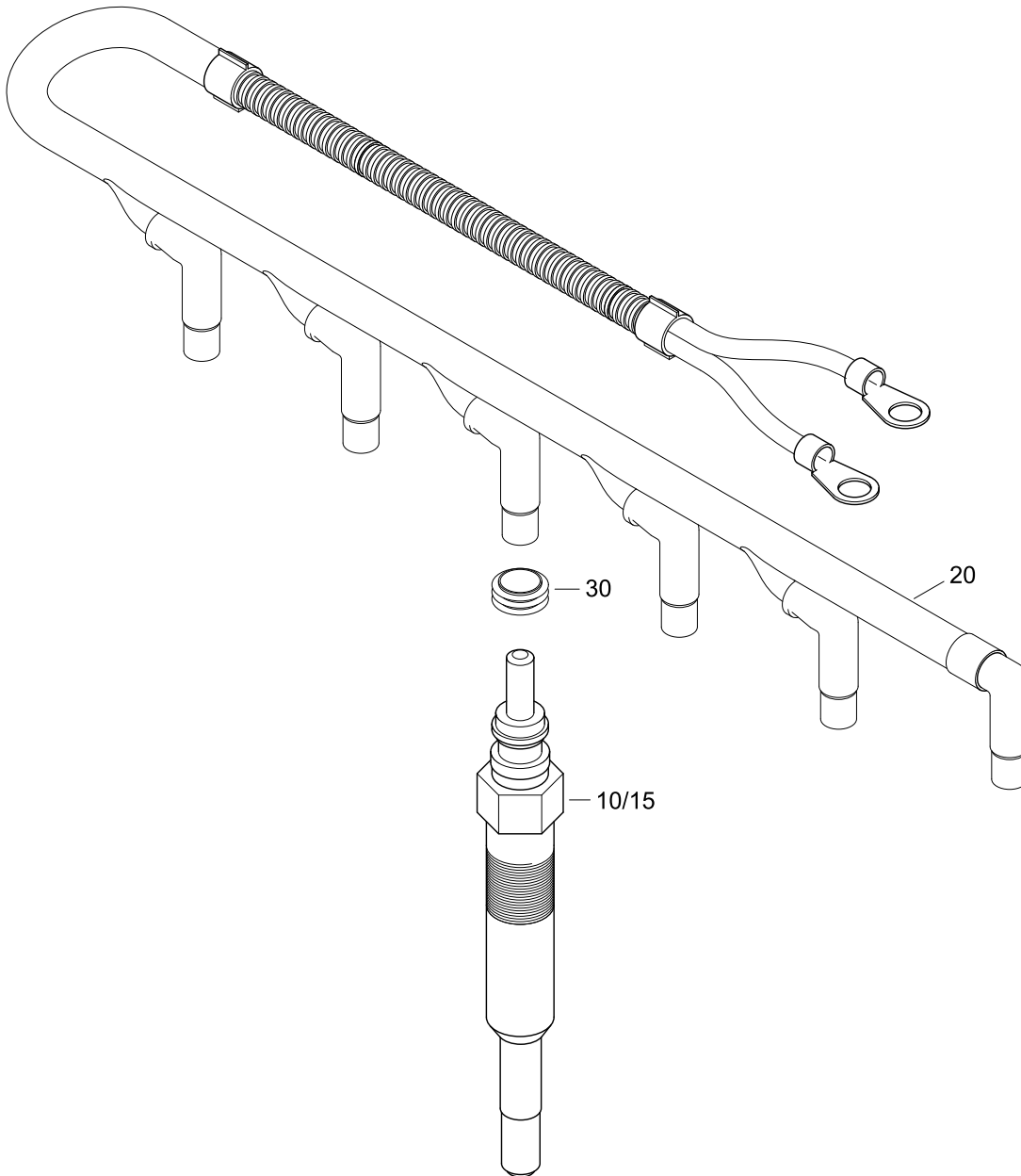


TA 0311

**286 MARINE**  
H43 HIGH POWER  
+ **SOLAS**

GLOW PIN

03116084-0







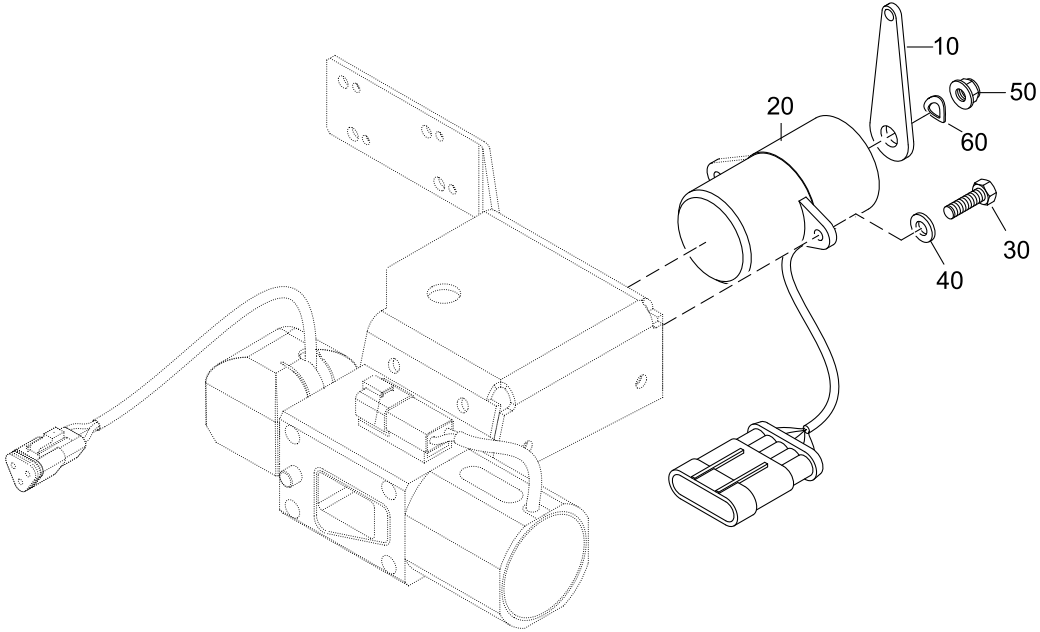
TA 0312



**286 MARINE**  
H43 HIGH POWER  
+ **SOLAS**

POTENTIOMETER ACCELERATOR

03126184-2





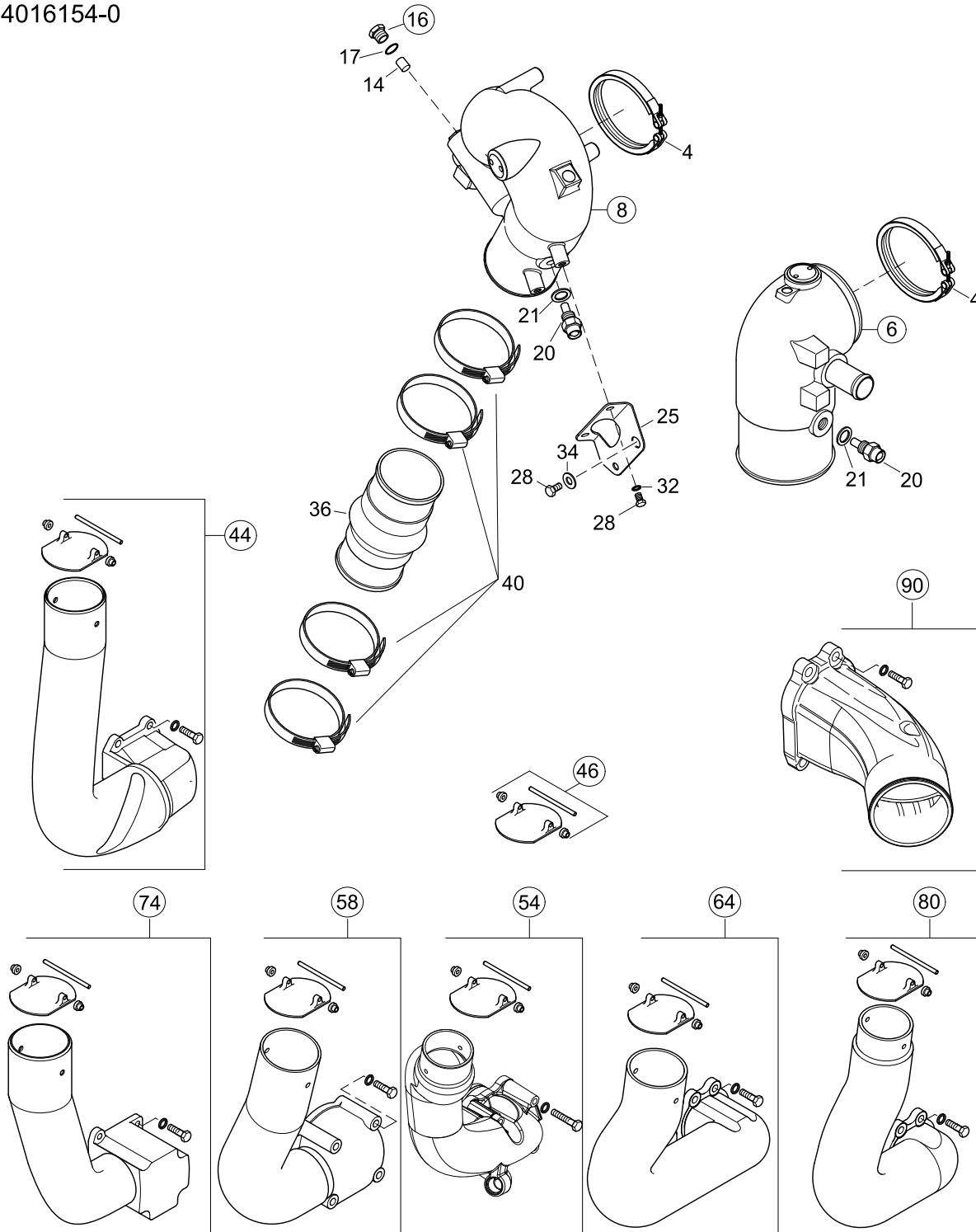


TA 0401

**286 MARINE**  
H43 HIGH POWER  
+ **SOLAS**

**HIGH RISER, EXHAUSTPIPE**

04016154-0





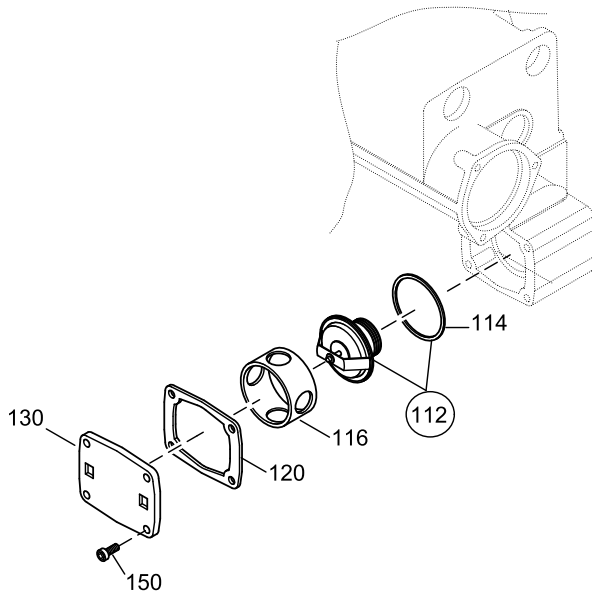
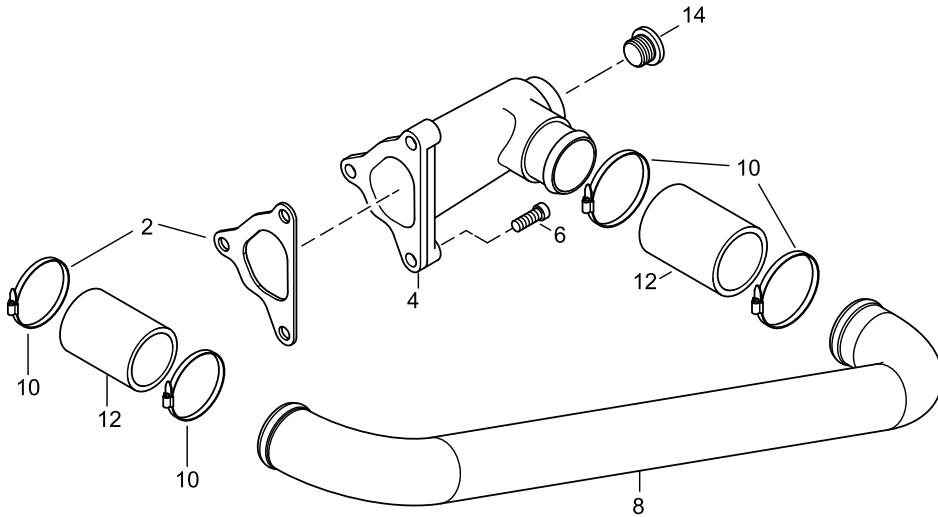


TA 0503

**286 MARINE**  
H43 HIGH POWER  
+ **SOLAS**

**WATERPIPE, THERMOSTAT**

05036184-2





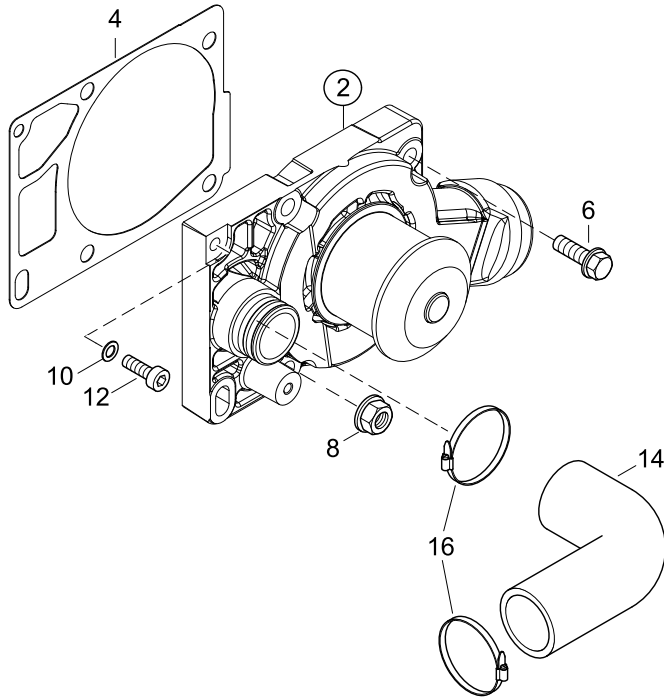


TA 0504

**286 MARINE**  
H43 HIGH POWER  
+ **SOLAS**

**WATERPUMP**

05046184-1







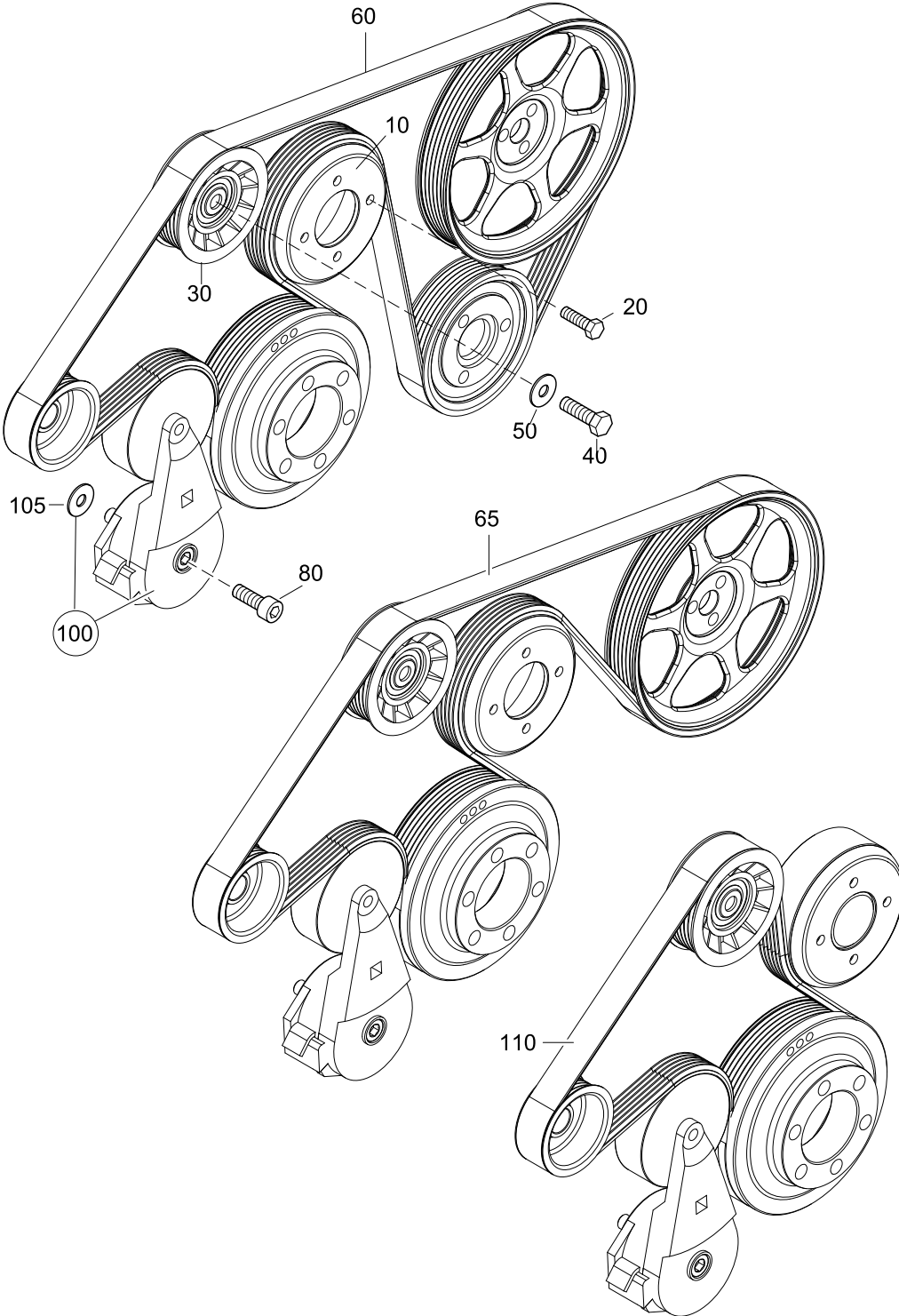
TA 0505



**286 MARINE**  
H43 HIGH POWER  
+ **SOLAS**

**DRIVE BELTS, PULLEYS, TENSIONER**

05056184-0





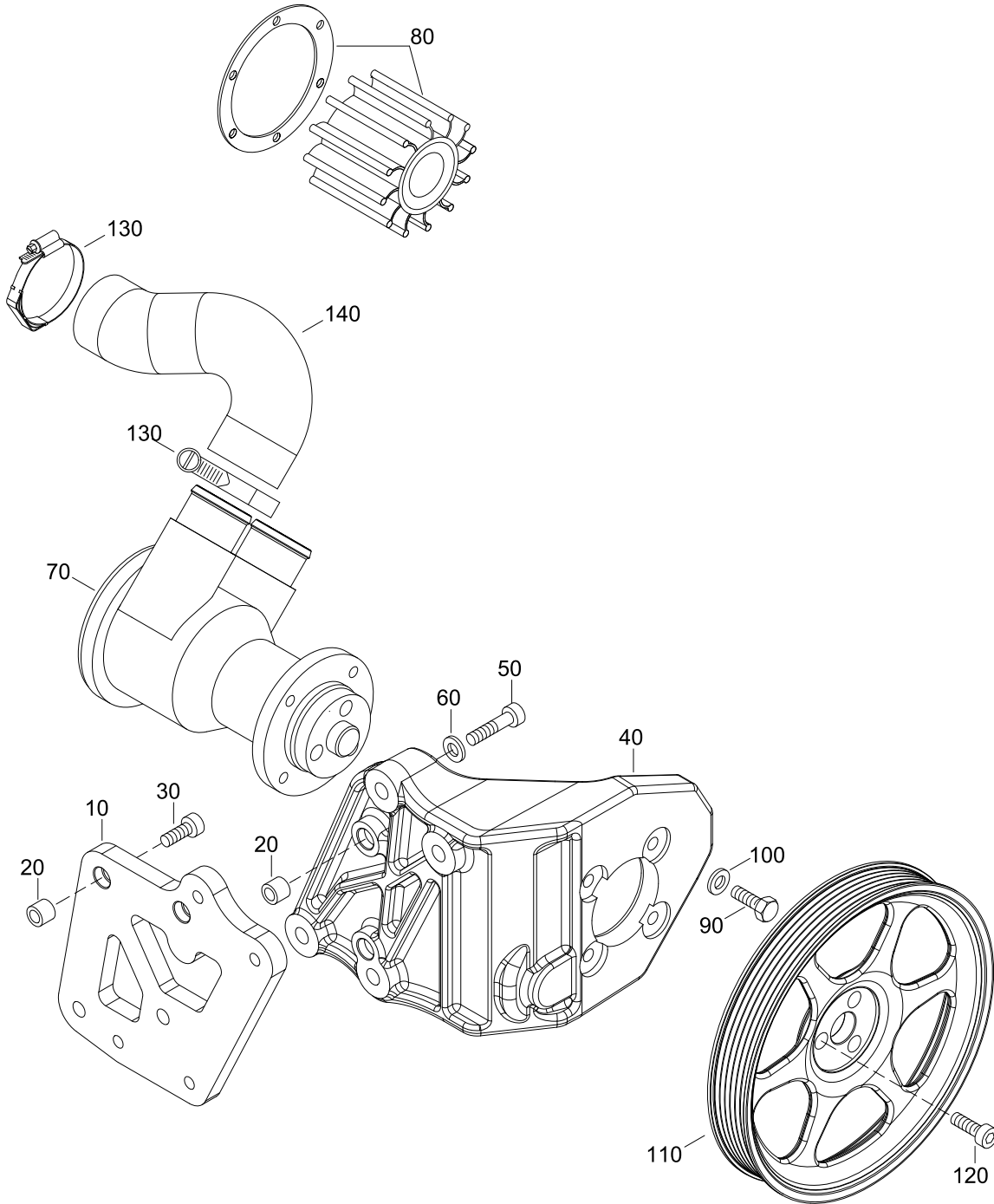


TA 0510

**286 MARINE**  
H43 HIGH POWER  
+ **SOLAS**

**RAW WATER PUMP**

05106184-2







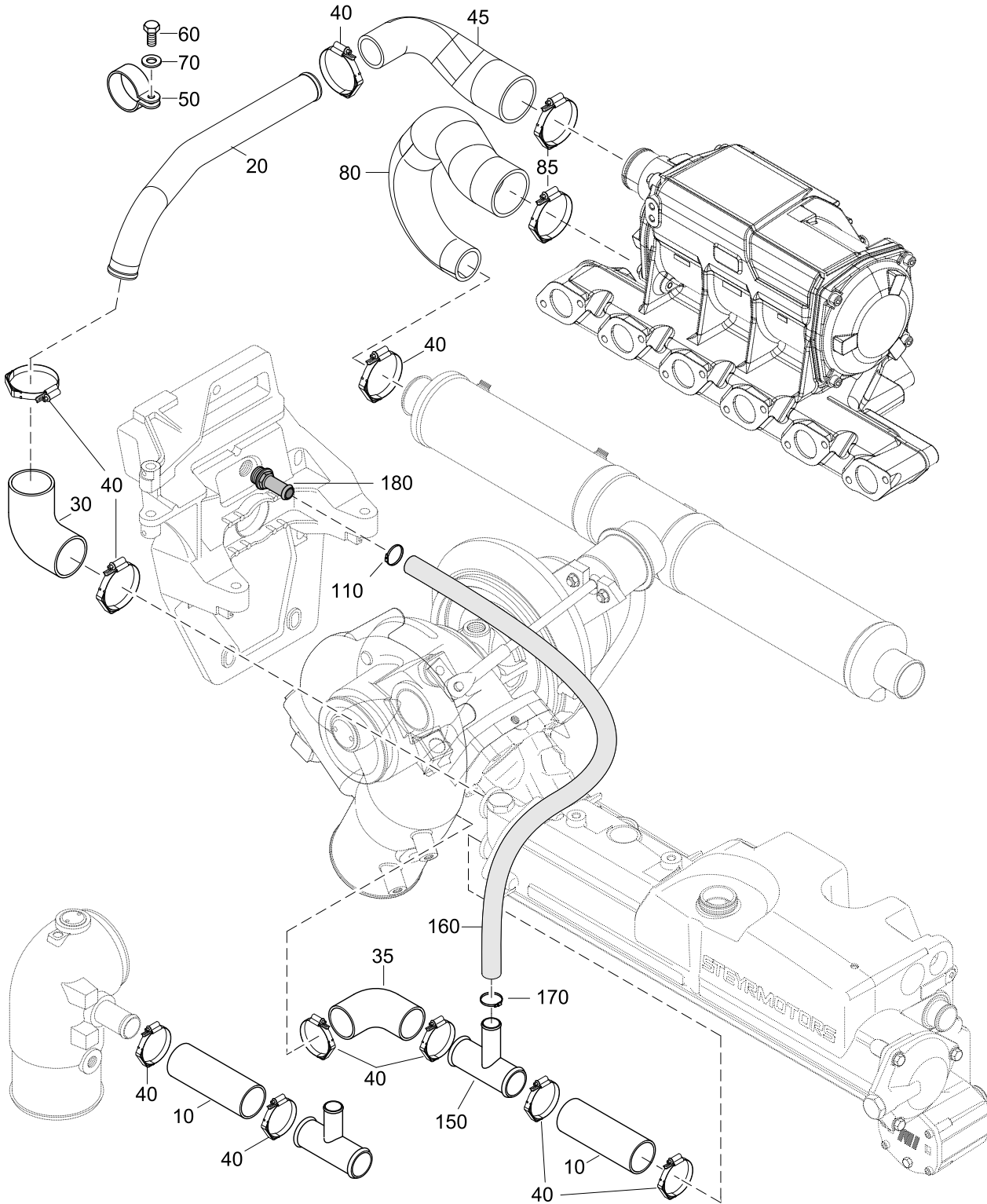
TA 0512



**286 MARINE**  
H43 HIGH POWER  
+ **SOLAS**

**RAW WATER PIPES**

05126184-3





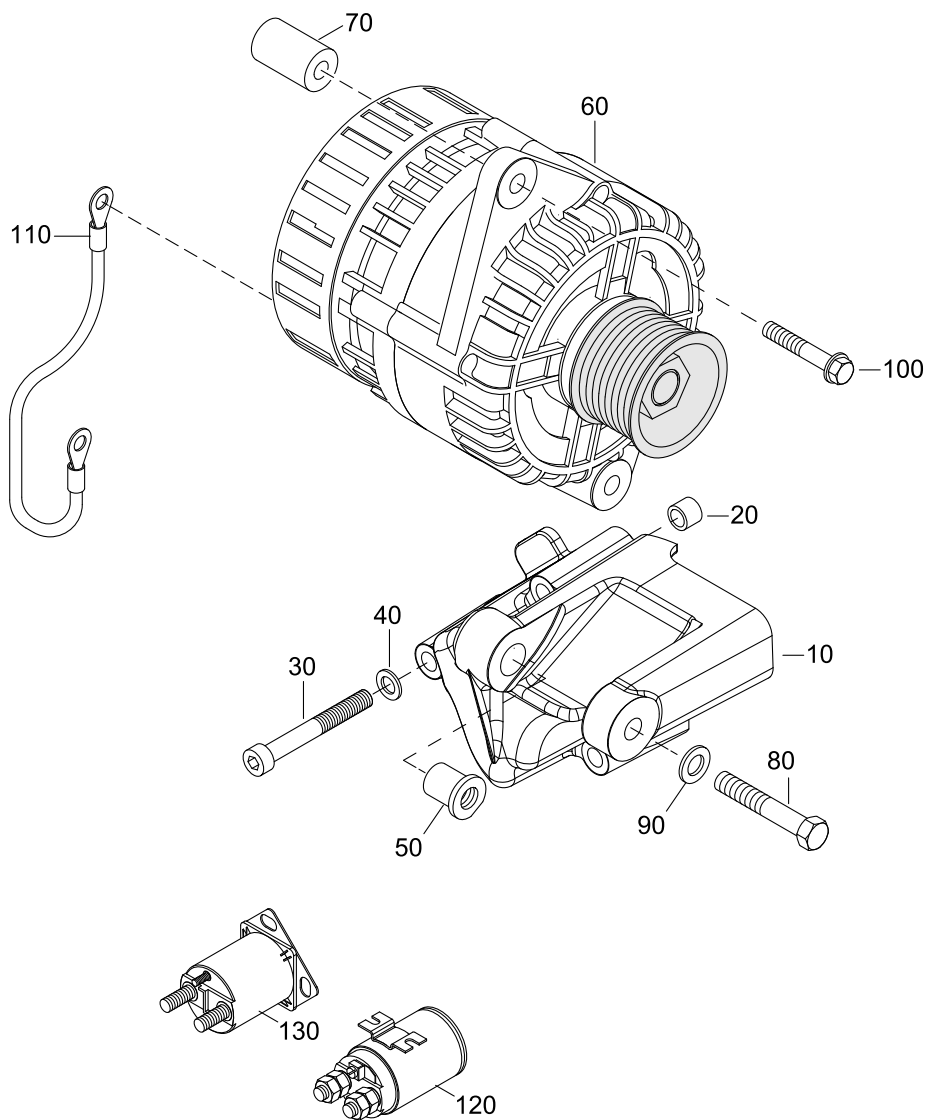


TA 0601

**286 MARINE**  
H43 HIGH POWER  
+ **SOLAS**

ALTERNATOR 14V / 90A

06016184-6





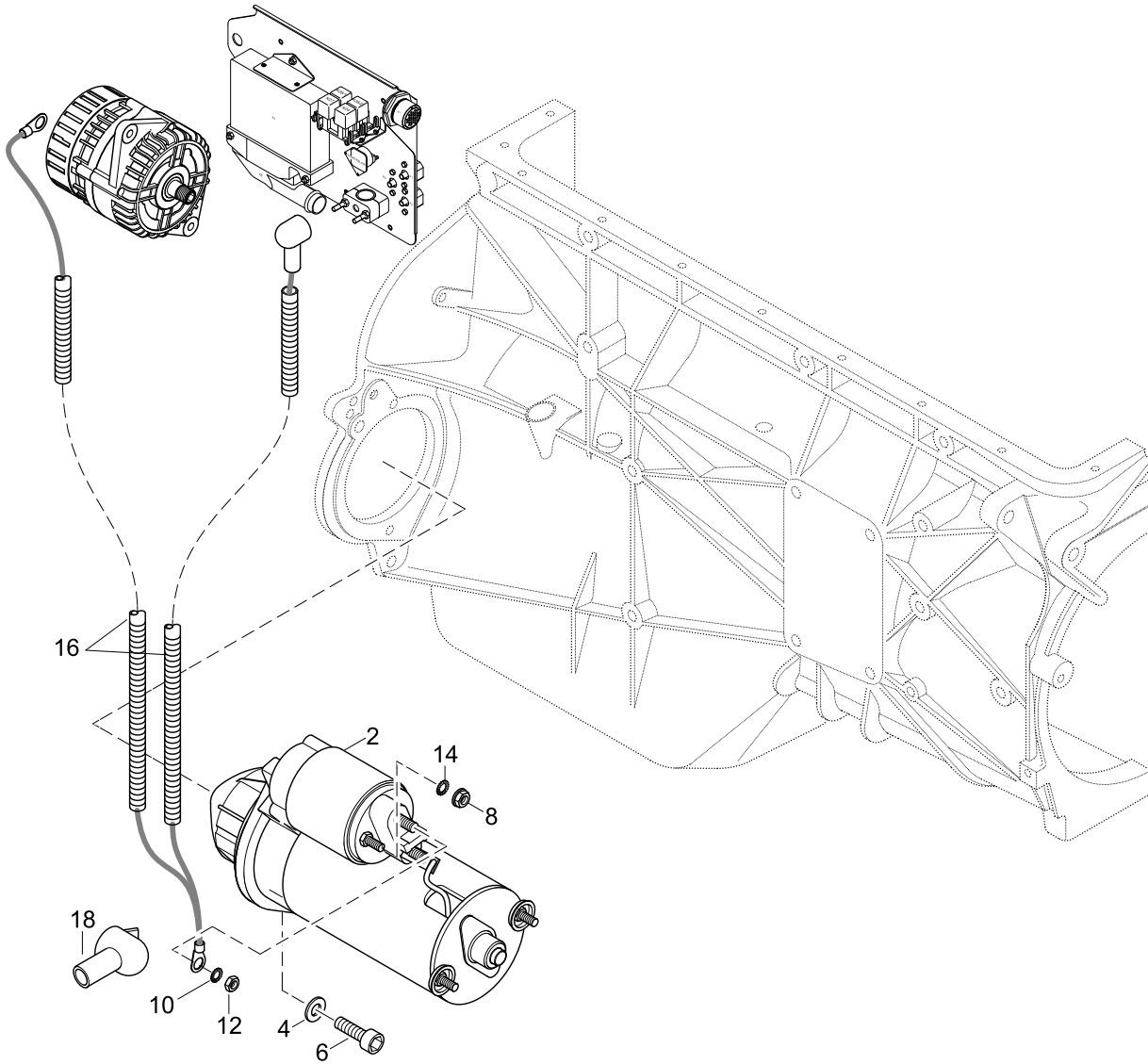


TA 0603

**286 MARINE**  
H43 HIGH POWER  
+ **SOLAS**

STARTING MOTOR

06036084-3







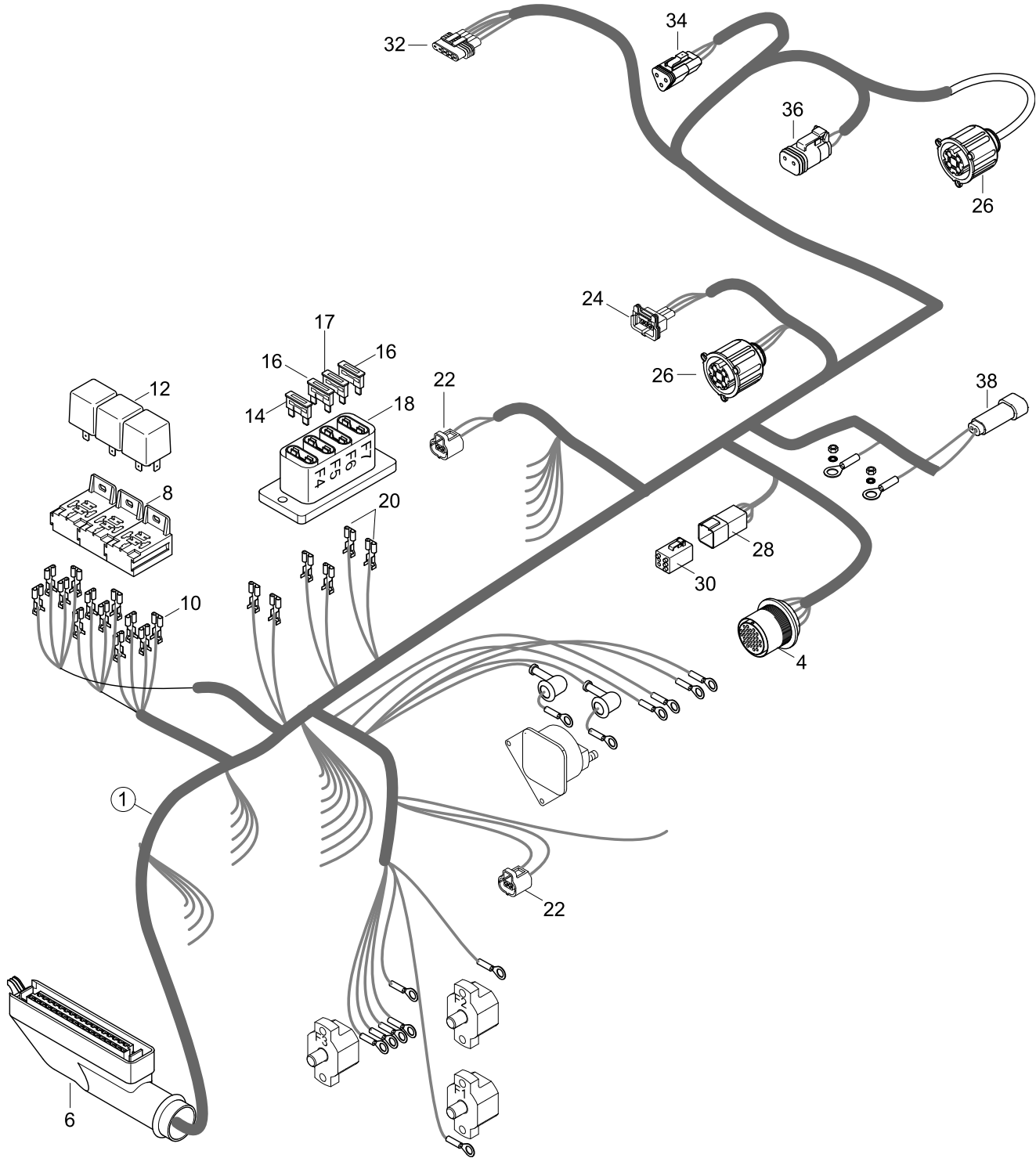
TA 0605



**286 MARINE**  
H43 HIGH POWER  
+ **SOLAS**

**ENGINE HARNESS**

06056184-3





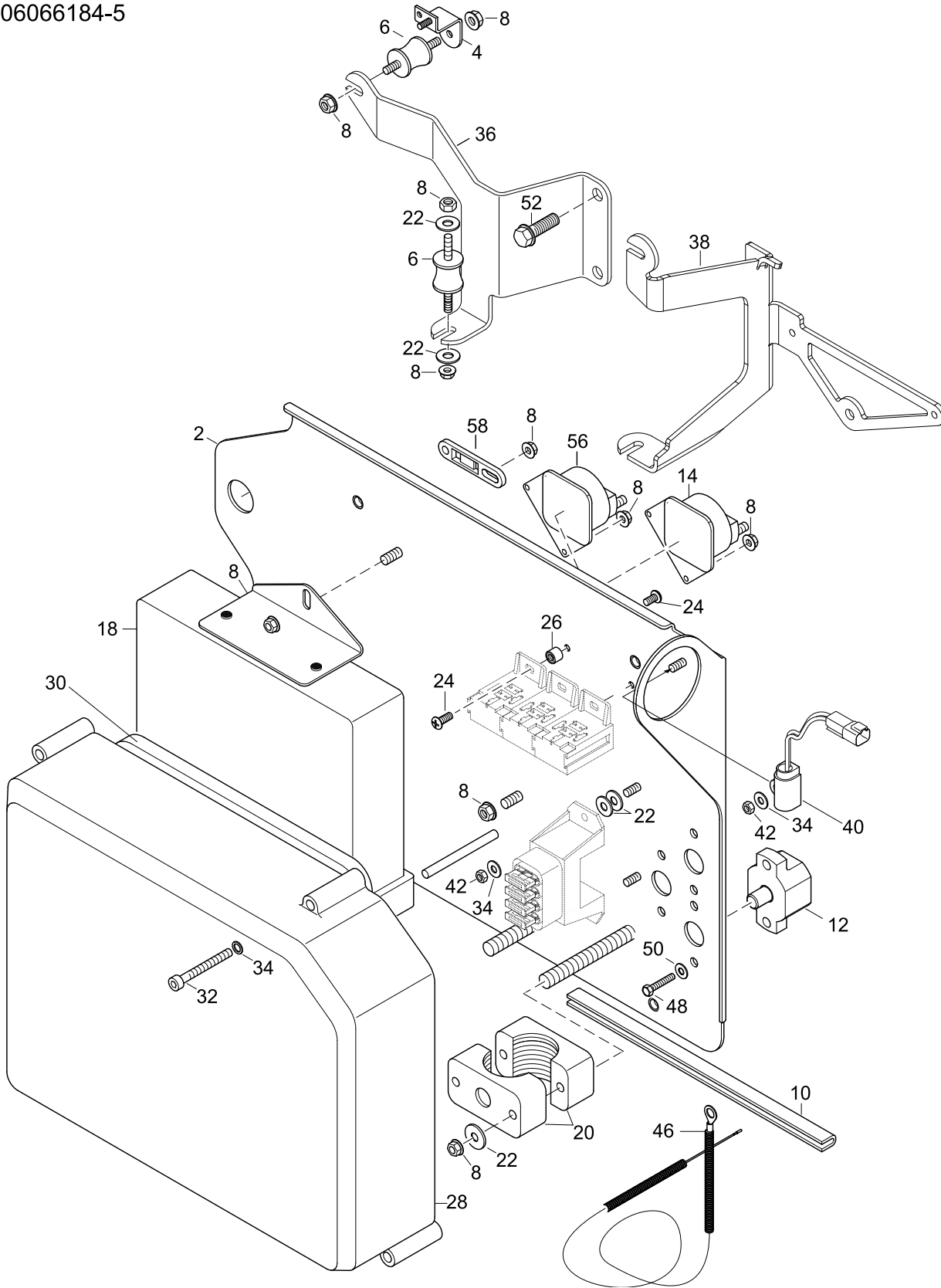


TA 0606

**286 MARINE**  
H43 HIGH POWER  
+ SOLAS

**SECURETSYSTEM, FUSES, ECU, E-BOX**

06066184-5





**SECURETYSYSTEM, FUSES, ECU, E-BOX**



06066184-5

Pos.	Part.-No.	Qty	Designation	Step
2	2203723-1	1	BASE PLATE	.2
4	2203723-B	2	BRACKET BASEPLATE	.2
6	2203744-0	4	RUBBER MOUNT	.2
8	3880049-0	14	HEX.FLANGE NUT DIN 6923-M6-A2-70	.2
10	2173329-0	0.2	EDGE PROTECTOR	.2
12	O913774-0	3	AUTOMATIC CIRCUIT BREAKER 50A	.2
14	9000187-0	1	SOLENOID STARTER	.2
18	2176846-5	1	ENGINE CONTROL UNIT 286	.2
20	2203753-0	2	CLAMP, FASTEN ENGINE-HARNESS	.2
22	9000012-0	10	WASHER LARGE SERIES DIN 9021-6.4-140HV-A2	.2
24	9000215-1	4	CROSS RECESS PAN HD.SCR. ISO 7045-M5x6-A2-50-H	.2
26	2179004-0	2	SILENT BLOCK M5	.2
28	2203720-0	1	COVERING, ENGINE ELECTRIC	.2
30	2171410-1	1	SEAL, COVERING ENGINE ELECTRIC	.2
32	9000003-0	5	HEX.SOCK. HD.CAP SCR. DIN 912-M5x55-A2-70	.2
34	3930069-0	8	WASHER ISO 7089-5-200HV-A2	.2
36	2178951-1	1	E-BOX BOW	.2
38	2180174-0	1	E-BOX BOW	.2
40	2178971-G	1	INVERSION-SWITCH ASSY	.2
42	3870050-0	3	HEX.NUT DIN 934-M5-A2-70	.2
46	2178975-0	1	CABLE INVERSION-SWITCH SOLAS	.2
48	9000424-0	6	HEX.HD.SCR. ISO 4017-8/32UNCx20-A2-70	.2
50	3930072-0	6	WASHER LARGE SERIES DIN 9021-4.3-A2	.2
52	9000305-0	4	HEX.FLANGE BOLT EN 1665-M8x20-10.9-DAC	.2
56	2206161-0	1	POWER SOLENOID 12V	.2
58	2178870-0	1	FIXTURE, CABLE TIE	.2





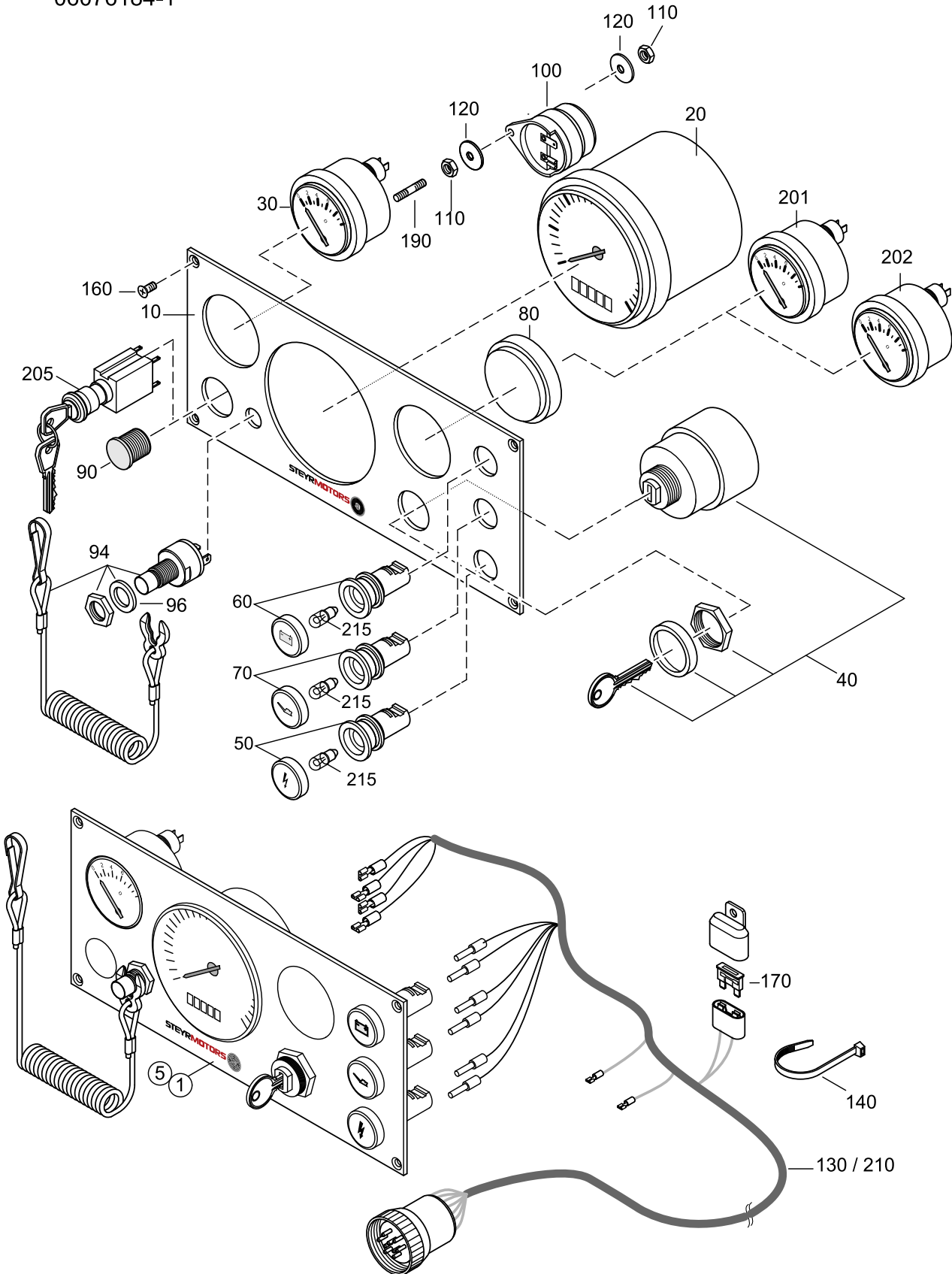
TA 0607



**286 MARINE**  
H43 HIGH POWER  
+ **SOLAS**

**INSTRUMENTPANEL (STANDARD)**  
TILL -->2010

06076184-1





**INSTRUMENTPANEL (STANDARD)  
TILL -->2010**

**286 MARINE**  
H43 HIGH POWER  
**+ SOLAS**

06076184-1

Pos.	Part.-No.	Qty	Designation	Step
1	Z021006-0	1	PANEL ASSY. (FROM 2004 —>2010)	.2
5	Z002635-0	1	PANEL ASSY. (TILL —>2004)	.2
10	2178831-3	1	INSTRUMENT PANEL	.3
20	2178756-3	1	REVOLU. & OPERA. HOUR COUNTER	.3
30	2178229-2	1	COOLANT TEMPERATURE GAUGE	.3
40	2178761-4	1	GLOW-START SWITCH ASSY. (SPARE)	.3
50	2179290-0	1	WARNING-LIGHT CHECK ENGI. ASSY	.3
60	2179291-0	1	WARNING-LIGHT BATTERY CHARGE ASSY. 12V	.3
70	2179292-0	1	WARNING-LIGHT ENGINE-OIL ASSY.	.3
80	2178759-2	1	BLIND COVER	.3
90	2179320-0	1	BLIND PLUG, BLACK	.3
94	Z002073-0	1	EMERGENCY CUTOFF SWITCH KIT	.3
96	2176170-0	1	O-RING 15x2	.3
100	2178760-1	1	HORN AUDIBLE WARNING	.3
110	3870051-0	2	HEX.NUT ISO 4032-M4-A2-70	.3
120	3930072-0	2	WASHER LARGE SERIES DIN 9021-4.3-A2	.3
130	Z002669-0	1	CABLE ASSY. INSTRUMENT 7m (CONDUCTOR SLEEVE)	.3
140	3171034-0	1	TIE STRAP N 05199-A4,5x160	.3
160	9000192-0	4	CR.REC.COUNT.SUNK HD.TPG.SCR. ISO 7050-ST3.5x16	.3
170	11345	1	FUSE 10A, RED	.3
190	2206167-1	1	STUD	.3
201	2178227-2	1	OIL PRESSURE GAUGE 10 BAR (ACCESSORY)	.2
202	2178231-1	1	VOLTMETER 12V (ACCESSORY)	.2
205	2178761-2	1	KEY-SWITCH CONSTANT REVOLUTION (ACCESSORY)	.2
210	Z002670-0	1	CABLE ASSY. INSTRUMENT 1.5m (CONDUCTOR SLEEVE)	.2





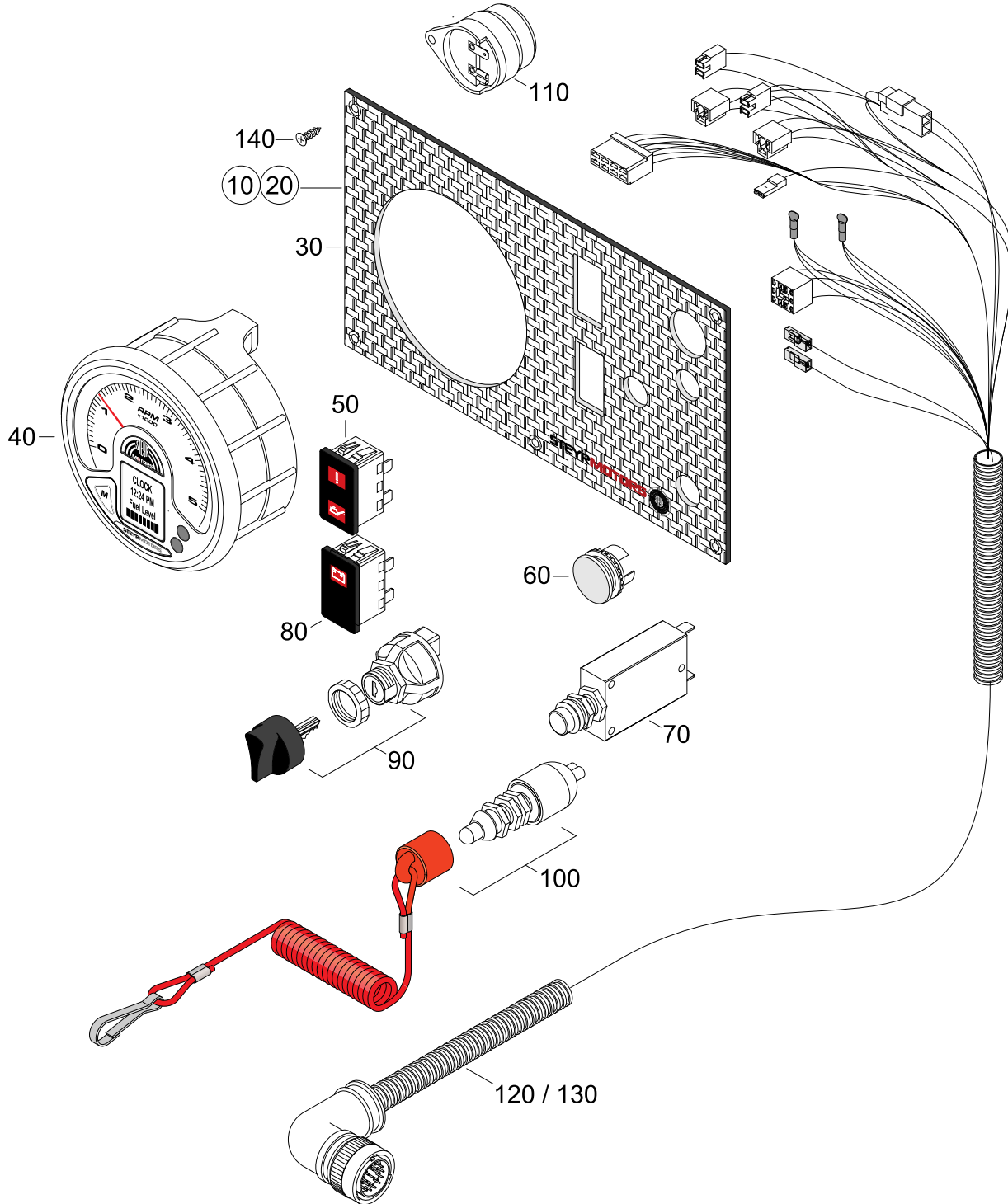
TA 0607



**286 MARINE**  
H43 HIGH POWER  
+ SOLAS

**INSTRUMENTPANEL (STANDARD)**  
FROM 2010-->

06072184-1







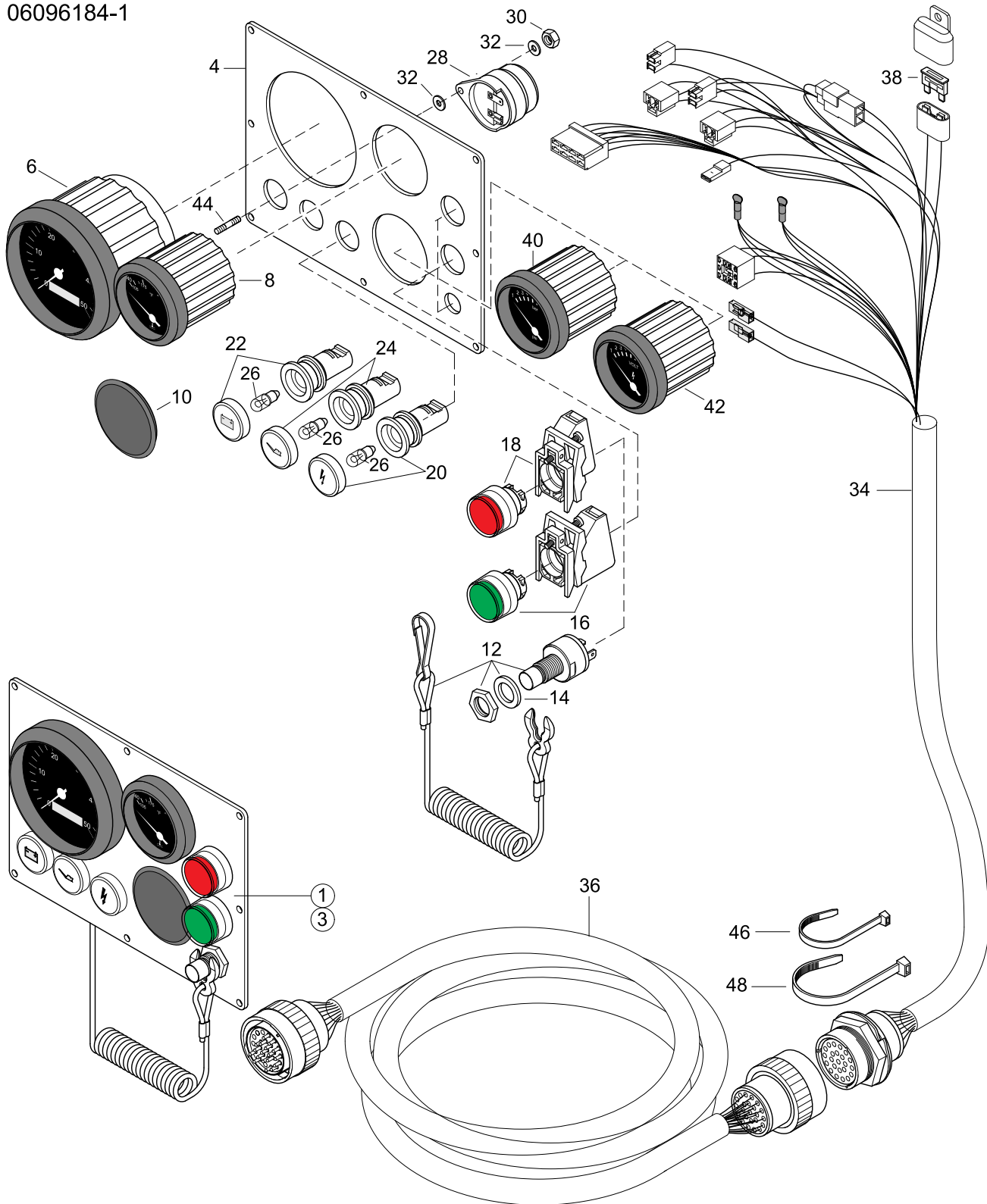
TA 0609



**286 MARINE**  
H43 HIGH POWER  
**+ SOLAS**

**INSTRUMENTPANEL SOLAS (STANDARD)**  
TILL -->2010

06096184-1





**INSTRUMENTPANEL SOLAS (STANDARD)  
TILL -->2010**



06096184-1

Pos.	Part.-No.	Qty	Designation	Step
1	Z021007-0	1	PANEL ASSY. SOLAS (FROM 2004—>2010)	.2
3	Z002122-0	1	PANEL ASSY. SOLAS (TILL —>2004)	.2
4	2178831-4	1	INSTRUMENT PANEL SOLAS	.3
6	2178756-3	1	REVOLU. & OPERA. HOUR COUNTER	.3
8	2178229-2	1	COOLANT TEMPERATURE GAUGE	.3
10	2178759-2	1	BLIND COVER	.3
12	Z002073-0	1	EMERGENCY CUTOFF SWITCH KIT	.3
14	2176170-0	1	O-RING 15x2	.3
16	2179294-0	1	SWITCH ASSY. START GREEN	.3
18	2179293-5	1	IGNITION SWITCH RED ASSY.	.3
20	2179290-0	1	WARNING-LIGHT CHECK ENGI. ASSY	.3
22	2179291-0	1	WARNING-LIGHT BATTERY CHARGE ASSY. 12V	.3
24	2179292-0	1	WARNING-LIGHT ENGINE-OIL ASSY.	.3
26	2179162-0	3	MINIATUR LAMP 12V/2W 10x28	.3
28	2178760-1	1	HORN AUDIBLE WARNING	.3
30	3870051-0	2	HEX.NUT ISO 4032-M4-A2-70	.3
32	3930072-0	2	WASHER LARGE SERIES DIN 9021-4.3-A2	.3
34	Z002671-0	1	CABLE ASSY. INSTR. 1.5m SOLAS	.3
36	2206291-1	1	INTERMEDIATE CABLE 5m	.3
38	11345	1	FUSE 10A, RED	.3
40	2178227-2	1	OIL PRESSURE GAUGE 10 BAR (ACCESSORY)	.2
42	2178231-1	1	VOLTMETER 12V (ACCESSORY)	.2
44	2206167-1	1	STUD	.2
46	3171034-0	1	TIE STRAP N 05199-A4,5x160	.2





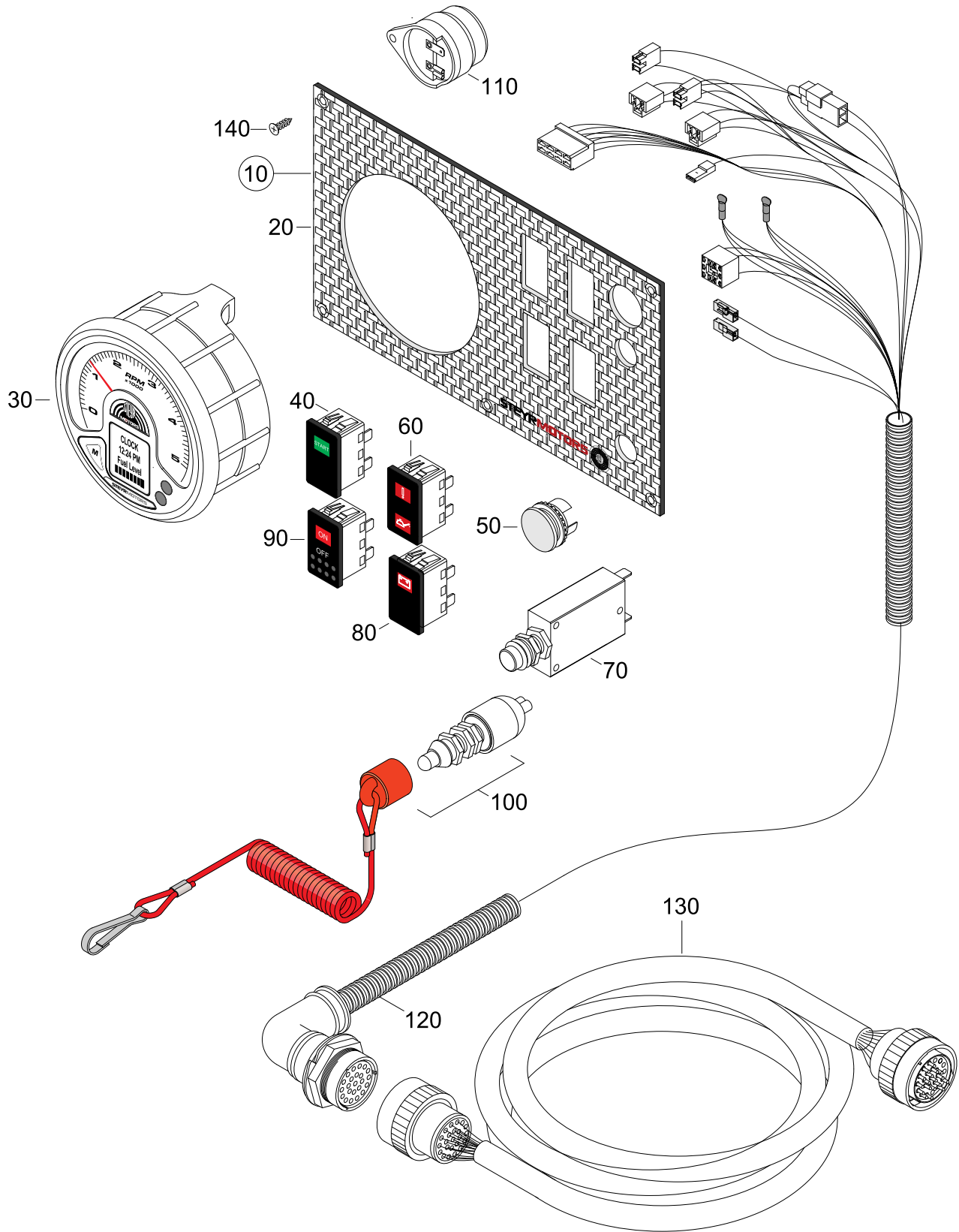
TA 0609



**286 MARINE**  
H43 HIGH POWER  
**+ SOLAS**

**INSTRUMENTPANEL SOLAS (STANDARD)  
FROM 2010-->**

06092184-1







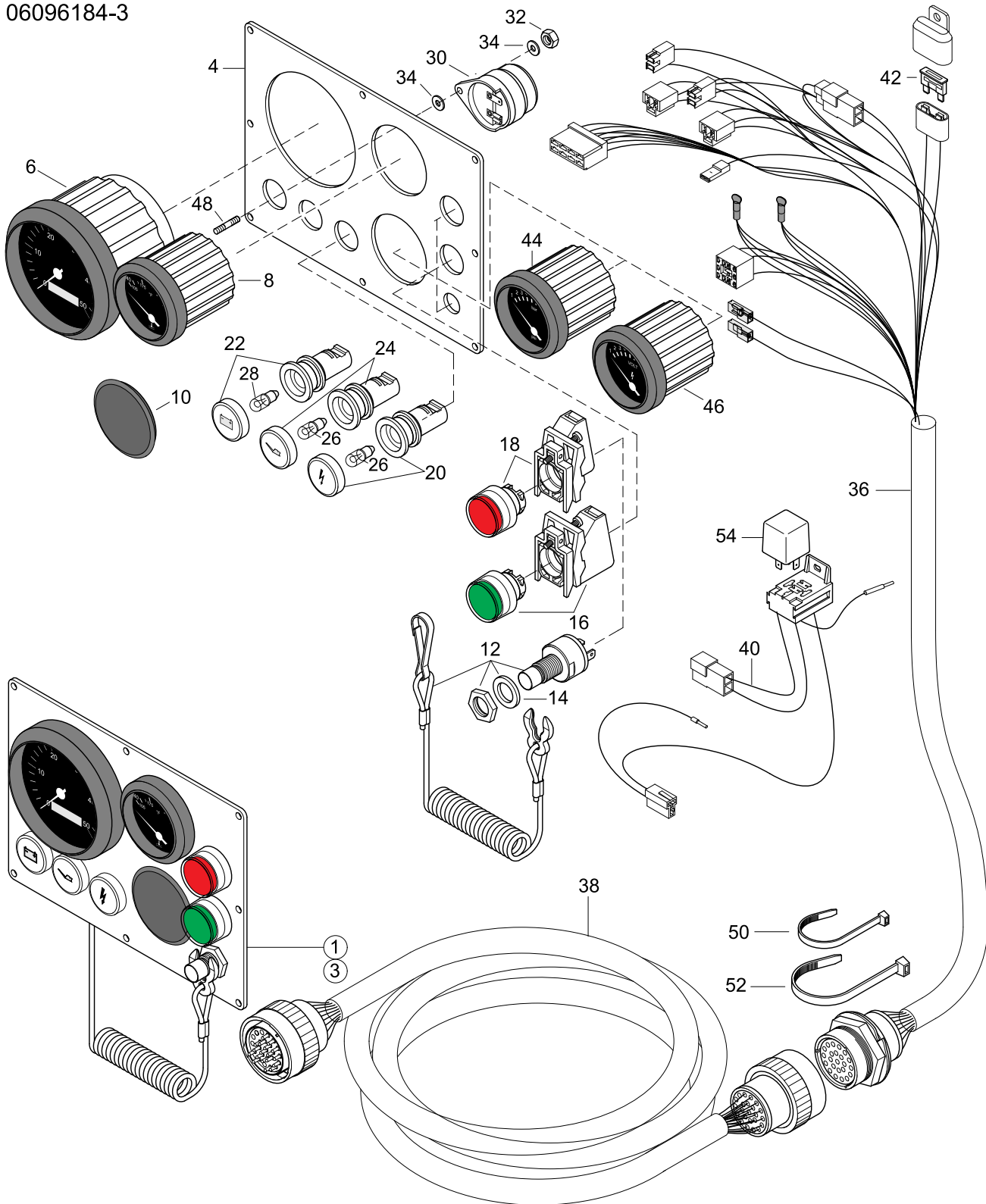
TA 0609



**286 MARINE**  
H43 HIGH POWER  
**+ SOLAS**

**INSTRUMENTPANEL SOLAS 24V**  
TILL -->2010

06096184-3





**INSTRUMENTPANEL SOLAS 24V  
TILL -->2010**



06096184-3

Pos.	Part.-No.	Qty	Designation	Step
1	Z021008-0	1	INSTR. PANEL ASSY. SOLAS 24V (FROM 2004—>2010)	.2
3	Z002631-0	1	INSTR. PANEL ASSY. SOLAS 24V (TILL —>2004)	.2
4	2178831-4	1	INSTRUMENT PANEL SOLAS	..3
6	2178756-3	1	REVOLU. & OPERA. HOUR COUNTER	..3
8	2178229-2	1	COOLANT TEMPERATURE GAUGE	..3
10	2178759-2	1	BLIND COVER	..3
12	Z002073-0	1	EMERGENCY CUTOFF SWITCH KIT	..3
14	2176170-0	1	O-RING 15x2	..3
16	2179294-0	1	SWITCH ASSY. START GREEN	..3
18	2179293-5	1	IGNITION SWITCH RED ASSY.	..3
20	2179290-0	1	WARNING-LIGHT CHECK ENGI. ASSY	..3
22	Z002115-0	1	WARNING-LIGHT BATTERY CHARGE ASSY. 12V & 24V	..3
24	2179292-0	1	WARNING-LIGHT ENGINE-OIL ASSY.	..3
26	2179162-0	3	MINIATUR LAMP 12V/2W 10x28	..3
28	2179141-0	1	MINIATUR LAMP 24V/3W 10x28	..3
30	2178760-1	1	HORN AUDIBLE WARNING	..3
32	3870051-0	2	HEX.NUT ISO 4032-M4-A2-70	..3
34	3930072-0	2	WASHER LARGE SERIES DIN 9021-4.3-A2	..3
36	Z002671-0	1	CABLE ASSY. INSTR. 1.5m SOLAS	..3
38	2206291-1	1	INTERMEDIATE CABLE 5m	..3
40	2179151-0	1	INTERMEDIATE CABLE CHARGE INDICATOR 24V	..3
42	11345	1	FUSE 10A, RED	..3
44	2178227-2	1	OIL PRESSURE GAUGE 10 BAR (ACCESSORY)	.2
46	2178231-1	1	VOLTMETER 12V (ACCESSORY)	.2
48	2206167-1	1	STUD	.2
50	3171034-0	1	TIE STRAP N 05199-A4,5x160	.2
52	3171392-0	1	TIE STRAP N 05199-B7,8x368	.2



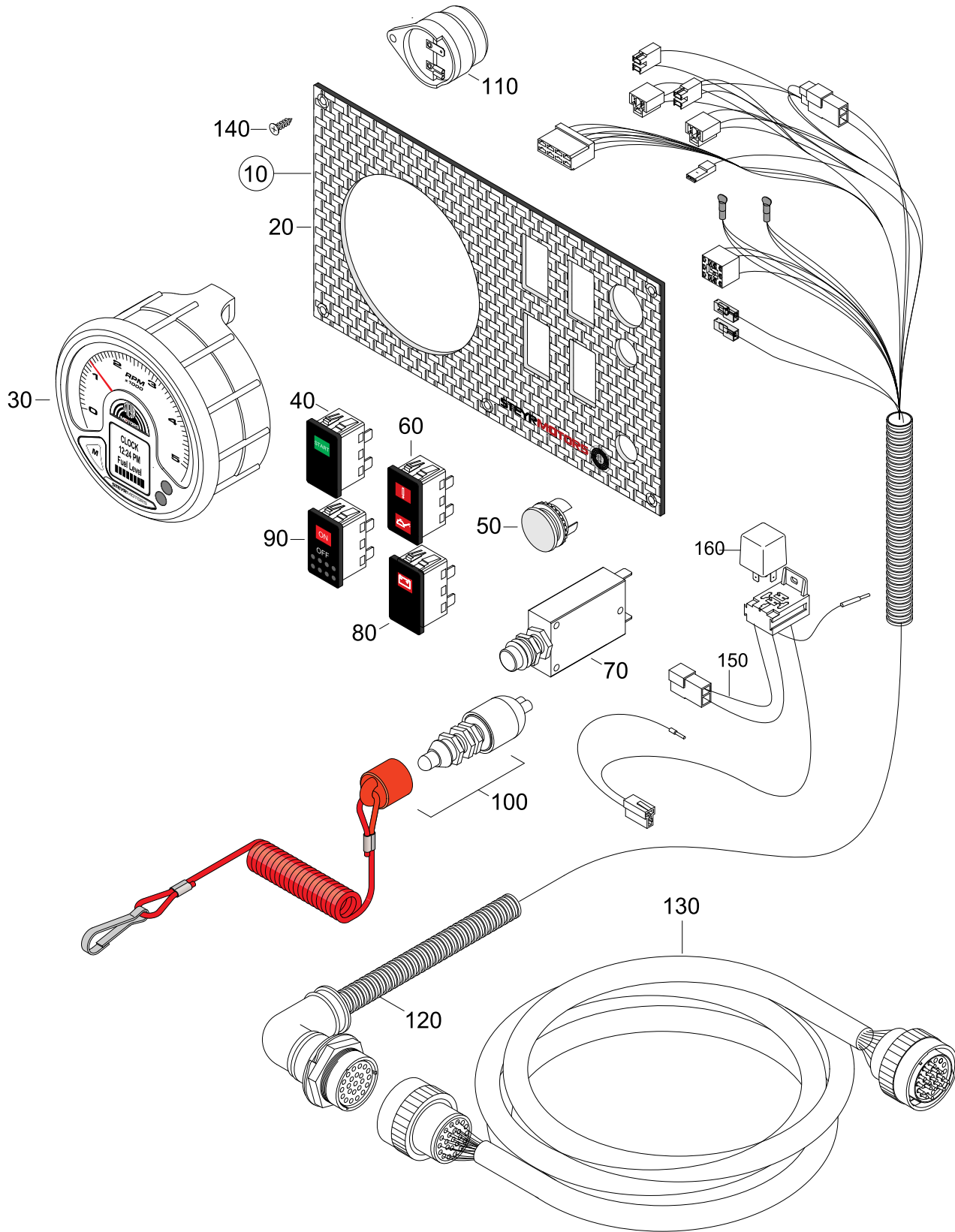


TA 0609



<p><b>286 MARINE</b> H43 HIGH POWER + <b>SOLAS</b></p>	<p><b>INSTRUMENTPANEL SOLAS 24V</b> FROM 2010--&gt;</p>
--	---

06092184-2







TA 0610

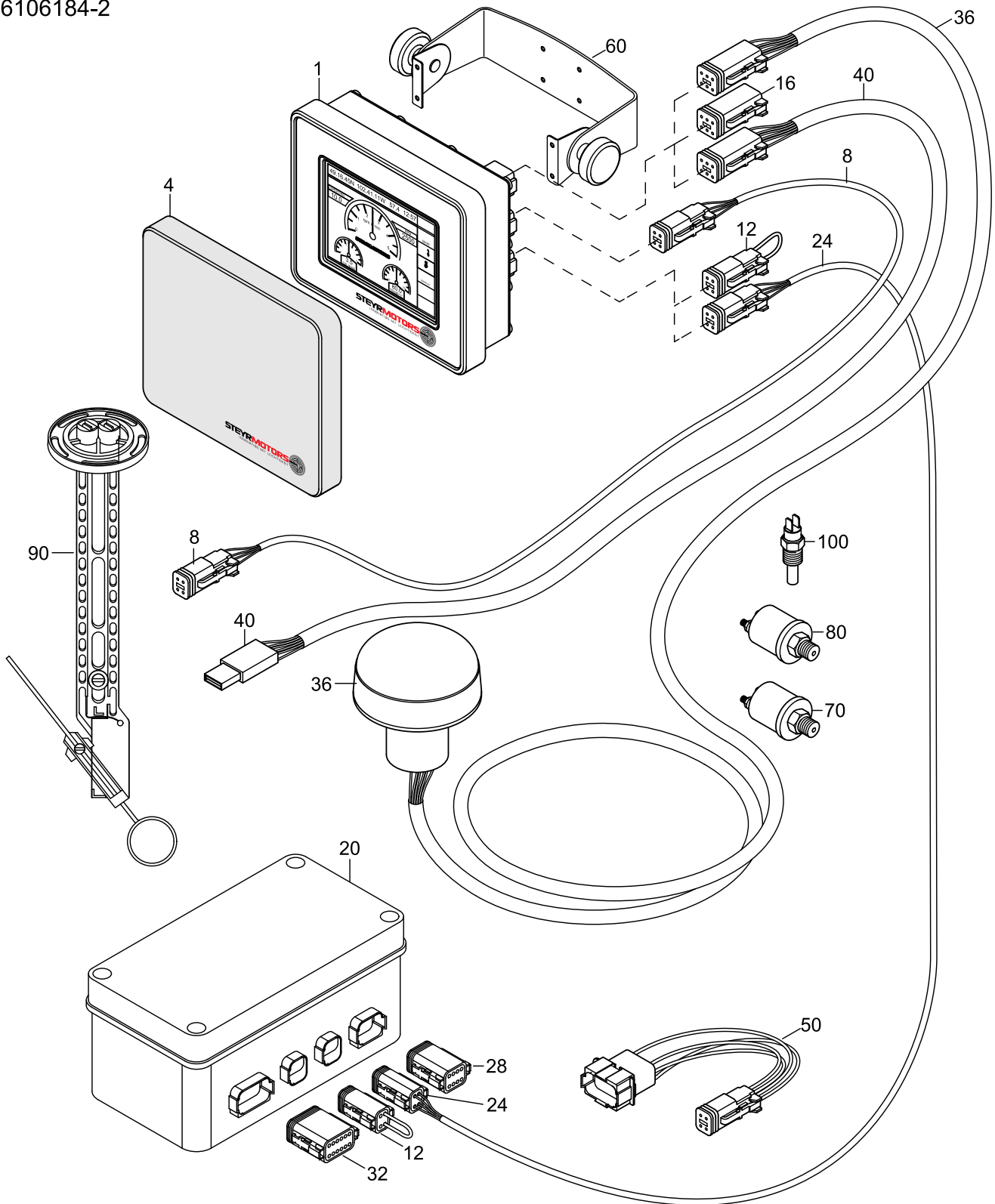
**STEYRMOTORS**  
INNOVATION WITH LIGHTNESS



**286 MARINE**  
H43 HIGH POWER  
+ **SOLAS**

**SCC-DISPLAY**  
(ACCESSORY)

06106184-2





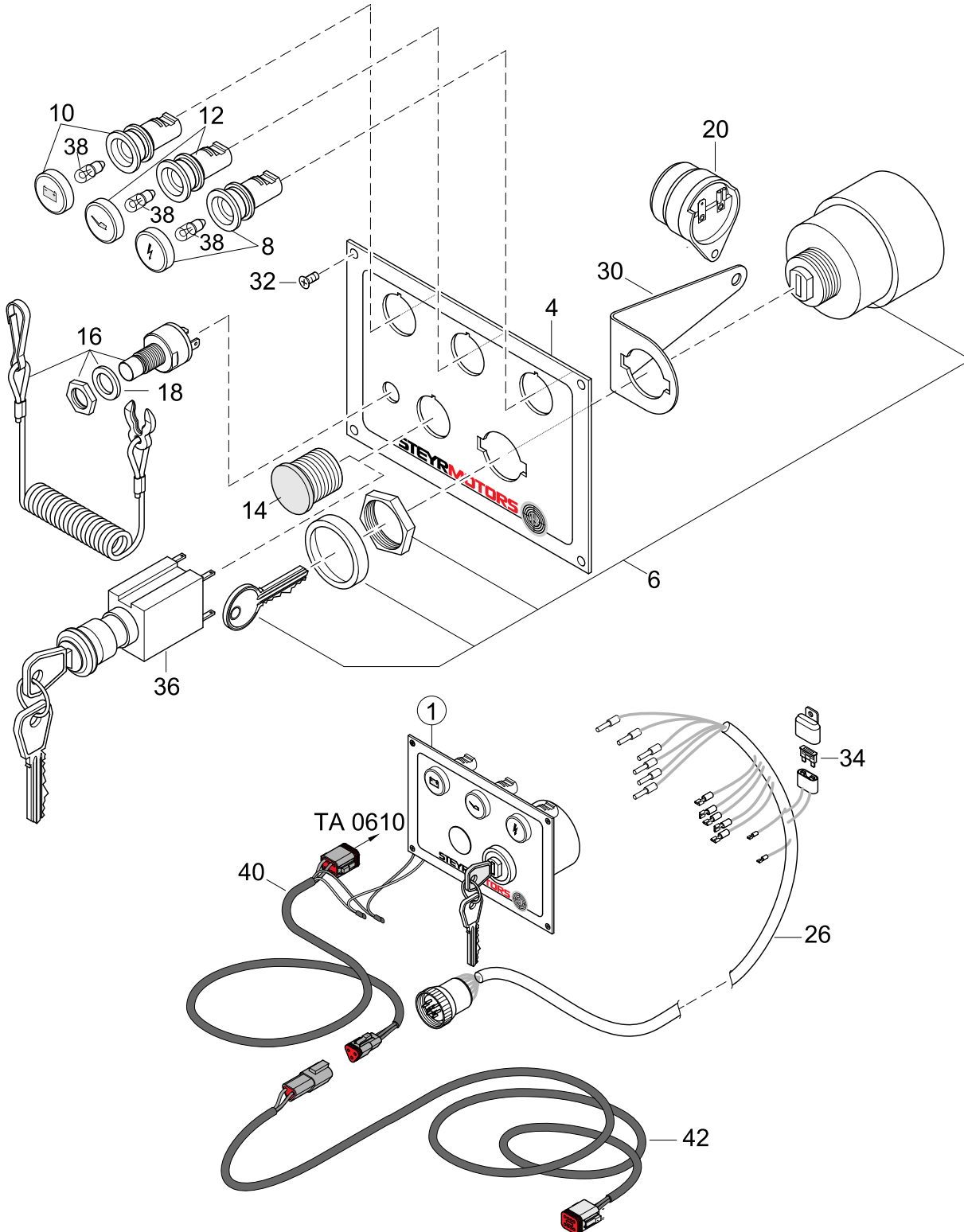


TA 0611

**286 MARINE**  
H43 HIGH POWER  
+ SOLAS

SWITCH PANEL FOR DISPLAY  
TILL -->2010

06116184-2







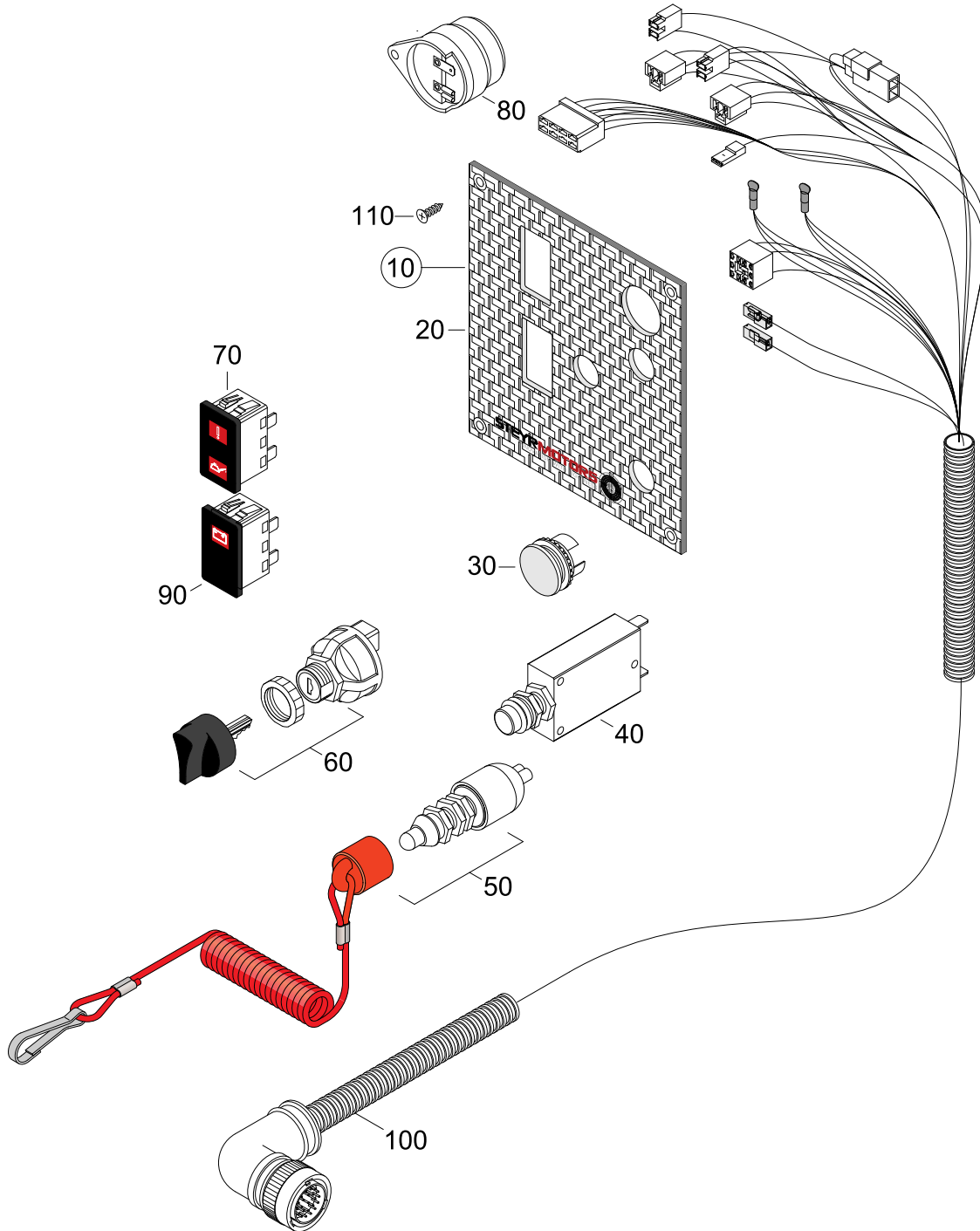
TA 0611



**286 MARINE**  
H43 HIGH POWER  
**+ SOLAS**

**SWITCH PANEL FOR DISPLAY  
FROM 2010-->**

06112184-1





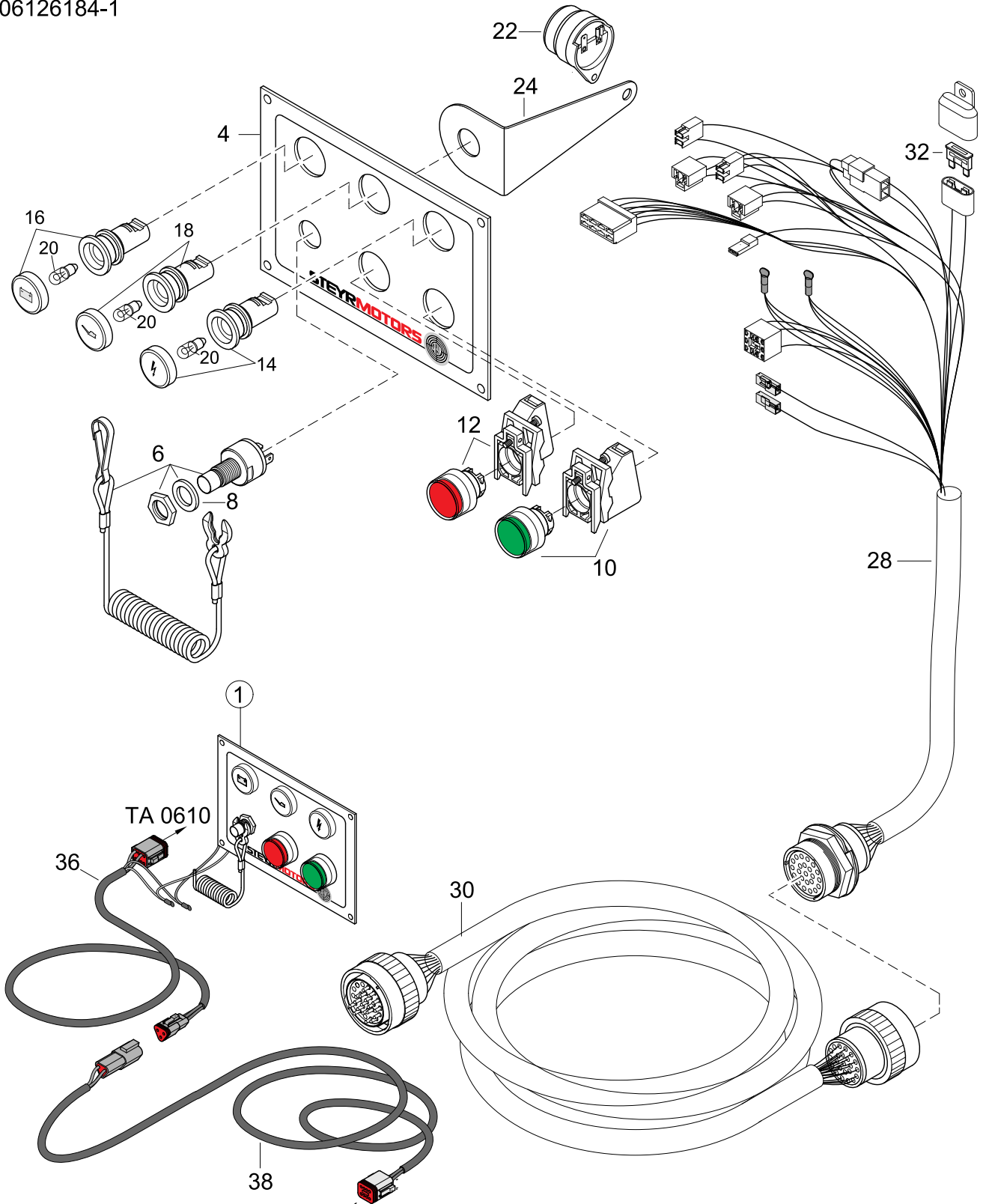


TA 0612

**286 MARINE**  
H43 HIGH POWER  
**+ SOLAS**

**PUSH BUTTON PANEL SOLAS FOR DISPLAY**  
TILL -->2010

06126184-1







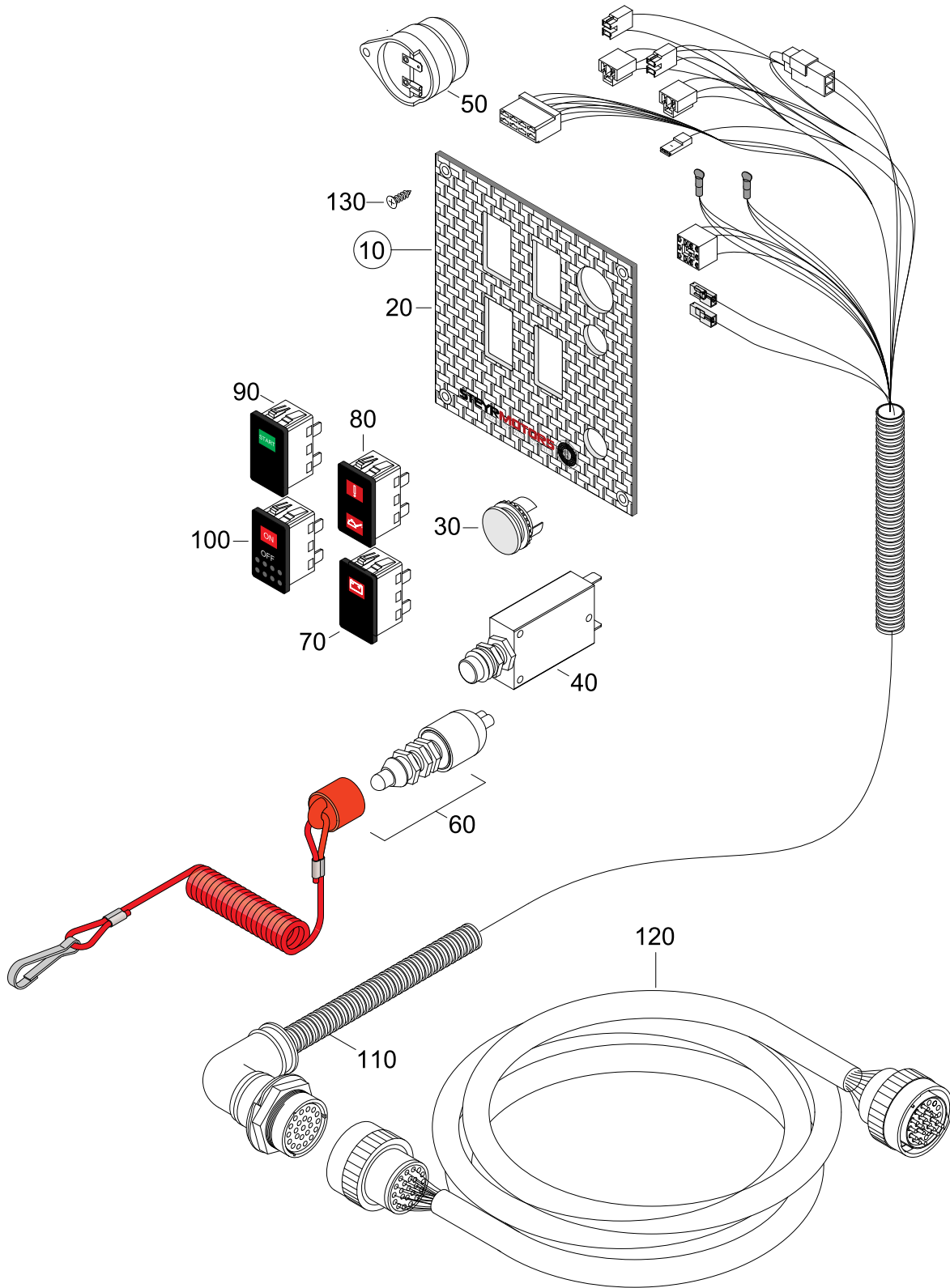
TA 0612



**286 MARINE**  
H43 HIGH POWER  
**+ SOLAS**

**PUSH BUTTON PANEL SOLAS FOR DISPLAY  
FROM 2010-->**

06122184-1







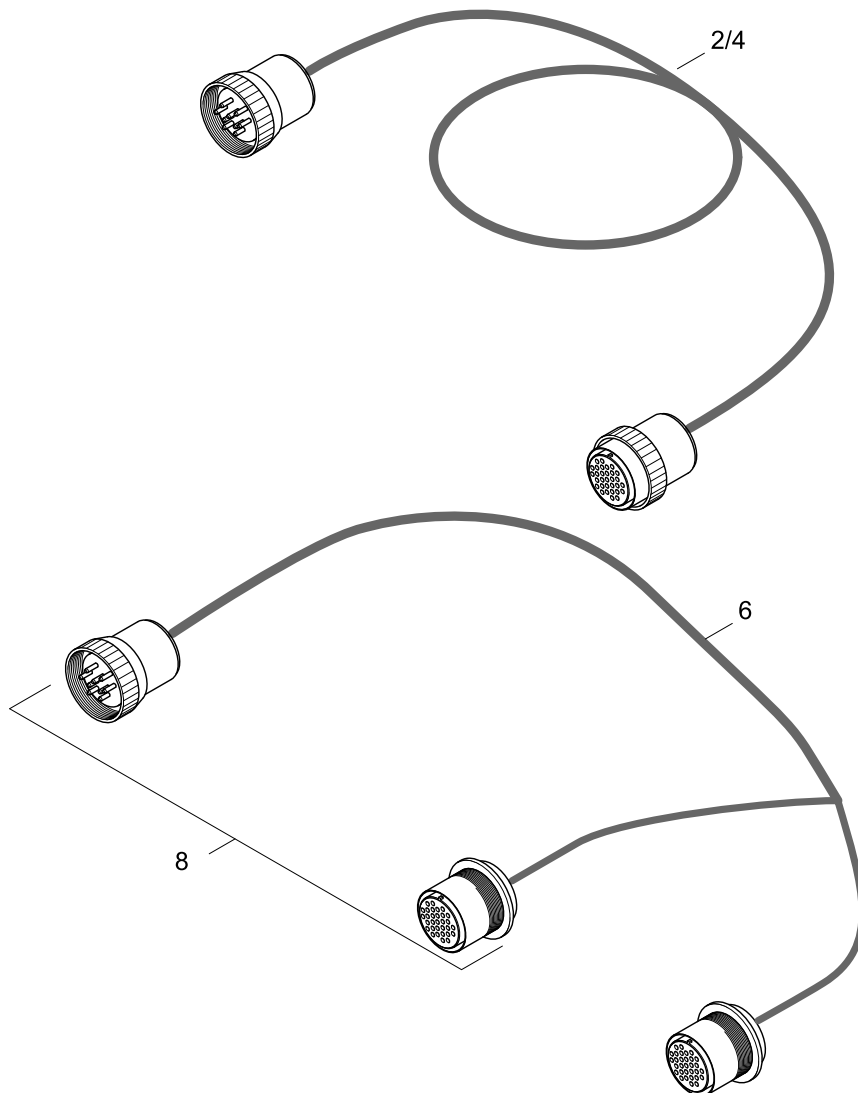
TA 0613

**286 MARINE**  
H43 HIGH POWER  
+ **SOLAS**

**EXTENSION CABLE INSTRUMENTS  
(ACCESSORY)**

06136184-0

**NOTE: NOT COMPATIBLE WITH "SOLAS" INSTRUMENT PANEL**







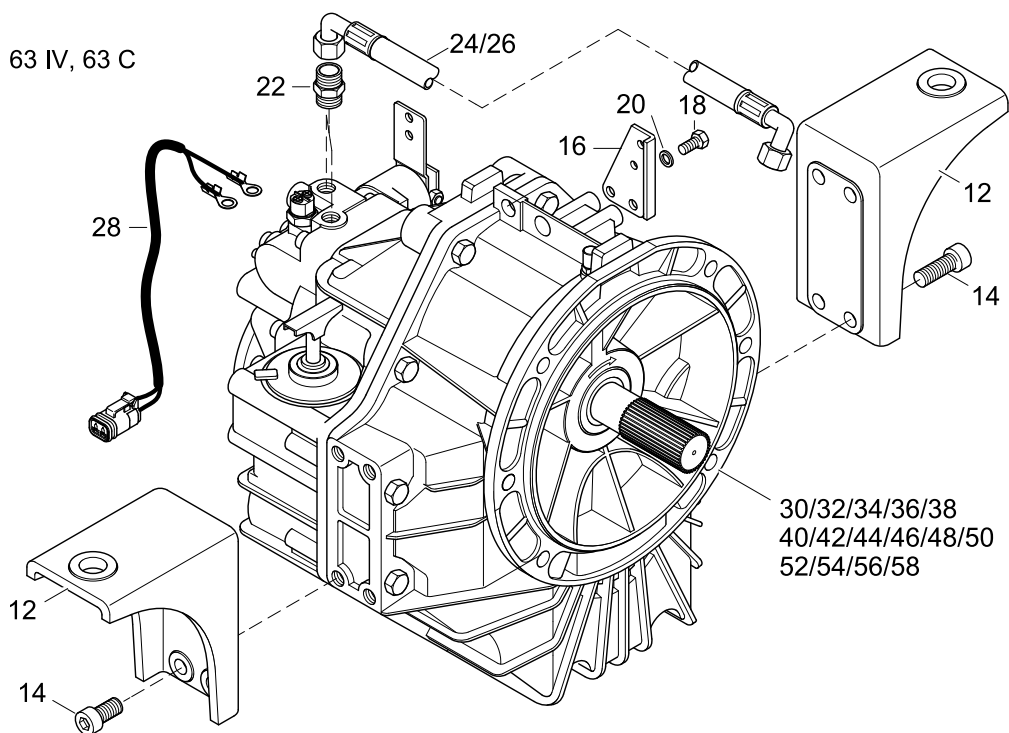
TA 0700

**286 MARINE**  
H43 HIGH POWER  
+ **SOLAS**

**TRANSMISS., MOUNTING BRACKETS, PIPES**

07006184-0

ZF 63, 63A, 63 IV, 63 C





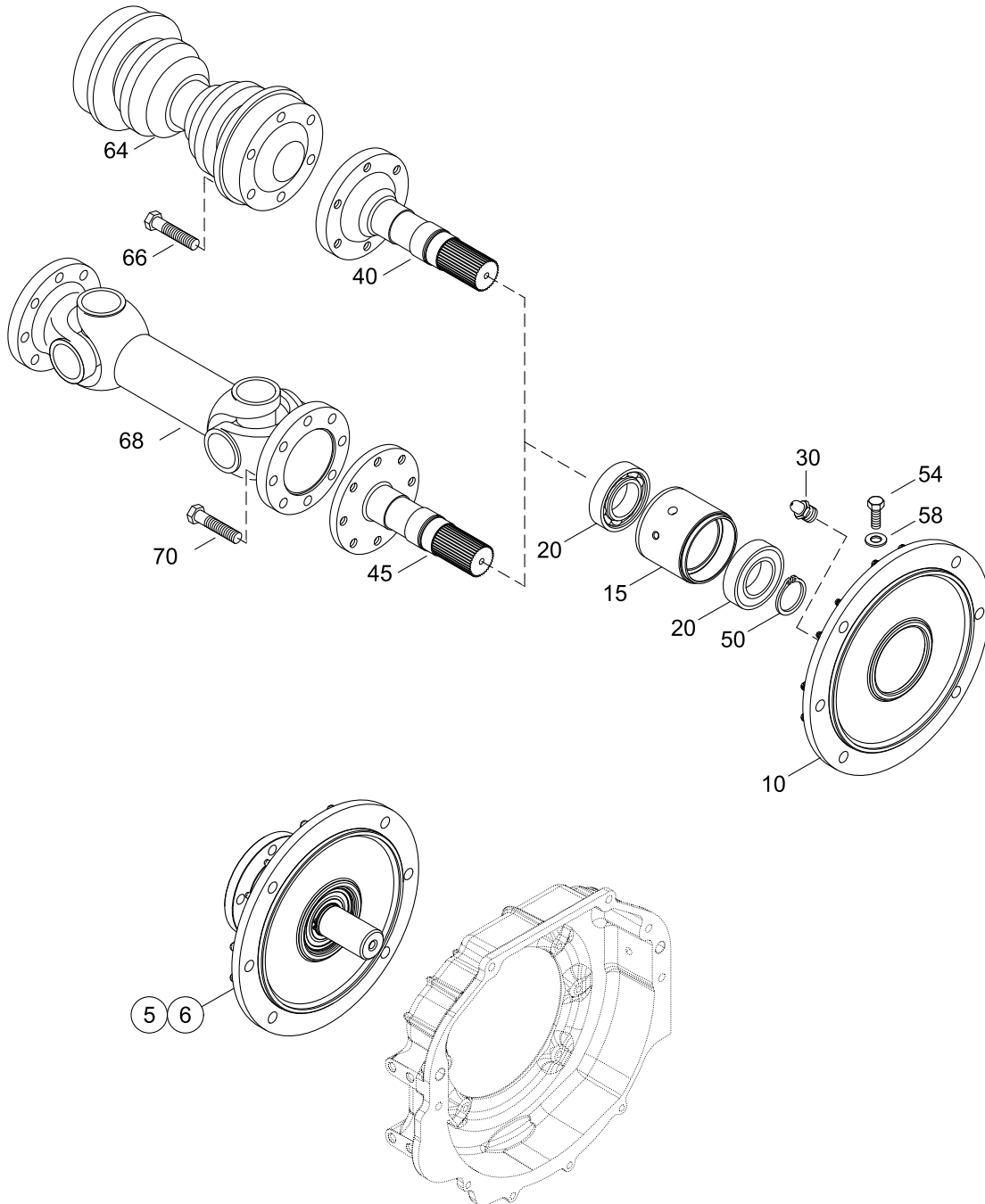


TA 0701

**286 MARINE**  
H43 HIGH POWER  
+ **SOLAS**

**TRANSMISSION-SHAFT, PTO-SHAFT**

07016184-0



**ALU - HOUSING**





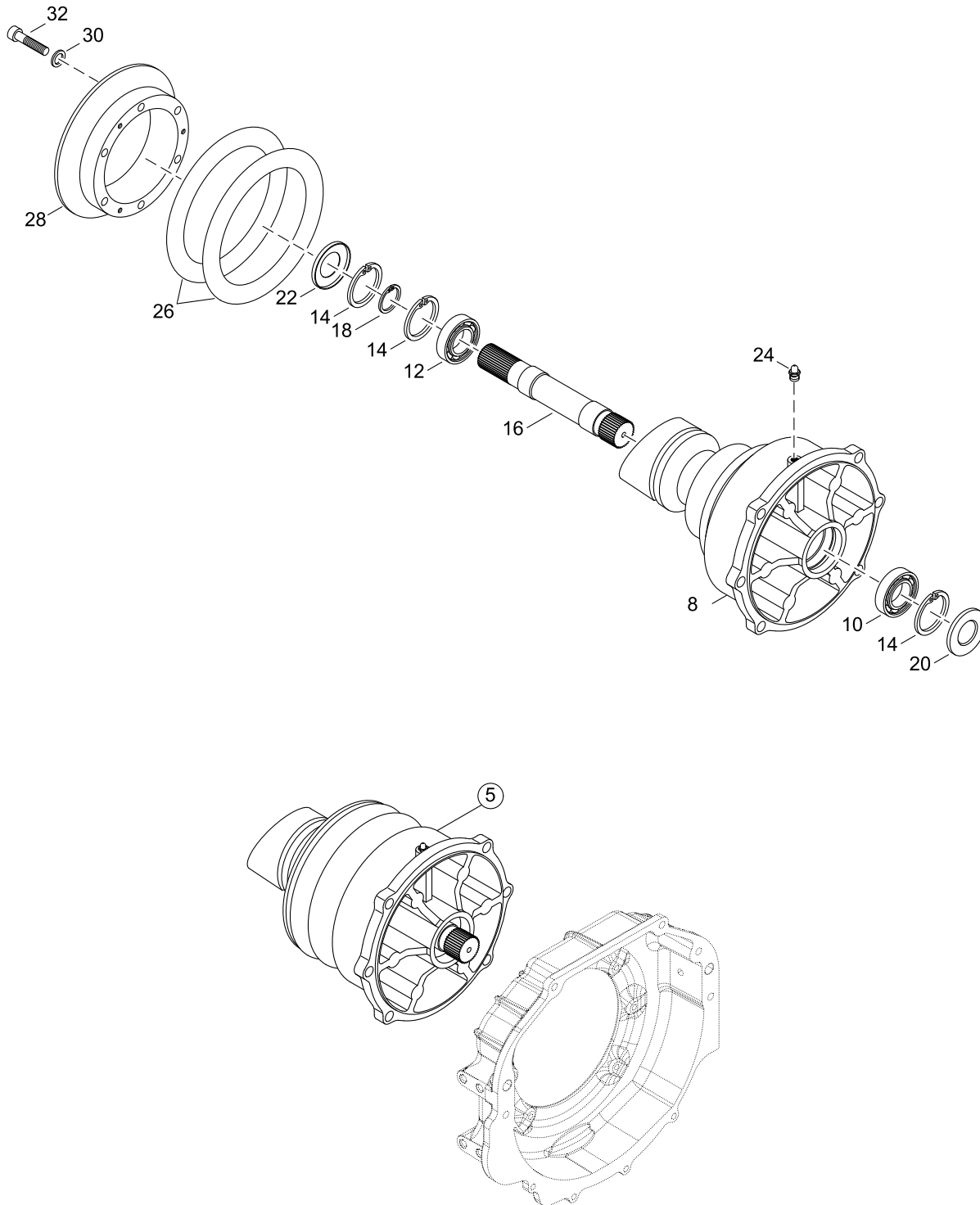


TA 0720

**286 MARINE**  
H43 HIGH POWER  
+ **SOLAS**

**DRIVE ADAPTOR VOLVO STERNDRIVE  
(ACCESSORY)**

07206084-0







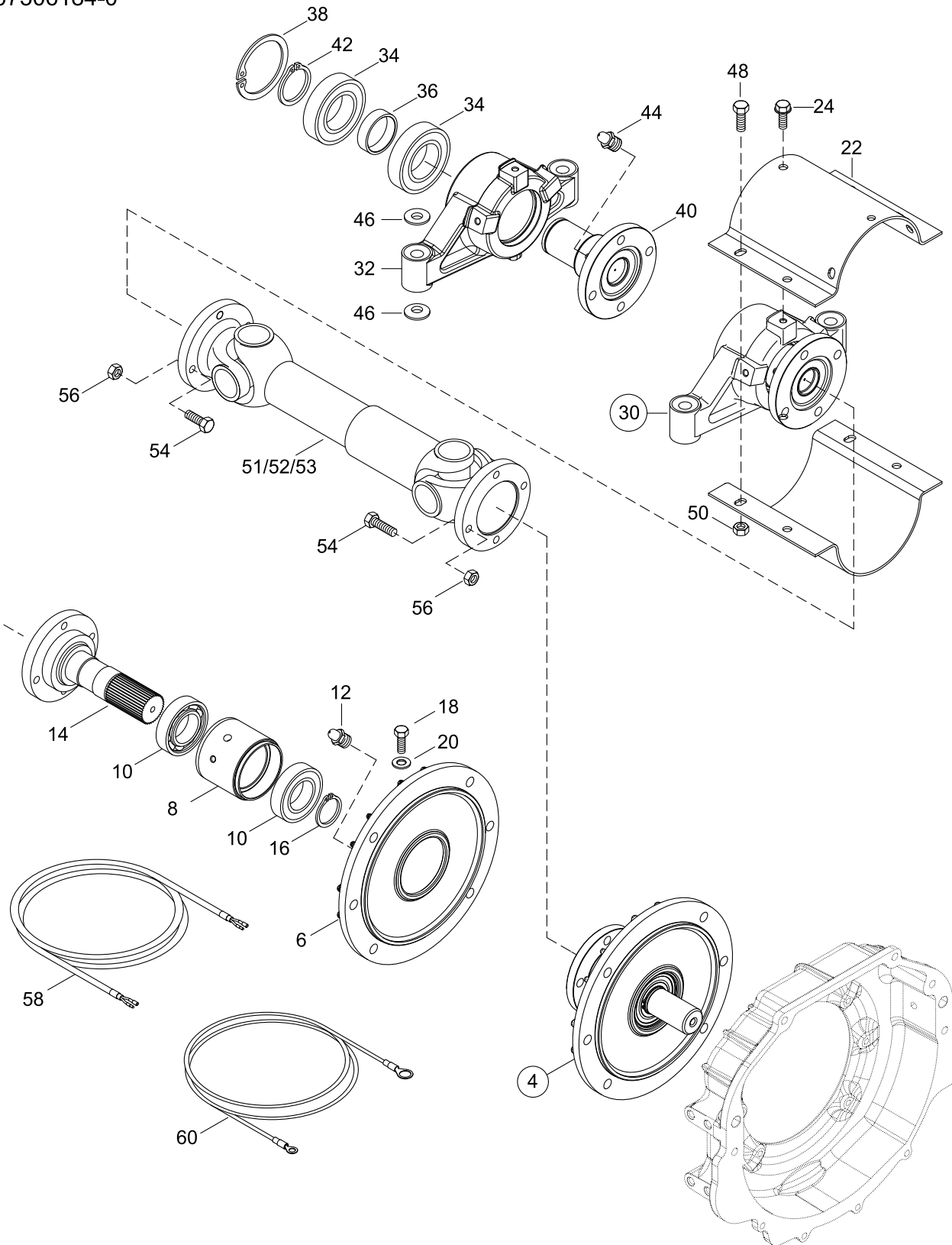
TA 0730



**286 MARINE**  
H43 HIGH POWER  
+ **SOLAS**

**DRIVE SHAFT EXT. MERCURY STERNDRIVE  
(ACCESSORY)**

07306184-0





**DRIVE SHAFT EXT. MERCURY STERNDRIVE  
(ACCESSORY)**



07306184-0

Pos.	Part.-No.	Qty	Designation	Step
4	Z002116-0	1	ADAPTER SHAFT ASSY. - MERCURY W.LENGTH BALANCE (PAINTED)	.2
6	Z002117-0	1	ADAPTER HOUSING - PAINTED (ALUCASTING)	..3
8	2179328-0	1	BEARING RETAINER	..3
10	3311181-0	2	DEEP GROOVE BALL BEARING DIN 625-RS1	..3
12	3963112-0	1	LUBRICATING NIPPLE, CONE DIN 71412-AM8x1-A3F	..3
14	2178814-2	1	ADAPTER SHAFT (MERCURY)	..3
16	3933251-0	1	RETAINING RING SHAFT DIN 471-35x1,5	..3
18	3802442-0	2	HEX.HD.SCR. ISO 4017-M8x40-8.8-A2C	..3
20	O125134-0	2	WASHER LARGE	..3
22	2179273-0	4	COVER PLATE	.2
24	9000305-0	6	HEX.FLANGE BOLT EN 1665-M8x20-10.9-DAC	.2
30	Z002118-0	1	BEARING BLOCK DRIVE SH. MERC. ASSY. (PAINTED)	.2
32	Z002119-0	1	BEARING BLOCK DRIVE SH. MERC. (PAINTED)	..3
34	9000486-0	2	DEEP GROOVE BALL BEARING DIN 625-6209 2RS1	..3
36	2179271-0	1	DISTANCE PLATE	..3
38	9000403-0	1	RETAINING RING BORE DIN 472-85x3	..3
40	Z002120-0	1	SHAFT-FLANGE DRIVE SHAFT MERC.	..3
42	3933350-0	1	RETAINING RING SHAFT DIN 471-45x1.75-BLANK	..3
44	3963112-0	1	LUBRICATING NIPPLE, CONE DIN 71412-AM8x1-A3F	..3
46	2179274-0	4	WASHER SPHERIC	.2
48	3802515-0	8	HEX.HD.SCR. ISO 4017-M10x20-8.8-A3C	.2
50	9000052-0	8	HEX.FLANGE NUT,PREVG.TOR. DIN 6927-M10-8-DAC A500	.2
51	Z002079-0	1	DRIVE SHAFT L=432mm & SCREWS	.2
52	Z002080-0	1	DRIVE SHAFT L=1000mm & SCREWS	.2
53	Z002081-0	1	DRIVE SHAFT L=1500mm & SCREWS	.2
54	9000066-0	8	HEX.HD.BOLT ISO 4017-M10x35-12.9	..3
56	9000052-0	8	HEX.FLANGE NUT,PREVG.TOR. DIN 6927-M10-8-DAC A500	..3
58	2179352-0	1	EXTENSION CABLE - TRIMSSENSOR 1,5m	.2
60	2179353-0	1	GROUND WIRE FLYW.HSG-TRANSOM 1,8m	.2



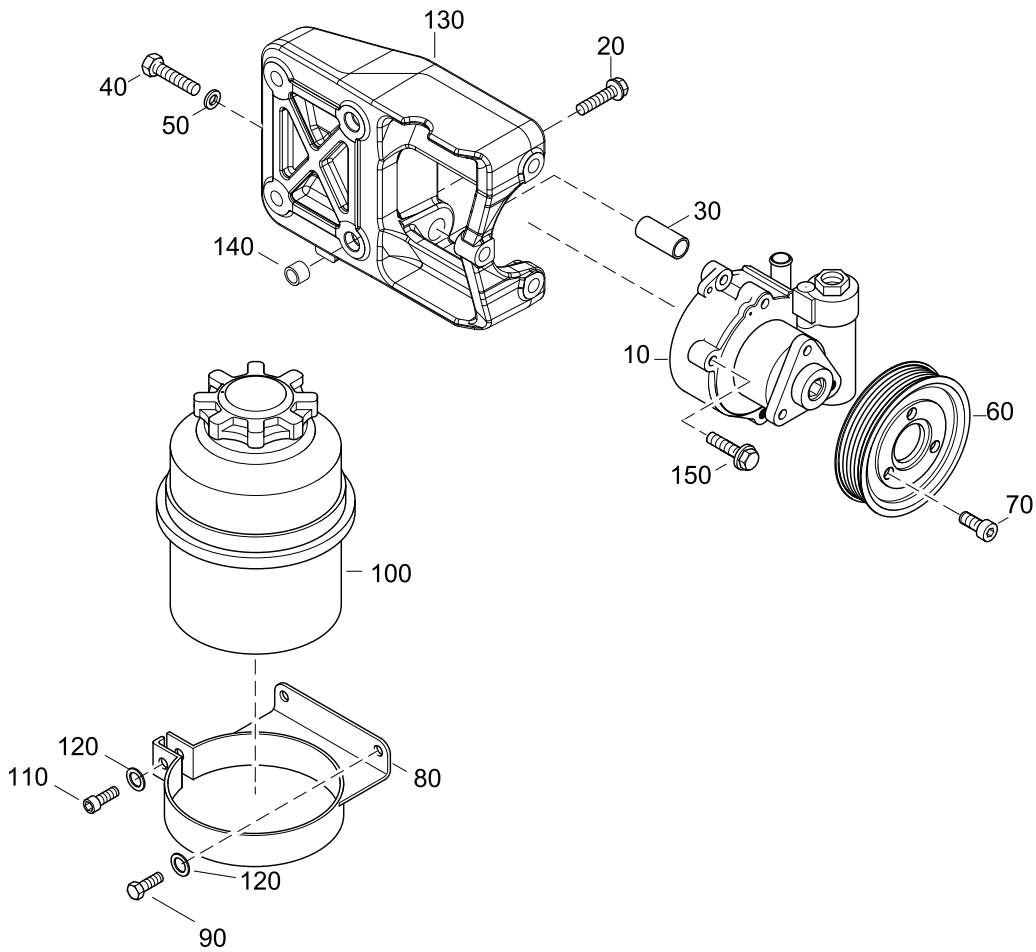


TA 1408

**286 MARINE**  
H43 HIGH POWER  
+ **SOLAS**

**HYDRAULIC PUMP**

14086184-2





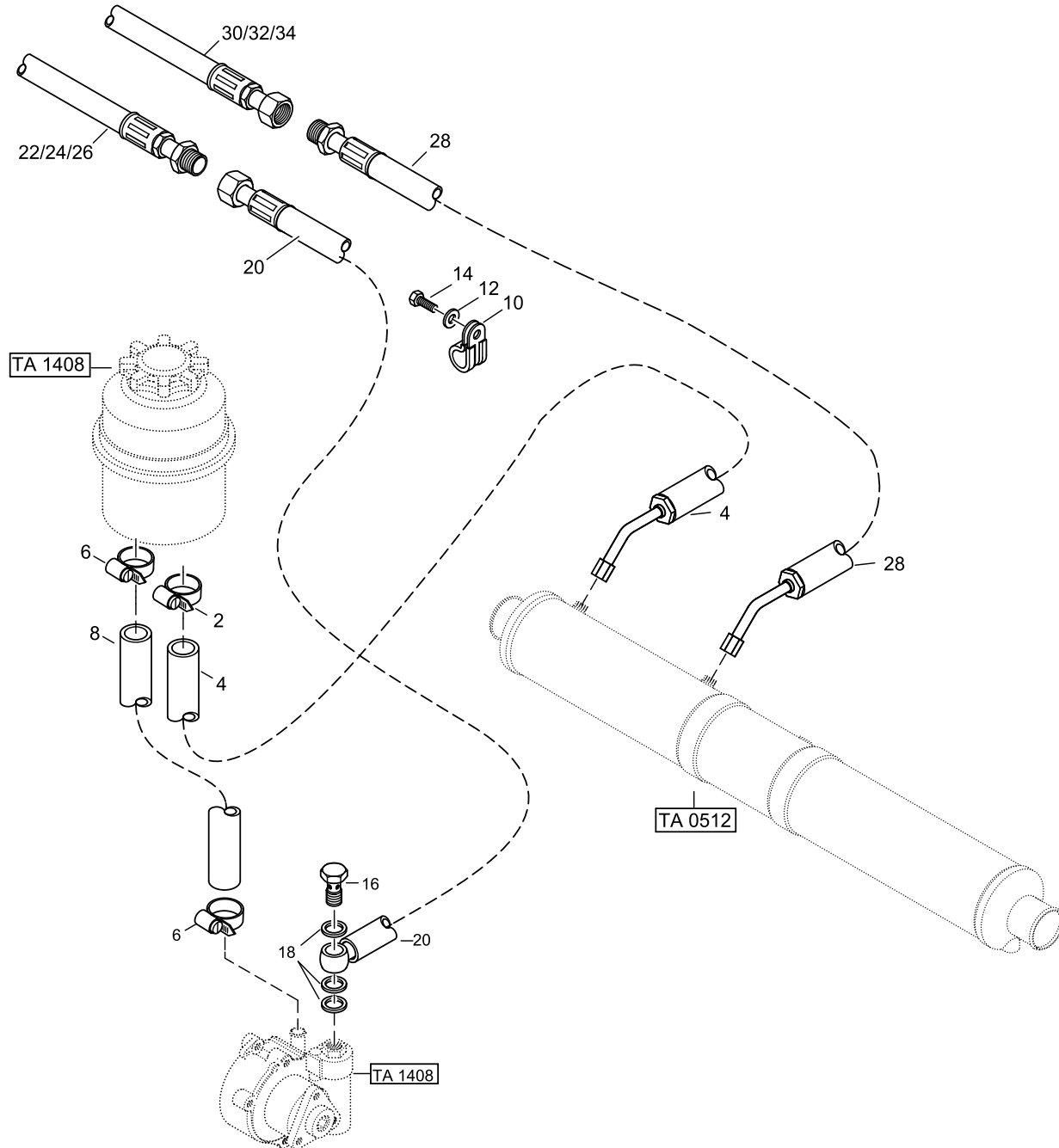


TA 1409

**286 MARINE**  
H43 HIGH POWER  
+ **SOLAS**

HYDRAULIC PIPES

14096184-1





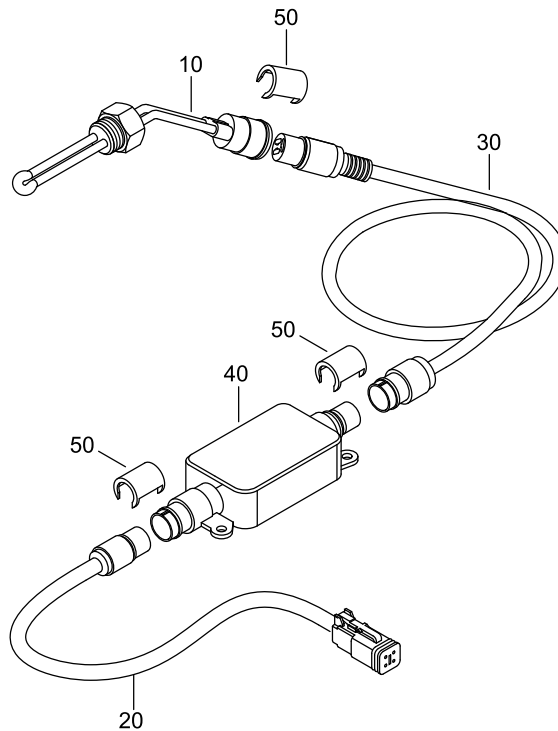
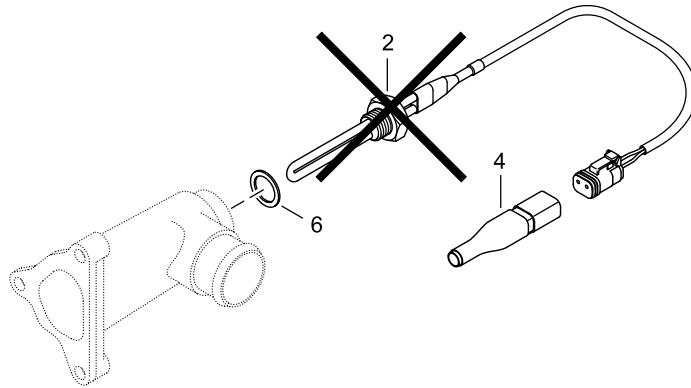


TA 2207

**286 MARINE**  
H43 HIGH POWER  
+ **SOLAS**

**ENGINE PREHEATING  
(ACCESSORY)**

22076184-0







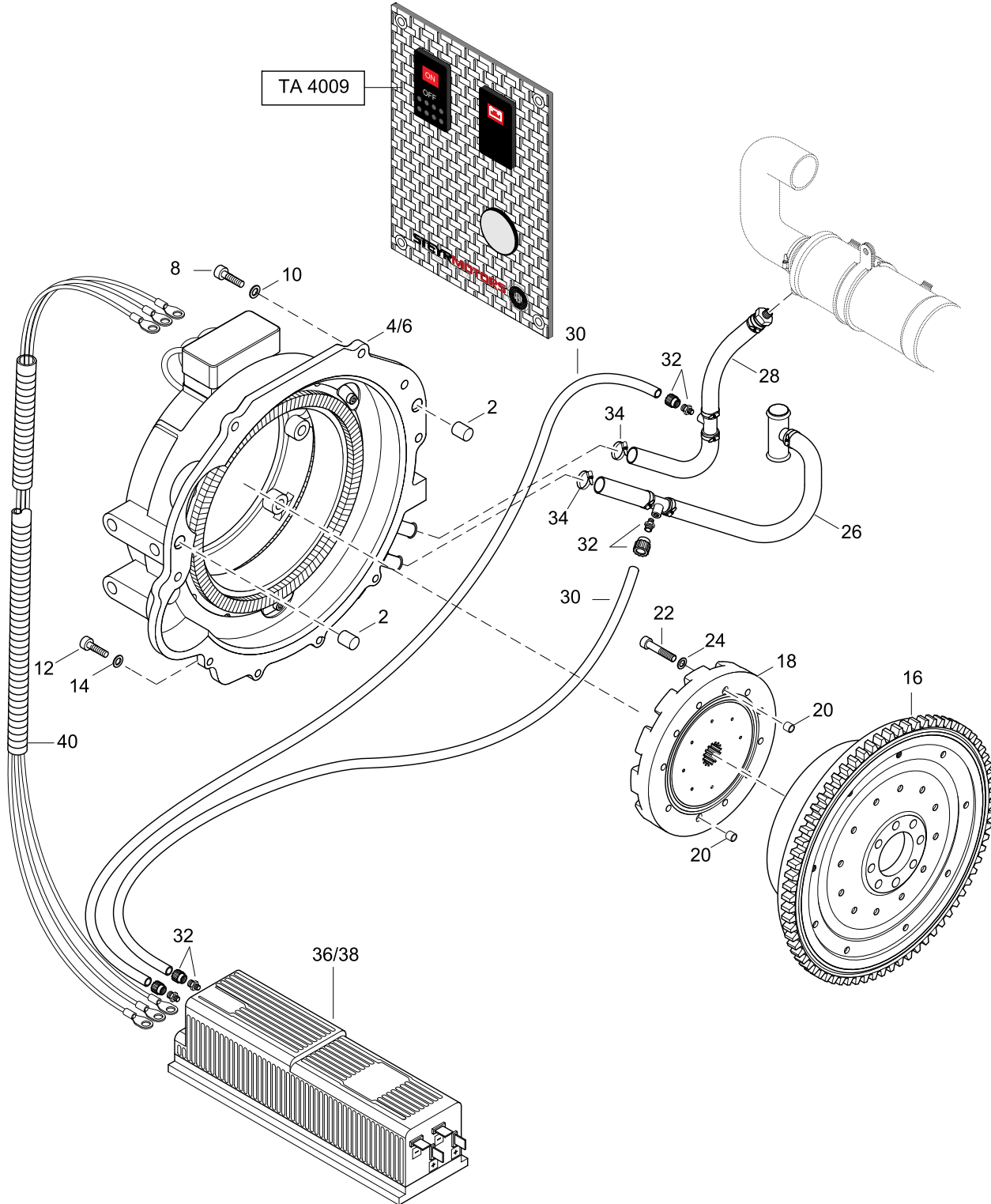
TA 4000



**286 MARINE**  
H43 HIGH POWER  
+ **SOLAS**

**INTEGR. FLYWHEELGENERATOR (IFG)  
(ACCESSORY)**

40006184-0





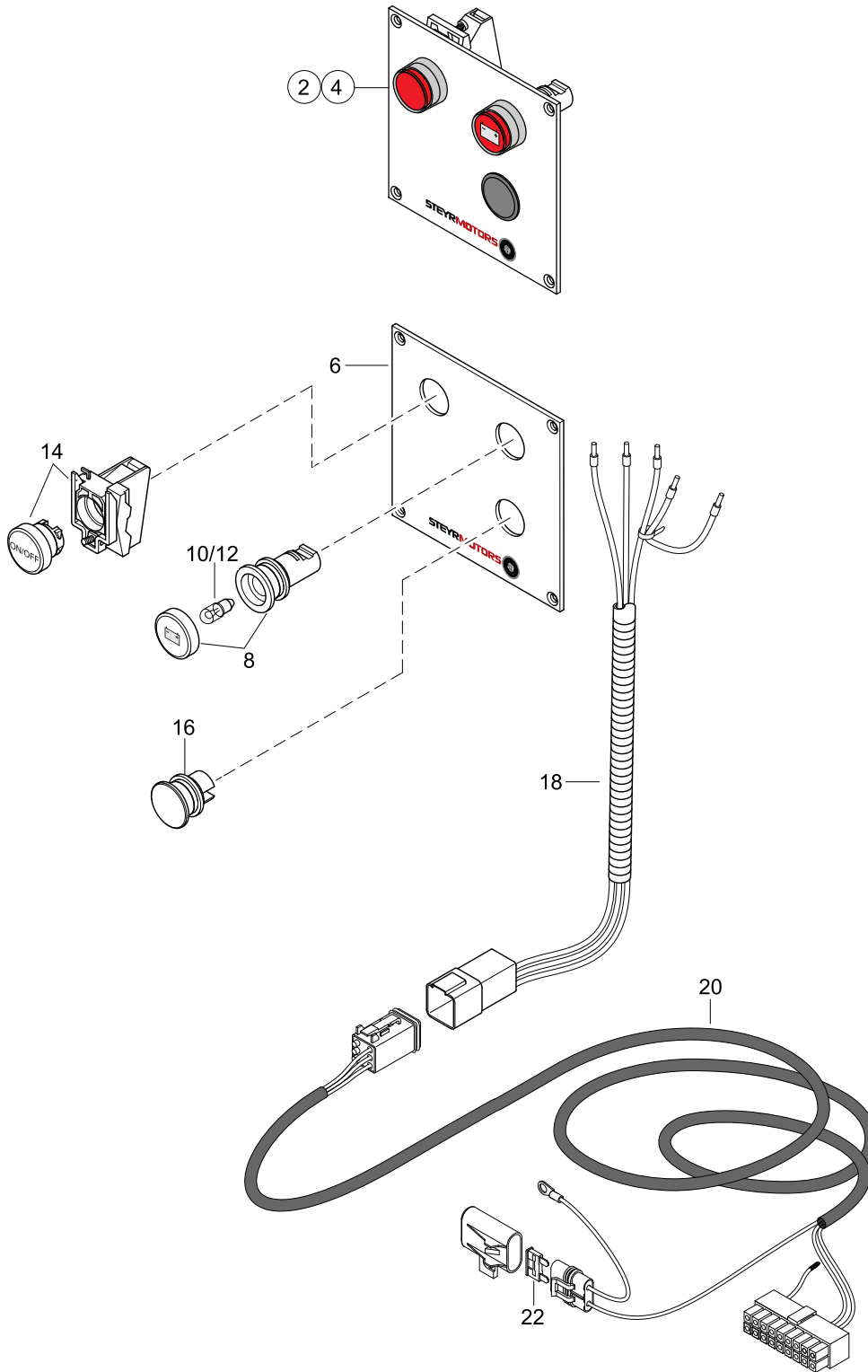


TA 4009

**286 MARINE**  
H43 HIGH POWER  
+ SOLAS

**PUSH BUTTON PANEL „IFG“  
TILL -->2010**

40096184-0







TA 4009

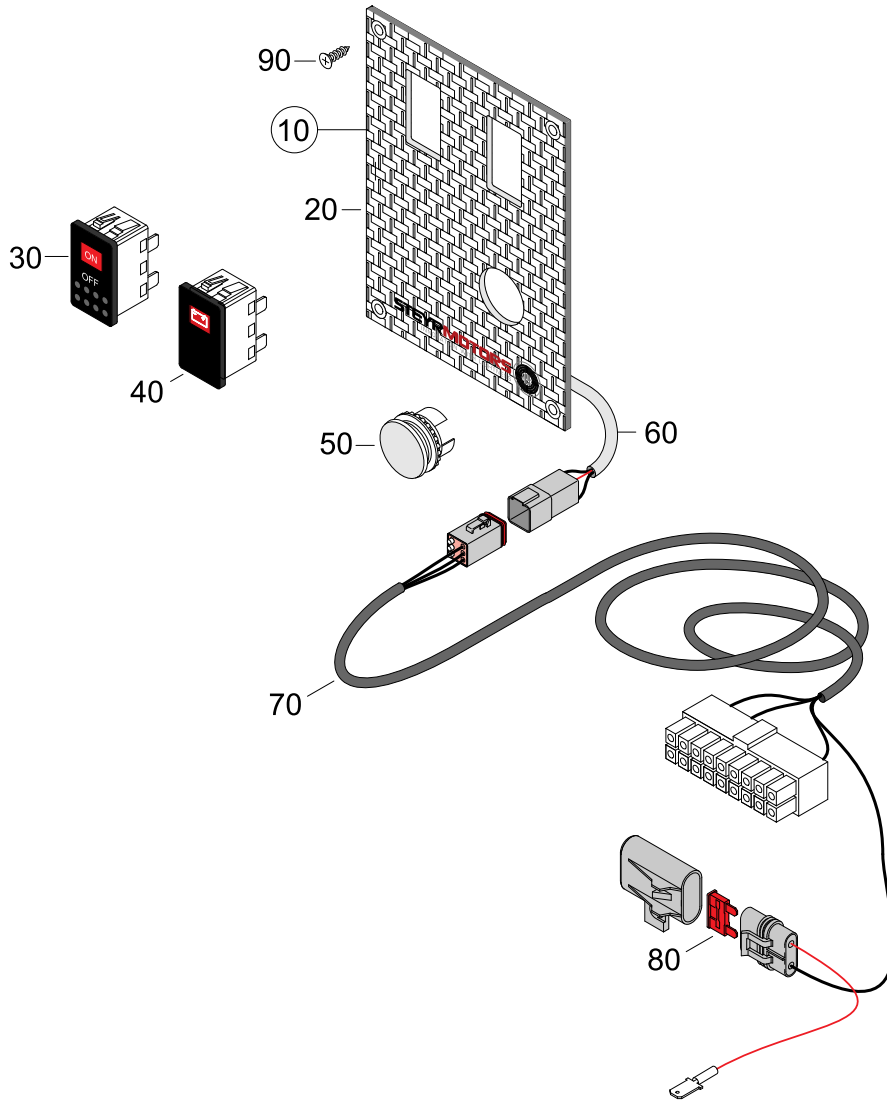
**STEYRMOTORS**  
INNOVATION WITH LIGHTNESS



**286 MARINE**  
H43 HIGH POWER  
+ **SOLAS**

PUSH BUTTON PANEL „IFG“  
FROM 2010-->

40096184-1





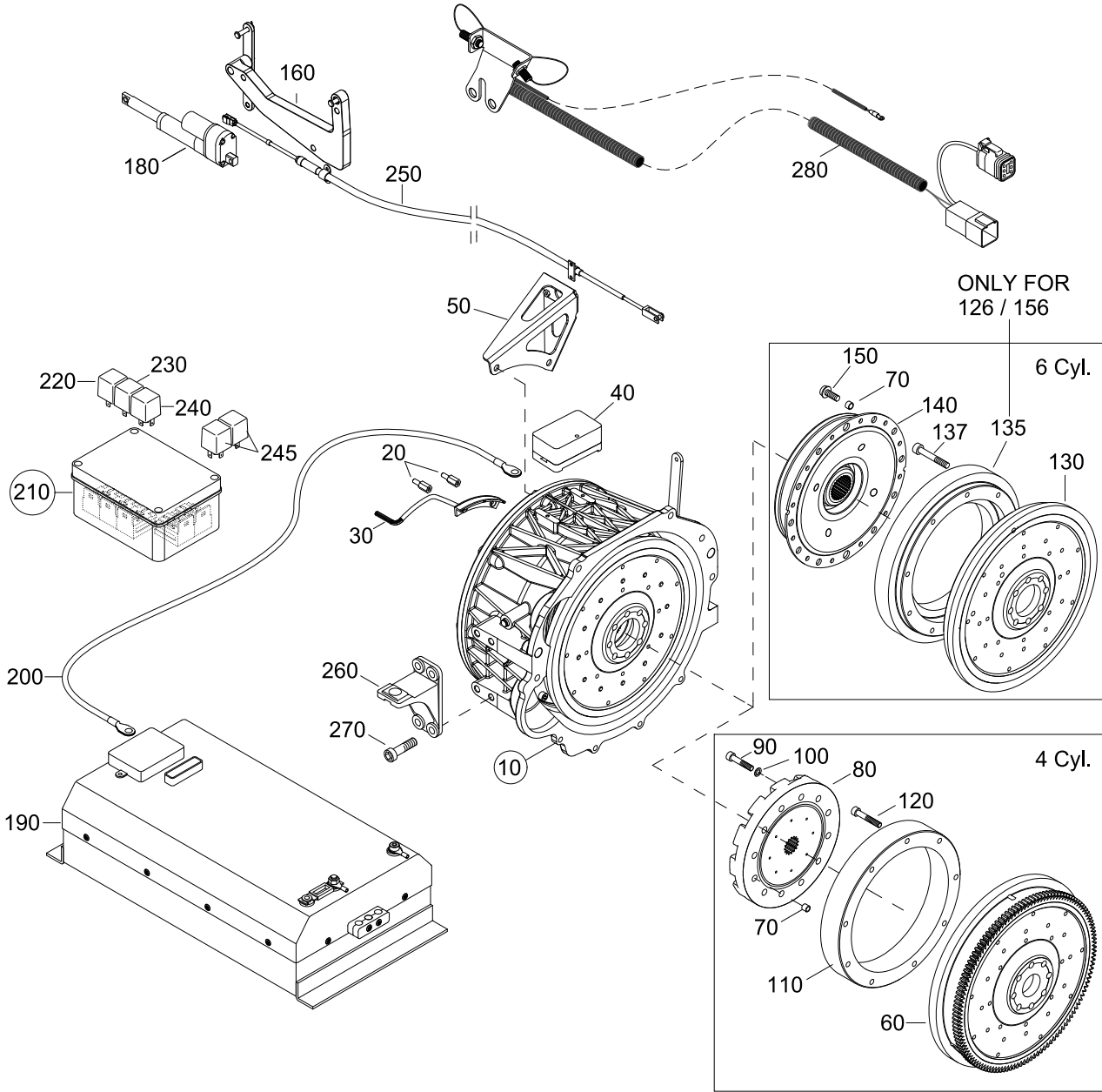


TA 1409

**286 MARINE**  
H43 HIGH POWER  
+ SOLAS

HYBRID

41006184-0



<b>HYBRID</b>	<b>286 MARINE</b> H43 HIGH POWER <b>+ SOLAS</b>
---------------	---

41006184-0

Pos.	Part.-No.	Qty	Designation	Step
10	Z002171-0	1	ELECTRIC MOTOR ASSY.	.2
20	2179623-1	2	DISTANCE BOLT	..3
30	Z002173-0	1	HALL SENSOR ASSY.	..3
40	2179758-0	1	CONNECTION PLATE	..3
50	2180122-0	1	GEAR SHIFT BRACKET	..3
60	2203870-0	1	FLYWHEEL ASSY. RW	.2
70	2203543-0	2	FITTING SLEEVE	.2
80	Z002106-0	1	S.P. COUPLER	.2
90	9000520-0	12	HEX.SOCK.HD.CAP SCR. ISO 4762-M8x50-10.9-DAC	.2
100	3930103-0	12	WASHER DIN 125-8.4-140HV-A2	.2
110	2180415-0	1	FLYWHEEL MASS	.2
120	3862462-0	9	HEX.SOCK.HD.CAP SCR. DIN 912-M8x60-8.8-A2C	.2
130	2177734-N	1	FLYWHEEL ASSY. RW	.2
135	2180522-0	1	FLYWHEEL MASS	.2
137	3862452-0	9	HEX.SOCK.HD.CAP SCR. DIN 912-M8x50-8.8-A2C	.2
140	Z026060-0	1	S.P. COUPLER	.2
150	9000685-0	12	LOCKING SCREW-M8x16-10.9	.2
160	2179739-1	1	CONTROL BRACKET ASSY.	.2
180	Z002174-0	1	CONTROL MOTOR, CLUTCH	.2
190	Z002195-0	1	ELECTR.CONTROL SYSTEM	.2
200	Z021009-0	3	CONNECTING CABLE	.2
210	Z002175-0	1	RELAIS BOX ASSY.	.2
220	2179961-0	1	PROGRAMMED RELAIS, A12	..3
230	2179960-0	1	PROGRAMMED RELAIS, A11	..3
240	2179959-0	1	PROGRAMMED RELAIS, A10	..3
245	9000183-0	2	RELAY 12V 40A	..3
250	Z002178-0	1	GEAR SHIFT CABLE ASSY.	.2
260	2178722-1	2	BRACKET FLYWHEEL HOUSING	.2
270	9000081-0	8	HEX.SOCK.HD.CAP SCR. DIN 912-M12x35-8.8-A3C	.2
280	Z026154-0	1	POSITION SENSORS ASSY. (SPARE PART)	.2





TA 6012

**286 MARINE**  
H43 HIGH POWER  
+ SOLAS

**HEATING UNIT, CIRCULATION PUMP  
(ACCESSORY)**

60126084-1

