

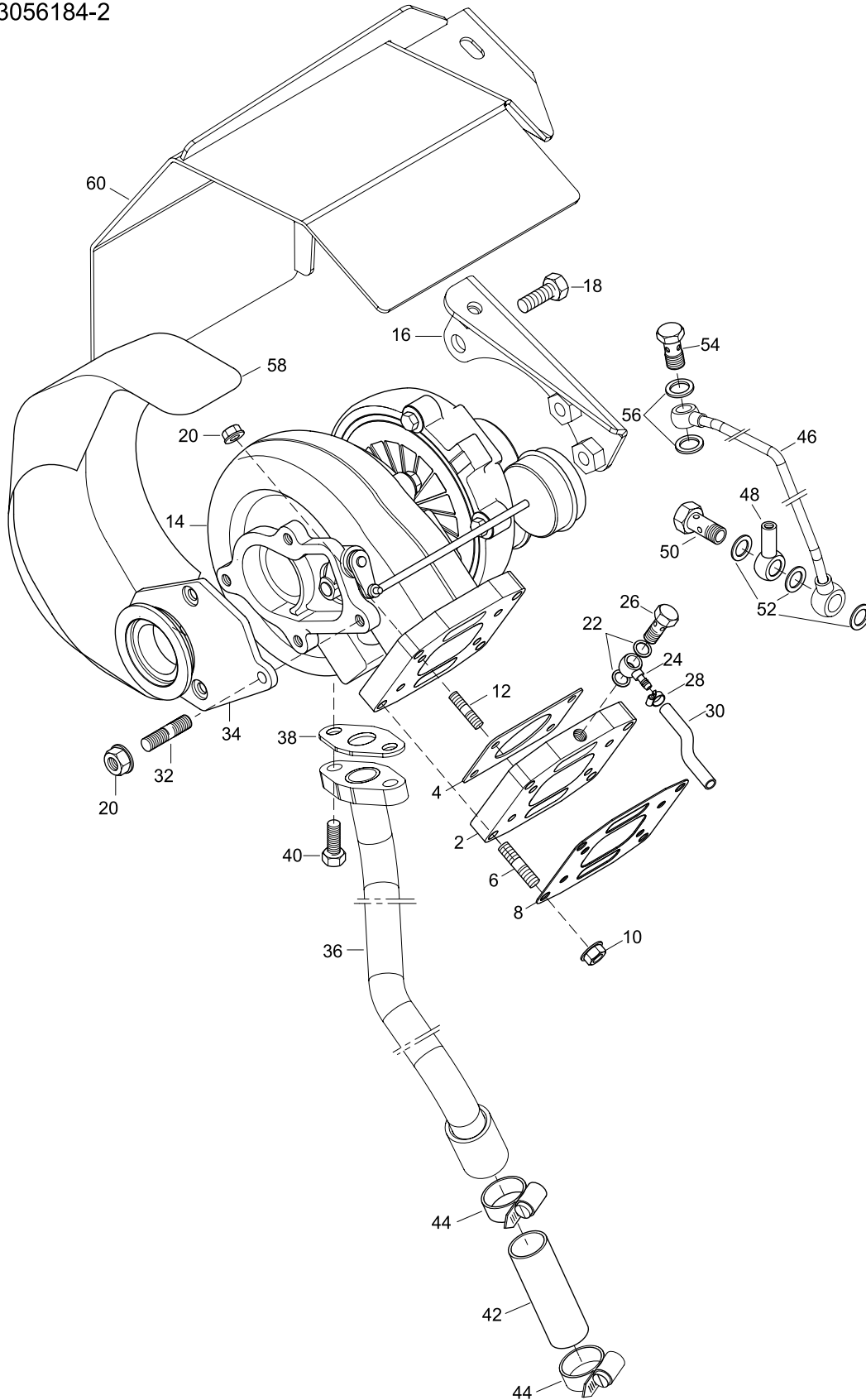


TA 0305

166 MARINE
M28 TURBO DIESEL
+ SOLAS

TURBOCHARGER

03056184-2



TURBOCHARGER
166 MARINE
M28 TURBO DIESEL
+ SOLAS

03056184-2

Pos.	Part.-No.	Qty	Designation	Step
2	2179234-0	1	INTERMEDIATE FLANGE ASSY.	.1
4	706489	1	GASKET, TURBO	.1
6	9000515-0	4	STUD DIN 835-M10x30-8.8-FLZNNC-720H-L	.1
8	2178487-2	1	GASKET, TURBO CHARGER	.1
10	9000042-1	4	HEX. NUT DIN 6923-M10-8-FLZNNC-720H-L	.1
12	2203778-2	4	STUD HEAT-RESISTANT STEEL M8x20	.1
14	Z002685-0	1	TURBO ASSY. 166 (PAINTED)	.1
16	2203827-2	1	BRACKET RAW WATER PIPE	.2
18	9001424-0	1	HEX.HD.SCR. ISO 4017-M8x20-A4-70	.2
20	2178640-0	8	HEX.NUT PREVG.TORQUE HR EN 1664-M8	.1
22	3098011-0	2	SEALING RING DIN 7603-A10x16-CU	.1
24	2174384-1	1	BANJO DN4 DIN 7642	.1
26	9000010-1	1	HOLLOW SCREW M10x1 DIN 7643-6-3-S	.1
28	2174405-0	1	HOSE CLAMP 10-16/7.5	.1
30	2178552-0	1	HOSE VENTING	.1
32	2178608-6	4	STUD DIN 939-M8x15-HTR	.1
34	Z002426-0	1	FLANGE TURBO INCL. SCREWS	.1
36	2178304-4	1	TUBE OIL-RETURN ASSY.	.1
38	2203278-0	1	GASKET OIL-RETURN TURBOCHARGER	.1
40	3802321-0	2	HEX.SCR.ISO 4017-M6x16-8.8-FLZNNC-720H-L	.1
42	2178298-0	1	HOSE, RETURN OIL	.1
44	2177464-0	2	CLAMP 20-32/12	.1
46	2178461-4	1	OIL LINE TURBO CHARGER ASSY	.1
48	2203772-0	1	BRACKET OIL PRESSURE SENSOR	.1
50	2203591-0	1	DOUBLE HOLLOW SCREW M12x1.5 DIN 7643-8	.1
52	3098013-0	3	SEALING RING DIN 7603-A12x18-CU	.1
54	2178569-1	1	HOLLOW SCREW M10x1,25	.1
56	3098011-0	2	SEALING RING DIN 7603-A10x16-CU	.1
58	2203749-2	1	HEAT PROTECTING TURBO	.1
60	2179914-0	1	HEAT PROTECTING SHEET, TURBO	.1

