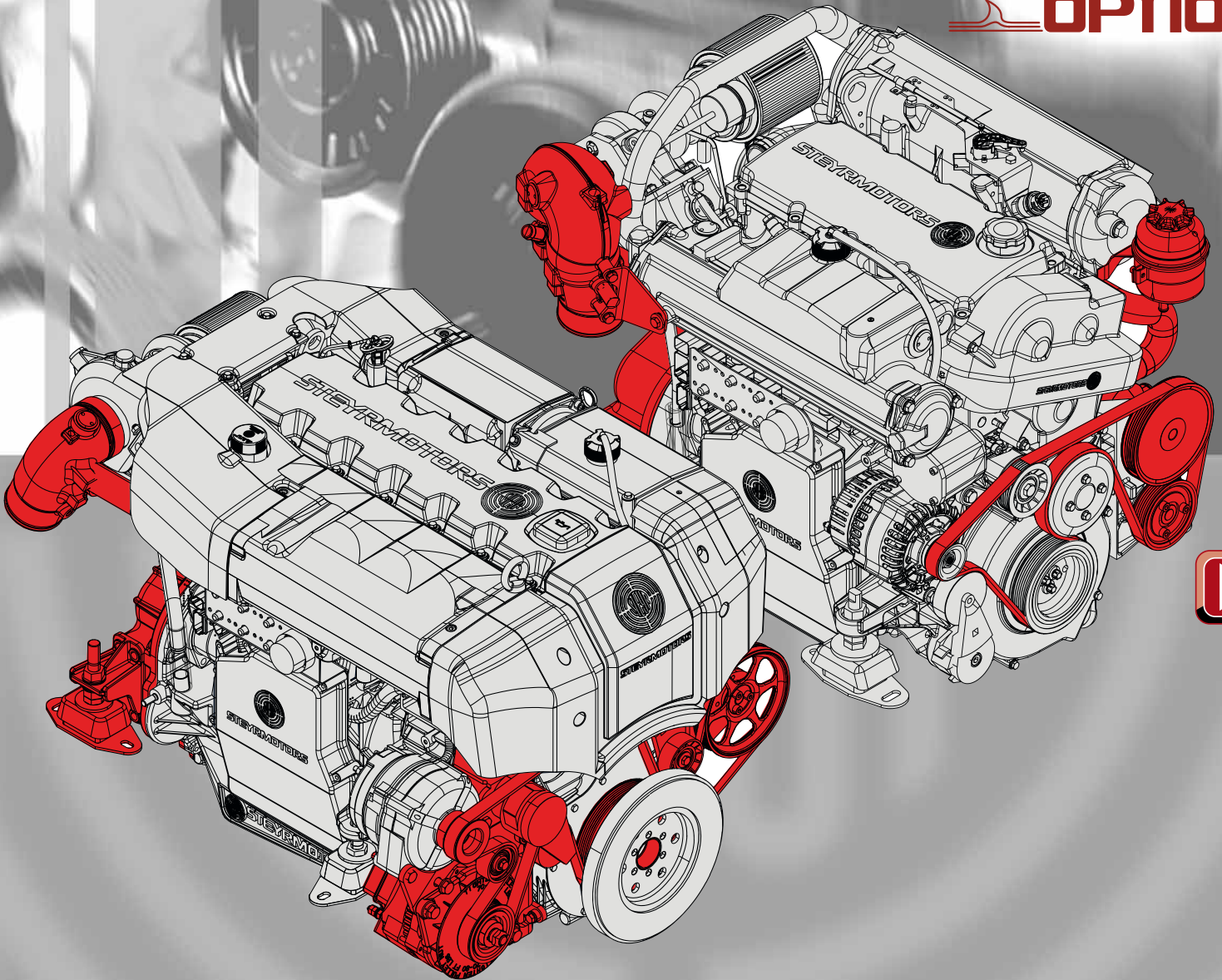


STEYR MARINE OPTIONS

STEYR MARINE
OPTION



SPARE PARTS CATALOGUE

P/N 501188 1st Edition, May 2025



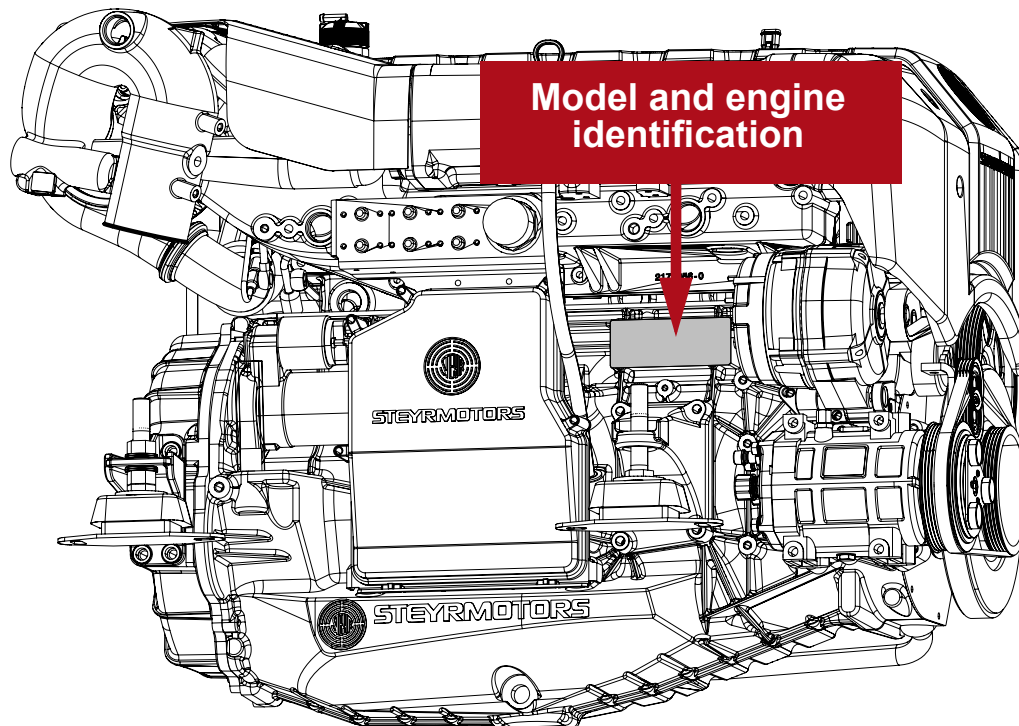
STEYRMOTORS



STEYR MARINE
OPTION

When ordering spare parts are always indicate model and engine number.
This will speed up delivery and help to avoid mistakes.

The primary model and engine number is located on the engine as illustrated. These numbers are required when requesting warranty and ordering parts.



Substituting automotive or generally supplied parts and hardware will often result in less than desired performance. For this reason, you should insist on the known quality of genuine STEYR Marine matched replacement parts, and should never use parts of unknown quality.

We reserve the right to make changes in design and execution which incorporate advances in technology!



SIGNS AND SYMBOLS

1



TA 0101

CYLINDERBLOCK	STEYRMARINE OPTION
----------------------	-------------------------------

2

01014084-0

3	4	5	6	8	9	7
Pos.	Part.-No.	Qty	Designation			Step
10	Z002676-0	1	SPARE PART COVER T-BELT →48226146			.2
20	2203711-1	1	COVER T-BELT, UPPER PART 48226147→			.2
30	9000538-0	3	HEX.FLANGE BOLT EN 1665-M6x50 A2-70			.2

- | | |
|--|---|
| <p>1 Table number</p> <p>2 Partlist number for whole table/
functional groups</p> <p>3 Positions number</p> <p>4 Spare part number</p> <p>5 Quantity for one engine respectively
assembly group</p> | <p>6 Designation and description of spare part</p> <p>7 Groupparts are marked with a circle around the
position number. Parts in the list below these,
which had an increased step number by one, will
be included at delivery.</p> <p>8 → 4..... Arrow before engine number:
Spare part UNTIL and LOWER</p> <p>9 4..... → Arrow past engine number:
Spare part FROM and HIGHER</p> |
|--|---|

ACROBAT

... back to "starting point"

... one page back

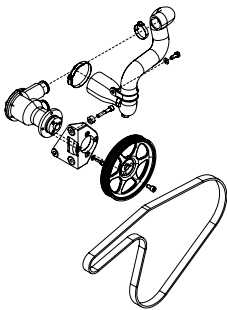

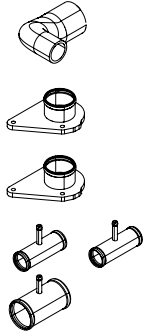

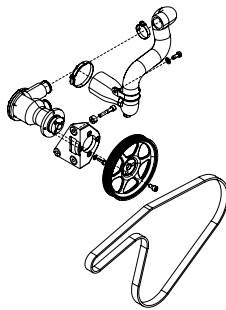

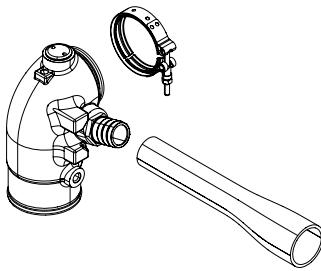

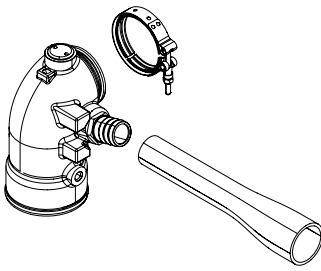

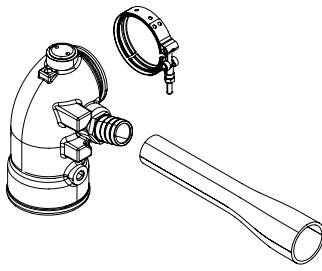

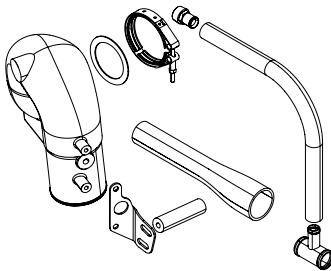
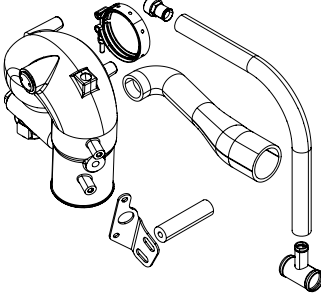


... one page forward

The screenshot shows a PDF page with a technical drawing of a water pump assembly (MS1412010) and a table with columns for Pos., Part.-No., Qty, Unit, Designation, and Step. Navigation icons for back, forward, and search are visible.









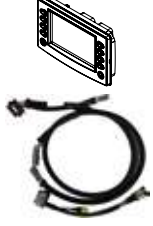







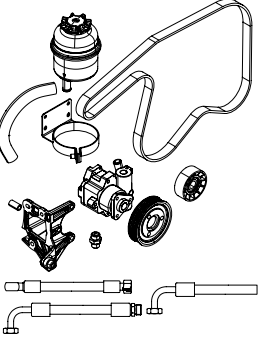





TABLE OF CONTENTS - SPARE PARTS CATALOGUE

<p>Page 16</p> <p>MS1107040</p>  <p>* suitable for all SE 6 Cyl. Engines</p> 	<p>Page 18</p> <p>MS1111050</p>  <p>* suitable for all SE 6 Cyl. Engines</p> 	<p>Page 20</p> <p>MS1412010</p>  <p>* suitable for all SE 6 Cyl. Engines</p> 
<p>Page 22</p> <p>MS1107050</p>  <p>* suitable for SE236S36</p> 	<p>Page 24</p> <p>MS1107070</p>  <p>* suitable for: SE266E40 SE266S36 SE286E40 SE306J38</p> 	<p>Page 26</p> <p>MS1107070</p>  <p>* suitable for: SE266E40 SE266S36 SE286E40 SE306J38</p> 
<p>Page 28</p> <p>MS1111030</p>  <p>* suitable for: SE126E32 SE156E34 SE186E38 SE236E40</p> 	<p>Page 30</p> <p>MS1203020</p>  <p>* suitable for: SE236S36 SE266E40 SE266S36 SE286E40 SE306J38</p> 	<p>Page 32</p> <p>ME1307010 - CABLE 7m ME1307020 - CABLE 1.5m ME1307030 - CABLE 2.5m</p>  <p>* suitable for all SE 6 Cyl. Engines</p> <p>** suitable for: SE144E38 SE164E40</p> 



<p>Page 34</p> <p>ME1307040</p>  <p>* suitable for all SE 6 Cyl. Engines</p> 	<p>Page 36</p> <p>ME1307050</p>  <p>* suitable for all SE 6 Cyl. Engines</p> <p>** suitable for: SE144E38 SE164E40</p> 	<p>Page 38</p> <p>ME0909040</p>  <p>* suitable for all SE 6 Cyl. Engines</p> <p>** suitable for: SE144E38 SE164E40</p> 
<p>Page 40</p> <p>ME0909050</p>  <p>* suitable for all SE 6 Cyl. Engines</p> <p>** suitable for: SE144E38 SE164E40</p> 	<p>Page 42</p> <p>ME1503010 - KIT STEYR CONTROL CENTER 2 (0.6m CABLE) ME1504010 - KIT STEYR CONTROL CENTER 2 (1.5m CABLE)</p>  <p>* suitable for all SE 6 Cyl. Engines</p> <p>** suitable for: SE144E38 SE164E40</p> 	<p>Page 44</p> <p>ME0301050 - 6.3m ME0301060 - 10m ME1309010 - 2.5m</p>  <p>* suitable for all SE 6 Cyl. Engines</p> <p>** suitable for: SE144E38 SE164E40</p> 
<p>Page 46</p> <p>ME0301040 - 5m ME0912010 - 10m</p>  <p>* suitable for all SE 6 Cyl. Engines</p> <p>** suitable for: SE144E38 SE164E40</p> 	<p>Page 48</p> <p>ME2202010</p>  <p>** suitable for: SE144E38 SE164E40</p> <p>* suitable for all SE 6 Cyl. Engines</p> 	<p>Page 50</p> <p>MS1111010</p>  <p>* suitable for all SE 6 Cyl. Engines</p> 





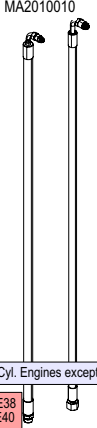

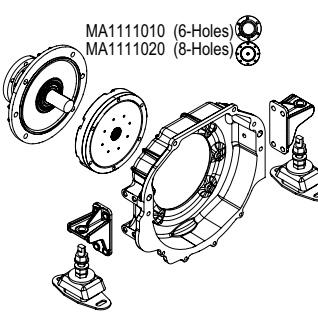

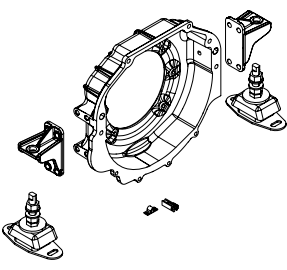

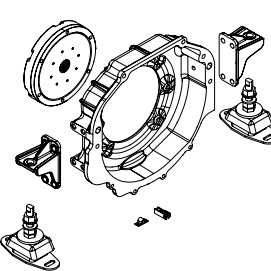

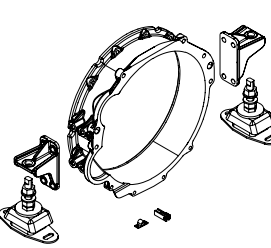

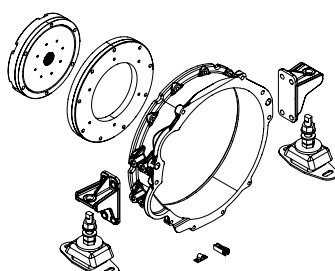

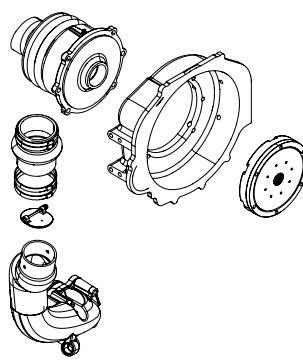

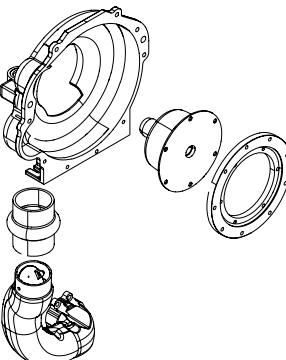

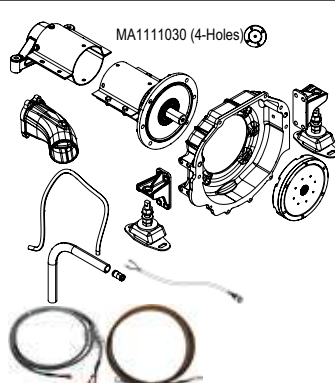

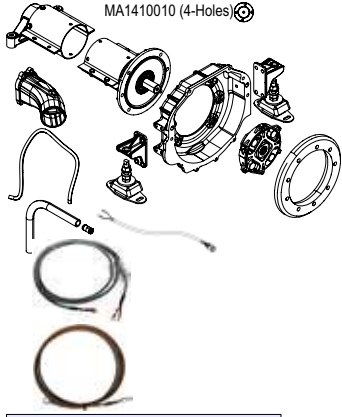




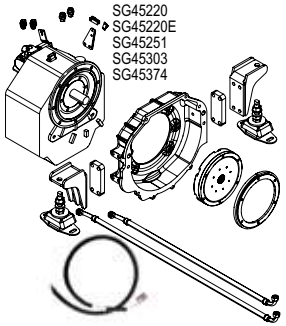

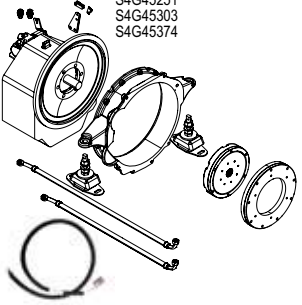

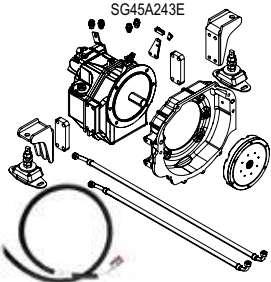

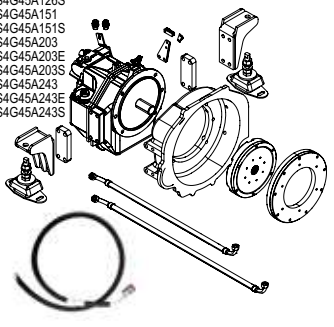

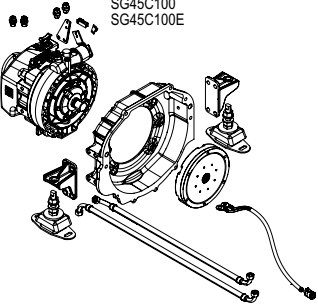

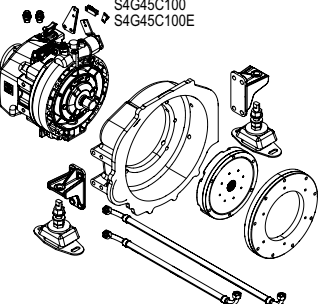

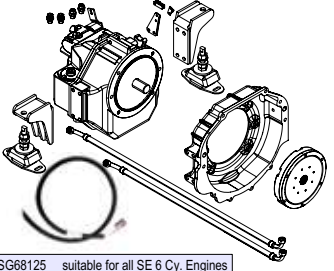

<p>Page 52</p> <p>MA2010010</p>  <p>* suitable for all SE 6 Cyl. Engines except SE306J38 ** suitable for: SE144E38 SE164E40</p> 	<p>Page 54</p> <p>MA1111010 (6-Holes) MA1111020 (8-Holes)</p>  <p>* suitable for all SE 6 Cyl. Engines</p> 	<p>Page 56</p> <p>MS1107010</p>  <p>* suitable for all SE 6 Cyl. Engines</p> 
<p>Page 58</p> <p>MS1107020</p>  <p>* suitable for all SE 6 Cyl. Engines</p> 	<p>Page 60</p> <p>MS1410050</p>  <p>* suitable for all SE 6 Cyl. Engines ** suitable for: SE144E38 SE164E40</p> 	<p>Page 62</p> <p>MS1210010</p>  <p>* suitable for all SE 6 Cyl. Engines ** suitable for: SE144E38 SE164E40</p> 
<p>Page 64</p> <p>MA1205010</p>  <p>* suitable for all SE 6 Cyl. Engines except SE306J38</p> 	<p>Page 66</p> <p>MA0308010</p>  <p>* suitable for all SE 6 Cyl. Engines except SE306J38</p> 	<p>Page 68</p> <p>MA1111030 (4-Holes)</p>  <p>* suitable for all SE 6 Cyl. Engines except SE306J38</p> 

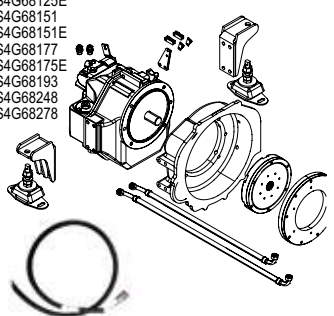

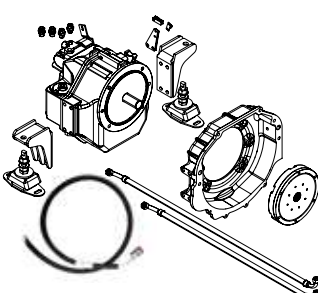

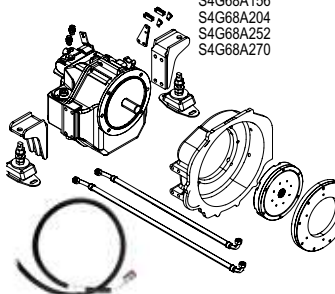

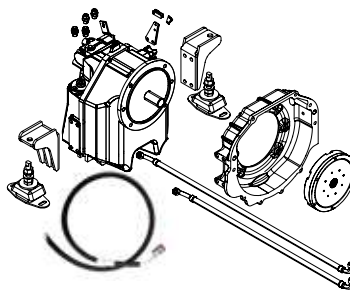

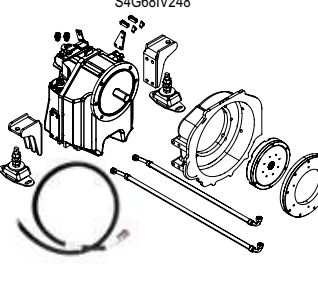

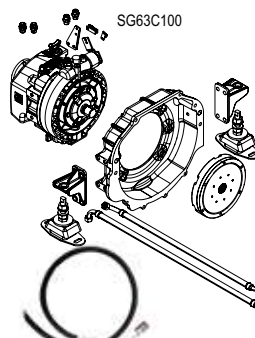

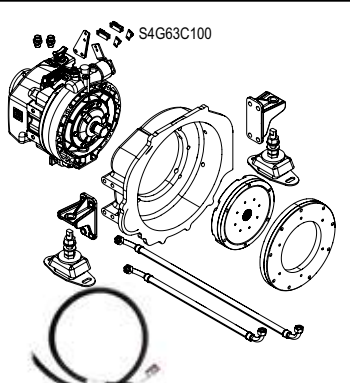

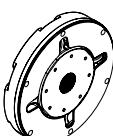

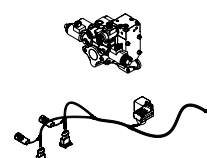



TABLE OF CONTENTS - SPARE PARTS CATALOGUE





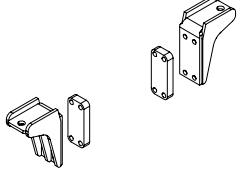

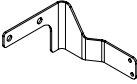

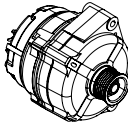

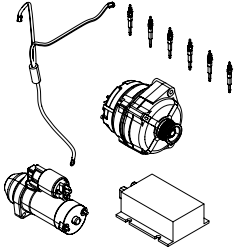

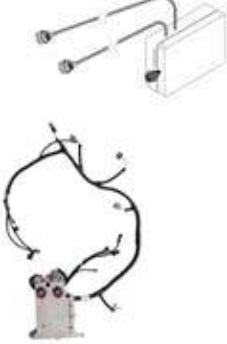

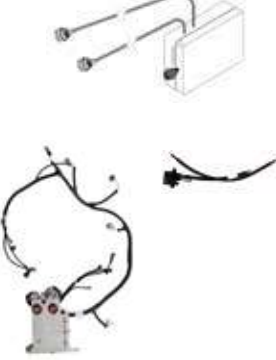

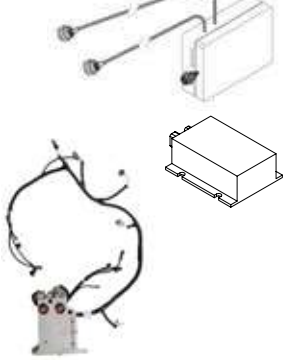

<p>Page 70</p>  <p>MA1410010 (4-Holes) </p> <p>* suitable for all SE 6 Cyl. Engines except SE306J38</p> 	<p>Page 72</p>  <p>BR1130 - suitable for all SE 6 Cyl. Engines except SE306J38 BR2181 BR3185 BR3181</p> <p>BR1165 - suitable for SE126E32, SE156E34, SE186E38, SE236E40, SE266E40</p> <p>BR2200 - suitable for SE126E32, SE156E34, SE186E38, SE236E40, SE266E40</p> <p>BR2220 - suitable for SE126E32, SE156E34, SE186E38, SE236E40, SE266E40</p> <p>BR3220 - suitable for SE126E32, SE156E34</p> <p>** suitable for SE144E38 SE164E40</p> 	<p>Page 74</p>  <p>SG45220 SG45220E SG45251 SG45303 SG45374</p> <p>* suitable for: SE126E32 SE156E34 SE186E38</p> 
<p>Page 76</p>  <p>S4G45220 S4G45220E S4G45251 S4G45303 S4G45374</p> <p>** suitable for: SE144E38 SE164E40</p> 	<p>Page 78</p>  <p>SG45A126 SG45A151 SG45A203 SG45A243 SG45A243E</p> <p>* suitable for: SE126E32 SE156E34 SE186E38</p> 	<p>Page 80</p>  <p>S4G45A126 S4G45A126S S4G45A151 S4G45A151S S4G45A203 S4G45A203E S4G45A203S S4G45A243 S4G45A243S S4G45A243SE</p> <p>** suitable for: SE144E38 SE164E40</p> 
<p>Page 82</p>  <p>SG45C100 SG45C100E</p> <p>* suitable for: SE126E32 SE156E34 SE186E38 SE236E40 SE266E40</p> 	<p>Page 84</p>  <p>S4G45C100 S4G45C100E</p> <p>** suitable for: SE144E38 SE164E40</p> 	<p>Page 86</p>  <p>SG68125 suitable for all SE 6 Cy. Engines SG68125E SG68151 SG68151E SG68177 SG68193</p> <p>SG68248 suitable for SE126E32 SG68278 SE156E34 SE186E38 SE236E40 SE236S36 SE266E40</p> 





<p>Page 88</p> <p>S4G68125 S4G68125E S4G68151 S4G68151E S4G68177 S4G68175E S4G68193 S4G68248 S4G68278</p>  <p>** suitable for: SE144E38 SE164E40</p> 	<p>Page 90</p>  <p>SG68A122 suitable for all SE 6 Cyl. Engines SG68A156 SG68A204</p> <p>SG68A252 suitable for all SE 6 Cyl. Engines except SE266S36 SG68A270</p> 	<p>Page 92</p>  <p>S4G68A122 S4G68A156 S4G68A204 S4G68A252 S4G68A270</p> <p>** suitable for: SE144E38 SE164E40</p> 
<p>Page 94</p>  <p>SG68IV129 suitable for all SE 6 Cyl. Engines SG68IV156 SG68IV200</p> 	<p>Page 96</p>  <p>S4G68IV129 S4G68IV156 S4G68IV200 S4G68IV248</p> <p>** suitable for: SE144E38 SE164E40</p> 	<p>Page 98</p>  <p>SG63C100</p> <p>* suitable for all SE 6 Cyl. Engines</p> 
<p>Page 100</p>  <p>S4G63C100</p> <p>** suitable for: SE144E38 SE164E40</p> 	<p>Page 102</p>  <p>MS2307010</p> <p>* suitable for all SE 6 Cyl. Engines</p> 	<p>Page 104</p>  <p>MG0703010 - 12V MG0703020 - 24V</p> <p>* suitable for all SE 6 Cyl. Engines</p> <p>** suitable for: SE144E38 SE164E40</p> 



Page 106	Page 108	Page 110
<p>MG0703030 - 12V MG0703040 - 24V</p>  <p>* suitable for all SE 6 Cyl. Engines ** suitable for: SE144E38 SE164E40</p> 	<p>MG0703050</p>  <p>* suitable for all SE 6 Cyl. Engines ** suitable for: SE144E38 SE164E40</p> 	<p>MS0301090</p>  <p>* suitable for all SE 6 Cyl. Engines ** suitable for: SE144E38 SE164E40</p> 
Page 112	Page 114	Page 116
<p>MS1007010</p>  <p>* suitable for all SE 6 Cyl. Engines</p> 	<p>ME1201010</p>  <p>* suitable for all SE 6 Cyl. Engines ** suitable for: SE144E38 SE164E40</p> 	<p>ME1201030</p>  <p>* suitable for all SE 6 Cyl. Engines</p> 
Page 118	Page 120	Page 122
<p>ME1204020</p>  <p>* suitable for all SE 6 Cyl. Engines</p> 	<p>ME1204030</p>  <p>* suitable for all SE 6 Cyl. Engines</p> 	<p>ME1204040</p>  <p>* suitable for all SE 6 Cyl. Engines</p> 





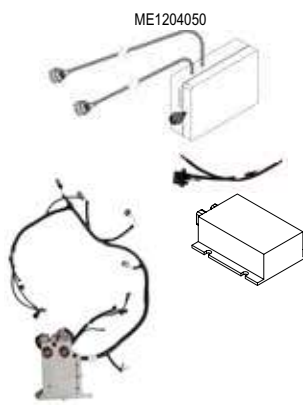


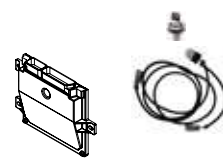

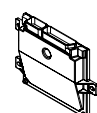

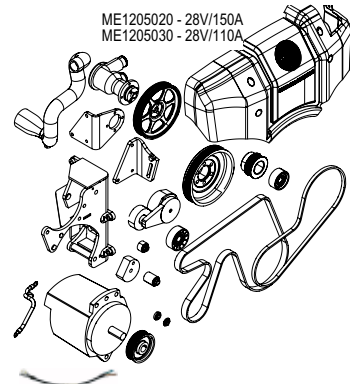

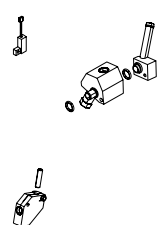

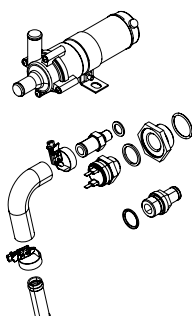

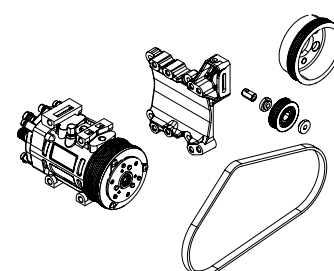

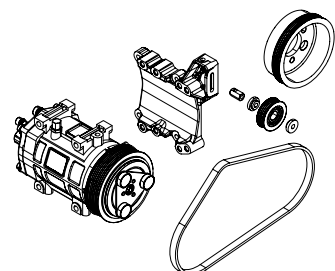

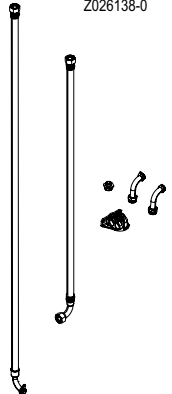




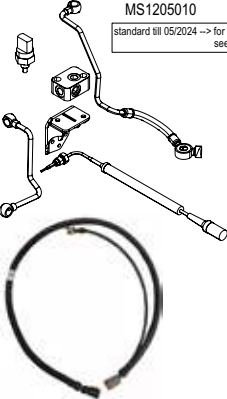

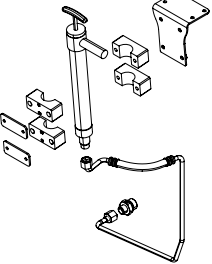



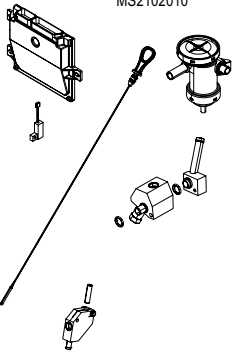



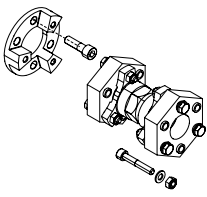

<p>Page 124</p> <p>ME1204050</p>  <p>* suitable for all SE 6 Cyl. Engines</p> 	<p>Page 126</p> <p>ME1312010</p>  <p>* suitable for all SE 6 Cyl. Engines ** suitable for: SE144E38 SE164E40</p> 	<p>Page 128</p> <p>ME2102010</p>  <p>* suitable for: SE286E40</p> 
<p>Page 130</p> <p>ME2102020</p>  <p>* suitable for: SE286E40</p> 	<p>Page 132</p> <p>ME1205020 - 28V/150A ME1205030 - 28V/110A</p>  <p>* suitable for all SE 6 Cyl. Engines</p> 	<p>Page 134</p> <p>MS1111020</p>  <p>* suitable for all SE 6 Cyl. Engines</p> 
<p>Page 136</p> <p>MS1111070</p>  <p>* suitable for all SE 6 Cyl. Engines</p> 	<p>Page 138</p> <p>MS1201010</p>  <p>* suitable for all SE 6 Cyl. Engines</p> 	<p>Page 140</p> <p>MS1201020</p>  <p>* suitable for all SE 6 Cyl. Engines</p> 



TABLE OF CONTENTS - SPARE PARTS CATALOGUE

<p>Page 142</p> <p>Z026138-0</p>  <p>* suitable for all SE 6 Cyl. Engines</p> 	<p>Page 144</p> <p>MS1206010</p> <p>ENGINE PAINT RAL 9010 (WHITE) 2,5kg</p> <p>* suitable for all SE 6 Cyl. Engines</p> 	<p>Page 146</p> <p>MS1203010</p>  <p>* suitable for all SE 6 Cyl. Engines</p> 
<p>Page 148</p> <p>MS1205010</p> <p>standard till 05/2024 -> for current standard see MS2402020</p>  <p>* suitable for all SE 6 Cyl. Engines</p> 	<p>Page 150</p> <p>MA1201020</p>  <p>* suitable for all SE 6 Cyl. Engines</p> 	<p>Page 152</p> <p>MS1302010</p>  <p>* suitable for all SE 6 Cyl. Engines</p> <p>** suitable for: SE144E38 SE164E40</p> 
<p>Page 154</p> <p>MS2102010</p>  <p>* suitable for: SE286E40</p> 	<p>Page 156</p> <p>ME1111010</p>  <p>* suitable for all SE 6 Cyl. Engines</p> <p>** suitable for: SE144E38 SE164E40</p> 	<p>Page 158</p> <p>MA2108020</p>  <p>* suitable for all SE 6 Cyl. Engines</p> 







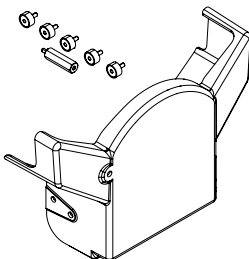



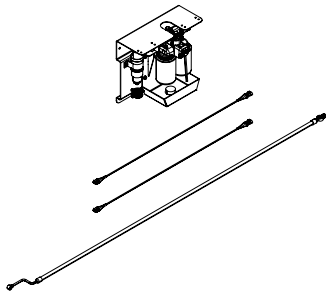




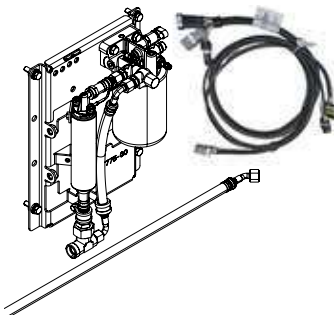

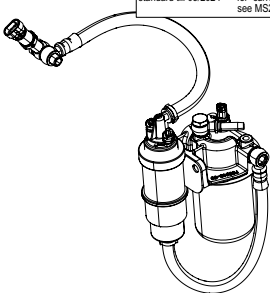

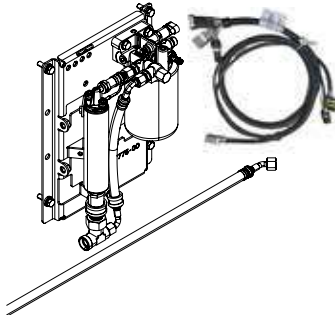

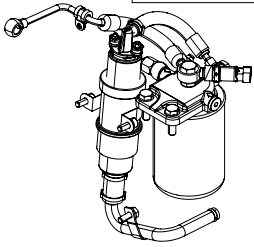

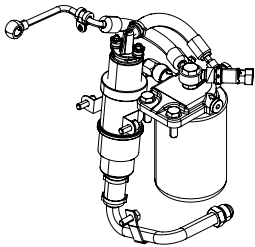

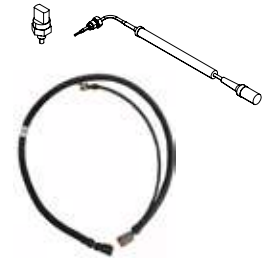

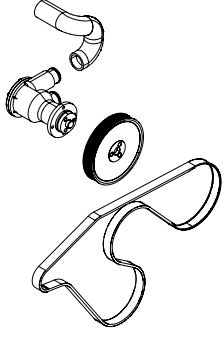

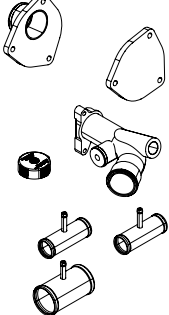

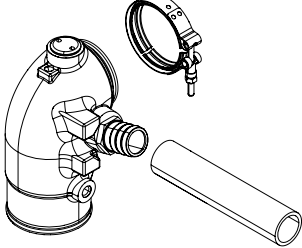

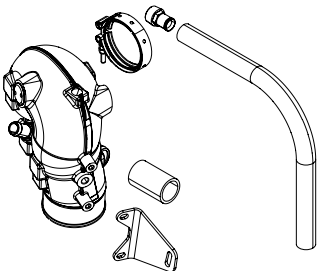

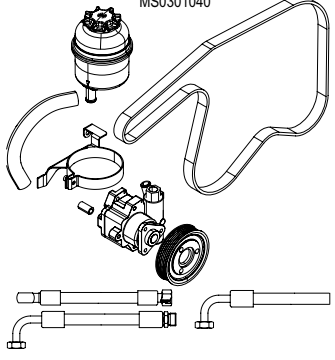

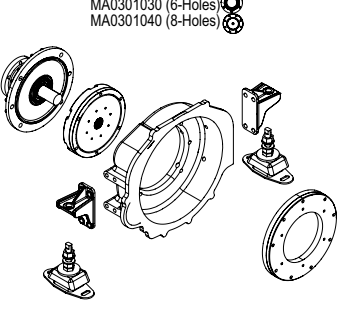

<p>Page 160</p> <p>ME1308020</p>  <p>* suitable for all SE 6 Cyl. Engines ** suitable for: SE144E38 SE164E40</p> 	<p>Page 162</p> <p>MS1410040</p>  <p>* suitable for all SE 6 Cyl. Engines</p> 	<p>Page 164</p> <p>ME1411030</p>  <p>* suitable for all SE 6 Cyl. Engines ** suitable for: SE144E38 SE164E40</p> 
<p>Page 166</p> <p>MS1607010</p>  <p>* suitable for all SE 6 Cyl. Engines</p> 	<p>Page 168</p> <p>MS1711010</p>  <p>* suitable for all SE 6 Cyl. Engines except SE286E40 and SE306J38 ** suitable for: SE144E38 SE164E40</p> 	<p>Page 170</p> <p>MS1807010</p> <p>SPEZIAL WINTER DIESEL (225 LITER)</p> <p>* suitable for all SE 6 Cyl. Engines ** suitable for: SE144E38 SE164E40</p> 
<p>Page 172</p> <p>MS2301010</p>  <p>** suitable for: SE144E38 SE164E40</p> 	<p>Page 174</p> <p>MS2301030</p> <p>standard till 05/2024 --> for current standard see MS2301010</p>  <p>** suitable for: SE144E38 SE164E40</p> 	<p>Page 176</p> <p>MS2301020</p>  <p>* suitable for all SE 6 Cyl. Engines</p> 



TABLE OF CONTENTS - SPARE PARTS CATALOGUE

<p>Page 178</p> <p>MS2301040 standard till 05/2024 --> for current standard see MS2301020</p>  <p>* suitable for all SE 6 Cyl. Engines</p> 	<p>Page 180</p> <p>MS2402010</p>  <p>* suitable for specific SE 6 Cyl. Engine applications</p> 	<p>Page 182</p> <p>MS2402020</p>  <p>* suitable for all SE 6 Cyl. Engines</p> 
<p>Page 184</p> <p>MS0301070</p>  <p>** suitable for: SE144E38 SE164E40</p> 	<p>Page 186</p> <p>MS0906040</p>  <p>** suitable for: SE144E38 SE164E40</p> 	<p>Page 188</p> <p>MS1412020</p>  <p>** suitable for: SE144E38 SE164E40</p> 
<p>Page 190</p> <p>MS1410010</p>  <p>** suitable for: SE144E38 SE164E40</p> 	<p>Page 192</p> <p>MS0301040</p>  <p>** suitable for: SE144E38 SE164E40</p> 	<p>Page 194</p> <p>MA0301030 (6-Holes) MA0301040 (8-Holes)</p>  <p>** suitable for: SE144E38 SE164E40</p> 





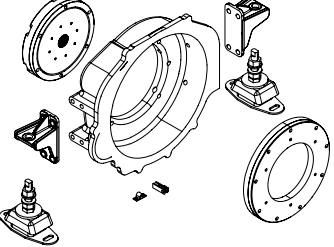

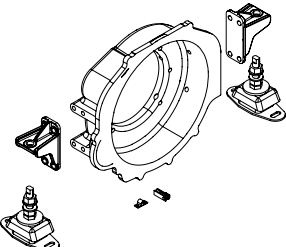

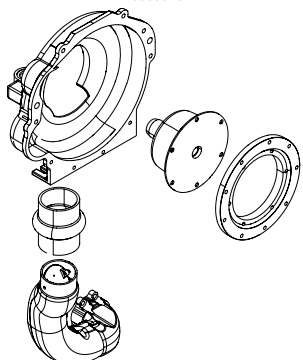

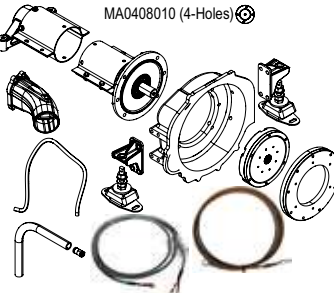

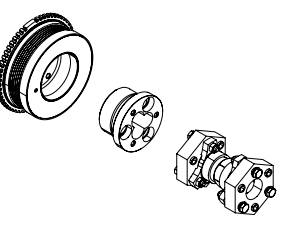

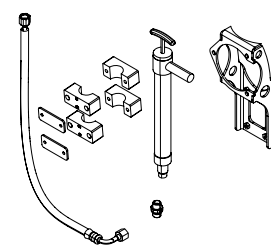





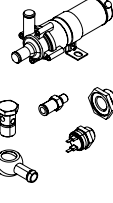





<p>Page 196</p> <p>MS0403010</p>  <p>** suitable for: SE144E38 SE164E40</p> 	<p>Page 198</p> <p>MS0710010</p>  <p>** suitable for: SE144E38 SE164E40</p> 	<p>Page 200</p> <p>MA0308020</p>  <p>** suitable for: SE144E38 SE164E40</p> 
<p>Page 202</p> <p>MA0408010 (4-Holes) Ⓢ</p>  <p>** suitable for: SE144E38 SE164E40</p> 	<p>Page 204</p> <p>MA2108010</p>  <p>** suitable for: SE144E38 SE164E40</p> 	<p>Page 206</p> <p>MA0903020</p>  <p>** suitable for: SE144E38 SE164E40</p> 
<p>Page 208</p> <p>MS0301010</p>  <p>** suitable for: SE144E38 SE164E40</p> 	<p>Page 210</p> <p>MS0303180</p>  <p>** suitable for: SE144E38 SE164E40</p> 	<p>Page 212</p> <p>MS0807010</p>  <p>** suitable for: SE144E38 SE164E40</p> 



TABLE OF CONTENTS - SPARE PARTS CATALOGUE	STEYR MARINE 
--	--

Page 214	Page 216	
<p style="text-align: center;">MS1008010</p> <div style="border: 1px solid black; padding: 2px; margin: 10px auto; width: 80%;">ENGINE PAINT RAL 9010 (WHITE) 2kg</div> <div style="border: 1px solid black; padding: 2px; margin: 10px auto; width: 80%; color: red; font-size: small;">** suitable for: SE144E38 SE164E40</div> <div style="text-align: right; margin-top: 10px;"></div>	<p style="text-align: center;">MS1702010</p> <div style="text-align: center; margin: 10px 0;">  8x  4x </div> <div style="border: 1px solid black; padding: 2px; margin: 10px auto; width: 80%; color: red; font-size: small;">* suitable for all SE 6 Cyl. Engines</div> <div style="text-align: right; margin-top: 10px;"></div>	



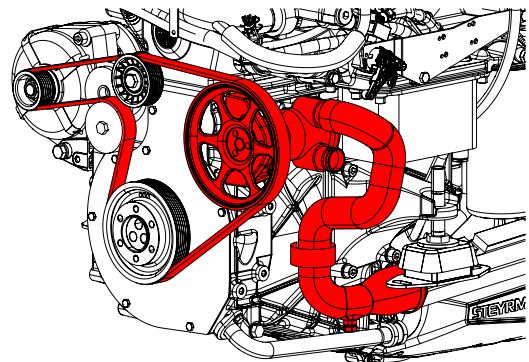
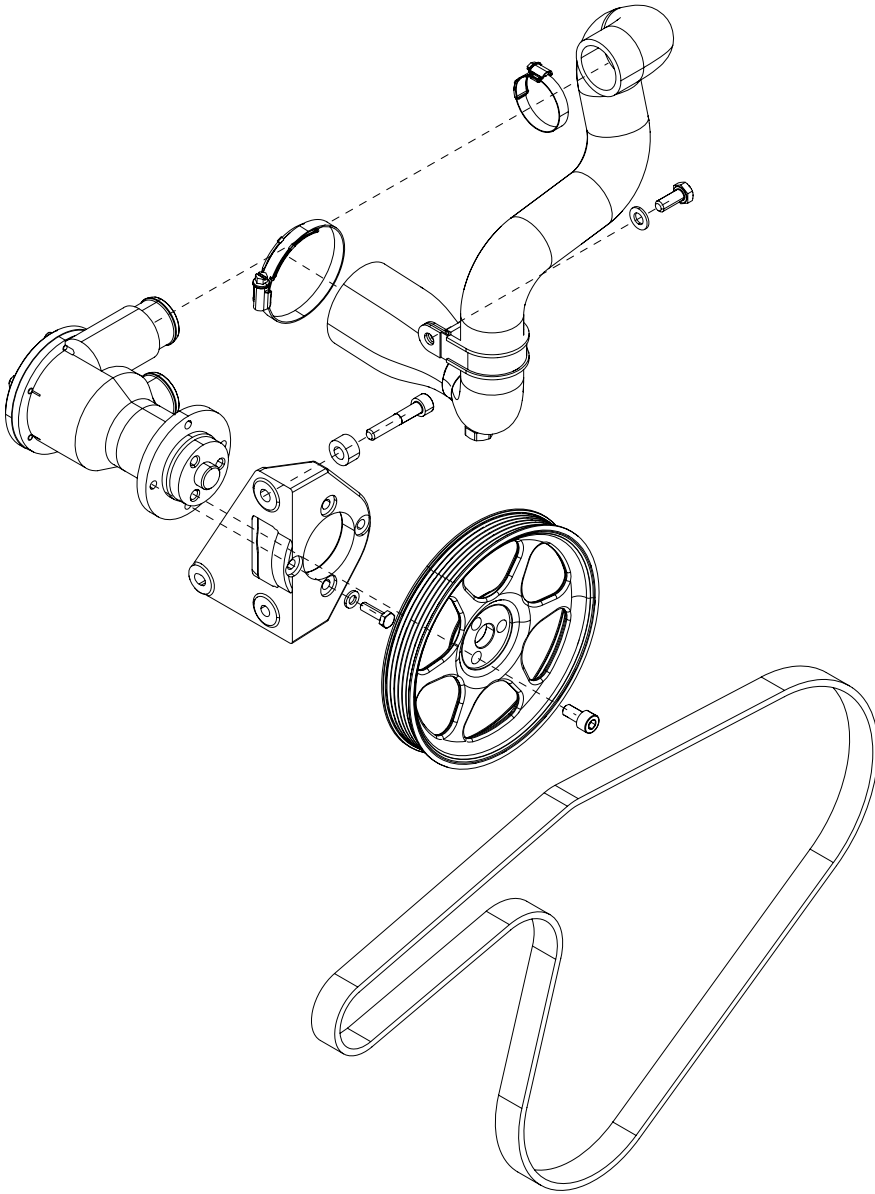


TA 0510

STEYR MARINE
OPTION

KIT RAW-WATER PUMP SE 6 CYL.

MS1107040



* suitable for all SE 6 Cyl. Engines



KIT RAW-WATER PUMP SE 6 CYL.

STEYR MARINE
**OPTION**

Pos.	Part.-No.	Qty	Designation	Step



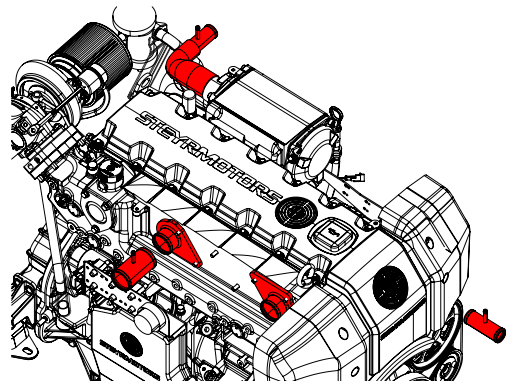
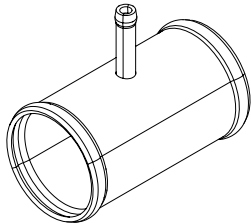
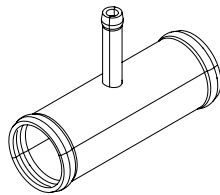
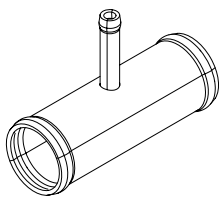
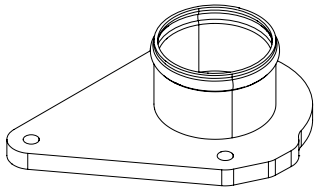
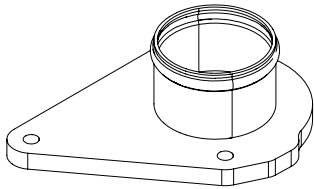
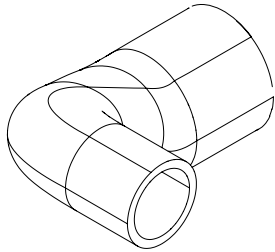


TA 0509

STEYR MARINE
OPTION


KIT PREPARATION KEEL COOLING 6 CYL.

MS1111050



* suitable for all SE 6 Cyl. Engines



KIT PREPARATION KEEL COOLING 6 CYL.	STEYR MARINE  OPTION
--	--

Pos.	Part.-No.	Qty	Designation	Step



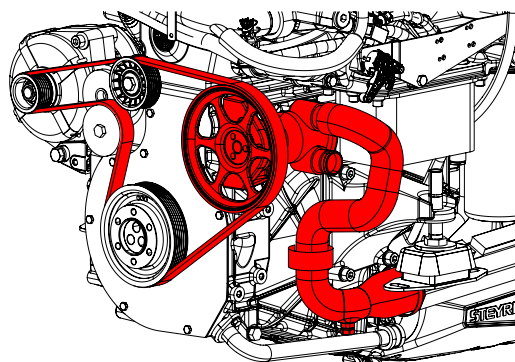
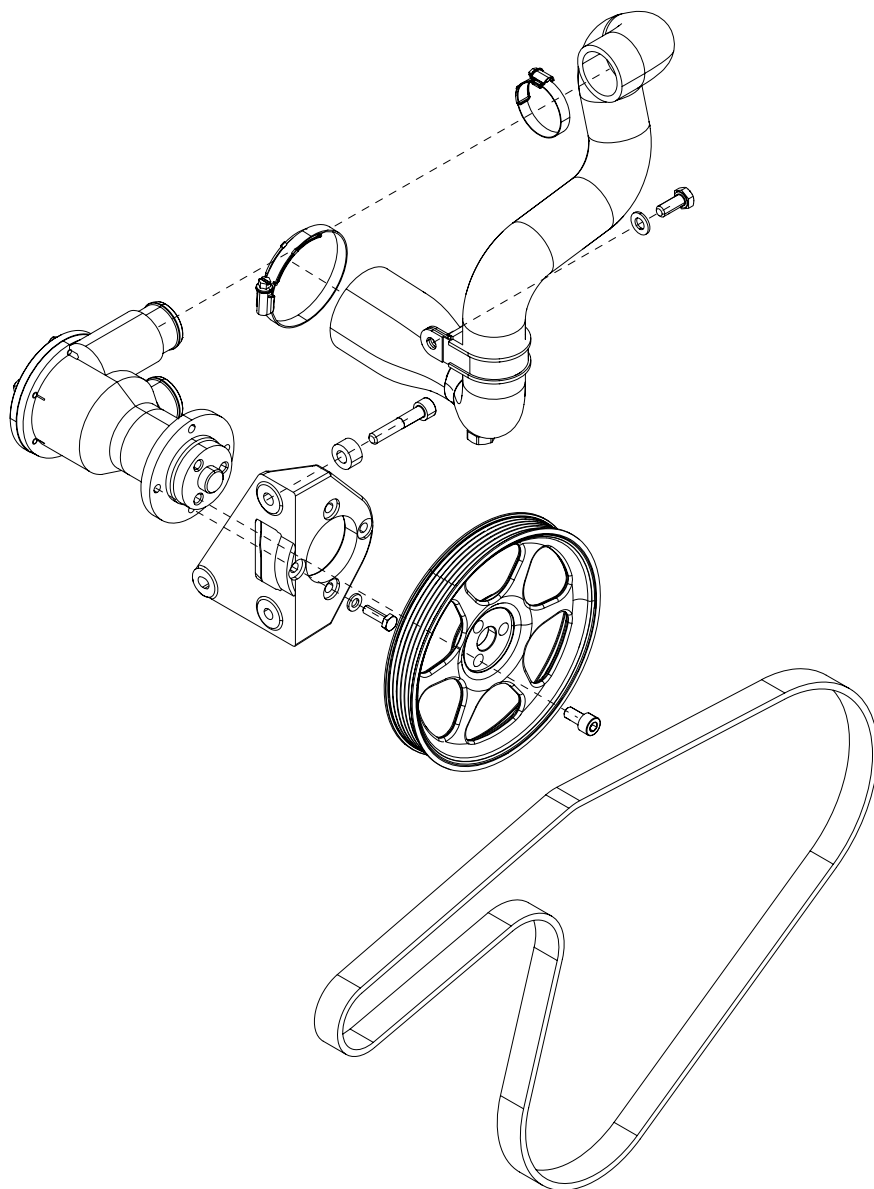


TA 0510

STEYR MARINE
OPTION

KIT IMPELLER DRY RUN IMPROVEM. SE 6 CYL.

MS1412010



* suitable for all SE 6 Cyl. Engines



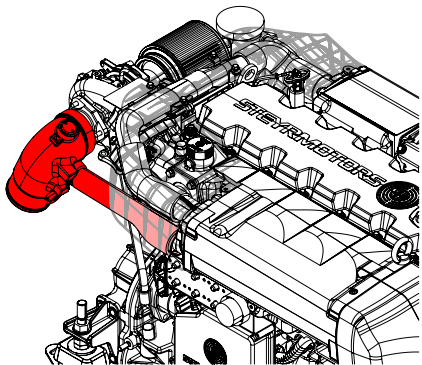
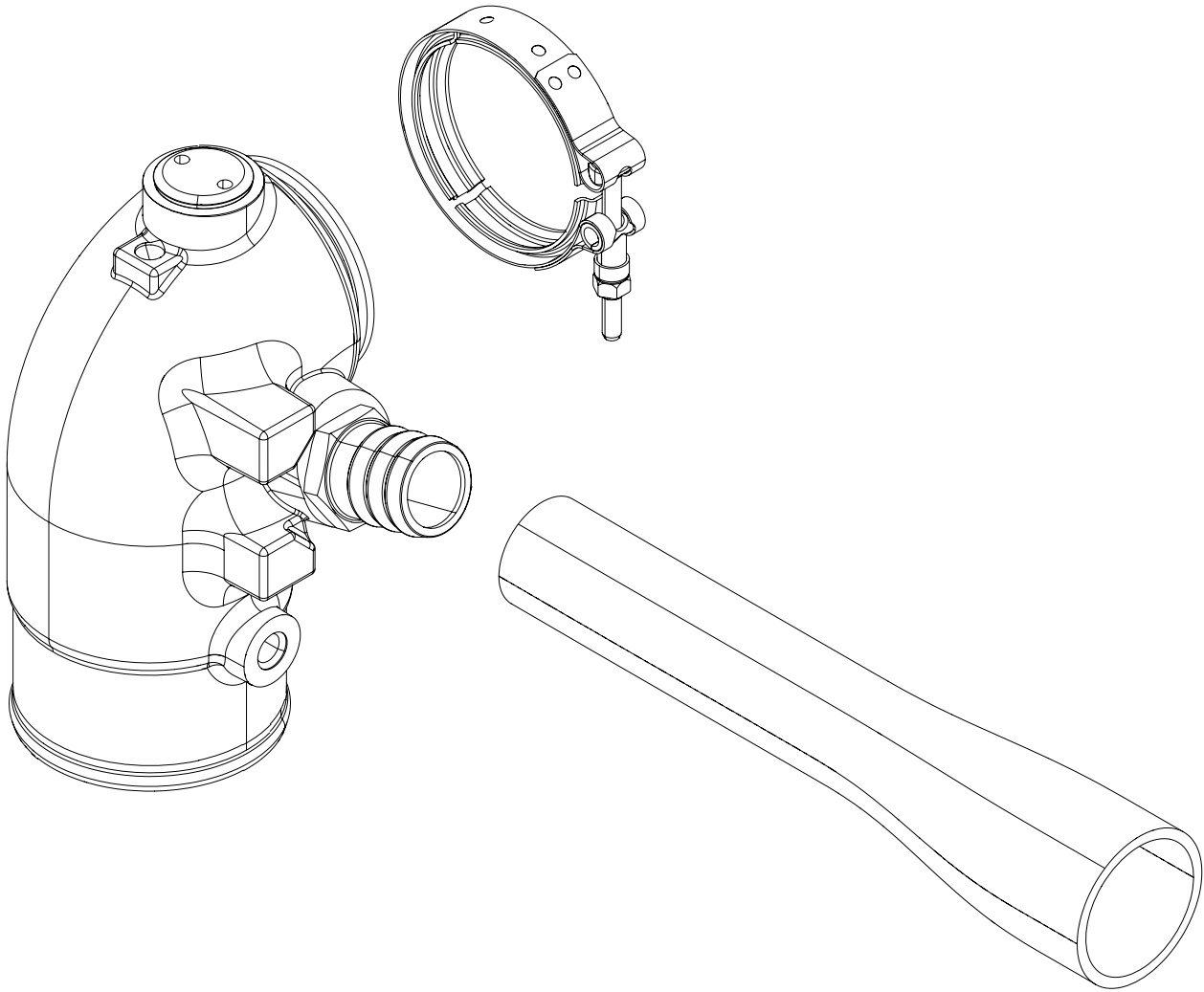


TA 0401

STEYR MARINE
OPTION

KIT EXHAUST ELBOW 90° PIV. 90MM 3.5 INCH

MS1107050



* suitable for SE236S36



KIT EXHAUST ELBOW 90° PIV. 90MM 3.5 INCH

STEYR MARINE
 **OPTION**

Pos.	Part.-No.	Qty	Designation	Step



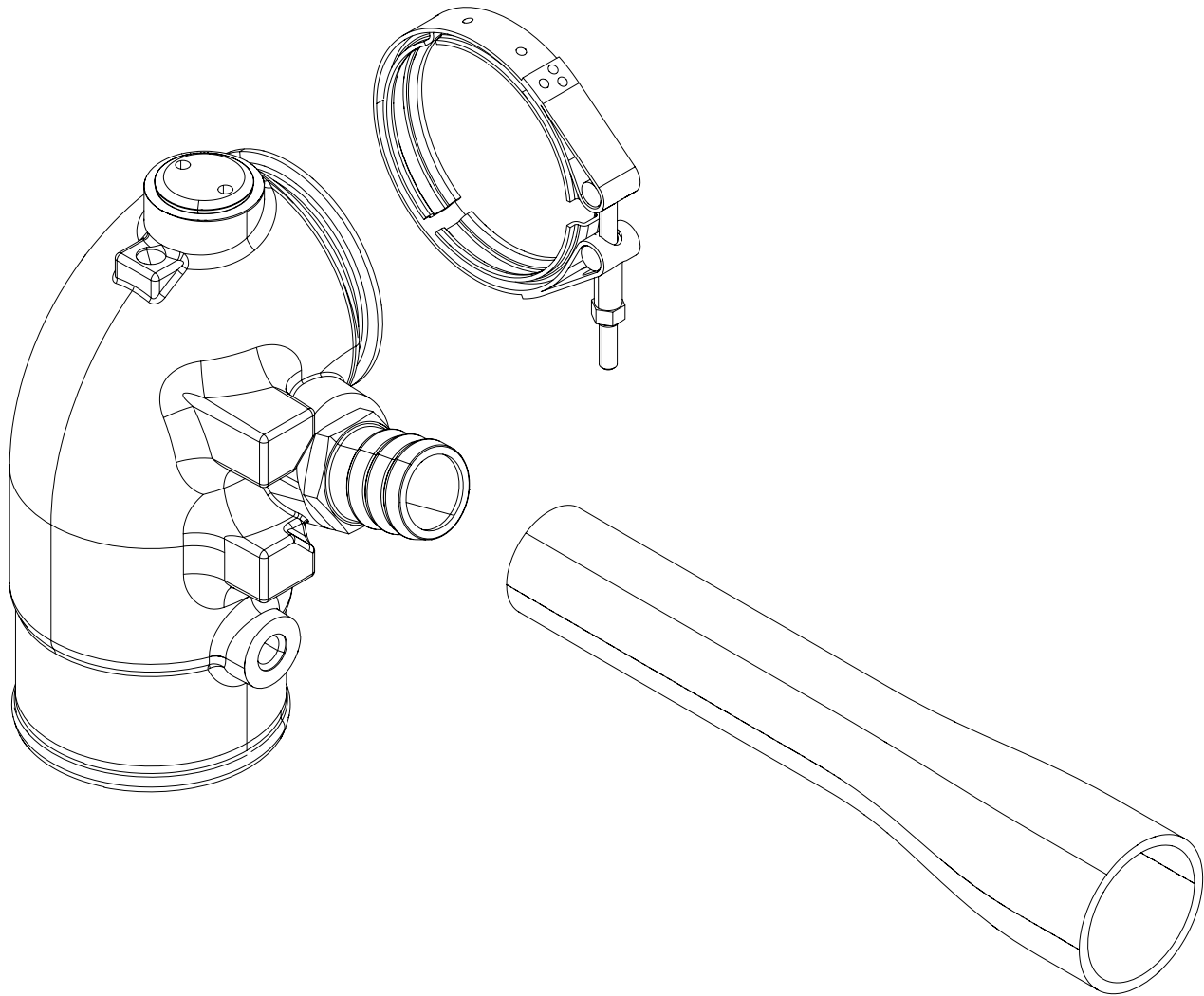


TA 0401

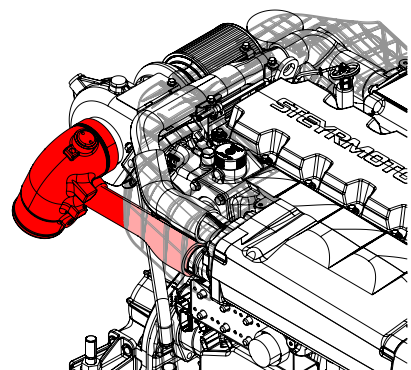
STEYR MARINE
OPTION

KIT EXHAUST ELBOW 90° PIV. 90MM 3.5 INCH

MS1107060



* suitable for: SE126E32
SE156E34
SE186E38
SE236E40



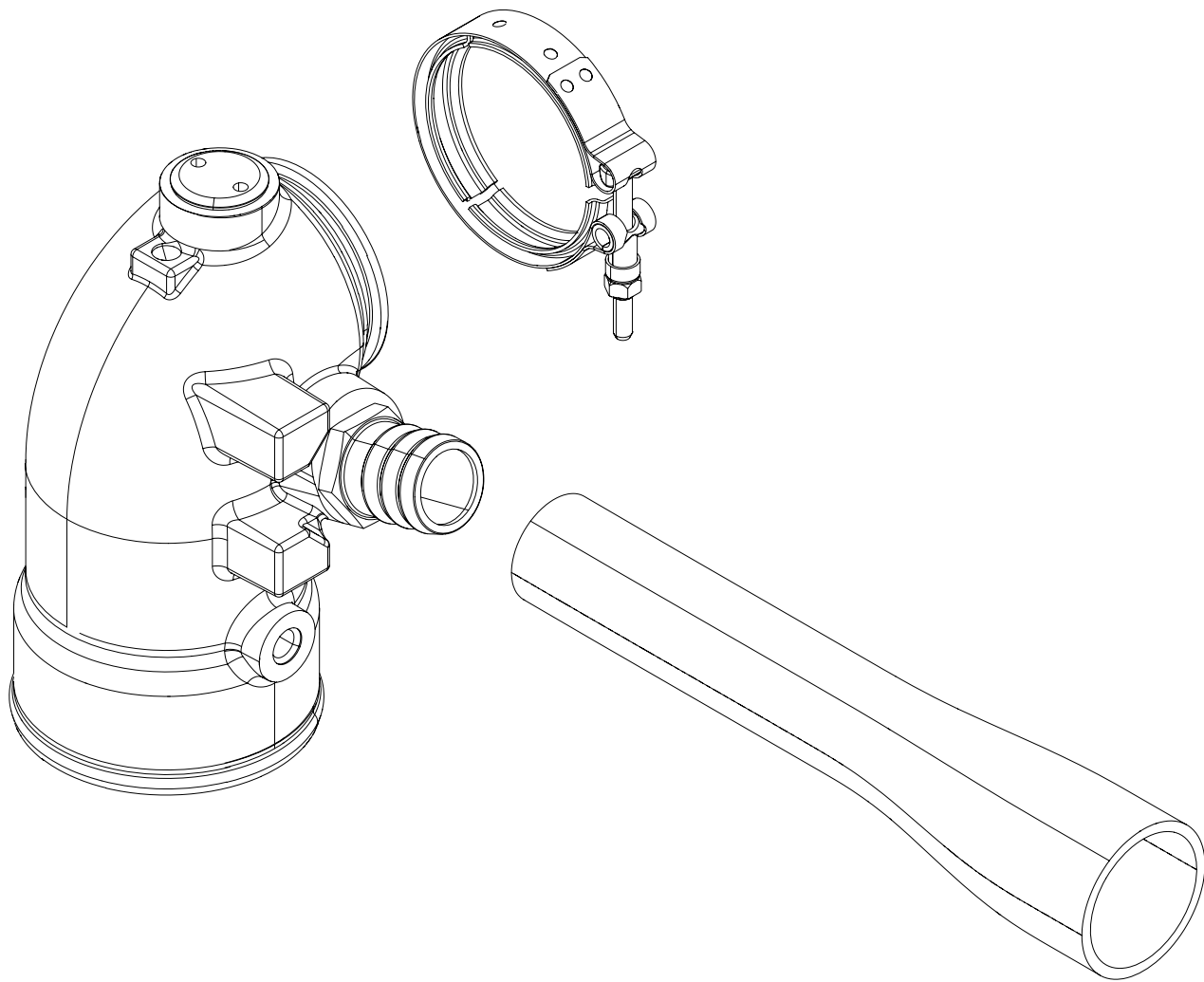


TA 0401

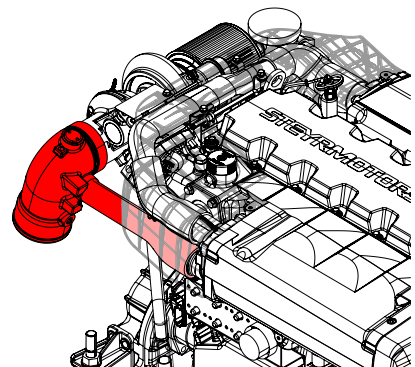
STEYR MARINE
OPTION

KIT EXHAUST ELBOW 90° PIV. 102MM 4 INCH

MS1107070



* suitable for: SE266E40
SE266S36
SE286E40
SE306J38





KIT EXHAUST ELBOW 90° PIV. 102MM 4 INCH	STEYR MARINE OPTION
---	--------------------------------------

Pos.	Part.-No.	Qty	Designation	Step



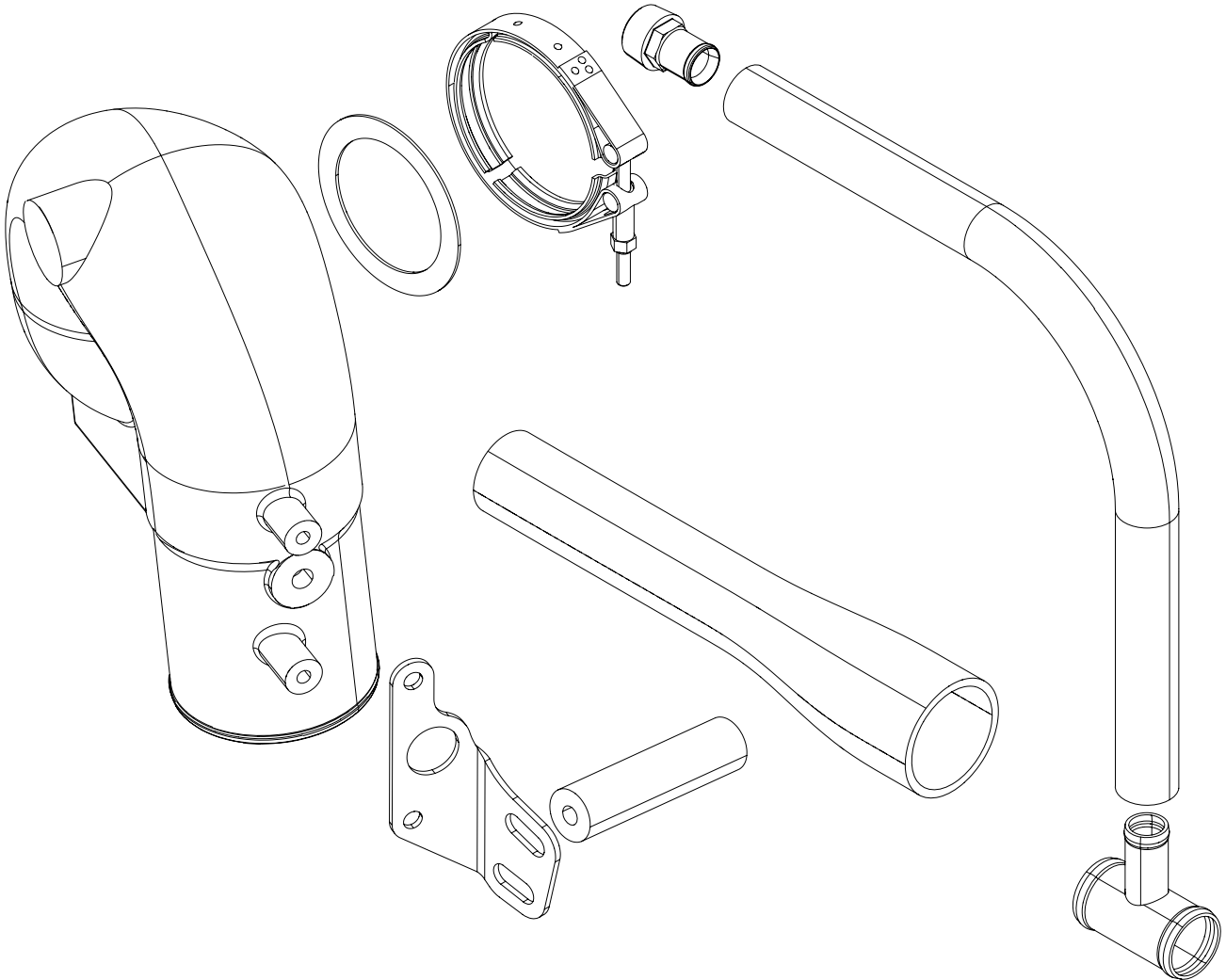


TA 0401

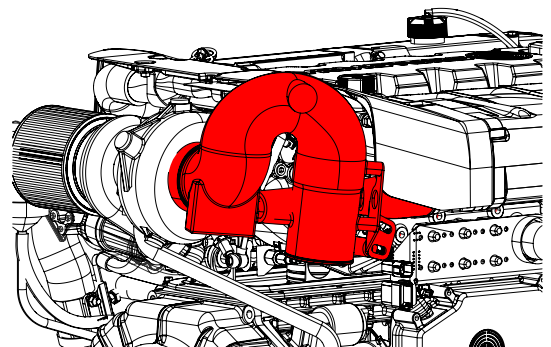
STEYR MARINE
OPTION

KIT HIGH-RISER STERN DRIVE 90MM 3.5 INCH

MS1111030



* suitable for: SE126E32
SE156E34
SE186E38
SE236E40



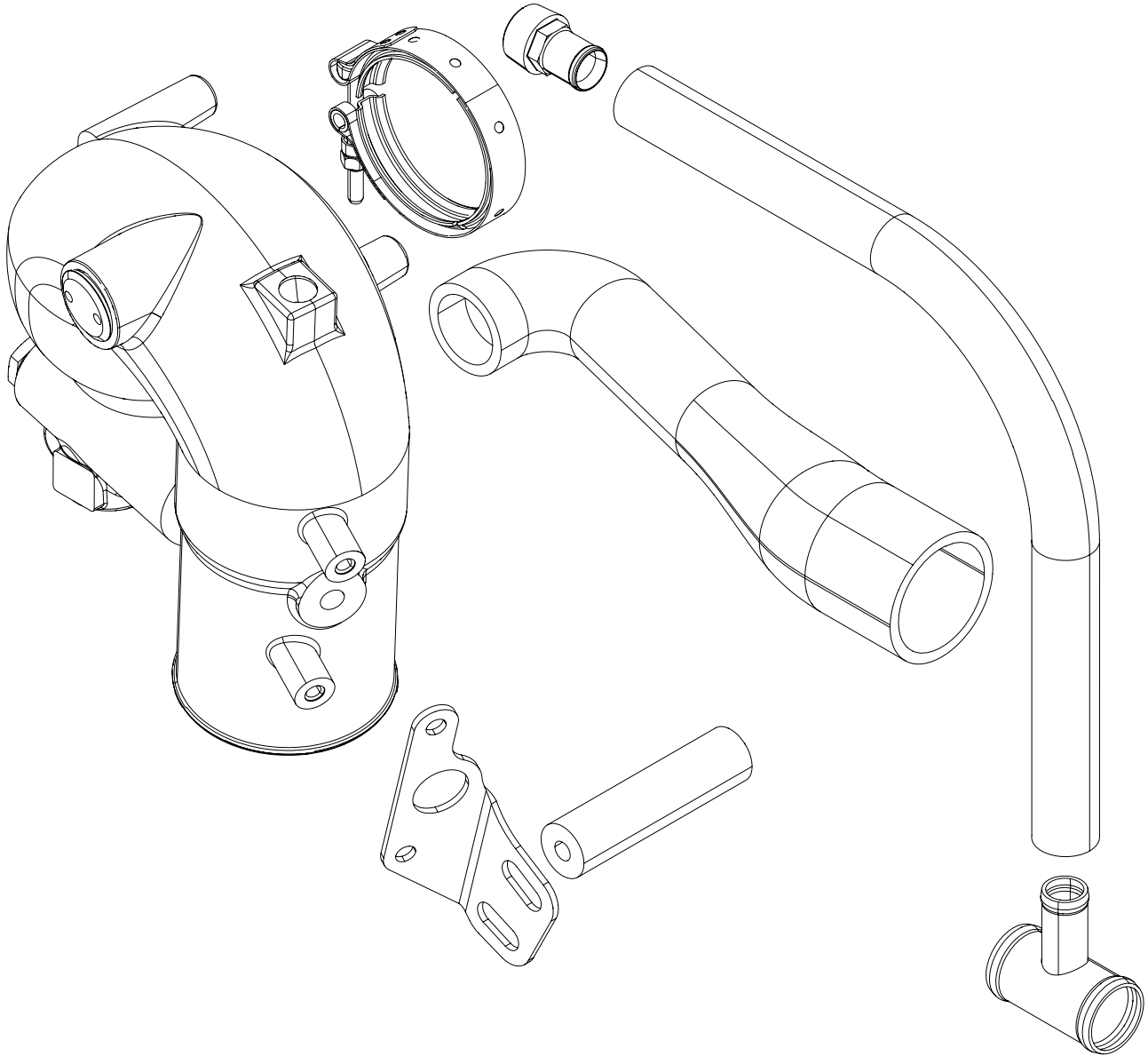


TA 0401

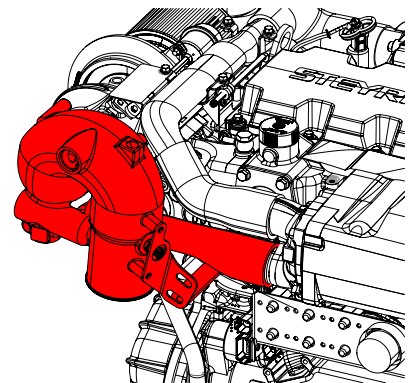
STEYR MARINE
OPTION

KIT HIGH-RISER STERN DRIVE 90MM 3.5 INCH

MS1203020



* suitable for: SE236S36
SE266E40
SE266S36
SE286E40
SE306J38





TA 0607

STEYR MARINE
OPTION

PANEL WITH CABLE

- ME1307010 - CABLE 7m
- ME1307020 - CABLE 1.5m
- ME1307030 - CABLE 2.5m



* suitable for all SE 6 Cyl. Engines

** suitable for: SE144E38
SE164E40



PANEL WITH CABLE	STEYR  MARINE OPTION
-------------------------	--

Pos.	Part.-No.	Qty	Designation	Step





TA 0609

STEYR MARINE
OPTION

PANEL WITH CABLE 1.5M + 5M SOLAS

ME1307040



* suitable for all SE 6 Cyl. Engines

** suitable for: SE144E38
SE164E40



PANEL WITH CABLE 1.5M + 5M SOLAS

STEYR MARINE
OPTION

Pos.	Part.-No.	Qty	Designation	Step





TA 0609

STEYR MARINE
OPTION

PANEL WITH CABLE 1.5 METER SOLAS

ME1307050



* suitable for all SE 6 Cyl. Engines

** suitable for: SE144E38
SE164E40



<p>PANEL WITH CABLE 1.5 METER SOLAS</p>	<p>STEYR MARINE  OPTION</p>
--	--

Pos.	Part.-No.	Qty	Designation	Step



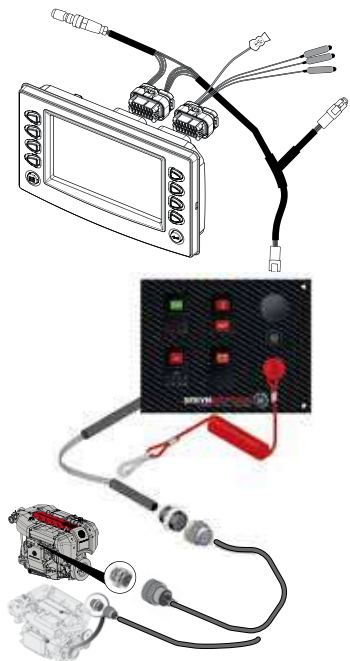


TA 0611

STEYR MARINE
OPTION

SWITCH PANEL (FOR SCC-DISPLAY)

ME0909040



* suitable for all SE 6 Cyl. Engines

** suitable for: SE144E38
SE164E40



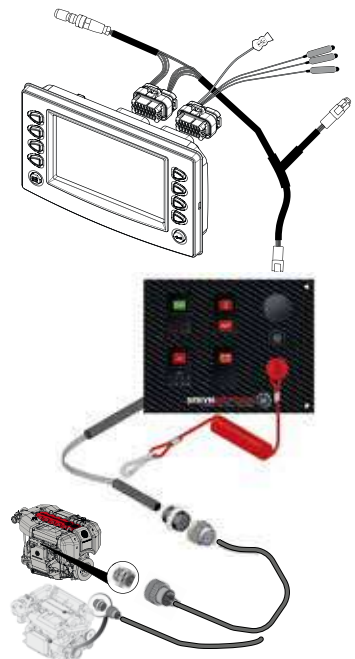


TA 0612

STEYR MARINE
OPTION

PUSH BUTTON PANEL SOLAS (SCC-DISPLAY)

ME0909050



* suitable for all SE 6 Cyl. Engines

** suitable for: SE144E38
SE164E40



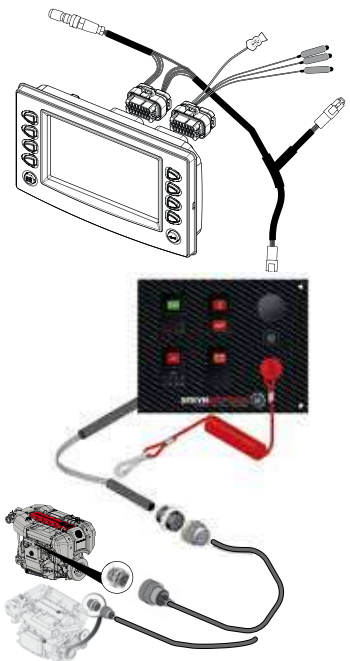


TA 0610

STEYR MARINE
OPTION

KIT STEYR CONTROL CENTER 2

ME1503010 - KIT STEYR CONTROL CENTER 2 (0.6m CABLE)
ME1504010 - KIT STEYR CONTROL CENTER 2 (1.5m CABLE)



* suitable for all SE 6 Cyl. Engines

** suitable for: SE144E38
SE164E40



KIT STEYR CONTROL CENTER 2	STEYR MARINE  OPTION
-----------------------------------	---

Pos.	Part.-No.	Qty	Designation	Step





TA 0613

STEYR MARINE
OPTION

EXTENSION CABLE FOR PANEL

ME0301050 - 6.3m
ME0301060 - 10m
ME1309010 - 2.5m



* suitable for all SE 6 Cyl. Engines

** suitable for: SE144E38
SE164E40





TA 0613

STEYR MARINE
OPTION

INTERM. CABLE PANEL (F. SOLAS PANEL)

ME0301040 - 5m
ME0912010 - 10m



* suitable for all SE 6 Cyl. Engines

** suitable for: SE144E38
SE164E40



INTERM. CABLE PANEL (F. SOLAS PANEL)	STEYR MARINE  OPTION
---	--

Pos.	Part.-No.	Qty	Designation	Step



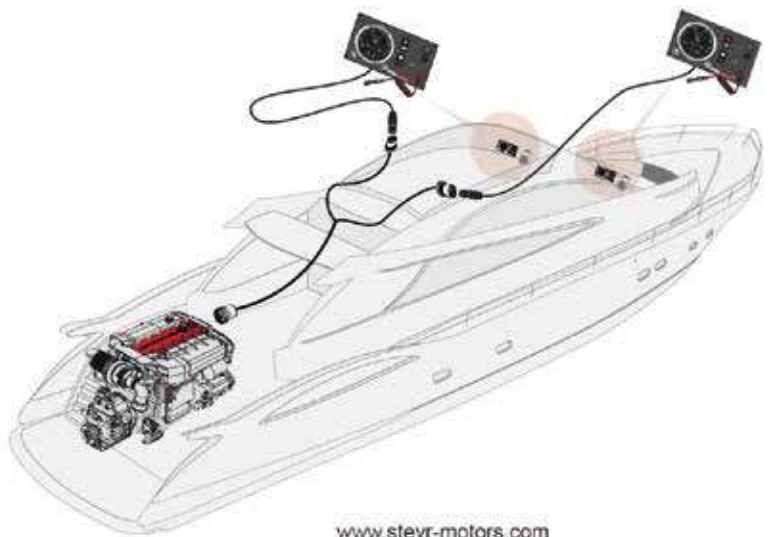


TA 0613

STEYR MARINE
OPTION

KIT Y-CABLE FLY-BRIDGE (2022)

ME2202010



**** suitable for: SE144E38
SE164E40**

*** suitable for all SE 6 Cyl. Engines**



KIT Y-CABLE FLY-BRIDGE (2022)

STEYR MARINE
OPTION

Pos.	Part.-No.	Qty	Designation	Step



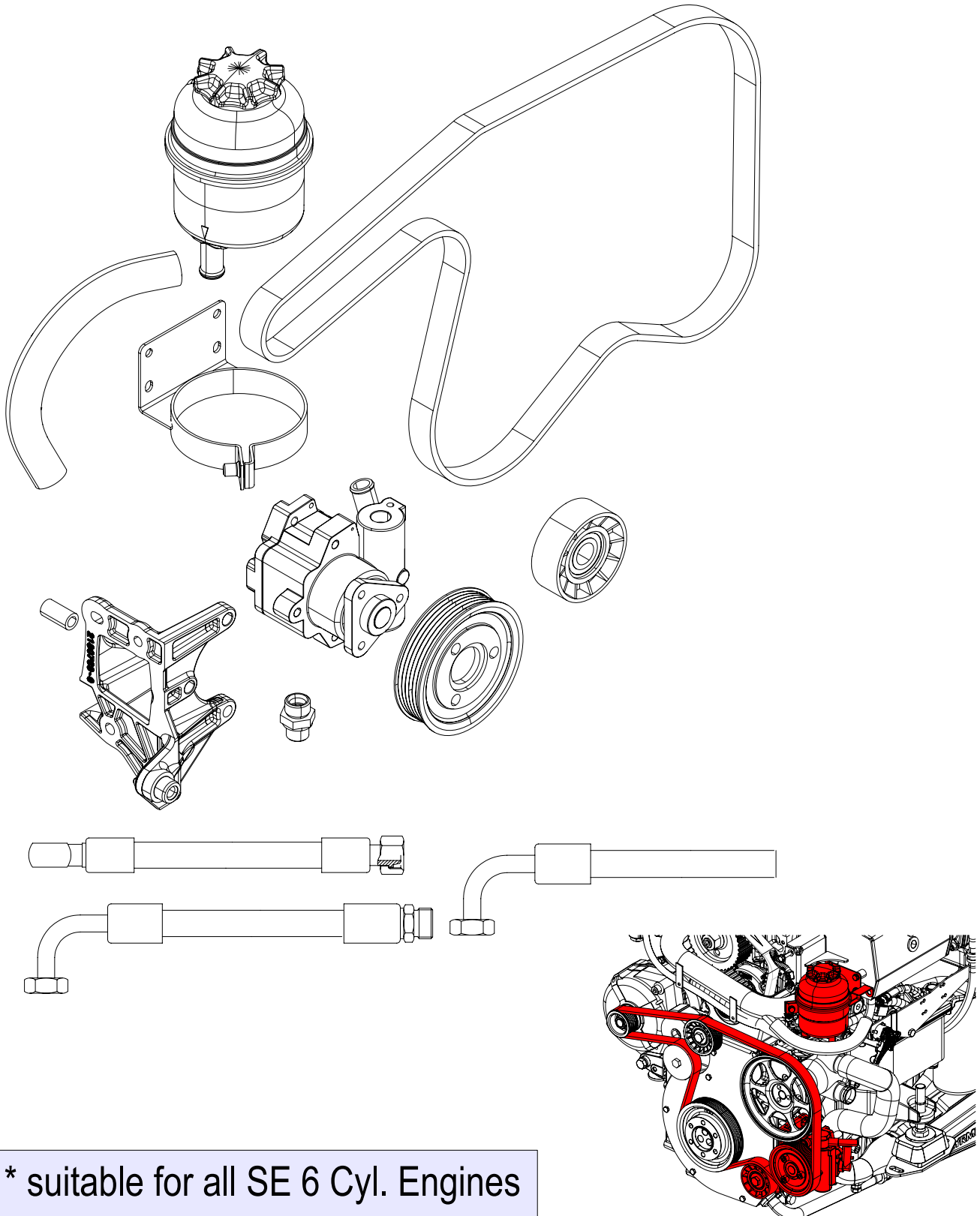


TA 1408

STEYR MARINE
OPTION

KIT HYDRAULIC PUMP 6 CYL.

MS1111010



* suitable for all SE 6 Cyl. Engines



KIT HYDRAULIC PUMP 6 CYL.	STEYR MARINE 
---------------------------	--

Pos.	Part.-No.	Qty	Designation	Step



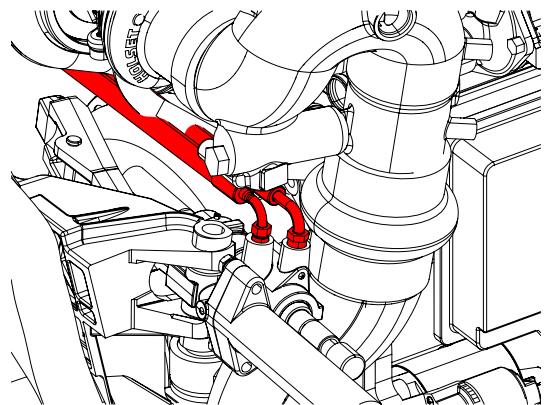
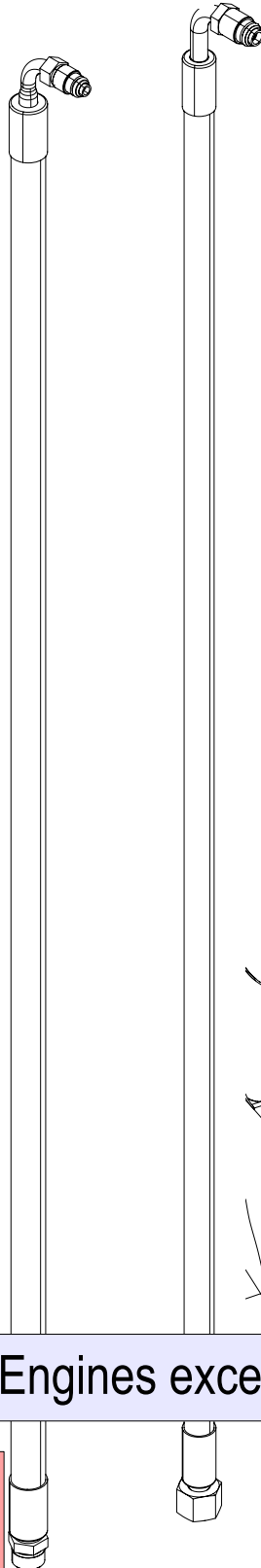


TA 1409

STEYR MARINE
OPTION

KIT HYDR.ADA. HOSES BRAVO THREAD INTERF.


MA2010010



* suitable for all SE 6 Cyl. Engines except SE306J38

** suitable for: SE144E38
SE164E40



KIT HYDR.ADA. HOSES BRAVO THREAD INTERF.	STEYR MARINE  OPTION
---	--

Pos.	Part.-No.	Qty	Designation	Step



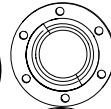


TA 0701

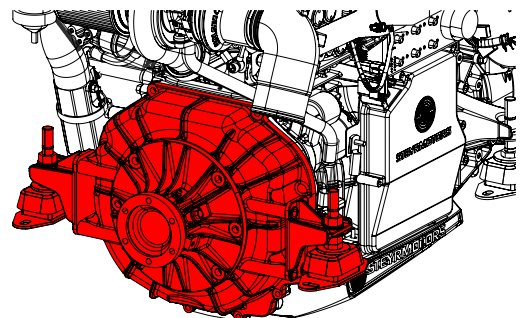
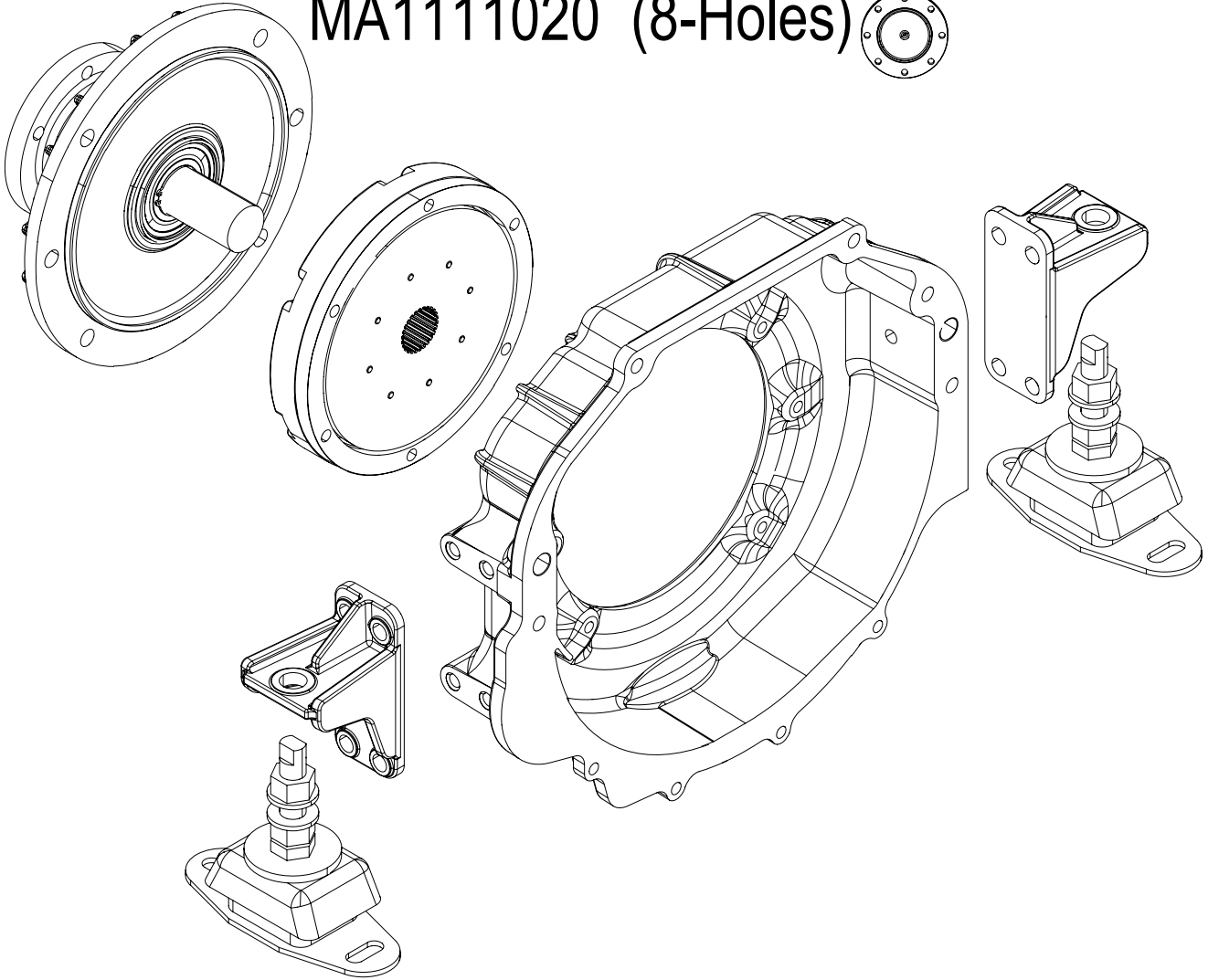
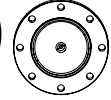
STEYR MARINE
OPTION

PROP.ADAP.F. SLIDING SHAFT 210MM

MA1111010 (6-Holes)



MA1111020 (8-Holes)



* suitable for all SE 6 Cyl. Engines



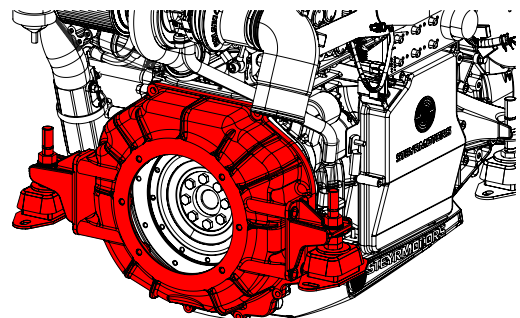
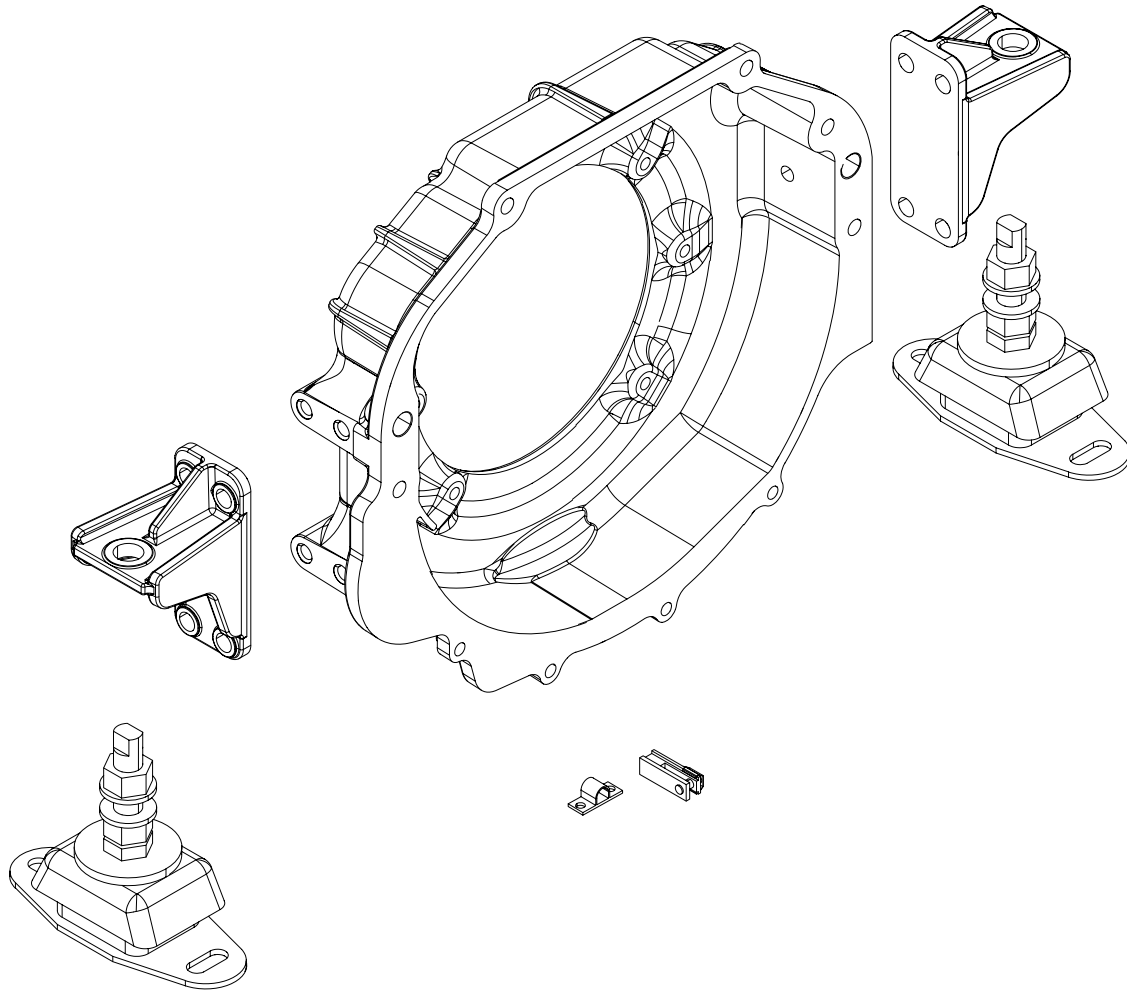


TA 0103

STEYR MARINE
OPTION

KIT BOBTAIL 6 CYL. (W/O COUPLING)

MS1107010



* suitable for all SE 6 Cyl. Engines



KIT BOBTAIL 6 CYL. (W/O COUPLING)

STEYR MARINE
 **OPTION**

Pos.	Part.-No.	Qty	Designation	Step



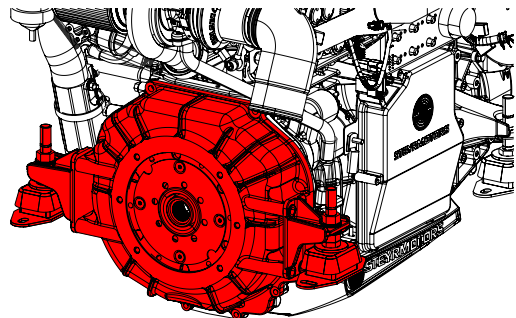
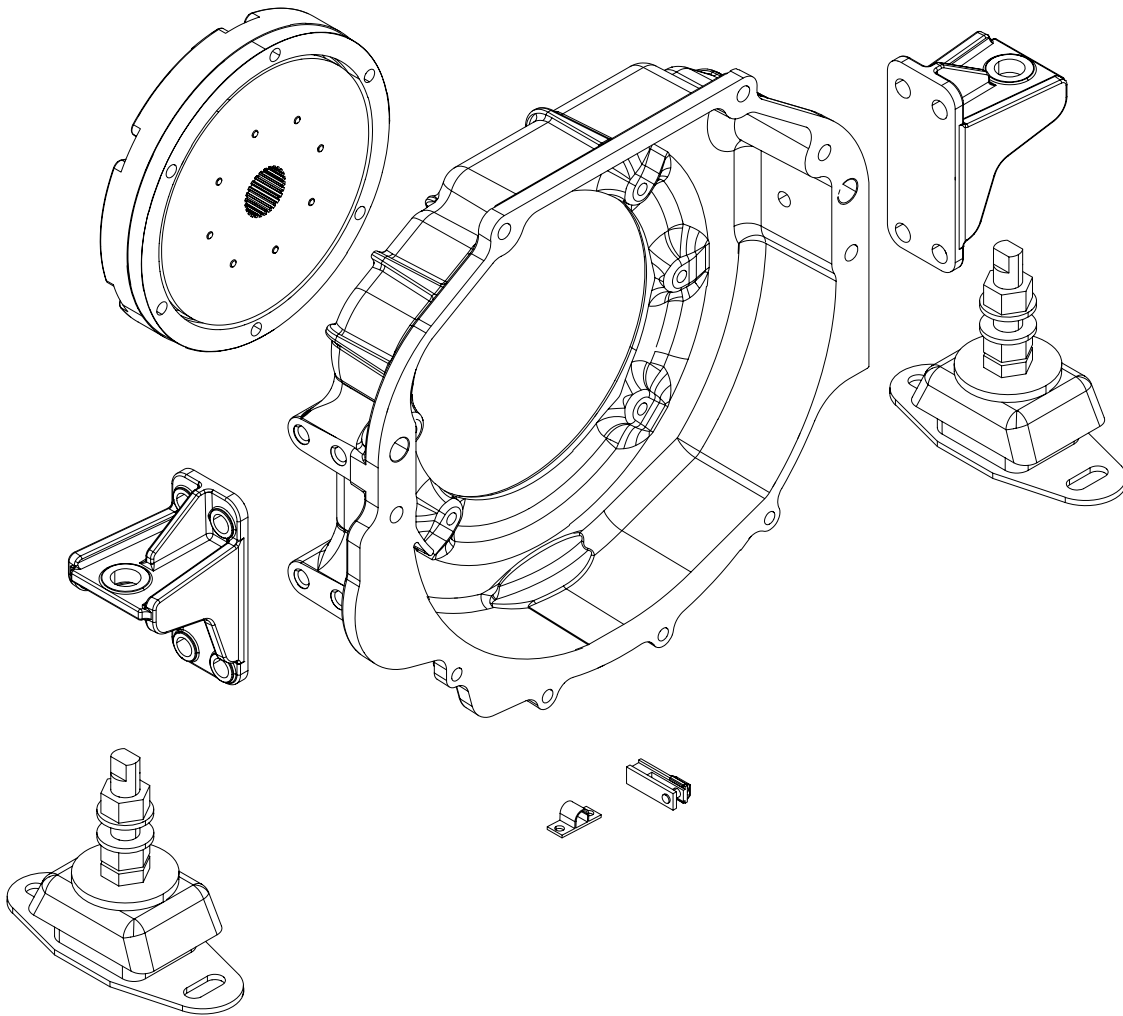


TA 0200

STEYR MARINE
OPTION

KIT BOBTAIL WITH COUPLING (6 CYL.)

MS1107020



* suitable for all SE 6 Cyl. Engines



KIT BOBTAIL WITH COUPLING (6 CYL.)

STEYR MARINE
OPTION

Pos.	Part.-No.	Qty	Designation	Step



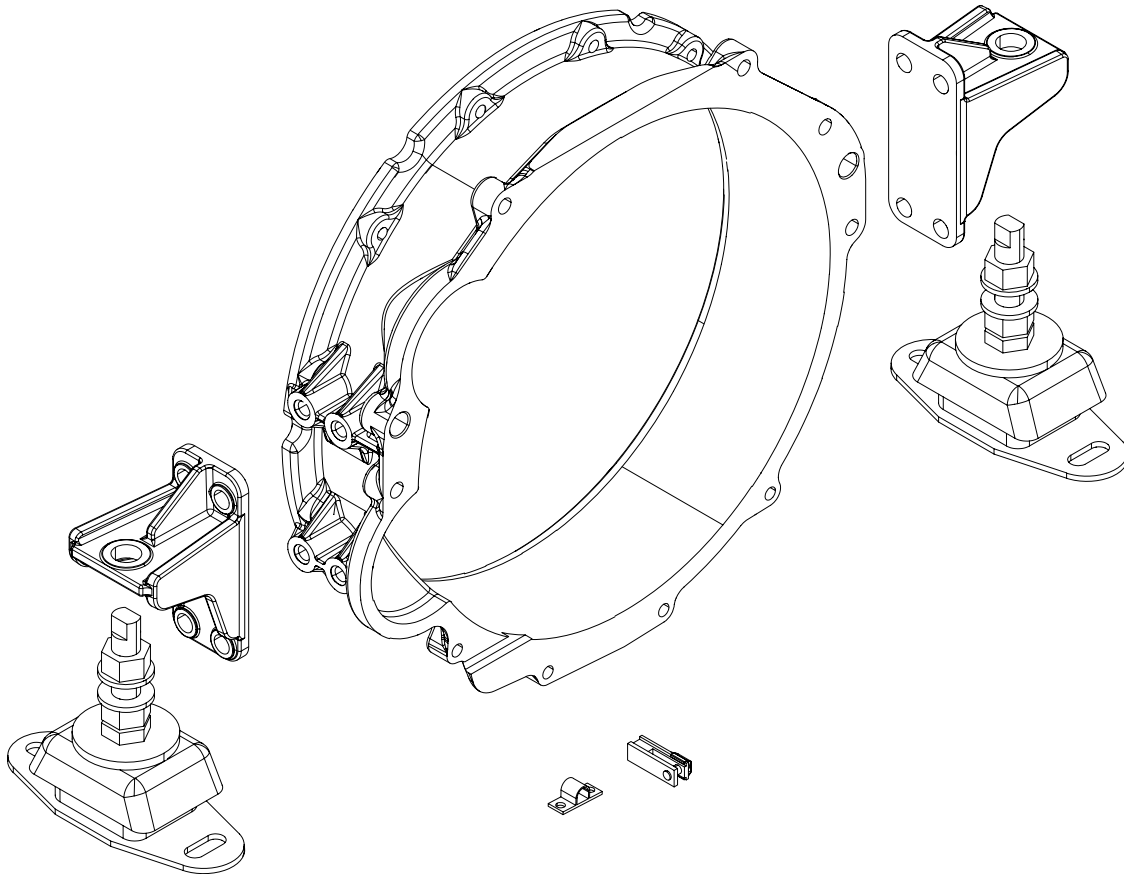


TA 0103

STEYR MARINE
OPTION

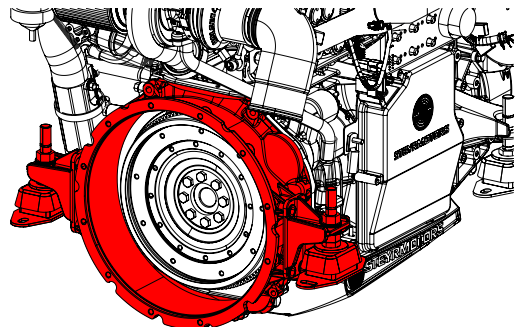
KIT SAE 4 WITHOUT COUPLER

MS1410050



* suitable for all SE 6 Cyl. Engines

** suitable for: SE144E38
SE164E40



KIT SAE 4 WITHOUT COUPLER



Pos.	Part.-No.	Qty	Designation	Step



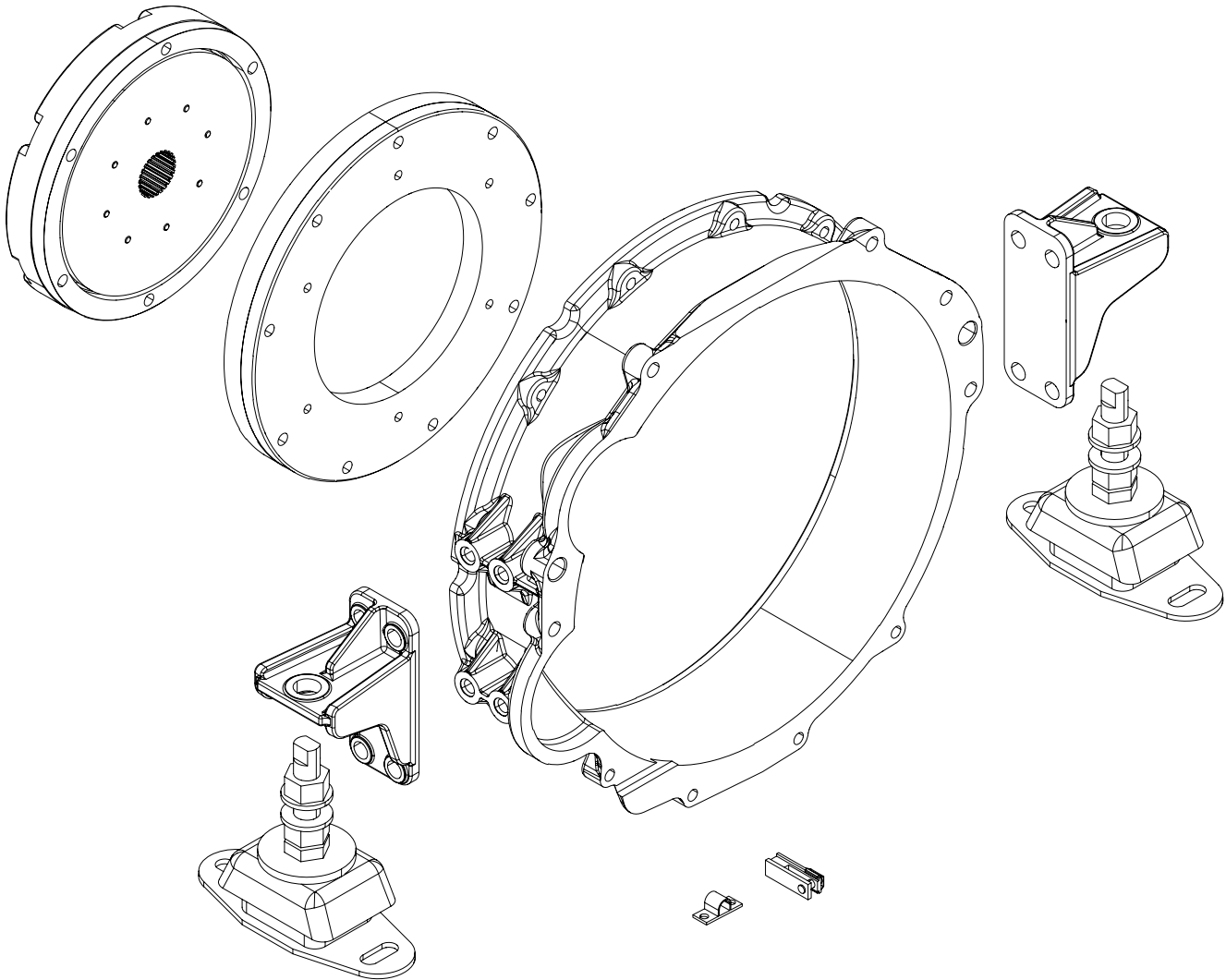


TA 0200

STEYR MARINE
OPTION

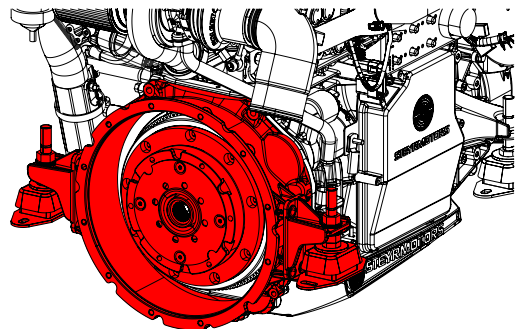
KIT SAE 4 WITH COUPLING

MS1210010



* suitable for all SE 6 Cyl. Engines

** suitable for: SE144E38
SE164E40



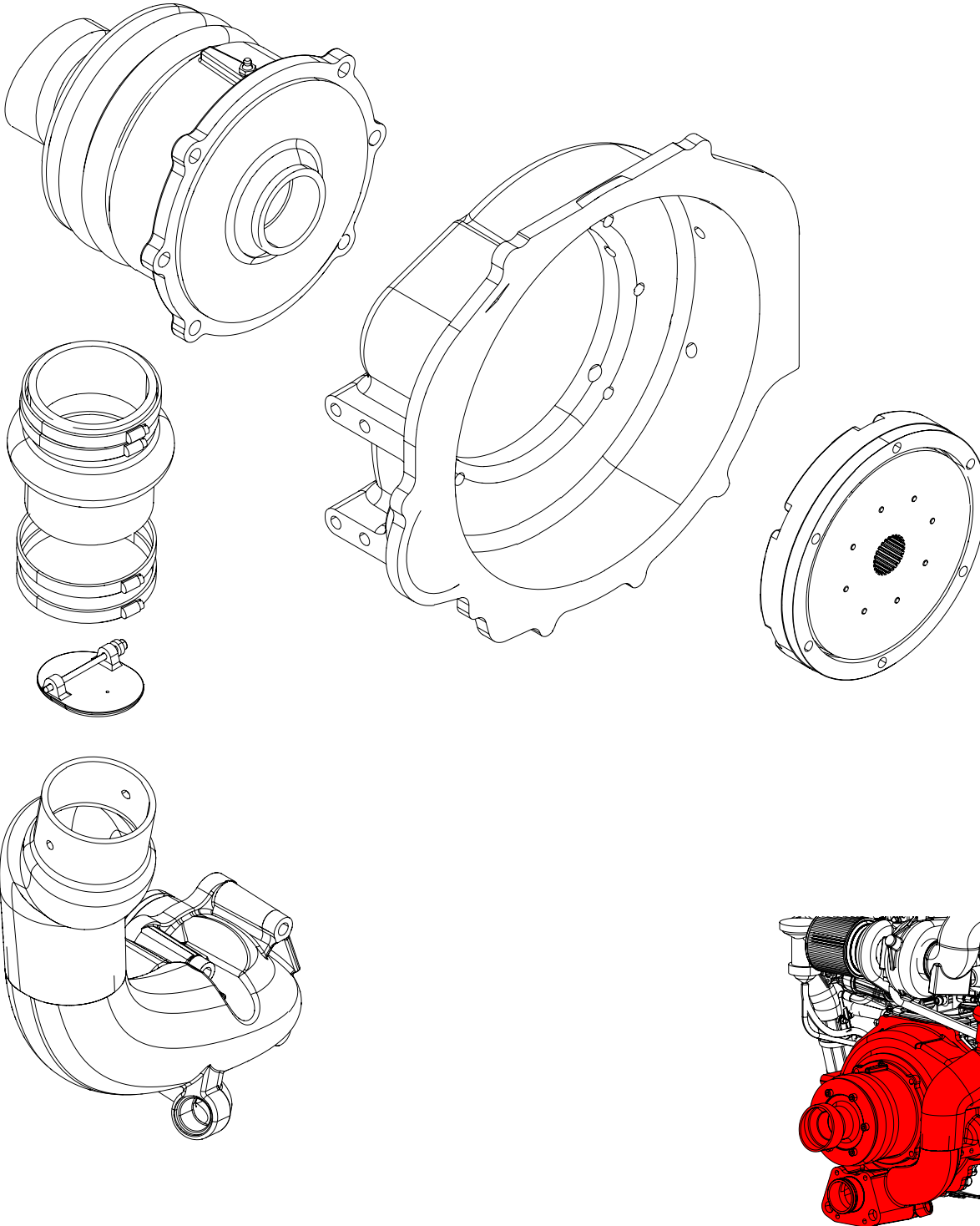


TA 0720

STEYR MARINE
OPTION


KIT REPOW.VOLVO-TORF.W.PIPE DP290 R4, R6

MA1205010



* suitable for all SE 6 Cyl. Engines except SE306J38



<p>KIT REPOW.VOLVO-TORF.W.PIPE DP290 R4, R6</p>	<p>STEYR MARINE  OPTION</p>
--	--

Pos.	Part.-No.	Qty	Designation	Step



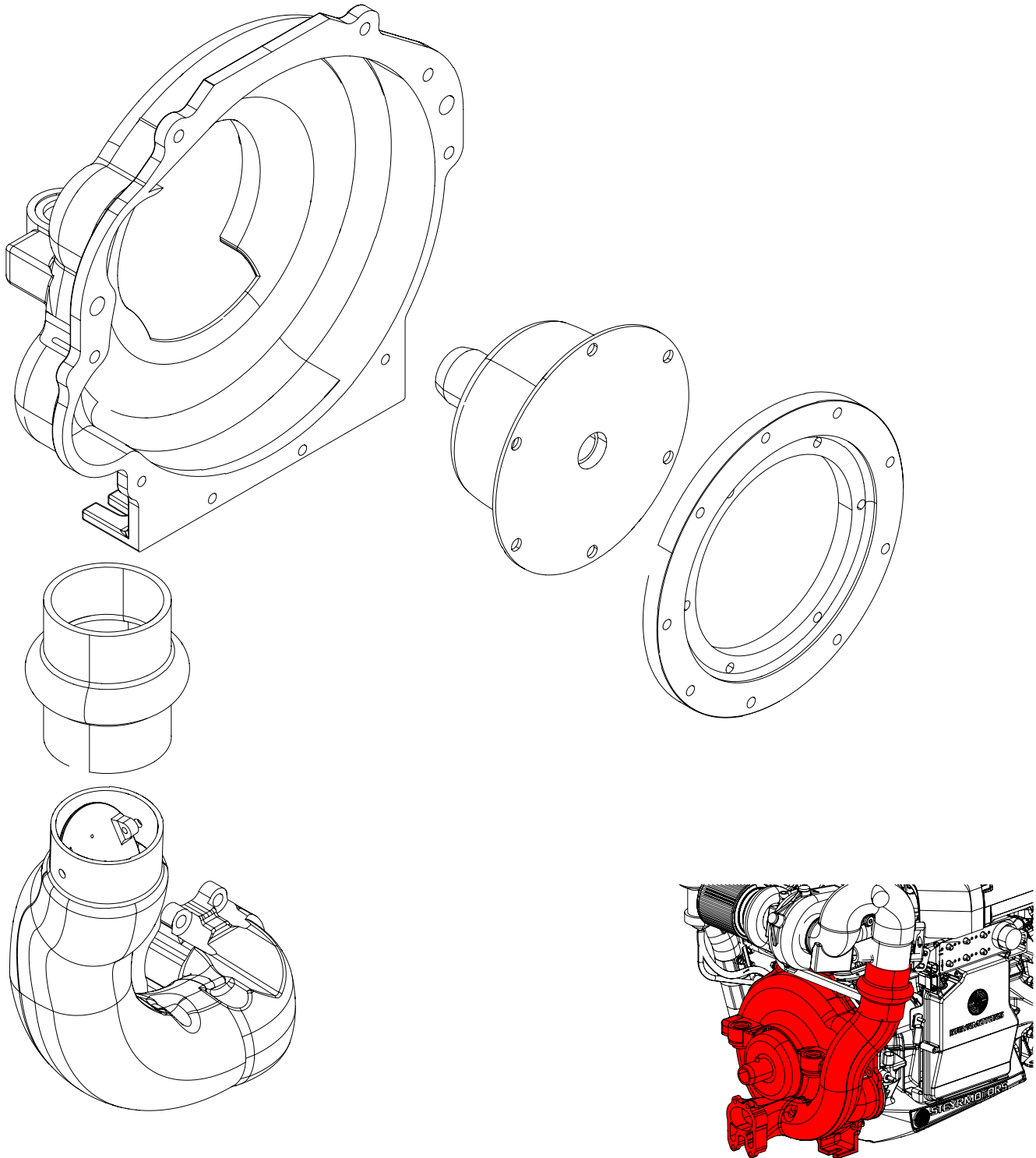


TA 0210

STEYR MARINE
OPTION

KIT REPOW. MERC. COMMERC.W.PIPE (6 CYL.)

MA0308010



* suitable for all SE 6 Cyl. Engines except SE306J38



KIT REPOW. MERC. COMMERC.W.PIPE (6 CYL.)	STEYR MARINE  OPTION
---	--

Pos.	Part.-No.	Qty	Designation	Step




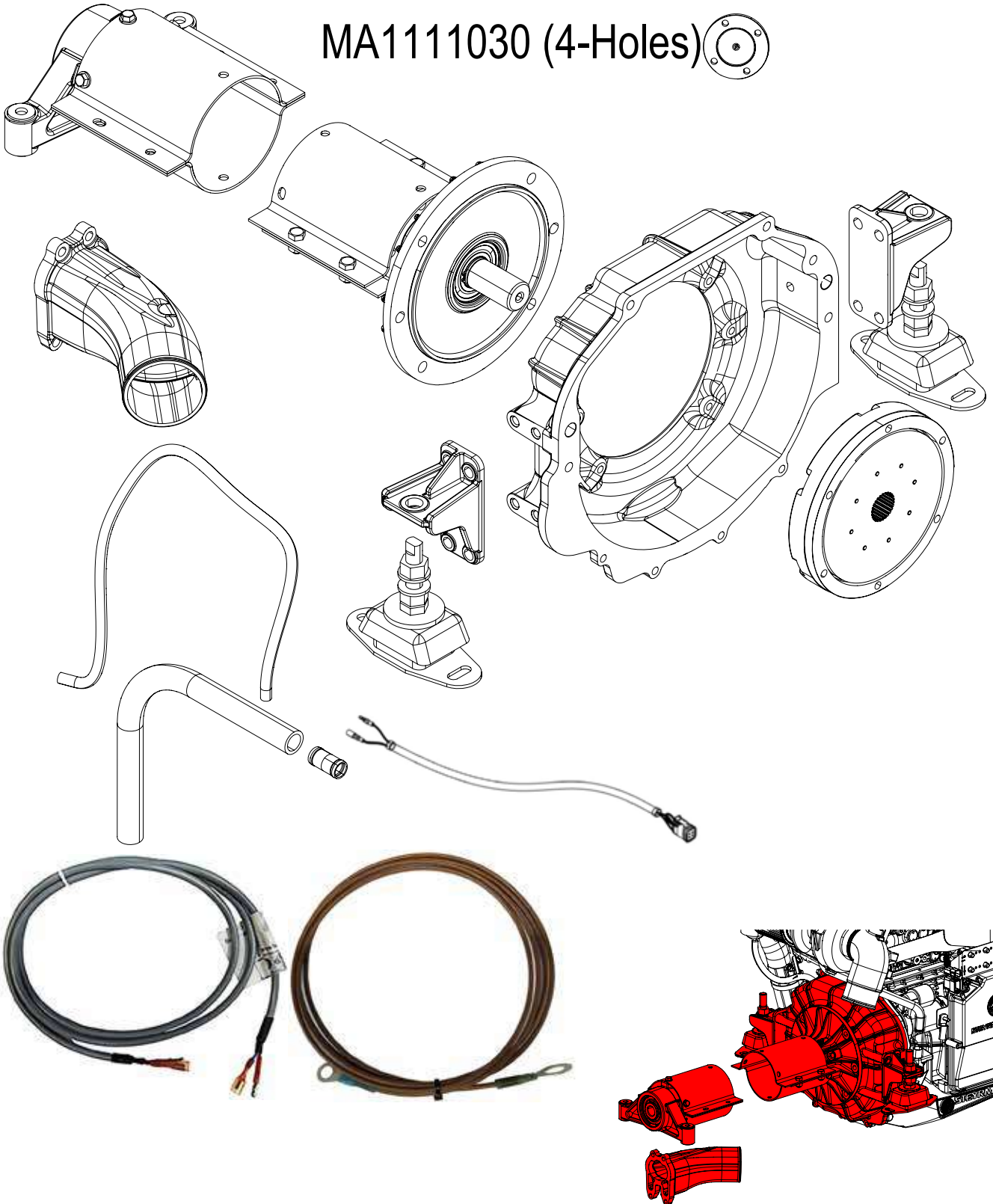


TA 0730

STEYR MARINE
OPTION

KIT DRIVE SHAFT EXTEN. W/O SHAFT (BRAVO)

MA1111030 (4-Holes) 



* suitable for all SE 6 Cyl. Engines except SE306J38



KIT DRIVE SHAFT EXTEN. W/O SHAFT (BRAVO)	STEYR MARINE  OPTION
---	--

Pos.	Part.-No.	Qty	Designation	Step

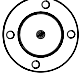


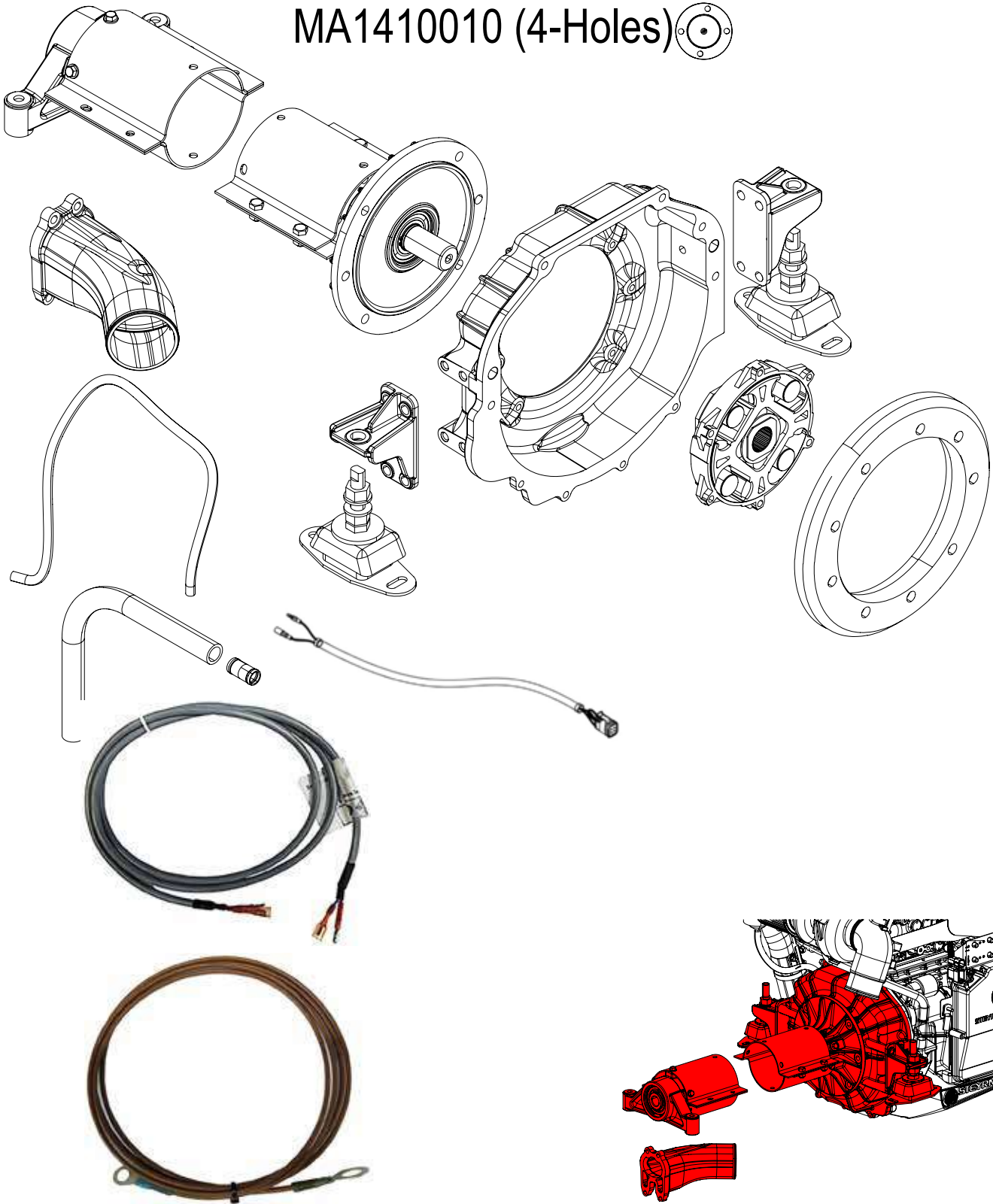


TA 0730

STEYR MARINE
OPTION

KIT DRIVE SHAFT EXTEN. W/O SHAFT (BRAVO)

MA1410010 (4-Holes) 



*** suitable for all SE 6 Cyl. Engines except SE306J38**



KIT DRIVE SHAFT EXTEN. W/O SHAFT (BRAVO)	STEYR MARINE OPTION
---	--------------------------------

Pos.	Part.-No.	Qty	Designation	Step





TA 0710

STEYR MARINE
OPTION

KIT STERN-DRIVE BRAVO



BR1150 - suitable for all SE 6 Cyl. Engines except SE306J38
 BR2181
 BR3165
 BR3181

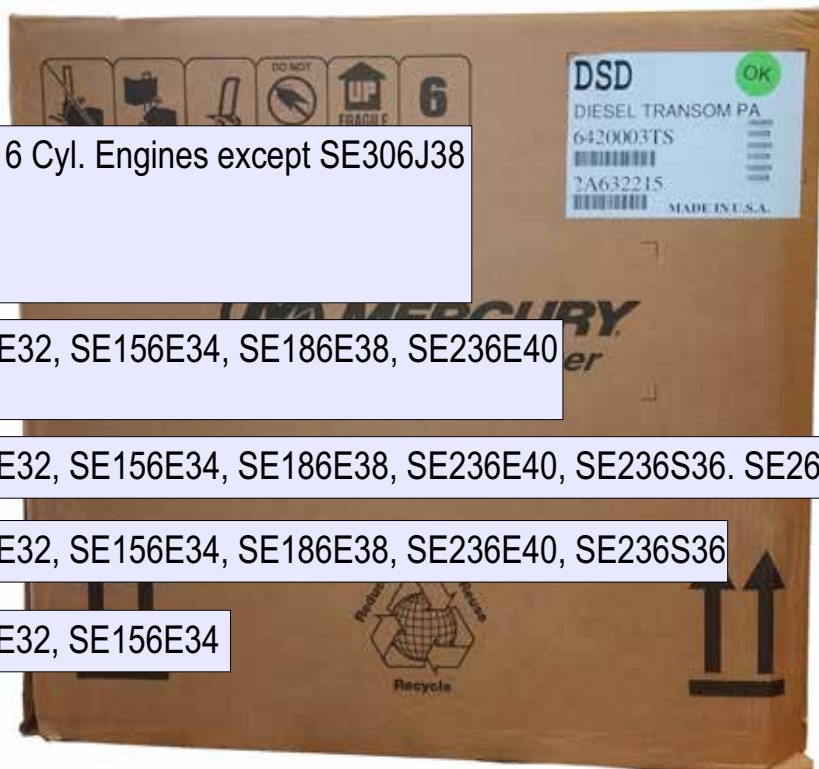
BR1165 - suitable for SE126E32, SE156E34, SE186E38, SE236E40
 BR3200

BR2200 - suitable for SE126E32, SE156E34, SE186E38, SE236E40, SE236S36. SE266E40

BR2220 - suitable for SE126E32, SE156E34, SE186E38, SE236E40, SE236S36

BR3220 - suitable for SE126E32, SE156E34

** suitable for: SE144E38
 SE164E40



KIT STERN-DRIVE BRAVO



Pos.	Part.-No.	Qty	Designation	Step

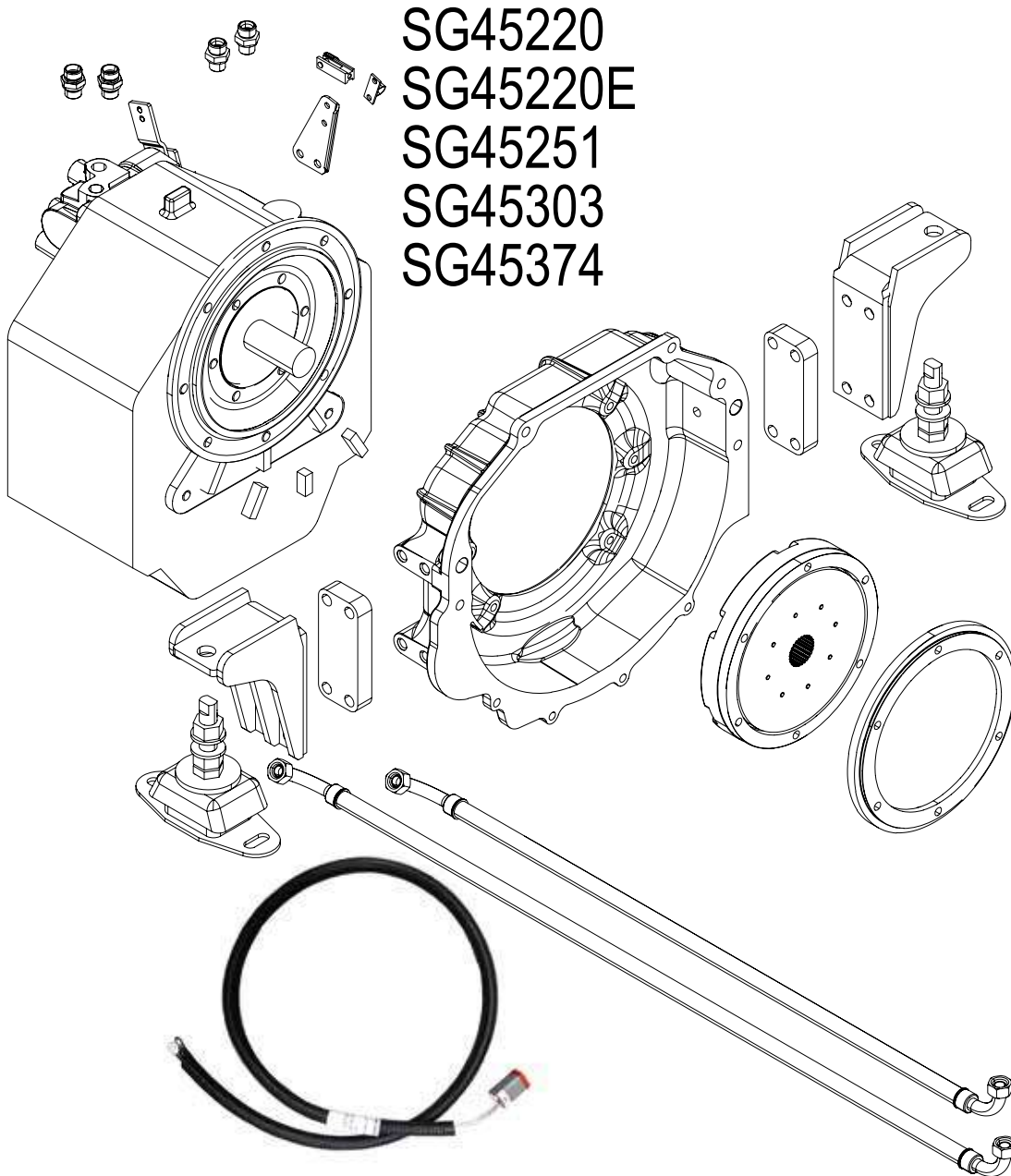




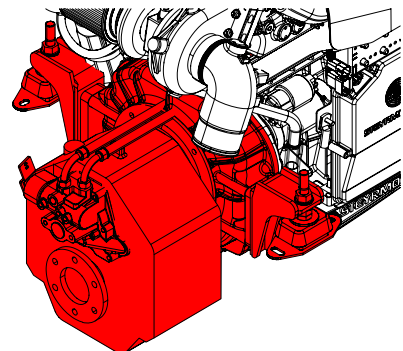
TA 0700

STEYR MARINE
OPTION

KIT GEARBOX ZF 45




SG45220
SG45220E
SG45251
SG45303
SG45374



* suitable for: SE126E32
SE156E34
SE186E38



KIT GEARBOX ZF 45	STEYR MARINE  OPTION
-------------------	--

Pos.	Part.-No.	Qty	Designation	Step



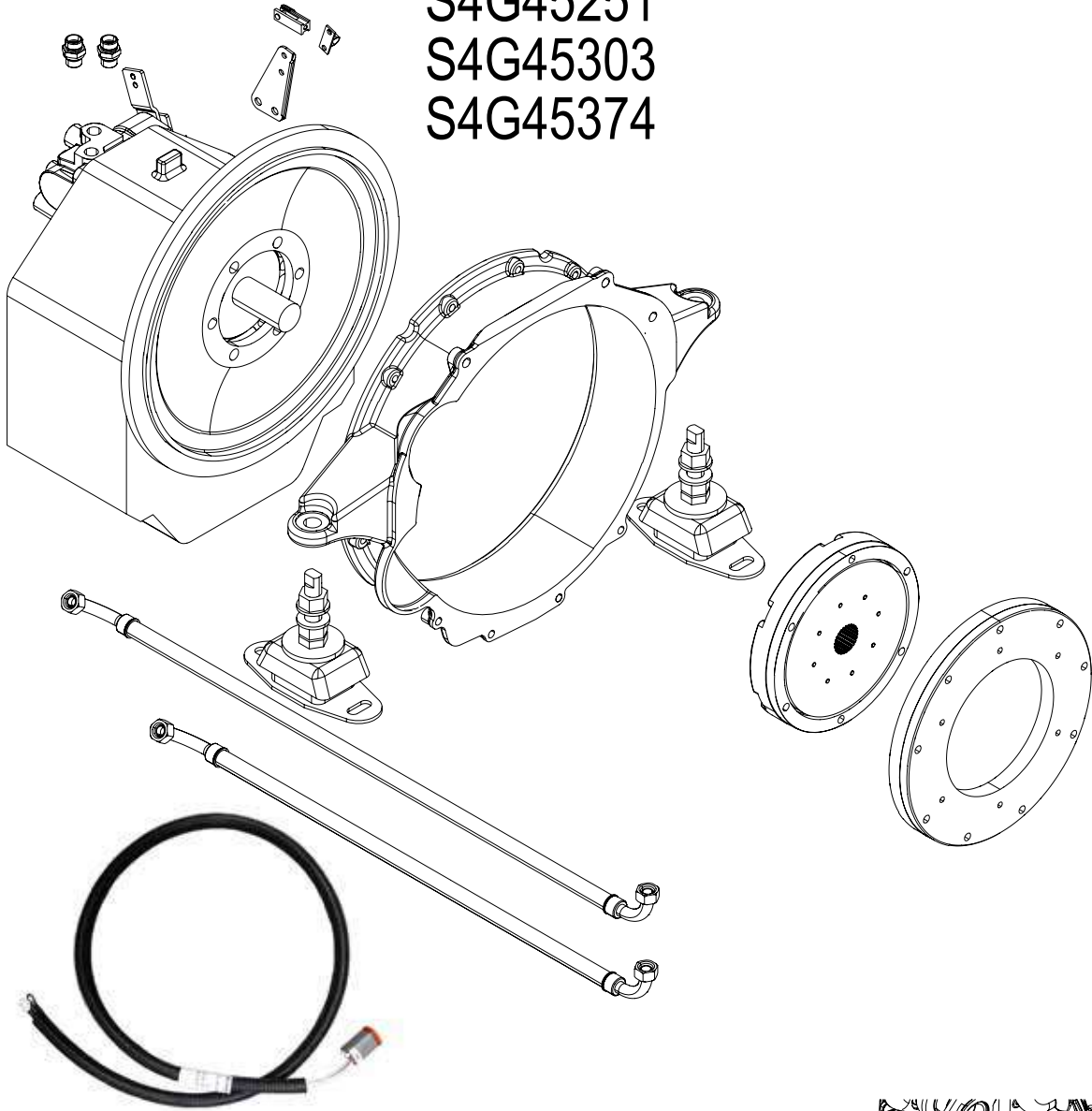


TA 0700

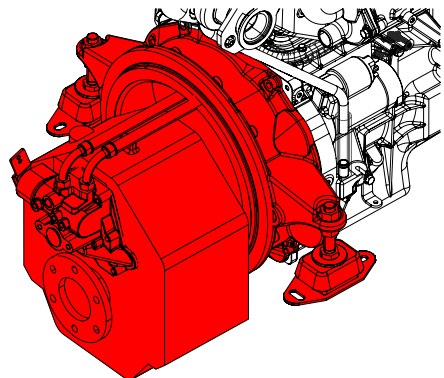
STEYR MARINE
OPTION


KIT GEARBOX ZF 45

S4G45220
S4G45220E
S4G45251
S4G45303
S4G45374



** suitable for: SE144E38
SE164E40



<p>KIT GEARBOX ZF 45</p>	<p>STEYR MARINE  OPTION</p>
--------------------------	--

Pos.	Part.-No.	Qty	Designation	Step



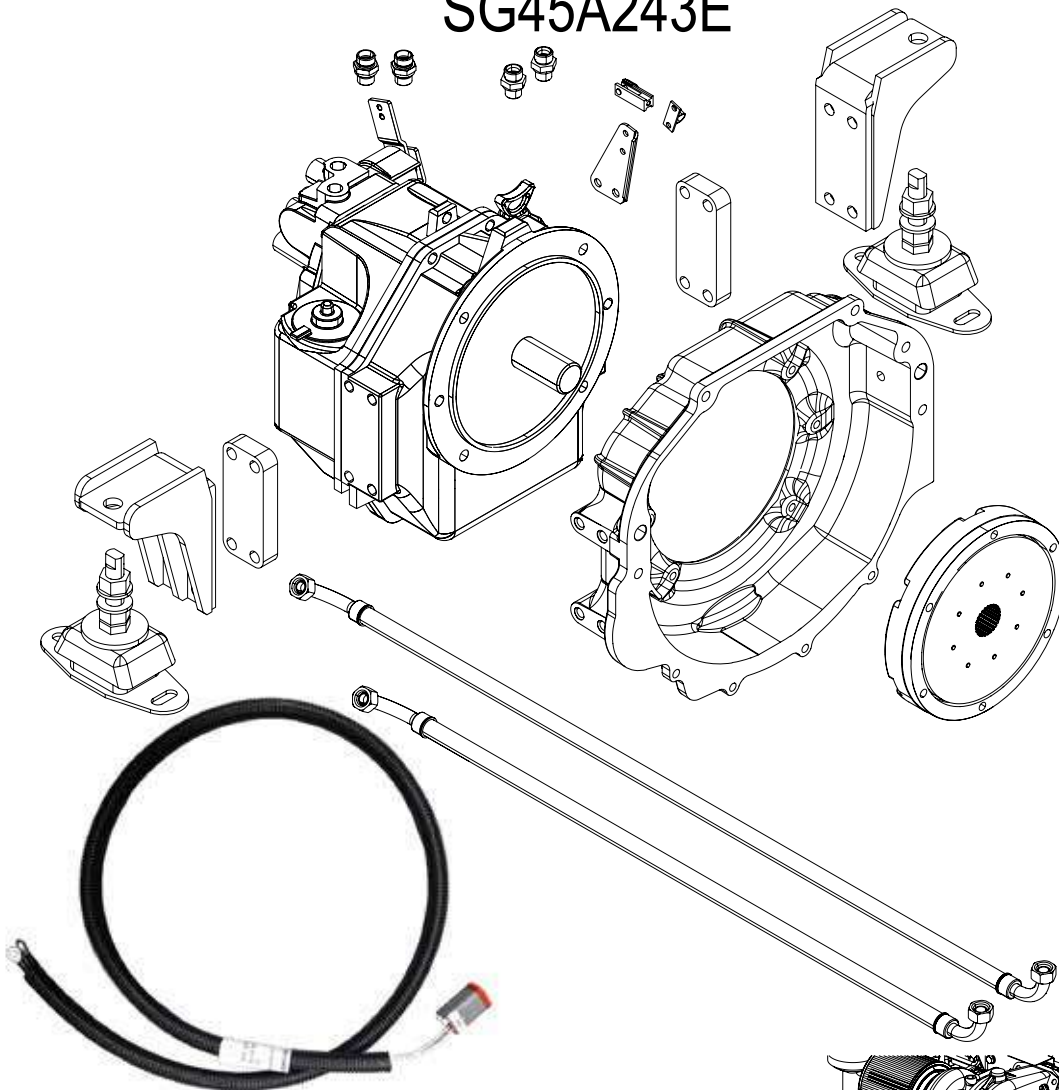


TA 0700

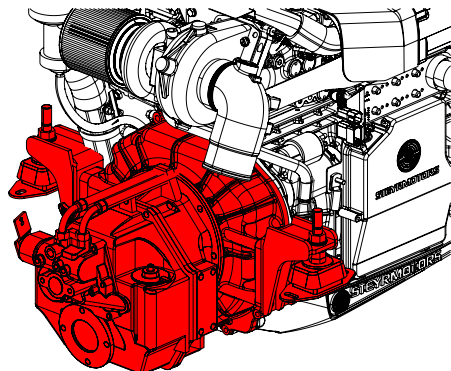
STEYR MARINE
OPTION

KIT GEARBOX ZF 45A

SG45A126
SG45A151
SG45A203
SG45A243
SG45A243E



* suitable for: SE126E32
SE156E34
SE186E38



<h2>KIT GEARBOX ZF 45A</h2>	STEYR MARINE OPTION
-----------------------------	--------------------------------------

Pos.	Part.-No.	Qty	Designation	Step



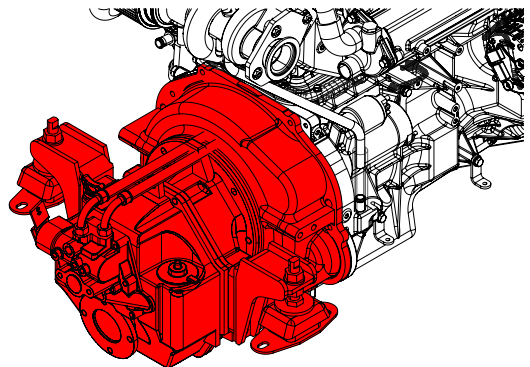
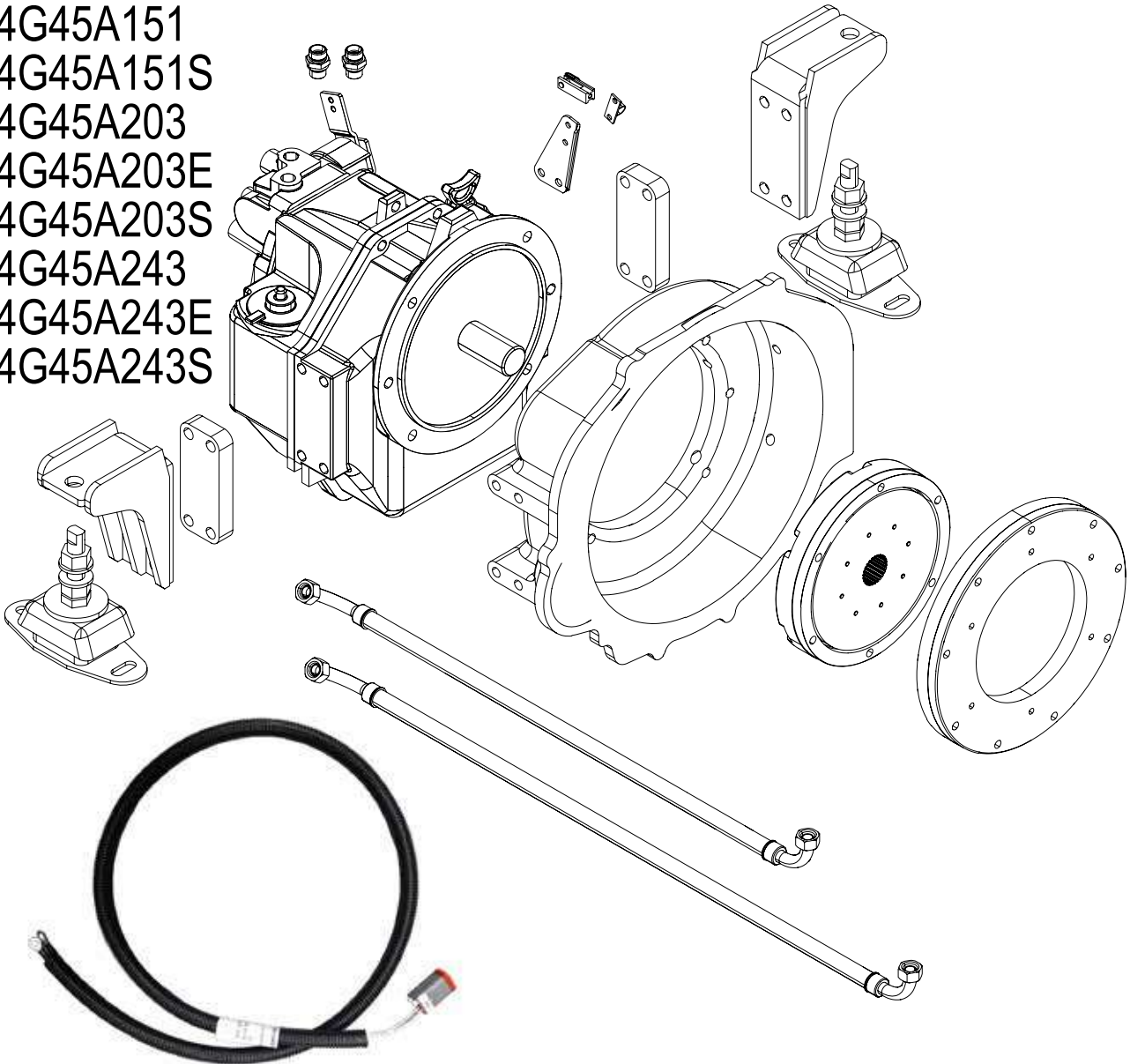


TA 0700

STEYR MARINE
OPTION


KIT GEARBOX ZF 45A

- S4G45A126
- S4G45A126S
- S4G45A151
- S4G45A151S
- S4G45A203
- S4G45A203E
- S4G45A203S
- S4G45A243
- S4G45A243E
- S4G45A243S



**** suitable for: SE144E38
SE164E40**



KIT GEARBOX ZF 45A	
---------------------------	---

Pos.	Part.-No.	Qty	Designation	Step



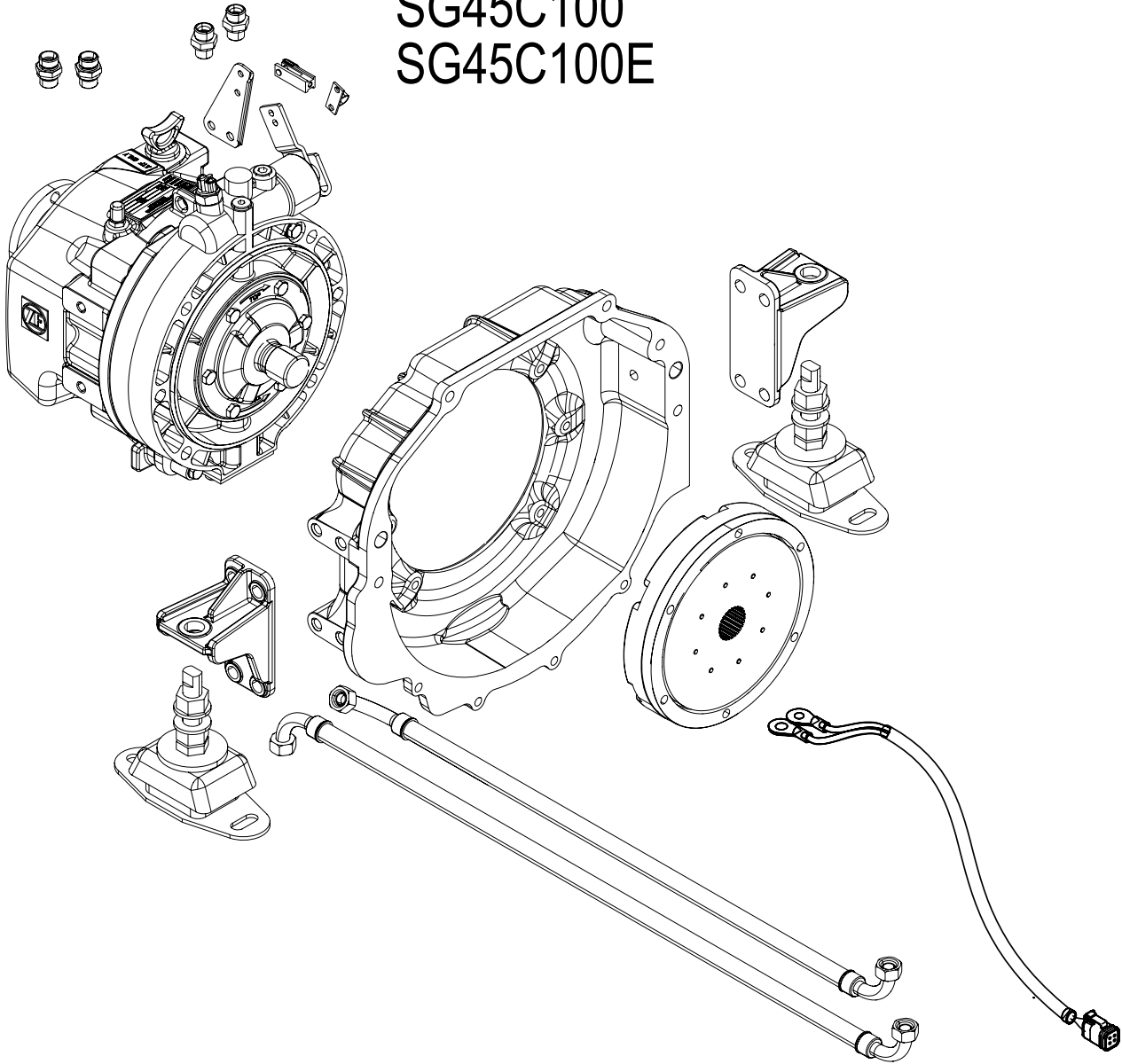


TA 0700

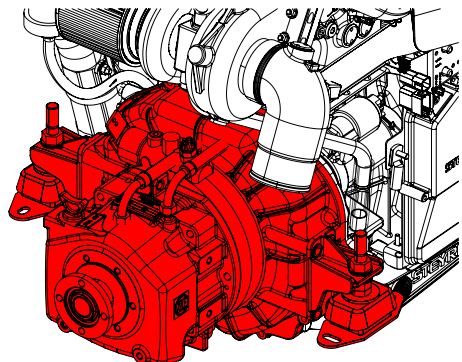
STEYR MARINE
OPTION

KIT GEARBOX ZF 45C

SG45C100
SG45C100E



* suitable for: SE126E32
SE156E34
SE186E38
SE236E40
SE266E40



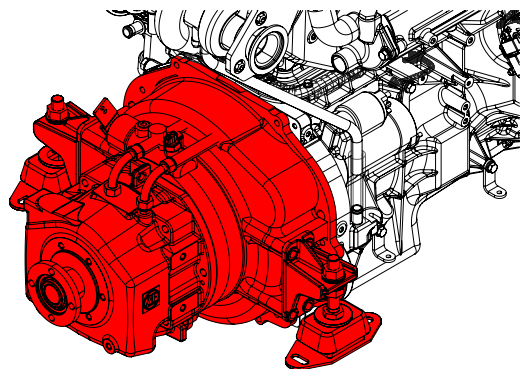
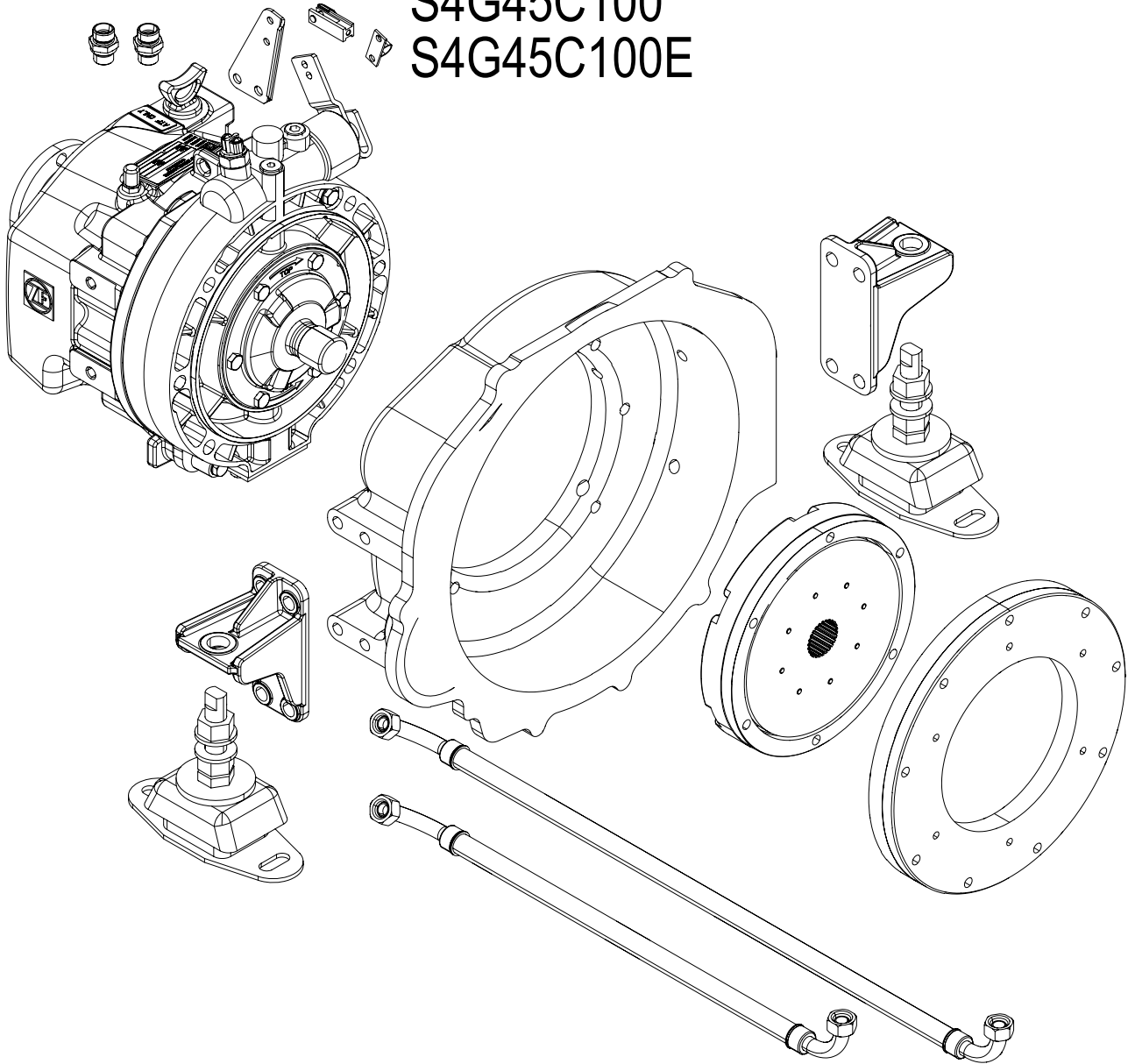


TA 0700

STEYR MARINE
OPTION

KIT GEARBOX ZF 45C

S4G45C100
S4G45C100E



**** suitable for: SE144E38
SE164E40**



KIT GEARBOX ZF 45C

STEYR MARINE
 **OPTION**

Pos.	Part.-No.	Qty	Designation	Step

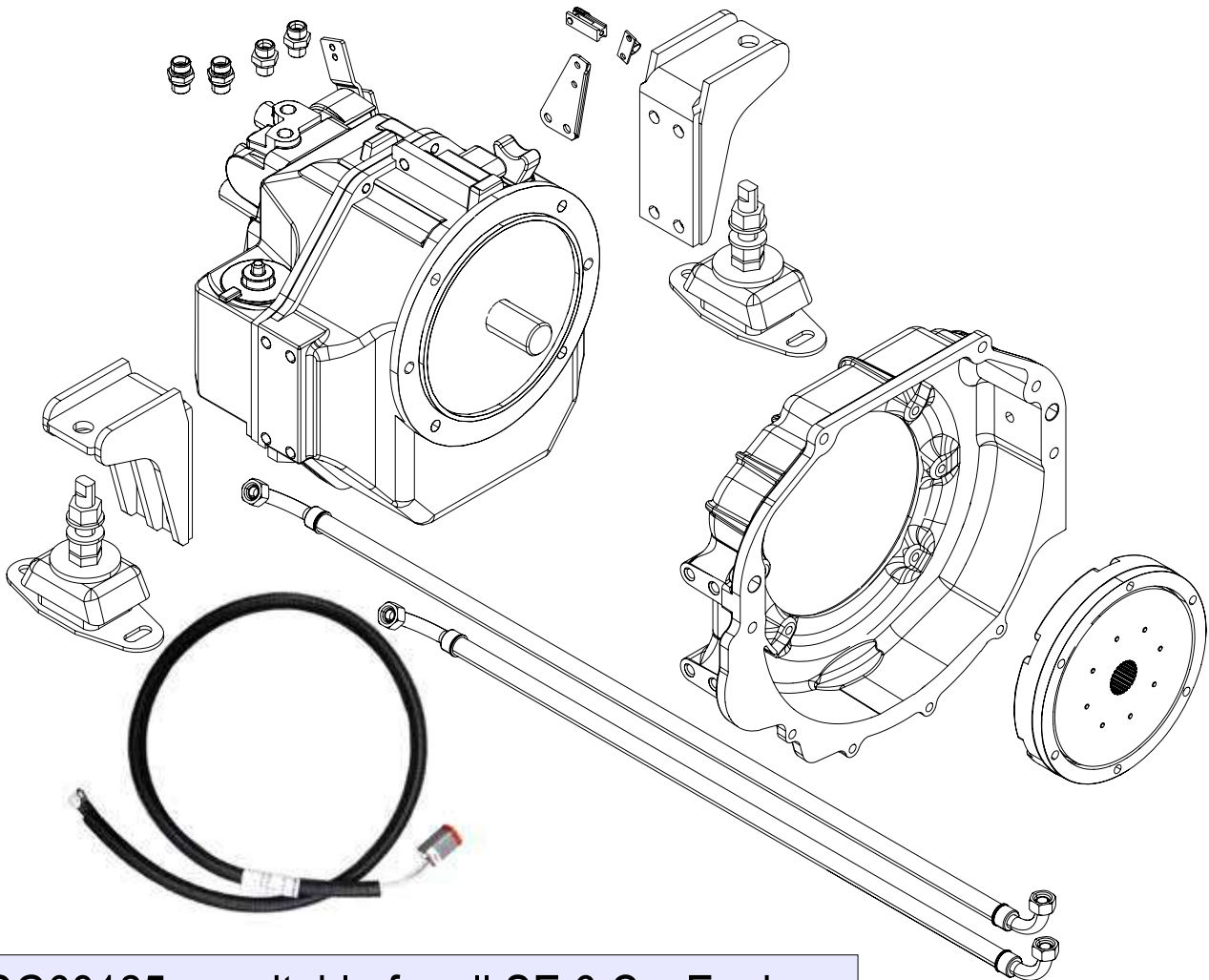




TA 0700

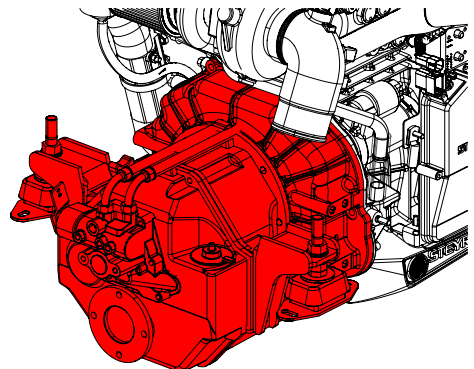
STEYR MARINE
OPTION

KIT GEARBOX ZF68



SG68125 suitable for all SE 6 Cy. Engines
 SG68125E
 SG68151
 SG68151E
 SG68177
 SG68193

SG68248 suitable for SE126E32
 SG68278 SE156E34
 SE186E38
 SE236E40
 SE236S36
 SE266E40



KIT GEARBOX ZF68

STEYR MARINE
OPTION

Pos.	Part.-No.	Qty	Designation	Step



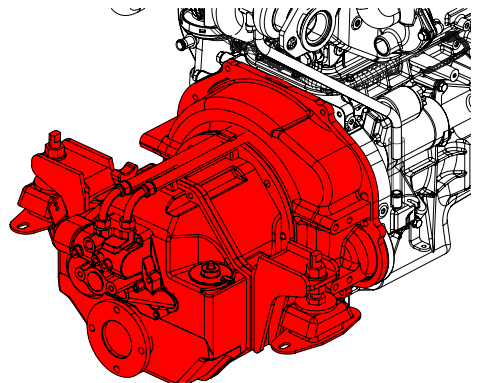
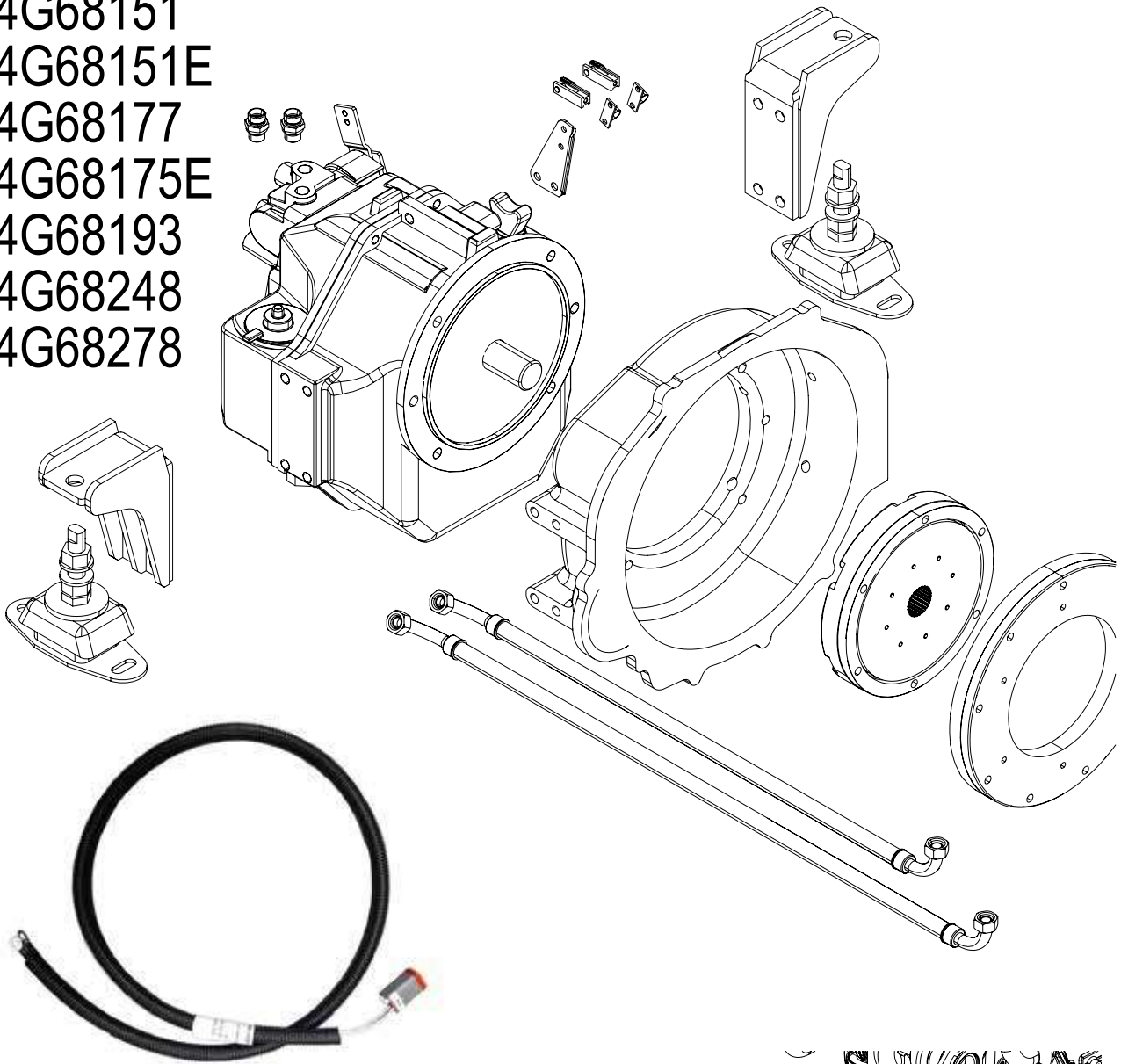


TA 0700

STEYR MARINE
OPTION


KIT GEARBOX ZF 68

- S4G68125
- S4G68125E
- S4G68151
- S4G68151E
- S4G68177
- S4G68175E
- S4G68193
- S4G68248
- S4G68278



**** suitable for: SE144E38
SE164E40**



KIT GEARBOX ZF 68	STEYR MARINE 
--------------------------	--

Pos.	Part.-No.	Qty	Designation	Step

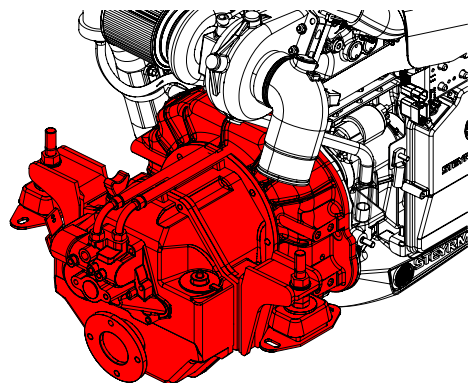
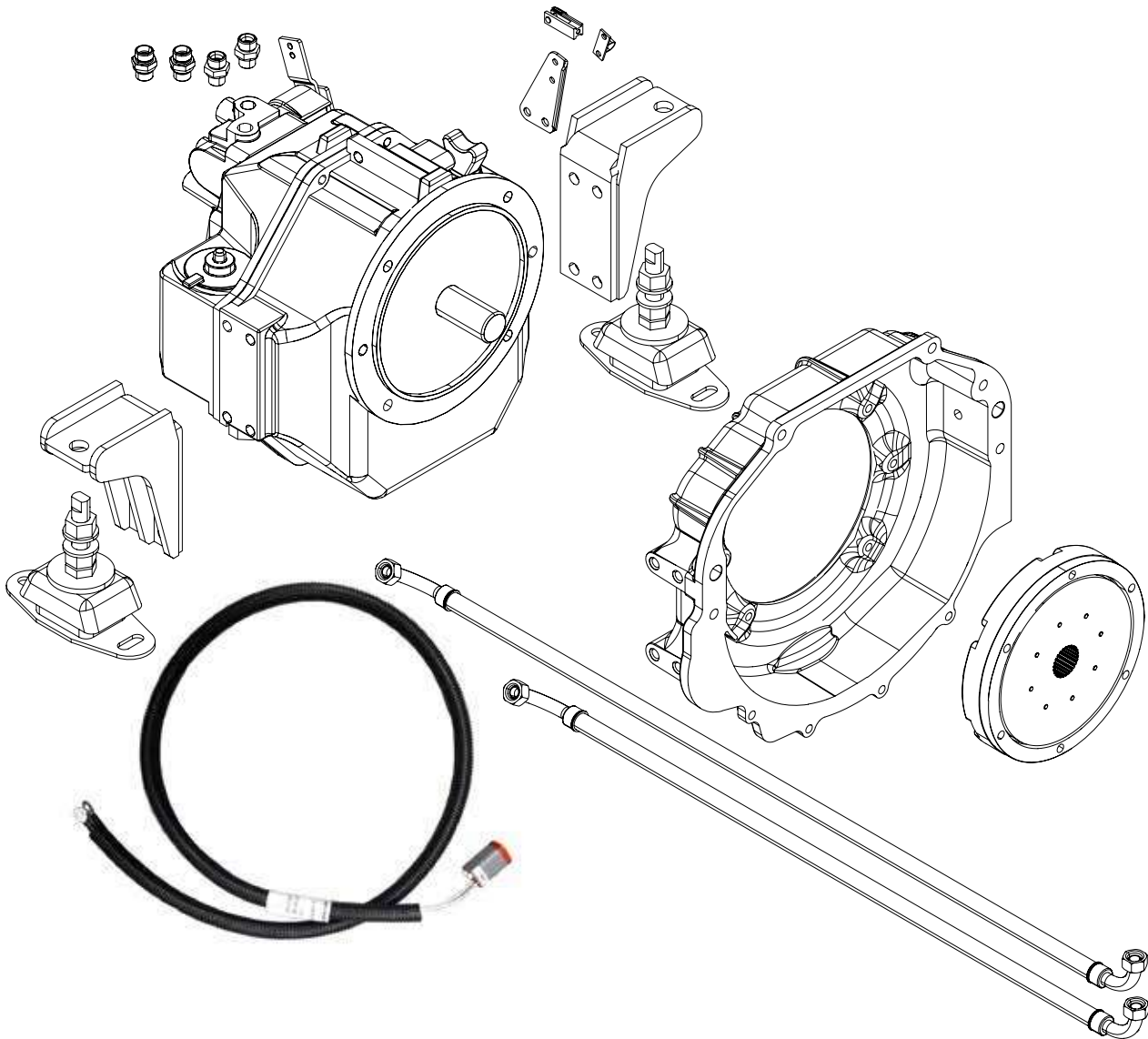




TA 0700

STEYR MARINE
OPTION

KIT GEARBOX ZF68A



SG68A122 suitable for all SE 6 Cyl. Engines
SG68A156
SG68A204

SG68A252 suitable for all SE 6 Cyl. Engines except SE266S36
SG68A270



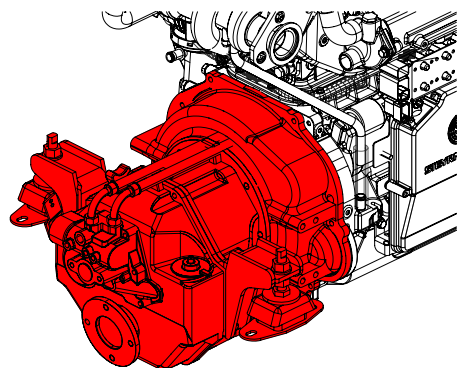
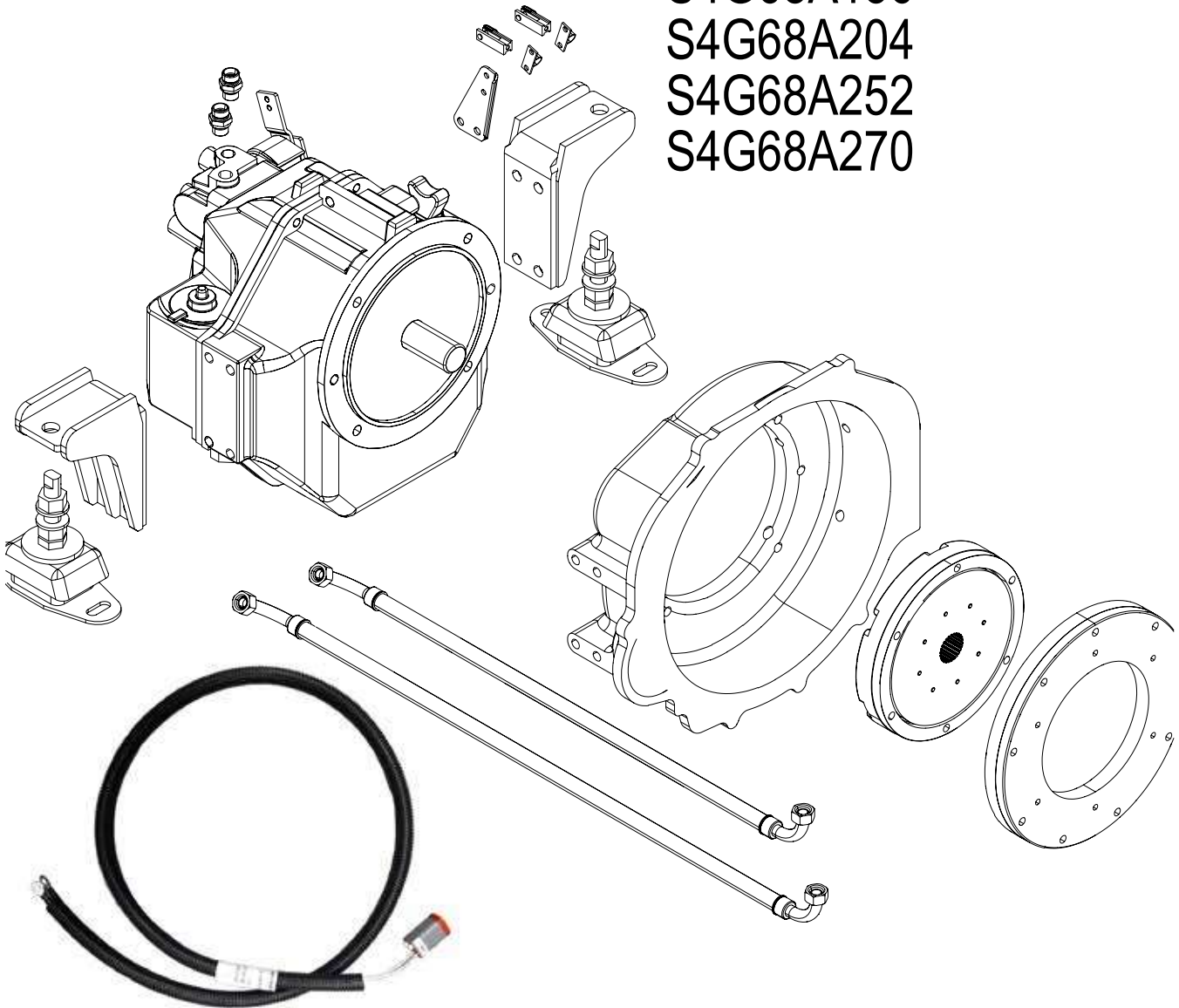


TA 0700

STEYR MARINE
OPTION

KIT GEARBOX ZF 68A

- S4G68A122
- S4G68A156
- S4G68A204
- S4G68A252
- S4G68A270



** suitable for: SE144E38
SE164E40

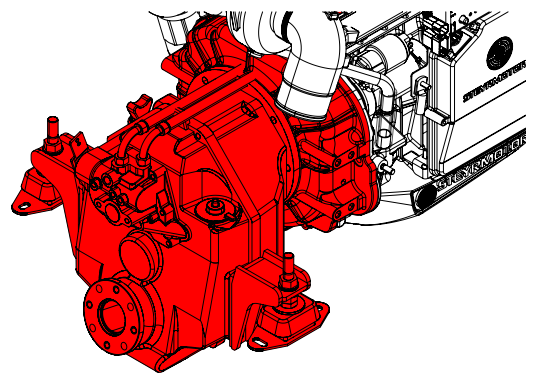
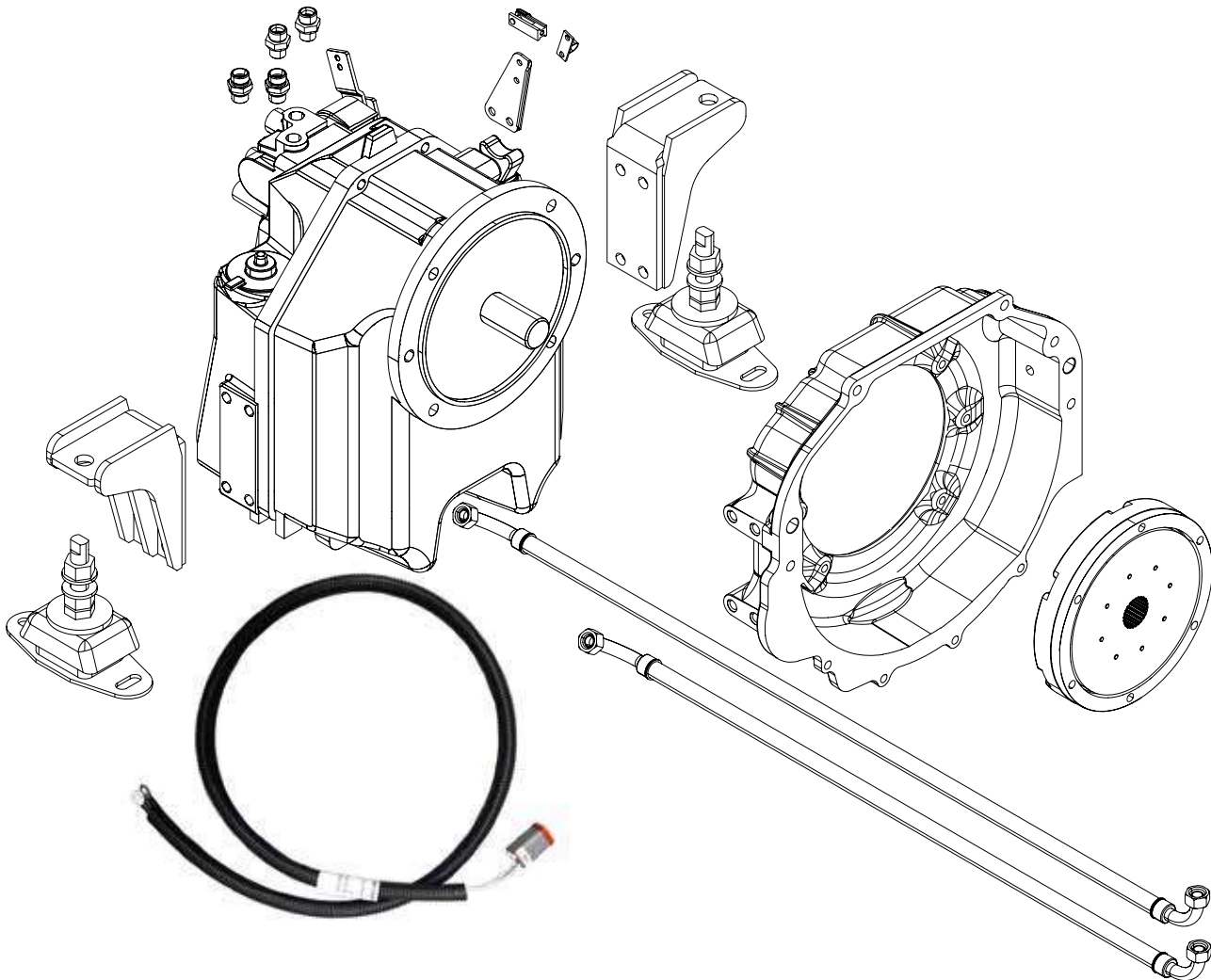




TA 0700

STEYR MARINE
OPTION

KIT GEARBOX ZF68IV



SG68IV129 suitable for all SE 6 Cyl. Engines
SG68IV156
SG68IV200

SG68IV248 suitable for all SE 6 Cyl. Engines except SE266S36



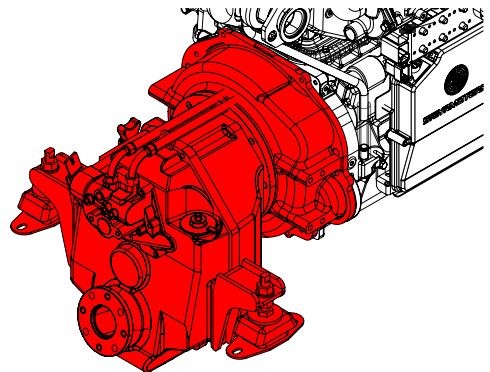
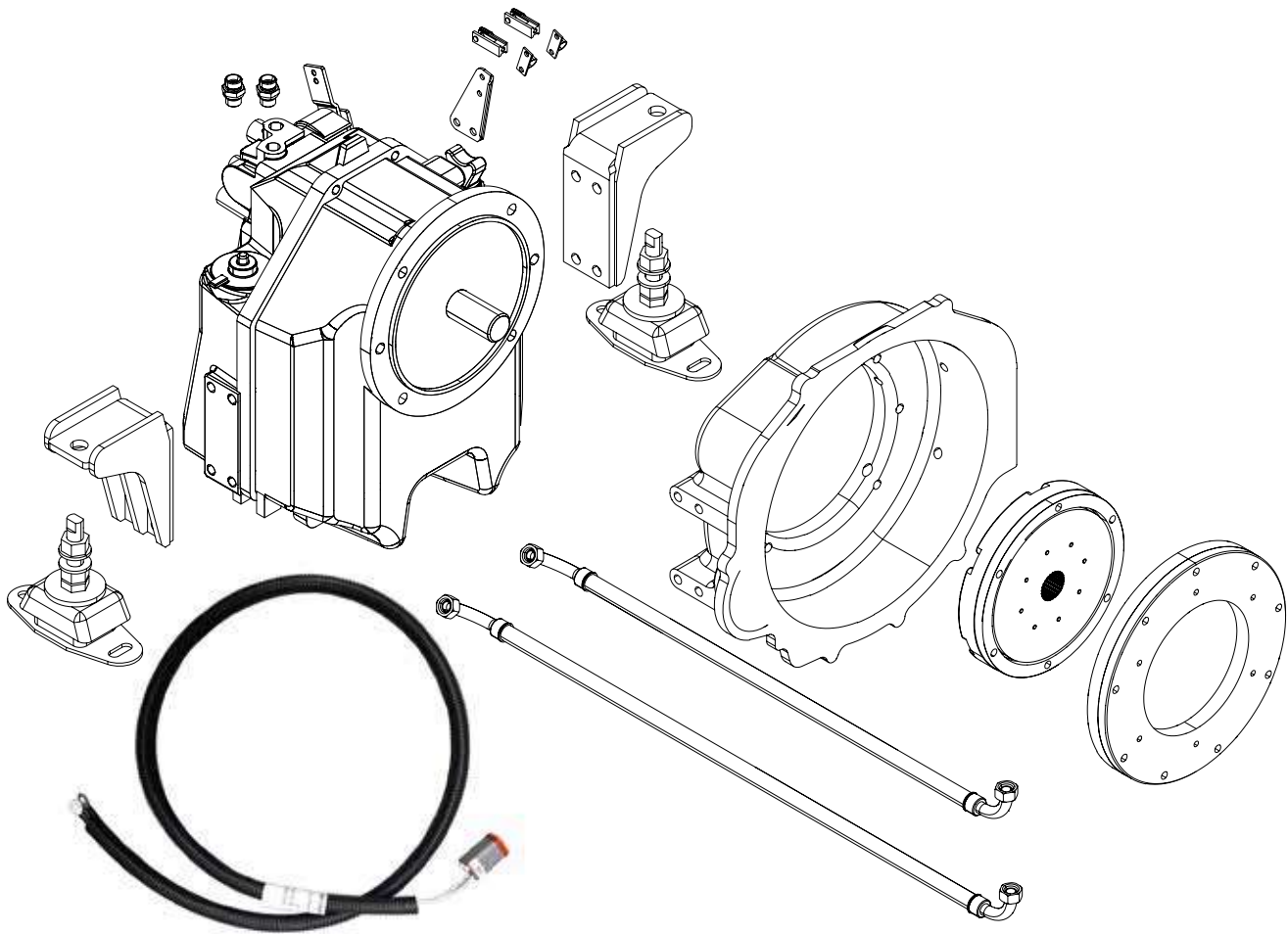


TA 0700

STEYR MARINE
OPTION

KIT GEARBOX ZF 68IV

S4G68IV129
S4G68IV156
S4G68IV200
S4G68IV248



**** suitable for: SE144E38
SE164E40**



KIT GEARBOX ZF 68IV

STEYR MARINE
 **OPTION**

Pos.	Part.-No.	Qty	Designation	Step



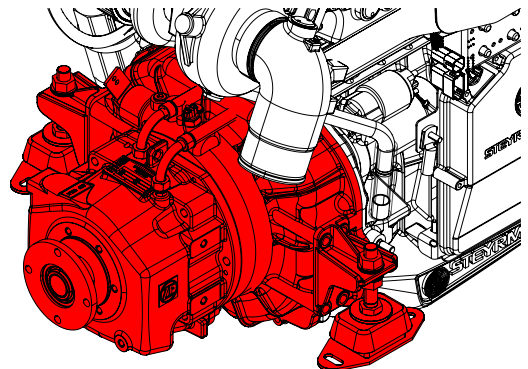
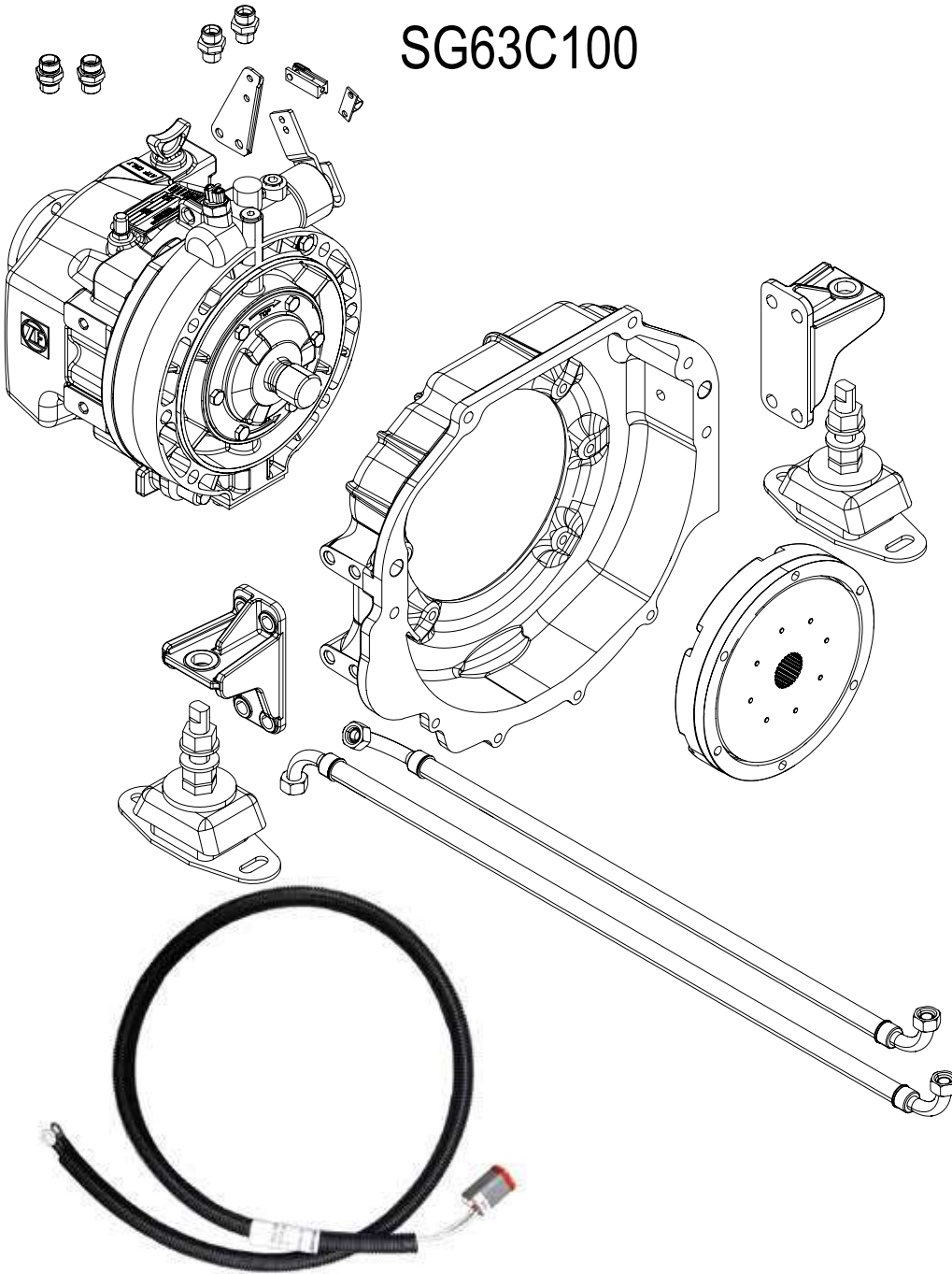


TA 0700

STEYR MARINE
OPTION

KIT GEARBOX ZF 63C

SG63C100



* suitable for all SE 6 Cyl. Engines

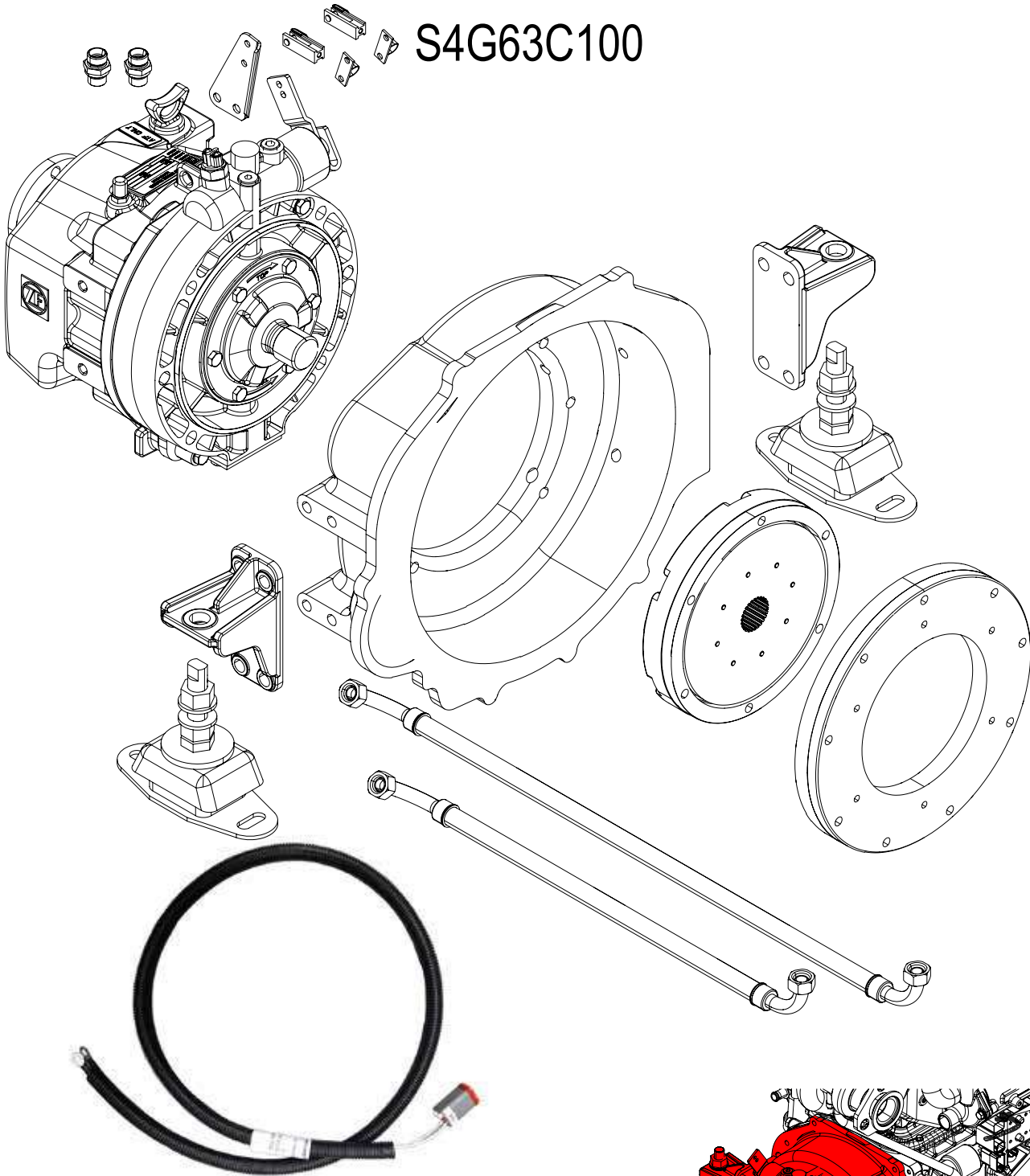




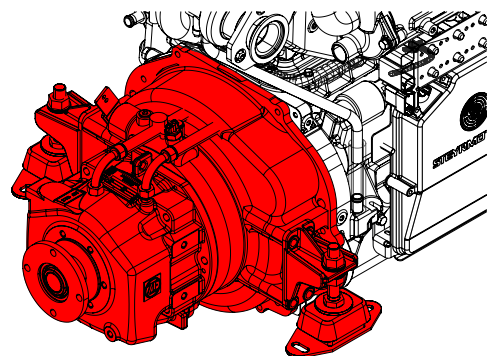
TA 0700

STEYR MARINE
OPTION

KIT GEARBOX ZF 63C



**** suitable for: SE144E38
SE164E40**



KIT GEARBOX ZF 63C	STEYR MARINE  OPTION
--------------------	--

Pos.	Part.-No.	Qty	Designation	Step



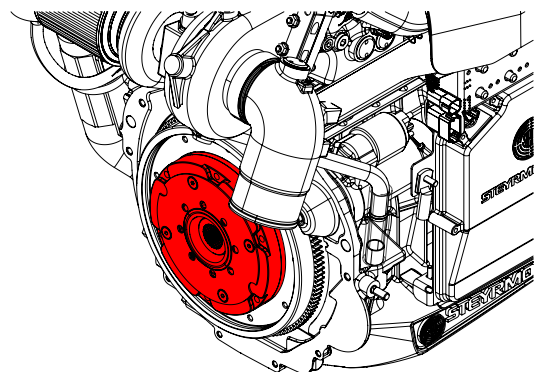
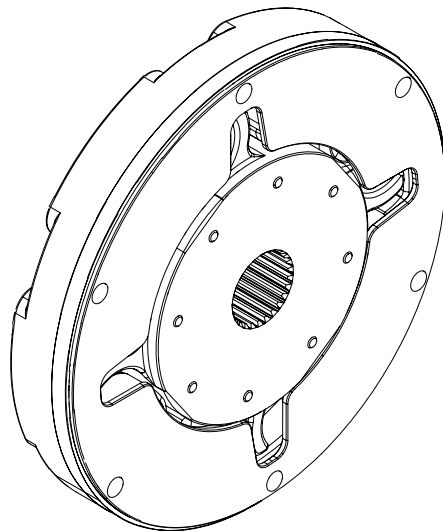


TA 0200

STEYR MARINE
OPTION

KIT COUPLING 880

MS2307010



* suitable for all SE 6 Cyl. Engines



KIT COUPLING 880



Pos.	Part.-No.	Qty	Designation	Step



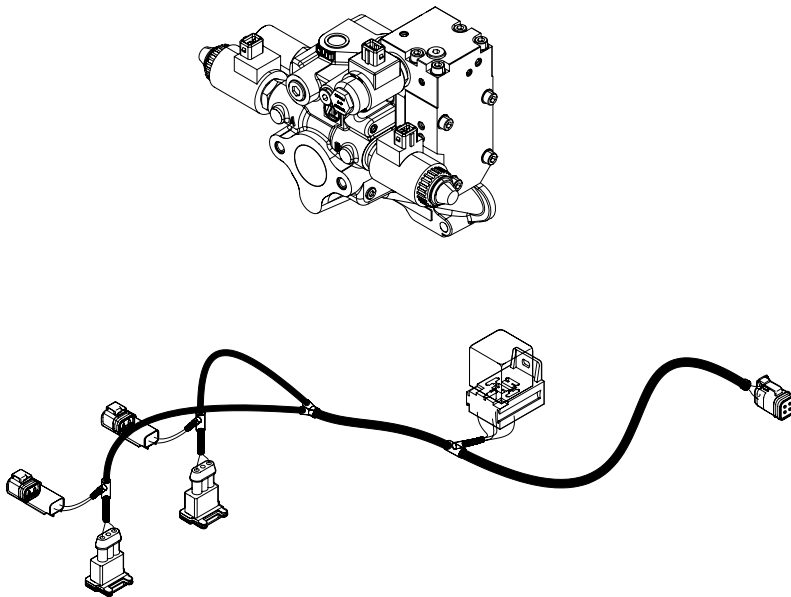


TA 0700

STEYR MARINE
OPTION

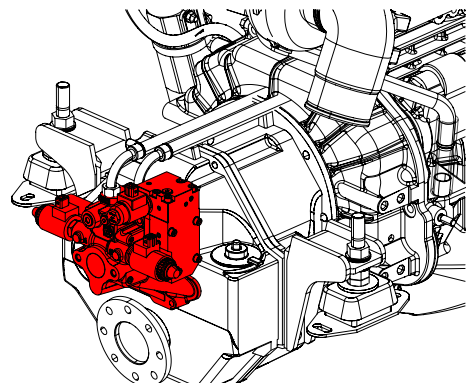
ELECTRONIC GEAR SHIFT ZF

MG0703010 - 12V
MG0703020 - 24V



* suitable for all SE 6 Cyl. Engines

** suitable for: SE144E38
SE164E40



ELECTRONIC GEAR SHIFT ZF

STEYR MARINE
OPTION

Pos.	Part.-No.	Qty	Designation	Step



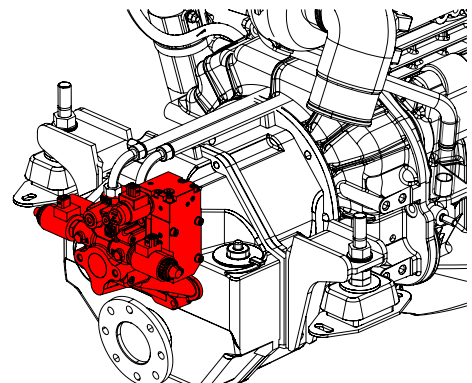
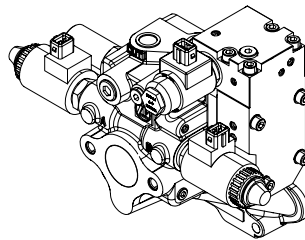


TA 0700

STEYR MARINE
OPTION

ELECTR. TROLLING VALVE

MG0703030 - 12V
MG0703040 - 24V



* suitable for all SE 6 Cyl. Engines

** suitable for: SE144E38
SE164E40



ELECTR. TROLLING VALVE	STEYR MARINE  OPTION
-------------------------------	---

Pos.	Part.-No.	Qty	Designation	Step



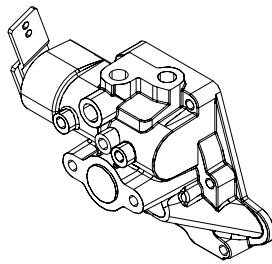


TA 0700

STEYR MARINE
OPTION

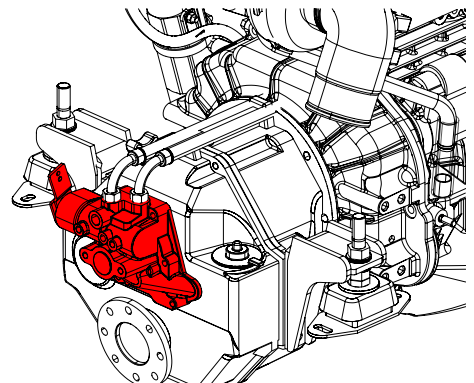
KIT MECHANICAL TROLLING VALVE

MG0703050



* suitable for all SE 6 Cyl. Engines

** suitable for: SE144E38
SE164E40



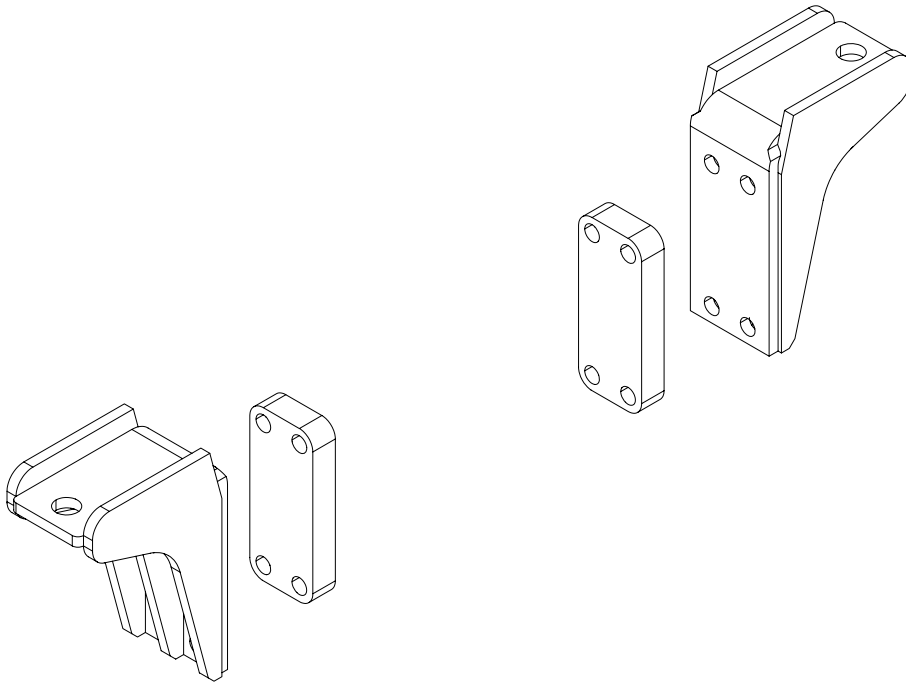


TA 0700

STEYR MARINE
OPTION

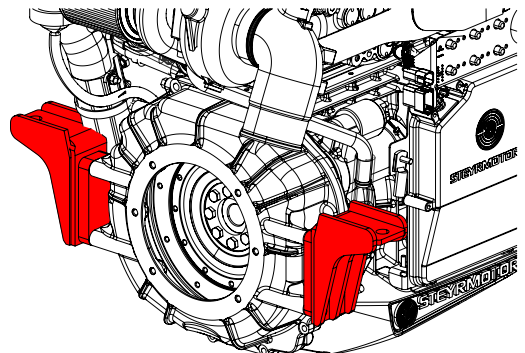
KIT GEAR-BOX BRACKET WIDTH +20MM


MS0301090



* suitable for all SE 6 Cyl. Engines

** suitable for: SE144E38
SE164E40



<p>KIT GEAR-BOX BRACKET WIDTH +20MM</p>	
--	---

Pos.	Part.-No.	Qty	Designation	Step



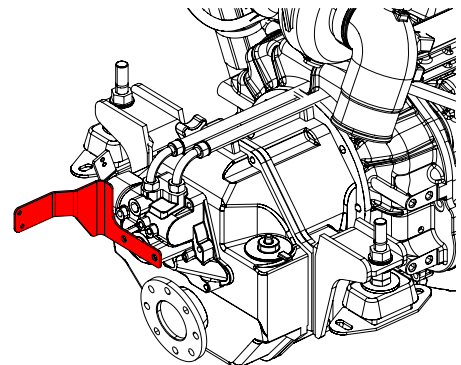
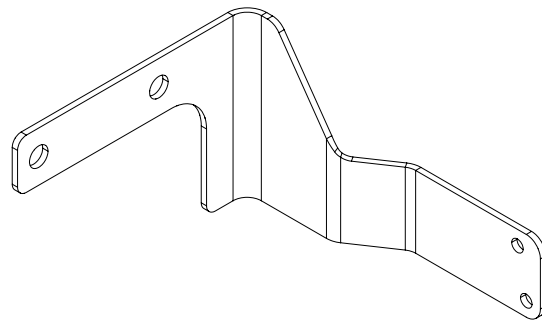


TA 0700

STEYR MARINE
OPTION

SHIFT BRACKET ASSY. ZF-GEARBOX

MS1007010



* suitable for all SE 6 Cyl. Engines



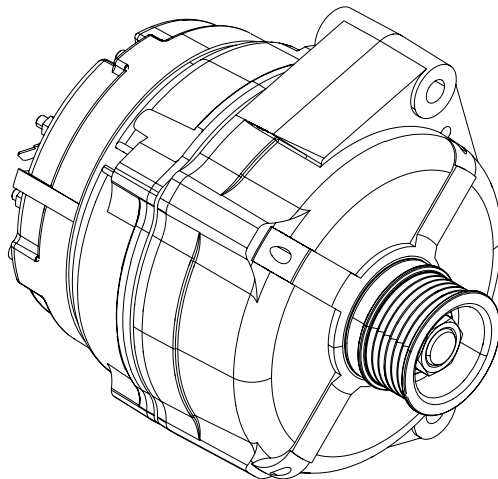


TA 0601

STEYR MARINE
OPTION

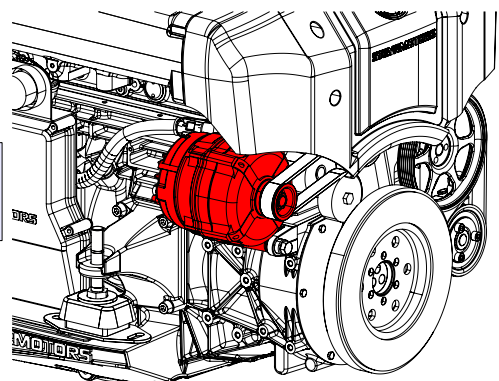
KIT ALTERNATOR 14V - 150A

ME1201010



* suitable for all SE 6 Cyl. Engines

** suitable for: SE144E38
SE164E40



KIT ALTERNATOR 14V - 150A

STEYR MARINE
 **OPTION**

Pos.	Part.-No.	Qty	Designation	Step



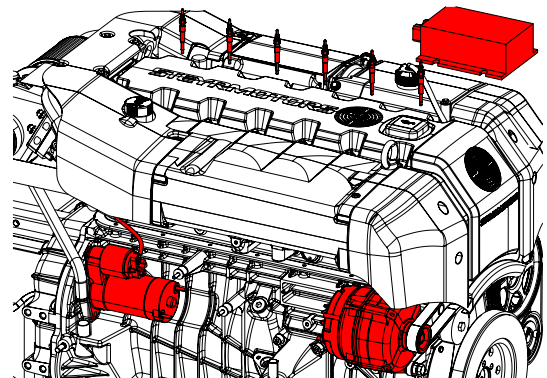
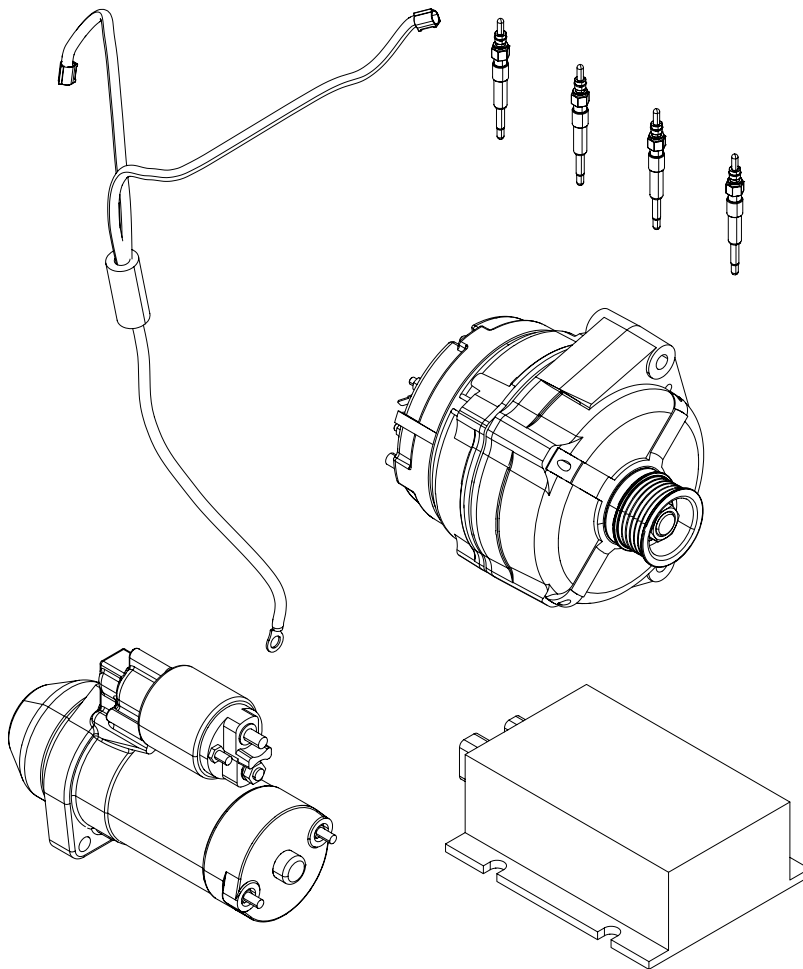


TA 0601

STEYR MARINE
OPTION


KIT 28V (6 CYL.)

ME1201030



* suitable for all SE 6 Cyl. Engines



KIT 28V (6 CYL.)	STEYR MARINE  OPTION
-------------------------	--

Pos.	Part.-No.	Qty	Designation	Step



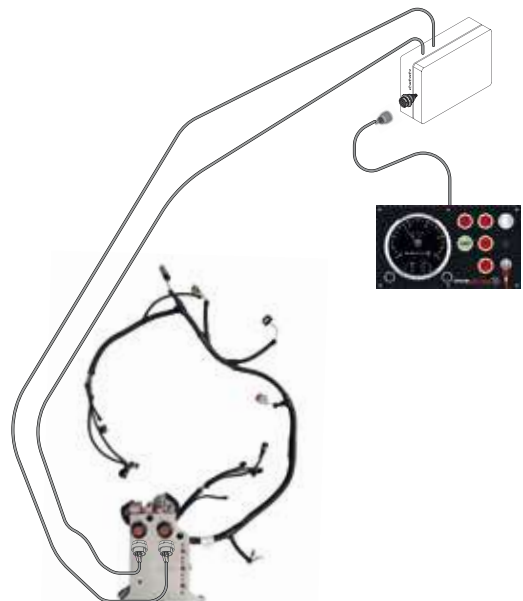
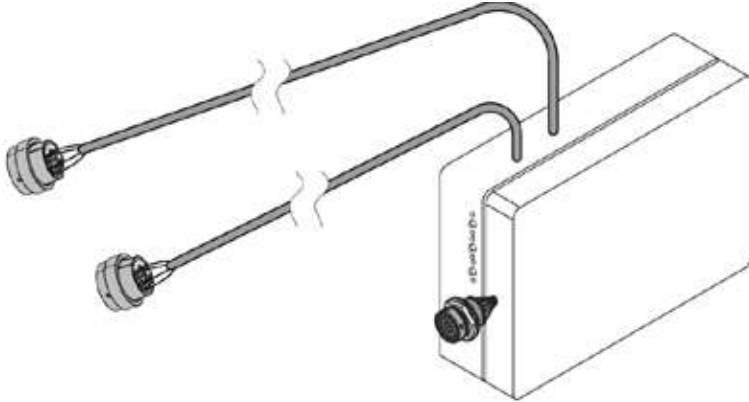


TA 0606

STEYR MARINE
OPTION

KIT E-BOX EXTERNAL 12V (SE 6 CYL.)

ME1204020



* suitable for all SE 6 Cyl. Engines



KIT E-BOX EXTERNAL 12V (SE 6 CYL.)



Pos.	Part.-No.	Qty	Designation	Step



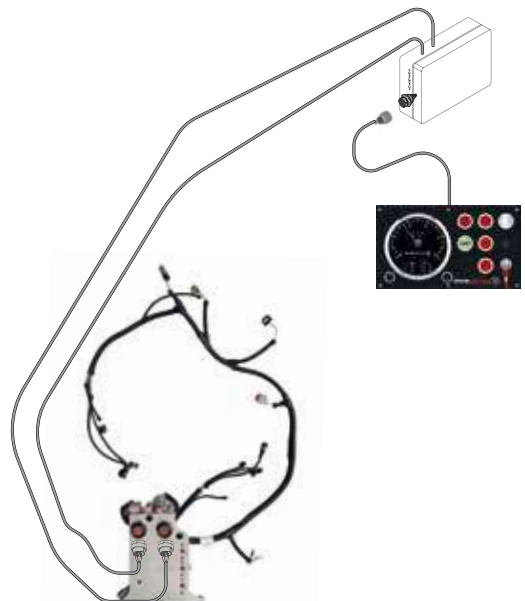
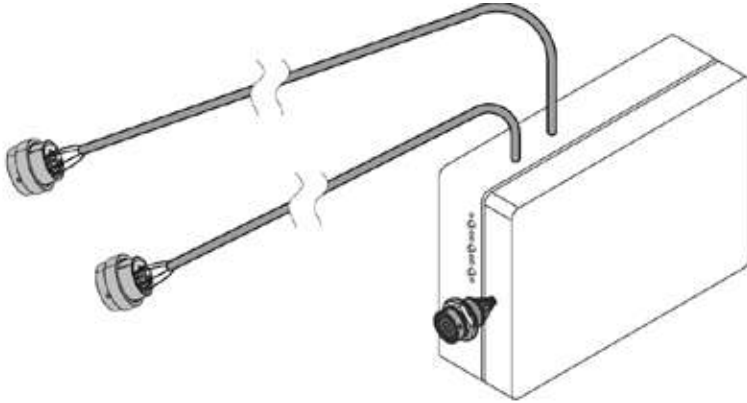


TA 0606

STEYR MARINE
OPTION


KIT E-BOX EXTERNAL 12V 2-POL (SE 6 CYL.)

ME1204030



* suitable for all SE 6 Cyl. Engines



<p>KIT E-BOX EXTERNAL 12V 2-POL (SE 6 CYL.)</p>	<p>STEYR MARINE OPTION</p> 
--	---

Pos.	Part.-No.	Qty	Designation	Step



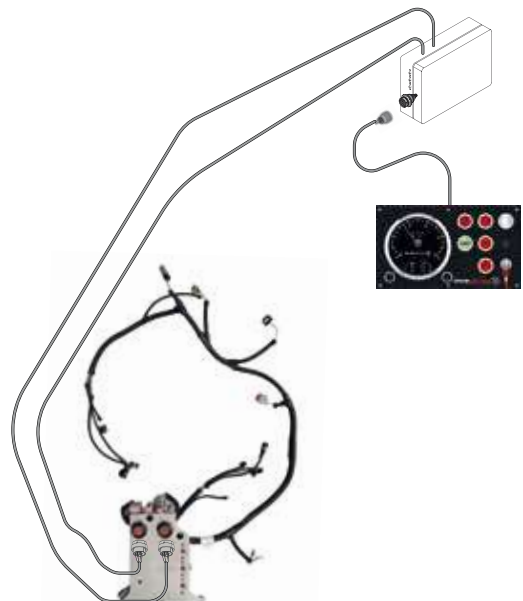
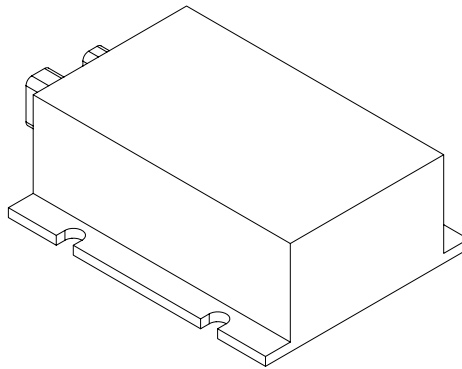
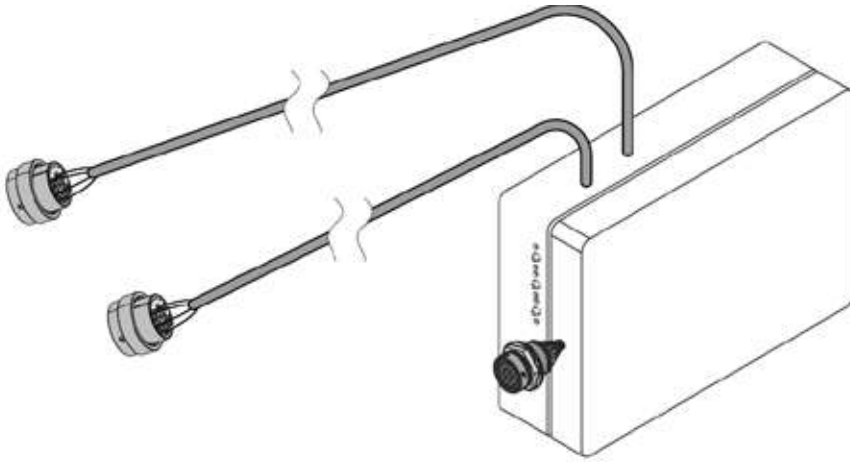


TA 0606

STEYR MARINE
OPTION

KIT E-BOX EXTERNAL 24V (SE 6 CYL.)

ME1204040



* suitable for all SE 6 Cyl. Engines



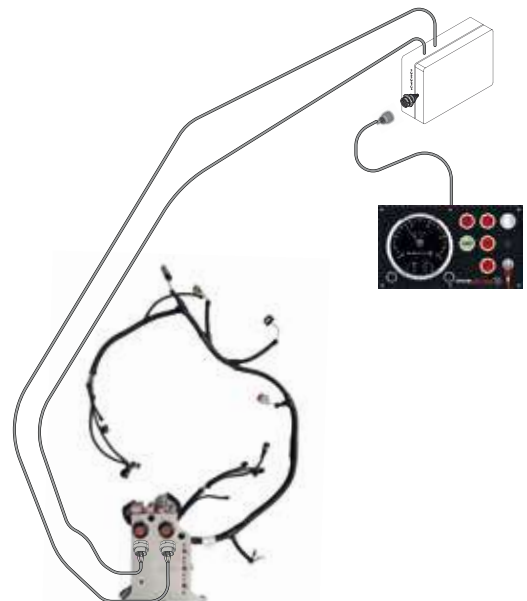
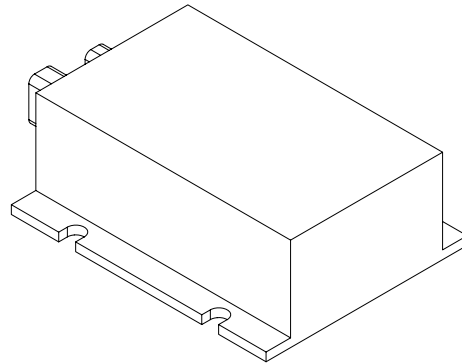
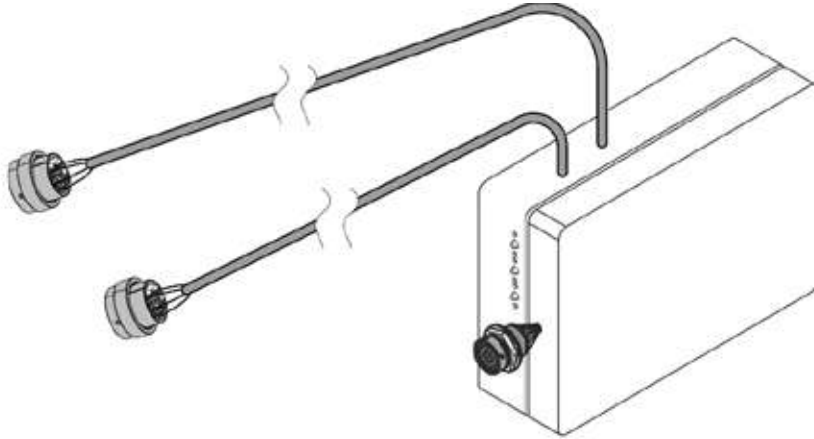


TA 0606

STEYR MARINE
OPTION


KIT E-BOX EXTERNAL 24V 2-POL (SE 6 CYL.)

ME1204050



* suitable for all SE 6 Cyl. Engines



KIT E-BOX EXTERNAL 24V 2-POL (SE 6 CYL.)	
---	---

Pos.	Part.-No.	Qty	Designation	Step





TA 0601

STEYR MARINE
OPTION

KIT ELECTRIC 2-POLE (SE 4 & 6 CYL.)

ME1312010



* suitable for all SE 6 Cyl. Engines

** suitable for: SE144E38
SE164E40





KIT ELECTRIC 2-POLE (SE 4 & 6 CYL.)	STEYR MARINE OPTION
--	--------------------------------

Pos.	Part.-No.	Qty	Designation	Step



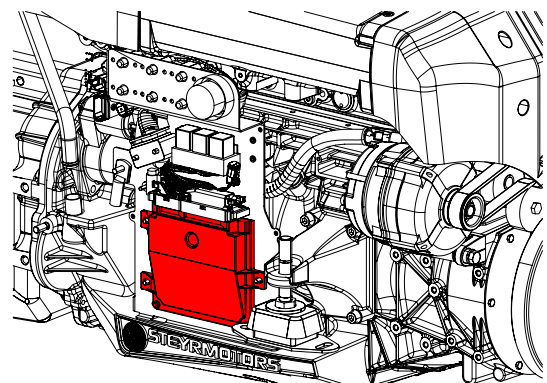
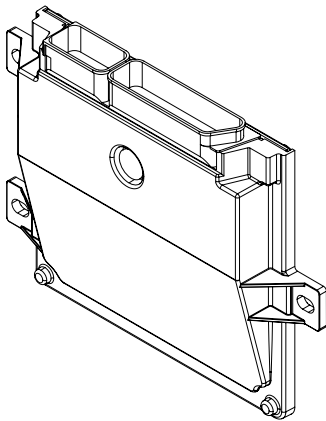


TA 0606

STEYR MARINE
OPTION

KIT ENGINE RPM LIMIT.F.2XSE286E40 (2021)

ME2102010



* suitable for: SE286E40



KIT ENGINE RPM LIMIT.F.2XSE286E40 (2021)

STEYR MARINE
 **OPTION**

Pos.	Part.-No.	Qty	Designation	Step



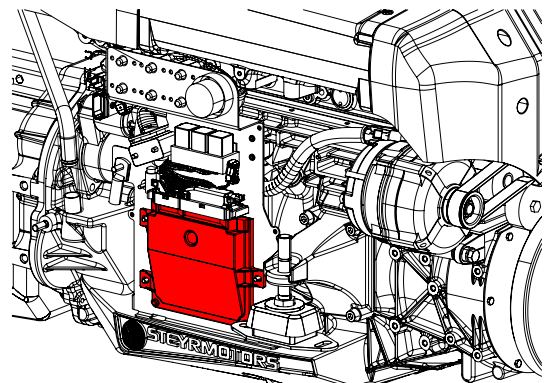
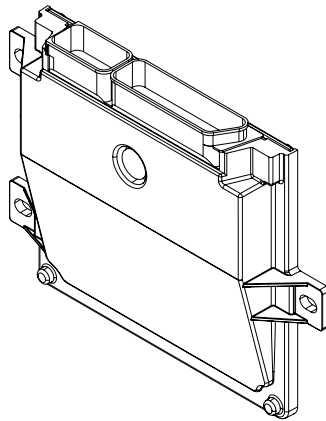


TA 0606

STEYR MARINE
OPTION

2.ECU F.KIT ENGINE RPM LIMIT.SE286(2021)

ME2102020



* suitable for: SE286E40



2.ECU F.KIT ENGINE RPM LIMIT.SE286(2021)	STEYR MARINE 
---	--

Pos.	Part.-No.	Qty	Designation	Step





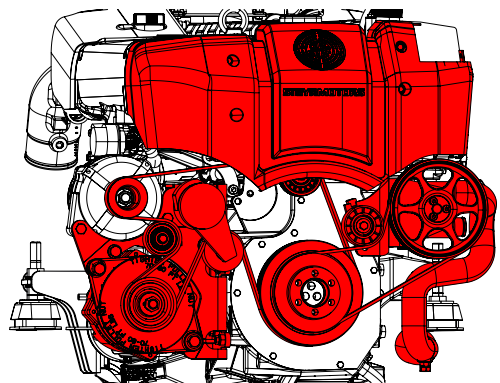
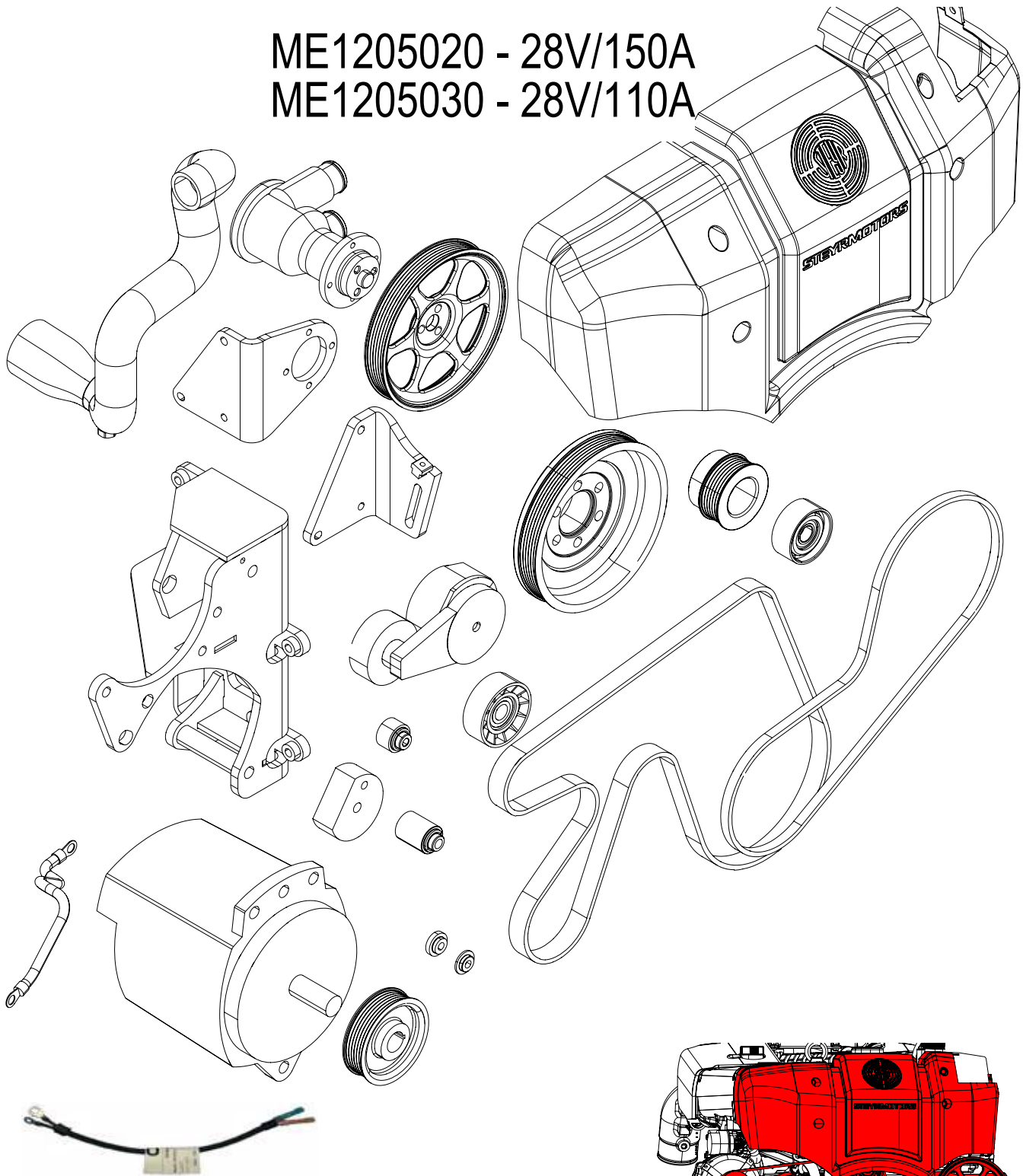
TA 0601

STEYR MARINE
OPTION

KIT ALTERNATOR 28V-150A / 28V-110A (SE 6 CYL.)

ME1205020 - 28V/150A

ME1205030 - 28V/110A



* suitable for all SE 6 Cyl. Engines



KIT ALTERNATOR 28V-150A / 28V-110A (SE 6 CYL.)



Pos.	Part.-No.	Qty	Designation	Step



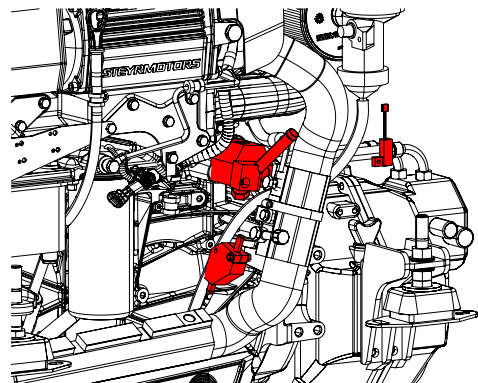
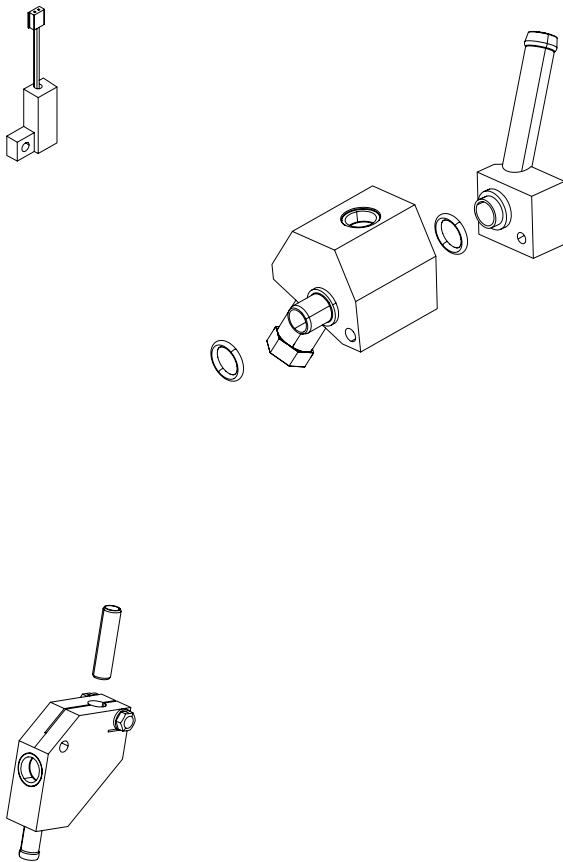


TA 0304

STEYR MARINE
OPTION

KIT SOLAS 6 CYL. EXCL. PANEL

MS1111020



* suitable for all SE 6 Cyl. Engines



KIT SOLAS 6 CYL. EXCL. PANEL



Pos.	Part.-No.	Qty	Designation	Step



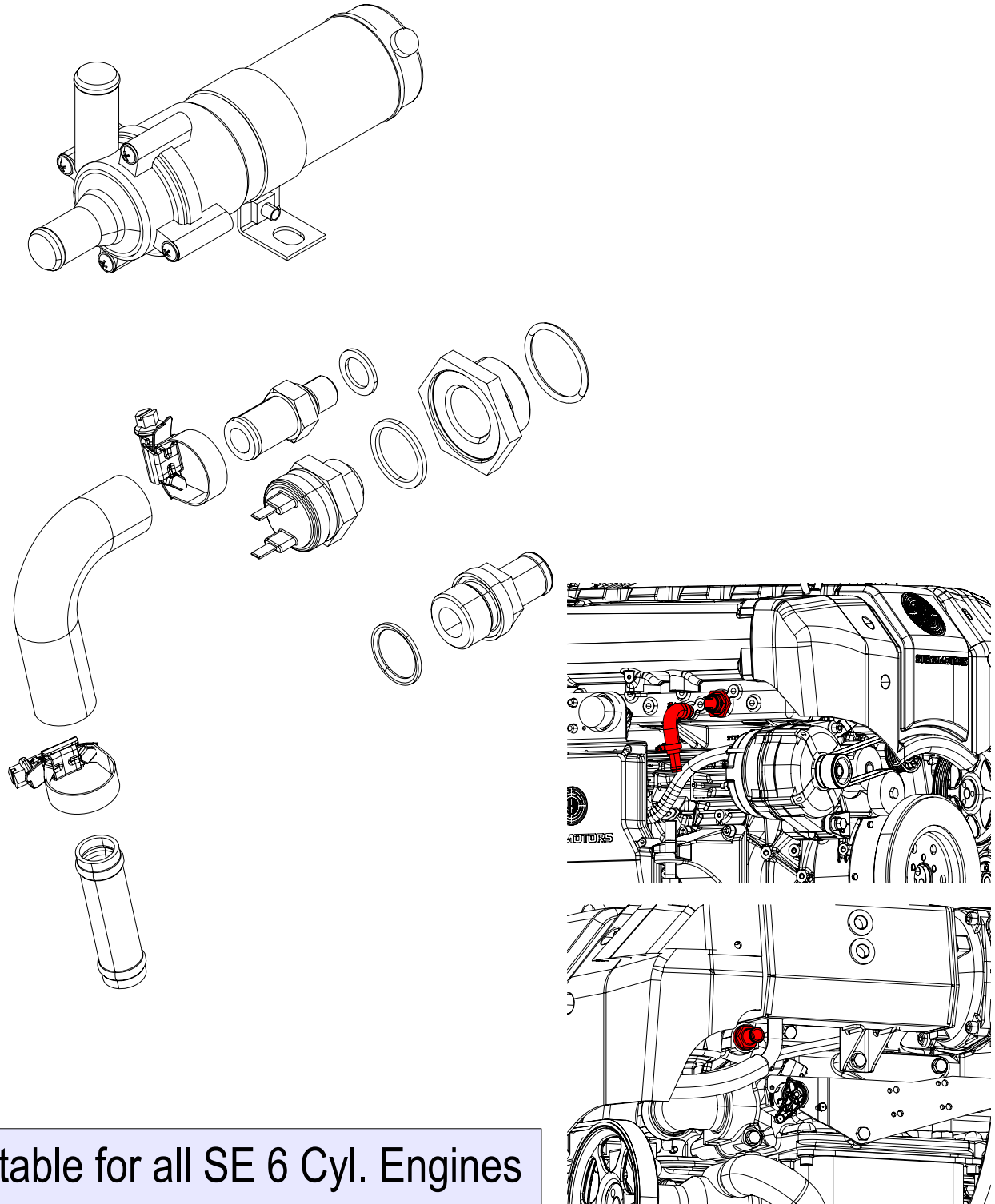


TA 6012

STEYR MARINE
OPTION

HOT WATER FITTING KIT

MS1111070



* suitable for all SE 6 Cyl. Engines



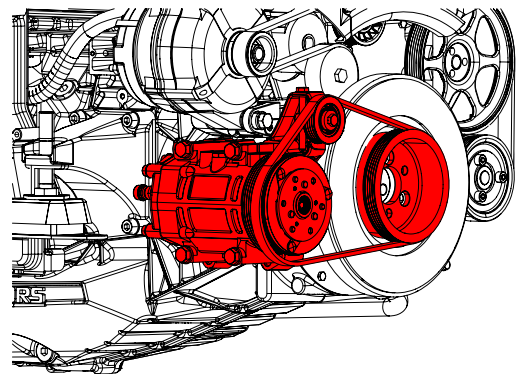
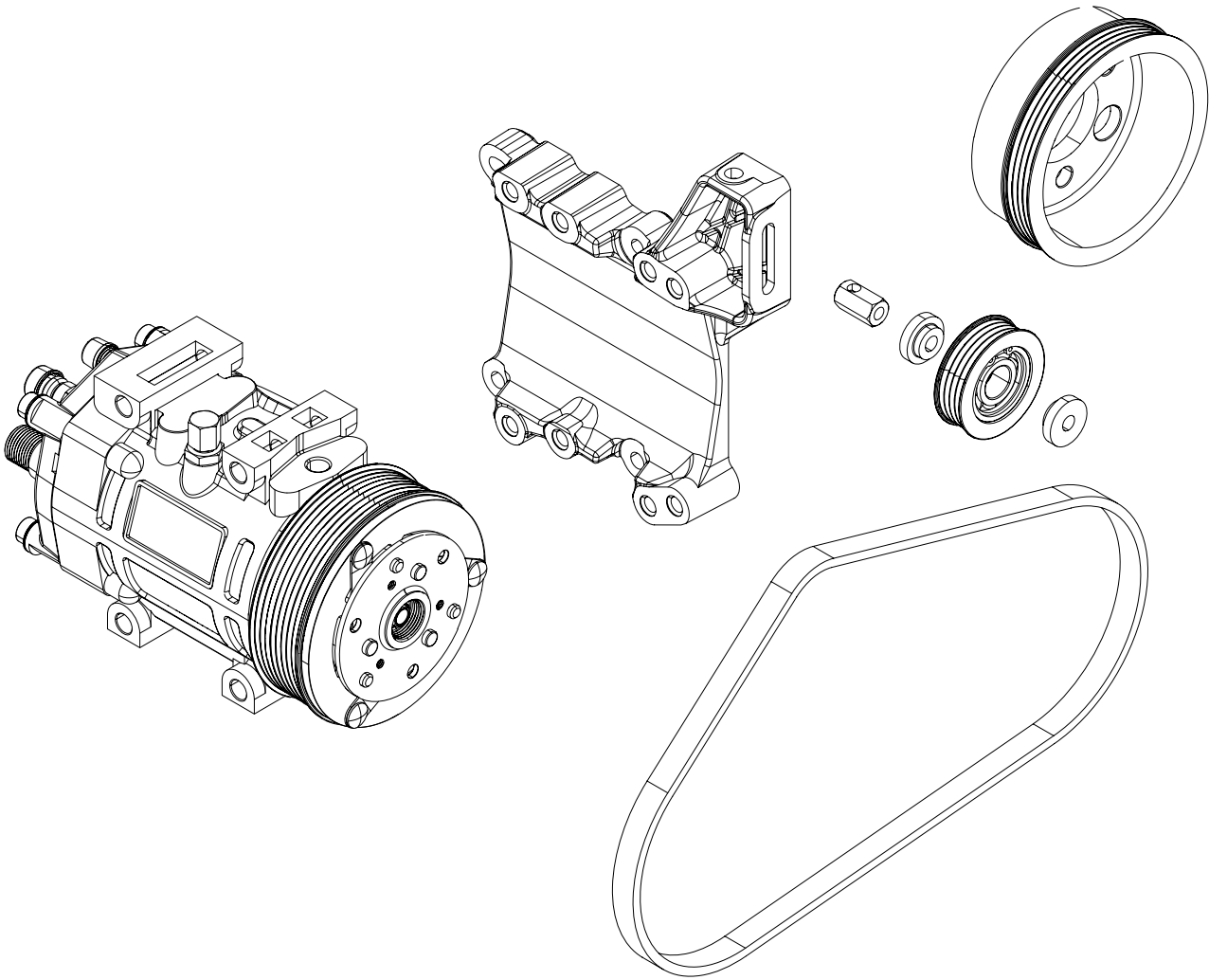


TA 5200

STEYR MARINE
OPTION

KIT AIR CONDITIONING COMPRESSOR UX-170

MS1201010



* suitable for all SE 6 Cyl. Engines



KIT AIR CONDITIONING COMPRESSOR UX-170

**STEYR MARINE
OPTION**

Pos.	Part.-No.	Qty	Designation	Step



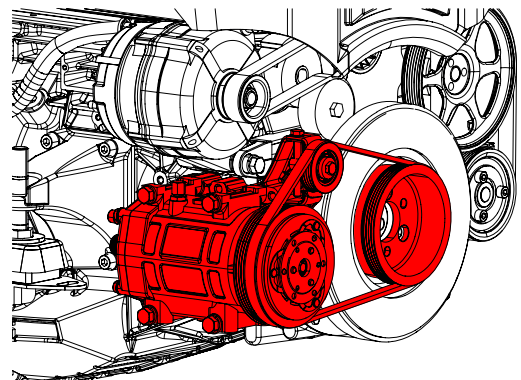
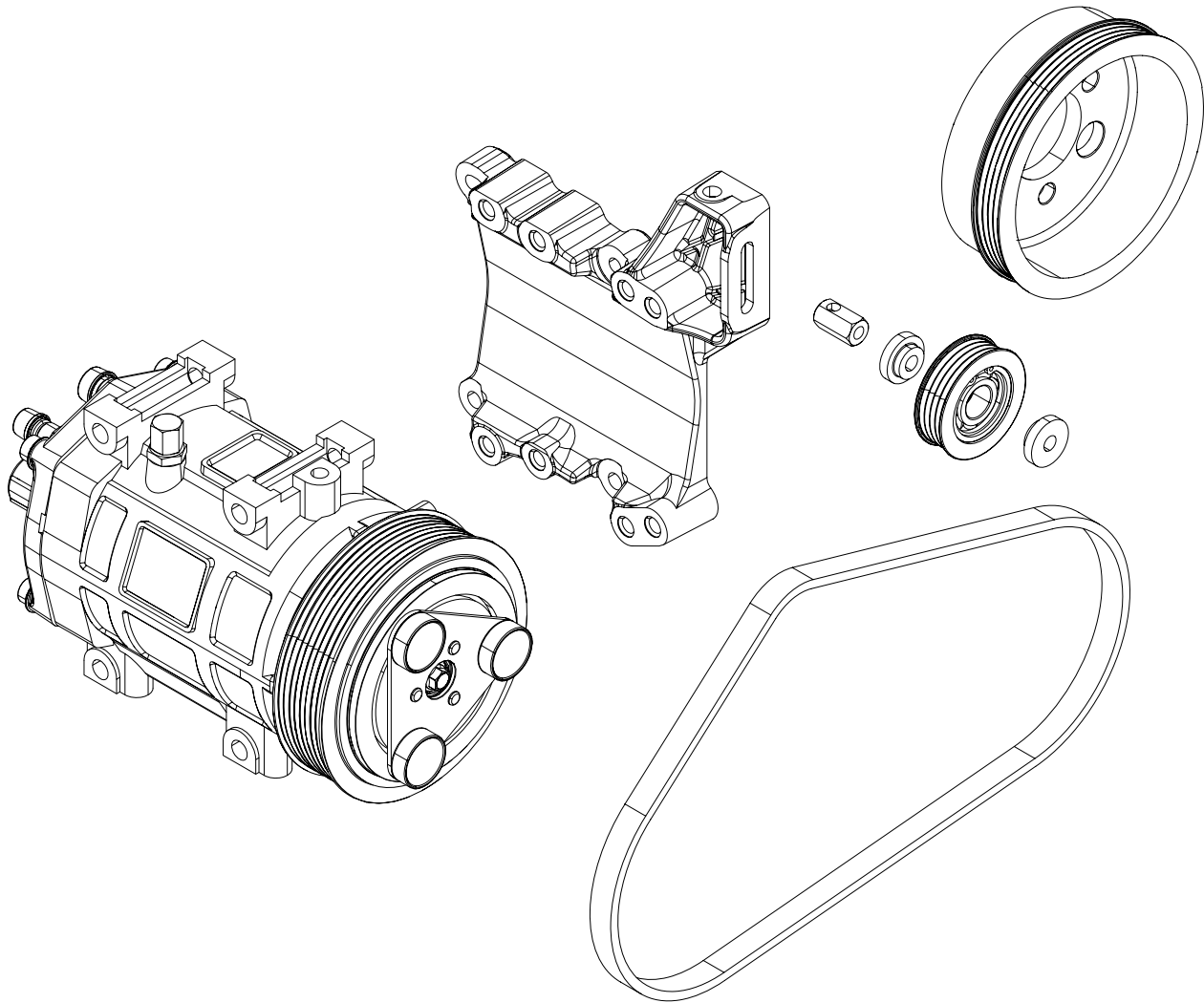


TA 5200

STEYR MARINE
OPTION

KIT AIR CONDITIONING COMPRESSOR UX-200

MS1201020



* suitable for all SE 6 Cyl. Engines



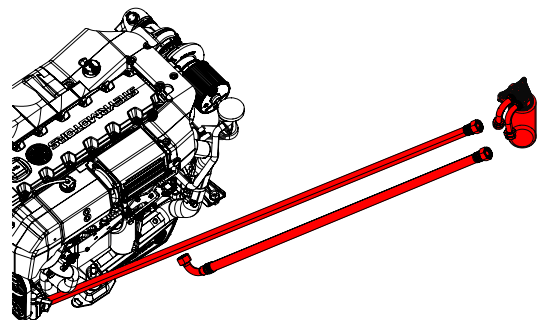
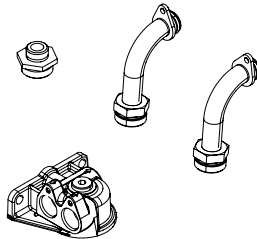
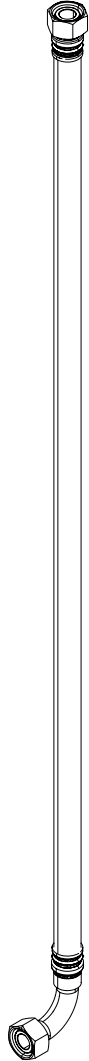
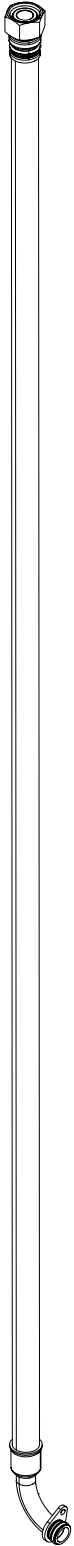


TA 0106

STEYR MARINE
OPTION

KIT OILFILTER EXTERNAL L=1.2M

Z026138-0



* suitable for all SE 6 Cyl. Engines



KIT OILFILTER EXTERNAL L=1.2M

STEYR MARINE
 **OPTION**

Pos.	Part.-No.	Qty	Designation	Step





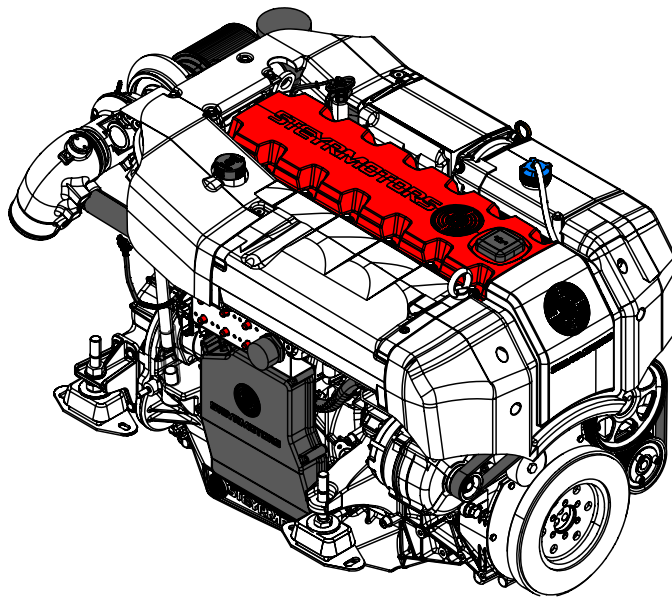
TA 8010

STEYR MARINE
OPTION

KIT ENGINE WHITE PAINTED (SE 6 CYL.)

MS1206010

ENGINE PAINT RAL 9010 (WHITE) 2,5kg



* suitable for all SE 6 Cyl. Engines



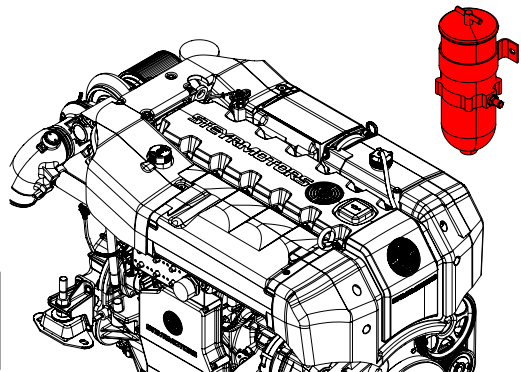
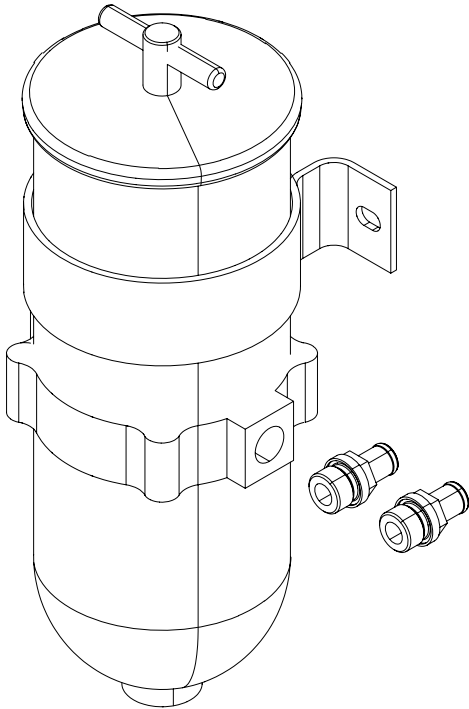


TA 0309

STEYR MARINE
OPTION

KIT FUEL PREFILTER (3M CABLE)

MS1203010



* suitable for all SE 6 Cyl. Engines





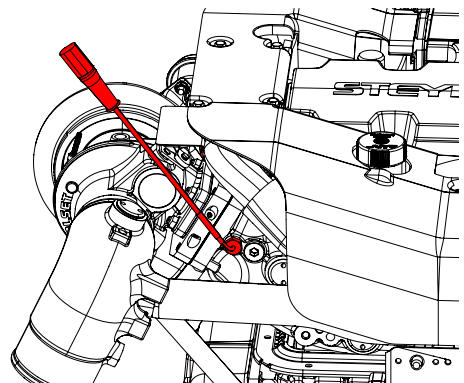
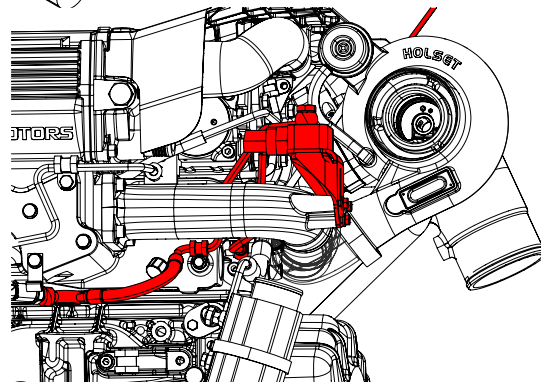
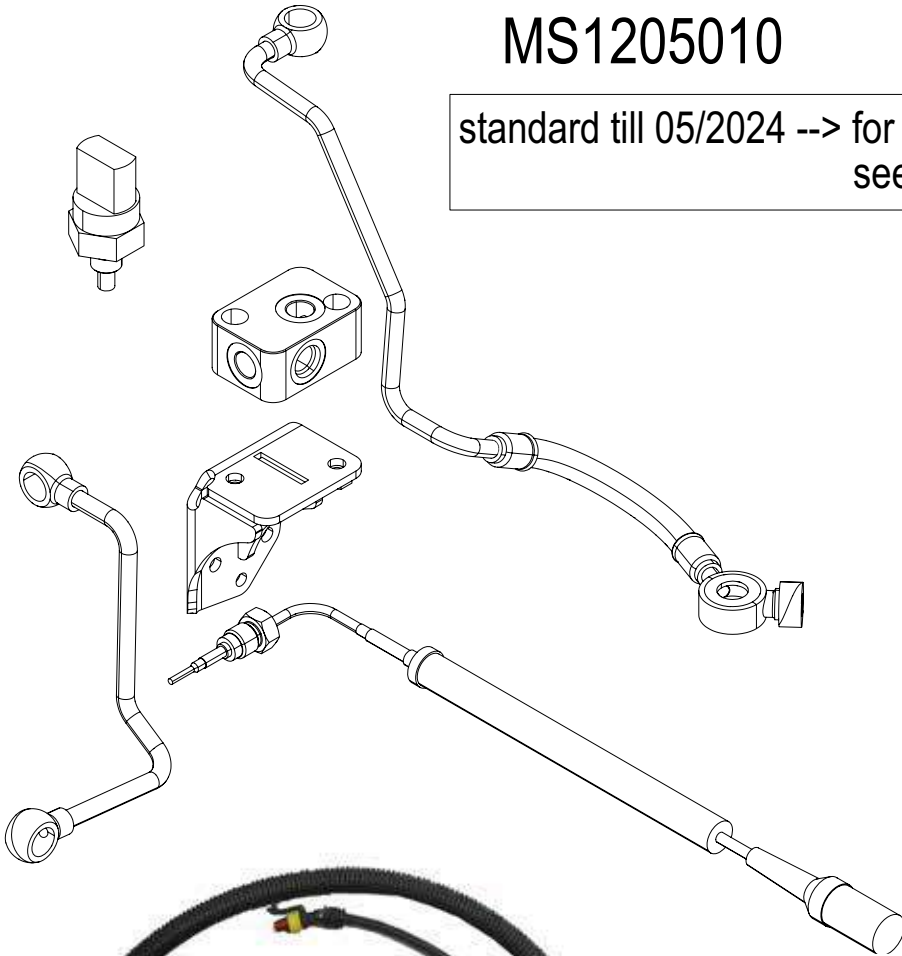
TA 0302

STEYR MARINE
OPTION

KIT FUEL COMPENSATION (NON STANDARD)

MS1205010

standard till 05/2024 --> for current standard see MS2402020



* suitable for all SE 6 Cyl. Engines



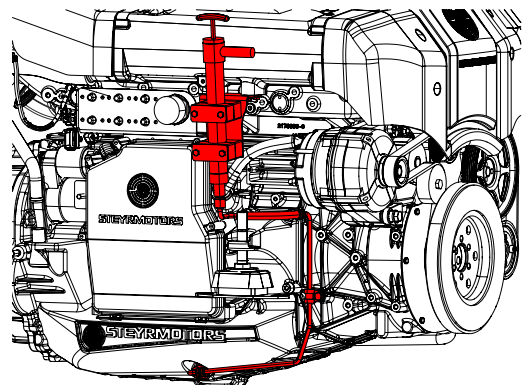
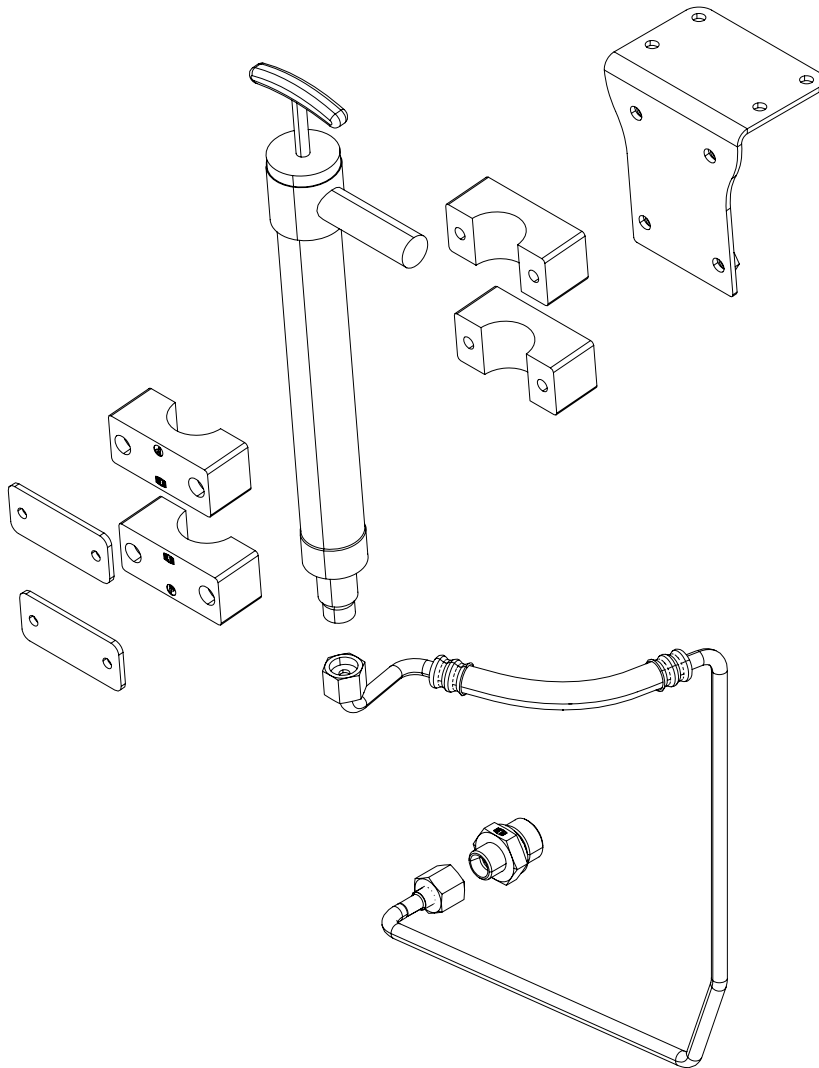


TA 5520

STEYR MARINE
OPTION

KIT OIL DR. PUMP HAND OPERA. (SE 6 CYL.)

MA1201020



* suitable for all SE 6 Cyl. Engines





TA 8020

STEYR MARINE
OPTION

KIT PREPARATION FOR AIR FREIGHT

MS1302010



* suitable for all SE 6 Cyl. Engines

** suitable for: SE144E38
SE164E40



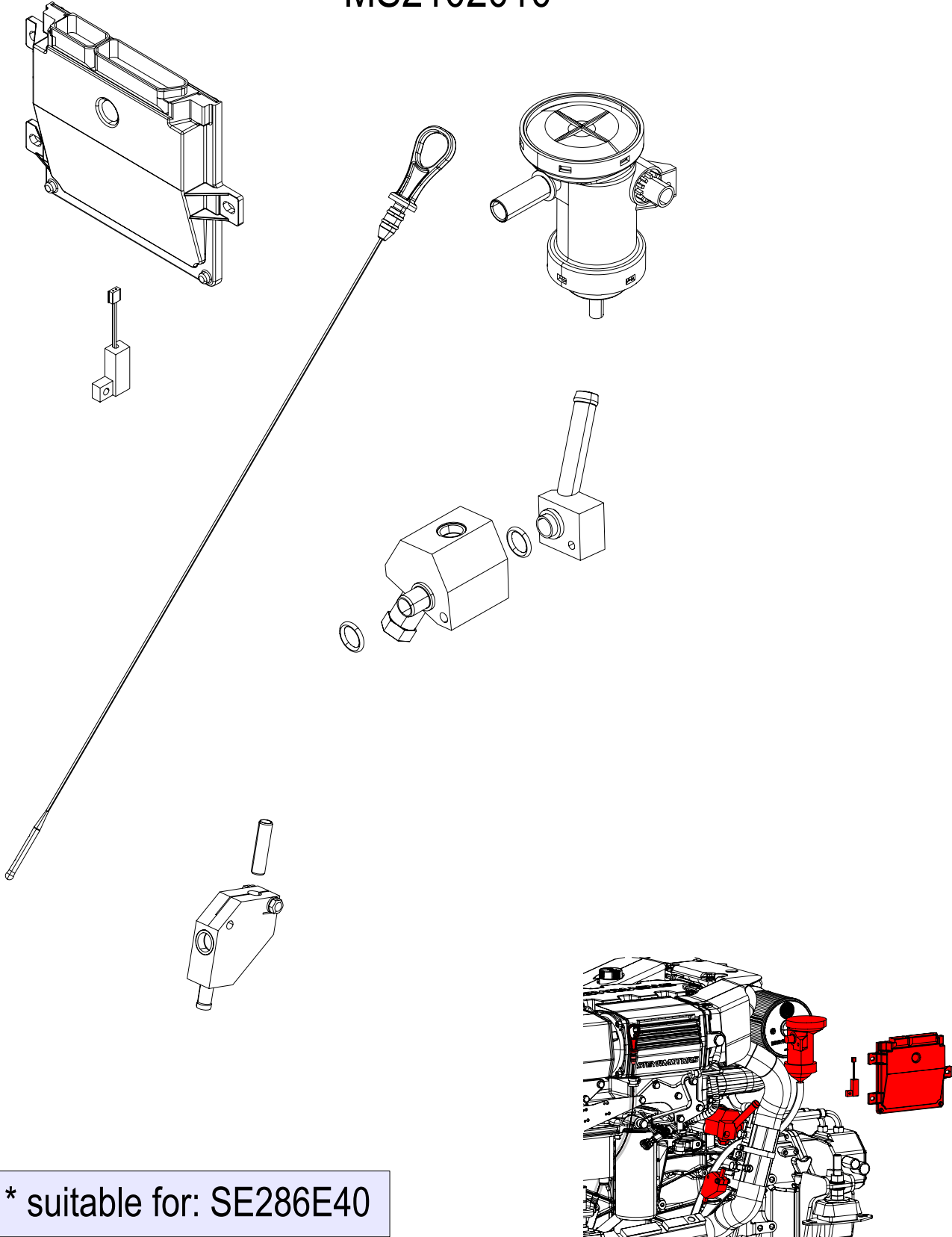


TA 0304

STEYR MARINE
OPTION

KIT DNV OS E406 SE286E40 (2021)

MS2102010



* suitable for: SE286E40





TA 2207

STEYR MARINE
OPTION

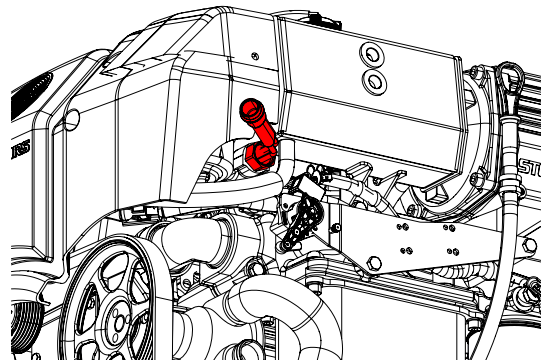
KIT BLOCK HEATING DEVICE 42V - 300W

ME1111010



* suitable for all SE 6 Cyl. Engines

** suitable for: SE144E38
SE164E40



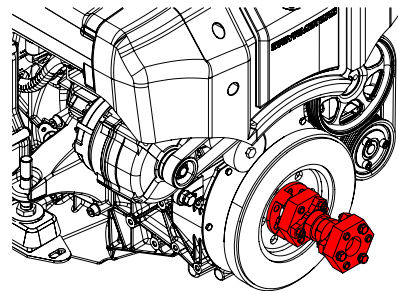
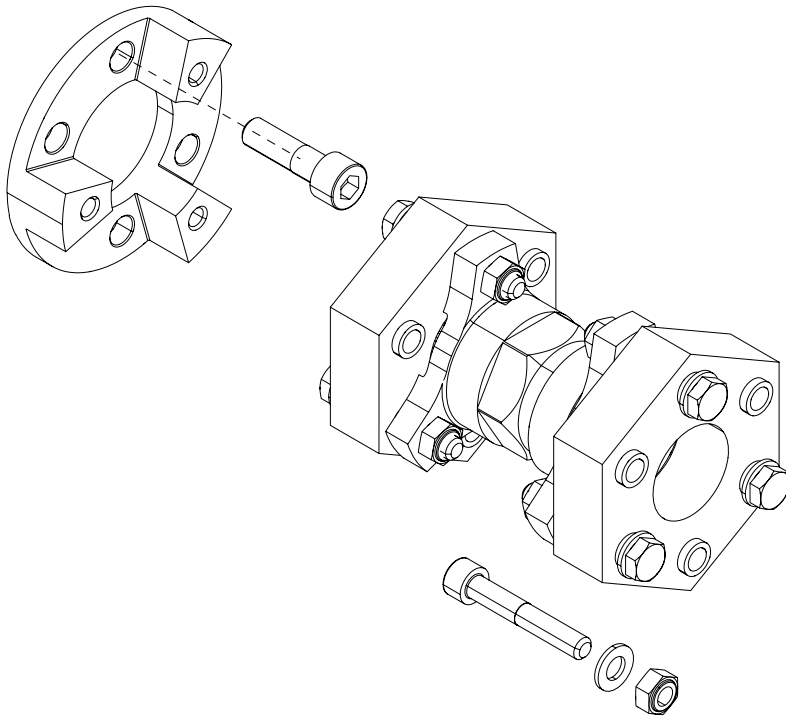


TA 0109

STEYR MARINE
OPTION

KIT PTO-FRONT SE 6 CYL.

MA2108020



* suitable for all SE 6 Cyl. Engines



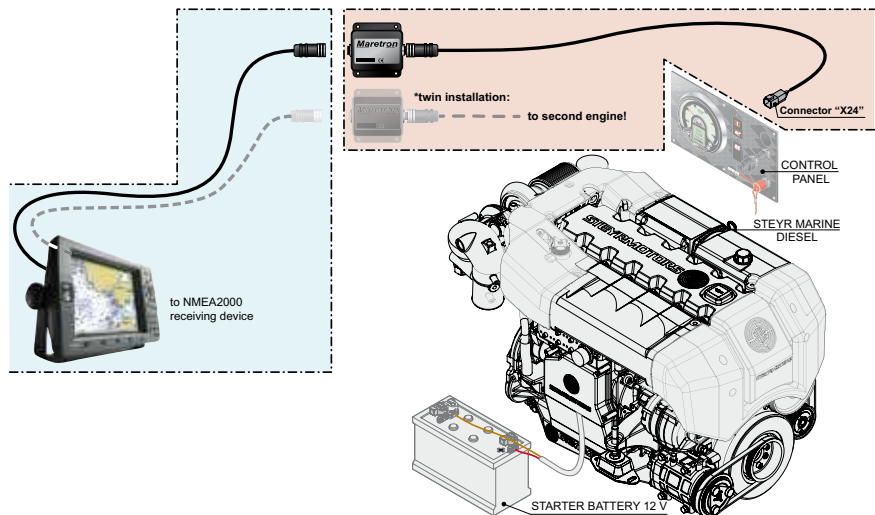


TA 0607

STEYR MARINE
OPTION

KIT CONVER. J1939 - NMEA 2000 (TO PANEL)

ME1308020



* suitable for all SE 6 Cyl. Engines

** suitable for: SE144E38
SE164E40



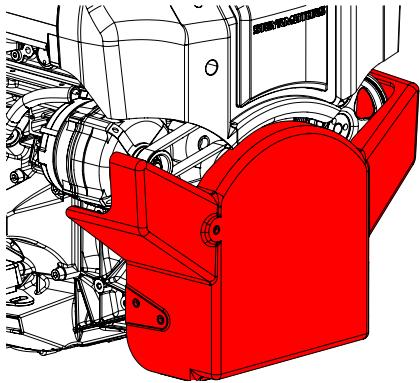
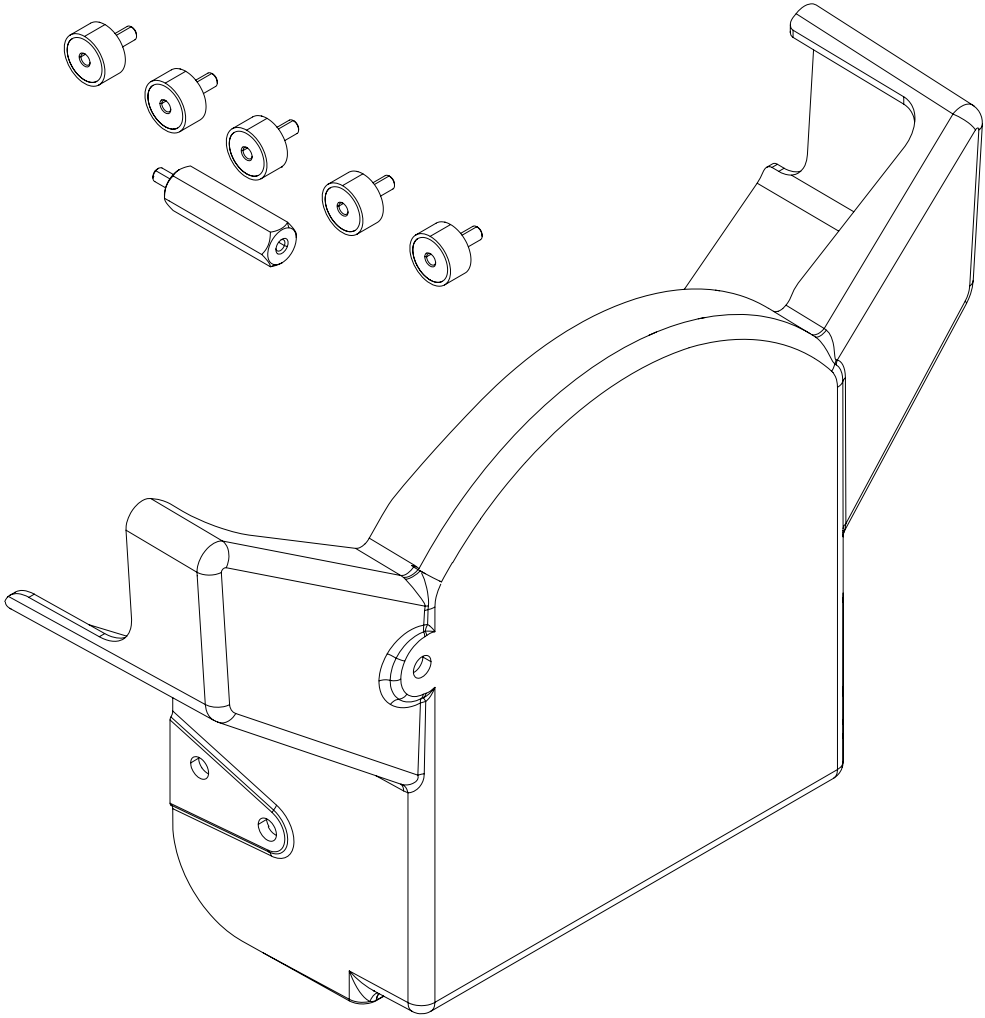


TA 0100

STEYR MARINE
OPTION

KIT FEAD COVER

MS1410040



* suitable for all SE 6 Cyl. Engines



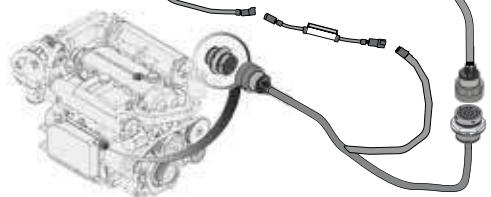


TA 0306

STEYR MARINE
OPTION

KIT FUEL LEVEL SENSOR CAN (W/O ENCODER)

ME1411030



* suitable for all SE 6 Cyl. Engines

** suitable for: SE144E38
SE164E40



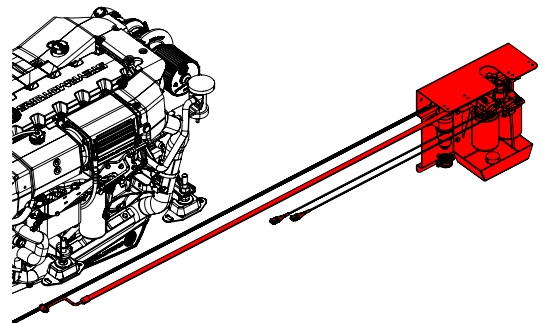
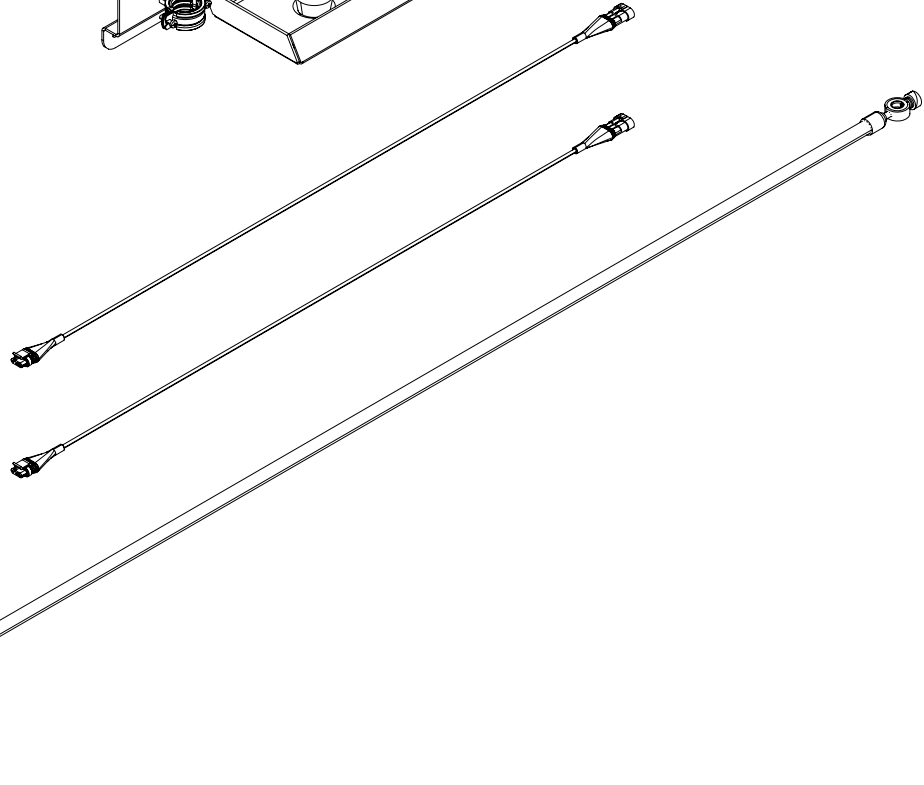
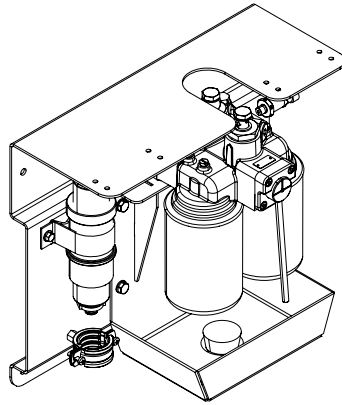


TA 0300

STEYR MARINE
OPTION

KIT FUEL SYSTEM RMR COMPLETE

MS1607010



* suitable for all SE 6 Cyl. Engines





TA 8030

STEYR MARINE
OPTION

KIT CCS CERTIFICATION

MS1711010

STEYRMOTORS Engine Stamping

Manuelnummer: 706/01
 Nummer Index: 00
 Datum: 12.07.2017
 Seite Nummer: 12/2017

CCS ENGINE STAMPING

Assessing the Top Approval MS-000000 each engine which is homologated as CCS engine must be stamped with the "CCS Stamp".
 The following picture will give the correct stamp area of the stamping for a 60 A cylinder engine.

STEYRMOTORS Engine Stamping

Manuelnummer: 706/01
 Nummer Index: 00
 Datum: 12.07.2017
 Seite Nummer: 12/2017

CCS ENGINE STAMPING

Assessing the Top Approval MS-000000 each engine which is homologated as CCS engine must be stamped with the "CCS Stamp".
 The following picture will give the correct stamp area of the stamping for a 60 A cylinder engine.

STEYRMOTORS Engine Stamping

Manuelnummer: 706/01
 Nummer Index: 00
 Datum: 12.07.2017
 Seite Nummer: 12/2017

CCS ENGINE STAMPING

Assessing the Top Approval MS-000000 each engine which is homologated as CCS engine must be stamped with the "CCS Stamp".
 The following picture will give the correct stamp area of the stamping for a 60 A cylinder engine.

STEYRMOTORS Asbestos-free Declaration

Asbestos-free Declaration

Manufacturer's information

Company Name: STEYR MOTORS GmbH
 Company Address: Am Stadlgraben 81
 4040 Steyr
 Austria
 Contact address: Stroßwagner 100/100B
 Telephone Number: +43 (0) 7242 222-0
 FAX Number: +43 (0) 7242 222-20
 E-mail Address: service@steyr-motors.com

Product information

Product Name: 50/60 Cylinder Series
 50/60 Cylinder Series
 50/60 Cylinder Series

Type	Product Name
SE144E38	SE144E38
SE164E40	SE164E40
SE286E40	SE286E40
SE306J38	SE306J38
SE306J40	SE306J40
SE306J42	SE306J42
SE306J44	SE306J44
SE306J46	SE306J46
SE306J48	SE306J48
SE306J50	SE306J50
SE306J52	SE306J52
SE306J54	SE306J54
SE306J56	SE306J56
SE306J58	SE306J58
SE306J60	SE306J60
SE306J62	SE306J62
SE306J64	SE306J64
SE306J66	SE306J66
SE306J68	SE306J68
SE306J70	SE306J70
SE306J72	SE306J72
SE306J74	SE306J74
SE306J76	SE306J76
SE306J78	SE306J78
SE306J80	SE306J80
SE306J82	SE306J82
SE306J84	SE306J84
SE306J86	SE306J86
SE306J88	SE306J88
SE306J90	SE306J90
SE306J92	SE306J92
SE306J94	SE306J94
SE306J96	SE306J96
SE306J98	SE306J98
SE306J100	SE306J100

This company declares the products listed above as asbestos-free and in conformity with the procedures and relevant requirements of the following documents as listed below:

Applicable Regulation(s) or other applicable Requirement(s)	Document No.	Date	Version
MS 100/01	Requirements to the International Convention for Safety of Life at Sea, 1974, as amended		
IMO MSC.1/Circ.1174	Unified interpretation of SOLAS Regulation 3-1.1.2		
IMO MSC.1/Circ.1175	Quality Management Systems		
IMO MSC.1/Circ.1181	Unified interpretation of SOLAS Regulation 3-1.1.2		

Approved by: Dr. Michael KÖRBER

Company: STEYR MOTORS

Signature:

Job Title: CEO

Date: 12/2017

Place: Steyr

* suitable for all SE 6 Cyl. Engines except SE286E40 and SE306J38

** suitable for: SE144E38
SE164E40





TA 0100

STEYR MARINE
OPTION

KIT COMPLETED ENGINE RUN-IN

MS1807010

SPEZIAL WINTER DIESEL (225 LITER)

* suitable for all SE 6 Cyl. Engines

** suitable for: SE144E38
SE164E40



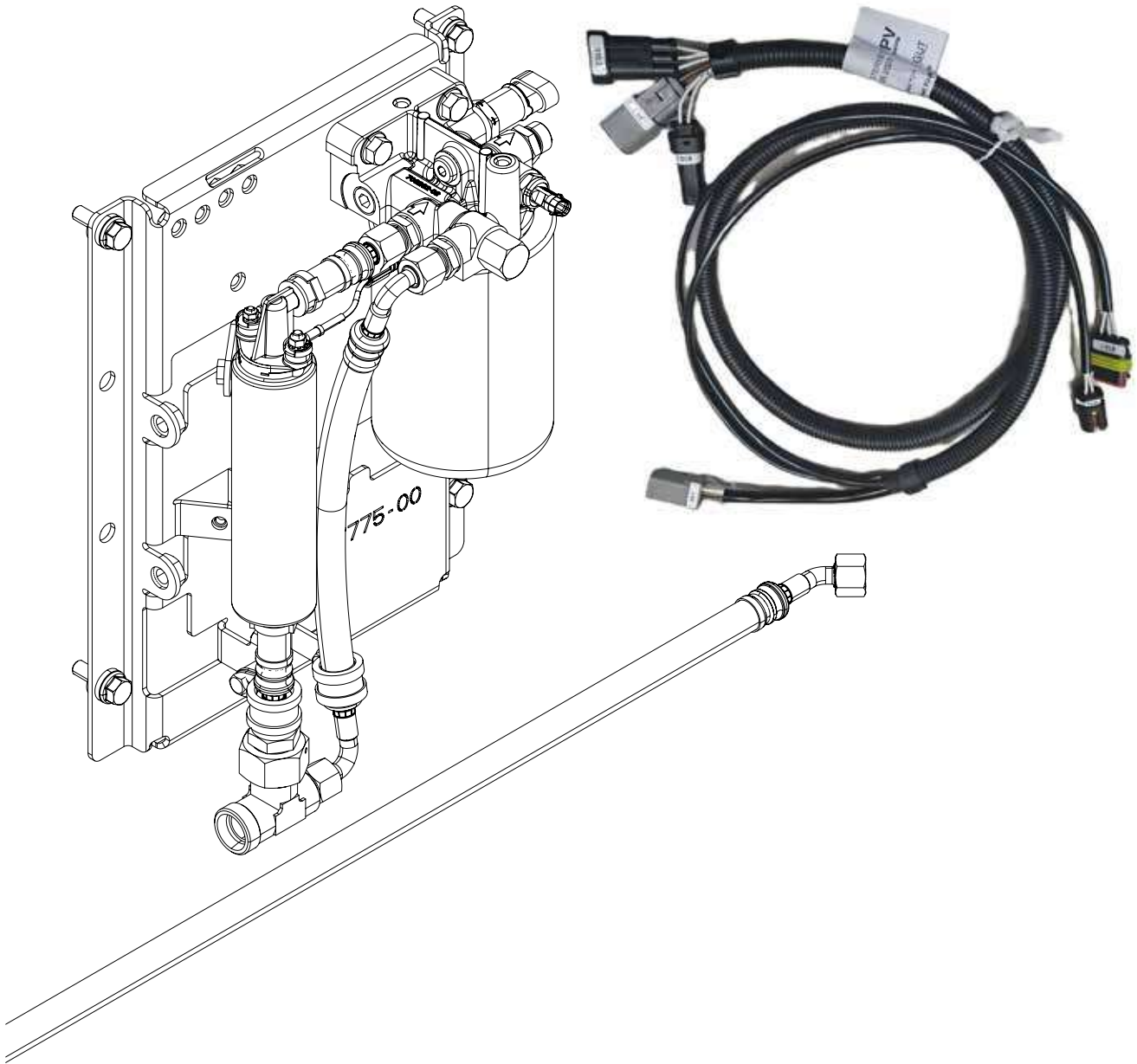


TA 0300

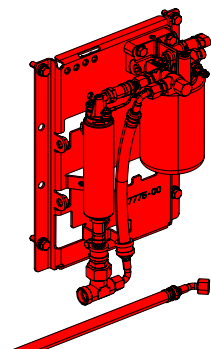
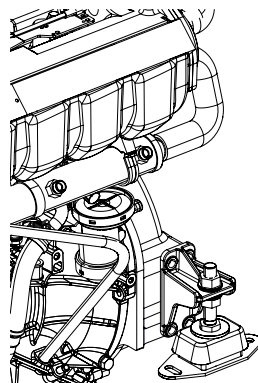
STEYR MARINE
OPTION

KIT FUEL SYSTEM 4 CYL. UI-MARINE

MS2301010



**** suitable for: SE144E38
SE164E40**





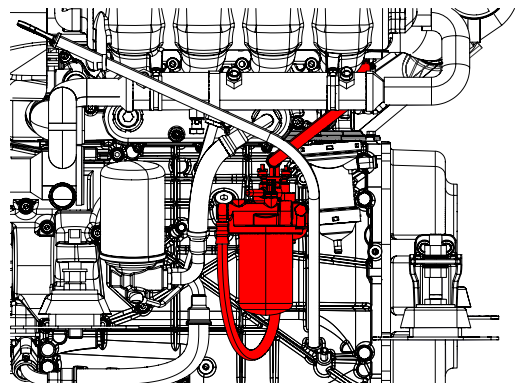
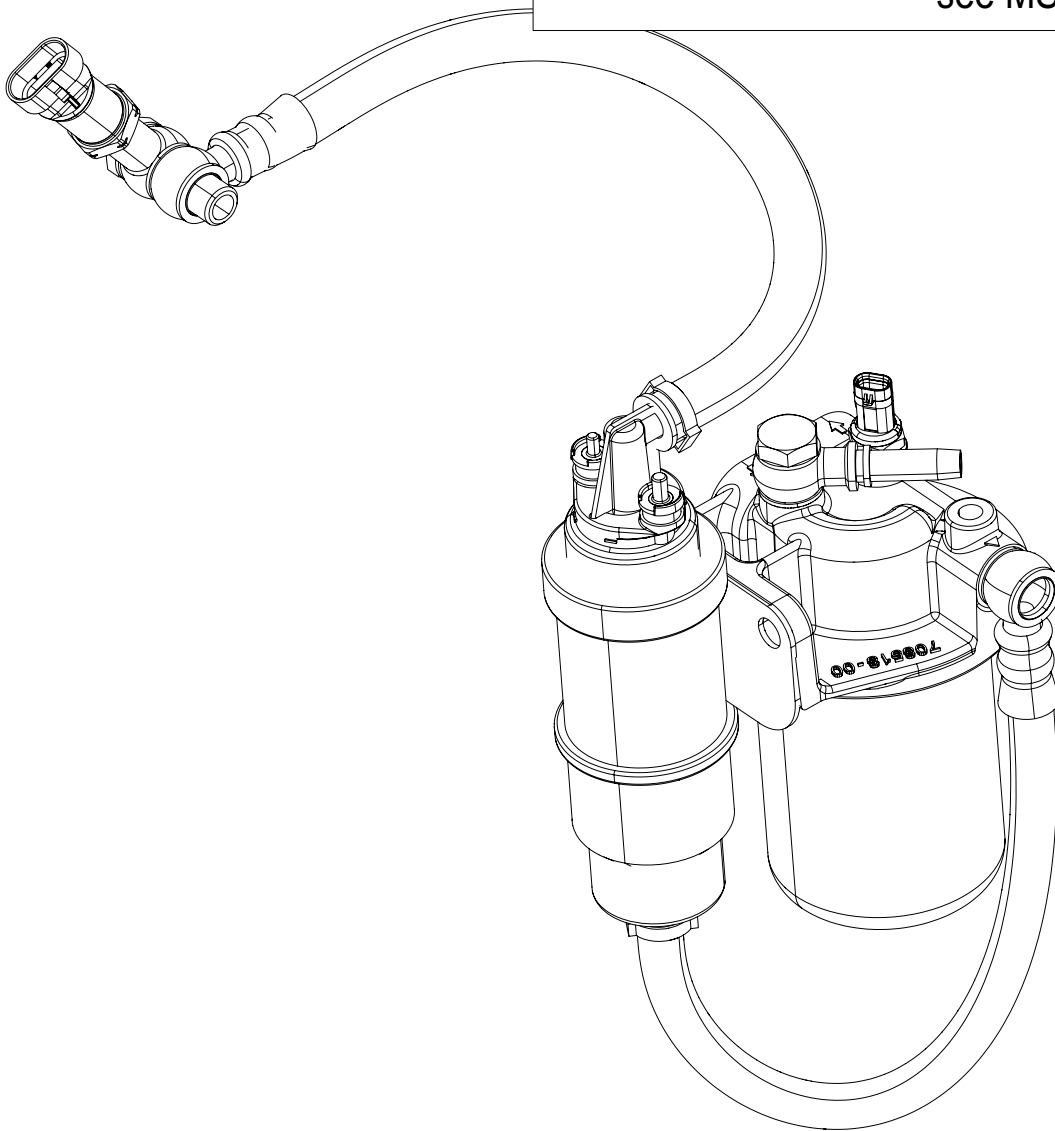
TA 0300

STEYR MARINE
OPTION

KIT FUEL SYS. ENGINE MOUNTED 4 CYL. MAR.

MS2301030

standard till 05/2024 --> for current standard
see MS2301010



** suitable for: SE144E38
SE164E40



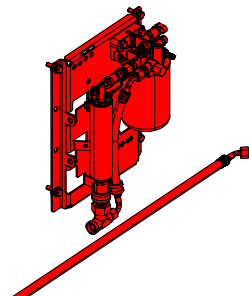
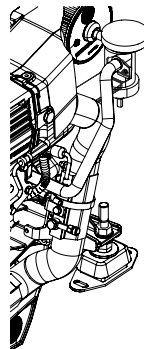
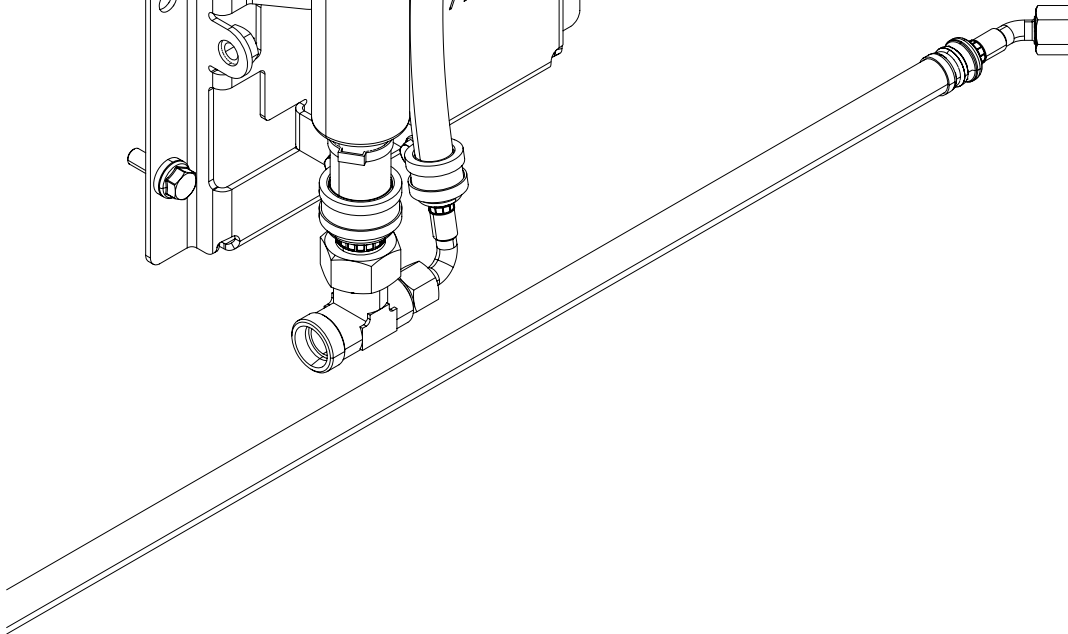
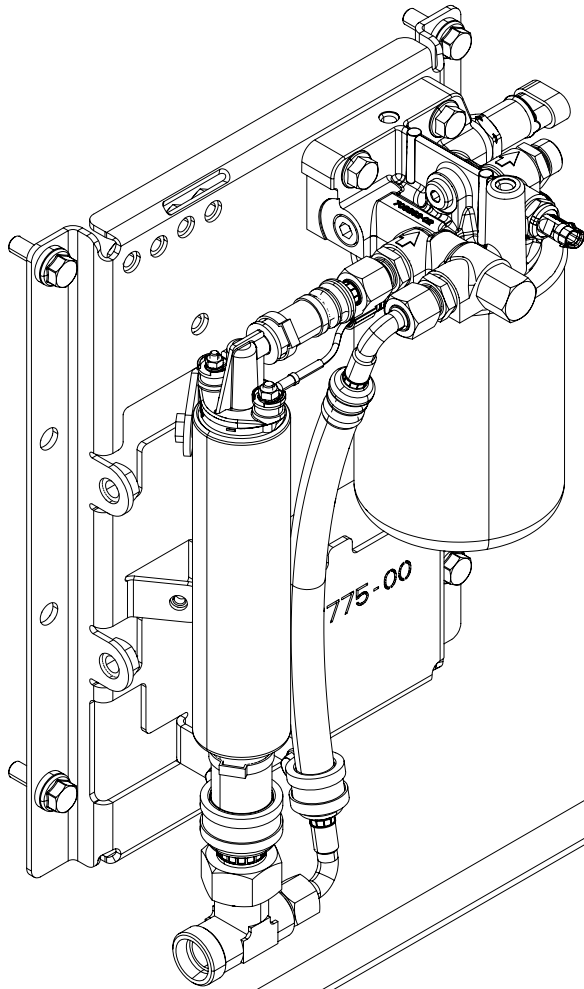


TA 0300

STEYR MARINE
OPTION

KIT FUEL SYSTEM 6 CYL. UI-MARINE

MS2301020



* suitable for all SE 6 Cyl. Engines





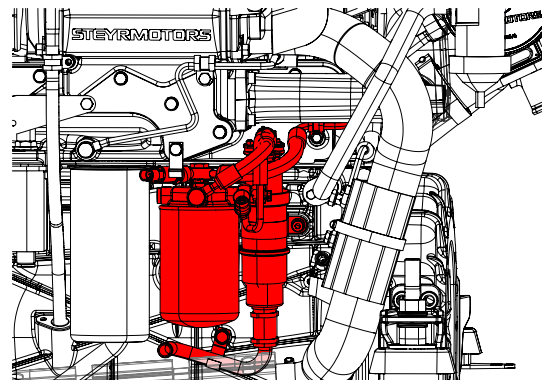
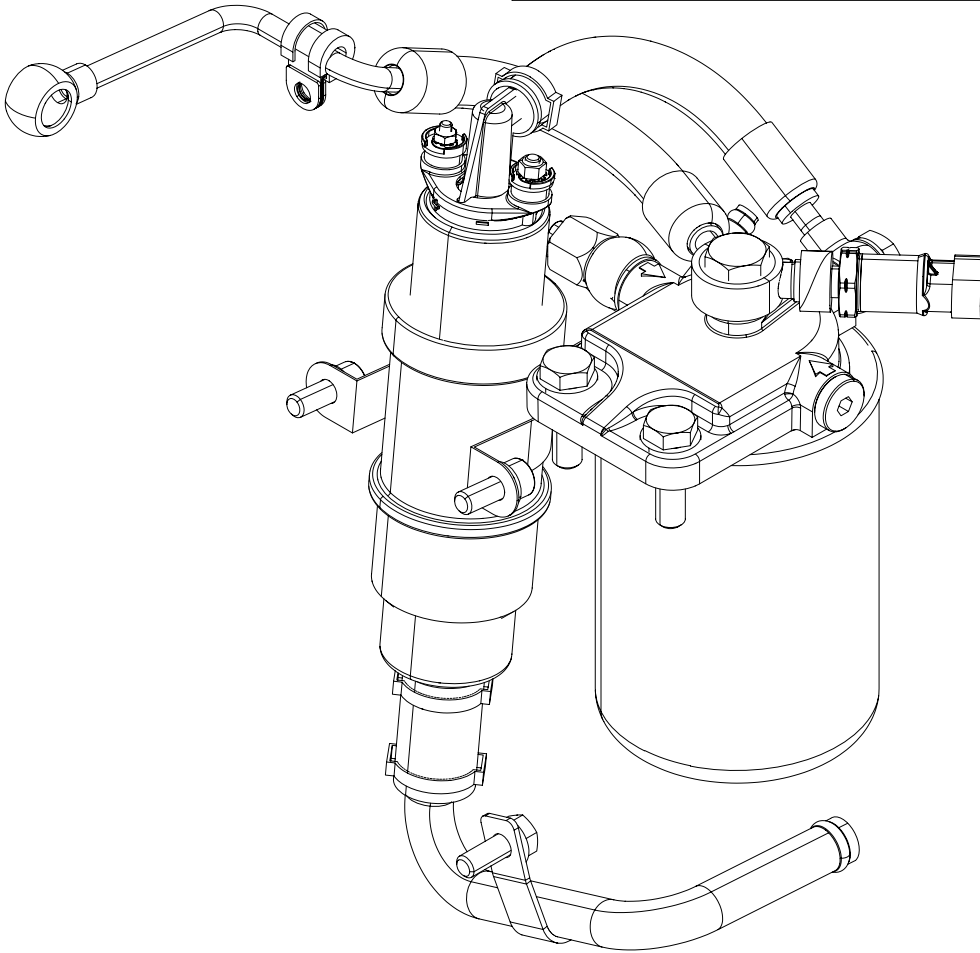
TA 0300

STEYR MARINE
OPTION

KIT FUEL SYS. ENGINE MOUNTED 6 CYL. MAR.

MS2301040

standard till 05/2024 --> for current standard
see MS2301020



* suitable for all SE 6 Cyl. Engines



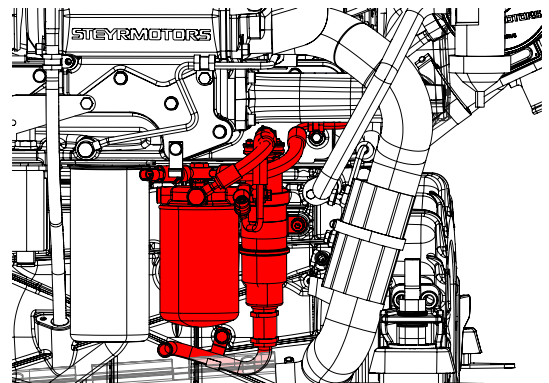
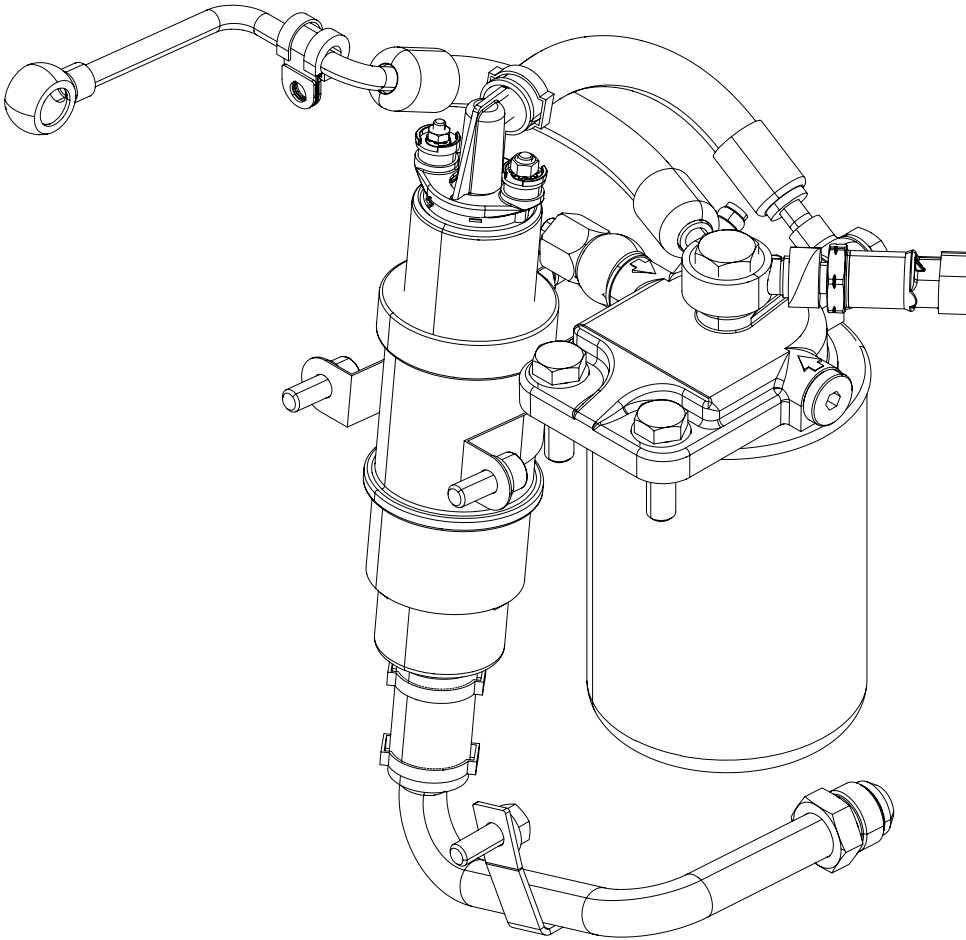


TA 0300

STEYR MARINE
OPTION

KIT FUEL SYS.ENGINE MOUNTED SAE DASH (6 CYL.)

MS2402010



* suitable for specific SE 6 Cyl. Engine applications



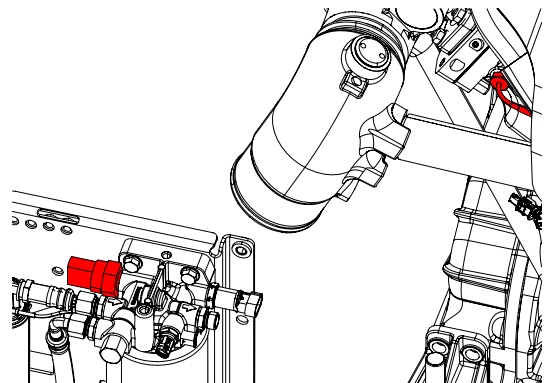
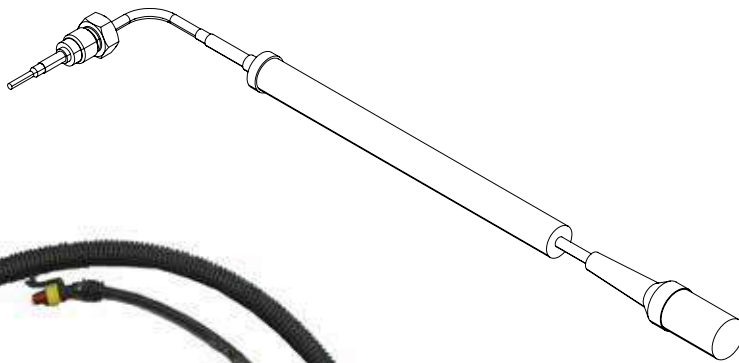
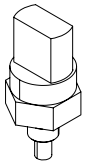


TA 0302

STEYR MARINE
OPTION

KIT FUEL COMPENSATION MARINE 6 CYL.

MS2402020



* suitable for all SE 6 Cyl. Engines



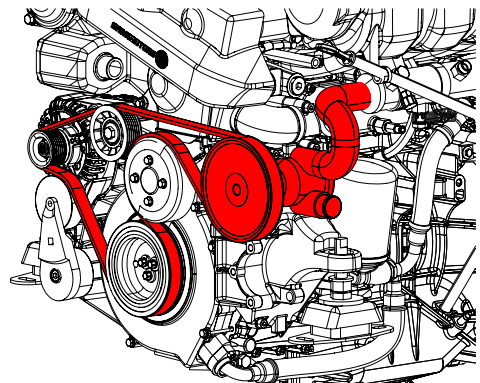
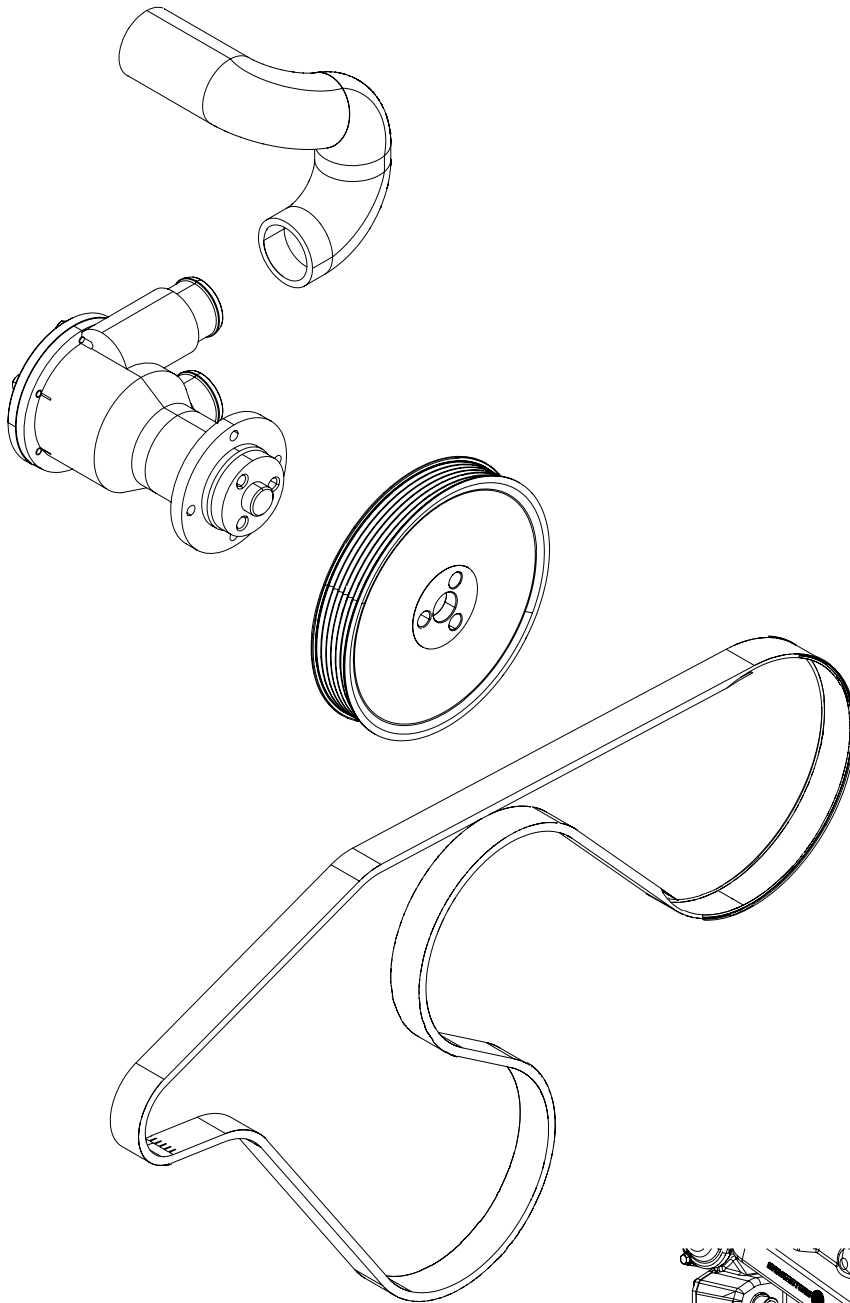


TA 0510

STEYR MARINE
OPTION

KIT RAW-WATER PUMP 4 CYL.

MS0301070



**** suitable for: SE144E38
SE164E40**



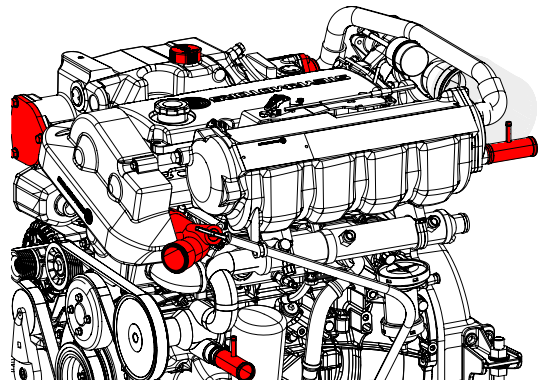
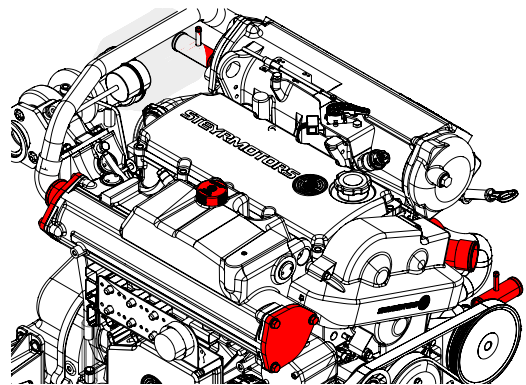
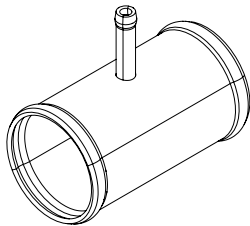
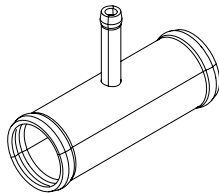
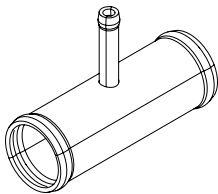
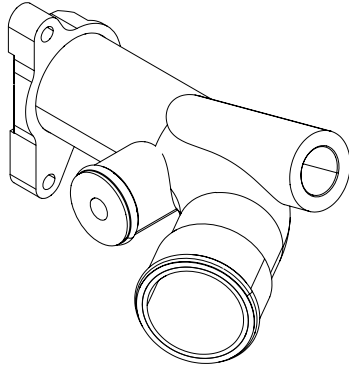
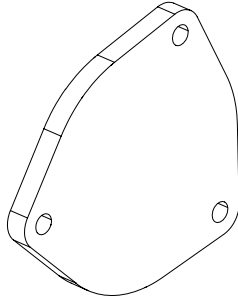
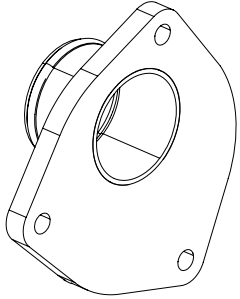


TA 0509

STEYR MARINE
OPTION

KIT PREPARATION KEEL COOLING 4 CYL.

MS0906040



**** suitable for: SE144E38
SE164E40**



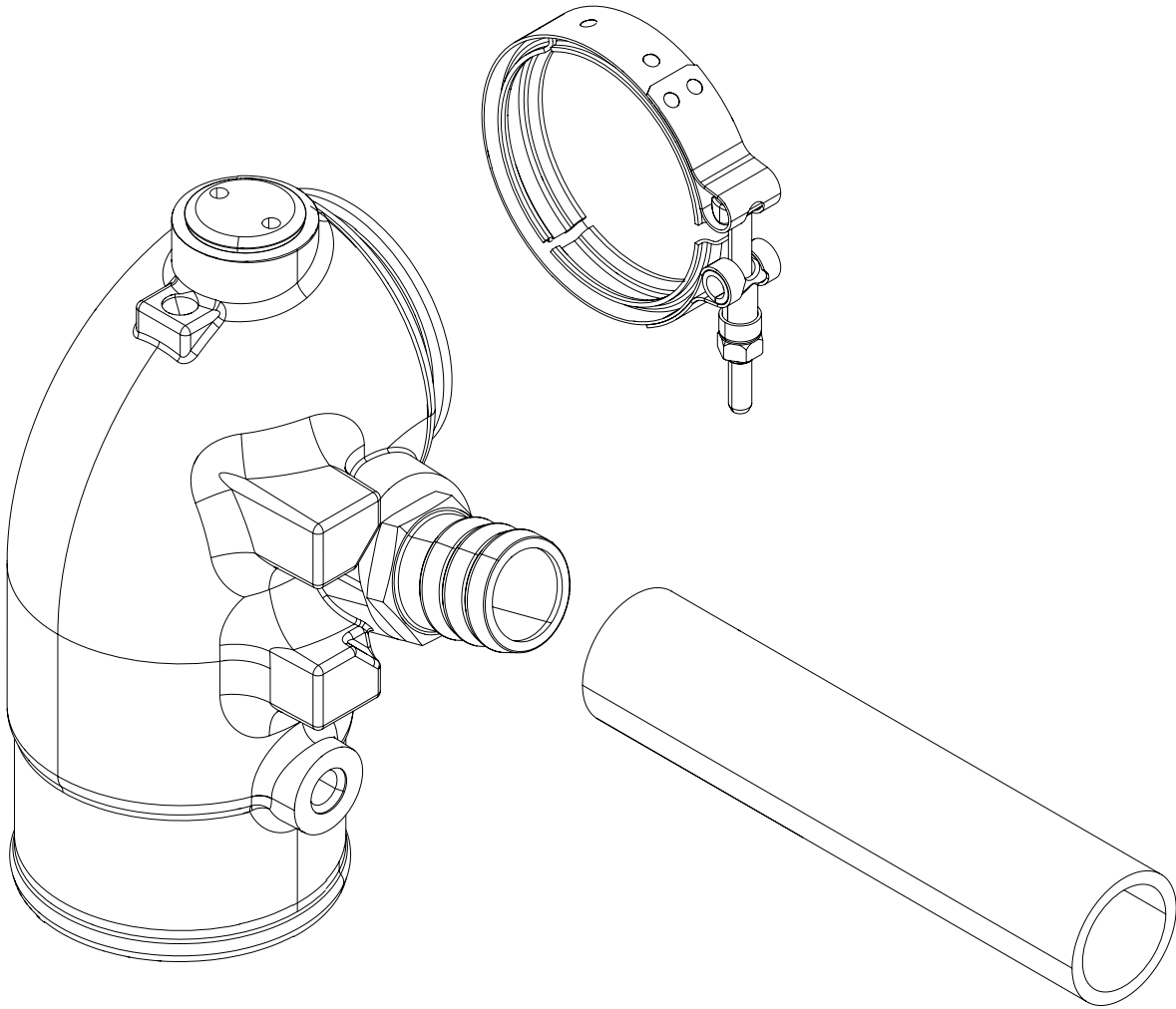


TA 0401

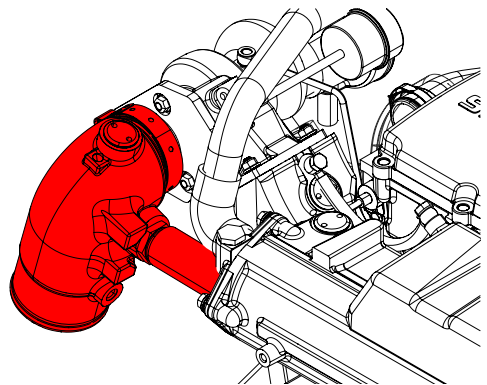
STEYR MARINE
OPTION

KIT EXHAUST ELBOW PIV. 90MM 3,5 INCH

MS1412020



**** suitable for: SE144E38
SE164E40**



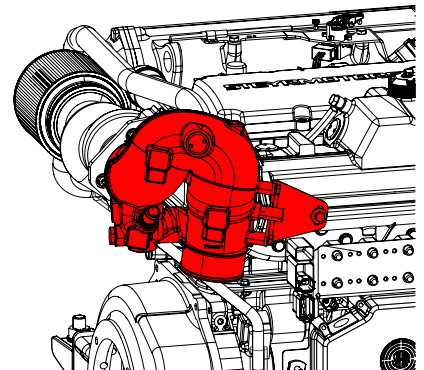
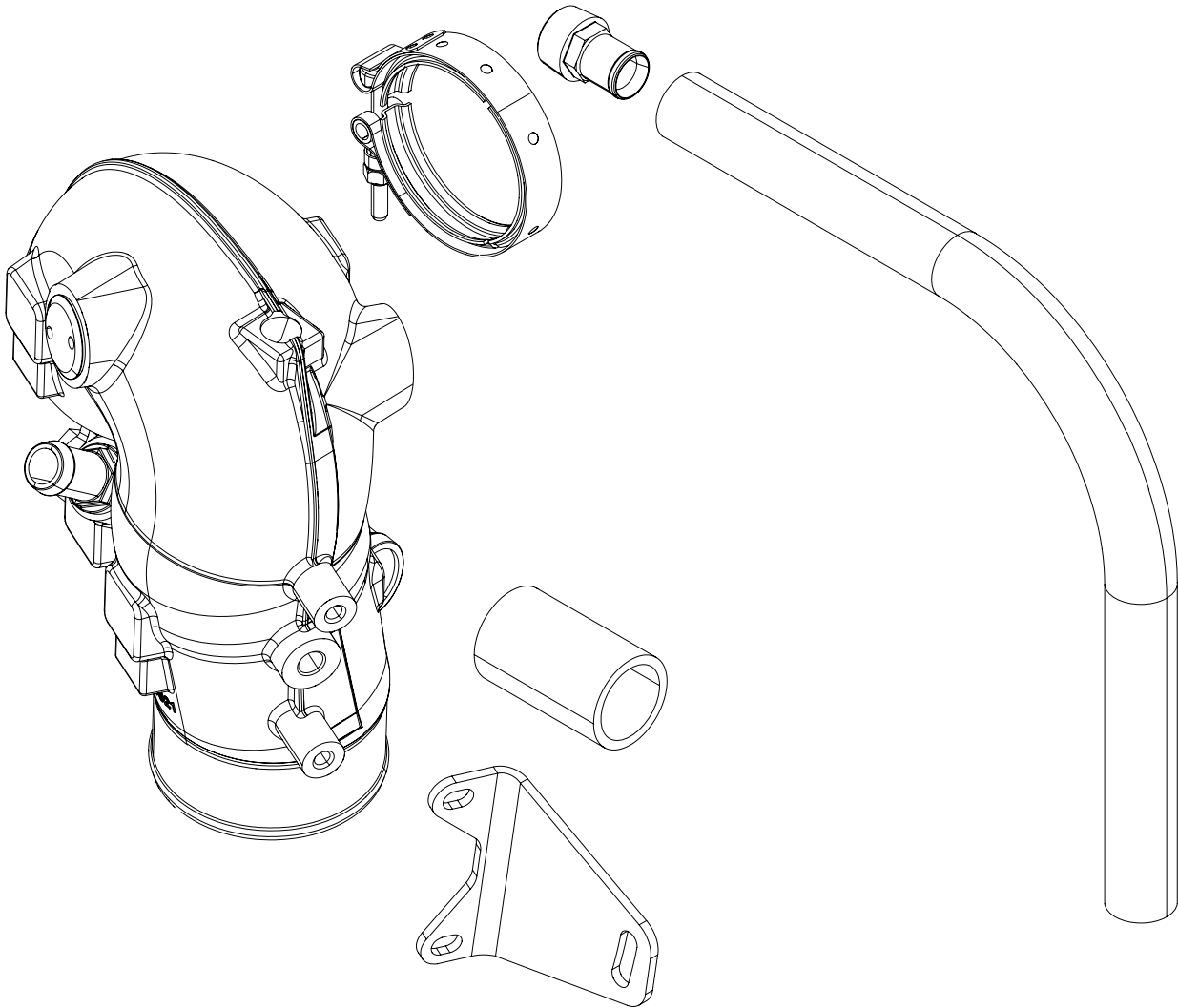


TA 0401

STEYR MARINE
OPTION

KIT HIGH RISER STERN DRIVE 90MM 3,5 INCH

MS1410010



**** suitable for: SE144E38
SE164E40**



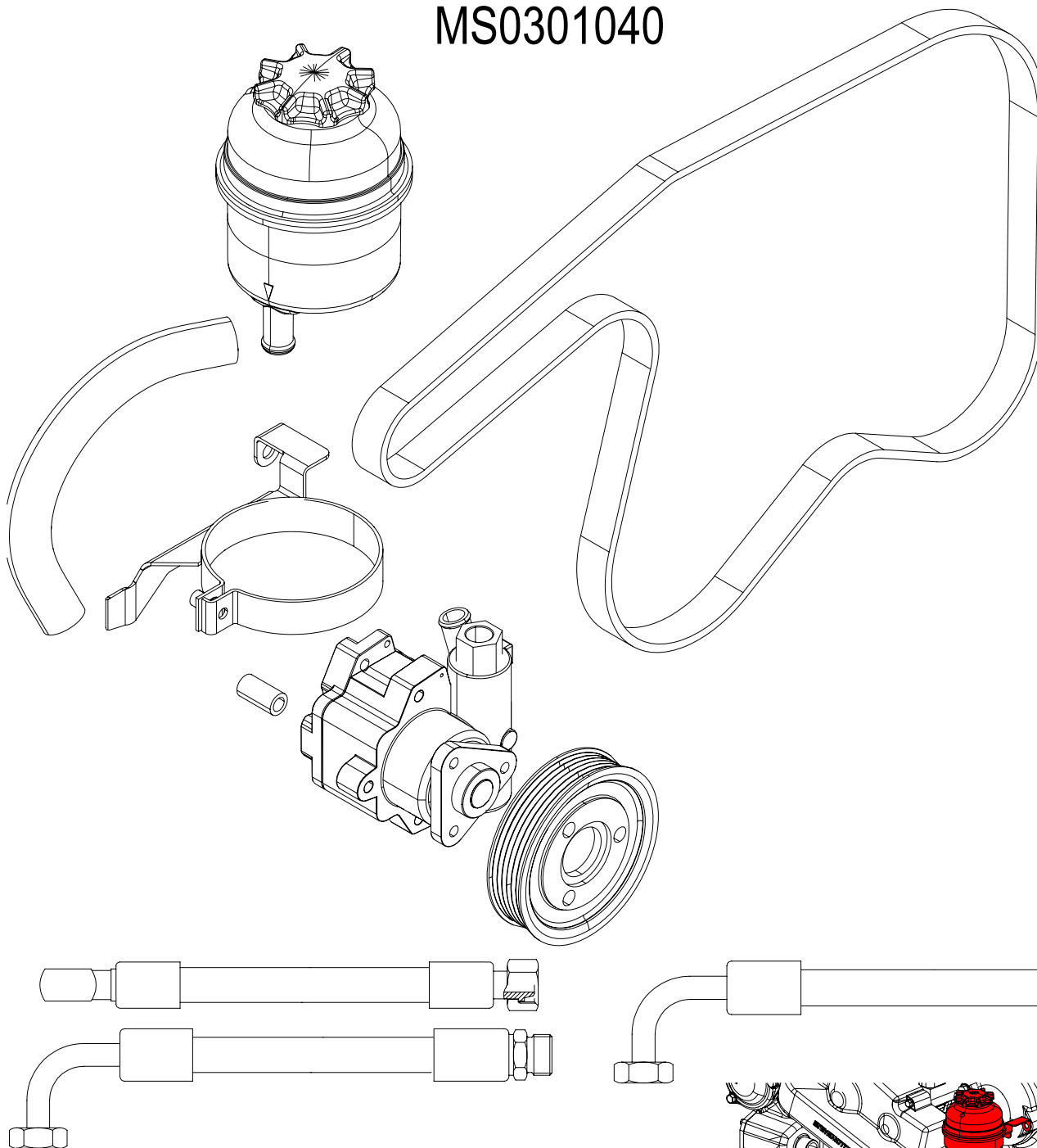


TA 1408

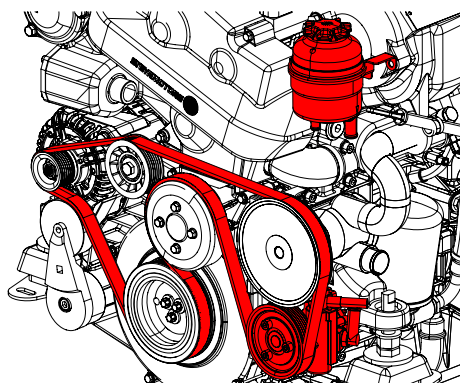
STEYR MARINE
OPTION

KIT HYDRAULIC PUMP 4 CYL.

MS0301040



**** suitable for: SE144E38
SE164E40**





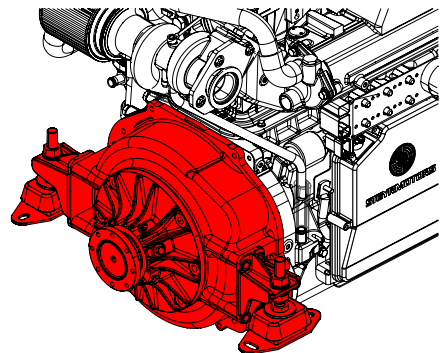
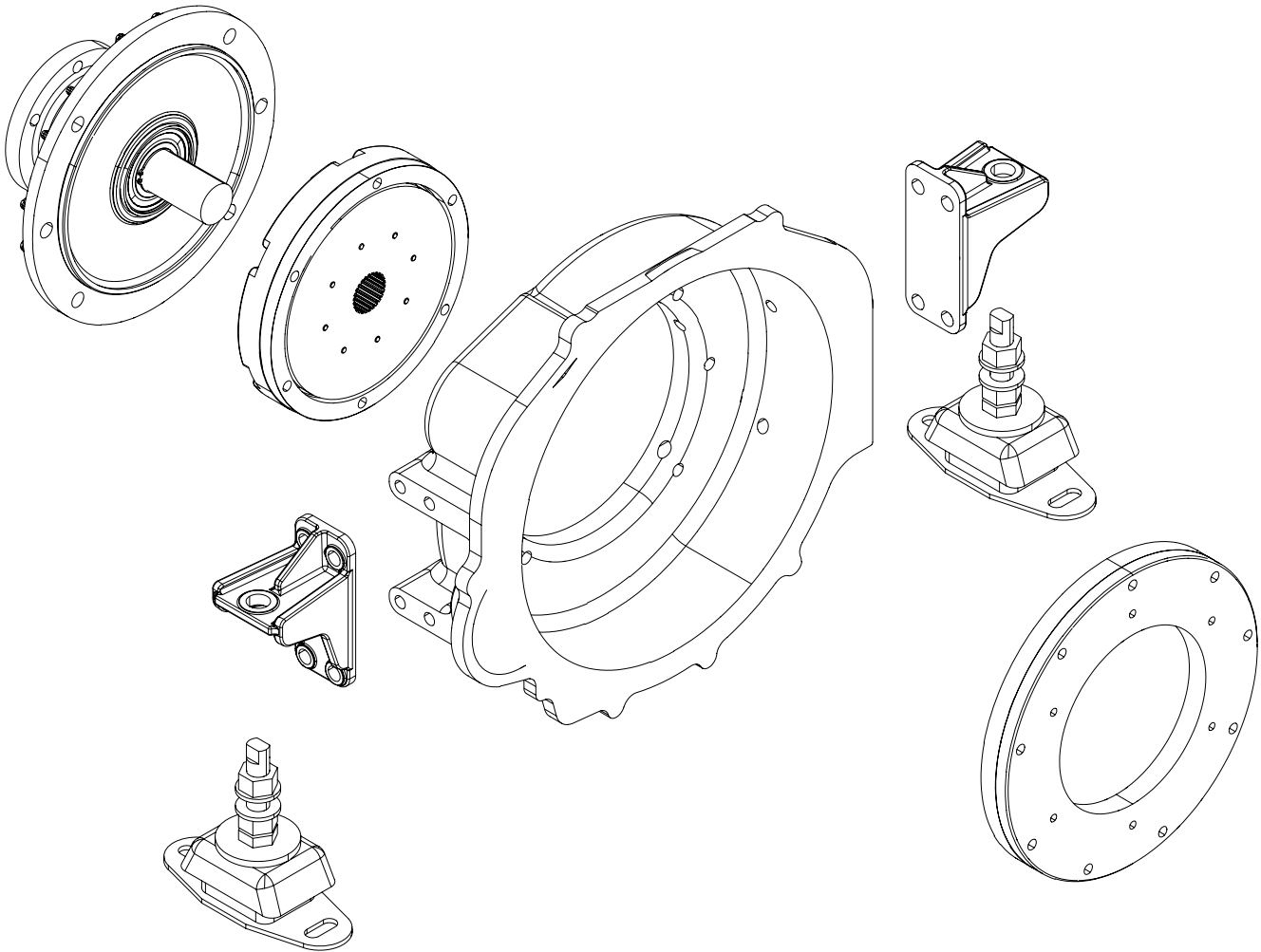


TA 0701

STEYR MARINE
OPTION

PROP.ADAP.F. SLIDING SHAFT 210MM

MA0301030 (6-Holes) 
MA0301040 (8-Holes) 



** suitable for: SE144E38
SE164E40



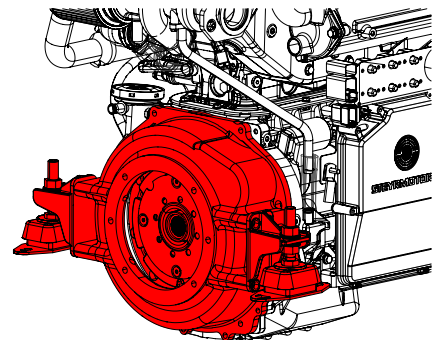
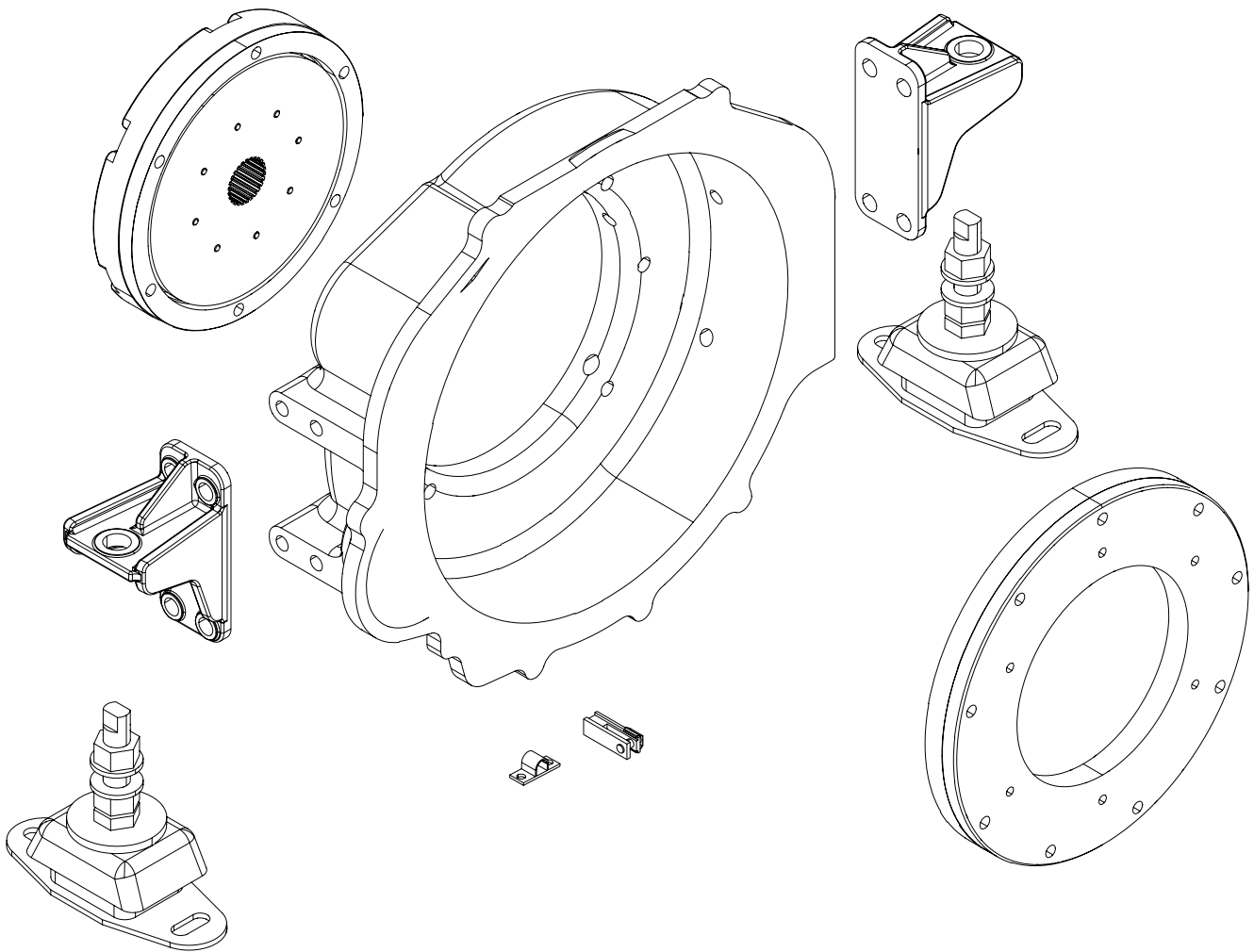


TA 0200

STEYR MARINE
OPTION

KIT BOBTAIL WITH COUPLING (4 CYL.)

MS0403010



**** suitable for: SE144E38
SE164E40**



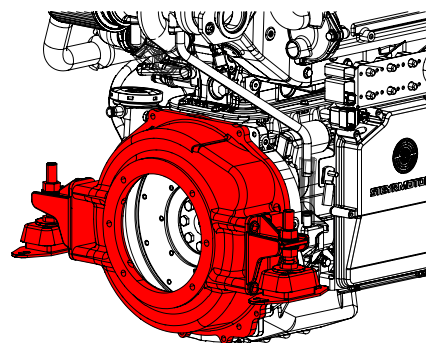
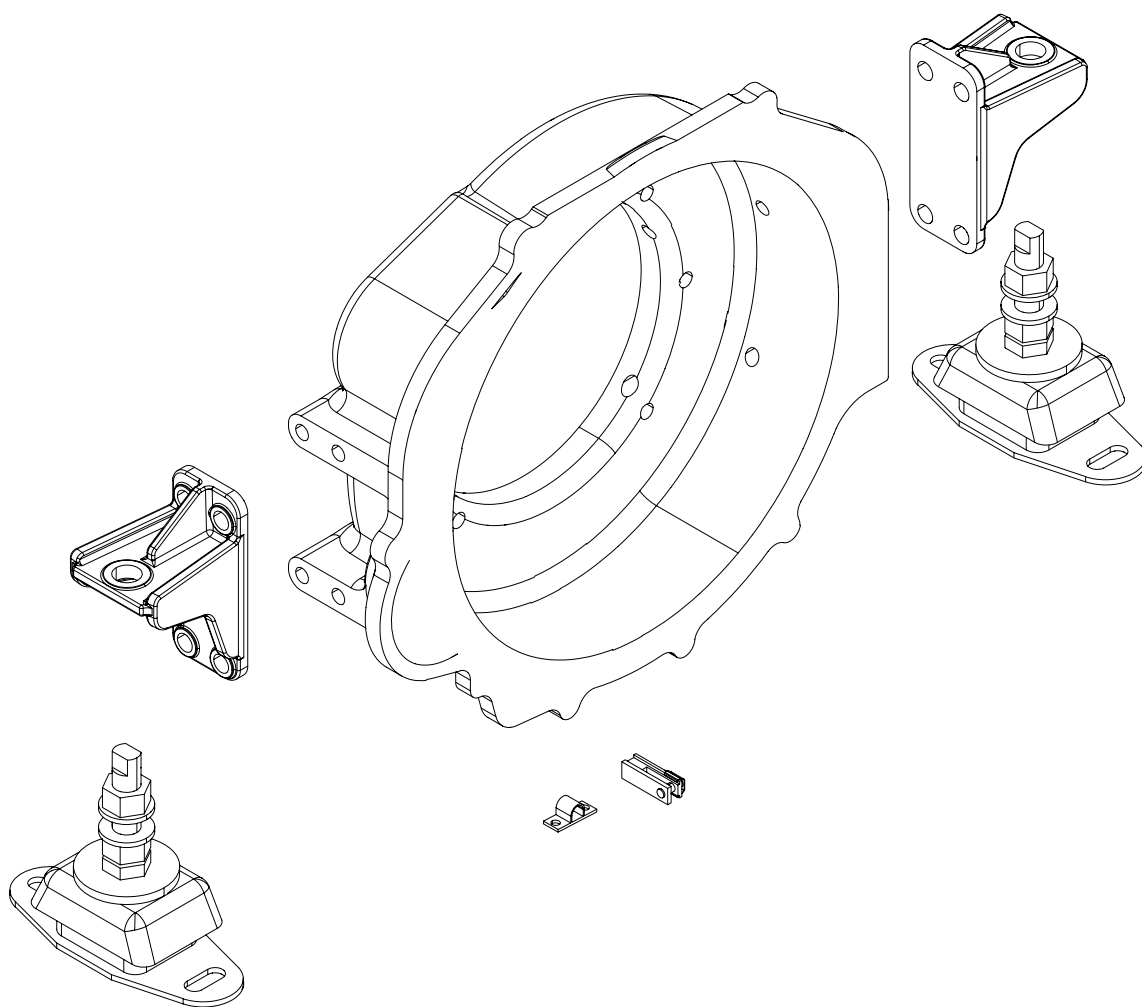


TA 0103

STEYR MARINE
OPTION

KIT BOBTAIL 4 CYL. (W/O COUPLING)

MS0710010



** suitable for: SE144E38
SE164E40



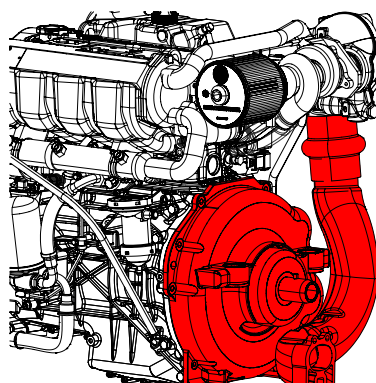
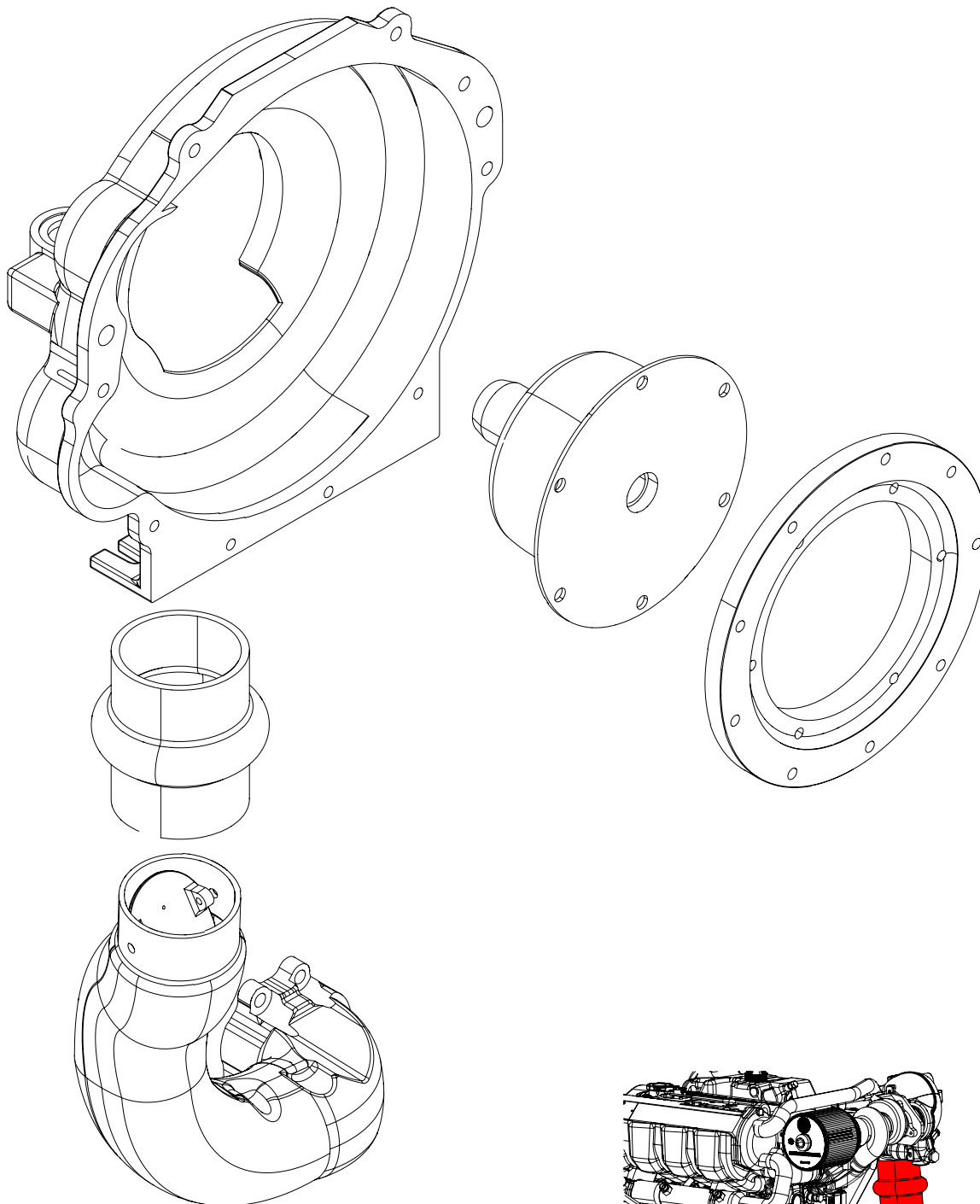


TA 0210

STEYR MARINE
OPTION

KIT REPOW. MERC. COMMERC.W.PIPE (4 CYL.)

MA0308020



**** suitable for: SE144E38
SE164E40**

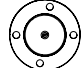


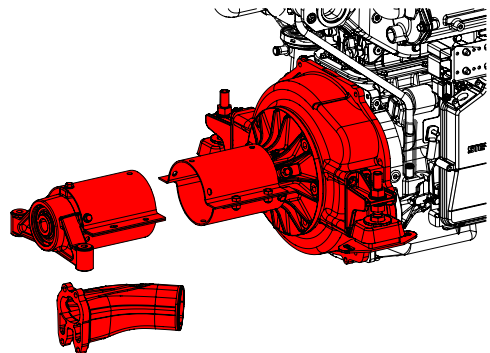
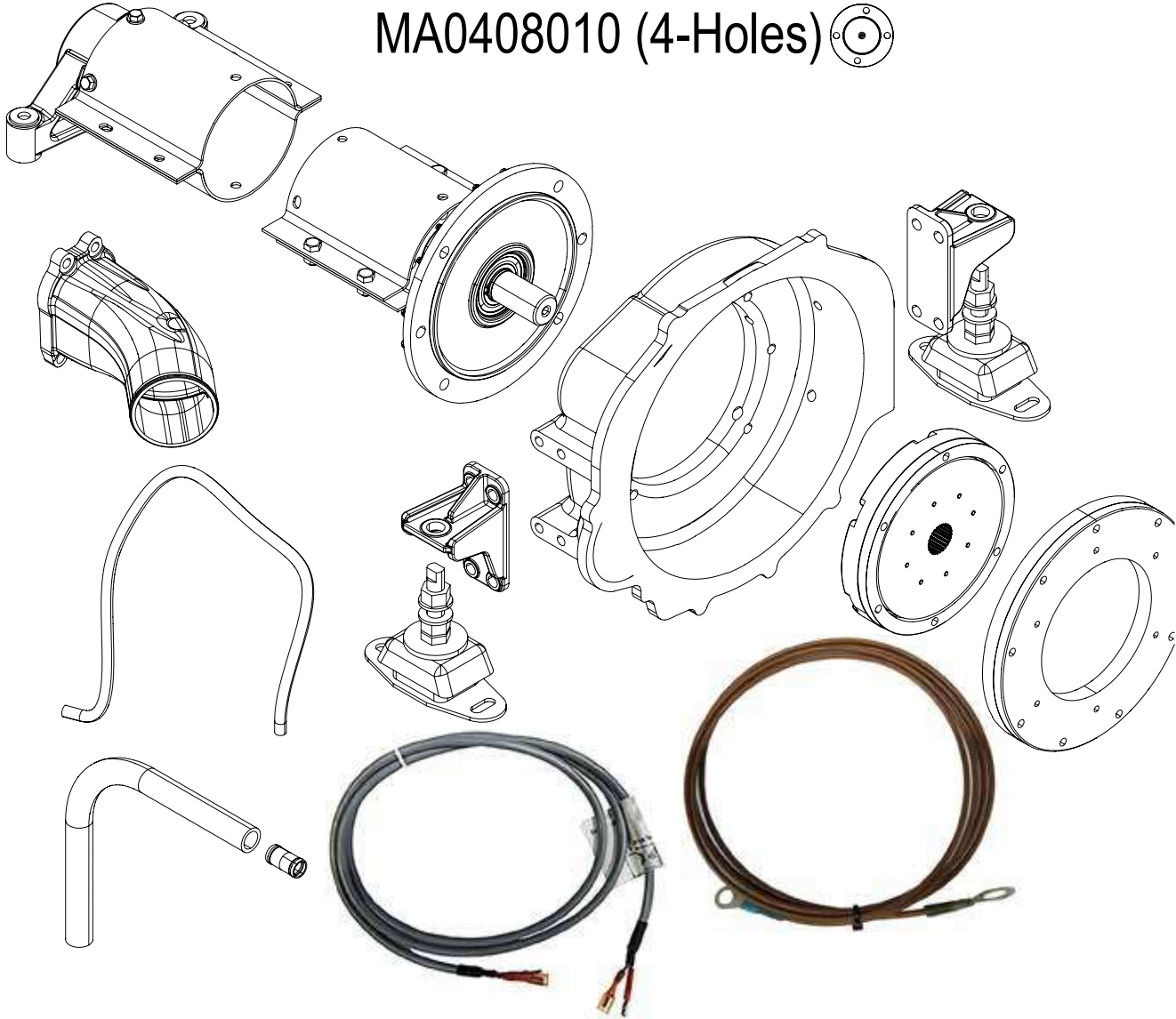


TA 0730

STEYR MARINE
OPTION

KIT DRIVE SHAFT EXTEN. W/O SHAFT (BRAVO)

MA0408010 (4-Holes) 



**** suitable for: SE144E38
SE164E40**



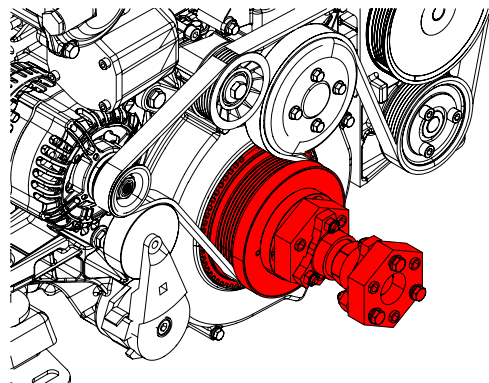
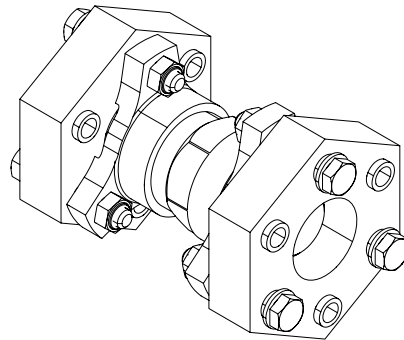
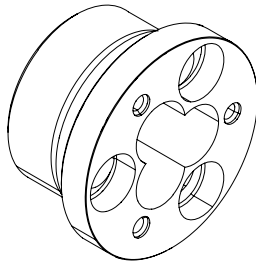
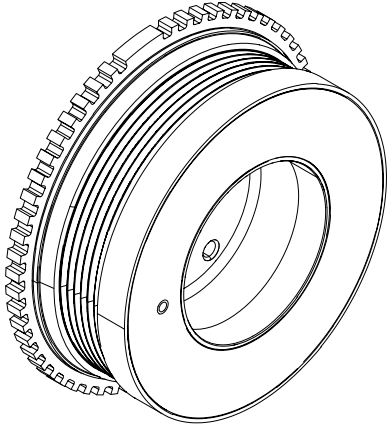


TA 0109

STEYR MARINE
OPTION

KIT PTO-FRONT SE 4 CYL.

MA2108010



** suitable for: SE144E38
SE164E40



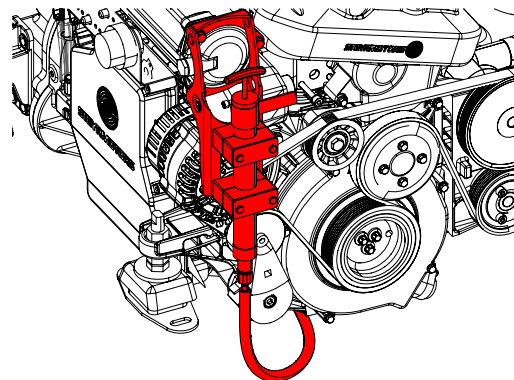
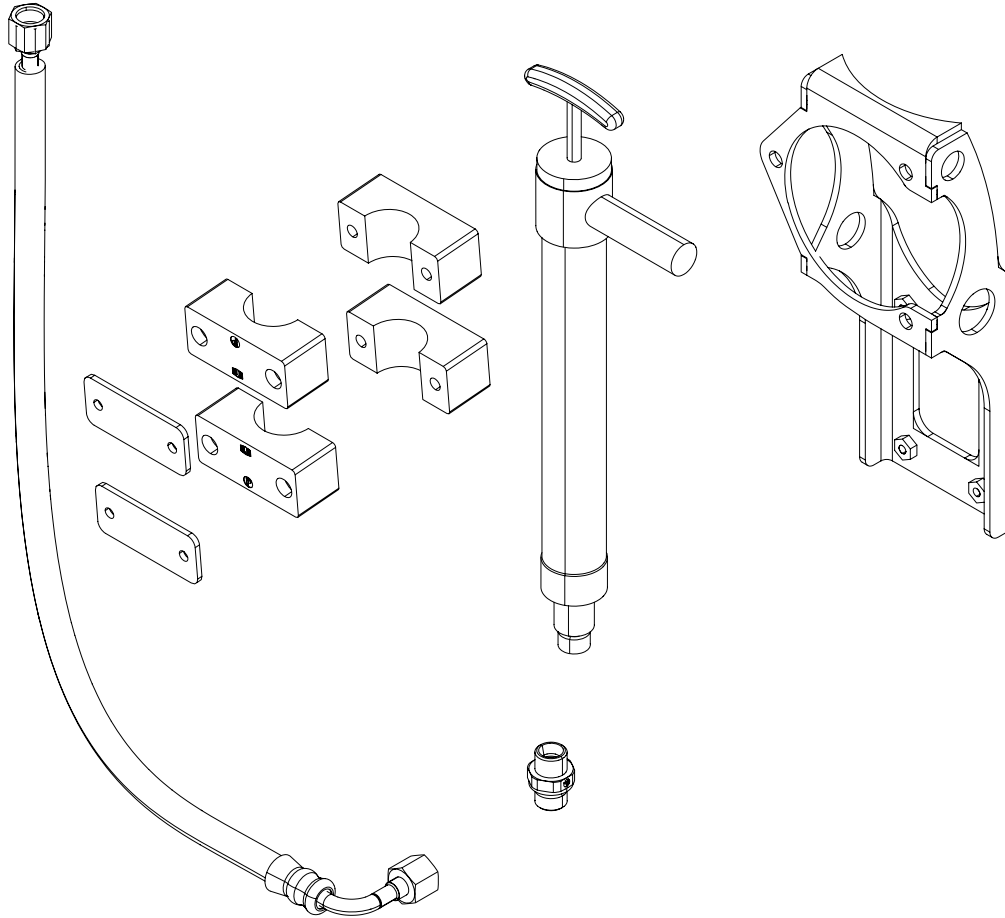


TA 5520

STEYR MARINE
OPTION

KIT OIL DRAIN PUMP HAND OPERAT. (4 CYL.)

MA0903020



**** suitable for: SE144E38
SE164E40**



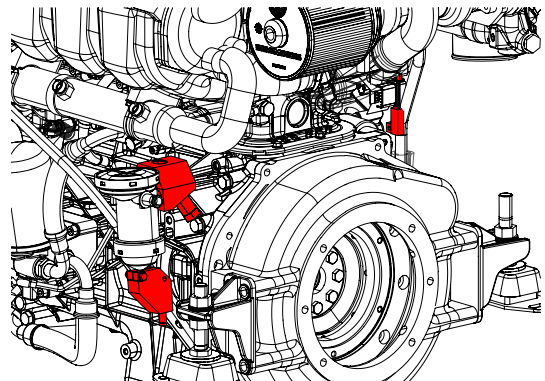
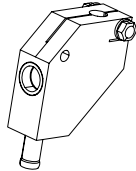
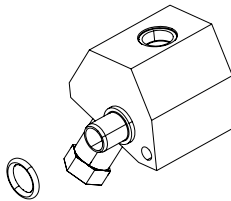
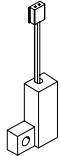


TA 0304

STEYR MARINE
OPTION

KIT SOLAS 4 CYL. EXCL. PANEL

MS0301010



**** suitable for: SE144E38
SE164E40**



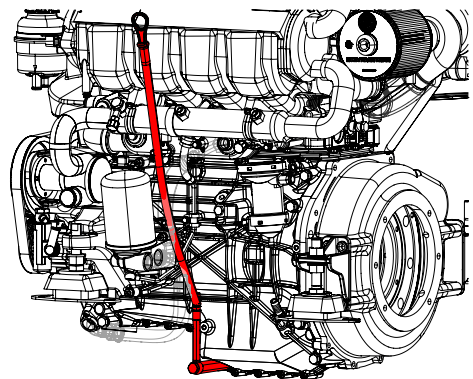
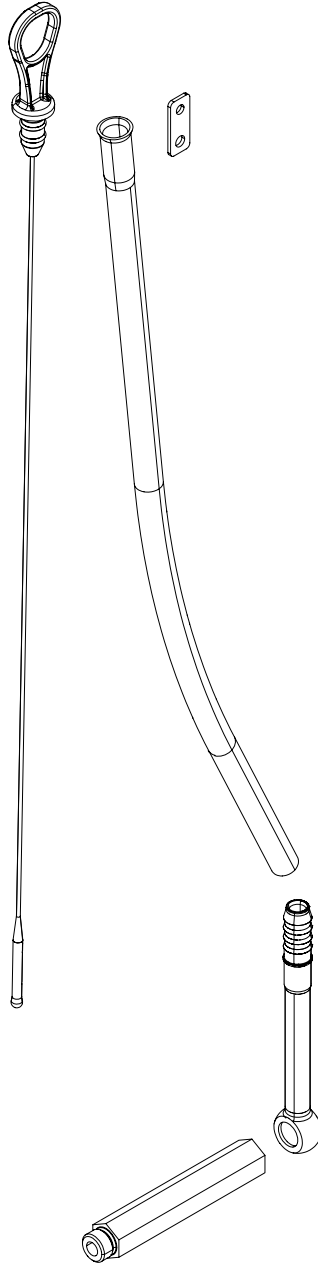


TA 0106

STEYR MARINE
OPTION

KIT FREE FALL 4 CYL.

MS0303180



**** suitable for: SE144E38
SE164E40**



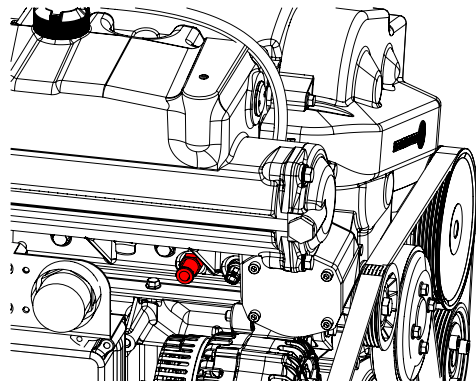
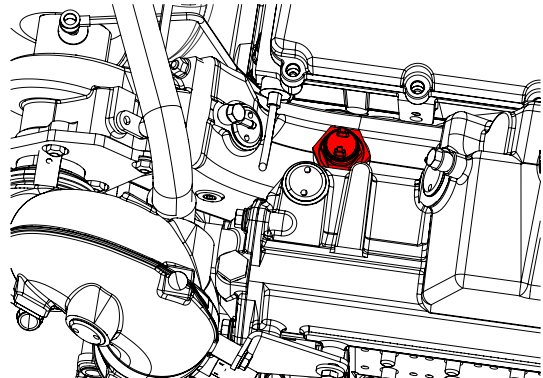
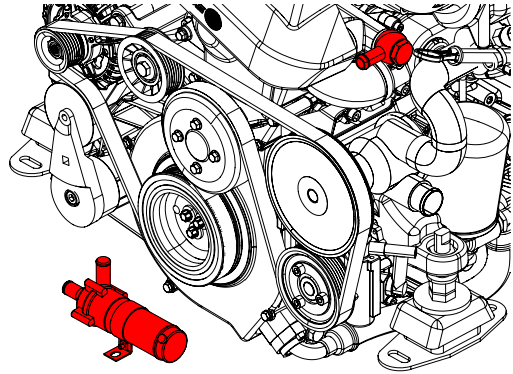
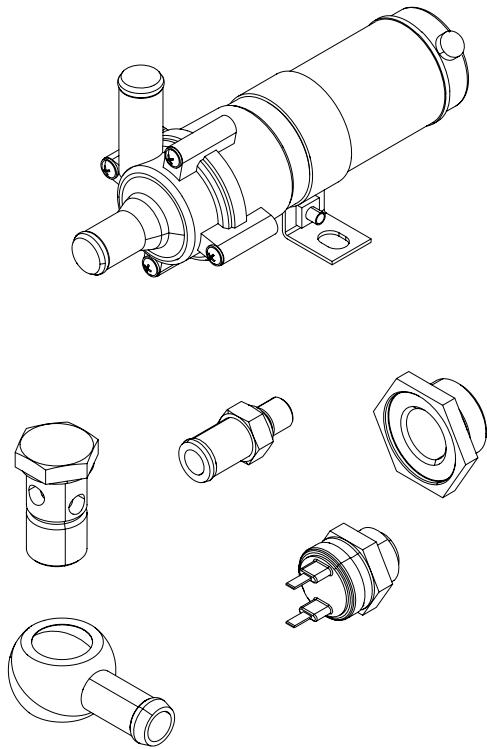


TA 6012

STEYR MARINE
OPTION

HOT WATER FITTING KIT (W/O COOLED TURBO)

MS0807010



**** suitable for: SE144E38
SE164E40**





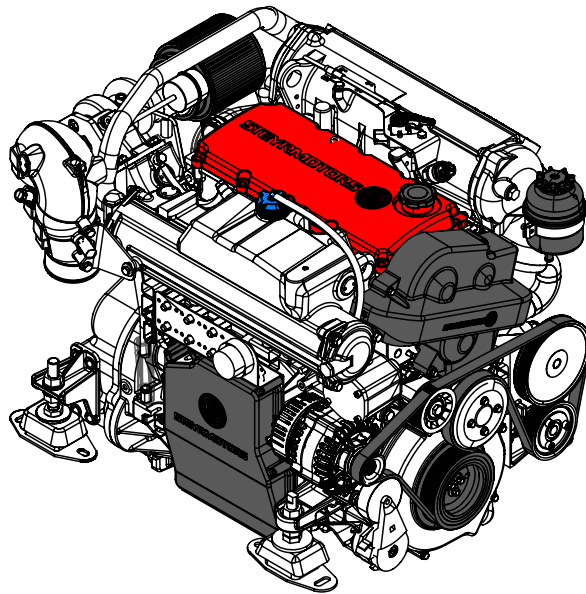
TA 8010

STEYR MARINE
OPTION

KIT ENGINE WHITE PAINTED (SE 4 CYL.)

MS1008010

ENGINE PAINT RAL 9010 (WHITE) 2kg



** suitable for: SE144E38
SE164E40



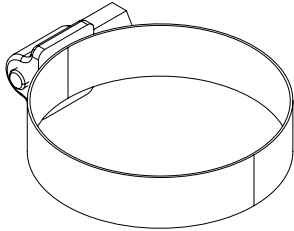


TA 0512

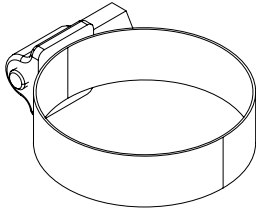
STEYR MARINE
OPTION

KIT HOSE CLAMP RMR SE 6 CYL.

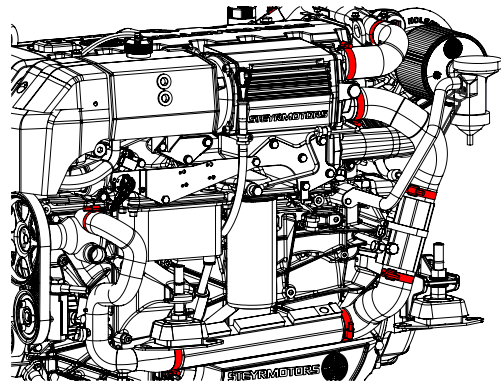
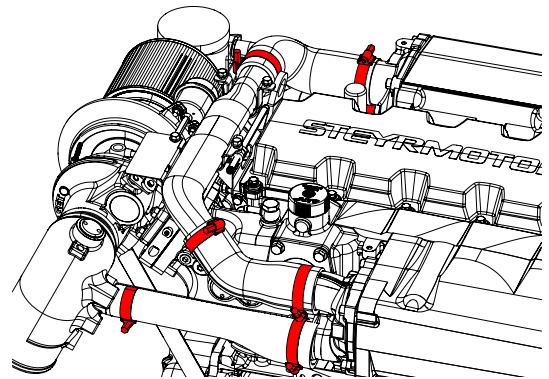
MS1702010



8x



4x



* suitable for all SE 6 Cyl. Engines



